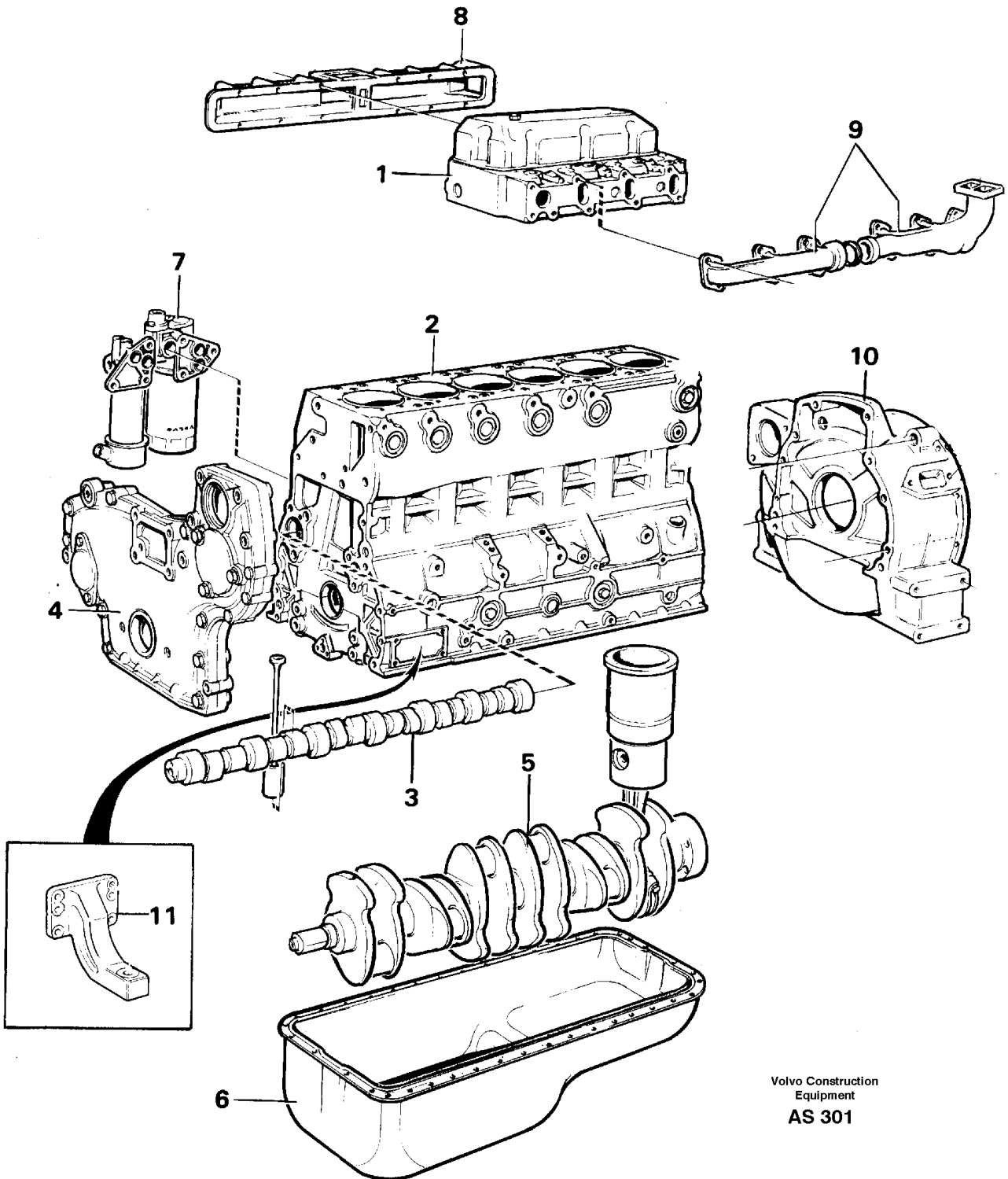


Date: 2014/1/27	Image id: AS301	Catalogue: 97790	Model: L70C
Brand: Volvo	Serial: 13116-16500, 70007-70300	Group/Section: 210/100	Title: Engine, assembly



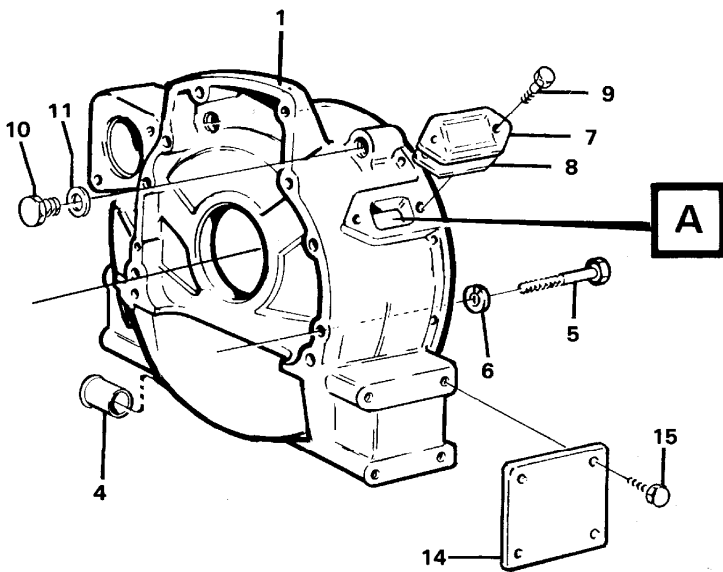
Volvo Construction
Equipment
AS 301

Q1-Q5	Option	Option description	
-------	--------	--------------------	--

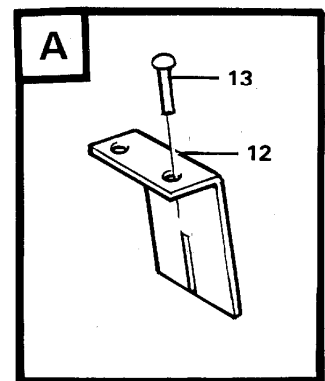
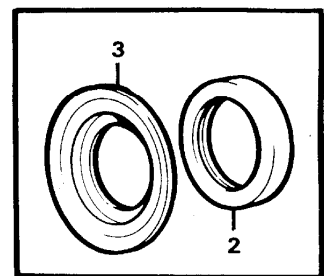
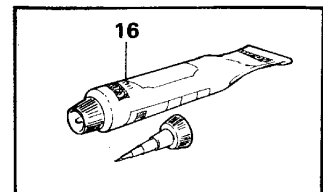
Q1 TD61GD			
Q2 TD63KDE			

Pos	Part	Q1	Q2	Q3	Q4	Q5	PS	Kit	Description	Option(s)	Remark
	VOE15003904	1							Engine		(VOE497998)TD61GD
	VOE15003907		1						Engine		(VOE497999)TD63KDE
1									Cylinder head		See ref 211/50
2									Cylinder block		See ref 212/50
3									Camshaft		See ref 215/100
4									Timing gear casing		See ref 215/50
5									Crank mechanism		See ref 216/50
6									Oil sump		See ref 217/50
7									Oil filter		See ref 222/50
8		1							Inlet manifold		See ref 251/50
9		1	1						Exhaust pipe		See ref 251/100
10		1	1						Flywheel housing		(VOE4772142) See ref 210/150
11									Engine mounting		See ref 218/50

Date: 2014/1/27	Image id: AS299	Catalogue: 97790	Model: L70C
Brand: Volvo	Serial: 13116-16500, 70007-70300	Group/Section: 210/150	Title: Flywheel housing



Volvo Construction
Equipment
AS 299



Pos	Part	Q1	Q2	Q3	Q4	Q5	PS	Kit	Description	Option(s)	Remark
1	VOE11030715	1							Flywheel housing		
2	VOE477119	1							•Crankshaft seal		
3	VOE4770016	1							•Oil Catcher		
4	VOE739393	1							•Tube		
5	VOE13966361	2							Flange screw		L=55MM
	VOE13966363	2							Flange screw		L=65MM
	VOE13966365	3							Flange screw		L=80MM
	VOE13966367	1							Flange screw		L=100MM
	VOE13966371	1							Flange screw		L=140MM
	VOE13974572	1							Flange screw		L=160MM
6	VOE955899	10							Washer		
7	VOE4772168	1							Cover		

<https://www.ebooklibonline.com>

Hello dear friend!

Thank you very much for reading.

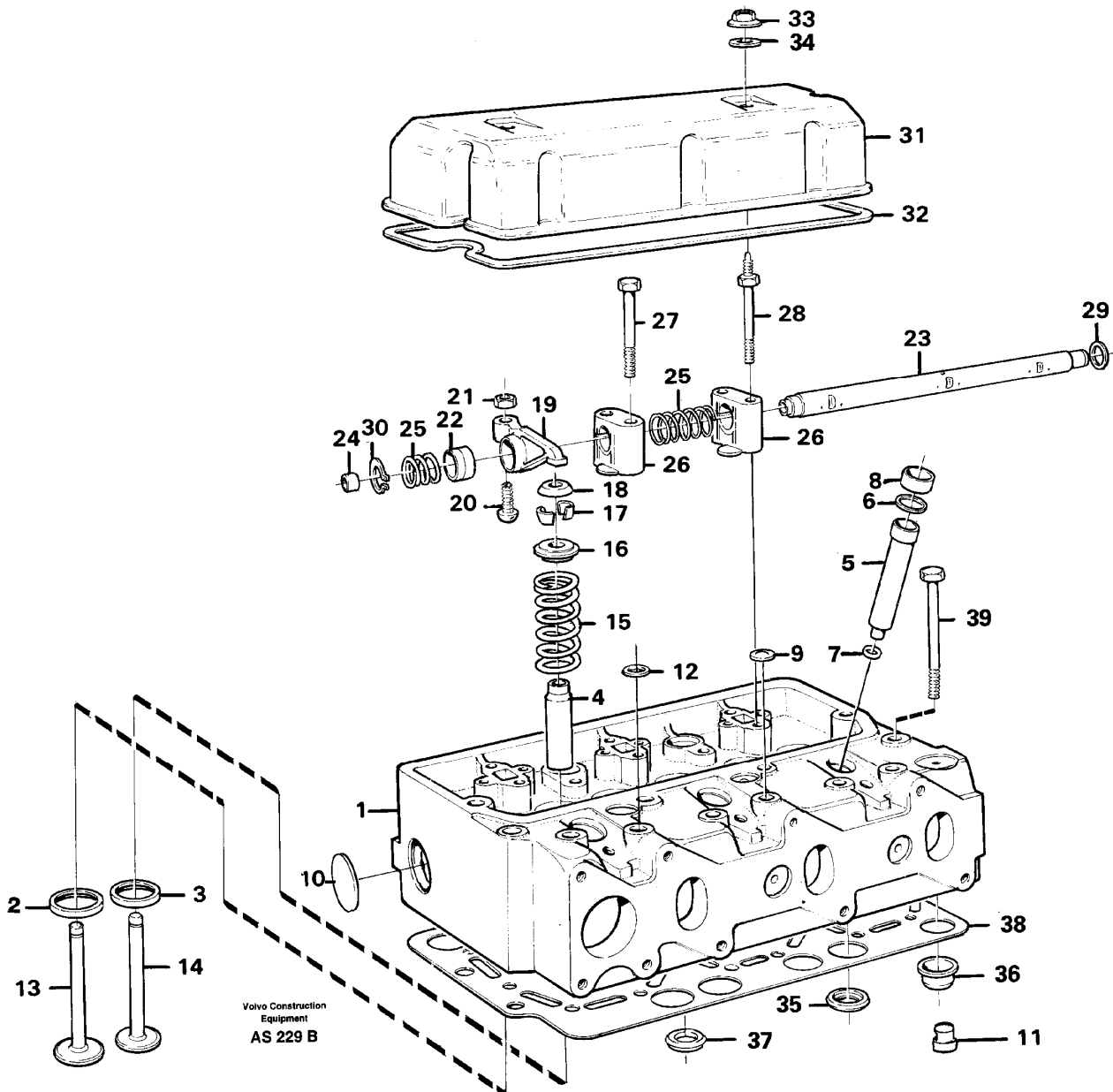
Enter the link into your browser.

The full manual is available for immediate download.

<https://www.ebooklibonline.com>

8	VOE4804167	1							Gasket		
9	VOE13946544	2							Screw		
10	VOE960630	1							Plug		
11	VOE13969011	1							Gasket		
12	VOE4771328	1							Setting indicator		
13	VOE905654	2							Drive screw		
14	VOE11030887	2							Cover		
15	VOE13946817	8							Screw		
16	VOE1161277	REQ							Sealant		20GRAM

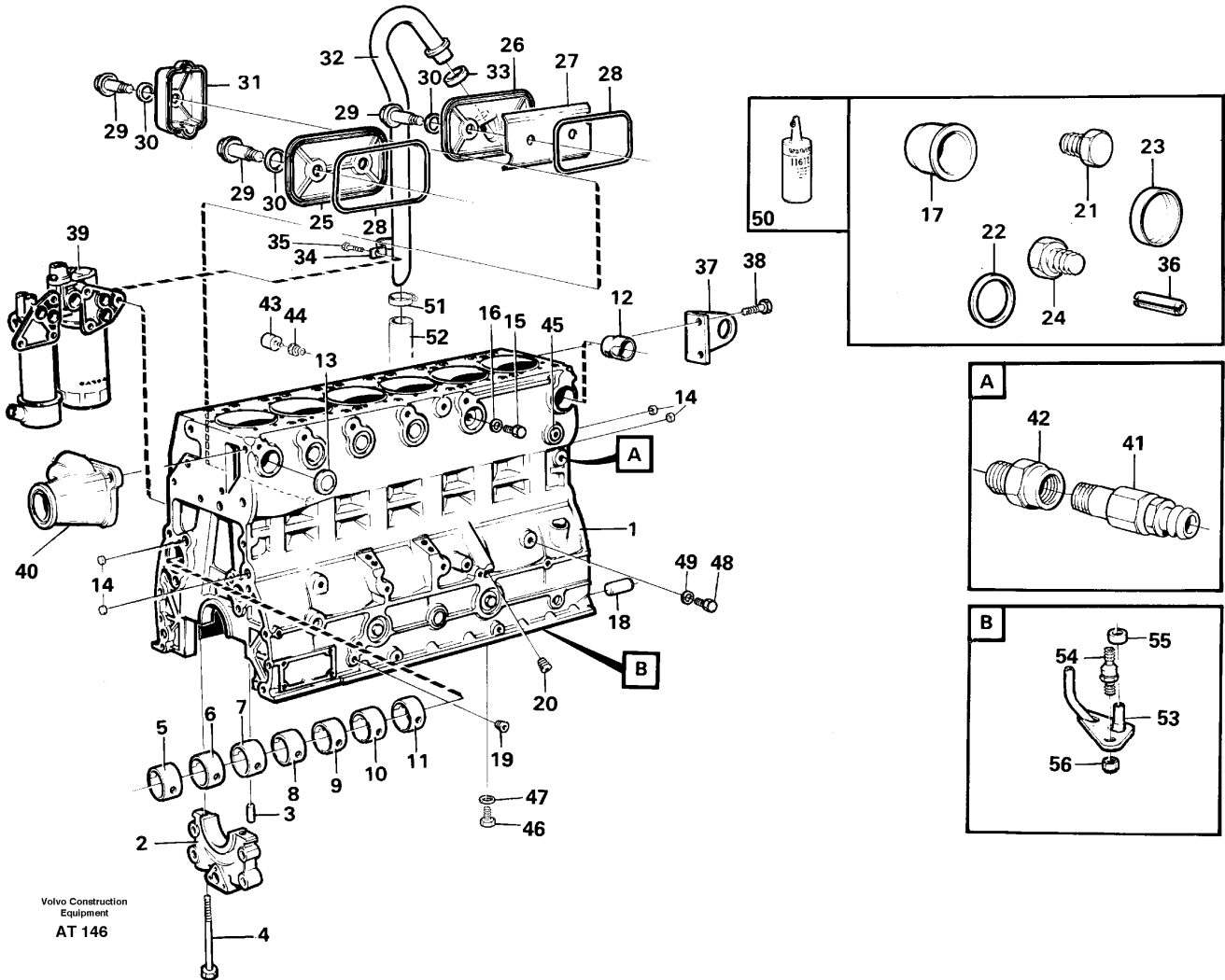
Date: 2014/1/27	Image id: AS229B	Catalogue: 97790	Model: L70C
Brand: Volvo	Serial: 13116-16500, 70007-70300	Group/Section: 211/50	Title: Cylinder head



Q1-Q5	Option	Option description	
Q1	TD61GD		
Q2	TD63KDE		

Pos	Part	Q1	Q2	Q3	Q4	Q5	PS	Kit	Description	Option(s)	Remark
	VOE420508	2							Cylinder head		

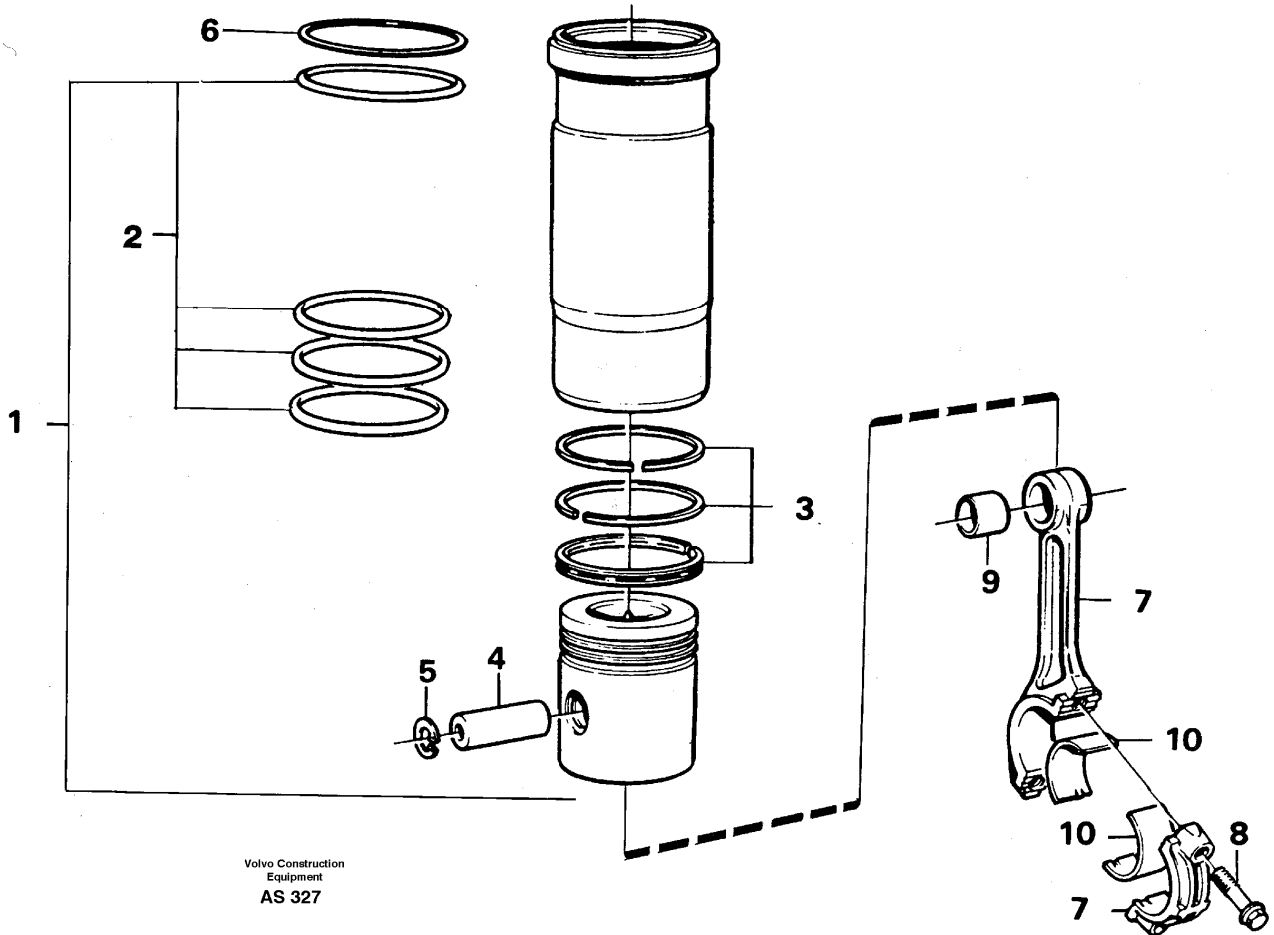
Date: 2014/1/27	Image id: AT146	Catalogue: 97790	Model: L70C
Brand: Volvo	Serial: 13116-16500, 70007-70300	Group/Section: 212/100	Title: Cylinder block



Pos	Part	Q1	Q2	Q3	Q4	Q5	PS	Kit	Description	Option(s)	Remark
1	VOE420990	1							Cylinder block		
2		7					NS		•Bearing carrier		
3	VOE422426	1							••Pin		
4	VOE465899	14							••Screw		
5	VOE422076	1							•Bushing		
6	VOE422077	1							•Bushing		(VOE7422077)
7	VOE422078	1							•Bushing		
8	VOE11000014	1							•Bushing		(VOE422079)
9	VOE422080	1							•Bushing		(VOE7422080)
10	VOE422081	1							•Bushing		
11	VOE422082	1							•Bushing		

12	VOE421154	6							•Nozzle		
13	VOE13968955	4							•Expansion plug		
14	VOE955082	6							•Cap plug		
15	VOE467367	2							•Plug		(VOE467649)
16	VOE1556907	2							•Gasket		(VOE469328)
17	VOE422369	7							•Plug		
18	VOE191171	2							•Pin		(VOE191171)
19	VOE952075	2							•Plug		6,3500 MM
20	VOE968145	3							•Plug		9,5250 MM
21	VOE960630	1							Plug		M14x1,5
22	VOE13969011	1							Gasket		
23	VOE955082	1							Cap plug		
24	VOE479979	4							Plug		3,1750 MM
25	VOE420120	1							Inspection lid		
26	VOE420121	1							Hatch		
27	VOE3978045	1							Splash plate		(VOE471858)
28	VOE421121	2							Gasket		
29	VOE471855	5							Screw		
30	VOE471856	5							Sealing ring		
31	VOE471854	1							Cover		
32	VOE848497	1							Breather pipe		
33	VOE421158	1							Sealing ring		
34	VOE849059	1							Clamp		
35	VOE946440	1							Flange screw		
36	VOE951974	1							Spring pin		
37		2					NS		Lifting eye		BAK/REAR
38	VOE13965191	4							Screw		(VOE965191)M12x30
39		1							Oil filter housing		See ref 222/50
40		1							Spacer		See ref 262/50
41	VOE13947893	1							Crane		(VOE947893)
42	VOE479954	1							Nipple		(VOE7190130)
43	VOE11039249	1							Pressure monitor		SE 16
44	VOE862109	1							Nipple		
45	VOE420589	1							Expansion plug		
46	VOE966146	1					SS		Plug		
47	VOE13947629	1							Plane gasket		
48	VOE13965768	1							Plug		
49	VOE13947281	1							Gasket		
50	VOE1161277	REQ							Sealant		20G
	VOE11713514	REQ							Sealant		(VOE1161231)304ML
51	VOE943475	1							Hose clamp		
52	VOE927661	REQ							Rubber hose		L=450 MM
53	VOE477437	6							Nozzle		
54	VOE471596	6							Stud		
55	VOE466874	6							Sealing ring		
56	VOE13948570	6							Lock nut		

Date: 2014/1/27	Image id: AS327	Catalogue: 97790	Model: L70C
Brand: Volvo	Serial: 13116-16500, 70007-70300	Group/Section: 213/50	Title: Cylinder liner

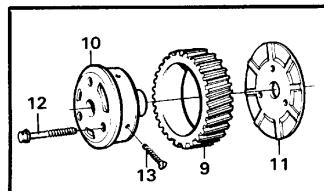
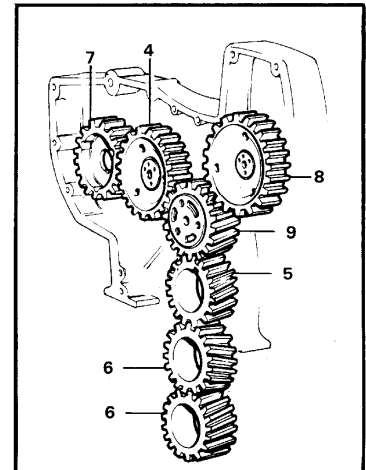
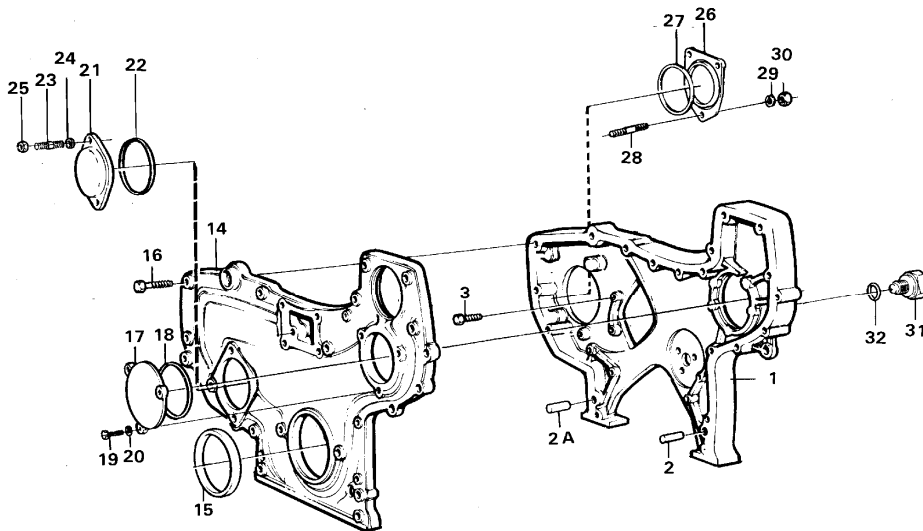


Q1-Q5	Option	Option description	
Q1 TD61GD			
Q2 TD63KDE			

Pos	Part	Q1	Q2	Q3	Q4	Q5	PS	Kit	Description	Option(s)	Remark
1	VOE275394	6							Cylinder liner kit		
	VOE275648		6				SS		Cylinder liner kit		ENG - 139631
	VOE276929		6						Cylinder liner kit		ENG 139632 -
		6	6				NS		•Cylinder liner		
2	VOE271161	6	6						•Seg Ring Kit		(VOE275772)
		6	6				NS		••Sealing strip		UPPER
		18	18				NS		••Sealing strip		LOW
3	VOE270713	6							•Piston Ring Kit		(VOE275376)
	VOE276310		6						•Piston Ring Kit		

4	VOE3978023	6	6						•Piston Pin		
5	VOE914523	12	12						•Snap Ring		
6	VOE465394	REQ	REQ						Shim		THICK=0,20MM
	VOE465395	REQ	REQ						Shim		THICK=0,30MM
	VOE465396	REQ	REQ						Shim		THICK=0,50MM
7	VOE3092237	6	6						Connecting Rod		(VOE465812)ENG - 144544
	VOE8192120	6	6				SS		Connecting Rod		ENG 144545 -
8	VOE465815	2	2						•Screw		
9	VOE465816	1	1						•Bushing		ENG - 144544
	VOE8192121	1	1						•Bushing		ENG 144545 -
10	VOE270139	6	6						Piston Bearing		STD
	VOE270140	6	6						Big End Brg Kit		0.25MM U SZ
	VOE270141	6	6						Big End Brg Kit		0.50MM U SZ
	VOE270142	6	6						Big End Brg Kit		0,75MM U SZ

Date: 2014/1/27	Image id: AS232	Catalogue: 97790	Model: L70C
Brand: Volvo	Serial: 13116-16500, 70007-70300	Group/Section: 215/50	Title: Timing gear casing



Volvo Construction
Equipment
AS 232

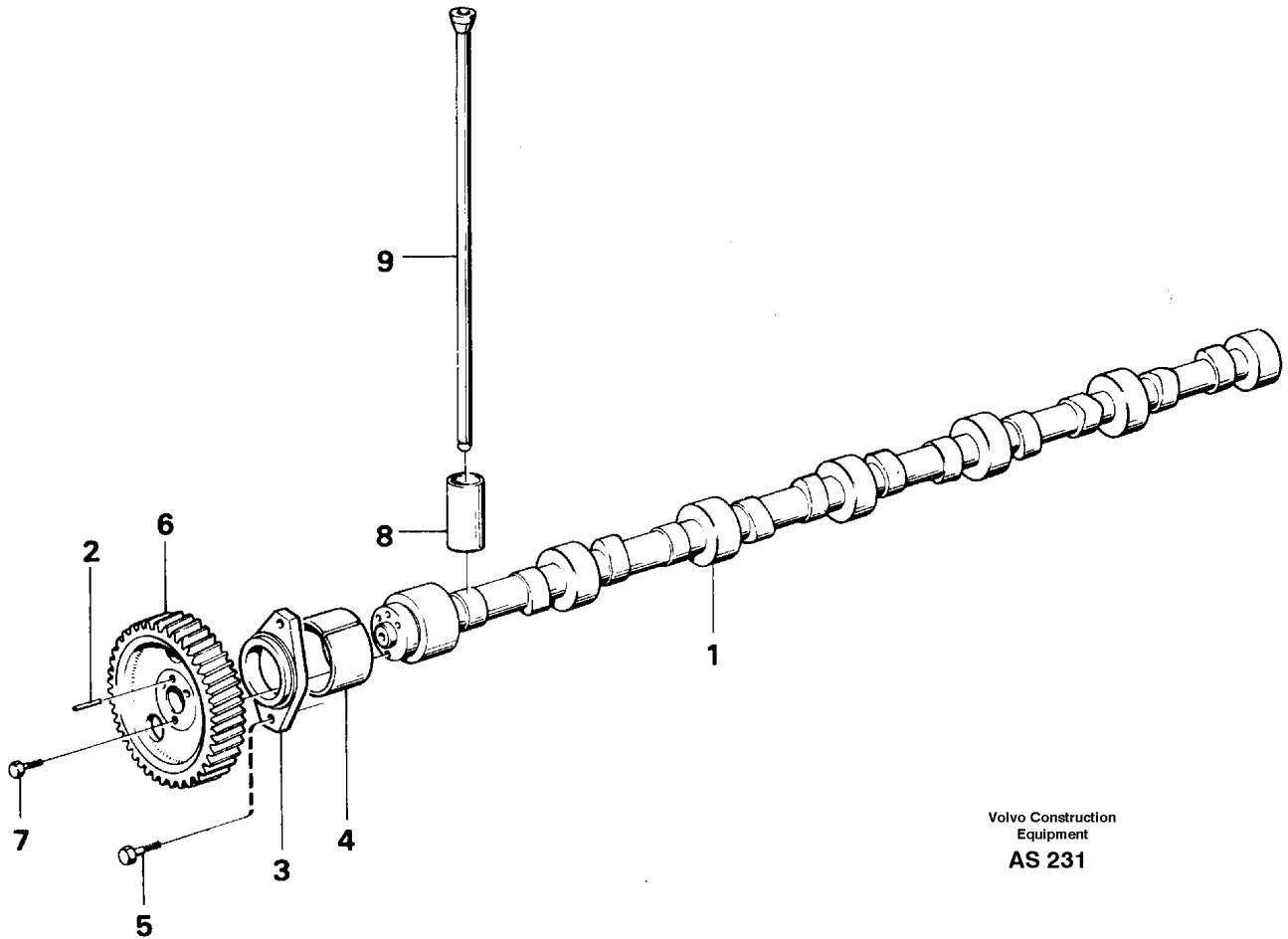
Pos	Part	Q1	Q2	Q3	Q4	Q5	PS	Kit	Description	Option(s)	Remark
1	VOE465797	1							Tmg Gear Casing		
2	VOE13941510	1							Pin		(VOE941510)
2A	VOE13941511	1							Pin		(VOE941511)
3	VOE471534	2							Screw		L=28MM
	VOE471535	2							Screw		L=58MM
4		1							Gear		See ref 215/100
5		1							Gear		See ref 216/50
6		2							Oilpump gear		See ref 221/50
7		1							Compressor gear		
8		1							Gear,inject.pump		See ref 236/50
9	VOE8192518	1							Idler Gear		(VOE471552)
		1					NS		•Bearing		
10	VOE422766	1					SS		Pin		(VOE467463)
11	VOE478951	1							Thrust Washer		(VOE467529)
12	VOE471554	3							Screw		

13	VOE471555	3							Screw		
14	VOE8192590	1							Tmg Gear Cover		(8192052)
15	VOE477118	1							•Sealing ring		
16	VOE13947760	7							Flange screw		(VOE947760)L=40MM
	VOE13948217	2							Flange screw		(VOE948217)L=45MM
	VOE13965216	1							Screw		(VOE965216)L=55MM
	VOE13965182	4							Flange screw		(VOE965182)L=80MM
	VOE13965183	2							Flange screw		(VOE965183)L=90MM
	VOE965225	1							Flange screw		(VOE966343)L=35MM
	VOE13965189	2							Flange screw		(VOE965189)L=90MM
17	VOE471559	1							Cap		
18	VOE925257	1							O-ring		
19	VOE13945444	3							Flange screw		(VOE945444)
20	VOE13941907	3							Spring Washer		(VOE941907)
21	VOE465735	1							Cap		
22	VOE925094	1							O-ring		(VOE465058)
23	VOE479971	1							Stud		M10*40*25
	VOE479972	1							Stud		M10*45*30 TD63KDE
	VOE479973	1							Stud		M10*80*65
24	VOE955895	2							Washer		
25	VOE13971095	2							Flange nut		
26	VOE420178	1							Cover		
27	VOE13975610	1							O-ring		(VOE413619)
28	VOE967951	3							Stud		
29	VOE955899	3							Washer		
30	VOE13971097	3							Flange nut		(VOE965484)
31	VOE13960632	1							Plug		(VOE960632)
32	VOE13947624	2							Plane Gasket		(VOE7011998)
33	VOE1161277	1							Sealant		20GRAM

VOLVO

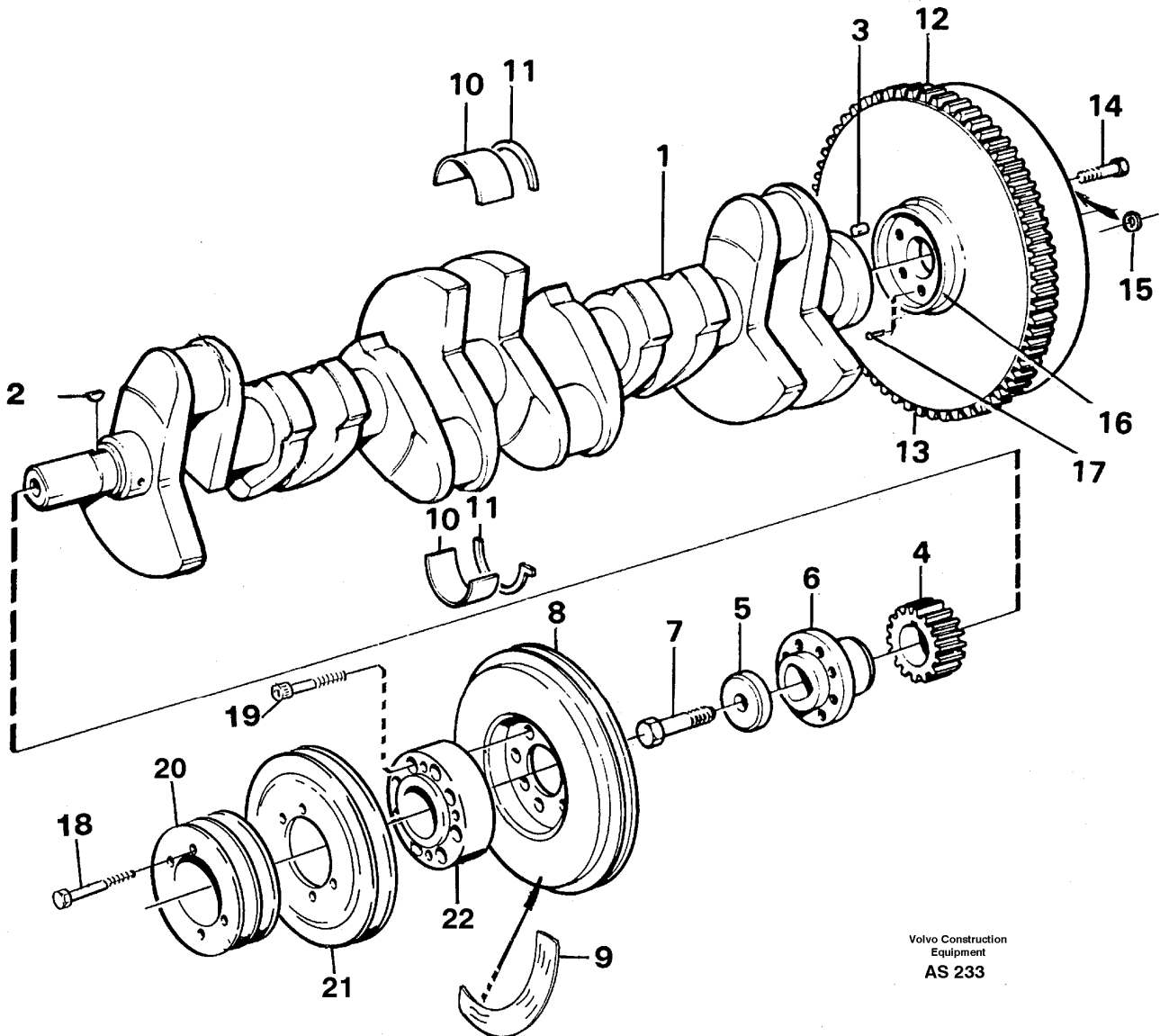
Construction Equipment

Date: 2014/1/27	Image id: AS231	Catalogue: 97790	Model: L70C
Brand: Volvo	Serial: 13116-16500, 70007-70300	Group/Section: 215/100	Title: Camshaft



Pos	Part	Q1	Q2	Q3	Q4	Q5	PS	Kit	Description	Option(s)	Remark
1	VOE465787	1							Camshaft		
		1					NS		•Camshaft		
2	VOE950588	1							•Pin		
3	VOE465789	1							Flange		
4		7							Bearing bushing		See ref 212/50
5	VOE471509	2							Screw		
6	VOE478297	1							Gear		
7	VOE471555	3							Screw		
8	VOE421067	12							Tappet		
9	VOE420021	12							Rod		

Date: 2014/1/27	Image id: AS233	Catalogue: 97790	Model: L70C
Brand: Volvo	Serial: 13116-16500, 70007-70300	Group/Section: 216/50	Title: Crankshaft and related parts



Volvo Construction
Equipment
AS 233

Q1-Q5	Option	Option description	
Q1 TD61GD			
Q2 TD63KDE			

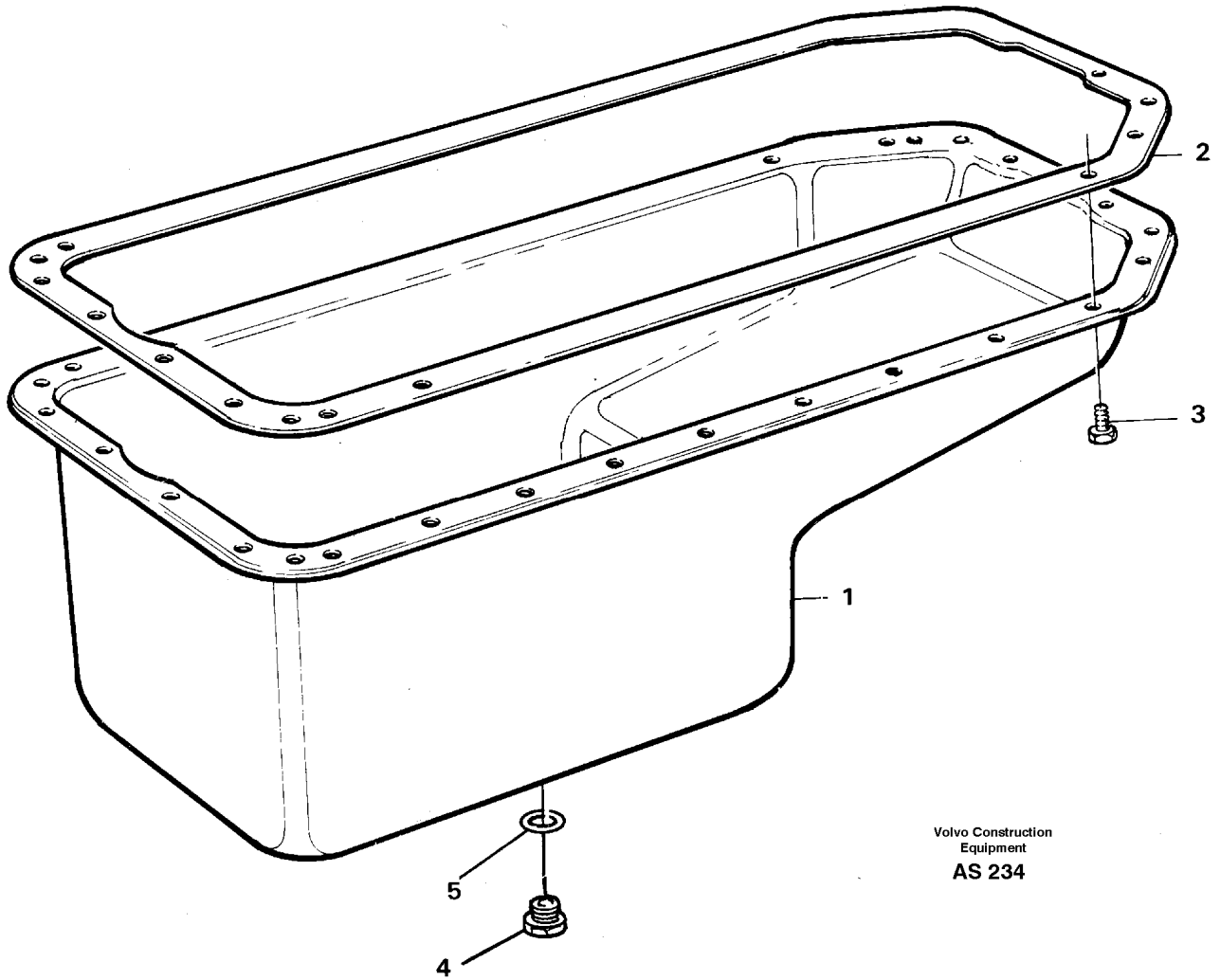
Pos	Part	Q1	Q2	Q3	Q4	Q5	PS	Kit	Description	Option(s)	Remark
1	VOE8192122	1	1				SS		Crankshaft		
2	VOE422253	1	1						•Key		
3	VOE950677	1	1						Pin		
4	VOE471528	1	1						Gear		

5	VOE420124	1	1					Washer		
6	VOE465779	1	1					Hub		
7	VOE470366	1	1					Screw		
8	VOE421515	1	1					Vib Damper		
9	VOE467834	1	1					Sign		
10	VOE271230	7	7					Mn Bearing Kit		STD
	VOE271231	7	7					Mn Bearing Kit		0,254MM U SZ
	VOE271232	7	7					Mn Bearing Kit		0,508MM U SZ
	VOE271233	7	7					Mn Bearing Kit		0,762MM U SZ
	VOE271234	7	7					Mn Bearing Kit		1,016MM U SZ
11	VOE276751	1	1					Thr Washer Kit		STD SZ
	VOE276752	1	1					Thrust Washer		(VOE7276752)0,10MM O SZ
	VOE276753	1	1					Thrust Washer		(VOE7276753)0,20MM O SZ
12	VOE11030936	1	1					Flywheel		
13	VOE420314	1	1					•Gear Ring		
14	VOE978899	9	9					Hexagon screw		
15	VOE467773	9	9					Washer		
16	VOE786589	1	1					Deflector		
17	VOE905654	4	4					Drive Screw		
18	VOE13965187	4	4					Flange screw		
19	VOE4772247	8	8					Screw		
20	VOE11030942	1	1					Strap		
21	VOE4772217	1	1					Strap		
22	VOE4772218	1	1					Hub		

VOLVO

Construction Equipment

Date: 2014/1/27	Image id: AS234	Catalogue: 97790	Model: L70C
Brand: Volvo	Serial: 13116-16500, 70007-70300	Group/Section: 217/50	Title: Oil sump



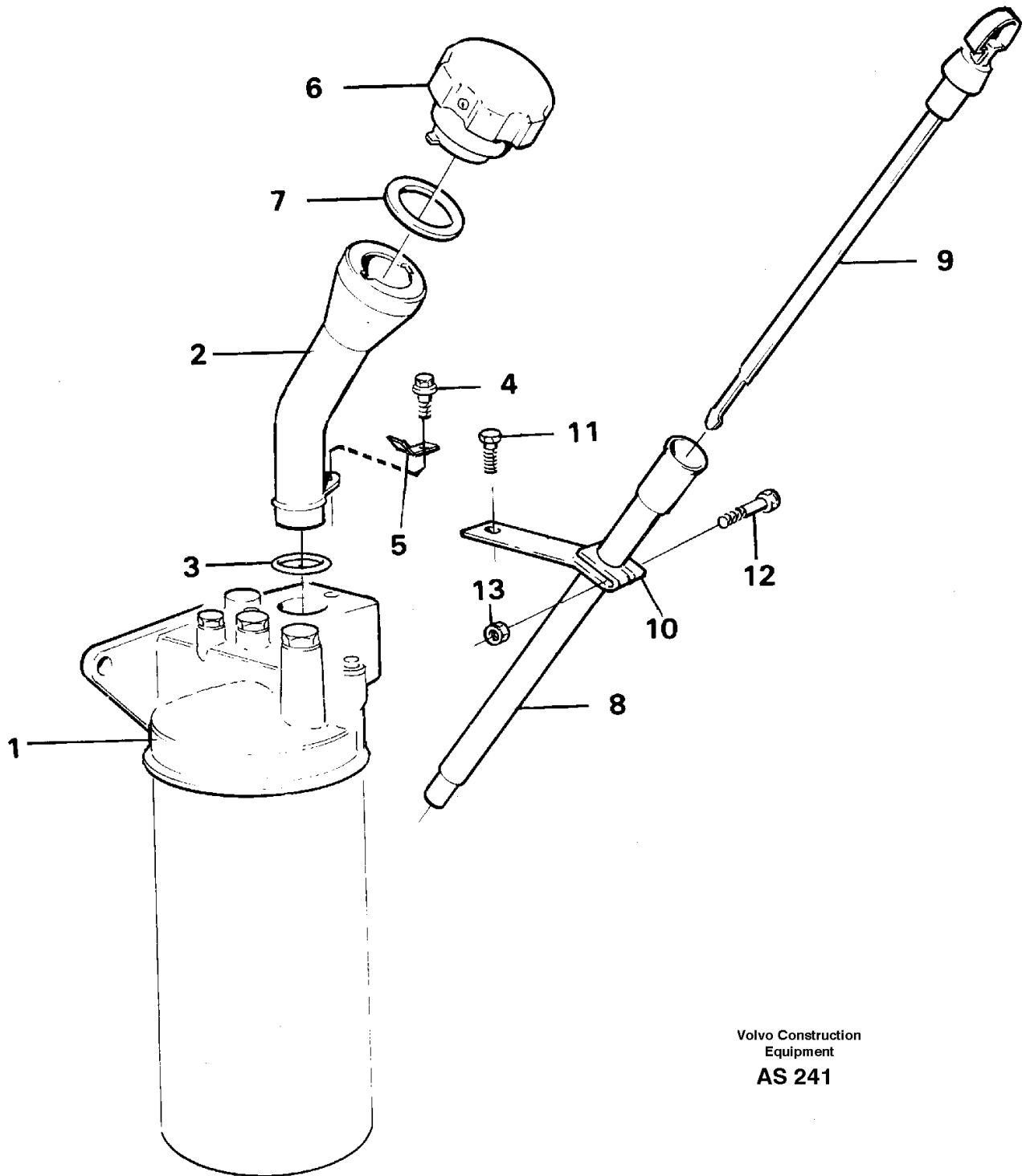
Volvo Construction
Equipment
AS 234

Pos	Part	Q1	Q2	Q3	Q4	Q5	PS	Kit	Description	Option(s)	Remark
1	VOE11162235	1							Oil Pan		(VOE465622)
2	VOE11030778	1							Gasket		(VOE424918)
3	VOE946440	34							Flange screw		
4	VOE13960635	1							Plug		
5	VOE949329	1							Gasket		

VOLVO

Construction Equipment

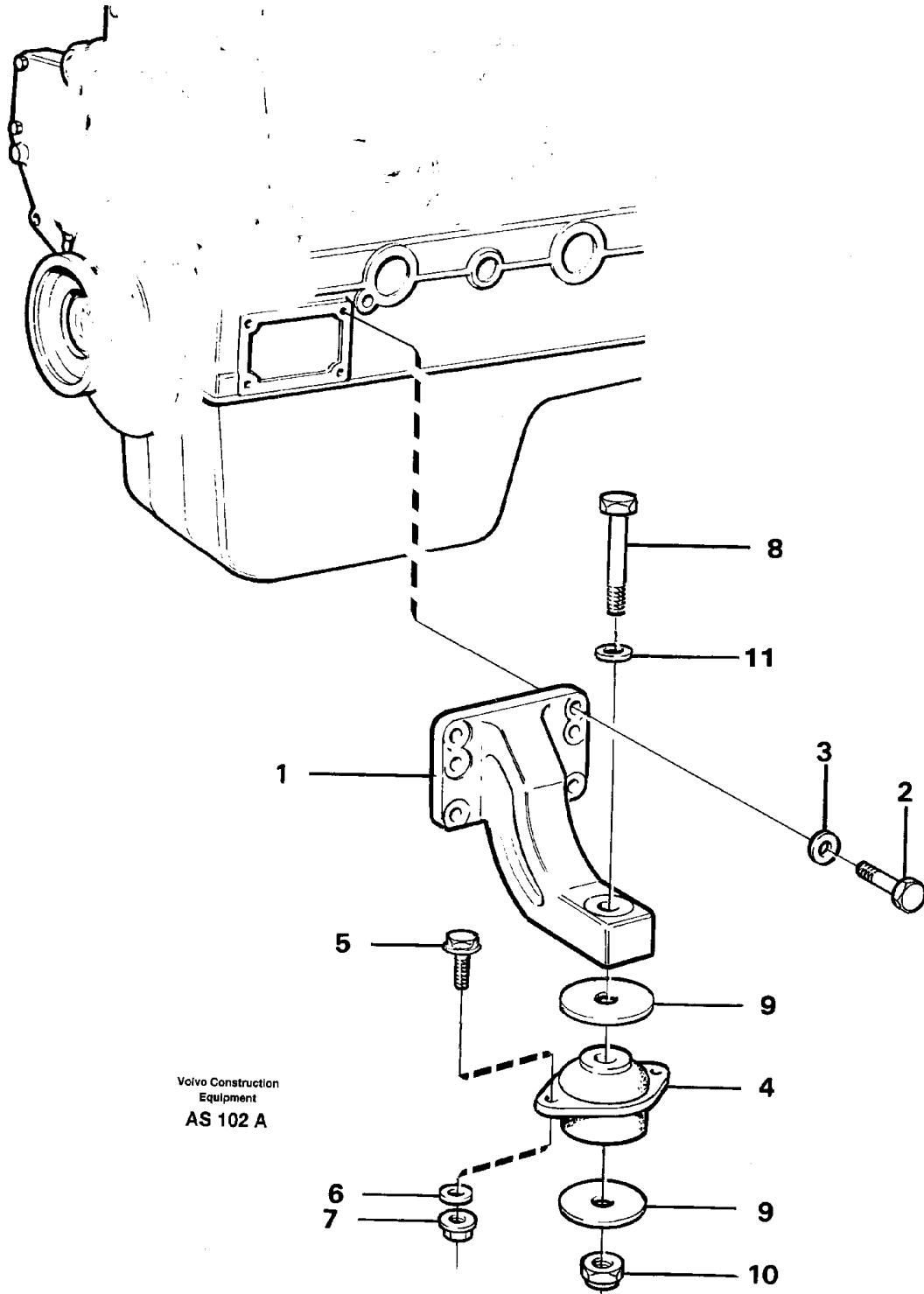
Date: 2014/1/27	Image id: AS241	Catalogue: 97790	Model: L70C
Brand: Volvo	Serial: 13116-16500, 70007-70300	Group/Section: 217/100	Title: Oil filler and dipstick



Volvo Construction
Equipment
AS 241

Pos	Part	Q1	Q2	Q3	Q4	Q5	PS	Kit	Description	Option(s)	Remark
-----	------	----	----	----	----	----	----	-----	-------------	-----------	--------

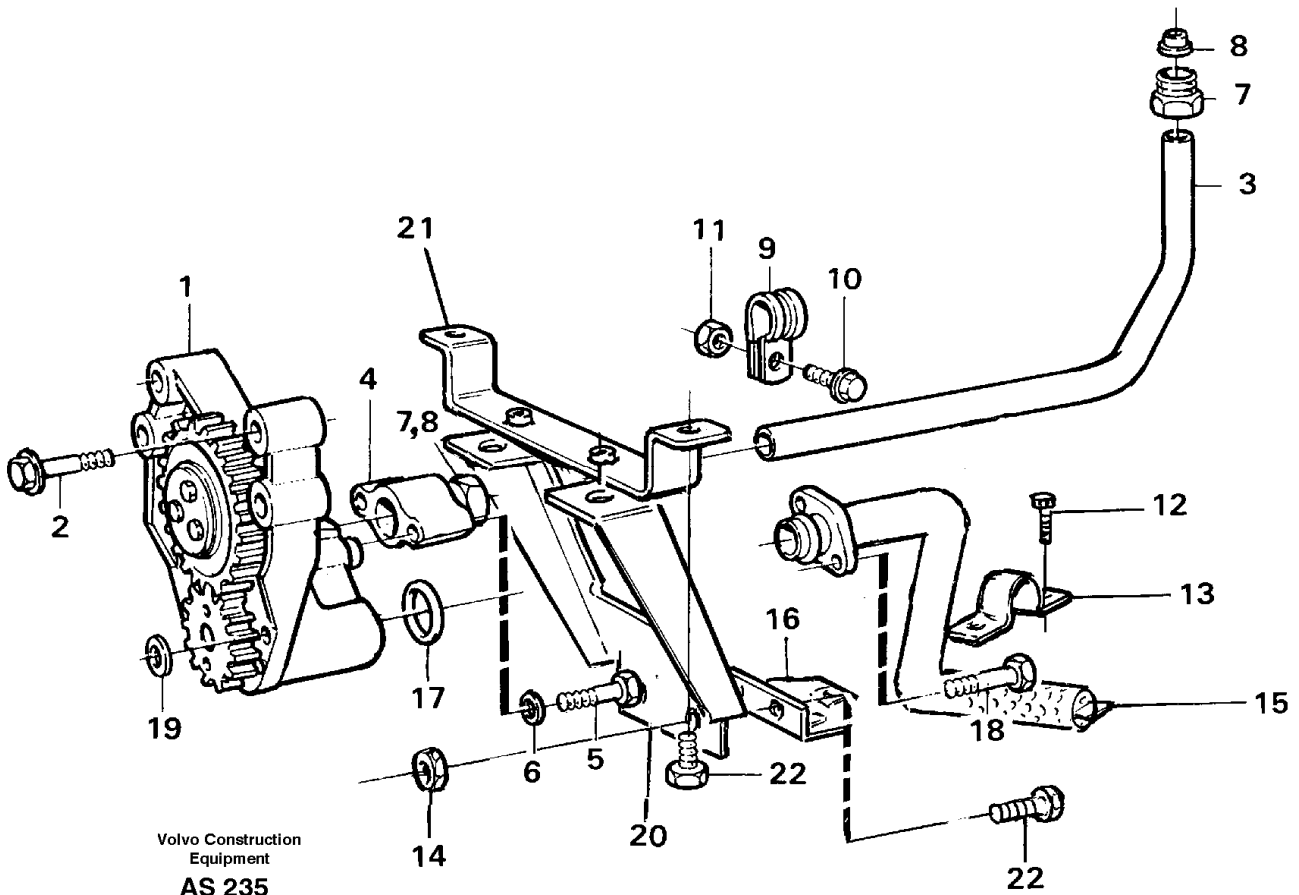
Date: 2014/1/27	Image id: AS102A	Catalogue: 97790	Model: L70C
Brand: Volvo	Serial: 13116-16500, 70007-70300	Group/Section: 218/50	Title: Engine mounting



Pos	Part	Q1	Q2	Q3	Q4	Q5	PS	Kit	Description	Option(s)	Remark
-----	------	----	----	----	----	----	----	-----	-------------	-----------	--------

1	VOE4856778	2							Engine anchorage		
2	VOE965227	8							Flange screw		(VOE13945346)
3	VOE13955897	8							Washer		(VOE955897)
4	VOE342812	2							Rubber cushion		(VOE7342812)
5	VOE13965185	4							Screw		
6	VOE13960143	4							Washer		(VOE960143)
7	VOE13971098	4							Flange nut		(VOE949279)
8	VOE13955378	2							Screw		(VOE955378)
9	VOE11015657	4							Washer		(VOE4746470)
10	VOE13967934	2							Flange lock nut		
11	VOE13955900	2							Washer		

Date: 2014/1/27	Image id: AS235	Catalogue: 97790	Model: L70C
Brand: Volvo	Serial: 13116-16500, 70007-70300	Group/Section: 221/50	Title: Lubricating oil system

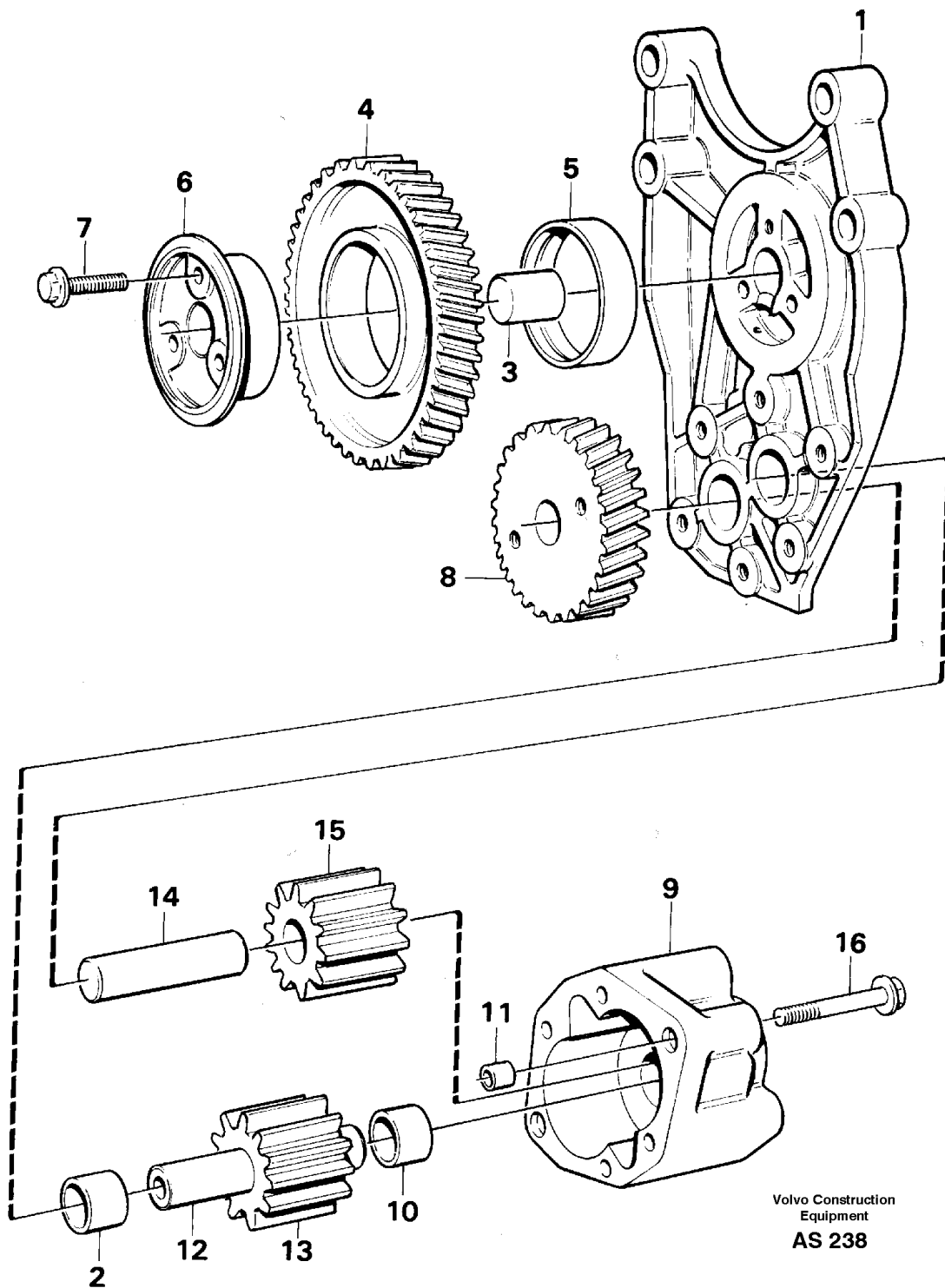


Q1-Q5	Option	Option description
Q1 TD61GD		
Q2 TD63KDE		

Pos	Part	Q1	Q2	Q3	Q4	Q5	PS	Kit	Description	Option(s)	Remark
1		1	1						Oil pump		See ref 221/100
2	VOE471513	4	4						Screw		M10 L=70MM
	VOE471734	2	2						Screw		M8 L=70MM
3	VOE420993	1	1						Oil feed pipe		
4	VOE465846	1	1						Sleeve		
5	VOE13955308	2	2						Screw		(VOE955308)
6	VOE191172		2						Washer		
7	VOE471588	1	1						Connector		
8	VOE980786	1	1						Fitting		(VOE956972)
9	VOE1545433	1	1						Clamp		

10	VOE946440	1	1						Flange screw		
	VOE13946173		1						Screw		(VOE946173)
11	VOE13945408	1	1						Nut		(EH945408)
	VOE13945408		1						Nut		(VOE948645)
12	VOE13946544	2	2						Screw		(VOE965218)
13	VOE11030722	1	1						Clamp		
14	VOE946036	2	2						Lock nut		
15	VOE11030734	1	1						Suction pipe		
16	VOE11030720	1	1						Bracket		
17	VOE470383	2	2						Sealing ring		
18	VOE13965182	2							Screw		(VOE965182)
19	VOE13955894	3	3						Washer		(VOE955894)
20	VOE11030725	1	1				SS		Baffle plate		
21	VOE11030718	1	1						Bracket		
22	VOE946440	6	6						Flange screw		

Date: 2014/1/27	Image id: AS238	Catalogue: 97790	Model: L70C
Brand: Volvo	Serial: 13116-16500, 70007-70300	Group/Section: 221/100	Title: Oil pump

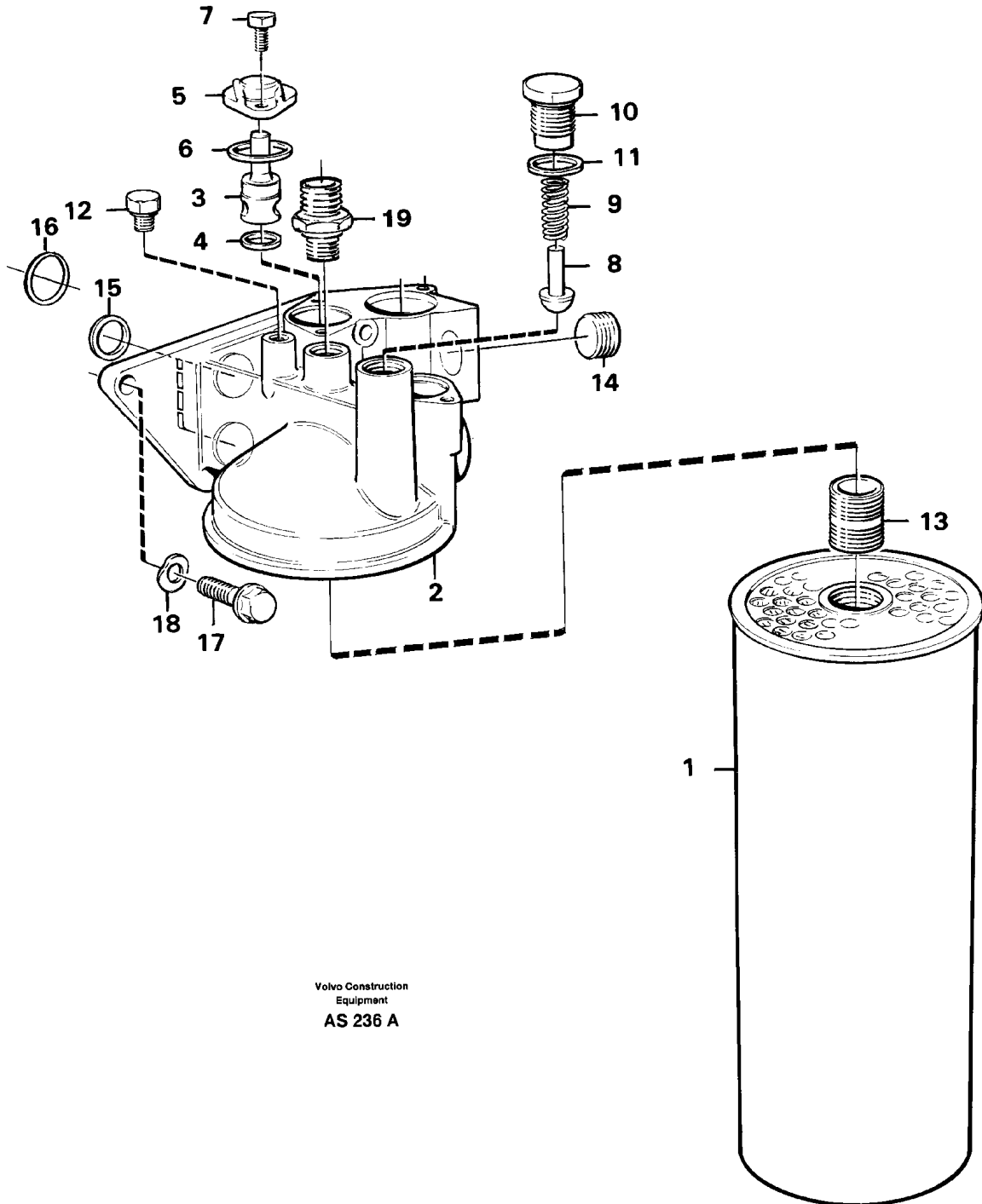


Volvo Construction
Equipment
AS 238

Pos	Part	Q1	Q2	Q3	Q4	Q5	PS	Kit	Description	Option(s)	Remark
-----	------	----	----	----	----	----	----	-----	-------------	-----------	--------

	VOE420867	1							Oil pump		
1	VOE471571	1							•Bracket		
2		2					NS	K	••Bushing		
3	VOE191171	1							••Pin		(VOE191171)
	VOE471942	1							•Drive Gear		
4		1					NS		••Idler gear		
5		1					NS		••Bearing ring		
6	VOE420048	1							•Bearing sleeve		
7	VOE471586	1							•Screw		
8	VOE471941	1							•Drive Gear		
9		1					NS		•Oil pump housing		
10		2					NS	K	••Bushing		
11	VOE401146	2							••Guide sleeve		
12		1					NS	K	•Drive shaft		
13		1					NS	K	••Pump gear		
14		1					NS	K	•Idler shaft		
15		1					NS	K	••Pump gear		
16	VOE13965181	2							•Screw		(VOE965218)
	VOE276151	1							Repair kit		(VOE275773)

Date: 2014/1/27	Image id: AS236A	Catalogue: 97790	Model: L70C
Brand: Volvo	Serial: 13116-16500, 70007-70300	Group/Section: 222/50	Title: Oil filter

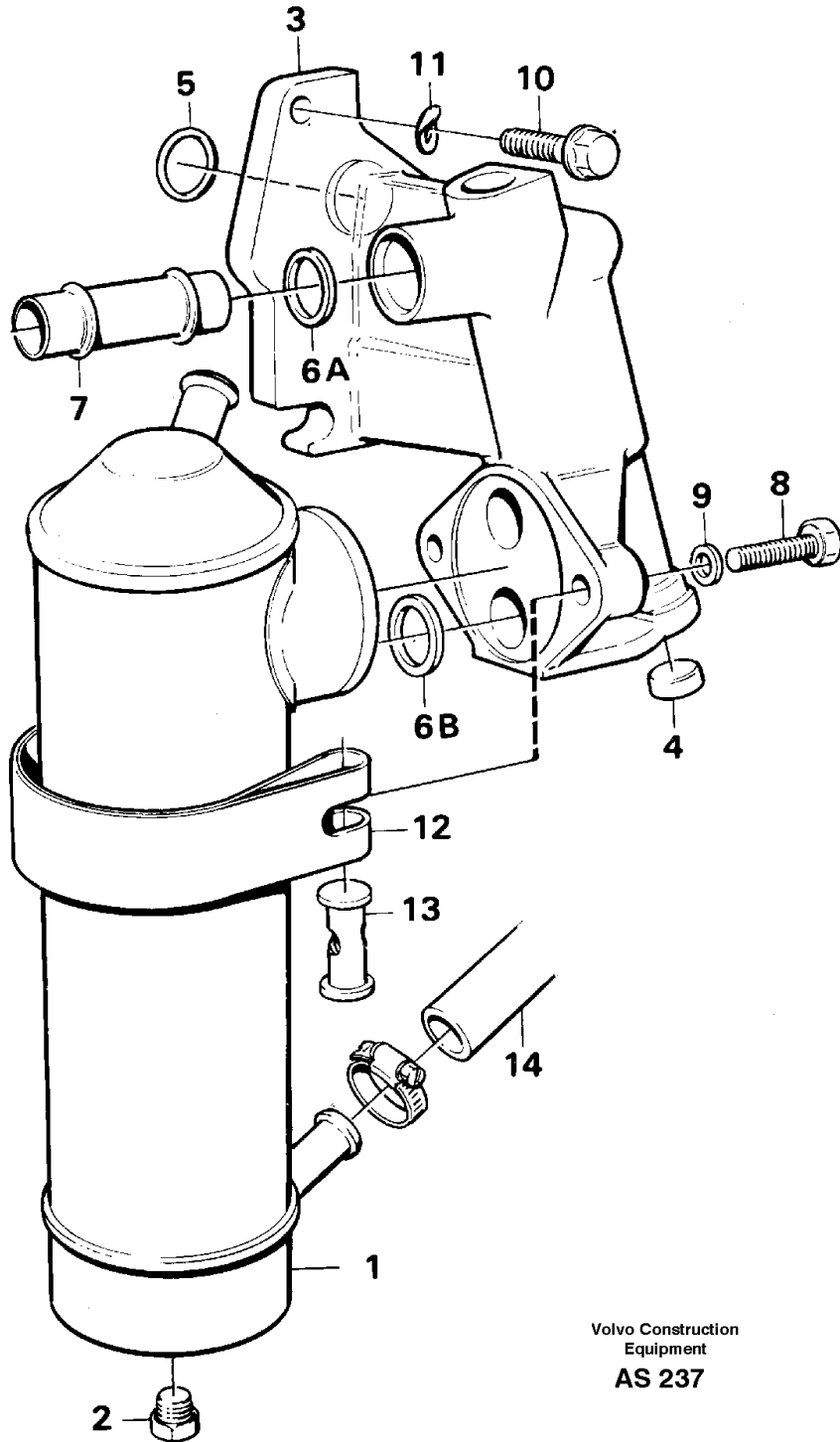


Volvo Construction
Equipment
AS 236 A

Pos	Part	Q1	Q2	Q3	Q4	Q5	PS	Kit	Description	Option(s)	Remark
-----	------	----	----	----	----	----	----	-----	-------------	-----------	--------

1	VOE466634	1							Oil filter		
2	VOE420928	1							Oil filter housing		
		1					NS		•Oil filter housing		
3	VOE471812	1							•Valve		MARKED BL
	VOE466445	1							••Compression spring		
	VOE471640	1							•Reduction valve		MARKED RED
4	VOE469846	2							•Sealing ring		
5	VOE471648	2							•Cover		
6	VOE949659	2							•O-ring		
7	VOE13946544	4							•Screw		
8	VOE471085	1							•Valve cone		
9	VOE466653	1							•Compression spring		
10	VOE471598	1							•Plug		
11	VOE13947627	1							•Plane gasket		(VOE947627)
12	VOE479979	1							•Plug		(VOE191026)
13	VOE466623	1							•Nipple		
14	VOE13948811	1							•Cap plug		(VOE948811)
15	VOE13949656	2							O-ring		(VOE949656) D=19,2MM
16	VOE13949722	1							O-ring		D=36,2MM
17	VOE946329	2							Flange screw		
	VOE13965222	1							Screw		
18	VOE941908	3							Spring washer		
19	VOE14213266	1							Fitting		
	VOE14213676	1							•Sealing ring		

Date: 2014/1/27	Image id: AS237	Catalogue: 97790	Model: L70C
Brand: Volvo	Serial: 13116-16500, 70007-70300	Group/Section: 223/50	Title: Oil cooler

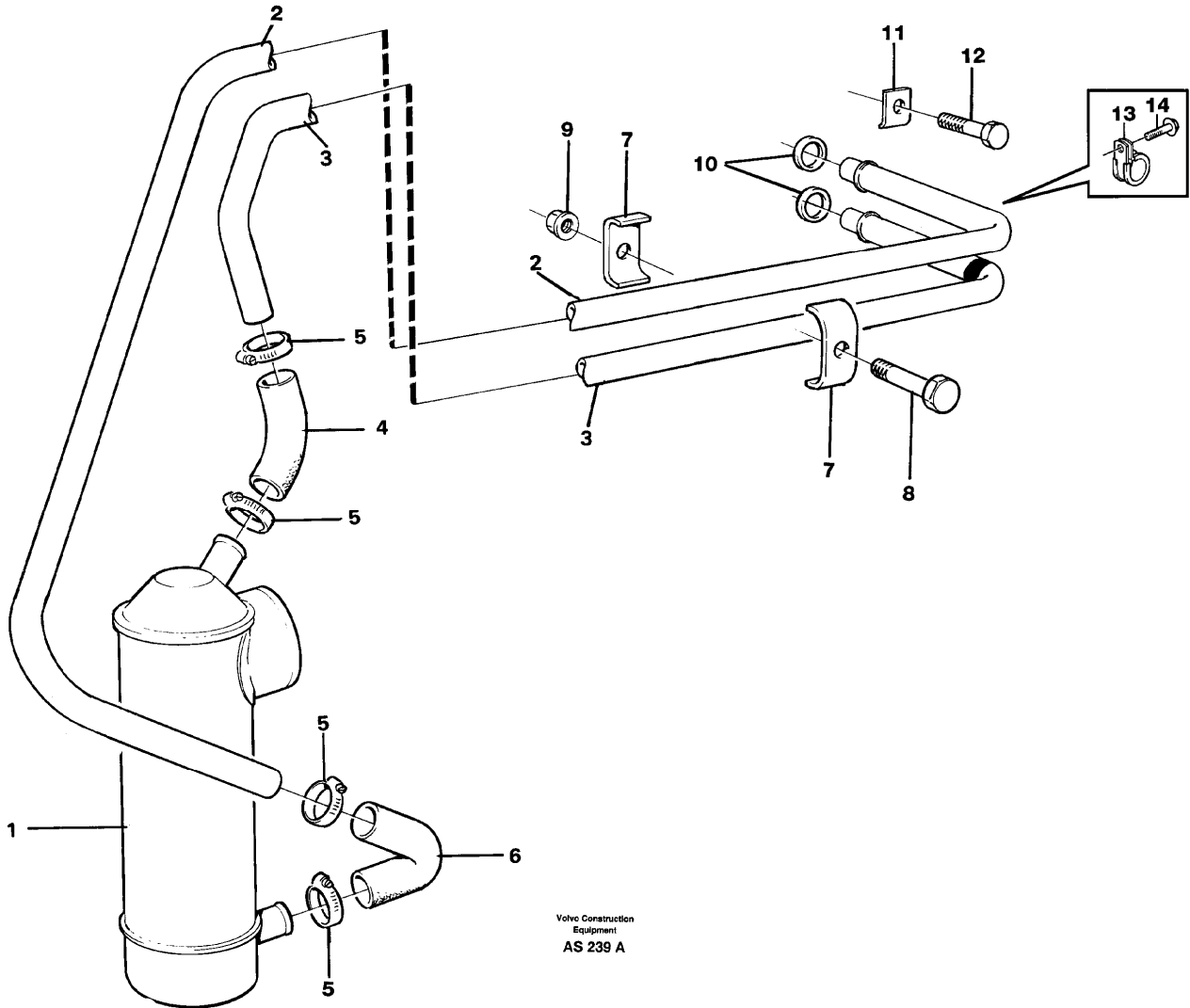


Volvo Construction
Equipment
AS 237

Pos	Part	Q1	Q2	Q3	Q4	Q5	PS	Kit	Description	Option(s)	Remark
-----	------	----	----	----	----	----	----	-----	-------------	-----------	--------

1	VOE465854	1							Oil Cooler		
2	VOE180759	1							•Plugg		(VOE191026)
3	VOE420613	1							Housing		
4		1					NS		•Cap plug		
5	VOE13949656	2							O-ring		
6A	VOE471956	2							Sealing ring		
6B	VOE469483	2							Sealing ring		
7	VOE471602	1							Pipe		
8	VOE955299	2							Hexagon screw		TD61GD
	VOE13948217	2							Flange screw		TD63KDE
9	VOE13955894	2							Washer		(VOE955894)TD61GD
10	VOE946329	3							Flange screw		
11	VOE941908	3							Spring Washer		
12	VOE465858	1							Tensioning Band		
13		2					NS		•Pin nut		
14		1							Hose		See ref 223/100

Date: 2014/1/27	Image id: AS239A	Catalogue: 97790	Model: L70C
Brand: Volvo	Serial: 13116-16500, 70007-70300	Group/Section: 223/100	Title: Oil cooler with hoses



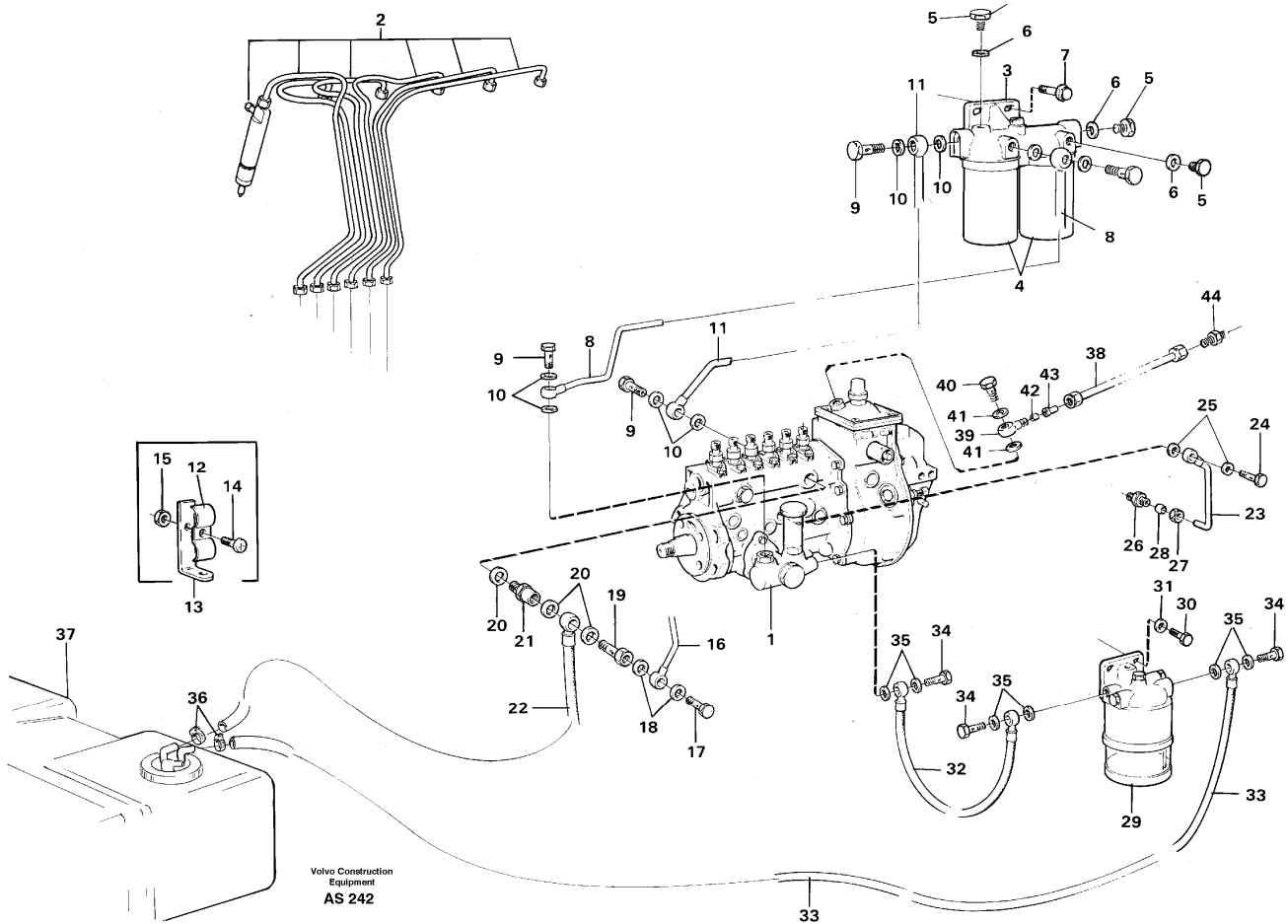
Volvo Construction
Equipment
AS 239 A

Q1-Q5	Option	Option description	
Q1 TD63KDE			
Q2 TD61GD			

Pos	Part	Q1	Q2	Q3	Q4	Q5	PS	Kit	Description	Option(s)	Remark
1		1	1						Oil cooler		See ref 223/50
2	VOE11030892	1	1						Pipe		
3	VOE4772089	1	1						Pipe		
4	VOE943369	REQ	REQ						Hose		L=140MM
5	VOE943473	4	4						Hose clamp		
6	VOE351574	1	1						Hose		

7	VOE424204	2	2						Clamp		
8	VOE946470	1	1						Flange screw		(VOE946470)
9	VOE13945408	1	1						Nut		(EH945408)
10	VOE471626	2	2						Sealing ring		
11	VOE421654	1	1						Clamp		
12	VOE946440	1							Flange screw		
	VOE13965175		1						Screw		(VOE965175)
13	VOE11000239	1	1						Clamp		
14	VOE946440	1	1						Flange screw		

Date: 2014/1/27	Image id: AS242	Catalogue: 97790	Model: L70C
Brand: Volvo	Serial: 13116-16500, 70007-70300	Group/Section: 230/50	Title: Fuel system



Pos	Part	Q1	Q2	Q3	Q4	Q5	PS	Kit	Description	Option(s)	Remark
1		1							Injection pump		See ref 236/50
2		1							Pipe, injector		See ref 237/50
3		1							Filter Housing		See ref 235/50
4		2							Fuel filter		See ref 235/50
5	VOE960630	3							Plug		
6	VOE13947621	3							Plane gasket		(VOE947621)
7	VOE13946752	2							Screw		
8	VOE420843	1							Fuel pipe		
9	VOE7025167	4							Hollow screw		
10	VOE13969011	8							Gasket		(VOE947621)
11	VOE420651	1							Fuel pipe		
12	VOE404279	4							Clamp		
13	VOE13965556	1							Bracket		(VOE965556)



Suggest:

For more complete manuals. Please go to the home page.

<https://www.ebooklibonline.com>

If the above button click is invalid. Please download this document first, and then click the above link to download the complete manual.

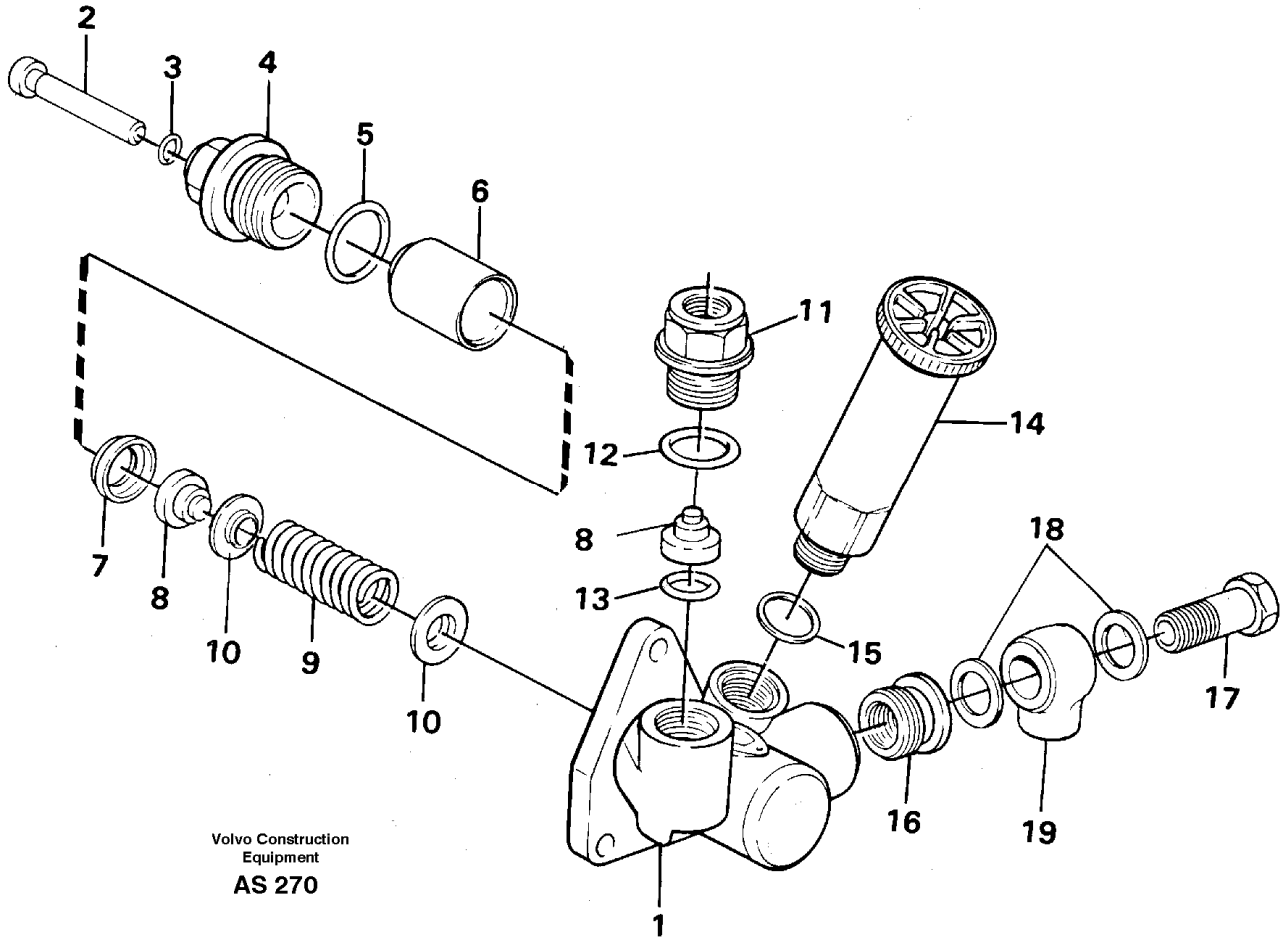
Thank you so much for reading

14	VOE956095	2							Cross recessed screw		
15	VOE13955781	2							Nut		(VOE955781)
16		1							Leak-off line		See ref 237/50
17	VOE7074033	1							Hollow screw		
18	VOE947620	2							Gasket		
19	VOE7016496	1							Hollow screw		
20	VOE13947621	3							Plane gasket		(VOE947621)
21	VOE479775	1							Overflow valve		
22	VOE11030881	1							Fuel hose		
23	VOE7420949	1							Oil feed pipe		
24	VOE7048634	1							Hollow screw		
25	VOE13947281	2							Gasket		(VOE947281)
26	VOE326870	1							Nipple		(VOE326870)
27	VOE954356	1							Fitting nut		
28	VOE954364	1							Ferrule		
29		1							Filter		See ref 233/150
30	VOE946329	2							Flange screw		
31	VOE976945	2							Washer		(VOE13960148)
32	VOE11030780	1							Fuel pipe		
33	VOE11030881	1							Fuel hose		
34	VOE7025167	3							Hollow screw		
35	VOE13947621	6							Plane gasket		(VOE947621)
36	VOE943469	2							Hose clamp		
37		1							Fuel tank		See ref 234/50
38	VOE13945460	REQ							Plastic pipe		L=760MM
39	VOE13945417	1							Banjo nipple		TD63KDE
40	VOE968178	1							Hollow screw		TD63KDE
41	VOE13947282	2							Gasket		TD63KDE
42	VOE954364	2							Ferrule		
43	VOE944717	2							Sleeve		
44	VOE13954378	1							Nipple		TD63KDE

VOLVO

Construction Equipment

Date: 2014/1/27	Image id: AS270	Catalogue: 97790	Model: L70C
Brand: Volvo	Serial: 13116-16500, 70007-70300	Group/Section: 233/50	Title: Feed pump - FD 369



Pos	Part	Q1	Q2	Q3	Q4	Q5	PS	Kit	Description	Option(s)	Remark
	VOE6213583	1							Feed pump		
1		1					NS		•Housing		
2	VOE244840	1							•Push rod		
3	VOE11716292	1							•O-ring		(VOE244829)
4	VOE244841	1							•Housing		
5	VOE15031180	1							•O-ring		(VOE244828)
6	VOE244831	1							•Piston		
7		1					NS		•Spacer ring		
8	VOE244834	2							•Valve		
9	VOE244832	1							•Spring		
10	VOE244833	2							•Spring disc		
11	VOE11987535	1							•Nipple		
12	VOE244844	1							•O-ring		

<https://www.ebooklibonline.com>

Hello dear friend!

Thank you very much for reading.

Enter the link into your browser.

The full manual is available for immediate download.

<https://www.ebooklibonline.com>