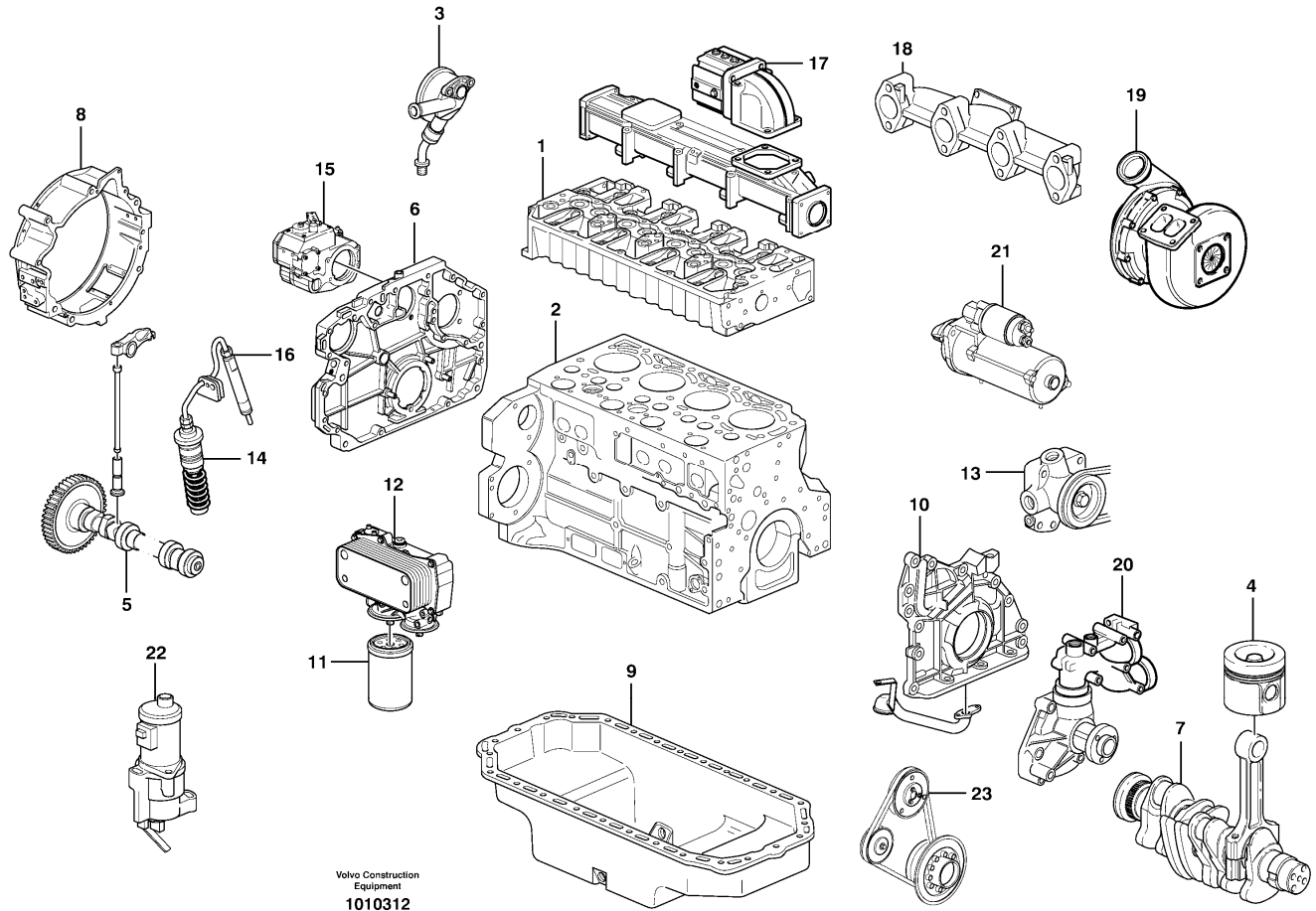


Date: <b>2014/1/24</b>	Image id: <b>1010312</b>	Catalogue: <b>20045</b>	Model: <b>L50E</b>
Brand: <b>Volvo</b>	Serial: <b>71001-72174</b>	Group/Section: <b>210/100</b>	Title: <b>Engine</b>

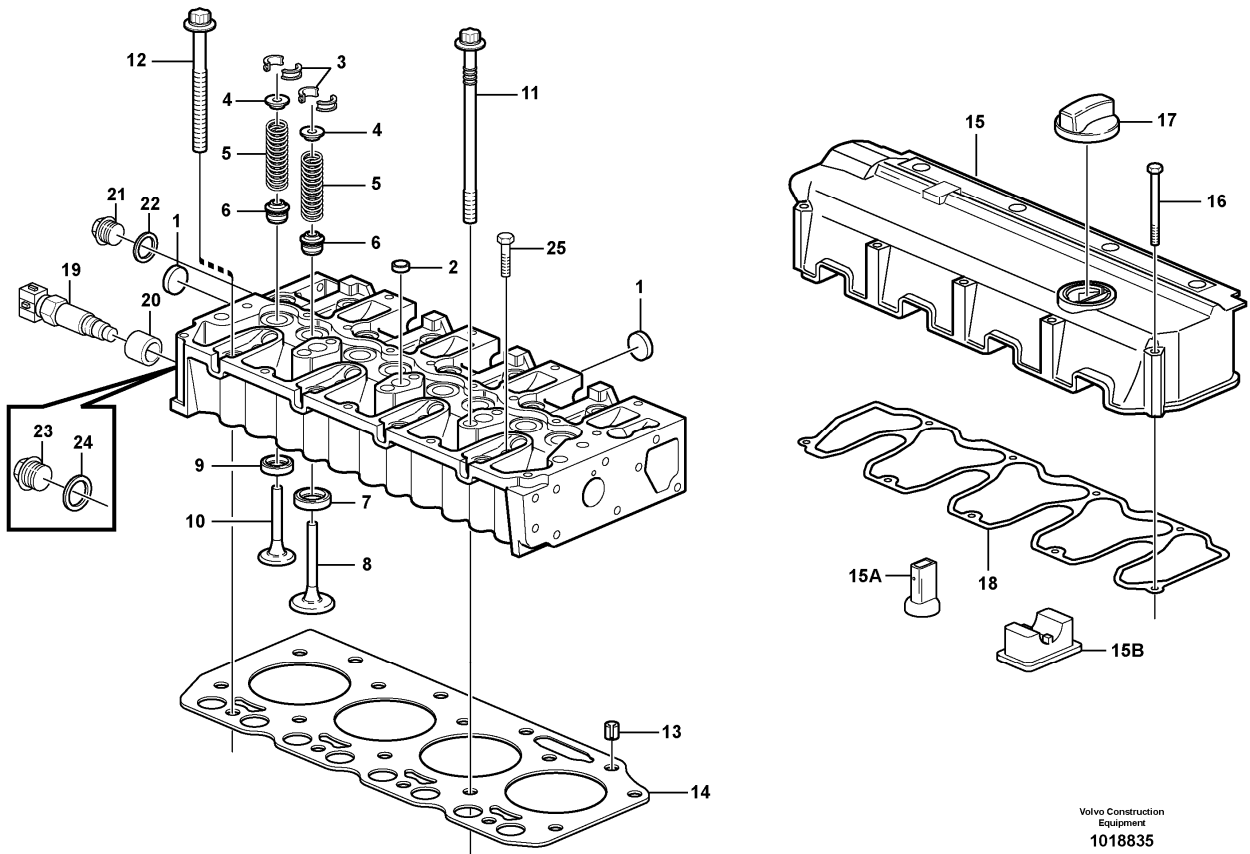


Section option	Kit	Option description
VOE11410478		Engine D4D LAE2

Pos	Part	Q1	Q2	Q3	Q4	Q5	PS	Kit	Description	Option(s)	Remark
	VOE11410478								Engine		D4DLAE2
1		1							•Cylinder head		See ref 211/100
2		1							•Cylinder block		See ref 212/100
3		1							•Crankcase ventilation		See ref 212/150
4		4							•Piston		See ref 213/100
5		1							•Valve mechanism		See ref 214/150
6		1							•Timing gear casing		See ref 215/100
7		1							•Crankshaft		See ref 216/100
8		1							•Flywheel Hsg		See ref 216/150
9		1							•Oil sump		See ref 217/100
10		1							•Lubricating system		See ref 221/100

11		1							•Oil filter		See ref 222/100
12		1							•Oil cooler		See ref 223/100
13		1							•Fuel pump		See ref 233/100
14		4							•Injcection pump		See ref 236/100
15		1							•Regulator		See ref 236/150
16		4							•Fuel lines, injectors		See ref 237/100
17		1							•Inlet pipe		See ref 251/100
18		1							•Exhaust pipe		See ref 251/100
19		1							•Turbocharger		See ref 255/100
20		1							•Water pump and thermo		See ref 262/100
21		1							•Starter motor		See ref 331/100
22		1							•Stop solenoid		See ref 273/100
23		1							•Belt Xmsn		See ref 262/100

Date: <b>2014/1/24</b>	Image id: <b>1018835</b>	Catalogue: <b>20045</b>	Model: <b>L50E</b>
Brand: <b>Volvo</b>	Serial: <b>71001-72174</b>	Group/Section: <b>211/100</b>	Title: <b>Cylinder head</b>



Volvo Construction  
Equipment  
1018835

Section option	Kit	Option description
VOE11410478		Engine D4D LAE2

Pos	Part	Q1	Q2	Q3	Q4	Q5	PS	Kit	Description	Option(s)	Remark
	VOE20555189	1							Cylinder head		ENG - 902522
	VOE20590598	1							Cylinder head		ENG 902523 -
1	VOE20412745	3							•Core plug		(VOE20450767)
2	VOE20412745	3							•Core plug		(VOE11700344)
3	VOE20459857	16							•Valve sleeve		
4	VOE20535037	8							•Washer		E PROD ENG - 2006/01
4	VOE20840747	8							•Spring Disc		L PROD ENG 2006/02 -
5	VOE20459851	8							•Valve spring		
6	VOE20459855	8							•Valve seal		
7	VOE20459852	4							•Valve seat		
8	VOE20482741	4							•Inlet valve		(VOE20791517)E PROD ENG - 2006/01

**<https://www.ebooklibonline.com>**

Hello dear friend!

Thank you very much for reading.

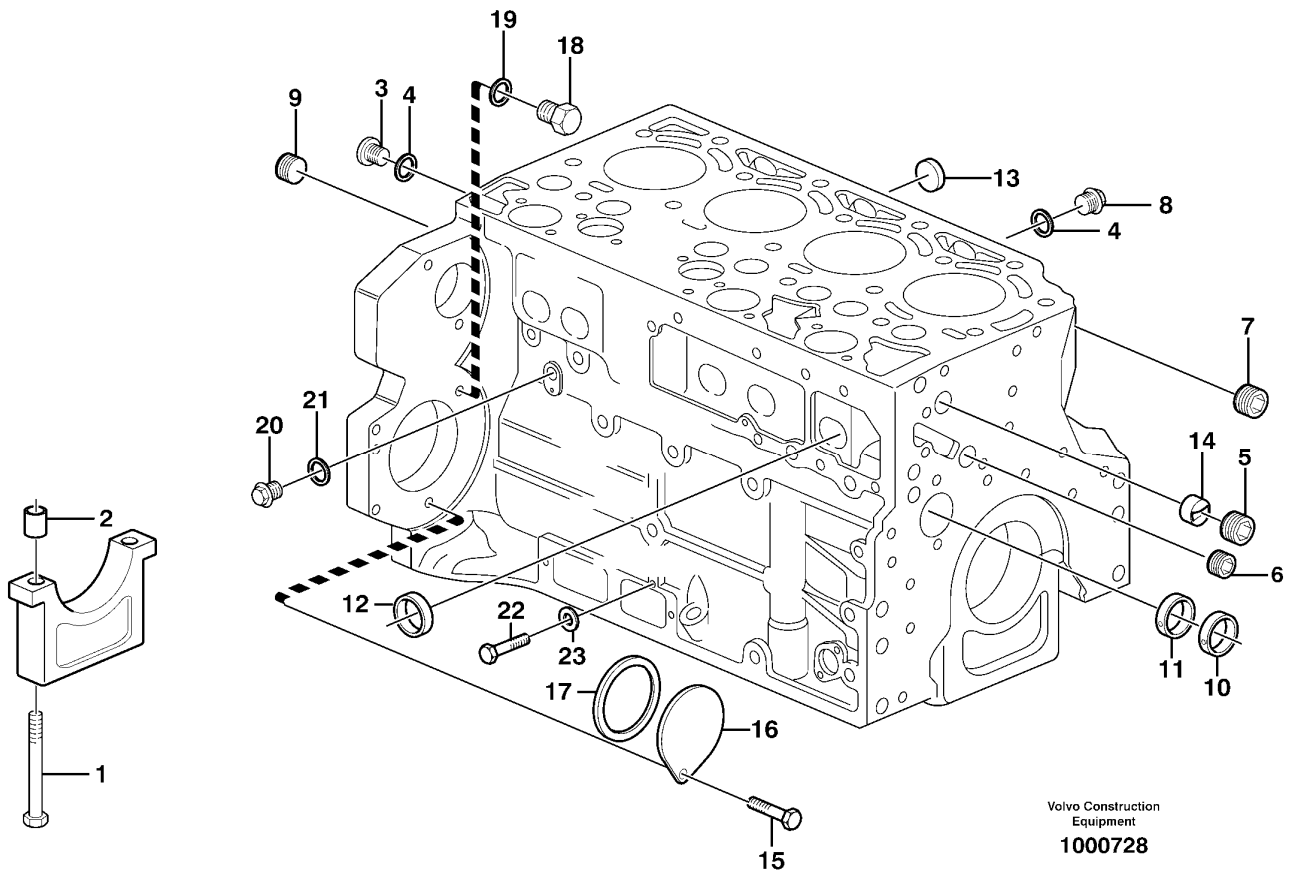
Enter the link into your browser.

The full manual is available for immediate download.

**<https://www.ebooklibonline.com>**

8	VOE21026535	4							•Inlet valve		L PROD ENG 2006/02 -
9	VOE20459854	4							•Valve seat		
10	VOE20482742	4							•Exhaust valve		(VOE20459861)E PROD ENG - 2006/01
10	VOE21026536	4							•Exhaust Valve		L PROD ENG 2006/02 -
11	VOE20459837	5							Bolt		
12	VOE20459838	13							Bolt		
13	VOE20459839	2							Bushing		
14	VOE20882841	1							Cylinder gasket head		1 BORE
	VOE20882839	1							Cylinder gasket head		2 BORES
	VOE20882838	1							Cylinder gasket head		3 BORES
15	VOE20558934	1							Valve Cover		
15A	VOE20459836	1							•Nozzle		
15B	VOE20459835	1							•Cover		
16	VOE20459830	9							Screw		
17	VOE20412589	1							Filler cap		
18	VOE20558924	1							Gasket		
19	VOE20924086	1							Sensor		(VOE20405787)SE2
20	VOE20405788	1							Sleeve		
21	VOE20464451	1							Plug		
22	VOE13947628	1							Plane gasket		
23	VOE20405716	1							Plug		
24	VOE13947621	1							Plane gasket		
25	VOE20405895	4							Plug		

Date: <b>2014/1/24</b>	Image id: <b>1000728</b>	Catalogue: <b>20045</b>	Model: <b>L50E</b>
Brand: <b>Volvo</b>	Serial: <b>71001-72174</b>	Group/Section: <b>212/100</b>	Title: <b>Cylinder block</b>

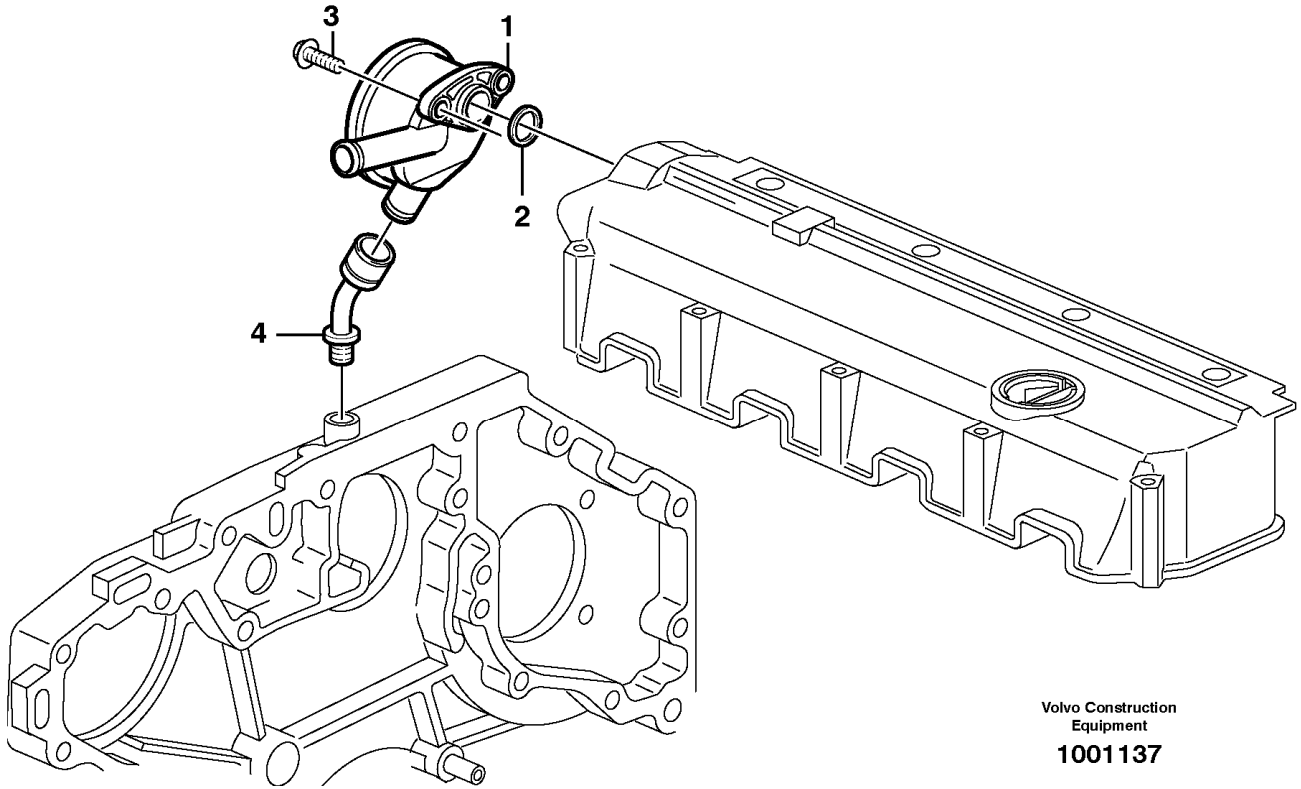


Section option	Kit	Option description
VOE11410478		Engine D4D LAE2

Pos	Part	Q1	Q2	Q3	Q4	Q5	PS	Kit	Description	Option(s)	Remark
	VOE24425842	1					SS		Crankcase		ENG - 1064049
	VOE20791246	1							Cylinder Block		ENG 1064050 - 01099408
	VOE21009706	1							Crankcase		ENG 01099409 -
1	VOE20460006	10							•Screw		
2	VOE20460001	10							•Bushing		
3	VOE945065	1							•Plug		(VOE11700279)
4	VOE13969011	3							•Gasket		
5	VOE20405717	1							•Plug		
6	VOE20405719	1							•Plug		
7	VOE20508600	2							•Plug		
8	VOE20405716	2							•Plug		

9	VOE20785813	1							•Plug		(VOE20508605)ENG - 1070375
	VOE20785813	1							•Plug		ENG 1070376 -
10	VOE20459999	4							•Camshaft bushing		
11	VOE20459998	1							•Camshaft bushing		
12	VOE20405721	6							•Core plug		
13	VOE20412745	2							•Core plug		(VOE20450767)
14	VOE20405584	1							•Guide sleeve		
15	VOE888289	2							Hexagon screw		
16	VOE20405817	1							Cover		(VOE20459898)
17	VOE20412359	1							Sealing ring		
18	VOE20441859	1							Plug		(VOE20532680)
19	VOE13947281	1							Gasket		
20	VOE20405716	1							Plug		
21	VOE13947621	1							Plane gasket		
22	VOE20459899	2							Screw		
23	VOE20459900	2							Sealing ring		

Date: <b>2014/1/24</b>	Image id: <b>1001137</b>	Catalogue: <b>20045</b>	Model: <b>L50E</b>
Brand: <b>Volvo</b>	Serial: <b>71001-72174</b>	Group/Section: <b>212/150</b>	Title: <b>Crankcase ventilation</b>

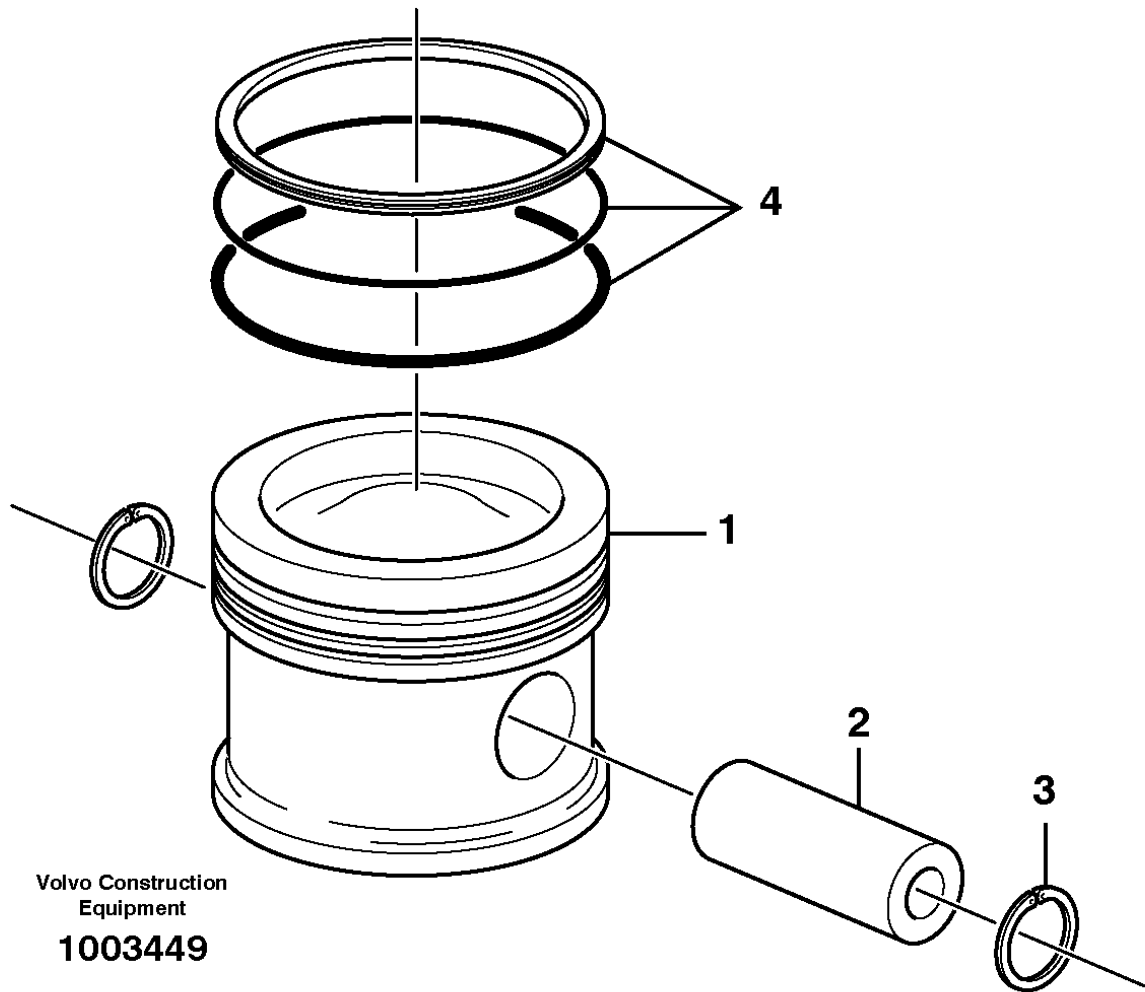


Volvo Construction  
Equipment  
**1001137**

Section option	Kit	Option description
VOE11410478		Engine D4D LAE2

Pos	Part	Q1	Q2	Q3	Q4	Q5	PS	Kit	Description	Option(s)	Remark
1	VOE20405626	1							Regulator		
2	VOE20405627	1							•Gasket		
3	VOE20450728	2							Bolt		(VOE20459182)
4	VOE20405938	1							Connector		

Date: <b>2014/1/24</b>	Image id: <b>1003449</b>	Catalogue: <b>20045</b>	Model: <b>L50E</b>
Brand: <b>Volvo</b>	Serial: <b>71001-72174</b>	Group/Section: <b>213/100</b>	Title: <b>Pistons</b>

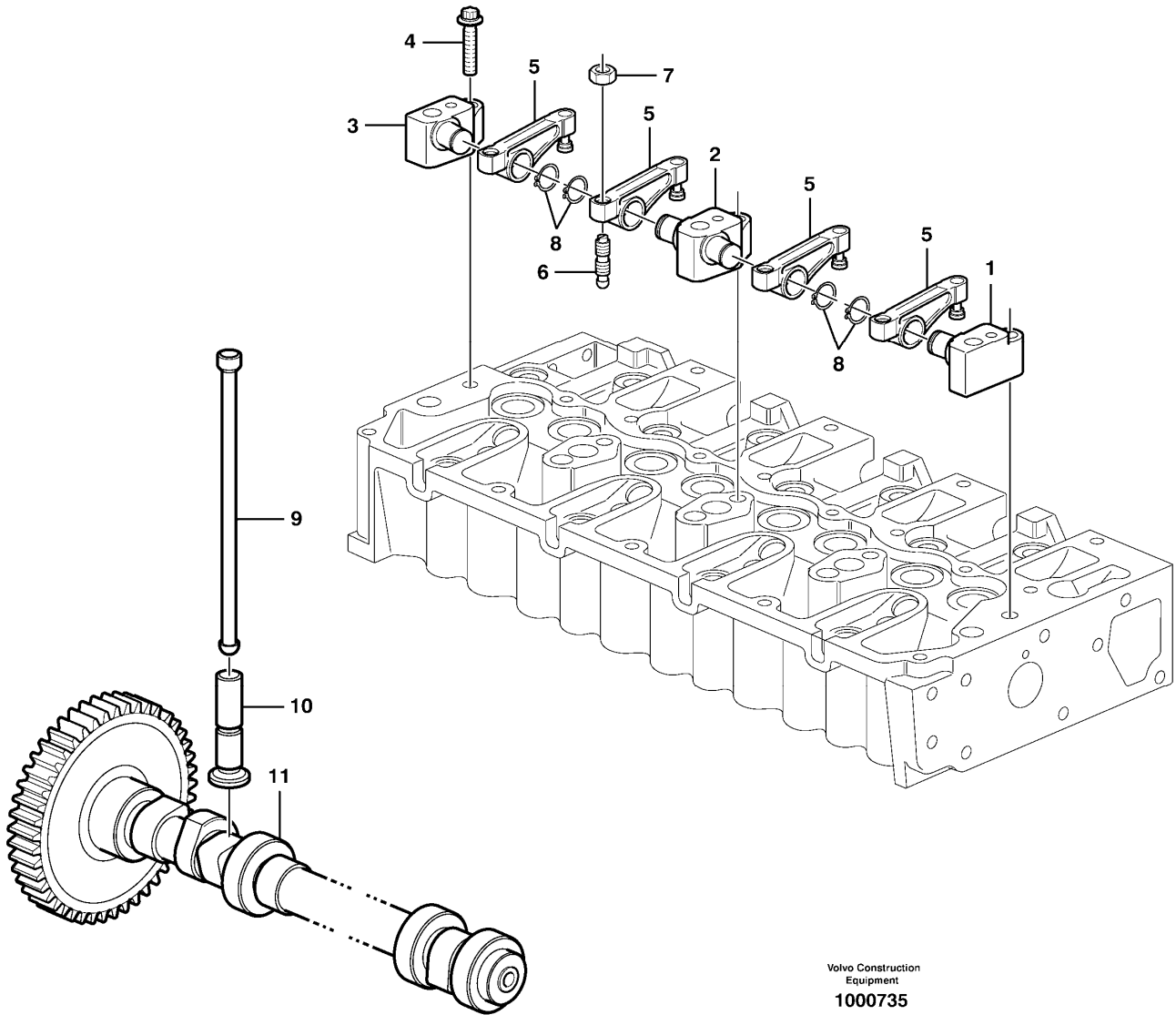


Section option	Kit	Option description
VOE11410478		Engine D4D LAE2

Pos	Part	Q1	Q2	Q3	Q4	Q5	PS	Kit	Description	Option(s)	Remark
1	VOE21305007	4							Piston		(VOE20460013)STD = 101,0 MM

1	VOE20839988	REQ							Piston		O SZ = 101,5 MM
2	VOE20460009	4							•Gudgeon pin		
3	VOE21159226	8							•Retaining ring		(VOE20460010)
4	VOE21252233	4							•Piston ring kit		(VOE20482739)STD
4	VOE20840002	REQ							Piston Ring Kit		O SZ

Date: <b>2014/1/24</b>	Image id: <b>1000735</b>	Catalogue: <b>20045</b>	Model: <b>L50E</b>
Brand: <b>Volvo</b>	Serial: <b>71001-72174</b>	Group/Section: <b>214/150</b>	Title: <b>Valve mechanism</b>

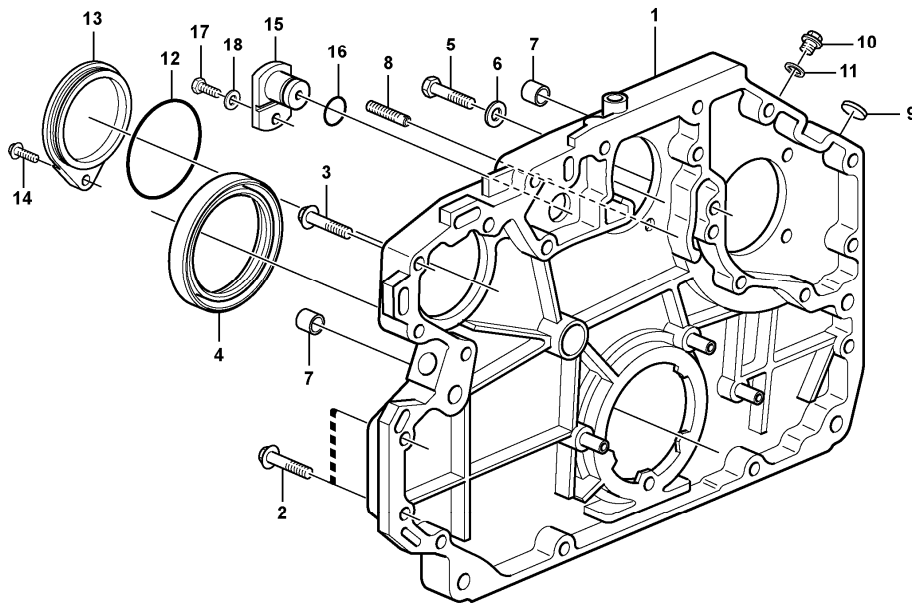


Section option	Kit	Option description
VOE11410478		Engine D4D LAE2

Pos	Part	Q1	Q2	Q3	Q4	Q5	PS	Kit	Description	Option(s)	Remark
1	VOE20459848	1							Bracket		
2	VOE20459847	3							Bracket		
3	VOE20459849	1							Bracket		
4	VOE20459853	5							Screw		
5	VOE20459850	8							Rocker arm		E PROD - 2006/01
5	VOE21448926	8							Rocker arm		(VOE20792876)L PROD 2006/02 -

6	VOE20405524	8							Screw		
7	VOE11700373	8							Nut		
8	VOE945495	8							Retaining ring		(VOE20549891)
9	VOE20460008	8							Push rod		
10	VOE20460007	8							Tappet		
11	VOE21019449	1							Camshaft		(VOE20555491)

Date: <b>2014/1/24</b>	Image id: <b>1026147</b>	Catalogue: <b>20045</b>	Model: <b>L50E</b>
Brand: <b>Volvo</b>	Serial: <b>71001-72174</b>	Group/Section: <b>215/100</b>	Title: <b>Timing gear casing and covers</b>



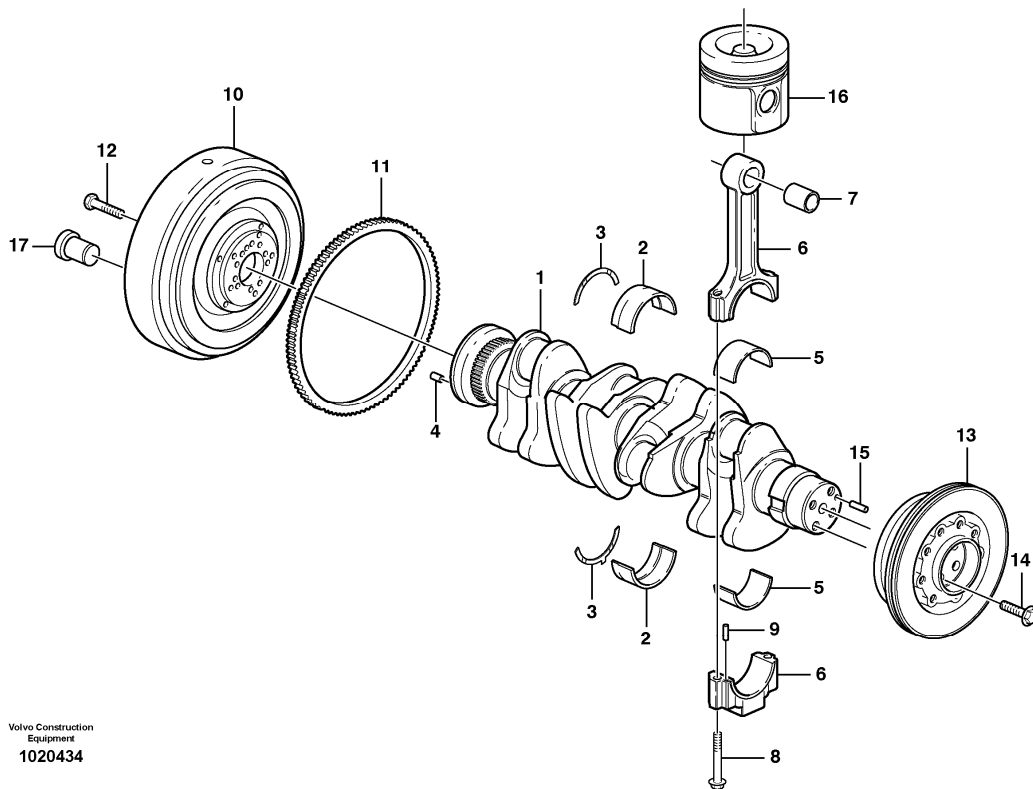
Volvo Construction  
Equipment  
1026147

Section option	Kit	Option description
VOE11410478		Engine D4D LAE2

Pos	Part	Q1	Q2	Q3	Q4	Q5	PS	Kit	Description	Option(s)	Remark
1	VOE20592807	1							Tmg Gear Cover		
2	VOE20412324	12							Screw		
3	VOE20450801	3							Screw		
4	VOE20459115	1							Crankshaft seal		
5	VOE20405653	2					SS		Screw		
6	VOE13955900	2							Washer		(VOE20539564)
7	VOE20585971	2							Bushing		
8	VOE20450795	1							Set screw		
9	VOE20405605	1							Cover		
10	VOE20451012	1							Screw		
11	VOE13947621	1							Plane gasket		
12	VOE20405652	1							Sealing ring		



Date: <b>2014/1/24</b>	Image id: <b>1020434</b>	Catalogue: <b>20045</b>	Model: <b>L50E</b>
Brand: <b>Volvo</b>	Serial: <b>71001-72174</b>	Group/Section: <b>216/100</b>	Title: <b>Crankshaft and related parts</b>



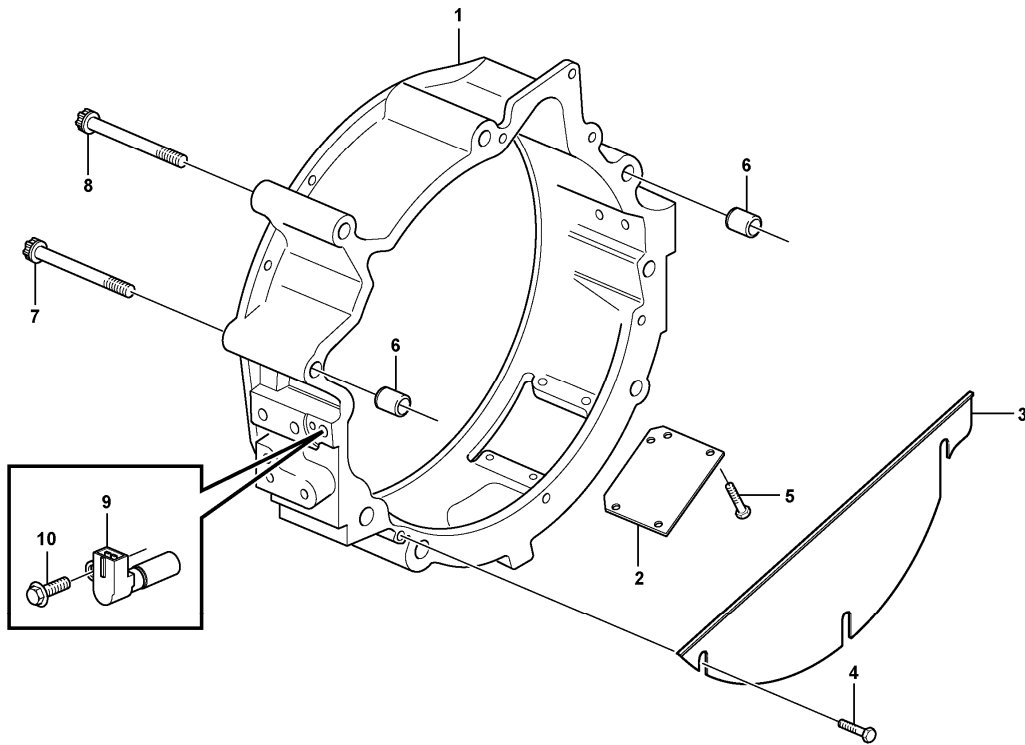
Volvo Construction  
Equipment  
1020434

Section option	Kit	Option description
VOE11410478		Engine D4D LAE2

Pos	Part	Q1	Q2	Q3	Q4	Q5	PS	Kit	Description	Option(s)	Remark
1	VOE20729184	1					SS		Crankshaft		ENG - 1026595
1	VOE20891184	1							Crankshaft		ENG 1026596 -
2	VOE20459140	5							Main bearing		STD = 84,00 MM
2	VOE20459139	REQ							Main Bearing		U SZ = 83,75 MM
3	VOE20459149	REQ							Thrust washer		STD WID = 14 MM THICK = 2,00 MM
3	VOE20459148	REQ							Thrust Washer		WID = 14 MM THICK = 2,20 MM
3	VOE20459143	REQ							Washer		STD WID = 10 MM THICK = 2,00 MM
3	VOE20459142	REQ							Thrust Washer		WID = 10 MM THICK = 2,20 MM
4	VOE20459144	10							Insert		

5	VOE20555403	6							Bearing		ENG - 695616 STD 63,00 MM
5	VOE20459147	REQ							Bearing		ENG - 695616 U SZ 62,75 MM
5	VOE20480536	6							Bearing		ENG 695617 - STD = 63,00 MM
5	VOE20522433	REQ							Bearing		ENG 695617 - U SZ = 62,75 MM
6	VOE20882905	4							Connecting Rod		
7	VOE20523284	4							•Bushing		
8	VOE20459133	8							•Bolt		
9	VOE20459134	8							•Pin		
10	VOE20524696	1							Flywheel		
11	VOE20405650	1							•Gear		
12	VOE20405654	10							Bolt		
13	VOE20515162	1							Pulley		(VOE20460198)
14	VOE20405724	4							Screw		
15	VOE20405634	1							Spring pin		
16		4							Piston		See ref 213/100
17	VOE20405643	5							Plug		

Date: <b>2014/1/24</b>	Image id: <b>1026146</b>	Catalogue: <b>20045</b>	Model: <b>L50E</b>
Brand: <b>Volvo</b>	Serial: <b>71001-72174</b>	Group/Section: <b>216/150</b>	Title: <b>Flywheel housing</b>



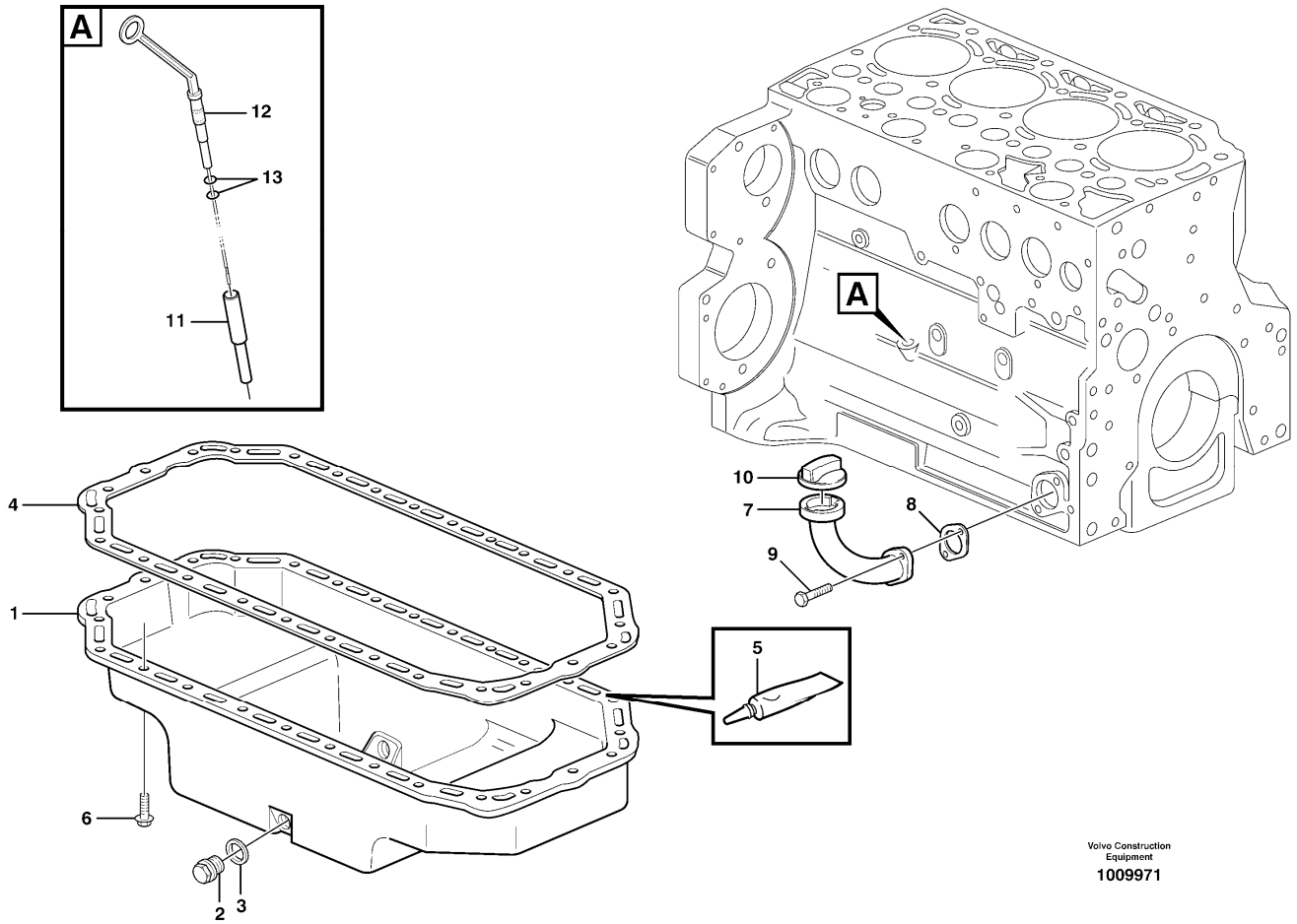
Volvo Construction  
Equipment  
1026146

Section option	Kit	Option description
VOE11410478		Engine D4D LAE2

Pos	Part	Q1	Q2	Q3	Q4	Q5	PS	Kit	Description	Option(s)	Remark
1	VOE21018780	1							Flywheel Hsg		(VOE20550335)ENG - 01099408
1	VOE21018780	1							Flywheel Hsg		(VOE21044436)ENG 01099409 -
2	VOE20547288	1							•Cover Plate		
3	VOE20459989	1							•Cover		
4	VOE20405729	3							•Screw		
5	VOE20405729	4							•Screw		
6	VOE20405887	2							Bushing		
7	VOE20459996	2							Screw		
8	VOE20459995	4							Screw		
9	VOE20964264	1							Sensor		(VOE20511126)



Date: <b>2014/1/24</b>	Image id: <b>1009971</b>	Catalogue: <b>20045</b>	Model: <b>L50E</b>
Brand: <b>Volvo</b>	Serial: <b>71001-72174</b>	Group/Section: <b>217/100</b>	Title: <b>Oil sump</b>



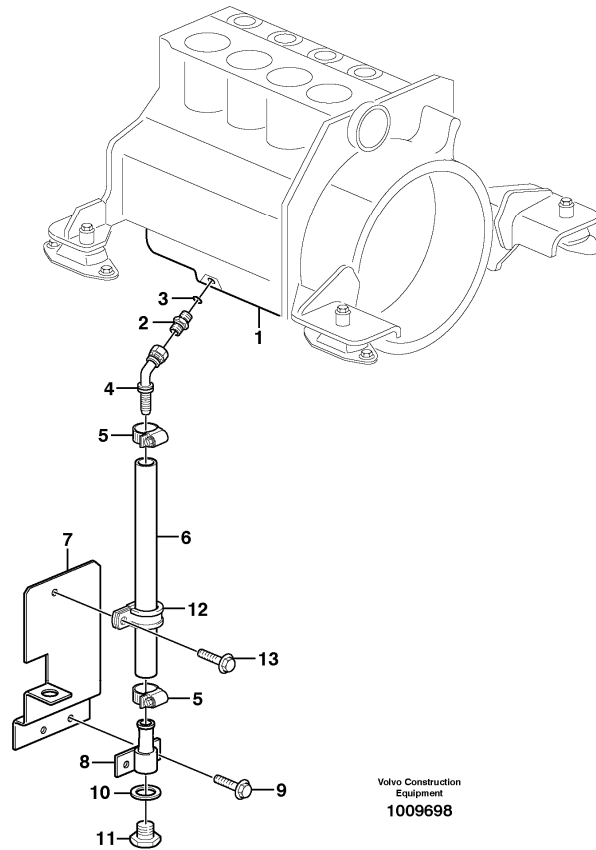
Volvo Construction  
Equipment  
1009971

Section option	Kit	Option description
VOE11410478		Engine D4D LAE2

Pos	Part	Q1	Q2	Q3	Q4	Q5	PS	Kit	Description	Option(s)	Remark
1	VOE20460018	1							Oil pan		
2	VOE20405506	1							•Plug		
3	VOE13947624	1							•Plane gasket		
4	VOE20460021	1							Gasket		
5		REQ					NS		Packing Compound		
6	VOE20405792	26							Screw		
7	VOE20496386	1							Filler neck		
8	VOE20405825	1							Gasket		
9	VOE20405885	2							Screw		
10	VOE20405835	1							Cap		
11	VOE20459164	1							Guide tube		

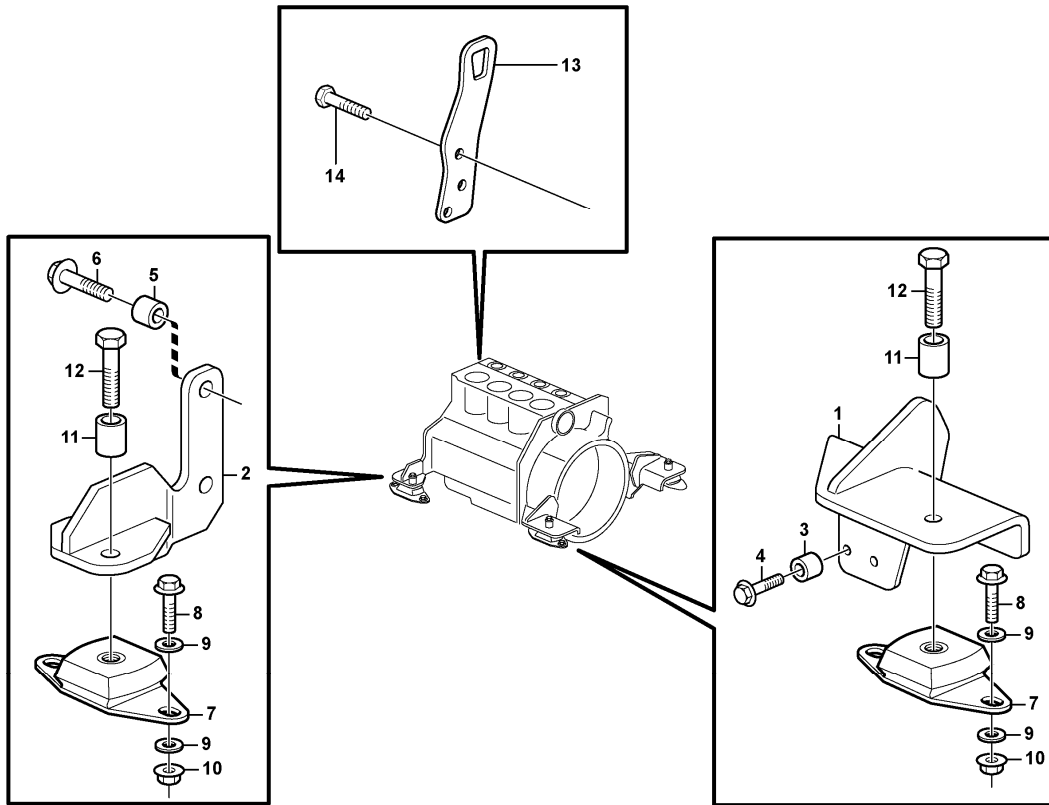
12	VOE24426240	1					SS		Dipstick		ENG - 01099408
12	VOE20912375	1							Dipstick		ENG 01099409 -
13	VOE20412343	2							•Sealing ring		

Date: <b>2014/1/24</b>	Image id: <b>1009698</b>	Catalogue: <b>20045</b>	Model: <b>L50E</b>
Brand: <b>Volvo</b>	Serial: <b>71001-72174</b>	Group/Section: <b>217/150</b>	Title: <b>Oil drain</b>



Pos	Part	Q1	Q2	Q3	Q4	Q5	PS	Kit	Description	Option(s)	Remark
1		1							Oil Pan		See ref 217/100
2	VOE4881646	1							Nipple		
3	VOE11993538	1							•O-ring		
		1					NS		•Back-up ring		
4	VOE6209648	1							Nipple		
5	VOE13943472	2							Hose clamp		
6	VOE13961191	REQ							Hydraulic hose		L = 520MM
7	11172578	1					NS		Bracket		
8	VOE11410656	1							Nipple		
9	VOE946671	2							Flange screw		
10	VOE947083	1							Gasket		
11	VOE960628	1							Plug		
12	VOE952633	1							Clamp		
13	VOE13946544	1							Screw		

Date: <b>2014/1/24</b>	Image id: <b>1017678</b>	Catalogue: <b>20045</b>	Model: <b>L50E</b>
Brand: <b>Volvo</b>	Serial: <b>71001-72174</b>	Group/Section: <b>218/100</b>	Title: <b>Engine mounting</b>

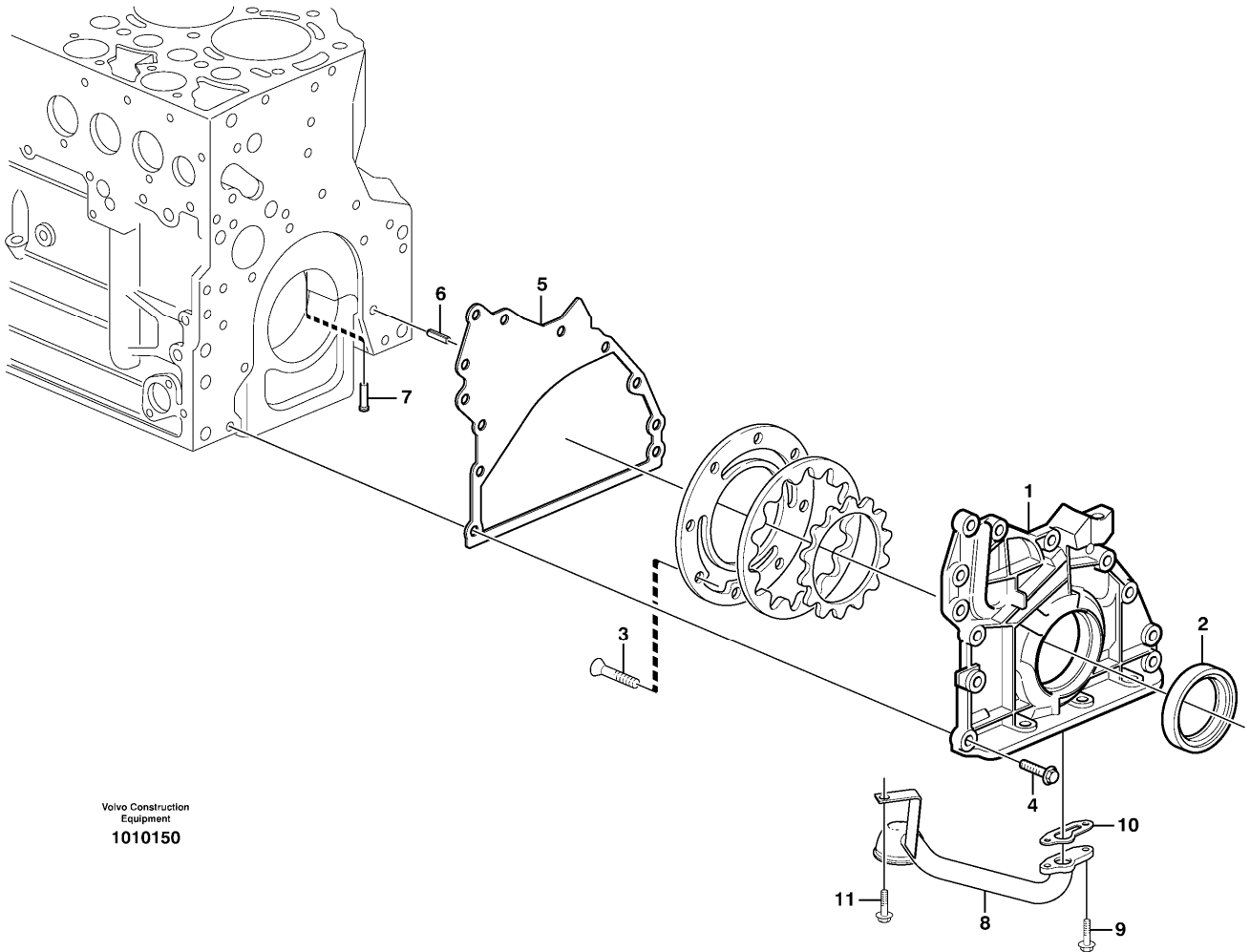


Volvo Construction  
Equipment  
1017678

Pos	Part	Q1	Q2	Q3	Q4	Q5	PS	Kit	Description	Option(s)	Remark
1	VOE11410392	1							Plate		LH
1	VOE11410391	1							Plate		RH
2	VOE11410404	1							Engine anchorage		LH
2	VOE11410383	1							Engine anchorage		RH
3	VOE4850822	8							Spacer		
4	VOE13965192	8							Screw		
5	VOE4713119	4							Spacer ring		
6	VOE13968302	4							Flange screw		
7	VOE11090592	4							Rubber cushion		
8	VOE13965192	8							Screw		
9	VOE13960145	16							Washer		
10	VOE971099	8							Flange lock nut		
11	VOE4713119	4							Spacer ring		
12	VOE13968302	4							Flange screw		
13	VOE20450854	2					OP		Lifting eye		



Date: <b>2014/1/24</b>	Image id: <b>1010150</b>	Catalogue: <b>20045</b>	Model: <b>L50E</b>
Brand: <b>Volvo</b>	Serial: <b>71001-72174</b>	Group/Section: <b>221/100</b>	Title: <b>Lubricating oil system</b>

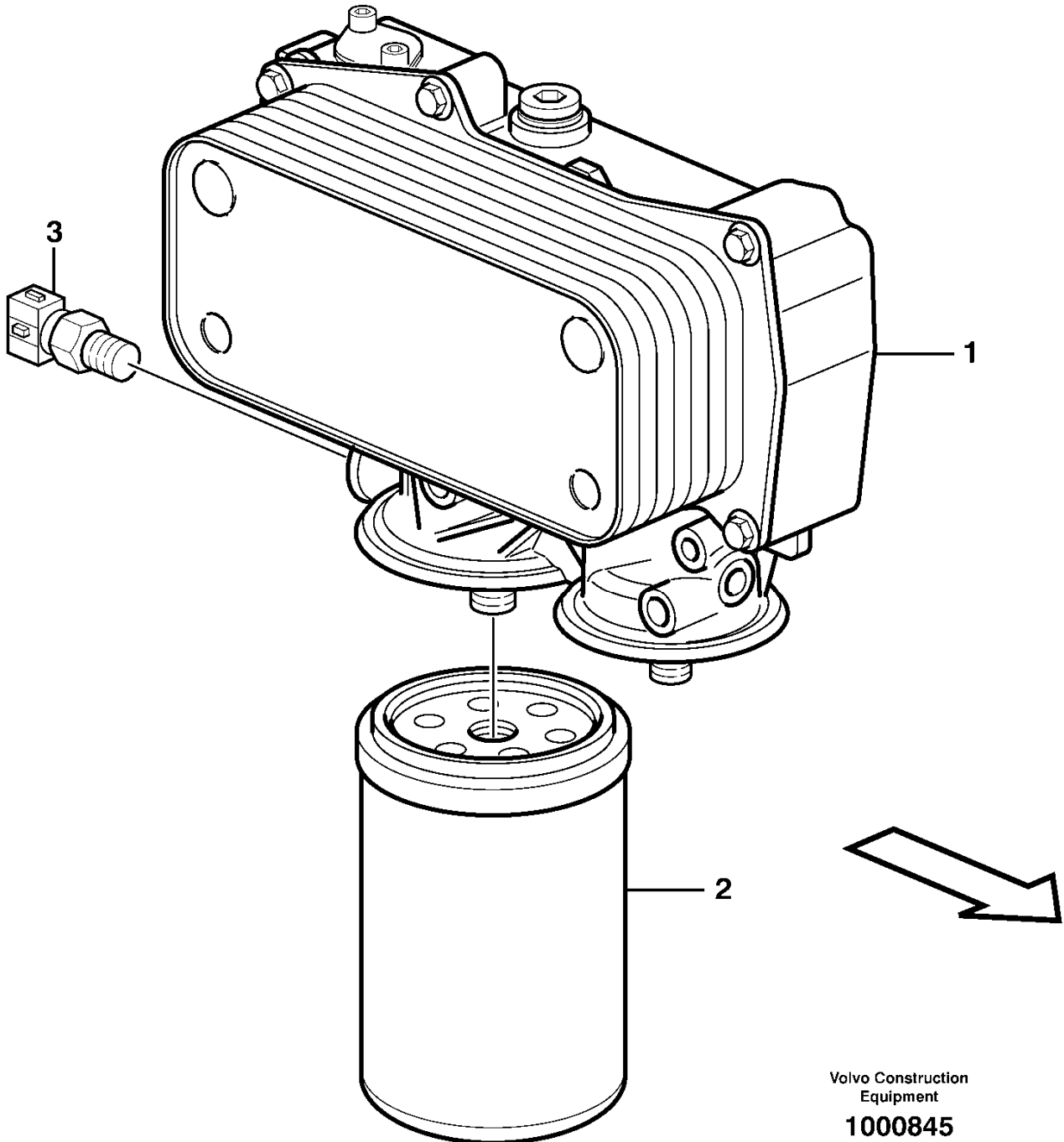


Section option	Kit	Option description
VOE11410478		Engine D4D LAE2

Pos	Part	Q1	Q2	Q3	Q4	Q5	PS	Kit	Description	Option(s)	Remark
1	VOE20726088	1							Lub Oil Pump		(VOE20476117)
2	VOE20459168	1							•Crankshaft seal		
3	VOE20451738	8							•Screw		
4	VOE20412324	10							Screw		
5	VOE20537029	1							Gasket		
6	VOE20405603	1							Spring pin		
7	VOE20405561	4							Piston		
8	VOE20460016	1							Oil pipe		
9	VOE13949578	2							Screw		
10	VOE20405888	1							Gasket		(VOE11700391)

11	VOE20405792	1						Screw		
----	-------------	---	--	--	--	--	--	-------	--	--

Date: <b>2014/1/24</b>	Image id: <b>1000845</b>	Catalogue: <b>20045</b>	Model: <b>L50E</b>
Brand: <b>Volvo</b>	Serial: <b>71001-72174</b>	Group/Section: <b>222/100</b>	Title: <b>Oil filter</b>



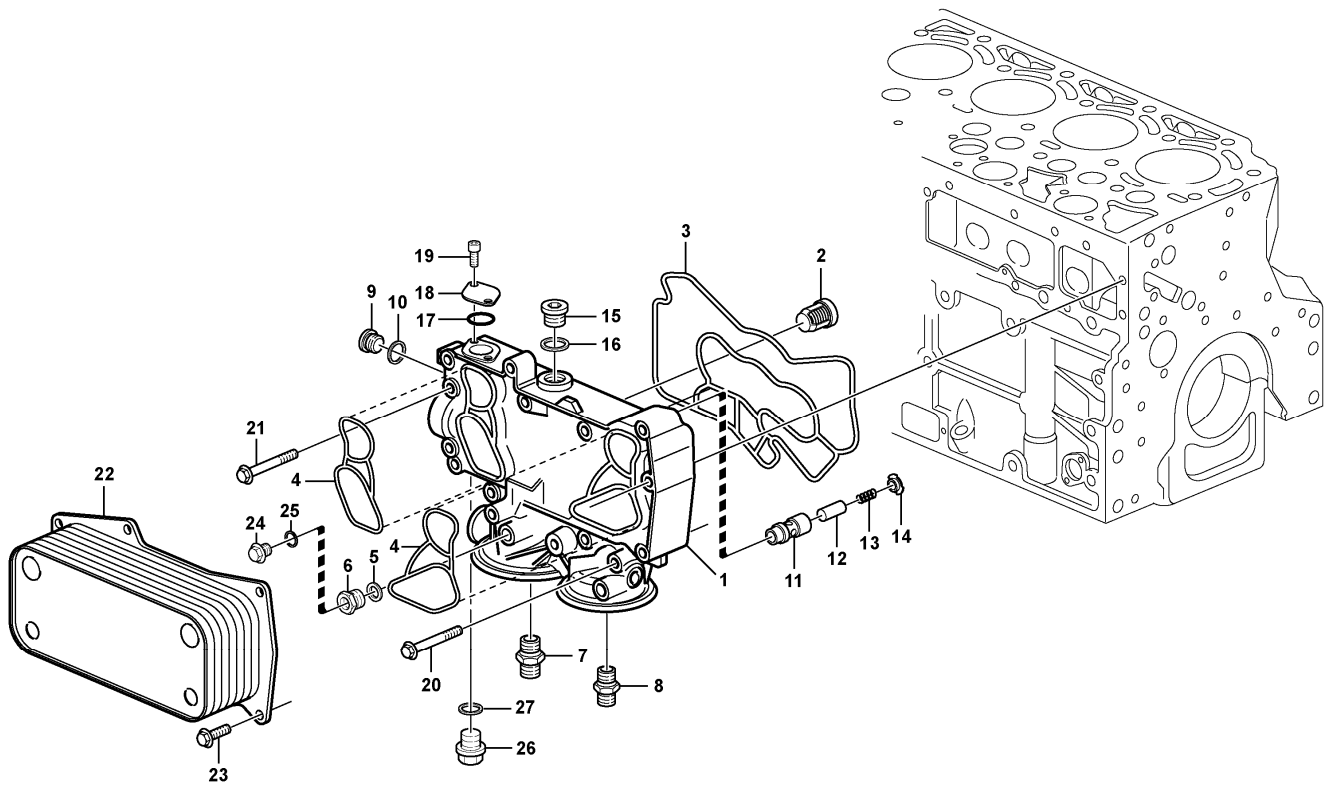
Volvo Construction  
Equipment  
**1000845**

Section option	Kit	Option description
VOE11410478		Engine D4D LAE2

Pos	Part	Q1	Q2	Q3	Q4	Q5	PS	Kit	Description	Option(s)	Remark
-----	------	----	----	----	----	----	----	-----	-------------	-----------	--------

1		1							Oil Cooler		See ref 223/100
2	VOE11700375	1							Oil filter		
3	VOE20450687	1							Sensor		ENG - 940127
3	VOE21291011	1							Pressure sensor		ENG 940128 -

Date: <b>2014/1/24</b>	Image id: <b>1054250</b>	Catalogue: <b>20045</b>	Model: <b>L50E</b>
Brand: <b>Volvo</b>	Serial: <b>71001-72174</b>	Group/Section: <b>223/100</b>	Title: <b>Oil cooler</b>



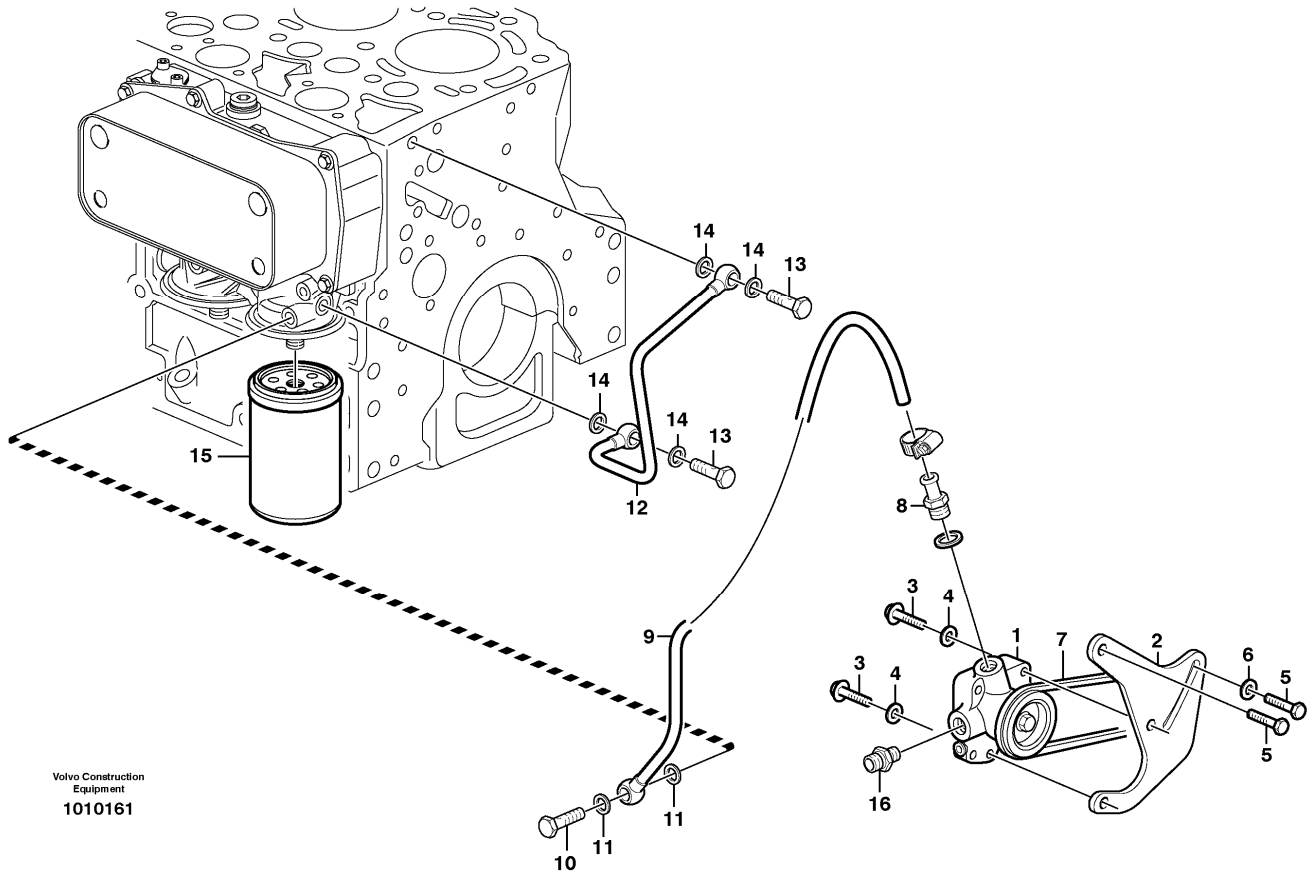
Volvo Construction  
Equipment  
1054250

Section option	Kit	Option description
VOE11410478		Engine D4D LAE2

Pos	Part	Q1	Q2	Q3	Q4	Q5	PS	Kit	Description	Option(s)	Remark
1	VOE21240959	1							Oil cooler		
2	VOE20459204	1							•Valve		
3	VOE20459203	1							•Gasket		
4	VOE20459202	2							•Gasket		
5	VOE13969011	1							•Gasket		
6	VOE21100412	1							•Screw		
7	VOE20459201	1							•Nipple		
8	VOE20459200	1							•Nipple		(VOE20549894)
9	VOE20502245	1							•Screw plug		
10	VOE13947622	1							•Plane gasket		
11	VOE21100405	1							•Valve seat		
12	VOE20862028	1							•Control plunger		

13	VOE21100407	1							•Spring		
14	VOE21100410	1							•Sleeve		
15	VOE20459195	1							•Plug		
16	VOE13947628	1							•Plane gasket		
17	VOE20405599	1							•Sealing ring		
18	VOE21072778	1							•Flange		
19	VOE20405885	2							•Screw		
20	VOE20405917	3							•Screw		
21	VOE20405672	5							•Screw		
22	VOE20532396	1							Oil Cooler		
23	VOE20405885	7							Screw		
24	VOE20450895	1							Plug		
24	VOE21011809	1							Plug		INCL. SEALING RING
25	VOE13947281	1							Gasket		
26	VOE888474	1							Plug		
27	VOE20450890	1							Sealing ring		

Date: <b>2014/1/24</b>	Image id: <b>1010161</b>	Catalogue: <b>20045</b>	Model: <b>L50E</b>
Brand: <b>Volvo</b>	Serial: <b>71001-72174</b>	Group/Section: <b>233/100</b>	Title: <b>Fuel pump</b>



Section option	Kit	Option description
VOE11410478		Engine D4D LAE2

Pos	Part	Q1	Q2	Q3	Q4	Q5	PS	Kit	Description	Option(s)	Remark
1	VOE21203674	1							Fuel pump		(VOE20537030)
2	VOE20880927	1							Bracket		(VOE20460032)ENG - 01099408
2	VOE20880927	1							Bracket		ENG 01099409 -
3	VOE20498538	2							Screw		(VOE11700474)
4	VOE20460063	2							Spring washer		
5	VOE20783276	2							Hexagon screw		
6	VOE20405734	1							Washer		
7		1							V-belt		See ref 262/100
8	VOE20405767	1							Hose nipple		(VOE11702725)
9	VOE20460044	1							Fuel pipe		
10	VOE7025167	1							Hollow screw		
11	VOE976929	2							Gasket		



**Suggest:**

**For more complete manuals. Please go to the home page.**

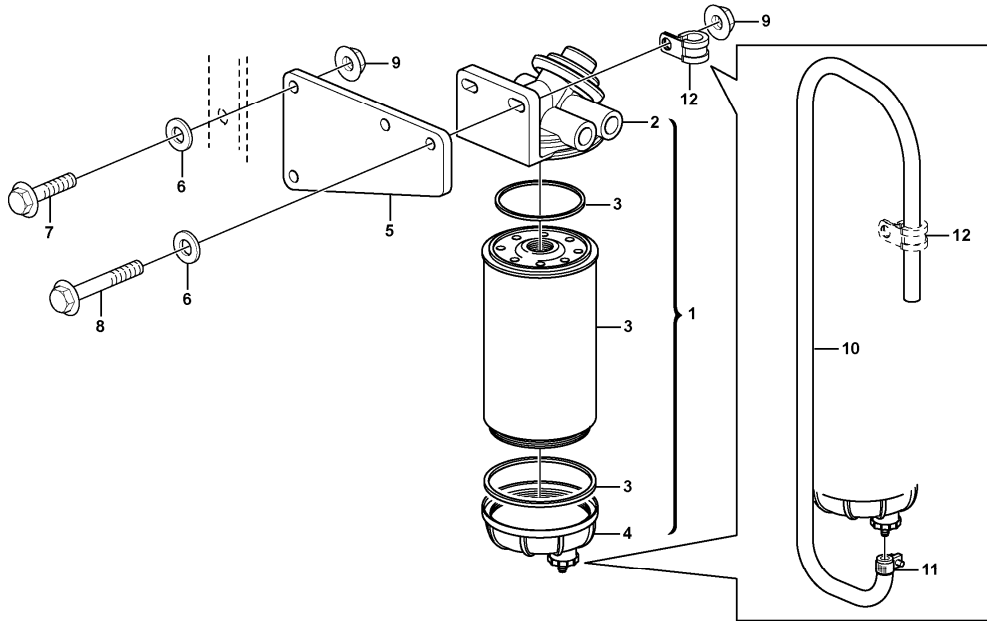
**<https://www.ebooklibonline.com>**

**If the above button click is invalid. Please download this document first, and then click the above link to download the complete manual.**

**Thank you so much for reading**

12	VOE20791434	1							Fuel pipe		
13	VOE7025167	2							•Hollow screw		
14	VOE13969011	4							•Gasket		
11	VOE20405729	2							Screw		
12	VOE973494	1							Washer		(VOE20459183)
13	VOE20460045	2							Clamp		
14	VOE20481769	1							Bushing		
15	VOE11708555	1							Fuel filter		
16		1							Connector		See ref 235/100

Date: <b>2014/1/24</b>	Image id: <b>1016604</b>	Catalogue: <b>20045</b>	Model: <b>L50E</b>
Brand: <b>Volvo</b>	Serial: <b>71001-72174</b>	Group/Section: <b>233/200</b>	Title: <b>Water separator</b>



Volvo Construction  
Equipment  
1016604

Q1-Q5	Option	Option description	
Q1 11110471			
Q2 11110670			

Pos	Part	Q1	Q2	Q3	Q4	Q5	PS	Kit	Description	Option(s)	Remark
1	VOE11110471	1					SS		Water separator		
1	VOE11110670		1						Water separator		
2	VOE11713138	1							•Filter housing		
3	VOE11110474	1	1						•Primary filter		
4	VOE3943382	1							•Bowl		
5	VOE11410596	1	1						Anchorage		
6	VOE13960143	8	8						Washer		
7	VOE946472	2	2						Flange screw		
8	VOE13965185	2	2						Screw		
9	VOE13971098	4	4						Flange nut		
10	VOE949908	REQ	REQ						Hose		L = 730MM

**<https://www.ebooklibonline.com>**

Hello dear friend!

Thank you very much for reading.

Enter the link into your browser.

The full manual is available for immediate download.

**<https://www.ebooklibonline.com>**