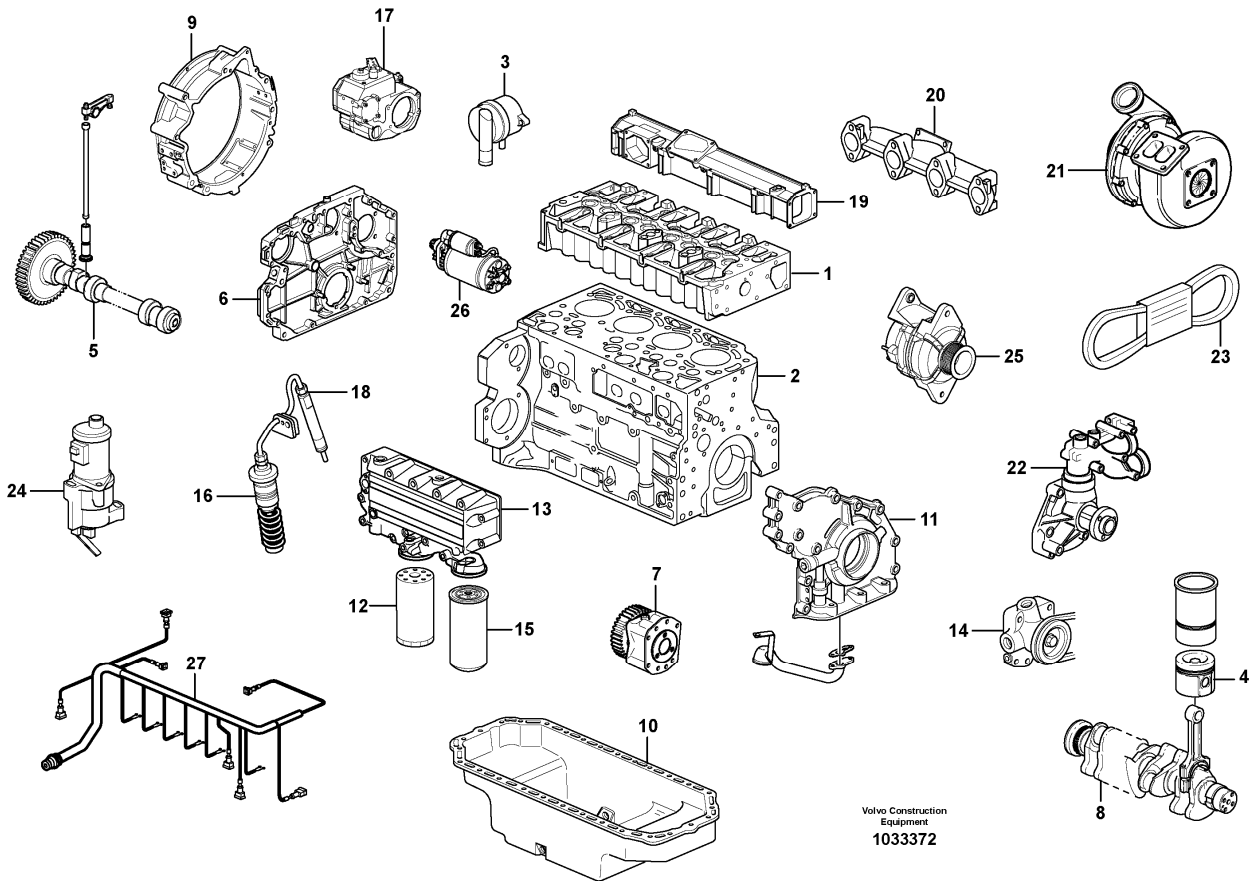


Date: 2013/11/10	Image id: 1033372	Catalogue: 20042	Model: L45B
Brand: Volvo	Serial: 1941500-1949999, 1951500-1959999	Group/Section: 210/100	Title: Engine



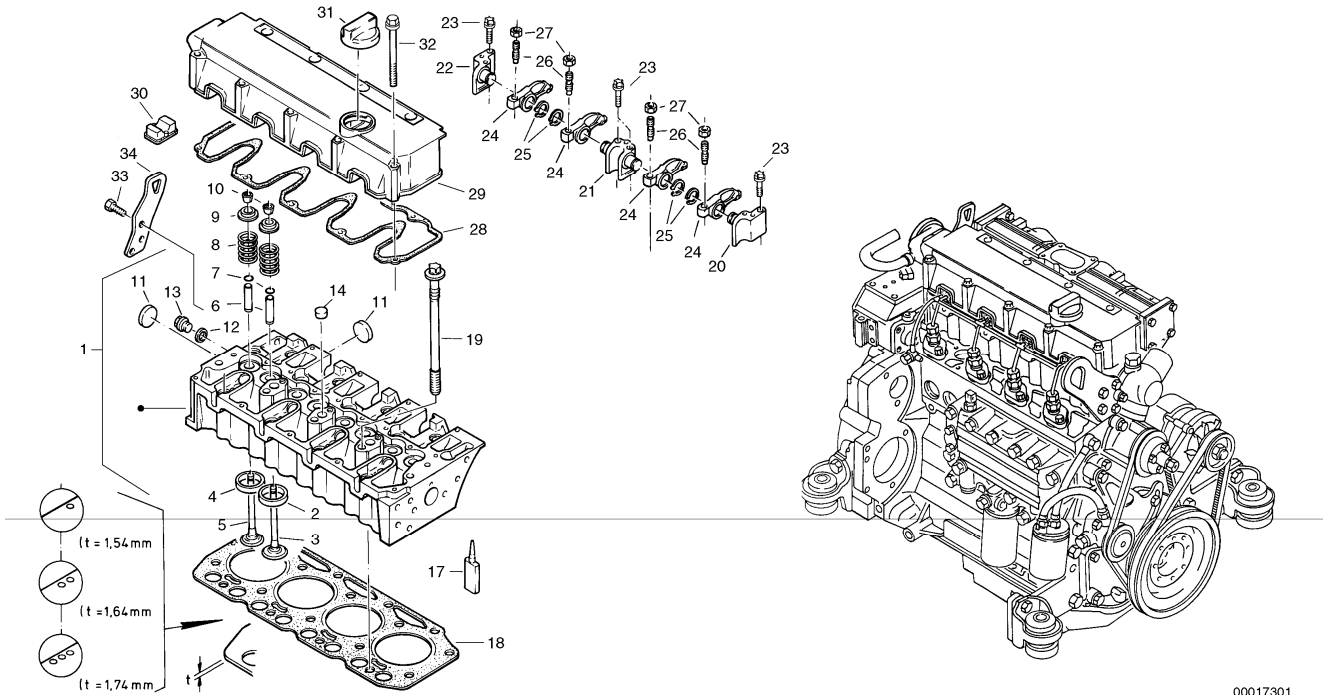
Section option	Kit	Option description
VOE15202333		Engine
VOE15202334		Engine

Q1-Q5	Option	Option description	
Q1 1943001-			
Q2 1953001-			

Pos	Part	Q1	Q2	Q3	Q4	Q5	PS	Kit	Description	Option(s)	Remark
	VOE15202333	1	1						Engine		
	VOE15202334	1	1						Engine		
1		1	1						•Cylinder head		See ref 211/110
2		1	1						•Crankcase		See ref 212/110
3		1	1						•Crankcase ventilation		See ref 212/200

4		1	1						•Piston		See ref 213/110
5		1	1						•Valve mechanism		See ref 214/100
6		1	1						•Timing gear casing		See ref 215/210
7		1	1						•Pump drive		See ref 215/300
8		1	1						•Crankshaft		See ref 216/110
9		1	1						•Flywheel Hsg		See ref 216/200
10		1	1						•Oil sump		See ref 217/110
11		1	1						•Lubricating system		See ref 221/100
12		1	1						•Oil filter		See ref 222/100
13		1	1						•Oil cooler		See ref 223/110
14		1	1						•Fuel pump		See ref 233/110
15		1	1						•Fuel Filter		See ref 233/150
16		1	1						•Injection pump		See ref 236/110
17		1	1						•Regulator		See ref 236/200
18		1	1						•Injector		See ref 237/110
19		1	1						•Inlet Manifold		See ref 251/100
20		1	1						•Exhaust pipe		See ref 251/100
21		1	1						•Turbocharger		See ref 255/110
22		1	1						•Coolant Pump		See ref 262/110
23		1	1						•Belt Xmsn		See ref 263/100
24		1	1						•Stop solenoid		See ref 273/110
25		1	1						•Alternator		See ref 321/110
26		1	1						•Starter motor		See ref 331/110
27		1	1						•Cable harness		See ref 371/110

Date: 2013/11/10	Image id: 00017301	Catalogue: 20042	Model: L45B
Brand: Volvo	Serial: 1941500-1949999, 1951500-1959999	Group/Section: 211/100	Title: Cylinder head, timing gears



00017301

Q1-Q5	Option	Option description	
Q1 1941500-194300 0			
Q2 1951500-195300 0			

Pos	Part	Q1	Q2	Q3	Q4	Q5	PS	Kit	Description	Option(s)	Remark
1	VOE20405500	1	1						Cylinder head		(ZM2908404)
2	VOE20459962	4	4						•Valve seat		(ZM2904014)
3	VOE20714469	4	4						•Inlet valve		(ZM2906922)
4	VOE20459963	4	4						•Valve seat		(ZM2904017)
5	VOE20565912	4	4						•Exhaust Valve		(ZM2906923)
6	VOE20405897	8	8						•Valve guide		
7	VOE11700348	8	8						•O-ring		
8	VOE11700347	8	8						•Valve spring		
9	VOE11700346	8	8						•Washer		
10	VOE11700345	16	16						•Valve sleeve		
11	VOE20412745	4	4						•Core plug		36
12	VOE13947628	1	1						•Plane gasket		

<https://www.ebooklibonline.com>

Hello dear friend!

Thank you very much for reading.

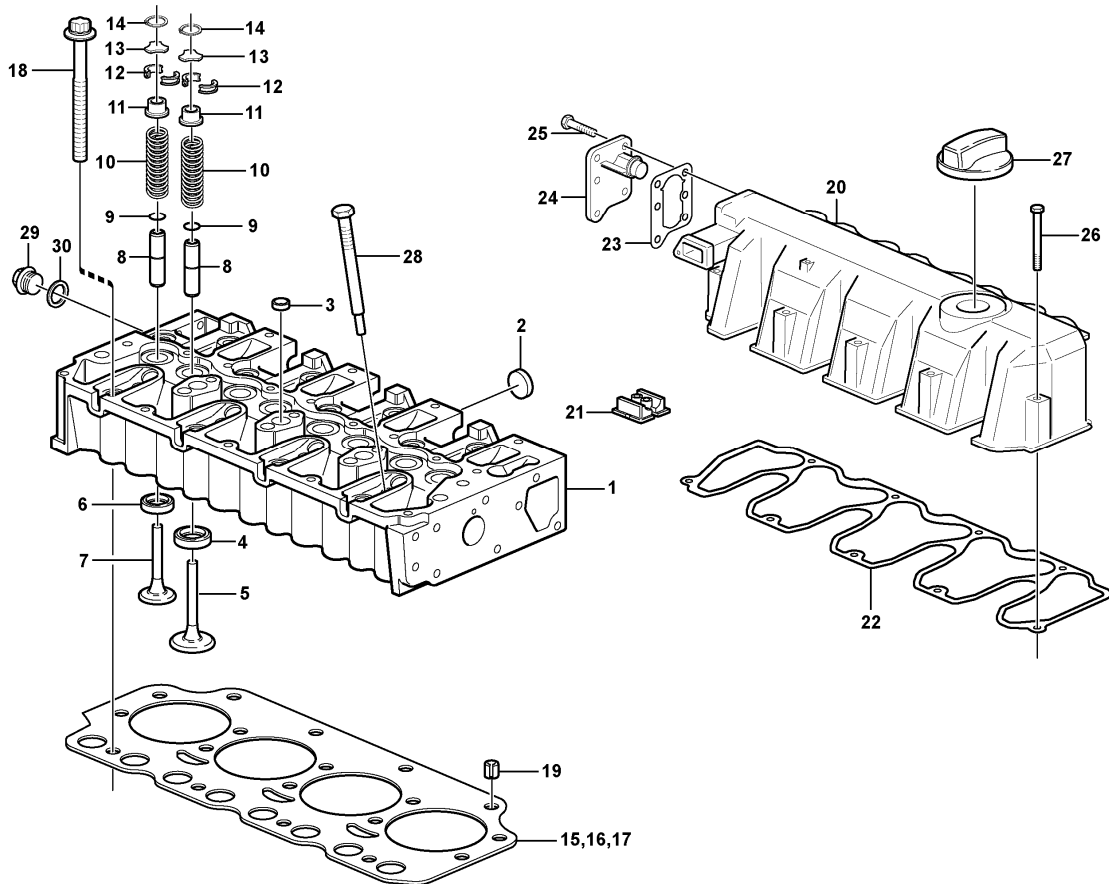
Enter the link into your browser.

The full manual is available for immediate download.

<https://www.ebooklibonline.com>

13	VOE20464451	1	1						•Plug		(ZM2908403)
14	VOE20412745	3	3						•Core plug		
17	ZM2903912	REQ	REQ					OP	Locking agent		
18	VOE11700335	1	1						Cylinder head gasket		1,54 mm
18	VOE11700336	REQ	REQ						Cylinder head gasket		1,64 mm
18	VOE11700337	REQ	REQ						Cylinder head gasket		1,74 mm
19	VOE11700334	18	18						Screw		
20	VOE11700367	1	1						Bearing bracket		
21	VOE11700368	3	3						Bearing bracket		
22	VOE11700369	1	1						Bearing bracket		
23	VOE20459853	14	14						Screw		
24	VOE11700370	8	8						Rocker arm		
25	VOE945495	8	8						Retaining ring		21x1,2
26	VOE20405524	8	8						Screw		
27	VOE11700373	8	8						Nut		
28	VOE20412588	1	1						Gasket		
29	VOE20725337	1	1						Valve Cover		
30	VOE20412590	1	1						•Cap		
31	ZM2900334	1	1						Filler cap		
32	ZM2906925	9	9					SS	Screw		
33	ZM5225782	3	3						Screw		
34	ZM2900487	1	1						Plate		

Date: 2013/11/10	Image id: 1033150	Catalogue: 20042	Model: L45B
Brand: Volvo	Serial: 1941500-1949999, 1951500-1959999	Group/Section: 211/110	Title: Cylinder head



Volvo Construction
Equipment
1033150

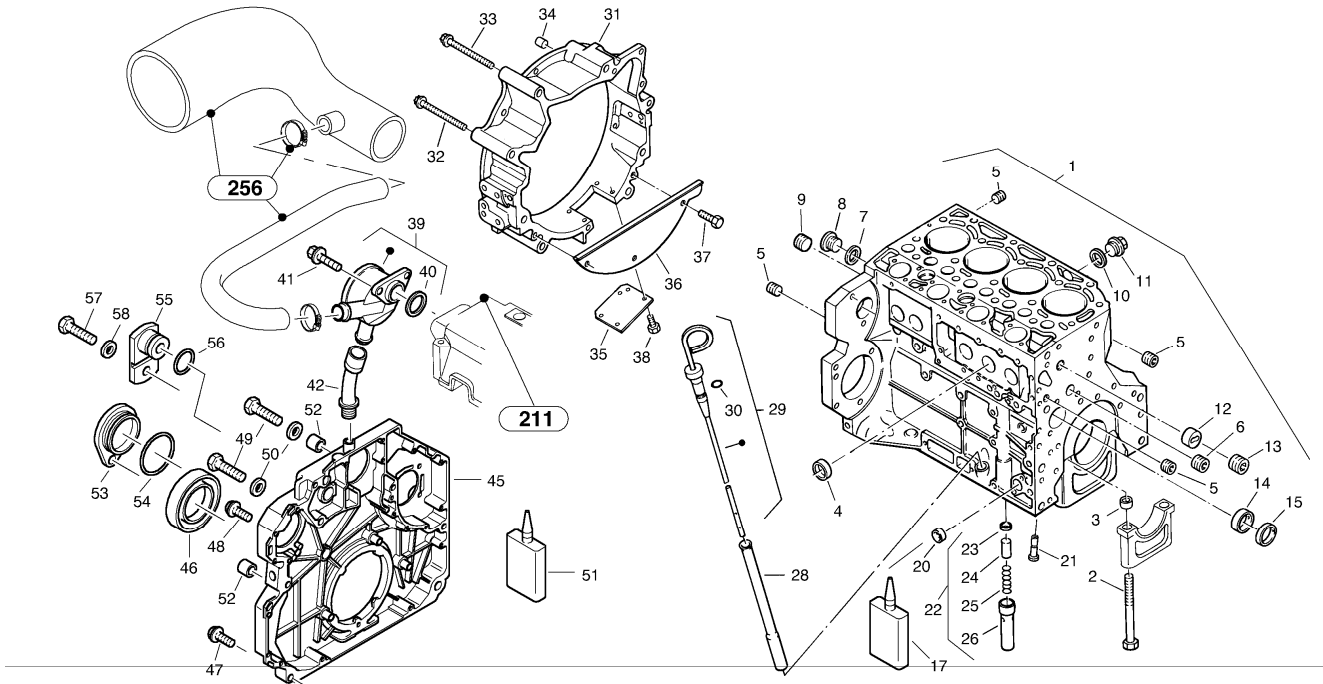
Section option	Kit	Option description
VOE15202333		Engine
VOE15202334		Engine

Q1-Q5	Option	Option description	
Q1 1943001-			
Q2 1953001-			

Pos	Part	Q1	Q2	Q3	Q4	Q5	PS	Kit	Description	Option(s)	Remark
1	VOE21147059	1	1						Cylinder head		
2	VOE20799722	3	3						•Plug		
3	VOE20412733	3	3						•Core plug		
4	VOE20459962	4	4						•Valve seat		
5	VOE20758481	4	4						•Inlet valve		
6	VOE20845144	4	4						•Valve seat		

7	VOE21739130	4	4						•Exhaust Valve		(VOE20755883)
8	VOE20405897	8	8						•Valve guide		
9	VOE11700348	8	8						•O-ring		
10	VOE11700347	8	8						•Valve spring		
11	VOE20847155	8	8						•Retainer		
12	VOE11700345	16	16						•Valve sleeve		
13	VOE20840807	8	8						•Thrust Washer		
14	VOE20840772	8	8						•Snap Ring		
15		1	1				NS		Cyl Head Gasket		1 BORE THICK = 1,4 MM
16	VOE20970720	1	1						Cylinder head gasket		2 BORES THICK = 1,5 MM
17	VOE20970725	1	1						Cylinder head gasket		3 BORES THICK = 1,6 MM
18	VOE11700334	18	18						Screw		
19	VOE20405521	2	2						Guide pin		
20	VOE21134652	1	1						Valve cover		
21	VOE20412600	1	1						•Cap		
22	VOE20972267	1	1						•Valve gasket		
23	VOE20840801	1	1						•Gasket		
24	VOE20933359	1	1						•Oil Separator		
25	VOE20797542	6	6						•Screw		
26	VOE21145471	9	9						•Flange screw		
27	VOE20412589	1	1						Filler cap		
28	VOE21291288	1	1						Glow plug		(VOE20783049)
29	VOE960628	1	1						Plug		
30	VOE13947281	1	1						Gasket		

Date: 2013/11/10	Image id: 00040700	Catalogue: 20042	Model: L45B
Brand: Volvo	Serial: 1941500-1949999, 1951500-1959999	Group/Section: 212/100	Title: Engine casing, Ventilation



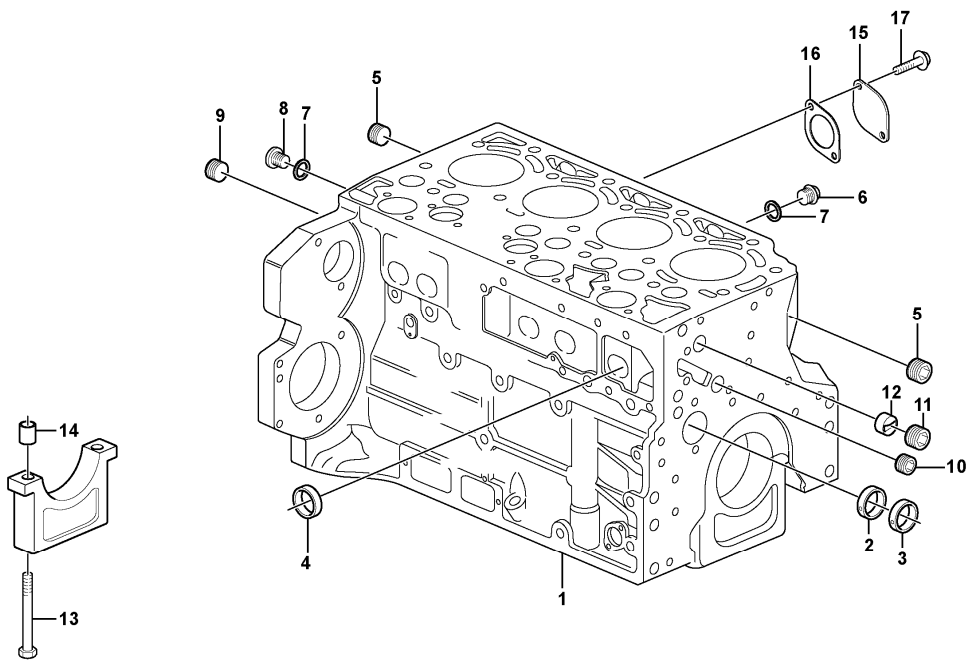
00040700

Q1-Q5	Option	Option description	
Q1 1941500-194300 0			
Q2 1951500-195300 0			

Pos	Part	Q1	Q2	Q3	Q4	Q5	PS	Kit	Description	Option(s)	Remark
1	VOE20557730	1	1						Cylinder Block		
2	VOE20405583	10	10						•Bolt		
3	VOE11700278	10	10						•Bushing		
4	VOE20405721	6	6						•Core plug		
5	VOE20508600	2	2						•Plug		
6	VOE20405719	1	1						•Plug		
7	VOE13969011	1	1						•Gasket		A14x18
8	VOE20460000	1	1						•Plug		
9	VOE20785813	1	1						•Plug		
10	VOE13947621	1	1						•Plane gasket		A14x18
11	VOE20405716	2	2						•Plug		M14x1,5
12	VOE20405584	1	1						•Guide sleeve		

13	VOE20405717	1	1						•Plug		
14	VOE11700285	1	1						•Bearing bushing		
15	VOE11700284	4	4						•Bearing bushing		
17	ZM2904058	1	1						Locking agent		
20	VOE20412745	1	1						Core plug		36
21	VOE20405561	1	1						Piston		
22	VOE11700271	1	1						Delivery valve		
23	VOE20405904	1	1						•Ring		
24	ZM2906910	1	1				OP		•Valve piston		
25	VOE20405896	1	1						•Compression spring		(ZM2903914)
26	ZM2906911	1	1						•Sleeve		
28	VOE20450869	1	1						Guide tube		(ZM2903918)
29	VOE20580446	1	1						Dipstick		ENG - 01097763
29	VOE20912366	1	1						Dipstick		ENG 01097764 -
30	VOE20412343	1	1						•Sealing ring		
31	VOE20580535	1	1						Housing		
32	VOE20405714	2	2						Screw		(VOE20501343)
33	VOE20405715	4	4						Screw		
34	VOE20585971	2	2						Bushing		
35	VOE20547288	1	1						Cover Plate		
36	VOE20459989	1	1						Cover		
37	VOE20405729	3	3						Screw		M6x10
38	VOE20405729	4	4						Screw		(ZM8095001)M6x12
39	VOE20405626	1	1						Regulator		
40	VOE20405627	1	1						•Gasket		
41	VOE20450728	2	2						Bolt		
42	VOE20405625	1	1						Rubber sleeve		
45	VOE20592784	1	1						Casing		
46	VOE20412286	1	1						Sealing ring		
47	VOE20412324	12	12						Screw		
48	VOE20405709	4	4						Screw		
49	VOE20405653	2	2				SS		Screw		
50	VOE13955900	2	2						Washer		(ZM7098746)A17
51	ZM2903828	REQ	REQ				OP		Locking agent		
52	VOE20585971	2	2						Bushing		
53	VOE20706651	1	1						Cover		(ZM2907356)
54	VOE20405652	1	1						Sealing ring		(VOE11700625)82x4
55	VOE20405553	1	1						Cover		
56	VOE20405707	1	1						Sealing ring		
57	VOE20405706	1	1						Screw		
58	VOE973494	1	1						Washer		(ZM2908463)

Date: 2013/11/10	Image id: 1056302	Catalogue: 20042	Model: L45B
Brand: Volvo	Serial: 1941500-1949999, 1951500-1959999	Group/Section: 212/110	Title: Cylinder block



Volvo Construction
Equipment
1056302

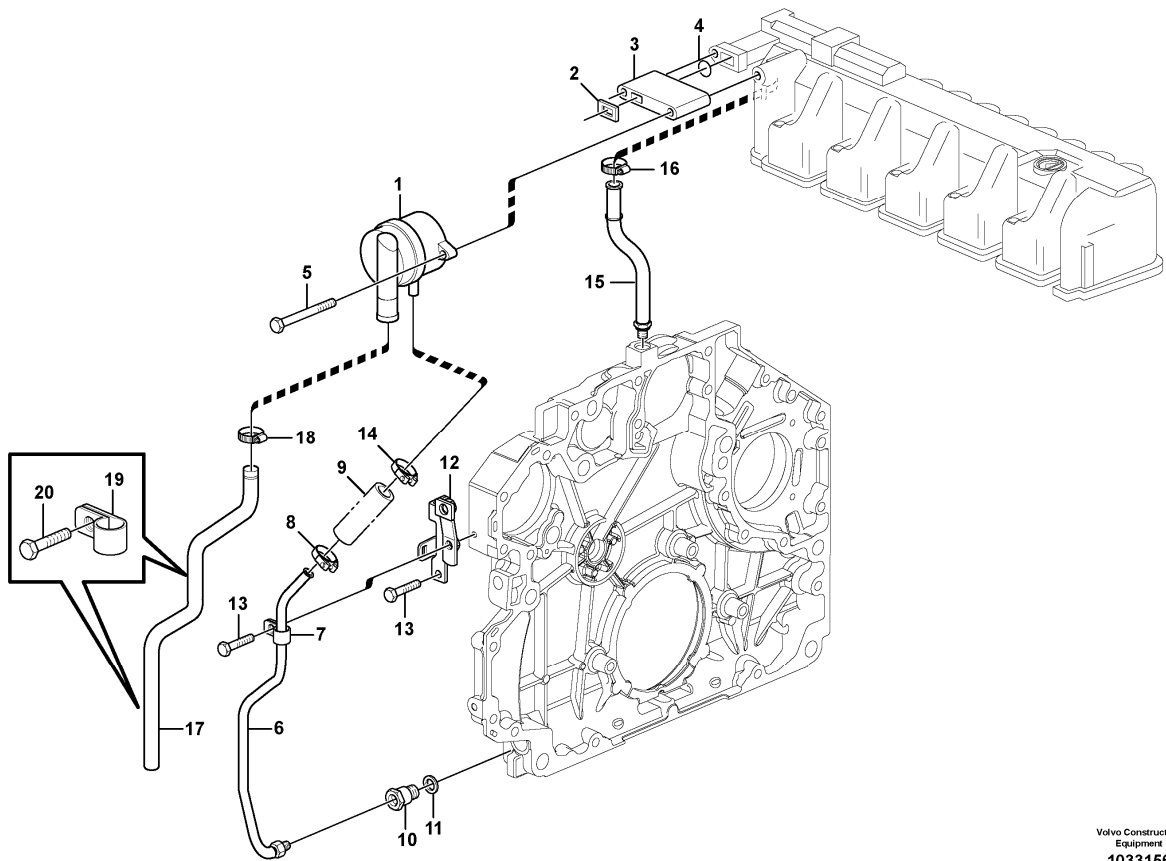
Section option	Kit	Option description
VOE15202333		Engine
VOE15202334		Engine

Q1-Q5	Option	Option description	
Q1 1943001-			
Q2 1953001-			

Pos	Part	Q1	Q2	Q3	Q4	Q5	PS	Kit	Description	Option(s)	Remark
1	VOE20555442	1	1						Crankcase		
2	VOE11700285	1	1						•Bearing bushing		
3	VOE11700284	4	4						•Bearing bushing		
4	VOE20405721	6	6						•Core plug		
5	VOE20508600	2	2						•Plug		
6	VOE20405716	2	2						•Plug		

7	VOE13969011	4	4						•Gasket		
8	VOE945065	2	2						•Plug		
9	VOE20785813	1	1						•Plug		
10	VOE20405719	1	1						•Plug		
11	VOE20405717	1	1						•Plug		
12	VOE20405584	1	1						•Guide sleeve		
13	VOE20405583	10	10						•Bolt		
14	VOE11700278	10	10						•Bushing		
15	VOE21180405	1	1						Flange		
16	VOE20412341	1	1						Gasket		
17	VOE20405885	2	2						Screw		

Date: 2013/11/10	Image id: 1033156	Catalogue: 20042	Model: L45B
Brand: Volvo	Serial: 1941500-1949999, 1951500-1959999	Group/Section: 212/200	Title: Crankcase ventilation



Volvo Construction
Equipment
1033156

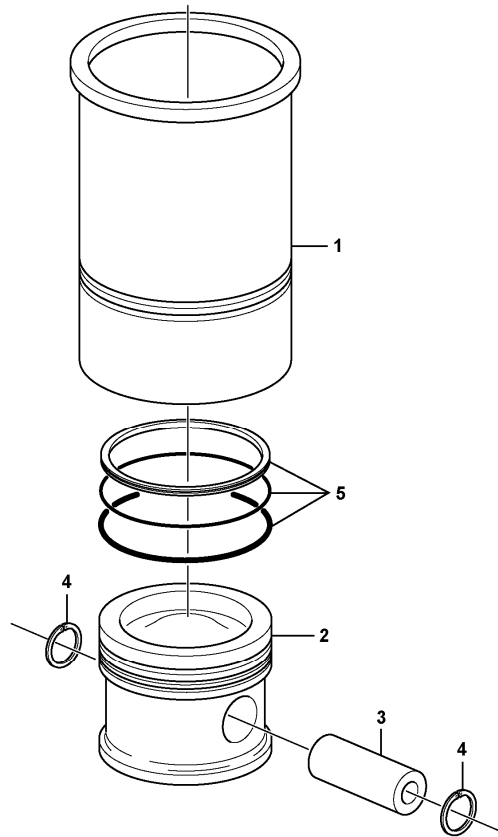
Section option	Kit	Option description
VOE15202333		Engine
VOE15202334		Engine

Q1-Q5	Option	Option description
Q1 1943001-		
Q2 1953001-		

Pos	Part	Q1	Q2	Q3	Q4	Q5	PS	Kit	Description	Option(s)	Remark
1	VOE20930510	1	1						Pressure regulator		
2	VOE21038626	1	1						•Gasket		
3	VOE21248205	1	1						Adapter		(VOE21155194)
4	VOE21155195	1	1						Sealing		
5	VOE20792140	2	2						Hexagon screw		
6	VOE21155219	1	1						Return line		

7	VOE20798831	1	1						•Clamp		
8	VOE20405568	2	2						•Clip		
9	VOE20821091	1	1				NS		•Rubber hose		
10	VOE20841133	1	1						Dtt Regulator		
11	VOE20460026	1	1						Sealing ring		
12	VOE21155220	1	1						Retaining plate		
13	VOE20405729	2	2						Screw		
14	VOE20971607	1	1						Clamp		
15	VOE20971646	1	1						Oil Return Pipe		
16	VOE20799673	1	1						Hose Clamp		
17	VOE21155285	1	1						Tube		
18	VOE20405755	1	1						Clamping band		
19	VOE20798837	2	2						Clamp		
20	VOE20405885	2	2						Screw		

Date: 2013/11/10	Image id: 1024633	Catalogue: 20042	Model: L45B
Brand: Volvo	Serial: 1941500-1949999, 1951500-1959999	Group/Section: 213/100	Title: Cylinder bush and piston

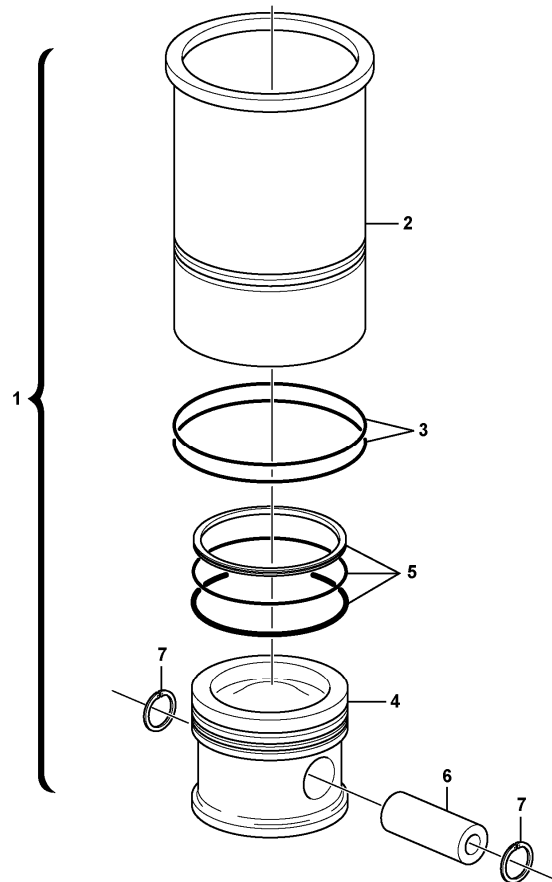


Volvo Construction
Equipment
1024633

Q1-Q5	Option	Option description	
Q1 1941500-194300 0			
Q2 1951500-195300 0			

Pos	Part	Q1	Q2	Q3	Q4	Q5	PS	Kit	Description	Option(s)	Remark
1	VOE20854650	4	4						Cyl Liner Kit		
2		4	4				NS		•Piston		
3	VOE20405577	4	4						••Gudgeon pin		
4	VOE20405576	8	8						••Retaining ring		
5	VOE21299547	4	4						••Piston ring kit		(VOE20450775)

Date: 2013/11/10	Image id: 1026946	Catalogue: 20042	Model: L45B
Brand: Volvo	Serial: 1941500-1949999, 1951500-1959999	Group/Section: 213/110	Title: Cylinder liner and piston



Volvo Construction
Equipment
1026946

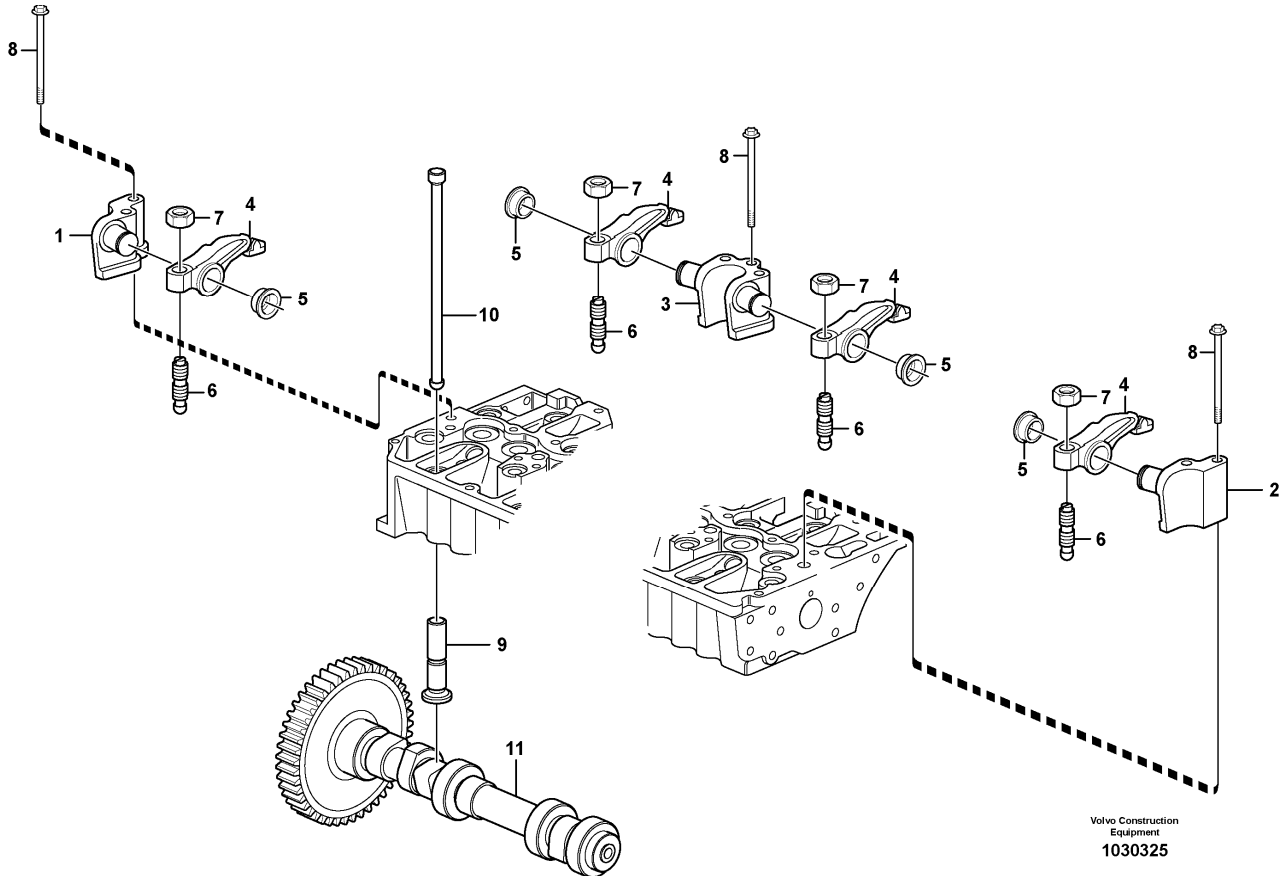
Section option	Kit	Option description
VOE15202333		Engine
VOE15202334		Engine

Q1-Q5	Option	Option description	
Q1 1943001-			
Q2 1953001-			

Pos	Part	Q1	Q2	Q3	Q4	Q5	PS	Kit	Description	Option(s)	Remark
1	VOE20865990	4	4						Cyl Liner Kit		
2		4	4				NS		•Cylinder Liner		
3	VOE20412762	8	8						•O-ring		
4		4	4				NS		•Piston		
5	VOE21299547	4	4						•Piston ring kit		(VOE20450775)
6	VOE20405577	4	4						•Gudgeon pin		

7	VOE20405576	8	8						•Retaining ring		
---	-------------	---	---	--	--	--	--	--	-----------------	--	--

Date: 2013/11/10	Image id: 1030325	Catalogue: 20042	Model: L45B
Brand: Volvo	Serial: 1941500-1949999, 1951500-1959999	Group/Section: 214/100	Title: Valve mechanism



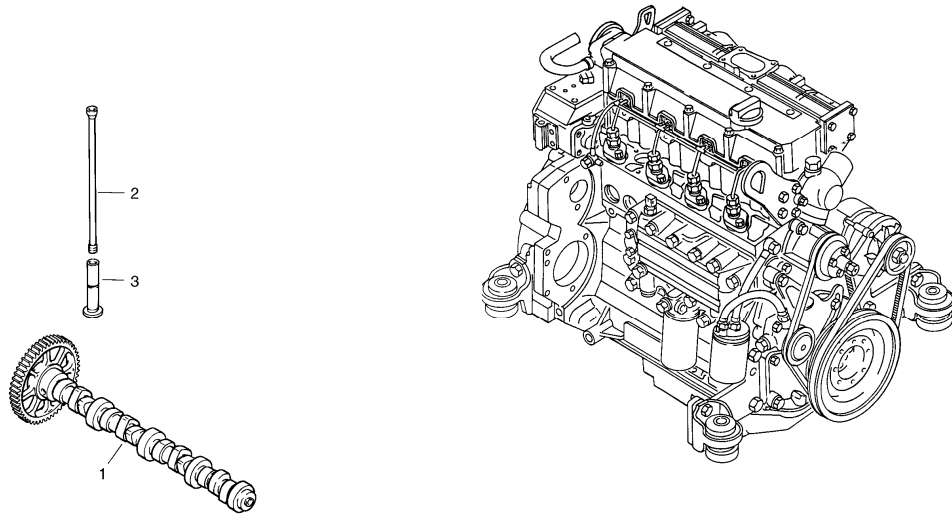
Section option	Kit	Option description
VOE15202333		Engine
VOE15202334		Engine

Q1-Q5	Option	Option description	
Q1 1943001-			
Q2 1953001-			

Pos	Part	Q1	Q2	Q3	Q4	Q5	PS	Kit	Description	Option(s)	Remark
1	VOE20805520	1	1						Rkr Arm Shaft		
2	VOE20805512	1	1						Rkr Arm Shaft		
3	VOE20805516	3	3						Rkr Arm Shaft		
4	VOE21448926	8	8						Rocker arm		(VOE20792876)
5	VOE20794115	8	8						Retaining ring		
6	VOE20913851	8	8						Adjusting Screw		
7	VOE11700373	8	8						Nut		
8	VOE20405723	10	10						Screw		

9	VOE11700366	8	8						Tappet		
10	VOE20405534	8	8						Push rod		
11	VOE21271245	1	1						Camshaft		(VOE21147012)

Date: 2013/11/10	Image id: 00016901	Catalogue: 20042	Model: L45B
Brand: Volvo	Serial: 1941500-1949999, 1951500-1959999	Group/Section: 215/100	Title: Camshaft

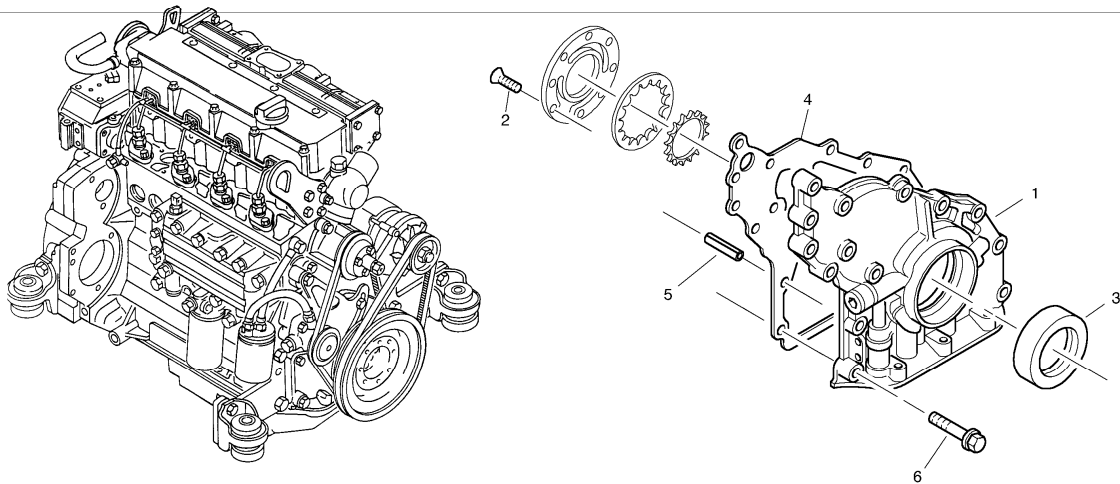


00016901

Q1-Q5	Option	Option description	
Q1 1941500-194300 0			
Q2 1951500-195300 0			

Pos	Part	Q1	Q2	Q3	Q4	Q5	PS	Kit	Description	Option(s)	Remark
1	VOE21264838	1	1						Camshaft		(VOE20550358)
2	VOE20405534	8	8						Push rod		
3	VOE11700366	8	8						Tappet		

Date: 2013/11/10	Image id: 00017201	Catalogue: 20042	Model: L45B
Brand: Volvo	Serial: 1941500-1949999, 1951500-1959999	Group/Section: 215/200	Title: Timing gear housing (front cover with oil pump)

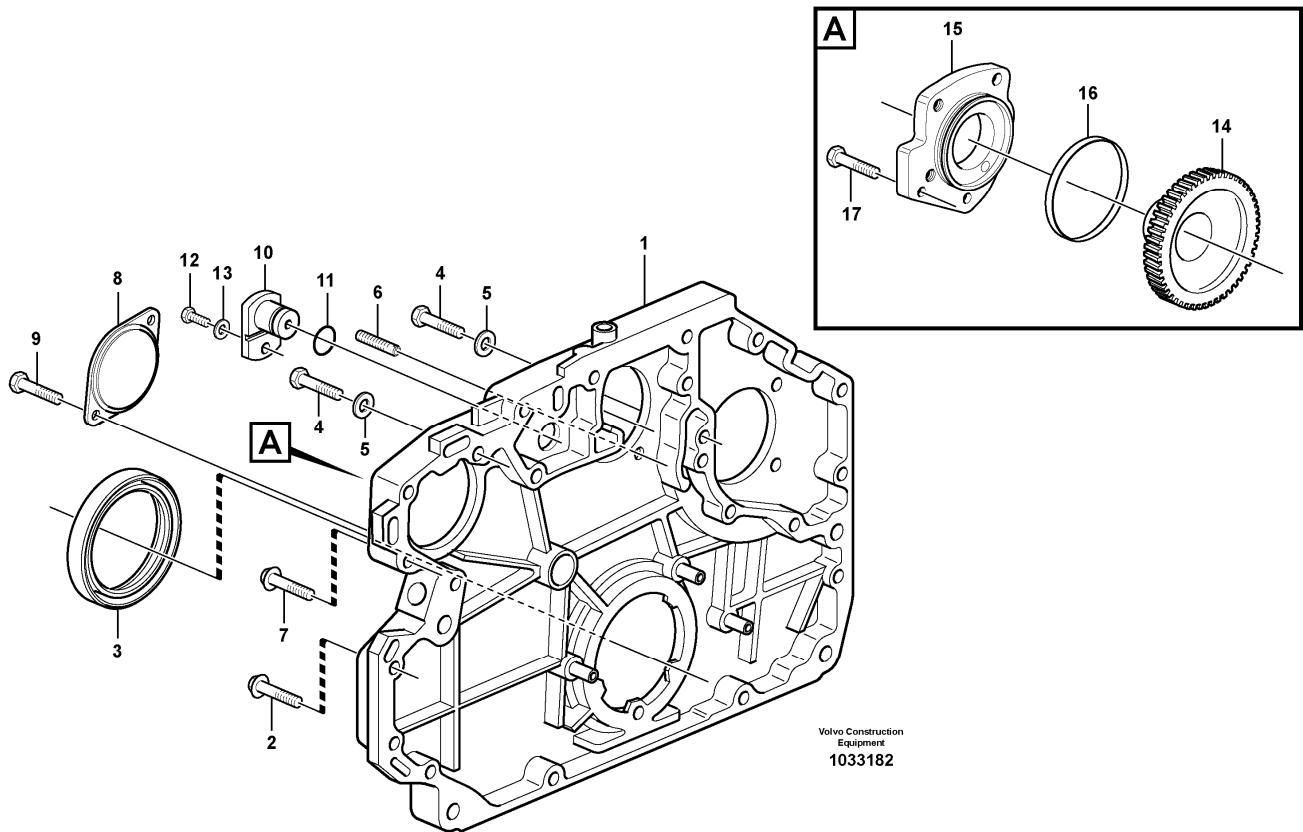


00017201

Q1-Q5	Option	Option description	
Q1 1941500-194300 0			
Q2 1951500-195300 0			

Pos	Part	Q1	Q2	Q3	Q4	Q5	PS	Kit	Description	Option(s)	Remark
1	VOE21600195	1	1						Oil pump housing		(VOE20882047)
2	VOE20451738	8	8						•Screw		
3	VOE20412568	1	1						•Sealing ring		
4	VOE11700265	1	1				SS		Gasket		
5	VOE20405603	1	1						Spring pin		(ZM2902626)
6	VOE20412324	14	14						Screw		

Date: 2013/11/10	Image id: 1033182	Catalogue: 20042	Model: L45B
Brand: Volvo	Serial: 1941500-1949999, 1951500-1959999	Group/Section: 215/210	Title: Timing gear casing



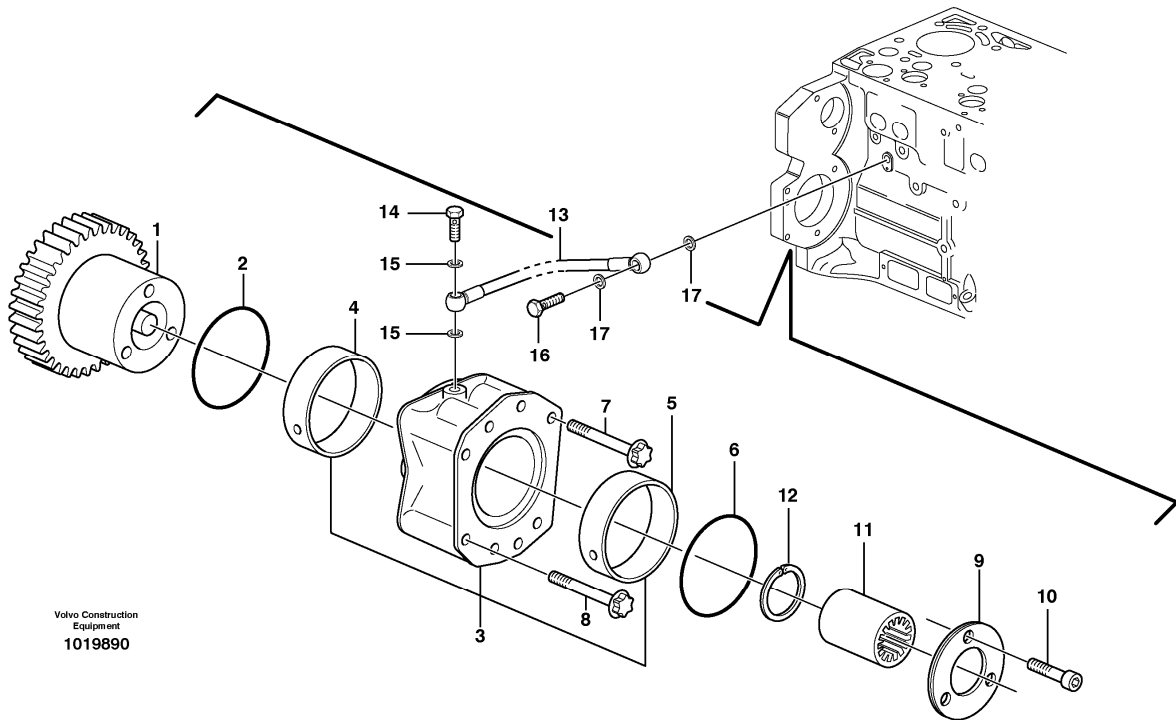
Section option	Kit	Option description
VOE15202333		Engine
VOE15202334		Engine

Q1-Q5	Option	Option description	
Q1 1943001-			
Q2 1953001-			

Pos	Part	Q1	Q2	Q3	Q4	Q5	PS	Kit	Description	Option(s)	Remark
1	VOE21155415	1	1						Flywheel housing		
2	VOE20412324	12	12						Screw		
3	VOE20412286	1	1						Sealing ring		
4	VOE20405653	2	2				SS		Screw		
5	VOE13955900	2	2						Washer		
6	VOE20450795	1	1						Set screw		

7	VOE20405709	1	1						Screw		
8	VOE20950063	1	1						Cover		
9	VOE20405709	2	2						Screw		
10	VOE20405553	1	1						Cover		
11	VOE20459904	1	1						Sealing ring		
12	VOE20450694	1	1						Screw		
13	VOE973494	1	1						Washer		
14	VOE20916167	1	1						Gear		
15	VOE21101972	1	1						Flange		
16	VOE20405652	1	1						Sealing ring		
17	VOE20460508	1	1						Screw		

Date: 2013/11/10	Image id: 1019890	Catalogue: 20042	Model: L45B
Brand: Volvo	Serial: 1941500-1949999, 1951500-1959999	Group/Section: 215/300	Title: Pump drive power take-off



Volvo Construction
Equipment
1019890

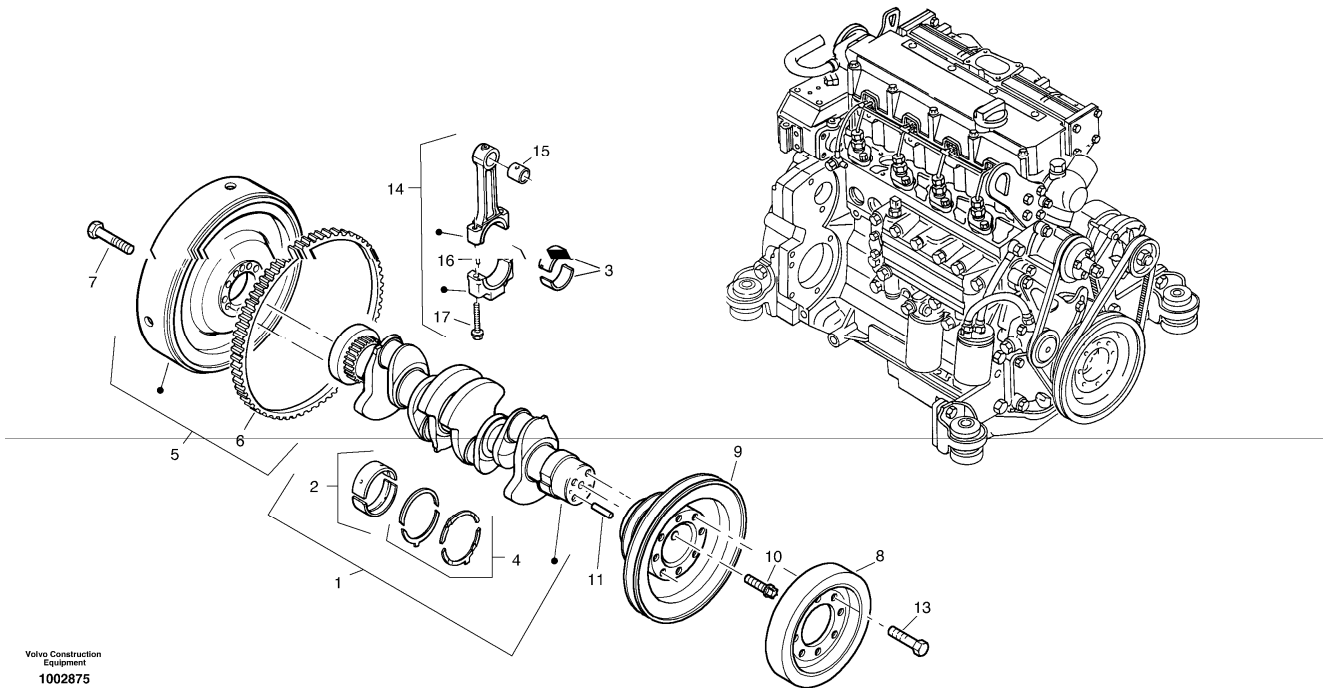
Section option	Kit	Option description
VOE15202333		Engine
VOE15202334		Engine

Q1-Q5	Option	Option description	
Q1 1943001-			
Q2 1953001-			

Pos	Part	Q1	Q2	Q3	Q4	Q5	PS	Kit	Description	Option(s)	Remark
1	VOE20900806	1	1						Gear		
2	VOE20450818	1	1						O-ring		
3	VOE20450805	1	1						Bearing flange		
4	VOE20450807	1	1						•Bushing		
5	VOE20450809	1	1						•Bushing		
6	VOE20450819	1	1						O-ring		

7	VOE20450821	2	2						Screw		
8	VOE21077470	2	2						Screw		
9	VOE20450811	1	1						Thrust washer		
10	VOE20450822	3	3						Screw		
11	VOE20459123	1	1						Sleeve		
12	VOE20450815	1	1				OP		•Retaining ring		
13	VOE20450980	1	1						Oil line		
14	VOE7025167	1	1						Hollow screw		
15	VOE13947281	2	2						Gasket		
16	VOE980973	1	1						Hollow screw		
17	VOE13947621	2	2						Plane gasket		

Date: 2013/11/10	Image id: 1002875	Catalogue: 20042	Model: L45B
Brand: Volvo	Serial: 1941500-1949999, 1951500-1959999	Group/Section: 216/100	Title: Crankshaft

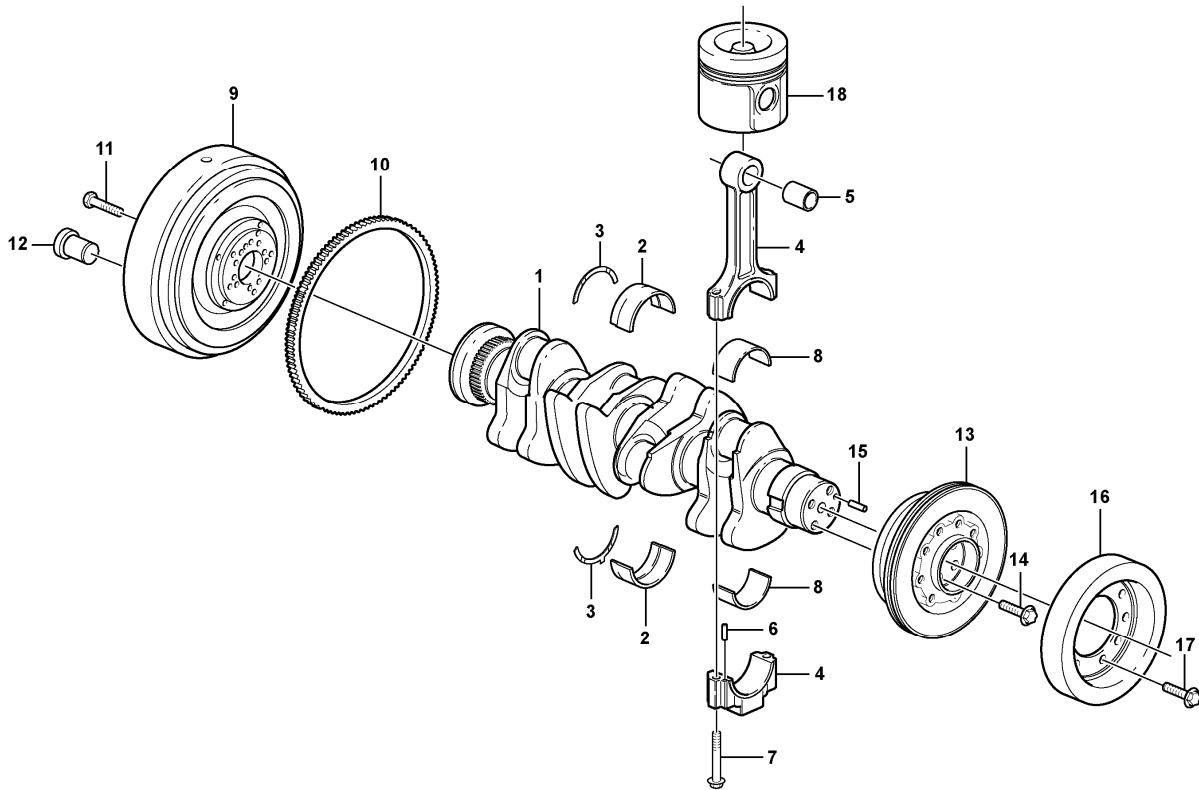


Q1-Q5	Option	Option description	
Q1 1941500-194300 0			
Q2 1951500-195300 0			

Pos	Part	Q1	Q2	Q3	Q4	Q5	PS	Kit	Description	Option(s)	Remark
1	VOE20405540	1	1						Crankshaft		ENG - 01098271
1	VOE20893968	1	1						Crankshaft		ENG 01098272 -
2	VOE21141948	5	5						•Main bearing		(VOE20405516)STD 85,00 MM
2	VOE21234191	REQ	REQ						•Main bearing		(VOE20405529)U SZ 84,75 MM
2	VOE20405541	REQ	REQ						•Main bearing		U SZ 84,50 MM
3	VOE20565150	4	4						•Bearing		(VOE11700316)STD 68,00 MM
3	VOE20717211	REQ	REQ						•Big-end Bearing		U SZ 67,75 MM
3	VOE20565188	REQ	REQ						•Big-end Bearing		U SZ 67,50 MM
4	VOE20405899	1	1						•Thrust Washer		2,9 mm
4	VOE21141963	REQ	REQ						•Raceway washer		(VOE11700315)3,1 mm

5	VOE20459128	1	1						Flywheel		
6	VOE21033328	1	1						•Gear Ring		
7	VOE20405654	10	10						Bolt		
8	VOE20459925	1	1						Vibration absorber		
9	VOE20515162	1	1						Pulley		
10	VOE20460199	4	4						Screw		
11	VOE20405634	1	1						Spring pin		
13	VOE888289	9	9						Hexagon screw		(VOE11709826)
14	VOE20585982	4	4						Connecting Rod		(VOE11700324)
15	VOE11700325	1	1						•Bushing		
16	VOE20459134	2	2						•Pin		
17	VOE11700326	2	2						•Bolt		

Date: 2013/11/10	Image id: 1033188	Catalogue: 20042	Model: L45B
Brand: Volvo	Serial: 1941500-1949999, 1951500-1959999	Group/Section: 216/110	Title: Crankshaft and related parts



Volvo Construction
Equipment
1033188

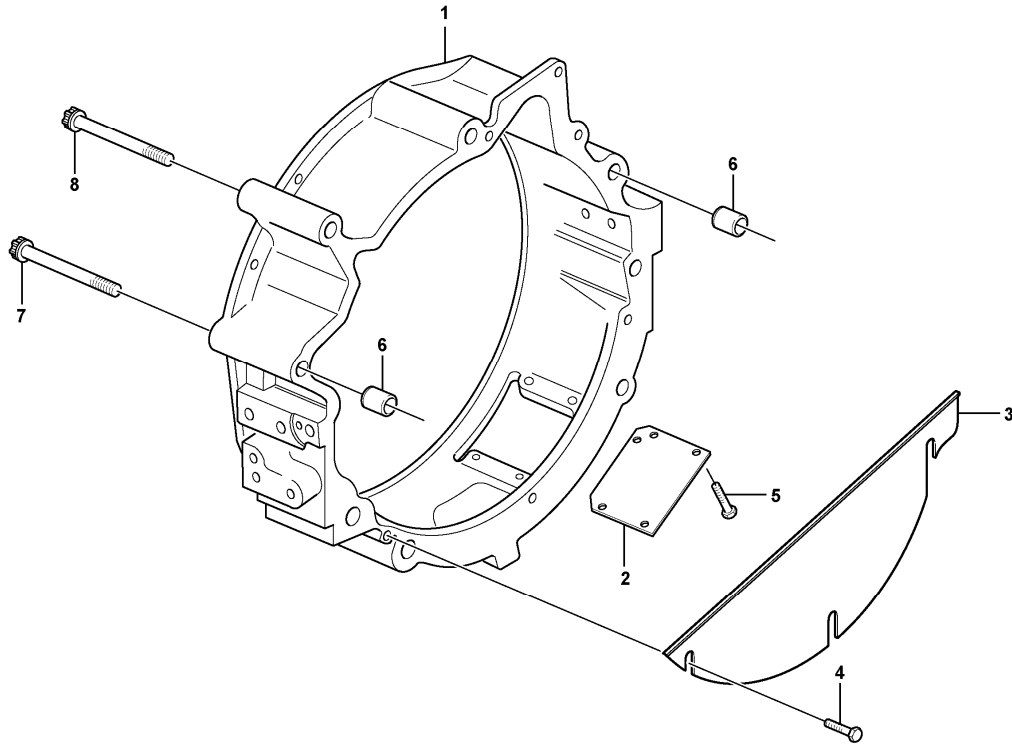
Section option	Kit	Option description
VOE15202333		Engine
VOE15202334		Engine

Q1-Q5	Option	Option description
Q1 1943001-		
Q2 1953001-		

Pos	Part	Q1	Q2	Q3	Q4	Q5	PS	Kit	Description	Option(s)	Remark
1	VOE20900811	1	1						Crankshaft		
2	VOE21141948	5	5						Main bearing		STD 85,00 MM
2	VOE21234191	REQ	REQ						Main bearing		(VOE20405529)U SZ 84,75 MM
2	VOE20405541	REQ	REQ						Main bearing		U SZ 84,50 MM
3	VOE21141955	1	1						Raceway washer		STD THICK = 2,9 MM

3	VOE21141963	REQ	REQ						Raceway washer		THICK = 3,1 MM
4	VOE20585982	4	4						Connecting Rod		
5	VOE11700325	4	4						•Bushing		
6	VOE20459134	8	8						•Pin		
7	VOE11700326	8	8						•Bolt		
8	VOE20766790	4	4						Big-end Bearing		STD 68,00 MM
8	VOE20790423	REQ	REQ						Big-end Bearing		U SZ 67,75 MM
8	VOE20790428	REQ	REQ						Big-end Bearing		U SZ 67,50 MM
9	VOE20459128	1	1						Flywheel		
10	VOE21033328	1	1						•Gear Ring		
11	VOE20405654	10	10						Bolt		
12	VOE20405643	1	1						Plug		
13	VOE20515162	1	1						Pulley		
14	VOE20405724	4	4						Screw		
15	VOE20405634	1	1						Spring pin		
16	VOE20459925	1	1						Vibration absorber		
17	VOE888289	8	8						Hexagon screw		(VOE11709826)
18		1	1						Piston		See ref 213/110

Date: 2013/11/10	Image id: 1027113	Catalogue: 20042	Model: L45B
Brand: Volvo	Serial: 1941500-1949999, 1951500-1959999	Group/Section: 216/200	Title: Flywheel housing



Volvo Construction
Equipment
1027113

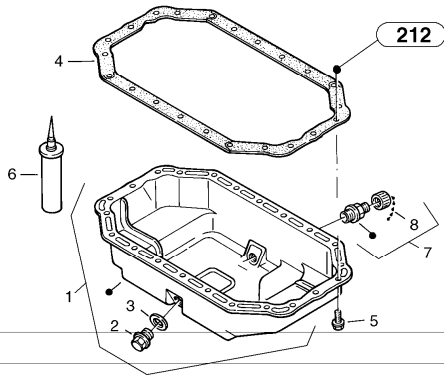
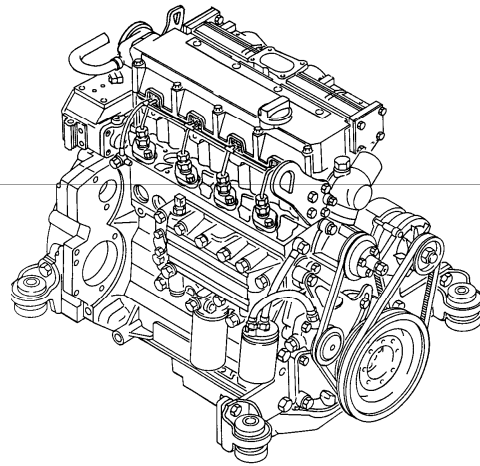
Section option	Kit	Option description
VOE15202333		Engine
VOE15202334		Engine

Q1-Q5	Option	Option description	
Q1 1943001-			
Q2 1953001-			

Pos	Part	Q1	Q2	Q3	Q4	Q5	PS	Kit	Description	Option(s)	Remark
1	VOE20580535	1	1						Housing		
2	VOE20547288	1	1						Cover Plate		
3	VOE20459989	1	1						Cover		
4	VOE20405729	3	3						Screw		
5	VOE20405729	4	4						Screw		
6	VOE20585971	2	2						Bushing		

7	VOE20405714	2	2					Screw		M12X160
8	VOE20405715	4	4					Screw		M16X150

Date: 2013/11/10	Image id: 00016101	Catalogue: 20042	Model: L45B
Brand: Volvo	Serial: 1941500-1949999, 1951500-1959999	Group/Section: 217/100	Title: Oil sump

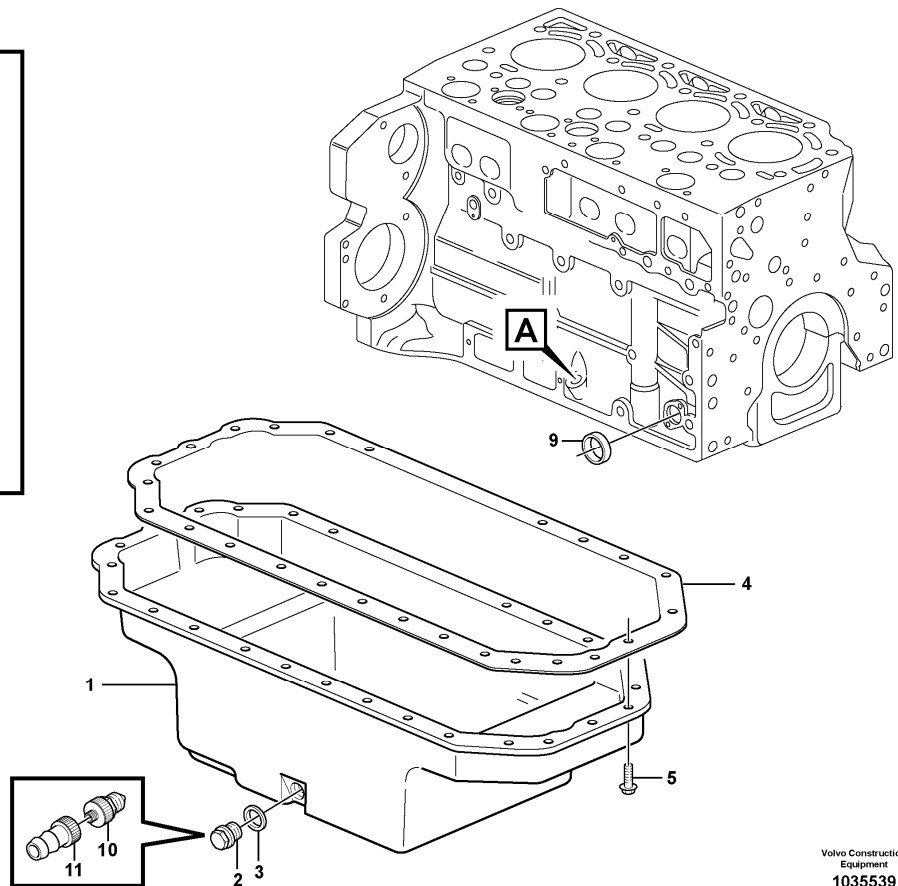
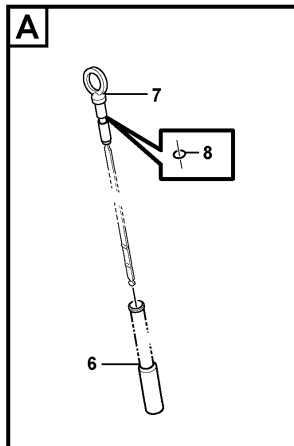


00016101

Q1-Q5	Option	Option description	
Q1 1941500-194300 0			
Q2 1951500-195300 0			

Pos	Part	Q1	Q2	Q3	Q4	Q5	PS	Kit	Description	Option(s)	Remark
1	VOE11700301	1	1						Oil pan		
2	VOE20405506	1	1						•Plug		M18x1,5
3	VOE13947624	1	1						•Plane gasket		(ZM7099511)A18x24
4	VOE20405843	1	1						Gasket		
5	VOE20460386	26	26				SS		Screw		
6	VOE11712439	REQ	REQ				OP		Sealing compound		
7	ZM4384256	1	1						Valve		
8	ZM2285689	1	1						••Chain with cap		

Date: 2013/11/10	Image id: 1035539	Catalogue: 20042	Model: L45B
Brand: Volvo	Serial: 1941500-1949999, 1951500-1959999	Group/Section: 217/110	Title: Oil sump



Volvo Construction
Equipment
1035539

Section option	Kit	Option description
VOE15202333		Engine
VOE15202334		Engine

Q1-Q5	Option	Option description
Q1 1943001-		
Q2 1953001-		

Pos	Part	Q1	Q2	Q3	Q4	Q5	PS	Kit	Description	Option(s)	Remark
1	VOE11700301	1	1						Oil pan		
2	VOE20405506	2	2						•Plug		
3	VOE13947624	2	2						•Plane gasket		
4	VOE20405843	1	1						Gasket		
5	VOE20405792	26	26						Screw		
6	VOE20450869	1	1						Guide tube		

7	VOE21153138	1	1						Dipstick		
8	VOE20412343	1	1						•Sealing ring		
9	VOE20412745	1	1						Core plug		
10	VOE20450851	1	1						Drain valve		
11	VOE20478246	1	1						Hose		



Suggest:

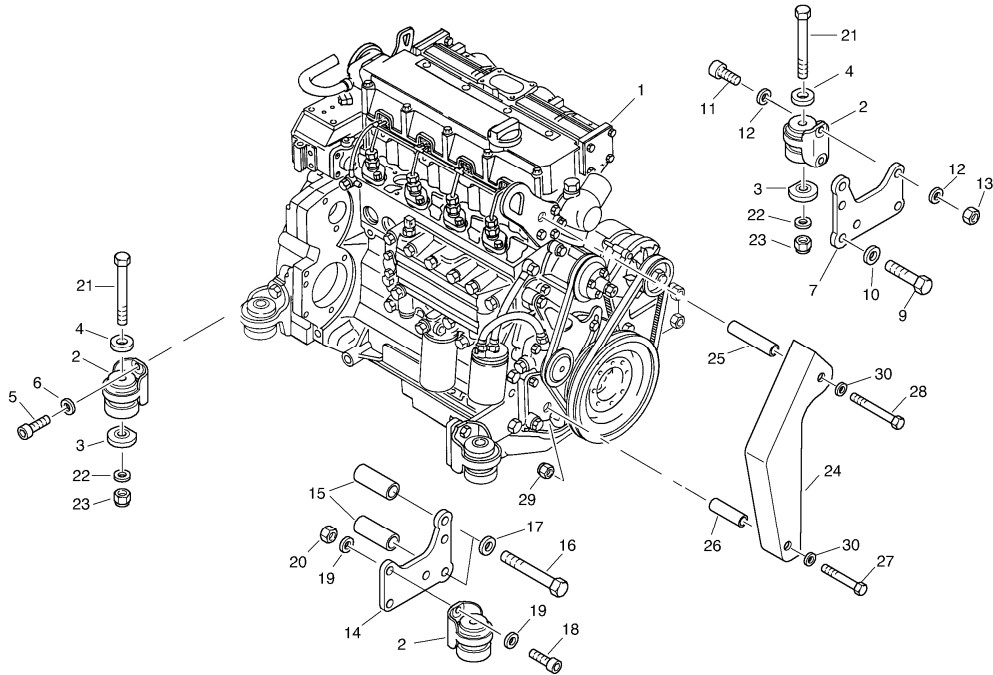
For more complete manuals. Please go to the home page.

<https://www.ebooklibonline.com>

If the above button click is invalid. Please download this document first, and then click the above link to download the complete manual.

Thank you so much for reading

Date: 2013/11/10	Image id: 00051201	Catalogue: 20042	Model: L45B
Brand: Volvo	Serial: 1941500-1949999, 1951500-1959999	Group/Section: 218/100	Title: Engine assy



00051201

Q1-Q5	Option	Option description	
Q1 1941500-194300 0			
Q2 1951500-195300 0			

Pos	Part	Q1	Q2	Q3	Q4	Q5	PS	Kit	Description	Option(s)	Remark
1	VOE11306245	1							Engine		
1	VOE11306393		1						Engine		
2	VOE20580444	4	4						•Engine Mounting		(ZM4069770)
3	ZM4056150	4	4				SS		•Plate		24 mm
4	VOE20580526	4	4						•Washer		(ZM4057641)
5	VOE11306210	4	4						•Allen Head Screw		(ZM7096563)M12x30
6	ZM3067462	4	4				SS		•Washer		
7	VOE20405731	1	1						•Bracket		
9	VOE20535027	2	2						•Screw		(ZM2908450)
10	VOE20405606	2	2						•Washer		(VOE20527151)
11	VOE11305061	2	2						•Allen Hd Screw		M12x35
12	ZM3067462	4	4				SS		•Washer		

13	VOE979019	2	2						•Hexagon nut		M12
14	VOE20405815	1	1						•Bracket		
15	VOE20580517	2	2						•Bushing		(ZM2907044)
16	VOE980465	2	2						•Hexagon screw		M16x110
17	VOE20405606	2	2						•Washer		(VOE20527151)
18	VOE11305061	2	2						•Allen Hd Screw		M12x35
19	ZM3067462	4	4				SS		•Washer		
20	VOE979019	2	2						•Hexagon nut		M12
21	VOE979934	4	4						Flange screw		M12x130
22	VOE13960145	4							Washer		S/N - 1941656
	VOE13960145		4						Washer		S/N - 1951834
23	VOE981315	4	4						Lock nut		VM12
24	ZM2816068	1	1						Belt Protector		
25	ZM2816069	1	1						Tube		
26	ZM2816066	1	1						Pipe		
27	ZM7095980	1	1						Screw		M10x100
28	VOE11306529	1	1						Hexagon screw		M10x175
29	VOE13971098	1	1						Flange nut		M10
30	VOE13960143	2	2						Washer		10,5

<https://www.ebooklibonline.com>

Hello dear friend!

Thank you very much for reading.

Enter the link into your browser.

The full manual is available for immediate download.

<https://www.ebooklibonline.com>