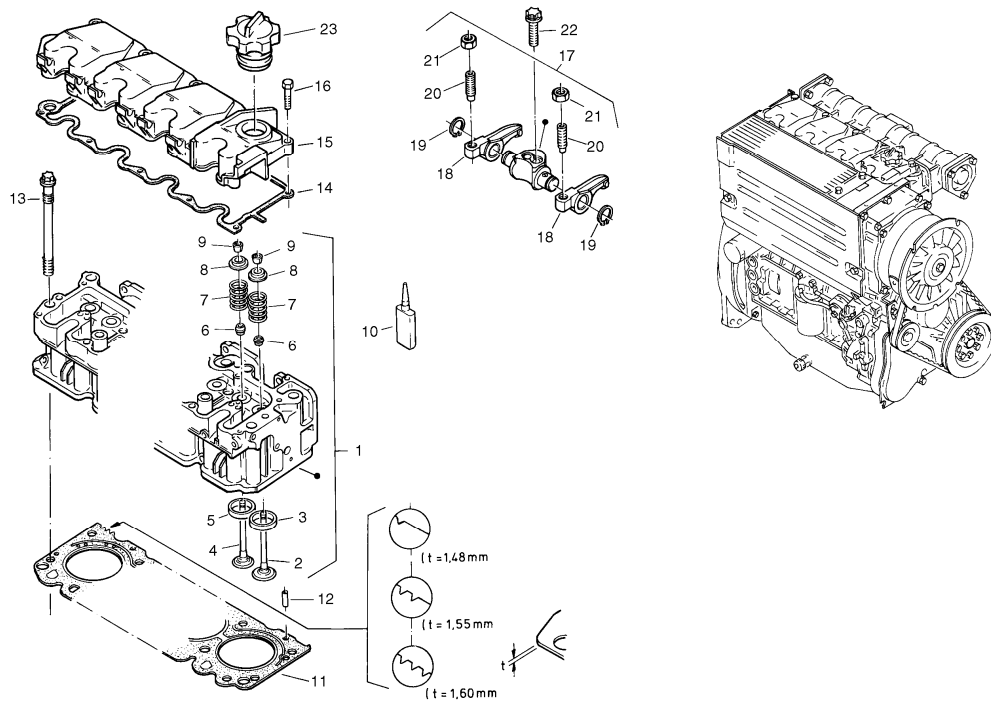


Date: <b>2013/11/14</b>	Image id: <b>00000091</b>	Catalogue: <b>07502</b>	Model: <b>L35</b>
Brand: <b>Volvo</b>	Serial: <b>1860001-1860461, 1880001-1880045, 1890001-1890073</b>	Group/Section: <b>211/100</b>	Title: <b>Cylinder head, timing gears</b>



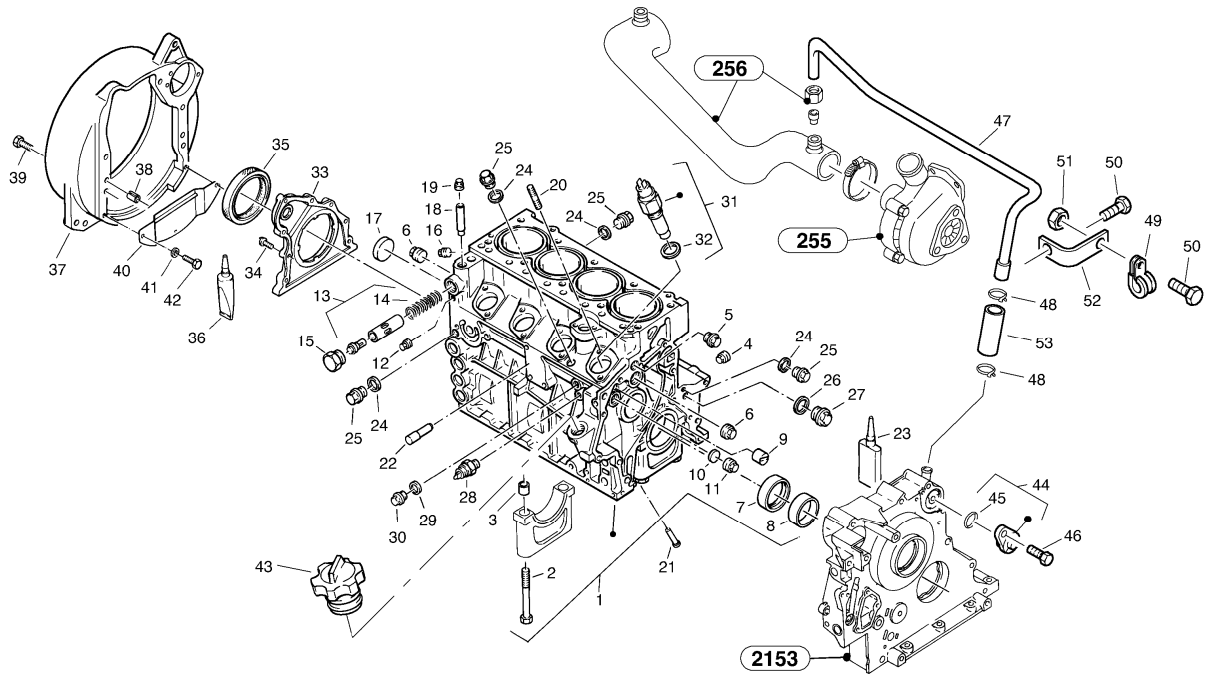
00000091

Q1-Q5	Option	Option description	
Q1 1860001			
Q2 1880001			

Pos	Part	Q1	Q2	Q3	Q4	Q5	PS	Kit	Description	Option(s)	Remark
1	ZM2904181	1	1						Cylinder head		
2	ZM2904183	4	4						••Inlet valve		M10x1
3	ZM2904089	4	4				SS		••Valve seat ring		
3	ZM2290534	REQ	REQ						••Valve seat ring		42,87 mm
4	ZM2904090	4	4						••Exhaust Valve		
5	ZM2904182	4	4						••Valve Seat Ring		
5	ZM2290500	REQ	REQ						••Valve seat ring		37,27 mm
6	VOE20459855	8	8						••Valve seal		(ZM2904368)
7	ZM2904091	8	8						••Pressure spring		
8	ZM2290505	8	8						••Spring Disc		
9	VOE20459857	16	16						••Valve sleeve		(ZM2290506)
10	ZM2903912	REQ	REQ				OP		Locking agent		
11	ZM2904094	REQ	REQ						Cylinder head gasket		1,48 mm

11	ZM2905354	REQ	REQ						Cylinder head gasket		1,55 mm
11	ZM2905355	1	1						Cylinder head gasket		1,60 mm
12	VOE21033924	2	2						Guide pin		(ZM2904093)
13	ZM2904092	10	10						Cylinder head screw		
14	ZM2904098	1	1						Gasket		
15	ZM2905356	1	1						Cylinder head cover		
16	VOE11306472	10	10						Hexagon screw		(ZM7095003)M6x30
17	ZM2290529	4	4						Valve rocker support		
18	ZM2290526	2	2						••Rocker Arm		
19	ZM7094952	2	2						••Safety ring		18x1,2
20	ZM2290527	2	2						••Adjusting screw		
21	VOE11700373	2	2						••Nut		(ZM2290528)
22	ZM2292226	8	8				SS		Screw		
23	ZM2904064	1	1						Filler cap		

Date: <b>2013/11/14</b>	Image id: <b>00000084</b>	Catalogue: <b>07502</b>	Model: <b>L35</b>
Brand: <b>Volvo</b>	Serial: <b>1860001-1860461, 1880001-1880045, 1890001-1890073</b>	Group/Section: <b>212/100</b>	Title: <b>Engine casing, Ventilation</b>



00000084

Q1-Q5	Option	Option description	
Q1 1860001			
Q2 1880001			

Pos	Part	Q1	Q2	Q3	Q4	Q5	PS	Kit	Description	Option(s)	Remark
1	ZM2904194	1	1						Crankcase, cpl.		
2	ZM2290540	10	10						••Hexagon screw		
3	ZM4010300	10	10						••Bushing		
4	VOE20860215	1	1						••Screw		(ZM2905340)
5	ZM2904050	1	1						••Screw plug		
6	VOE20405717	2	2						••Plug		(ZM2905341)
7	ZM2904048	2	2						••Bearing bush		
8	VOE20795762	3	3						••Bearing Bushing		
9	VOE15053296	2	2						••Guide sleeve		(ZM2290541)
10	ZM8092104	1	1						••Hood		16
11	ZM2905346	1	1						••Screw plug		
12	ZM2905343	1	1						••Screw plug		
13	ZM2904169	1	1						••Thermostat		
14	ZM2904053	1	1						•••Pressure spring		

**<https://www.ebooklibonline.com>**

Hello dear friend!

Thank you very much for reading.

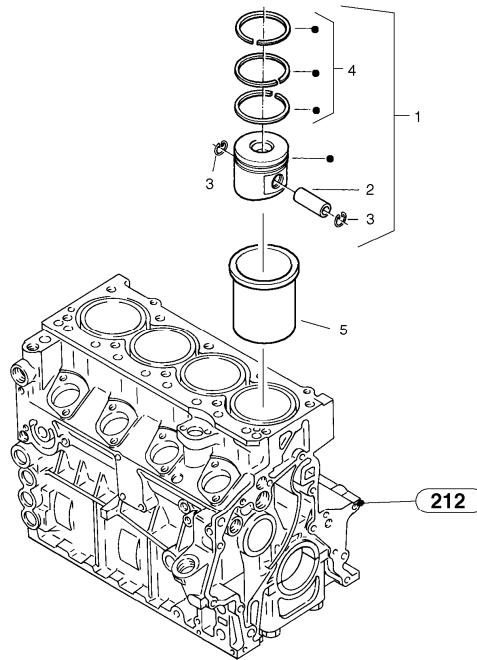
Enter the link into your browser.

The full manual is available for immediate download.

**<https://www.ebooklibonline.com>**

15	ZM2905345	1	1						••Screw plug		
16	VOE20405718	1	1						••Plug		(ZM2905342)
17	VOE20882154	1	1						••Plug		(ZM7092106)28
18	ZM2904051	1	1						••Tube		
19	ZM2905344	1	1						••Screw plug		
20	ZM8097406	8	8						••Pin screw		
21	ZM2904056	8	8						Piston cooling jet		
22	ZM2904057	1	1						Pin		
23	ZM2904058	REQ	REQ						Locking agent		
24	VOE11700631	4	4						Sealing ring		(ZM7099530)A10x16
25	ZM8099416	4	4						Screw plug		M10x1
26	VOE13947624	1	1						Plane gasket		(ZM7099511)A18x24
27	VOE20405506	1	1						Plug		(ZM8099415)M18x1,5
28	ZM2905379	1	1						Oil pressure switch		
29	VOE13947624	1	1						Plane gasket		(ZM7099511)A18x24
30	VOE11305512	1	1						Lock plug		(ZM7099401)AM18x1,5
31	ZM2904059	1	1						Temperature transmitter		
32	ZM7099503	1	1				SS		••Seal		A14x18
33	ZM2292219	1	1						Cover rear		
34	ZM2290455	8	8						Screw		
35	ZM2292220	1	1						Radial seal		
36	ZM4084070	REQ	REQ						Sealant		
37	ZM2905335	1	1						Intermediate housing		
38	ZM2290547	2	2						Bushing		
39	VOE11306530	4	4						Hexagon screw		(ZM8096638)M12x35
40	ZM2290561	1	1						Cover plate		
41	VOE955892	3	3						Washer		(ZM7098752)B6,4
42	ZM7095067	3	3				SS		Screw		M6x10
43	ZM2904064	1	1						Filler cap		
44	ZM2904065	1	1						Valve		
45	ZM2904066	1	1						••O-ring		
46	ZM7095068	1	1						Screw		M6x25
47	ZM2904170	1	1						Air vent pipe		
48	ZM2904172	1	1						Hose Clamp		
49	ZM2290447	2	2						Clamp		
50	ZM2292234	2	2						Screw		
51	ZM7098392	1	1						Nut		M6
51	ZM7098010	1	1						Nut		M8
52	ZM2905349	1	1						Retainer		
53	ZM2905348	1	1						Hose		

Date: <b>2013/11/14</b>	Image id: <b>0000088</b>	Catalogue: <b>07502</b>	Model: <b>L35</b>
Brand: <b>Volvo</b>	Serial: <b>1860001-1860461, 1880001-1880045, 1890001-1890073</b>	Group/Section: <b>213/100</b>	Title: <b>Cylinder bush and piston</b>

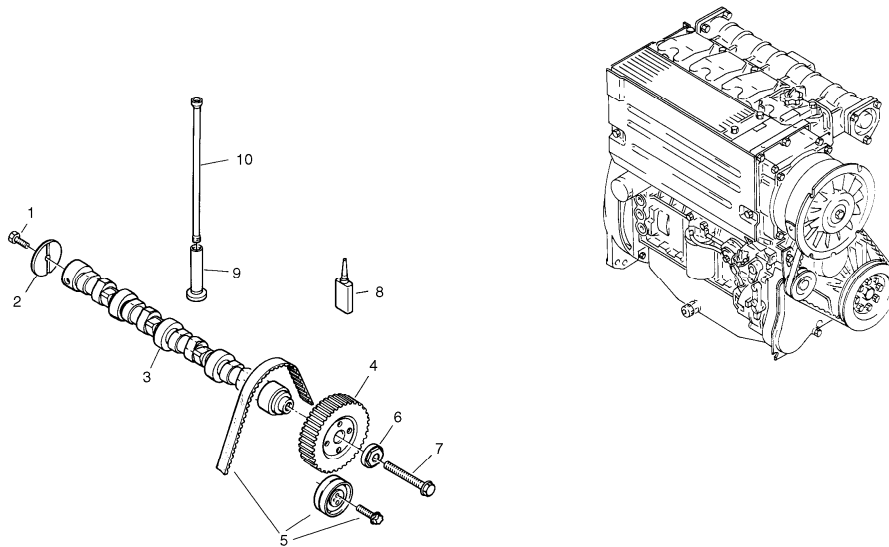


0000088

Q1-Q5	Option	Option description	
Q1 1860001			
Q2 1880001			

Pos	Part	Q1	Q2	Q3	Q4	Q5	PS	Kit	Description	Option(s)	Remark
1	ZM2905352	4	4						Piston, cpl.		
2	VOE11715530	1	1						••Bolt		(ZM2290442)
3	VOE11715531	2	2						••Retaining ring		(ZM2290443)C30x2,0
4	ZM2905353	1	1						••Piston Ring Kit		
5	ZM2905347	REQ	REQ						Cylinder liner		

Date: <b>2013/11/14</b>	Image id: <b>0000079</b>	Catalogue: <b>07502</b>	Model: <b>L35</b>
Brand: <b>Volvo</b>	Serial: <b>1860001-1860461, 1880001-1880045, 1890001-1890073</b>	Group/Section: <b>215/100</b>	Title: <b>Camshaft</b>

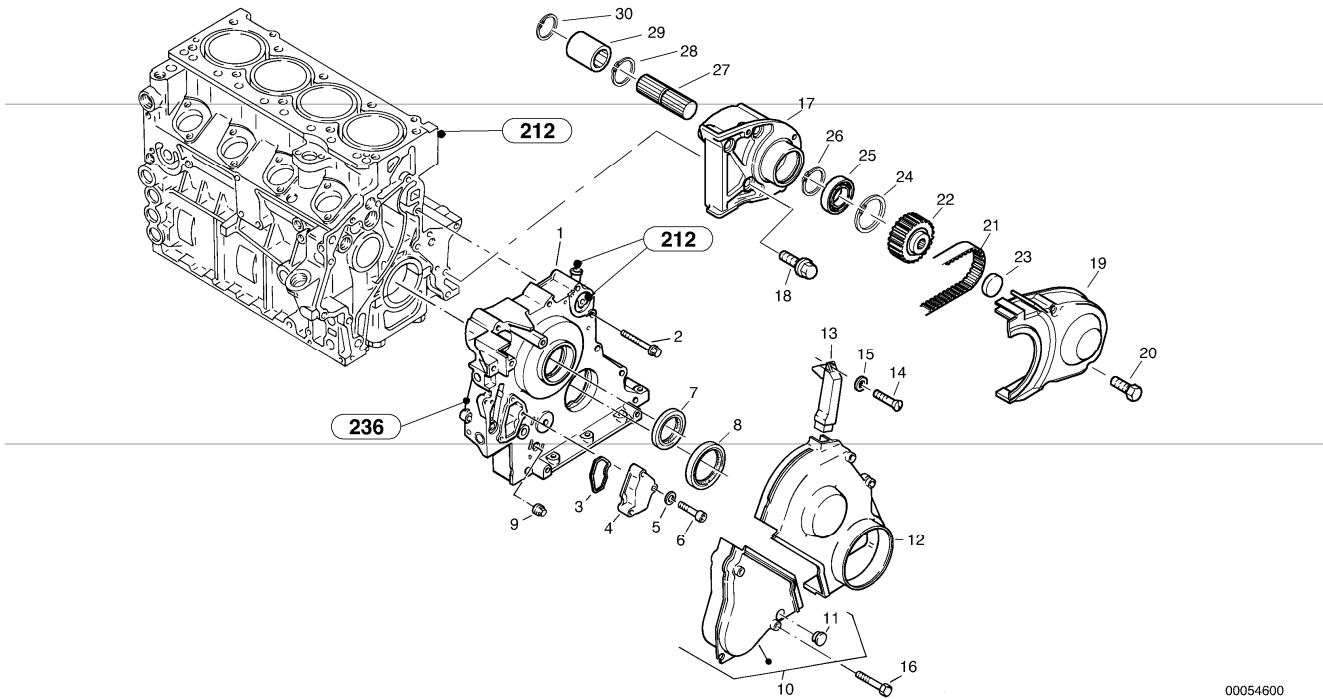


0000079

Q1-Q5	Option	Option description	
Q1 1860001			
Q2 1880001			

Pos	Part	Q1	Q2	Q3	Q4	Q5	PS	Kit	Description	Option(s)	Remark
1	ZM8095503	1	1						Screw		M8x35
2	ZM2290517	1	1						Spacer disc		
3	ZM2905357	1	1						Camshaft		
4	ZM2290519	1	1						Toothed belt wheel		
5	ZM2904890	1	1						Repair kit (toothed belt)		
6	ZM2290522	1	1						Washer		
7	VOE20797281	1	1						Hexagon screw		M14x1,5x110
8	ZM2903828	REQ	REQ					OP	Locking agent		
9	ZM2904101	2	2						Valve tappet		
10	ZM2290524	2	2						Push rod		

Date: <b>2013/11/14</b>	Image id: <b>00054600</b>	Catalogue: <b>07502</b>	Model: <b>L35</b>
Brand: <b>Volvo</b>	Serial: <b>1860001-1860461, 1880001-1880045, 1890001-1890073</b>	Group/Section: <b>2153/100</b>	Title: <b>Timing gear housing (front cover)</b>



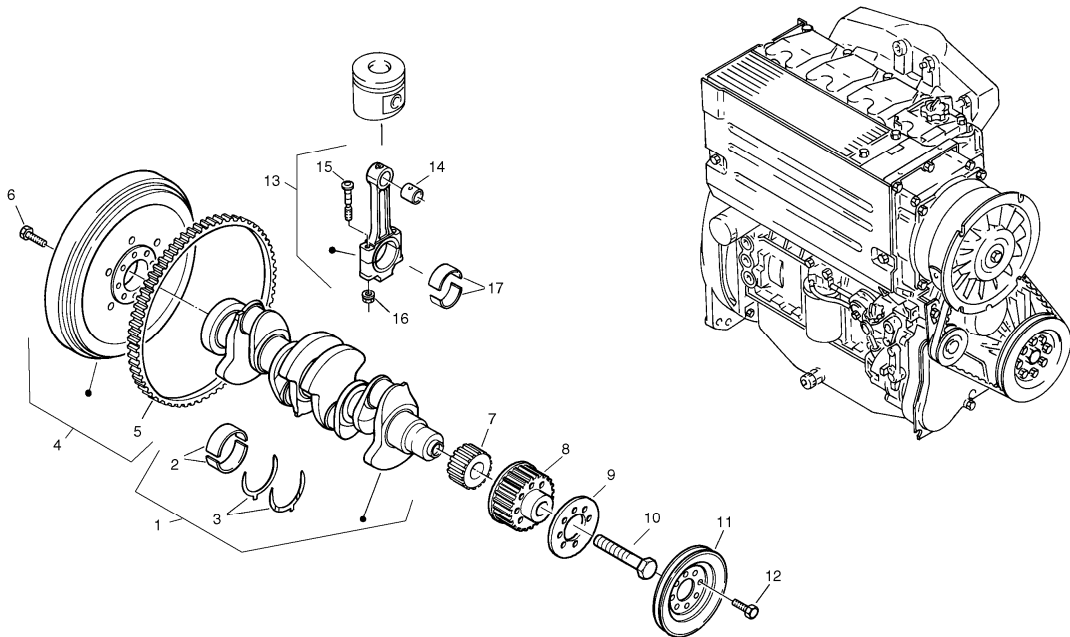
00054600

Q1-Q5	Option	Option description	
Q1 1860001			
Q2 1880001			

Pos	Part	Q1	Q2	Q3	Q4	Q5	PS	Kit	Description	Option(s)	Remark
1	ZM2904069	1	1						Front cover		
2	ZM2904100	11	11				SS		Screw		
3	ZM2904068	1	1						Profil gasket		
4	ZM2904070	1	1						Cover		
5	VOE955892	3	3						Washer		(ZM7098752)B6,4
6	ZM7096552	3	3						Screw		M6x35
7	ZM2291470	1	1						Seal		
8	ZM2290458	1	1						Seal		
9	ZM8096511	1	1						Screw plug		M14x1,5
10	ZM2905384	1	1						Protective hood		
11	ZM2904072	1	1						••Plug		
12	ZM2290487	1	1						Protective hood		
13	ZM2900130	1	1				SS		Air duct		
14	ZM2900131	1	1						Screw		M4x12

15	VOE955891	1	1						Washer		(ZM7098754)A4,3
16	VOE955282	4	4						Hexagon screw		(ZM7095114)M6x70
17	ZM2910193	1	1						Conversion kit		(ZM2906900)
18	ZM2906901	3	3						Screw		
19	ZM2906902	1	1						Protecting casing		
20	ZM7095113	2	2						Screw		
21	ZM2905399	1	1						Toothed belt		
22	ZM2905398	1	1						Pulley		
23	ZM2905397	1	1						Cover		
24	ZM7094944	1	1						Lock Ring		68x2,5
25	ZM2905396	1	1						Bearing		
26	ZM4332271	1	1						Lock Ring		
27	ZM2910193	1	1						Conversion kit		(ZM2905395)
28	ZM7094951	1	1						Snap Ring		16x1
29	ZM4076320	1	1						Plate		
30	VOE955970	1	1						Retaining ring		(ZM7094953)14x1

Date: <b>2013/11/14</b>	Image id: <b>00000126</b>	Catalogue: <b>07502</b>	Model: <b>L35</b>
Brand: <b>Volvo</b>	Serial: <b>1860001-1860461, 1880001-1880045, 1890001-1890073</b>	Group/Section: <b>216/100</b>	Title: <b>Crankshaft</b>



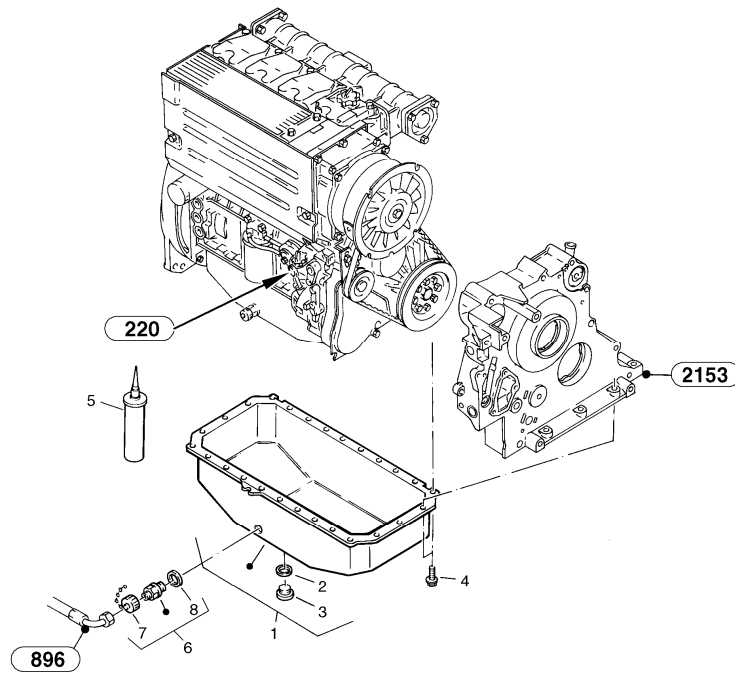
00000126

Q1-Q5	Option	Option description	
Q1 1860001			
Q2 1880001			

Pos	Part	Q1	Q2	Q3	Q4	Q5	PS	Kit	Description	Option(s)	Remark
1	ZM2905351	1	1						Crankshaft		
2	ZM2290402	REQ	REQ						••Crankshaft bearing		69,50 mm
2	ZM2900539	REQ	REQ						••Crankshaft bearing		69,75 mm
2	ZM2290400	5	5						••Crankshaft bearing		70,00 mm
3	VOE20944762	1	1						••Thrust Washer		2,40 mm
3	VOE20944769	REQ	REQ						••Thrust Washer		2,60 mm
4	ZM2904103	1	1				SS		Fly wheel		
5	ZM2904104	1	1						••Gear ring		
6	ZM2290407	8	8						Screw		
7	ZM2290408	1	1						Toothed belt wheel		
8	ZM2290409	1	1						Toothed belt wheel		
9	ZM2290410	1	1						Intermediate piece		

10	ZM2290411	1	1						Screw		
11	ZM2905385	1	1						V-belt pulley		
12	ZM2908482	8	8						Screw		(ZM2900545)
13	ZM2904174	4	4						Connecting rod		
14	ZM2290431	1	1						••Bushing		33,07 - 33,11 mm
14	ZM2900544	REQ	REQ						••Bushing		33,32 - 33,36 mm
15	ZM2904106	2	2						••Screw		
16	ZM2290415	2	2						••Nut		
17	ZM2900543	REQ	REQ						Big end bearing		54,50 mm
17	ZM2900542	REQ	REQ						Big end bearing		54,75 mm
17	ZM2290432	4	4						Big end bearing		55,00 mm

Date: <b>2013/11/14</b>	Image id: <b>00000089</b>	Catalogue: <b>07502</b>	Model: <b>L35</b>
Brand: <b>Volvo</b>	Serial: <b>1860001-1860461, 1880001-1880045, 1890001-1890073</b>	Group/Section: <b>217/100</b>	Title: <b>Oil sump</b>

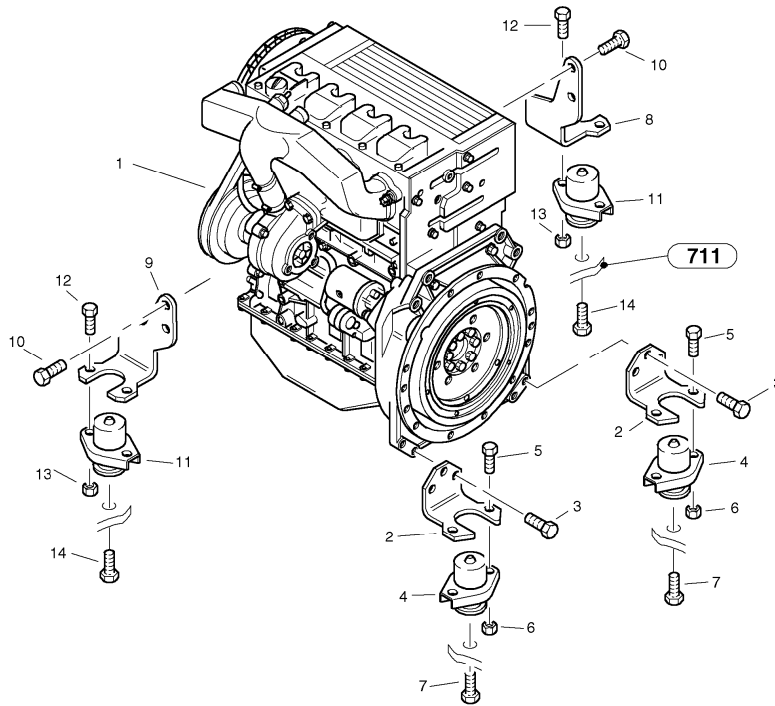


00000089

Q1-Q5	Option	Option description	
Q1 1860001			
Q2 1880001			

Pos	Part	Q1	Q2	Q3	Q4	Q5	PS	Kit	Description	Option(s)	Remark
1	ZM2904060	1	1						Oil pan		
2	VOE13947624	1	1						••Plane gasket		(ZM7099511)A18x24
3	ZM7099428	1	1						••Screw plug		M18x1,5
4	ZM2292234	26	26						Screw		
5	ZM2903926	REQ	REQ						Sealing compound		(ZM2905350)
6	ZM4384256	1	1						Valve		
7	ZM2285689	1	1						••Chain with cap		
8	ZM7099518	1	1						••Seal		C18x24

Date: <b>2013/11/14</b>	Image id: <b>00000085</b>	Catalogue: <b>07502</b>	Model: <b>L35</b>
Brand: <b>Volvo</b>	Serial: <b>1860001-1860461, 1880001-1880045, 1890001-1890073</b>	Group/Section: <b>218/100</b>	Title: <b>Engine assy</b>



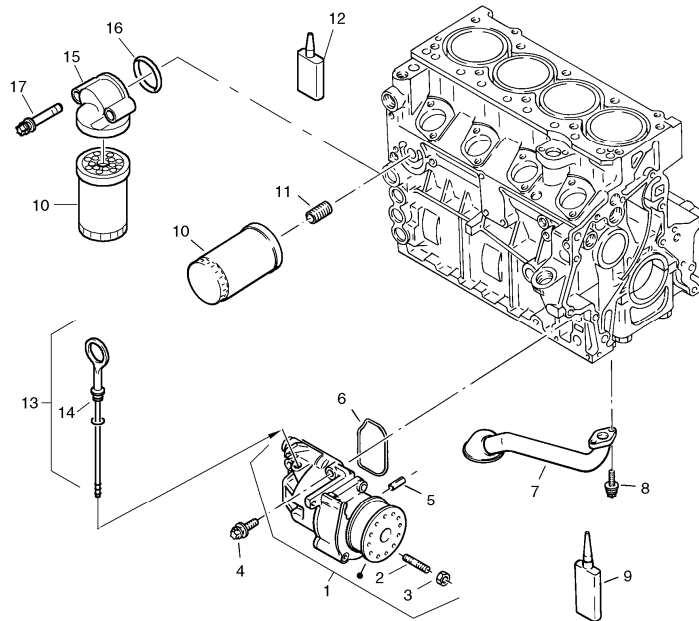
00000085

Q1-Q5	Option	Option description	
Q1 1860001			
Q2 1880001			
Q3 1890001			

Pos	Part	Q1	Q2	Q3	Q4	Q5	PS	Kit	Description	Option(s)	Remark
1	ZM2807622	1	1	1					Engine, cpl.		-1860361/-1880031/ -1890045
1	ZM2814030	1	1	1					Engine, cpl.		(ZM2814008) 1860362-/1880032-/ 1890046-
2	ZM2807295	2	2	2					Retainer		
3	ZM4326456	2	2	2			SS		Screw		M14x30
4	VOE11306533	2	2	2					Buffer		(ZM4381063)
5	VOE983252	4	4	4					Hexagon screw		(ZM8095900)
6	VOE983304	4	4	4					Hexagon nut		(ZM8098001)M10
7	VOE978932	2	2	2					Hexagon screw		(ZM8096639)M12x30
8	ZM2810650	1	1	1					Retainer		
9	ZM2810649	1	1	1					Retainer		
10	ZM4326456	4	4	4			SS		Screw		M14x30

11	VOE11306533	2	2	2					Buffer		(ZM4381063)
12	VOE983252	4	4	4					Hexagon screw		(ZM8095900)
13	VOE983304	4	4	4					Hexagon nut		(ZM8098001)M10
14	VOE978932	2	2	4					Hexagon screw		(ZM8096639)M12x30

Date: <b>2013/11/14</b>	Image id: <b>00005801</b>	Catalogue: <b>07502</b>	Model: <b>L35</b>
Brand: <b>Volvo</b>	Serial: <b>1860001-1860461, 1880001-1880045, 1890001-1890073</b>	Group/Section: <b>220/100</b>	Title: <b>Oil pump, oil filter</b>



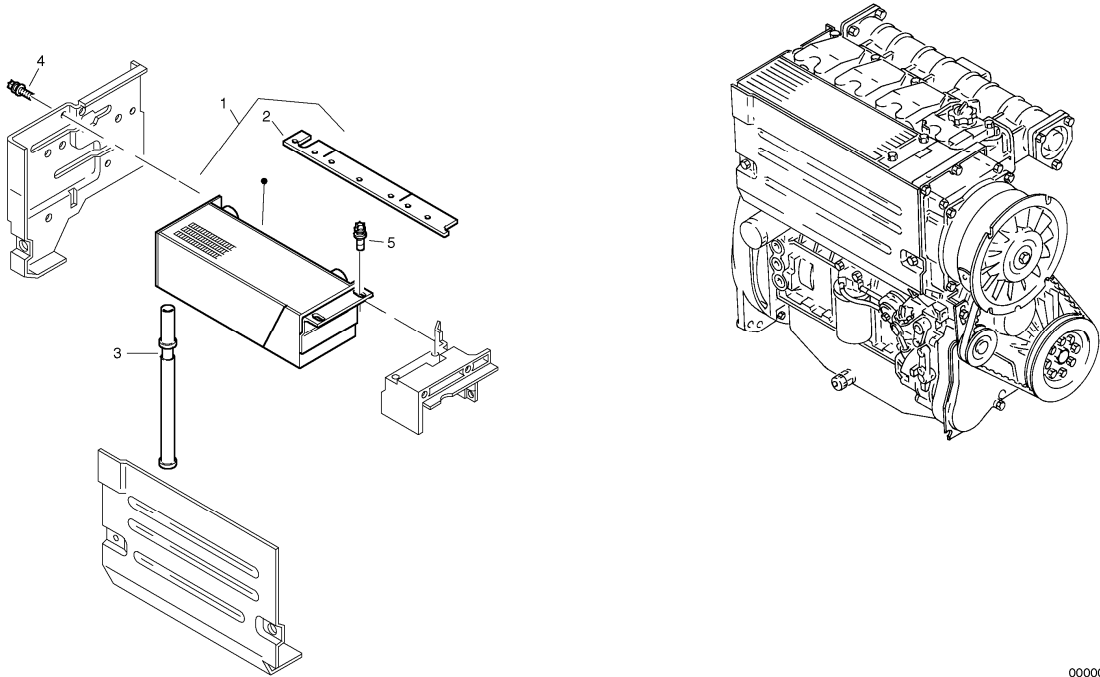
00005801

Q1-Q5	Option	Option description	
Q1 1860001			
Q2 1880001			
Q3 1890001			

Pos	Part	Q1	Q2	Q3	Q4	Q5	PS	Kit	Description	Option(s)	Remark
1	VOE11715526	1	1	1					Oil pump		(ZM2904116)
2	ZM2290460	1	1	1			SS		••Bearing spindle		M6x40
3	ZM7098000	1	1	1					••Nut		M6
4	ZM2904117	4	4	4					Screw		
5	ZM2904118	2	2	2					Clamping pin		
6	ZM2904119	1	1	1					Gasket		
7	VOE11715751	1	1	1					Oil pipe		(ZM2904124)
8	ZM2904040	2	2	2			SS		Screw		
9	ZM2903828	REQ	REQ	REQ			OP		Locking agent		
10	ZM2904941	1	1	1					Oil filter		
11	ZM2290250	1	1	1					Bushing		-1860361/-1880031/ -1890045
12	VOE20464471	REQ	REQ	REQ					Locking fluid		(ZM2903718)
13	ZM2905170	1	1	1					Oil dipstick		

14	ZM2905171	1	1	1					••O-ring		
15	ZM2907622	1	1	1					Bracket		1860362-/1880032- 1890046-
16	ZM2907372	1	1	1					O-ring		1860362-/1880032- 1890046-
17	ZM2291482	2	2	2					Screw		1860362-/1880032- 1890046-

Date: <b>2013/11/14</b>	Image id: <b>0000059</b>	Catalogue: <b>07502</b>	Model: <b>L35</b>
Brand: <b>Volvo</b>	Serial: <b>1860001-1860461, 1880001-1880045, 1890001-1890073</b>	Group/Section: <b>223/100</b>	Title: <b>Engine - oil cooler</b>

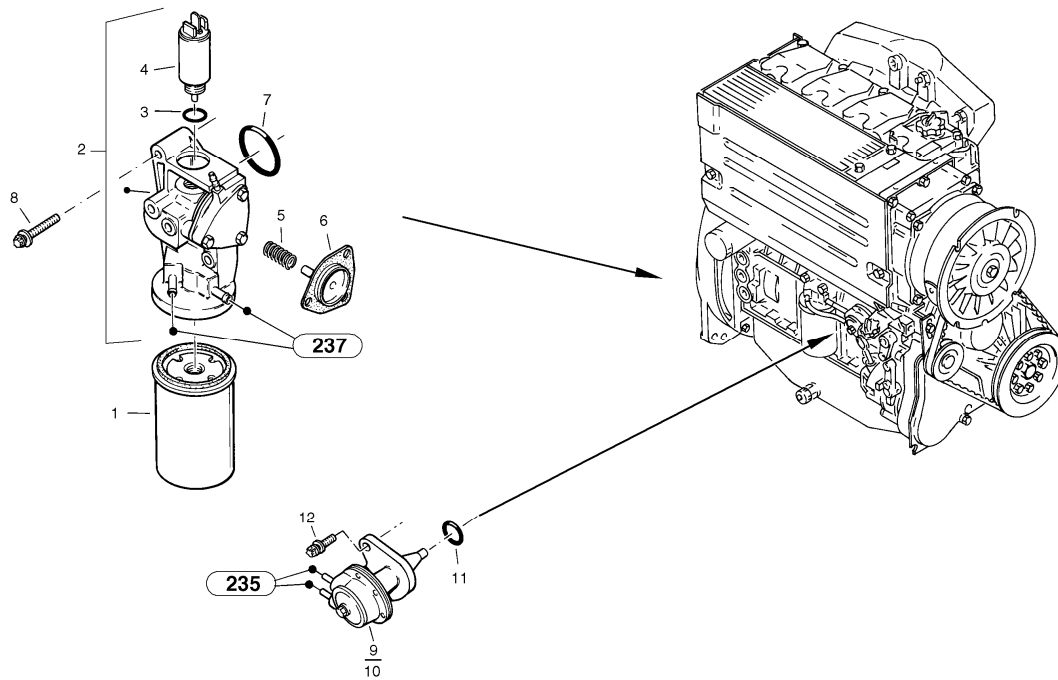


0000059

Q1-Q5	Option	Option description	
Q1 1860001			
Q2 1880001			

Pos	Part	Q1	Q2	Q3	Q4	Q5	PS	Kit	Description	Option(s)	Remark
1	ZM2905358	1	1				SS		Oil cooler		
2	ZM2905359	1	1						••Sealing strip		
3	ZM2904123	2	2						Insert pipe		
4	ZM2904121	2	2						Screw		
5	ZM2901217	2	2						Screw		(ZM2904122)

Date: <b>2013/11/14</b>	Image id: <b>00000106</b>	Catalogue: <b>07502</b>	Model: <b>L35</b>
Brand: <b>Volvo</b>	Serial: <b>1860001-1860461, 1880001-1880045, 1890001-1890073</b>	Group/Section: <b>233/100</b>	Title: <b>Fuel filter - Feed pump</b>

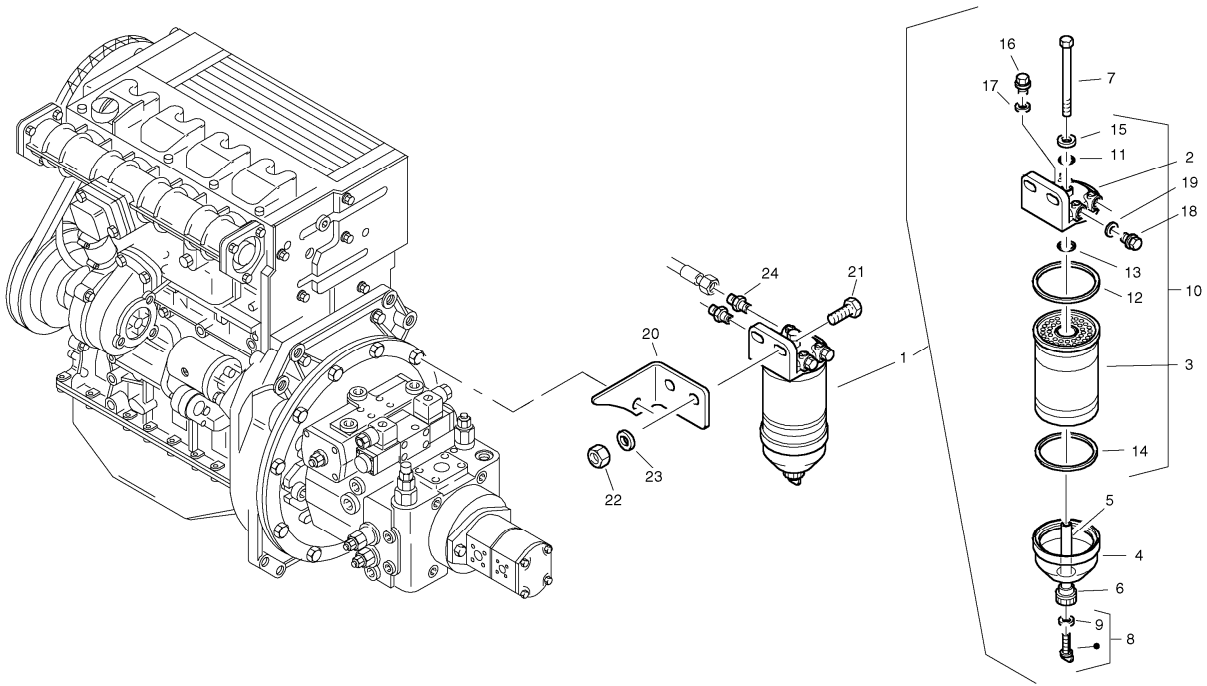


00000106

Q1-Q5	Option	Option description	
Q1 1860001			
Q2 1880001			

Pos	Part	Q1	Q2	Q3	Q4	Q5	PS	Kit	Description	Option(s)	Remark
1	ZM2905303	1	1						Filter		
2	ZM2905387	1	1						Fuel load stop		
3	ZM2904200	1	1						••O-ring		
4	VOE15185105	1	1						••Solenoid		(ZM2905388)
5	ZM2904199	1	1						••Thrust Spring		
6	ZM2904198	1	1				OP		••Diaphragm holder		(ZM2905389)
7	ZM2904201	1	1						O-ring		
8	ZM2291482	3	3						Screw		
9	ZM2904380	1	1						Feed pump		
10	ZM2904381	1	1						Repair kit		
11	ZM2290370	1	1						O-ring		
12	ZM2904137	2	2						Screw		

Date: <b>2013/11/14</b>	Image id: <b>00000041</b>	Catalogue: <b>07502</b>	Model: <b>L35</b>
Brand: <b>Volvo</b>	Serial: <b>1860001-1860461, 1880001-1880045, 1890001-1890073</b>	Group/Section: <b>23341/100</b>	Title: <b>Filter - Water separator</b>



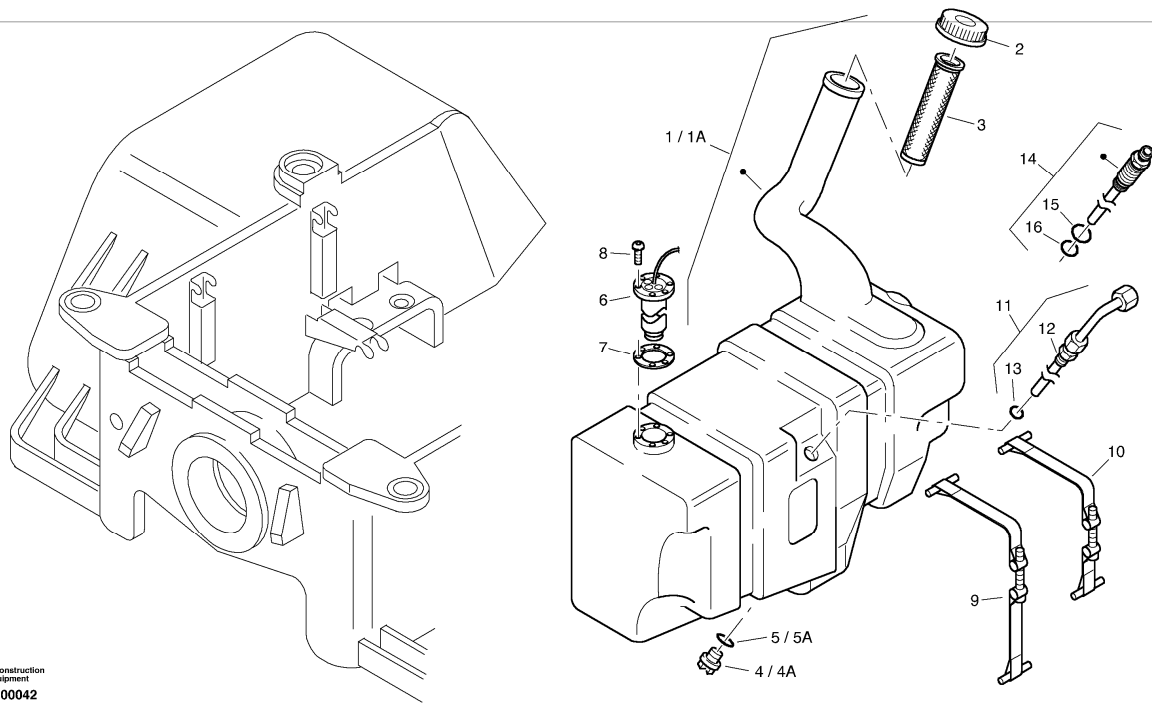
00000041

Q1-Q5	Option	Option description	
Q1 1860001			
Q2 1880001			

Pos	Part	Q1	Q2	Q3	Q4	Q5	PS	Kit	Description	Option(s)	Remark
1	ZM2807872	1	1						Fuel filter		
2	ZM2905307	1	1				SS		••Filter head		
3	ZM2905298	1	1						••Filter cartridge		
4	ZM2905299	1	1						••Sight glass		
5	ZM2905300	1	1						••Knurled head screw		
6	VOE7242081	1	1						••Washer		(ZM2905301)
7	ZM2905302	1	1						••Screw		
8	VOE242595	1	1						••Plug		(ZM2905304)
9	VOE7242081	1	1						•••Washer		(ZM2905305)
10	ZM2905306	1	1						••Gasket set, cpl.		
11	ZM2905308	1	1						•••O-ring		
12	ZM2905309	1							•••Gasket		
13	ZM2905310	1	1						•••O-ring		
14	ZM2905311	1	1						•••Gasket		

15	ZM2905312	1	1						•••Washer		
16	ZM2905313	1	1						••Screw		
17	ZM2164940	1	1						••Seal		A10x14
18	ZM7099404	2	2						••Lock Plug		AM14x1,5
19	ZM2905314	2	2						••Seal		
20	ZM2816411	1	1						Retainer		
21	VOE983251	2	2						Hexagon screw		(ZM7094813)M10x25
22	VOE983304	2	2						Hexagon nut		(ZM8098001)M10
23	VOE960148	2	2						Washer		(ZM7098741)B10,5
24	ZM7091974	2	2				SS		Nipple		L10MB

Date: <b>2013/11/14</b>	Image id: <b>00000042</b>	Catalogue: <b>07502</b>	Model: <b>L35</b>
Brand: <b>Volvo</b>	Serial: <b>1860001-1860461, 1880001-1880045, 1890001-1890073</b>	Group/Section: <b>234/100</b>	Title: <b>Fuel tank</b>



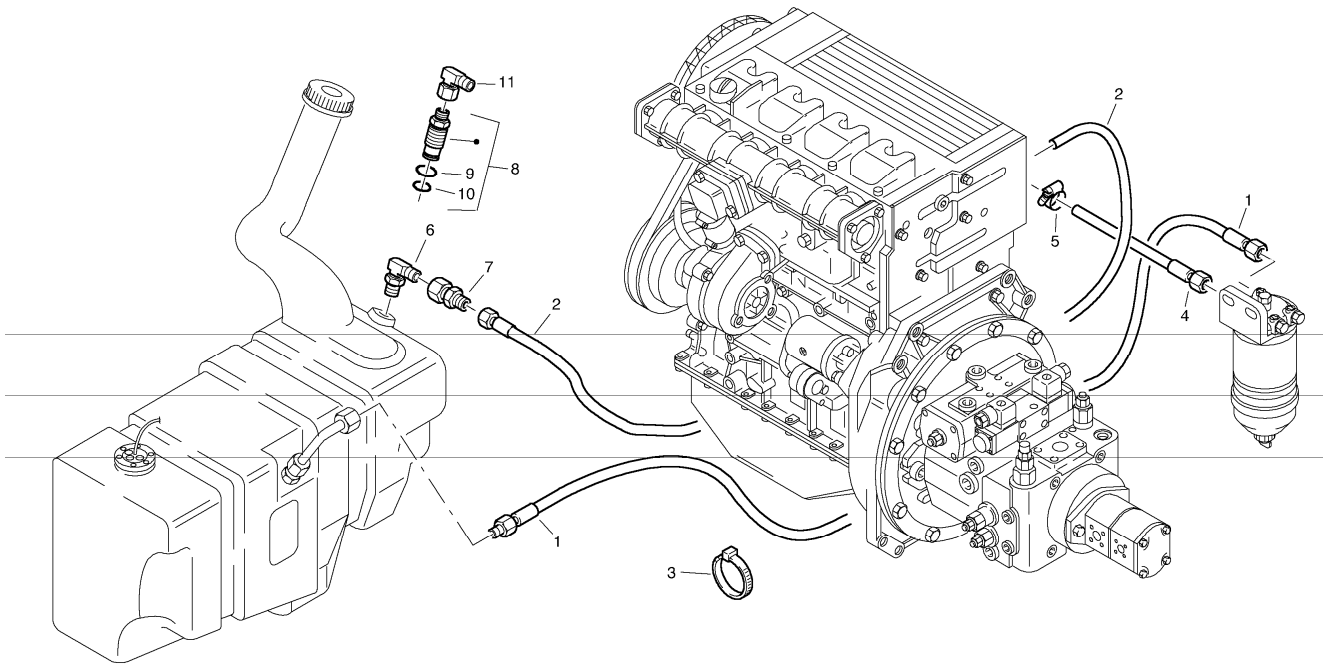
Volvo Construction  
Equipment  
00000042

Q1-Q5	Option	Option description	
Q1 1860001			
Q2 1880001			
Q3 1890001			

Pos	Part	Q1	Q2	Q3	Q4	Q5	PS	Kit	Description	Option(s)	Remark
1	VOE11370525	1	1	1					Conversion kit		-1862629, -1882261, -1892350,
1A	VOE11306084	1	1	1					Fuel reservoir		1862630-, 1882262-, 1892351-,
2	ZM2804113	1	1	1					•Filler cap		
3	ZM2804112	1	1	1					•Fuel strainer		
4	ZM2807633	1	1	1					•Plug		-1860319/-1880024/ -1890033
4A	ZM7099428	1	1	1					•Screw plug		M18x1,5, 1860320-/ 1880025-/1890034-
5	ZM4380412	1	1	1					•O-ring		17x2,5, -1860319/ -1880024/-1890033
5A	ZM1086268	1	1	1					•O-ring		16x3, 1860320-/ 1880025-/1890033-
6	ZM2805649	1	1	1					Fuel level sensor		

7	ZM2906069	1	1	1					•Gasket		
8	VOE11305438	6	6	6					Screw		(ZM7096666)M4x12
9	ZM2811413	1	1	1					Clamp		
10	ZM2811414	1	1	1					Clamp		
11	VOE15622108	1	1	1					Suction pipe		(ZM2811730)
12	ZM2811249	1	1	1					•Pipe end		
13	ZM2906070	1	1	1					•O-ring		13,4x2,1
14	VOE11306081	1	1	1					Suction pipe		1862630-, 1882262-, 1892351-,
15	VOE11370540	1	1	1					•O-ring		22x5,5
16	VOE11370541	1	1	1					•O-ring		14x5

Date: <b>2013/11/14</b>	Image id: <b>00000043</b>	Catalogue: <b>07502</b>	Model: <b>L35</b>
Brand: <b>Volvo</b>	Serial: <b>1860001-1860461, 1880001-1880045, 1890001-1890073</b>	Group/Section: <b>235/100</b>	Title: <b>Fuel pipes</b>

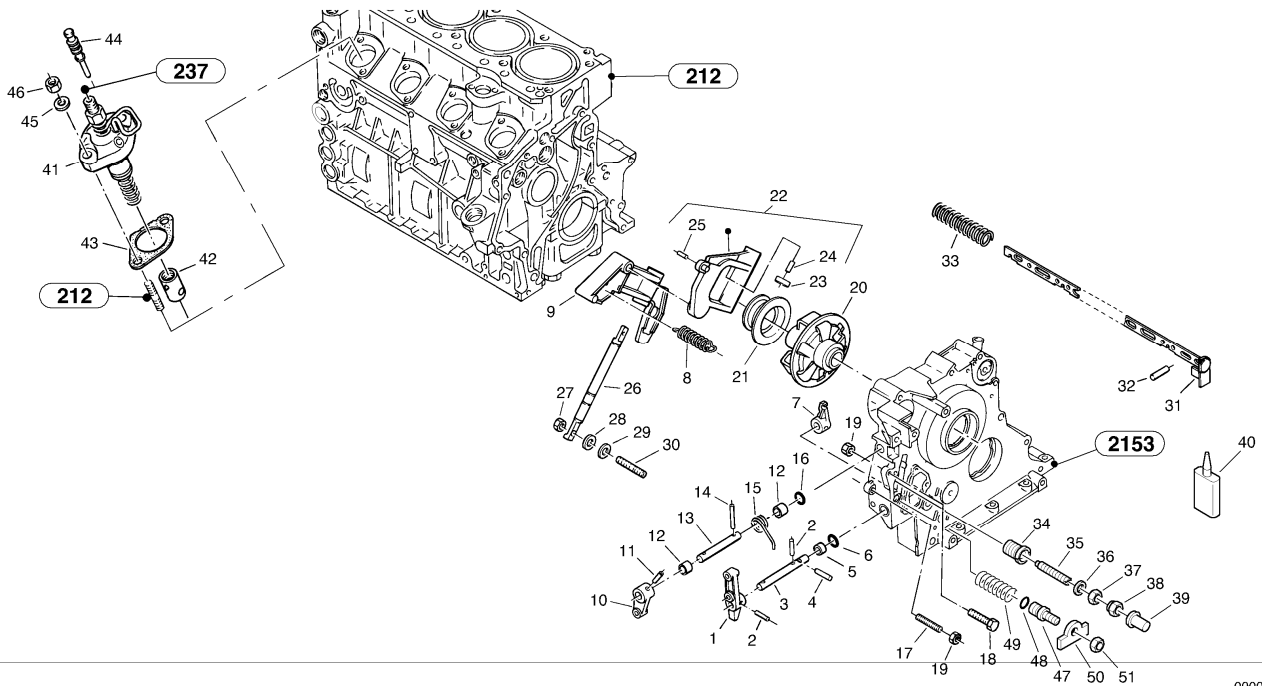


Q1-Q5	Option	Option description	
Q1 1860001			
Q2 1880001			
Q3 1890001			

Pos	Part	Q1	Q2	Q3	Q4	Q5	PS	Kit	Description	Option(s)	Remark
1	ZM2811482	1	1	1					Fuel hose		
2	ZM2811484	1	1	1					Fuel hose		
3	ZM2193590	2	2	2					Cable clip		
4	ZM2811483	1	1	1					Fuel hose		
5	ZM2060781	1	1	1					Clip		12x9
6	ZM2800658	1	1	1					Fitting		-1862629, -1882261, -1892350,
7	VOE11307078	1	1	1					Fitting		(ZM7091432)-1862629, -1882261, -1892350,
8	VOE11306079	1	1	1					Fitting		1862630-, 1882262-, 1892351-,
9	VOE11370540	1	1	1					•O-ring		22x5,5
10	VOE11370541	1	1	1					•O-ring		14x5
11	VOE13945357	1	1	1					Elbow nipple		1862630-, 1882262-,



Date: <b>2013/11/14</b>	Image id: <b>00000080</b>	Catalogue: <b>07502</b>	Model: <b>L35</b>
Brand: <b>Volvo</b>	Serial: <b>1860001-1860461, 1880001-1880045, 1890001-1890073</b>	Group/Section: <b>236/100</b>	Title: <b>Speed adjustment - Fuel injection pump</b>



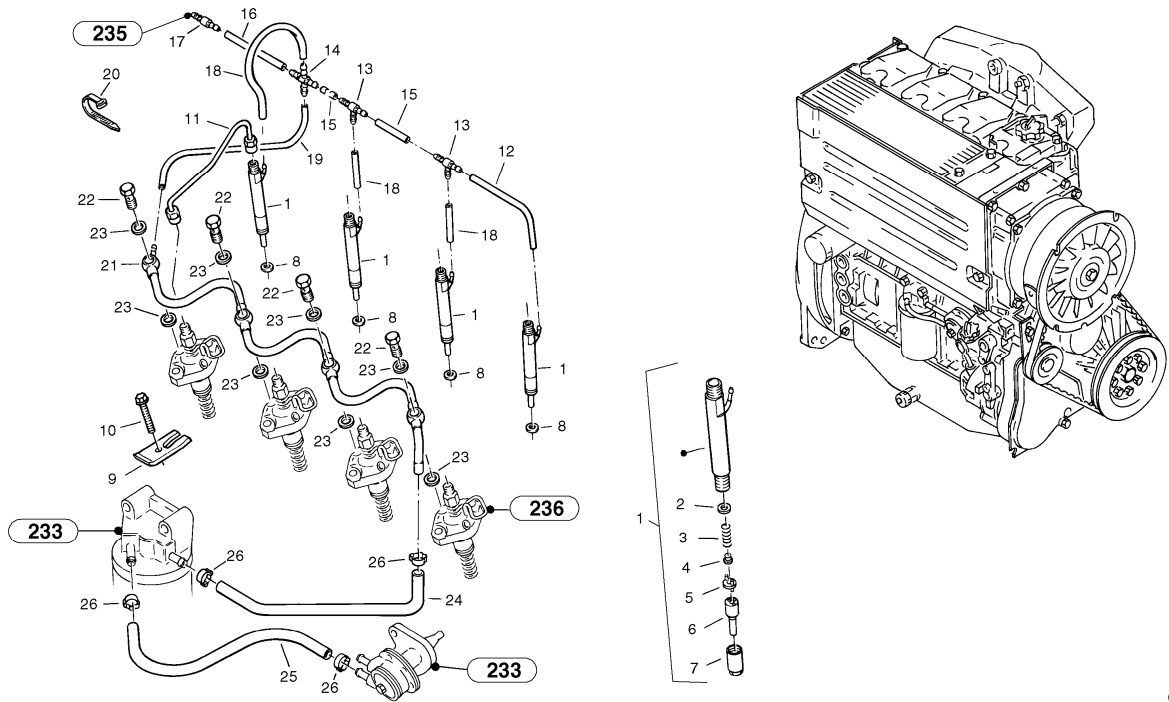
00000080

Q1-Q5	Option	Option description	
Q1 1860001			
Q2 1880001			

Pos	Part	Q1	Q2	Q3	Q4	Q5	PS	Kit	Description	Option(s)	Remark
1	ZM2904077	1	1						Lever		
2	ZM7099461	2	2						Clamping pin		5x20
3	ZM2291460	1	1						Regulator lever shaft		
4	ZM2292257	1	1						Bolt		
5	ZM2292251	1	1						Sleeve		
6	ZM2291459	1	1						O-ring		(ZM2904075)
7	ZM2900507	1	1						Lever		
8	VOE11715758	1	1				SS		Tension spring		(ZM2905368)
9	VOE11370648	1	1						Hand lever		(ZM2904078)
10	ZM2290482	1	1						Stop lever		
11	ZM7099461	1	1						Clamping pin		5x20
12	ZM2292251	2	2						Sleeve		
13	ZM2292255	1	1						Lever shaft		
14	ZM2291481	1	1						Pin		5x45

15	ZM2291464	1	1						Torsion spring		
16	ZM2291459	1	1						O-ring		(ZM2904075)
17	VOE15051912	1	1						Set screw		(ZM2291466)M6x50
18	ZM7095068	1	1						Screw		M6x25
19	ZM7098000	2	2						Nut		M6
20	VOE11370251	1	1						Centrifugal governor		(ZM2904074)
21	ZM2904079	1	1						Sleeve		
22	ZM2904076	1	1				SS		Roller lever		
23	ZM2904081	2	2						••Ball bearing		608-2Z
24	VOE11715759	2	2						••Bolt		(ZM2904082)A8K6x20
25	ZM2904083	1	1						••Pin		A4x8
26	ZM2904080	1	1						Axle		
27	ZM7098000	2	2						Nut		M6
28	ZM2291467	2	2						Washer		
29	ZM2291465	2	2						Washer		
30	VOE11370223	2	2						Stud		(ZM2291463)M6x12
31	ZM2904084	1	1						Control rod		
32	ZM2904085	1	1						Fixed pin		
33	ZM2290471	1	1						Pressure spring		
34	ZM2290459	1	1						Tappet bush		
35	ZM2290460	1	1				SS		Bearing spindle		M6x40
36	ZM2290461	1	1						Sealing ring		
37	ZM7098000	1	1						Nut		M6
38	ZM2290462	1	1						Nut		
39	ZM2290463	1	1				OP		Protec. cap		
40	VOE20464471	REQ	REQ						Locking fluid		(ZM2903718)
41	ZM2904379	4	4						Injection Pump		
42	ZM2901356	4	4						Roller tappet		
43	ZM2904128	4	4						Balancer gasket		0,4 mm
43	ZM2904129	REQ	REQ						Balancer gasket		0,5 mm
43	ZM2904130	REQ	REQ						Balancer gasket		0,6 mm
43	ZM2904131	REQ	REQ						Balancer gasket		0,7 mm
43	ZM2904132	REQ	REQ						Balancer gasket		0,8 mm
43	ZM2904133	REQ	REQ						Balancer gasket		0,9 mm
43	ZM2904134	REQ	REQ						Balancer gasket		1,0 mm
44	ZM2904135	4	4						Plug		
45	VOE20405802	8	8						Washer		(ZM4072470)
46	ZM7098010	8	8						Nut		M8
47	ZM2905364	1	1				SS		Case		
48	ZM2905365	1	1						O-ring		
49	ZM2905367	1	1						Pressure spring		
50	ZM2905366	1	1						Washer		
51	ZM7098392	1	1						Nut		M6

Date: <b>2013/11/14</b>	Image id: <b>0000095</b>	Catalogue: <b>07502</b>	Model: <b>L35</b>
Brand: <b>Volvo</b>	Serial: <b>1860001-1860461, 1880001-1880045, 1890001-1890073</b>	Group/Section: <b>237/100</b>	Title: <b>Injection pipes, Injection valve</b>



0000095

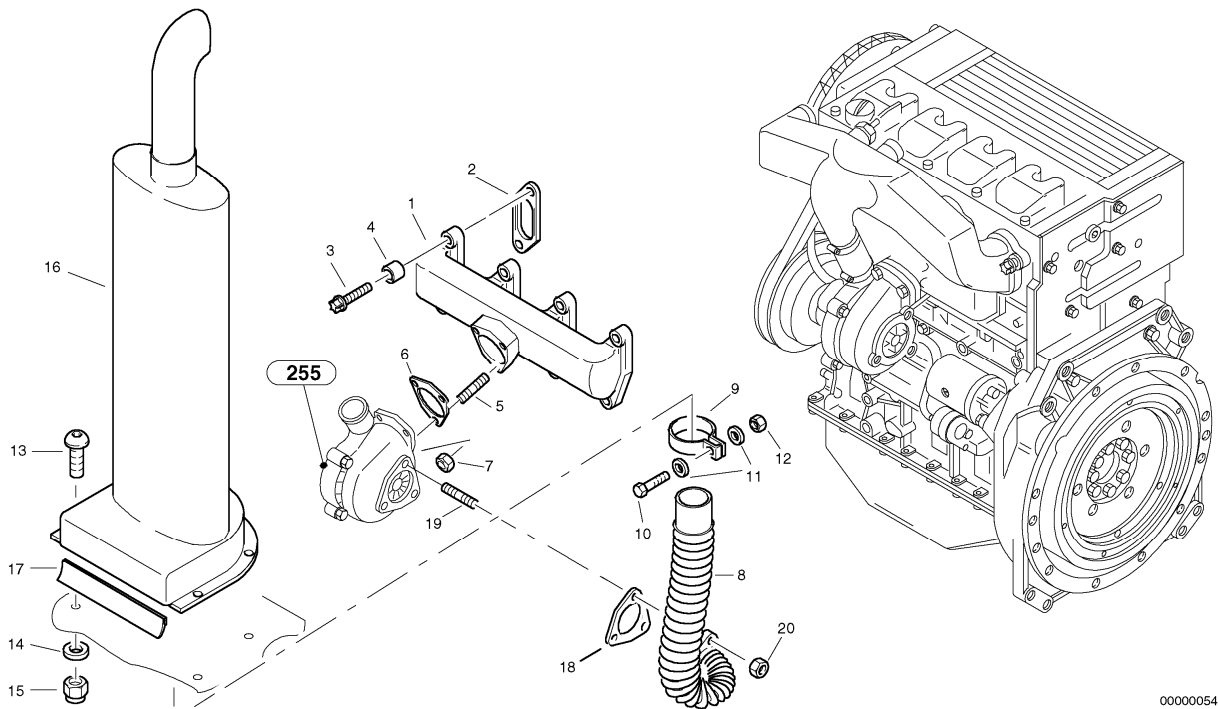
Q1-Q5	Option	Option description	
Q1 1860001			
Q2 1880001			

Pos	Part	Q1	Q2	Q3	Q4	Q5	PS	Kit	Description	Option(s)	Remark
1	ZM2904138	4	4						Injection valve		
2	VOE11705716	1	1						••Shim		(ZM2901179)1,00 mm
2	ZM2901180	REQ	REQ						••Spacer		1,04 mm
2	VOE11705718	REQ	REQ						••Shim		(ZM2901181)1,08 mm
2	ZM2901182	REQ	REQ						••Spacer		1,10 mm
2	ZM2901183	REQ	REQ						••Spacer		1,14 mm
2	ZM2901184	REQ	REQ						••Spacer		1,18 mm
2	VOE11705722	REQ	REQ						••Shim		(ZM2901185)1,20 mm
2	ZM2904144	REQ	REQ						••Spacer		1,22 mm
2	ZM2901186	REQ	REQ						••Spacer		1,24 mm
2	ZM2901187	REQ	REQ						••Spacer		1,28 mm
2	ZM2901188	REQ	REQ						••Spacer		1,30 mm
2	VOE11705726	REQ	REQ						••Shim		(ZM2901189)1,34 mm
2	ZM2901190	REQ	REQ						••Spacer		1,38 mm

2	ZM2901191	REQ	REQ						••Spacer		1,40 mm
2	ZM2901192	REQ	REQ						••Spacer		1,44 mm
2	ZM2901193	REQ	REQ						••Spacer		1,48 mm
2	ZM2901194	REQ	REQ						••Spacer		1,50 mm
2	ZM2901195	REQ	REQ						••Spacer		1,54 mm
2	ZM2901196	REQ	REQ						••Spacer		1,58 mm
2	ZM2901197	REQ	REQ						••Spacer		1,60 mm
2	ZM2901198	REQ	REQ						••Spacer		1,64 mm
2	ZM2901199	REQ	REQ						••Spacer		1,68 mm
2	VOE11705737	REQ	REQ						••Shim		(ZM2901200)1,70 mm
2	ZM2901201	REQ	REQ						••Spacer		1,74 mm
2	ZM2901202	REQ	REQ						••Spacer		1,78 mm
2	ZM2901203	REQ	REQ						••Spacer		1,80 mm
2	VOE11705741	REQ	REQ						••Shim		(ZM2901204)1,84 mm
2	ZM2901205	REQ	REQ						••Spacer		1,88 mm
2	VOE11705743	REQ	REQ						••Shim		(ZM2901206)1,90 mm
2	ZM2901207	REQ	REQ						••Spacer		1,94 mm
2	VOE11700462	REQ	REQ						••Shim		(ZM2901208)1,98 mm
3	ZM2904141	1	1						••Pressure spring		
4	VOE20405525	1	1						••Bolt		
5	VOE11700430	1	1						••Washer		(ZM2904142)
6	ZM2904140	1	1						••Nozzle element		
7	ZM2904143	1	1						••Clamping nut		
8	VOE11700426	4	4						Sealing ring		(ZM2290392)
9	ZM2904139	4	4						Stabilisor		
10	ZM2901217	4	4						Screw		(ZM2904122)
11	ZM2904751	4	4						Injection pipes		
12	ZM2908047	1	1						Leak-off line		(ZM2905337)See footnote 1365)
13	VOE20775904	2	2						Fitting		See footnote 1365)
14	ZM2908047	1	1						Leak-off line		(ZM2906314)See footnote 1365)
15	ZM2908047	2	2						Leak-off line		(ZM2900414)See footnote 1365)
16	ZM2290386	1	1				SS		Hose		See footnote 1365)
17	ZM2290388	1	1						Connecting piece		See footnote 1365)
18	ZM2905361	3	3				SS		Hose		See footnote 1365)
19	ZM2901215	1	1						Hose		See footnote 1365)
20	ZM2905336	1	1						Holder ribbon		
21	ZM2904146	1	1						Fuel pipe		
22	ZM2290272	4	4				SS		Hollow screw		8
23	ZM5138008	8	8						Seal		(ZM7099528)A12x18
24	ZM2908264	1	1						Rubber hose		(ZM2904148)
25	ZM2908264	1	1						Rubber hose		(ZM2290398)
26	VOE20914426	4	4						Hose Clamp		(ZM2904147)

1365) only 2908047 cpl. deliverable

Date: <b>2013/11/14</b>	Image id: <b>0000054</b>	Catalogue: <b>07502</b>	Model: <b>L35</b>
Brand: <b>Volvo</b>	Serial: <b>1860001-1860461, 1880001-1880045, 1890001-1890073</b>	Group/Section: <b>252/100</b>	Title: <b>Exhaust system</b>



0000054

Q1-Q5	Option	Option description	
Q1 1860001			
Q2 1880001			

Pos	Part	Q1	Q2	Q3	Q4	Q5	PS	Kit	Description	Option(s)	Remark
1	ZM2907513	1	1						Collecting pipe		(ZM2904411)
2	ZM4083910	4	4						Stiffener		
3	VOE20481810	8	8						Screw		(ZM2904037)
4	ZM2904412	8	8						Bushing		
5	VOE20834041	3	3						Stud		M8x20
6	ZM2900459	1	1						Gasket		
7	ZM7098010	3	3						Nut		M8
8	ZM2810937	1	1						Exhaust hose		
9	VOE11306075	1	1						Clamp		(ZM8092911)58,5
10	VOE983244	1	1						Hexagon screw		(ZM7095519)M8x30
11	VOE11305837	2	2						Washer		(ZM7090940)B 8,4
12	ZM7098010	1	1						Nut		M8
13	ZM2810334	4	4						Screw		M10x25
14	VOE11307559	4	4						Washer		(ZM709094)B10,5

15	ZM2120430	4	4						Nut		VM10
16	ZM2810936	1	1						Muffler		
17	VOE11306373	1	1						Sealing moulding		(ZM4419055)L = 300MM
18	ZM4083930	1	1						Stiffener		
19	VOE20834041	3	3						Stud		M8x20
20	ZM7098010	3	3						Nut		M8



**Suggest:**

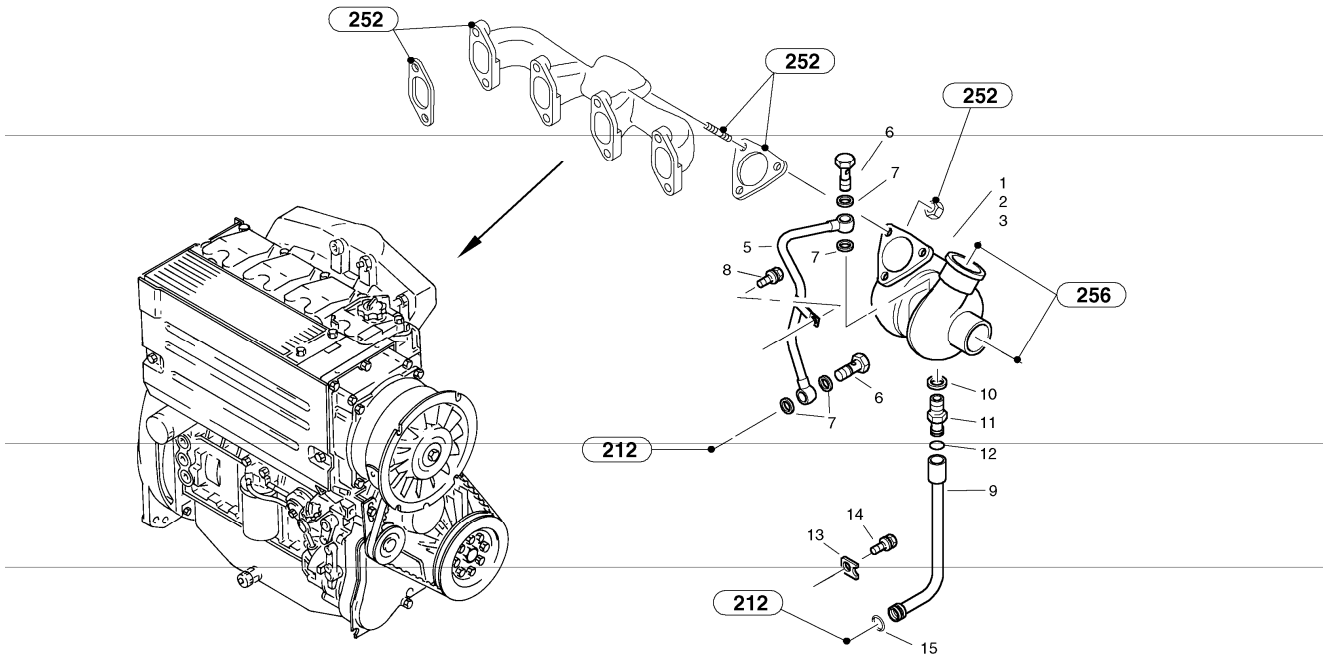
**For more complete manuals. Please go to the home page.**

**<https://www.ebooklibonline.com>**

**If the above button click is invalid. Please download this document first, and then click the above link to download the complete manual.**

**Thank you so much for reading**

Date: <b>2013/11/14</b>	Image id: <b>00000119</b>	Catalogue: <b>07502</b>	Model: <b>L35</b>
Brand: <b>Volvo</b>	Serial: <b>1860001-1860461, 1880001-1880045, 1890001-1890073</b>	Group/Section: <b>255/100</b>	Title: <b>Exhaust turbo - super charger</b>

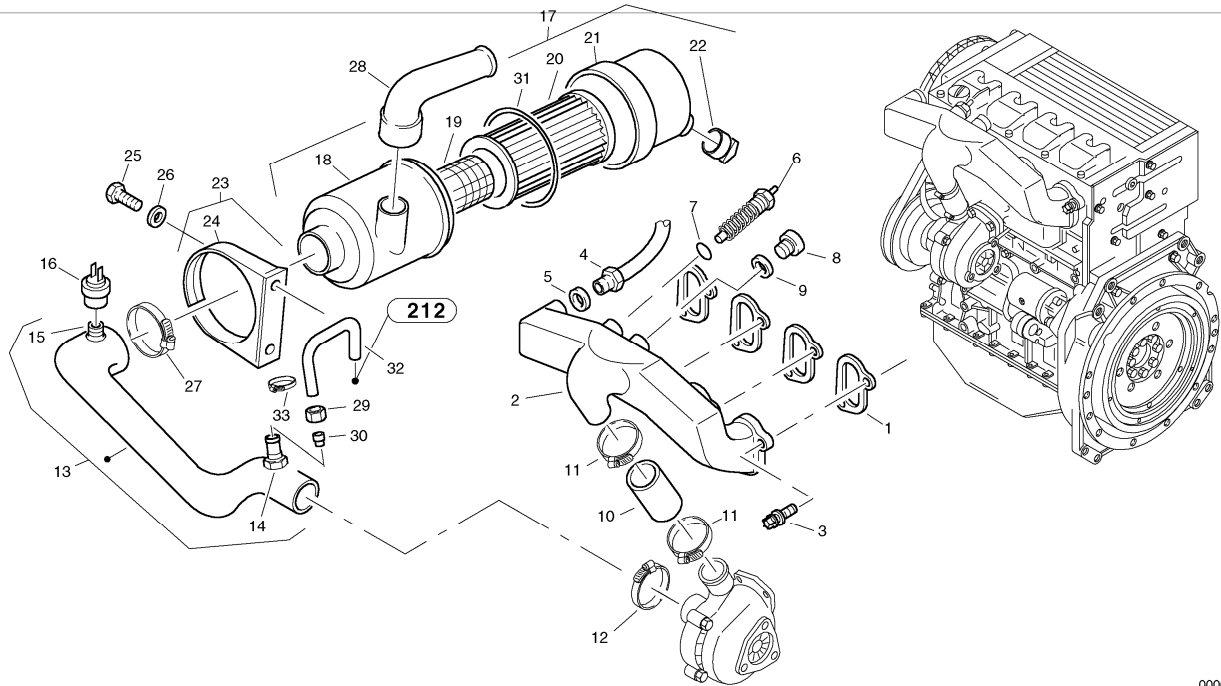


00000119

Q1-Q5	Option	Option description	
Q1 1860001			
Q2 1880001			

Pos	Part	Q1	Q2	Q3	Q4	Q5	PS	Kit	Description	Option(s)	Remark
1	ZM2904185	1	1						Exhaust turbo - super cha		
2	ZM2905393	REQ	REQ						Repair Kit		
3	ZM2905394	REQ	REQ				OP		Fuselage group		
5	ZM2904732	1	1						Oil Pipe		
6	ZM2290272	2	2				SS		Hollow screw		8
7	VOE13947282	4	4						Gasket		(ZM7099538)A12x16
8	ZM2904733	1	1						Screw		
9	ZM2904764	1	1						Oil pipe		
10	VOE13947622	1	1						Plane gasket		(ZM7099500)A16x20
11	VOE20459171	1	1						Nipple		(ZM2904766)
12	VOE20459172	1	1						Sealing ring		(ZM2290908)
13	ZM2905360	1	1						Retaining plate		
14	ZM2904733	1	1						Screw		
15	ZM2904191	1	1						O-ring		

Date: <b>2013/11/14</b>	Image id: <b>00000117</b>	Catalogue: <b>07502</b>	Model: <b>L35</b>
Brand: <b>Volvo</b>	Serial: <b>1860001-1860461, 1880001-1880045, 1890001-1890073</b>	Group/Section: <b>256/100</b>	Title: <b>Suction system, filter</b>



00000117

Q1-Q5	Option	Option description	
Q1 1860001			
Q2 1880001			
Q3 1890001			

Pos	Part	Q1	Q2	Q3	Q4	Q5	PS	Kit	Description	Option(s)	Remark
1	ZM2903605	4	4	4					Gasket		
2	ZM2905362	1	1	1					Suction pipe		
3	VOE3586624	8	8	8					Hexagon screw		(ZM2905363)
4	ZM2905386	1	1	1					Hose assembly		M10x1
5	ZM7099577	1	1	1			SS		Seal		A10x13,5
6	ZM4065780	1	1	1					Support		
7	VOE20460026	1	1	1					Sealing ring		(ZM7099523)A22x27
8	ZM7099424	1	1	1					Screw plug		M22x1,5
9	VOE20460026	1	1	1					Sealing ring		(ZM7099523)A22x27
10	ZM4074550	1	1	1					Hose connection		
11	ZM4084040	2	2	2					Clamp		
12	ZM2060784	1	1	1					Clip		AS50-70
13	ZM2817353	1	1	1					Suction hose		(ZM2813362)

**<https://www.ebooklibonline.com>**

Hello dear friend!

Thank you very much for reading.

Enter the link into your browser.

The full manual is available for immediate download.

**<https://www.ebooklibonline.com>**