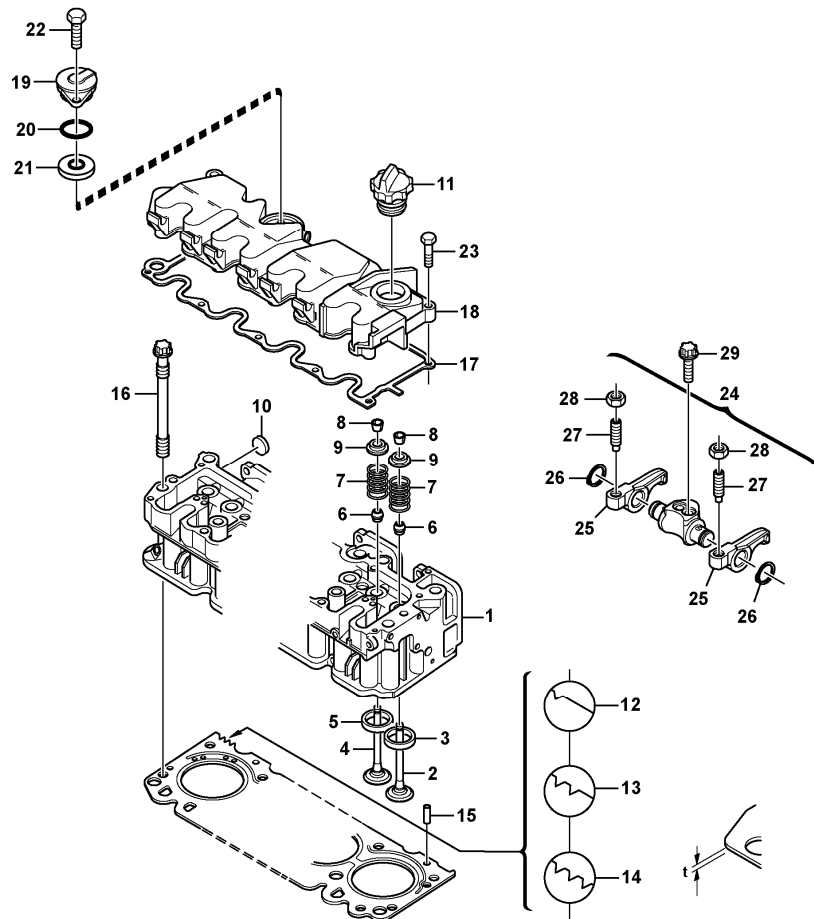


Date: 2013/11/16	Image id: 1052913	Catalogue: 20039	Model: L30B
Brand: Volvo	Serial: 1823000-1829999, 1833000-1839999, 1853000-1859999	Group/Section: 211/100	Title: Cylinder head, timing gears



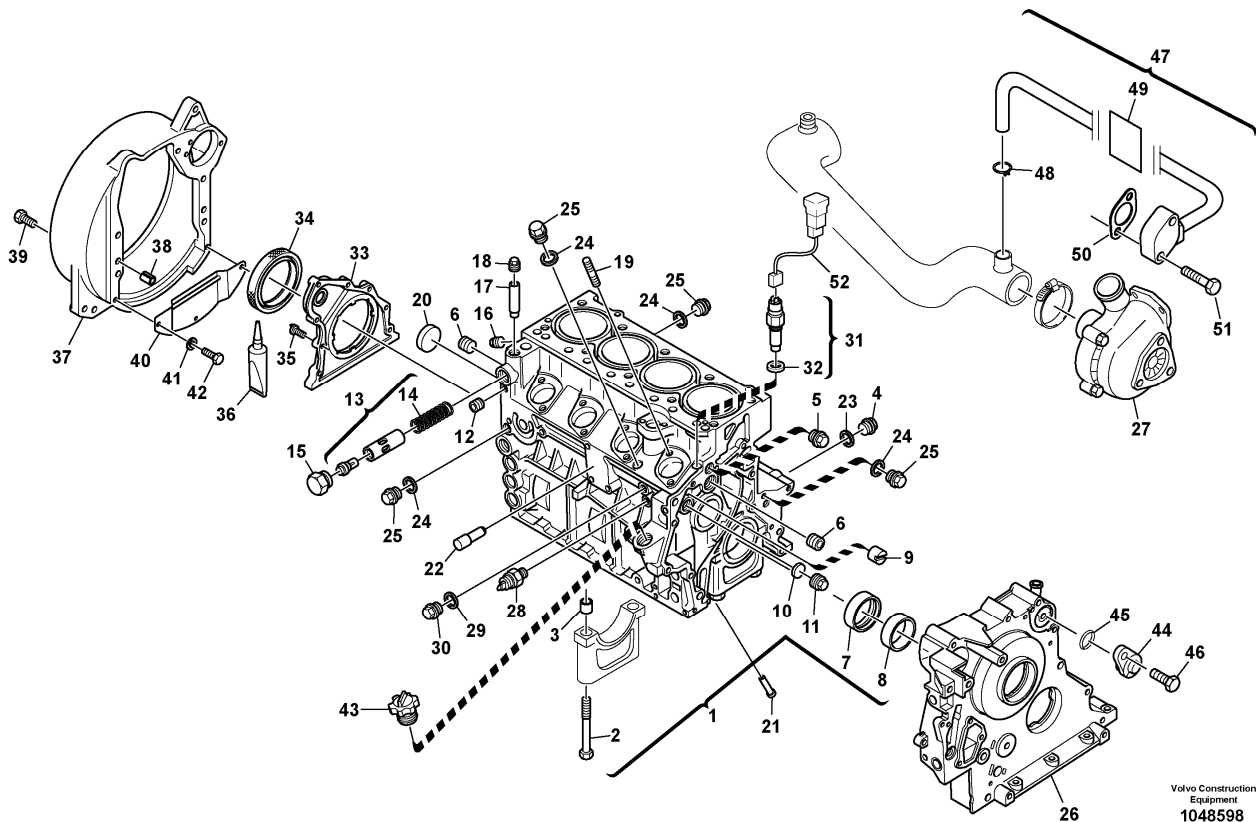
Volvo Construction
Equipment
1052913

Q1-Q5	Option	Option description	
Q1 11306227			
Q2 11308623			
Q3 15211727			

Pos	Part	Q1	Q2	Q3	Q4	Q5	PS	Kit	Description	Option(s)	Remark
1	VOE11715744	1							Cylinder head		
1	VOE15052891		1	1					Cylinder head		
2	VOE11715747	4	4	4					•Inlet valve		
3	VOE15052905	4							•Valve seat		(VOE11715746)
3	VOE15052905		4	4					•Valve seat		
4	ZM2908492	4	4	4					•Exhaust Valve		
5	VOE11370184	4					SS		•Valve seat ring		37,07 mm
5	ZM2290500	REQ							•Valve seat ring		37,27 mm

5	VOE15052901		4	4					•Valve seat		
6	VOE20459855	8	8	8					•Valve seal		(ZM2904368)
7	ZM2904091	8	8	8					•Pressure spring		
8	VOE20459857	16	16	16					•Valve sleeve		
9	VOE15053220	8	8	8					•Washer		
10	ZM2906743	3	3	3					•Cover		
11	ZM2904064	1	1	1					Filler cap		
12	VOE11715533	1					SS		Cylinder gasket head		THICK = 1,48 MM
12	VOE15052907		1	1					Cylinder gasket head		THICK = 1,47 MM
13	VOE11715534	1							Cylinder gasket head		THICK = 1,55 MM
13	VOE15052909		1	1					Cylinder gasket head		THICK = 1,52 MM
14	VOE11715536	1							Cylinder gasket head		THICK = 1,60 MM
14	VOE15052899		1	1					Cylinder gasket head		THICK = 1,57 MM
15	VOE21033924	2	2	2					Guide pin		
16	ZM2904092	10	10	10					Cylinder head screw		
17	VOE15163264	1	1	1					Valve cover gasket		(VOE11370601)
18	VOE11715742	1	1	1					Valve cover		
19	VOE11370605	1	1	1					•Release valve		
20	ZM2904066	1	1	1					••O-ring		
21	VOE15154076	1	1	1					•Oil separator		
22	VOE11370258	1	1	1					•Hexagon screw		
23	ZM2908485	10	10	10					Screw		
24	ZM2290529	4	4	4					Valve rocker support		
25	ZM2290526	2	2	2					•Rocker Arm		
26	ZM7094952	2	2	2					•Safety ring		18x1,2
27	ZM2290527	2	2	2					•Adjusting screw		
28	VOE11700373	2	2	2					•Nut		
29	VOE20459853	8	8	8					Screw		

Date: 2013/11/16	Image id: 1048598	Catalogue: 20039	Model: L30B
Brand: Volvo	Serial: 1823000-1829999, 1833000-1839999, 1853000-1859999	Group/Section: 212/100	Title: Engine casing, Ventilation



Volvo Construction
Equipment
1048598

Q1-Q5	Option	Option description	
Q1 11306227			
Q2 11308623			
Q3 15211727			

Pos	Part	Q1	Q2	Q3	Q4	Q5	PS	Kit	Description	Option(s)	Remark
1	VOE11370613	1							Crankcase		
1	VOE15053275		1	1			SS		Cylinder block		
2	ZM2290540	10	10	10					•Hexagon screw		
3	ZM4010300	10	10	10					•Bushing		
4	VOE20459941	1	1	1					•Plug		
5	ZM2904050	1	1	1					•Screw plug		
6	ZM2908480	2	2	2					•Screw plug		
7	ZM2904048	2	2	2					•Bearing bush		

<https://www.ebooklibonline.com>

Hello dear friend!

Thank you very much for reading.

Enter the link into your browser.

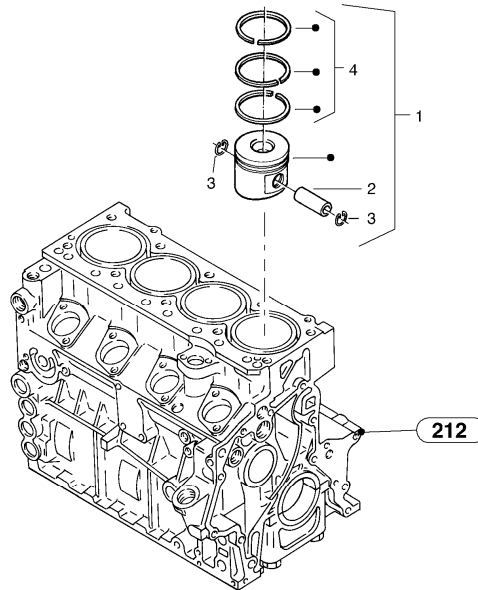
The full manual is available for immediate download.

<https://www.ebooklibonline.com>

8	VOE20795762	3	3	3					•Bearing Bushing		
9	VOE15053296	2	2	2					•Guide sleeve		
10	VOE11370177	1							•Plug		
11	ZM2905346	1							•Screw plug		
11	VOE15053810		1	1					•Plug		
12	VOE20860215	1	1	1					•Screw		(ZM2905340)
13	ZM2904169	1	1	1					•Thermostat		
14	ZM2904053	1	1	1					••Pressure spring		
15	ZM2905345	1	1	1					•Screw plug		
16	VOE20459853	1							•Screw		
16	VOE20405718		1	1					•Plug		
17	ZM2904051	1	1	1					•Tube		
18	ZM2905344	1	1	1					•Screw plug		
19	VOE11715739	8	8	8					•Stud		
20	VOE11370179	1	1	1					•Cover		
21	ZM2904056	8	8	8					•Piston cooling jet		
22	ZM2904057	1	1	1					•Pin		
23	VOE20460061	1	1	1					•Sealing ring		
24	VOE11700631	4	4	4					Sealing ring		(ZM7099530)
25	VOE960628	4	4	4					Plug		
26		1	1	1					Front cover		
27		1	1	1					Turbocharger		
28	ZM2905379	1	1	1					Oil pressure switch		
29	VOE13947624	1	1	1					Plane gasket		
30	VOE11305512	1	1	1					Lock plug		AM18x1,5
31	ZM2904059	1							Temperature transmitter		(VOE11715605)
31	VOE15054496		1	1					Sensor		
32	VOE13947621	1							•Plane gasket		(ZM7099503)A14x18
32	VOE15051423		1	1					•Sealing ring		
33	ZM15020566	1	1	1					Cover rear		
34	ZM2292220	1	1	1					•Radial seal		
35	ZM2290455	8	8	8					Screw		
36	ZM4084070	REQ							Sealant		
37	ZM2905335	1	1	1					Intermediate housing		
38	ZM2290547	2	2	2					Bushing		
39	VOE20554683	4	4						Screw		(ZM8096638)
40	ZM2290561	1	1						Cover plate		
41	VOE973494	3	3						Washer		(VOE20459183)
42	VOE20459986	3	3						Screw		(ZM7098752)
43	ZM2904064	1	1						Filler cap		
44	ZM2904065	1	1						Valve		
45	ZM2904066	1	1						O-ring		
46	VOE11370258	1	1						Hexagon screw		
47	VOE11715740	1	1						Air vent pipe		
48	ZM2904172	1	1						•Hose Clamp		

49	VOE20450861	1	1						•Sleeve		
50	VOE11370603	1	1						Gasket		
51	VOE11370593	2	2						Hexagon screw		
52	VOE15206043		1						Electric cable		S/N 1826001 - S/N 1836001 - S/N 1856001 -

Date: 2013/11/16	Image id: 1003083	Catalogue: 20039	Model: L30B
Brand: Volvo	Serial: 1823000-1829999, 1833000-1839999, 1853000-1859999	Group/Section: 213/100	Title: Cylinder bush and piston

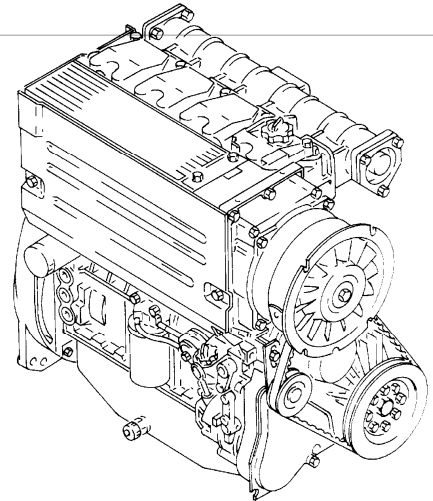
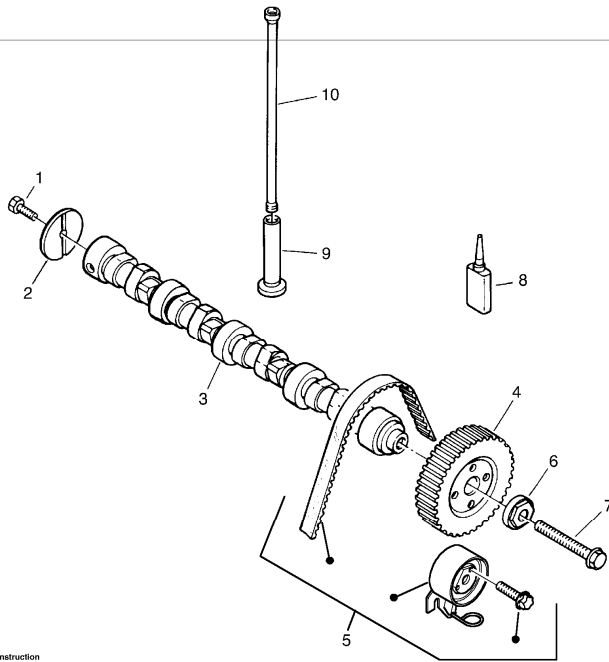


Volvo Construction
Equipment
1003083

Q1-Q5	Option	Option description	
Q1 11306227			
Q2 11308623			
Q3 15211727			

Pos	Part	Q1	Q2	Q3	Q4	Q5	PS	Kit	Description	Option(s)	Remark
1	VOE11715529	4					SS		Piston		
1	VOE15053290		4	4					Piston		
2	VOE11715530	1	1	1					•Bolt		
3	VOE11715531	2	2	2					•Retaining ring		
4	VOE11715532	1							•Piston ring kit		
4	VOE15053366		1	1					•Piston ring kit		

Date: 2013/11/16	Image id: 1009219	Catalogue: 20039	Model: L30B
Brand: Volvo	Serial: 1823000-1829999, 1833000-1839999, 1853000-1859999	Group/Section: 215/100	Title: Camshaft

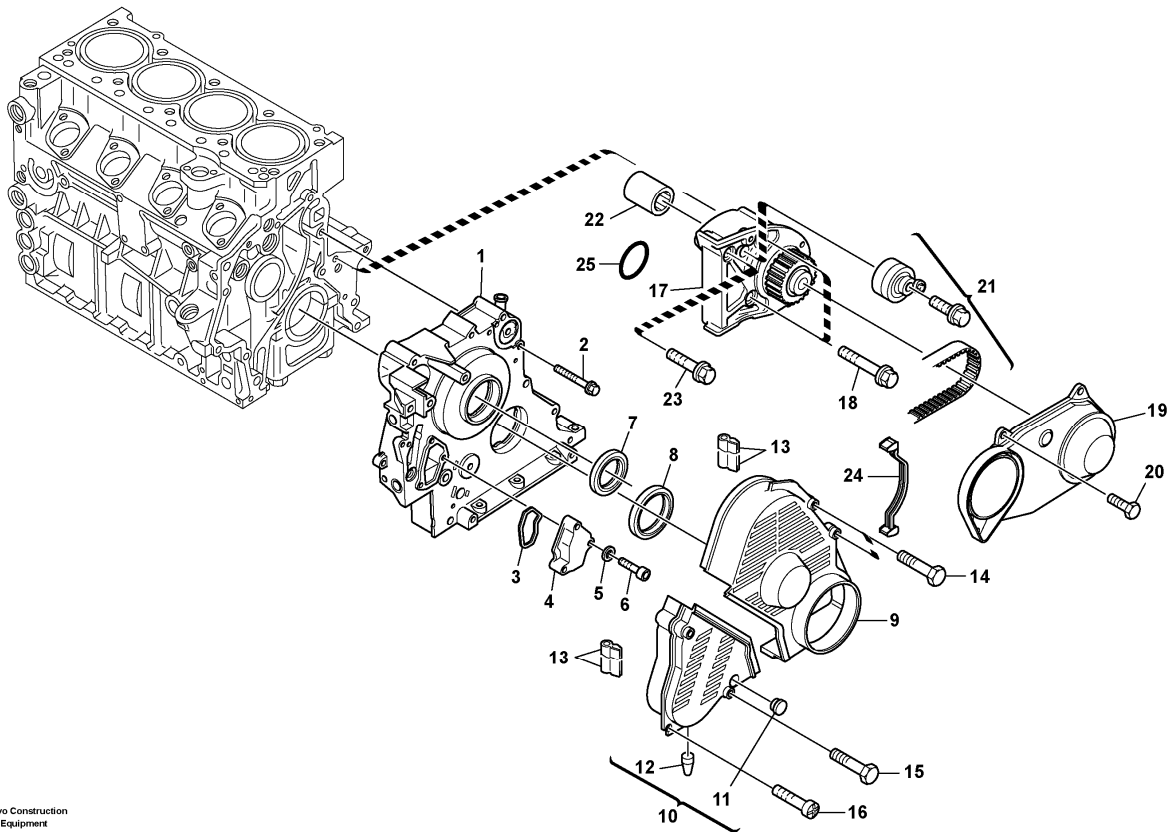


Volvo Construction
Equipment
1009219

Q1-Q5	Option	Option description	
Q1 11306227			
Q2 11308623			
Q3 15211727			

Pos	Part	Q1	Q2	Q3	Q4	Q5	PS	Kit	Description	Option(s)	Remark
1	VOE20556888	1	1	1					Hexagon screw		
2	ZM2290517	1	1	1					Spacer disc		
3	VOE11370640	1							Camshaft		
3	VOE15053919		1	1					Camshaft		
4	VOE11370641	1							Pulley		
4	VOE15053819		1	1					Camshaft gear		
5	VOE20945013	1	1	1					Repair Kit		
6	ZM2290522	1	1	1					Washer		
7	VOE20797281	1	1	1					Hexagon screw		M14x1,5x110
8		REQ	REQ	REQ			NS		Sealing compound		
9	ZM2904101	2	2	2					Valve tappet		
10	ZM2290524	2							Push rod		
10	VOE15053292		2	2					Push rod		

Date: 2013/11/16	Image id: 1021126	Catalogue: 20039	Model: L30B
Brand: Volvo	Serial: 1823000-1829999, 1833000-1839999, 1853000-1859999	Group/Section: 215/200	Title: Timing gear housing (front cover)



Q1-Q5	Option	Option description	
Q1 11306227			
Q2 11308623			
Q3 15211727			

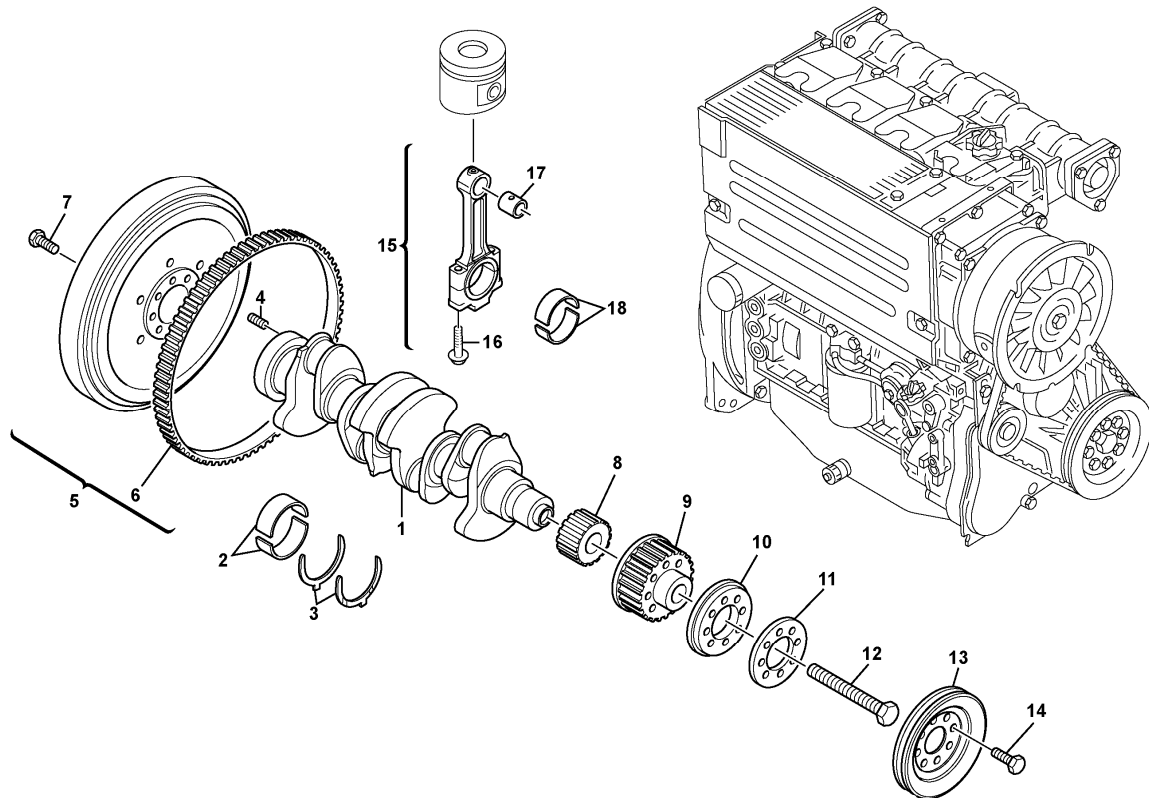
Pos	Part	Q1	Q2	Q3	Q4	Q5	PS	Kit	Description	Option(s)	Remark
1	VOE11370652	1	1	1					Cover		
2	ZM2908498	11	11	11					Screw		
3	ZM2904068	1	1	1					Profil gasket		
4	ZM2904070	1	1	1					Cover		
5	VOE20459074	3	3	3					Washer		(VOE11700497)
6	VOE11370253	3	3	3					Screw		
7	ZM2291470	1	1	1					Seal		
8	ZM2290458	1	1	1					Seal		

9	VOE11715748	1	1	1					Protecting casing		See footnote 1415)
9	VOE11715974	1	1	1					Protecting casing		See footnote 1375)
10	VOE11715749	1	1	1					Protecting casing		
11	ZM2904072	1	1	1					•Plug		
12	VOE11370190	1	1	1					•Rubber sleeve		
13	VOE11370596	REQ	REQ	REQ					Sealing moulding		
14	VOE11370191	3	3	3					Hexagon screw		
15	VOE11370192	2	2	2					Hexagon screw		
16	VOE20460068	1	1	1					Screw		
17	VOE11370649	1	1	1					Bracket		See footnote 1375)
18	ZM2906901	2	2	2					Screw		See footnote 1375) M10X90
19	VOE11370276	1	1	1					Protecting casing		See footnote 1375)
20	VOE20534527	5	5	5					Screw		See footnote 1375) M6X25
21	VOE20945006	1	1	1					Repair Kit		See footnote 1375)
22	VOE11370278	1	1	1					Engaging sleeve		See footnote 1375)
23	VOE20797178	1	1	1					Screw		(VOE11370279)See footnote 1375) M10X75
24	VOE11370611	1	1	1					Gasket		See footnote 1375)
25	ZM2291529	1	1	1					O-ring		See footnote 1375)

1375) only by auxiliary pump

1415) not by auxiliary pump

Date: 2013/11/16	Image id: 1032926	Catalogue: 20039	Model: L30B
Brand: Volvo	Serial: 1823000-1829999, 1833000-1839999, 1853000-1859999	Group/Section: 216/100	Title: Crankshaft



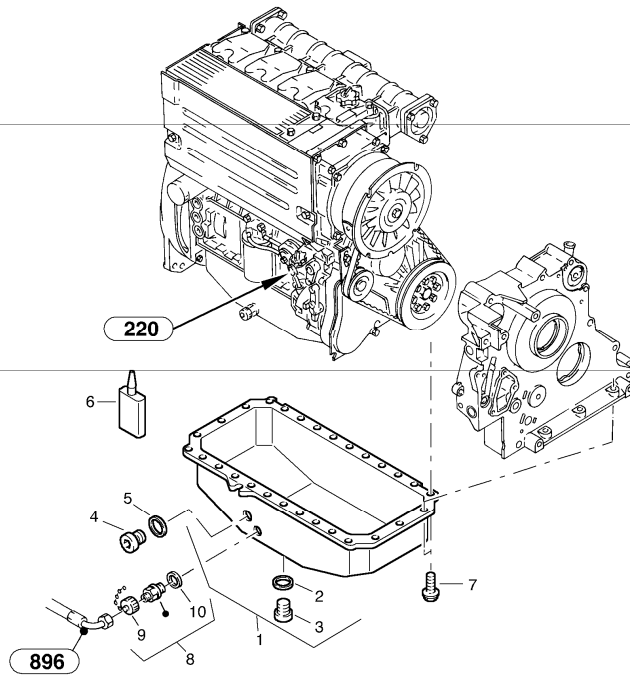
Volvo Construction
Equipment
1032926

Q1-Q5	Option	Option description	
Q1 11306227			
Q2 11308623			
Q3 15211727			

Pos	Part	Q1	Q2	Q3	Q4	Q5	PS	Kit	Description	Option(s)	Remark
1	VOE11370180	1							Crankshaft		
1	VOE15053306		1	1					Crankshaft		
2	ZM2290402	5							•Crankshaft bearing		69,50 mm
2	ZM2900539	REQ							•Crankshaft bearing		69,75 mm
2	ZM2290400	REQ							•Crankshaft bearing		70,00 mm
2	ZM2290400		REQ	REQ					Crankshaft bearing		
3	VOE20944762	1							•Thrust Washer		2,40 mm
3	VOE20944762		1	1					Thrust Washer		

3	VOE20944769	REQ							•Thrust Washer		2,60 mm
4	ZM2904375	1	1	1					Thread Insert		
5	ZM2908532	1	1	1					Flywheel		
6	ZM2908533	1	1	1					•Gear ring		
7	ZM2290407	8	8	8					Screw		
8	ZM2290408	1	1	1					Toothed belt wheel		
9	ZM2290409	1	1	1					Toothed belt wheel		
10	VOE11370230	1	1	1					Spacer		
11	VOE11370229	1	1	1					Deflector		
12	ZM2290411	1	1	1					Screw		(VOE11715741)
13	ZM2905385	1							V-belt pulley		
13	ZM2290429		1	1					Pulley		
14	ZM2908482	8	8	8					Screw		
15	VOE11370607	4					SS		Connecting rod		
15	VOE15053277		4	4					Connecting rod		
16	VOE11370610	2							•Connecting rod bolt		
16	VOE15053932		2	2					•Screw		
17	ZM2290431	1	1	1					•Bushing		33,07 - 33,11 mm
17	ZM2900544	REQ	REQ	REQ					•Bushing		33,32 - 33,36 mm
18	ZM2900543	4							Big end bearing		54,50 mm
18	ZM2900542	REQ							Big end bearing		54,75 mm
18	ZM2290432	REQ							Big end bearing		55,00 mm
18	VOE15186588		4	4					•Big-end bearing kit		(VOE15053863)

Date: 2013/11/16	Image id: 1003086	Catalogue: 20039	Model: L30B
Brand: Volvo	Serial: 1823000-1829999, 1833000-1839999, 1853000-1859999	Group/Section: 217/100	Title: Oil sump

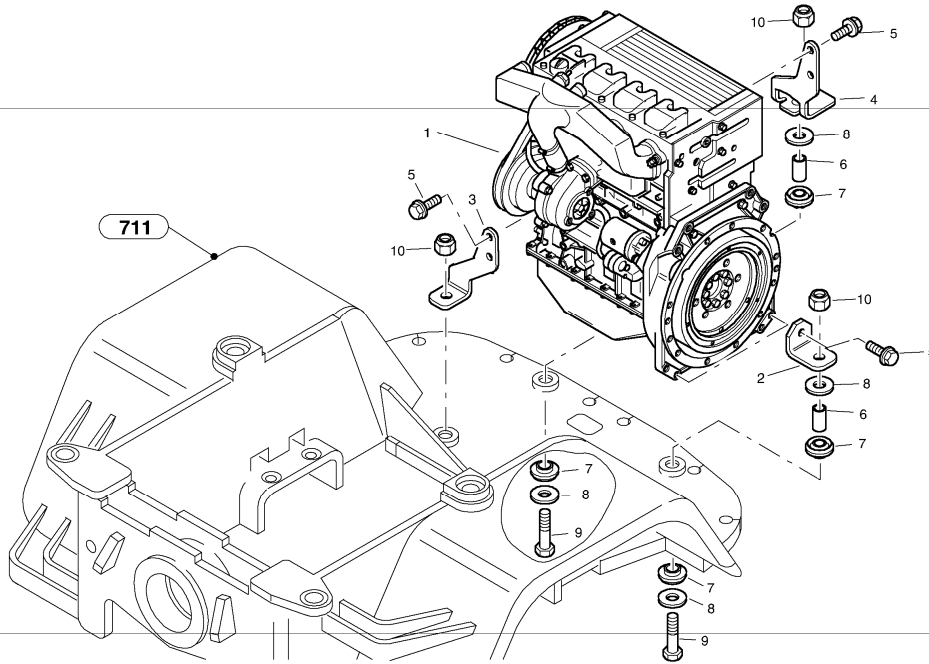


Volvo Construction
Equipment
1003086

Q1-Q5	Option	Option description	
Q1 11306227			
Q2 11308623			
Q3 15211727			

Pos	Part	Q1	Q2	Q3	Q4	Q5	PS	Kit	Description	Option(s)	Remark
1	VOE11370134	1	1	1					Oil pan		
2	VOE13947624	1	1	1					•Plane gasket		
3	VOE20450891	1	1	1					•Plug		
4	VOE20460024	1	1	1					•Plug		
5	VOE20460026	1	1	1					•Sealing ring		
6	ZM2903926	REQ	REQ	REQ					Sealing compound		
7	ZM2292234	26	26	26					Screw		
8	ZM4384256	1							Valve		
9	ZM2285689	1							•Chain with cap		
10	ZM7099518	1							•Seal		

Date: 2013/11/16	Image id: 1009314	Catalogue: 20039	Model: L30B
Brand: Volvo	Serial: 1823000-1829999, 1833000-1839999, 1853000-1859999	Group/Section: 218/100	Title: Engine assy



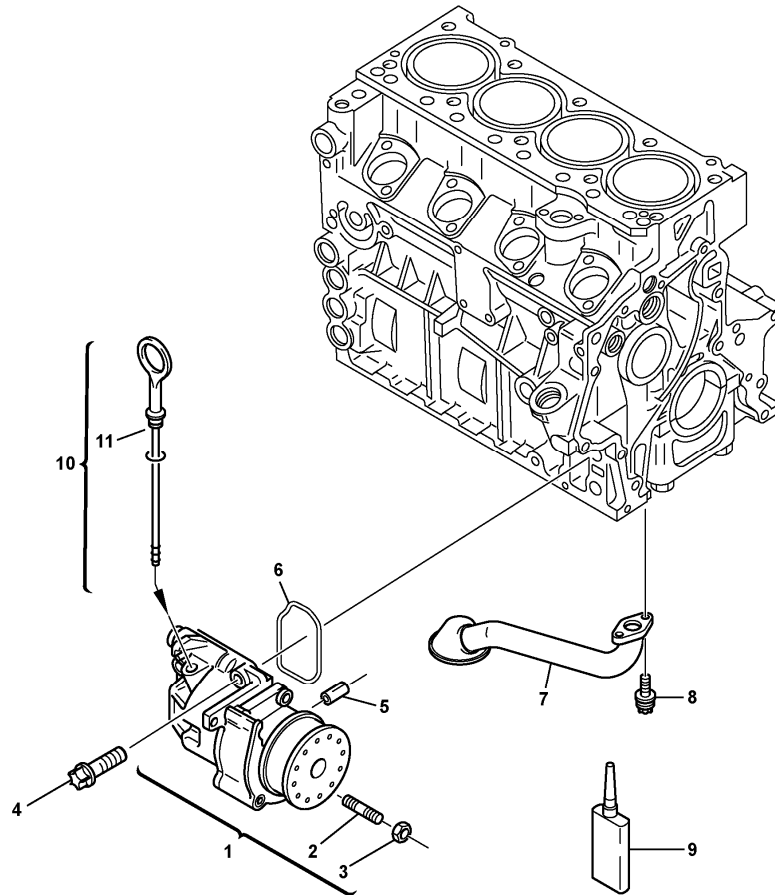
Volvo Construction
Equipment
1009314

Q1-Q5	Option	Option description	
Q1 11306227			
Q2 11309553			
Q3 11308623			
Q4 15211727			

Pos	Part	Q1	Q2	Q3	Q4	Q5	PS	Kit	Description	Option(s)	Remark
1	VOE11306227	1					SS		Diesel engine		
1	VOE11309553		1						Diesel engine		
1	VOE11308623			1					Engine		
1	VOE15211727				1				Engine		
2	VOE11306348	2	2	2	2				Retainer		
3	VOE11306347	1	1	1	1				Retainer		
4	VOE11306346	1	1	1	1				Retainer		
5	VOE980056	6	6	6	6				Flange screw		M14x30
6	ZM2812436	4	4	4	4				Tube		
7	ZM2811225	8	8	8	8				Buffer		
8	VOE11307333	4	4	4	4				Washer		
9	VOE978952	4	4	4	4				Hexagon screw	VOE113900 10	M20x100 S/N 1857849 -

9	VOE978952	4	4	4	4				Hexagon screw	VOE289222 5	M20x100 S/N 1836266	-
9	VOE978952	4	4	4	4				Hexagon screw	VOE289222 7	M20x100 S/N 1826035	-
9	VOE978953	4	4	4	4				Hexagon screw	VOE113900 10	M20x100 S/N 1857850 -	-
9	VOE978953	4	4	4	4				Hexagon screw	VOE289222 5	M20x100 S/N 1836267 -	-
9	VOE978953	4	4	4	4				Hexagon screw	VOE289222 7	M20x100 S/N 1826036 -	-
10	VOE982489	4	4	4	4				Lock nut			

Date: 2013/11/16	Image id: 1003084	Catalogue: 20039	Model: L30B
Brand: Volvo	Serial: 1823000-1829999, 1833000-1839999, 1853000-1859999	Group/Section: 221/100	Title: Oil pump

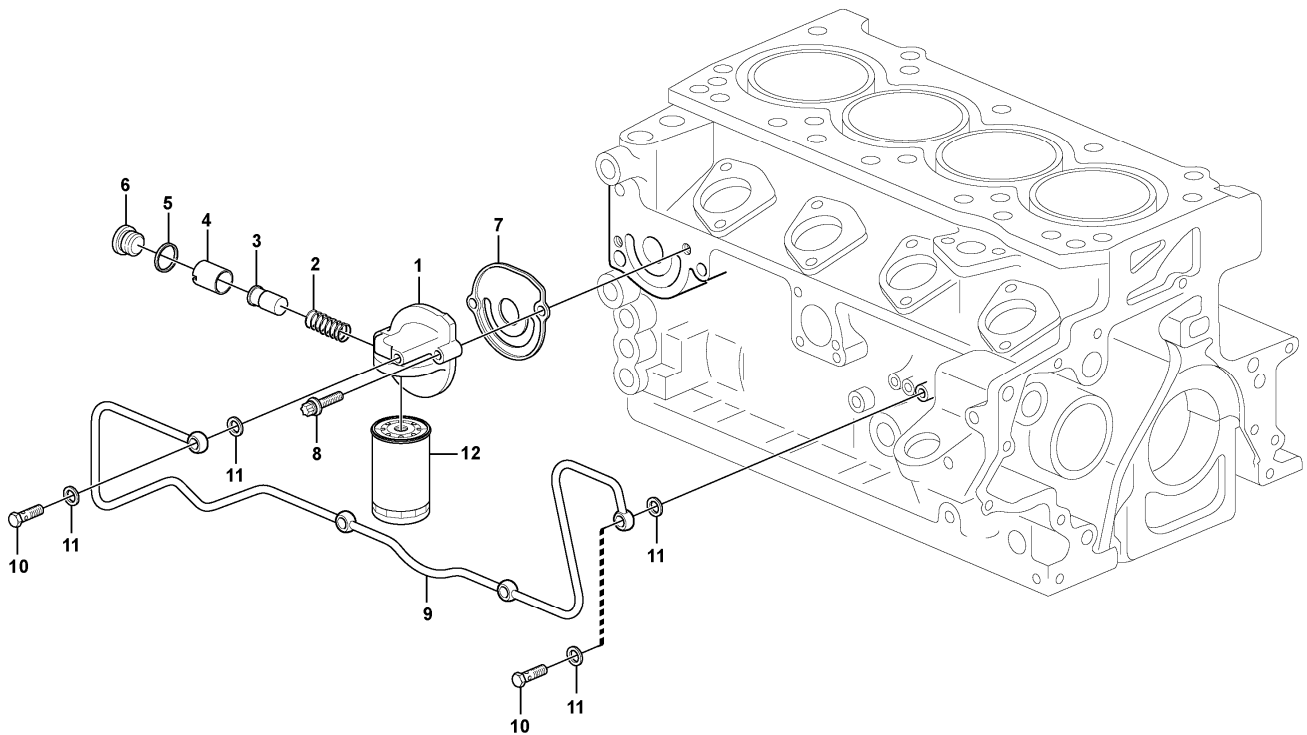


Q1-Q5	Option	Option description	
Q1 11306227			
Q2 11308623			
Q3 15211727			

Pos	Part	Q1	Q2	Q3	Q4	Q5	PS	Kit	Description	Option(s)	Remark
1	VOE15053902	1	1	1					Oil pump		
2	VOE15028996	1	1	1					•Pin		M6X40
3	VOE20460939	1	1	1					•Hexagon nut		M6
4	ZM2904117	4	4	4					Screw		
5	ZM2904118	2	2	2					Clamping pin		
6	ZM2904119	1	1	1					Gasket		
7	VOE11715751	1	1	1					Oil pipe		
8	VOE20797217	2	2	2					Flange screw		(VOE11715752)

9	ZM2903828	1					OP		Locking agent		
10	VOE15020602	1	1	1					Dipstick		
11	ZM2905171	1	1	1					•O-ring		8,5x2,5

Date: 2013/11/16	Image id: 1032981	Catalogue: 20039	Model: L30B
Brand: Volvo	Serial: 1823000-1829999, 1833000-1839999, 1853000-1859999	Group/Section: 222/100	Title: Oil filter



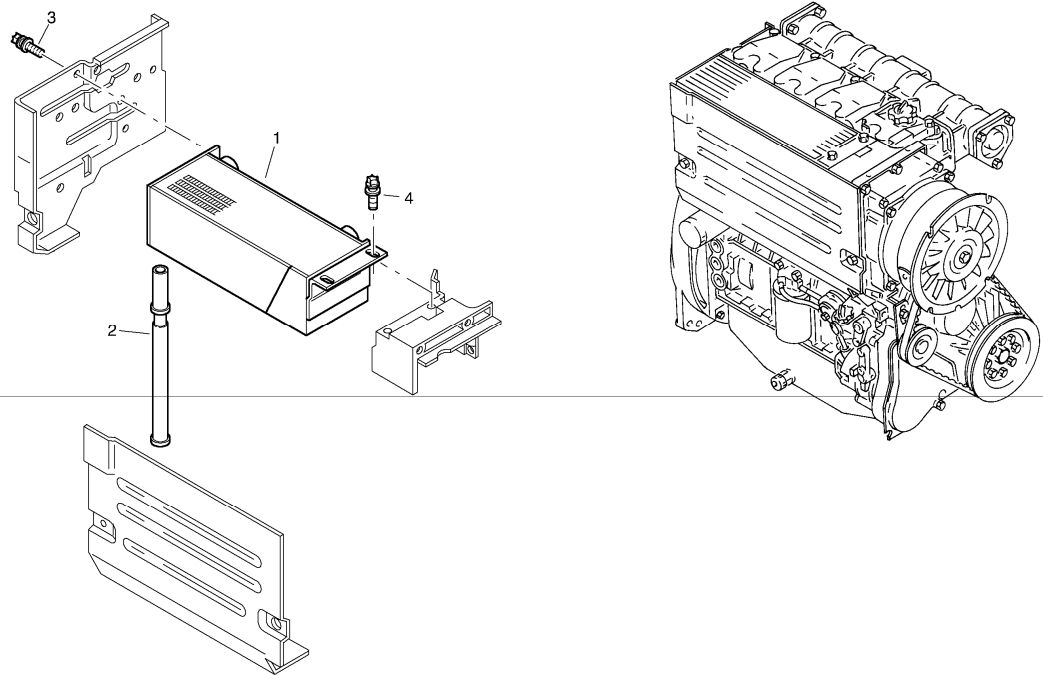
Volvo Construction
Equipment
1032981

Q1-Q5	Option	Option description	
Q1 11308623			
Q2 15211727			

Pos	Part	Q1	Q2	Q3	Q4	Q5	PS	Kit	Description	Option(s)	Remark
1	VOE15053792	1	1						Oil filter housing		
2	VOE15053890	1	1						•Spring		
3	VOE15053887	1	1						•Valve		
4	VOE15053936	1	1						•Temperature sensor		
5	VOE20515173	1	1						•Gasket		
6	VOE21094611	1	1						•Plug		(VOE11715753)
7	VOE15053811	1	1						Gasket		
8	ZM2908513	2	2						Screw		
9	VOE15053897	1	1						Oil line		

10	ZM4074290	4	4						•Tube		
11	VOE13947281	8	8						•Gasket		
12	VOE11715272	1	1						Oil filter		

Date: 2013/11/16	Image id: 1009201	Catalogue: 20039	Model: L30B
Brand: Volvo	Serial: 1823000-1829999, 1833000-1839999, 1853000-1859999	Group/Section: 223/100	Title: Engine - oil cooler

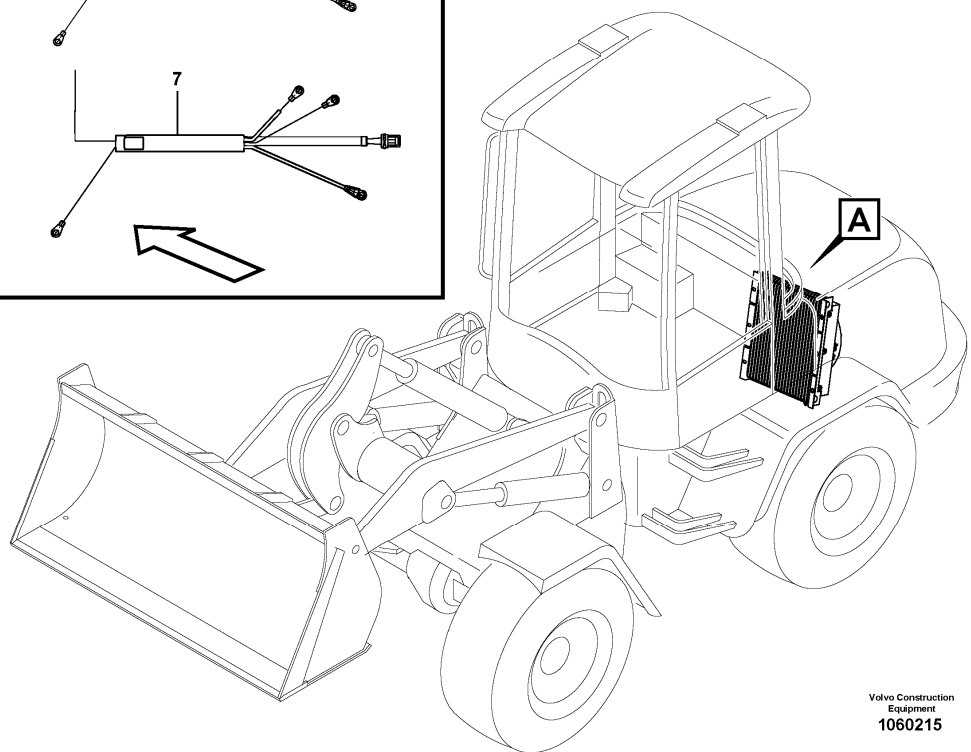
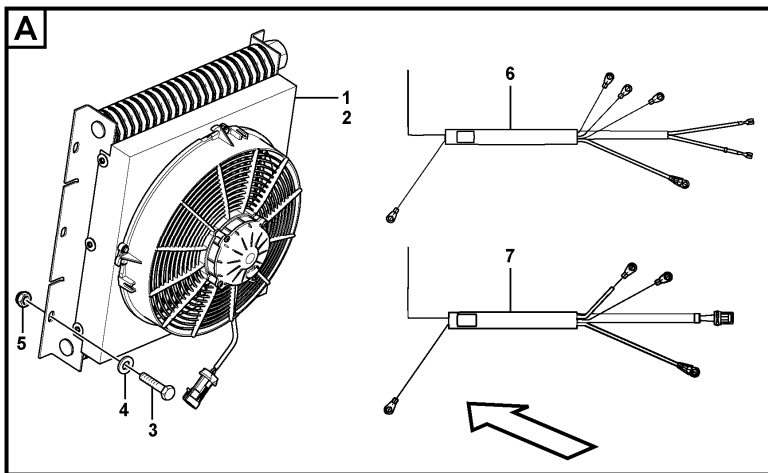


Volvo Construction
Equipment
1009201

Q1-Q5	Option	Option description	
Q1 11306227			
Q2 11308623			
Q3 15211727			

Pos	Part	Q1	Q2	Q3	Q4	Q5	PS	Kit	Description	Option(s)	Remark
1	VOE11370616	1					SS		Oil cooler		
1	VOE15053397		1	1					Oil cooler		
2	ZM2904123	2							Insert pipe		
2	VOE15053786		2	2					Plug		
3	ZM2904121	2	2	2					Screw		
4	VOE11370595	2	2	2					Torque screw		(ZM2904122)

Date: 2013/11/16	Image id: 1060215	Catalogue: 20039	Model: L30B
Brand: Volvo	Serial: 1823000-1829999, 1833000-1839999, 1853000-1859999	Group/Section: 223/200	Title: Engine - oil cooler 15214266

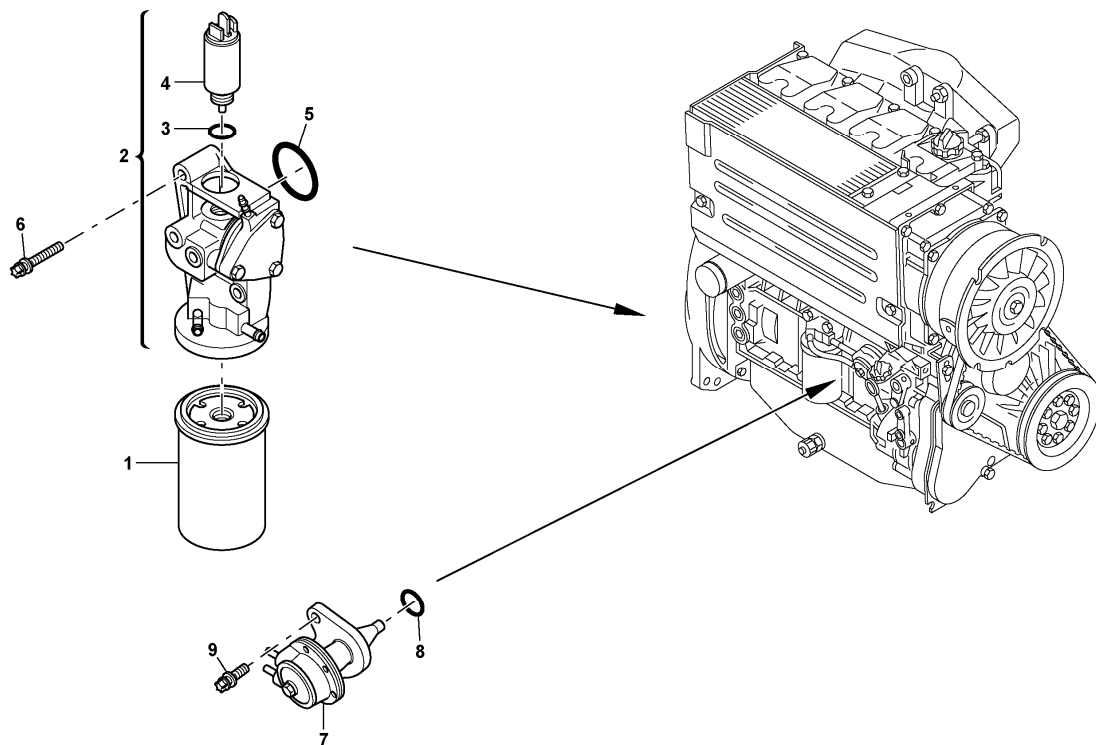


Volvo Construction
Equipment
1060215

Section option	Kit	Option description
VOE15214266		Oil cooler OIL COOLER KIT

Pos	Part	Q1	Q2	Q3	Q4	Q5	PS	Kit	Description	Option(s)	Remark
1	VOE15210041	1							Oil cooler		
2	ZM2810925	1							••Oil cooler		
3	VOE983250	4							••Hexagon screw		
4	VOE960148	8							••Washer		
5	VOE983304	4							••Hexagon nut		
6	VOE2812824	1							••Cable harness		
7	VOE15210178	1							••Cable harness		

Date: 2013/11/16	Image id: 1013949	Catalogue: 20039	Model: L30B
Brand: Volvo	Serial: 1823000-1829999, 1833000-1839999, 1853000-1859999	Group/Section: 233/100	Title: Fuel filter - Feed pump



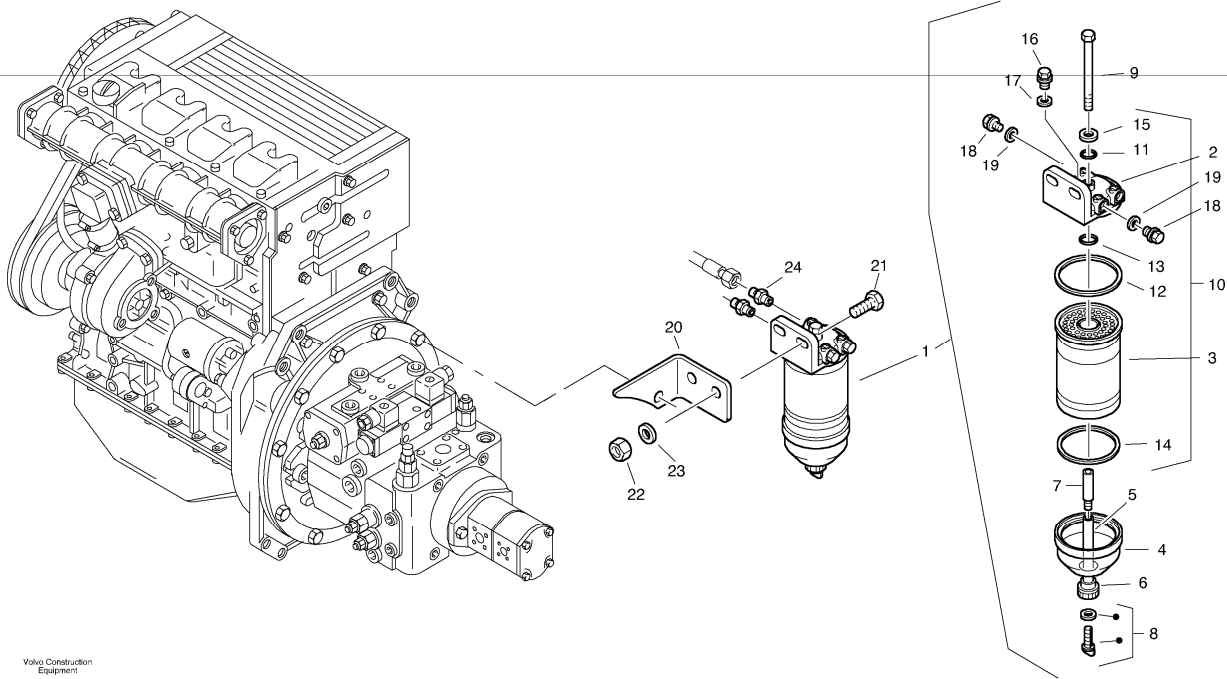
Volvo Construction
Equipment
1013949

Q1-Q5	Option	Option description	
Q1 11306227			
Q2 11308623			
Q3 15211727			

Pos	Part	Q1	Q2	Q3	Q4	Q5	PS	Kit	Description	Option(s)	Remark
1	ZM2905303	1	1	1					Filter		
2	ZM2905387	1							Fuel load stop		
2	VOE15053949		1	1			SS		Sensor		
3	ZM2904200	1	1	1					•O-ring		
4	VOE15185105	1	1	1					•Solenoid		(ZM2905388)
5	ZM2904201	1	1	1					O-ring		
6	ZM2908513	3	3	3					Screw		
7	VOE15199189	1	1	1					Fuel pump		(VOE11716753)

8	ZM2904201	3	3	3					O-ring		
9	ZM2908513	1	1	1					Screw		

Date: 2013/11/16	Image id: 1000961	Catalogue: 20039	Model: L30B
Brand: Volvo	Serial: 1823000-1829999, 1833000-1839999, 1853000-1859999	Group/Section: 233/200	Title: Filter - Water separator



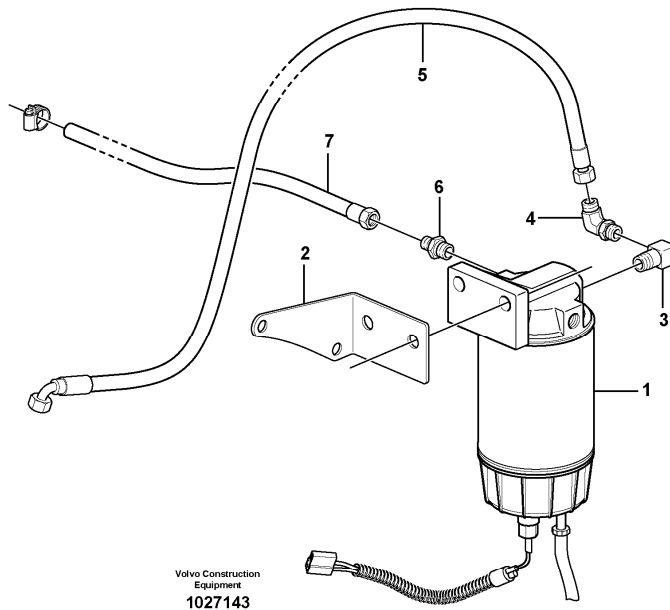
Volvo Construction
Equipment
1000961

Q1-Q5	Option	Option description	
Q1 1823000-			
Q2 1833000-			
Q3 1853000-			

Pos	Part	Q1	Q2	Q3	Q4	Q5	PS	Kit	Description	Option(s)	Remark
1	ZM2807872	1	1	1					Fuel filter		
2	ZM2905307	1	1	1			SS		•Filter head		
3	ZM2905298	1	1	1					•Filter cartridge		
4	ZM2905299	1	1	1					•Sight glass		
5	ZM2905300	1	1	1					•Knurled head screw		
6	VOE7242081	1	1	1					•Washer		(ZM2905301)
7	ZM2905302	1	1	1					•Screw		
8	VOE242595	1	1	1					•Plug		(ZM2905304)
9	ZM2910000	1	1	1					•Screw		
10	ZM2905306	1	1	1					•Gasket set, cpl.		
11	ZM2905308	1	1	1					••O-ring		
12	ZM2905309	1	1	1					••Gasket		
13	ZM2905310	1	1	1					••O-ring		

14	ZM2905311	1	1	1					••Gasket		
15	ZM2905312	1	1	1					••Washer		
16	ZM2905313	1	1	1					•Screw		
17	ZM2164940	1	1	1					•Seal		A10x14
18	ZM7099404	2	2	2					•Lock Plug		AM14x1,5
19	ZM2905314	2	2	2					•Seal		
20	ZM2816411	1	1	1					Retainer		
21	VOE983251	2	2	2					Hexagon screw		(ZM7094813)M10x25
22	VOE983304	2	2	2					Hexagon nut		M10
23	VOE960148	2	2	2					Washer		(ZM7098741)B10,5
24	VOE11306928	2	2	2					Stud		L10MB

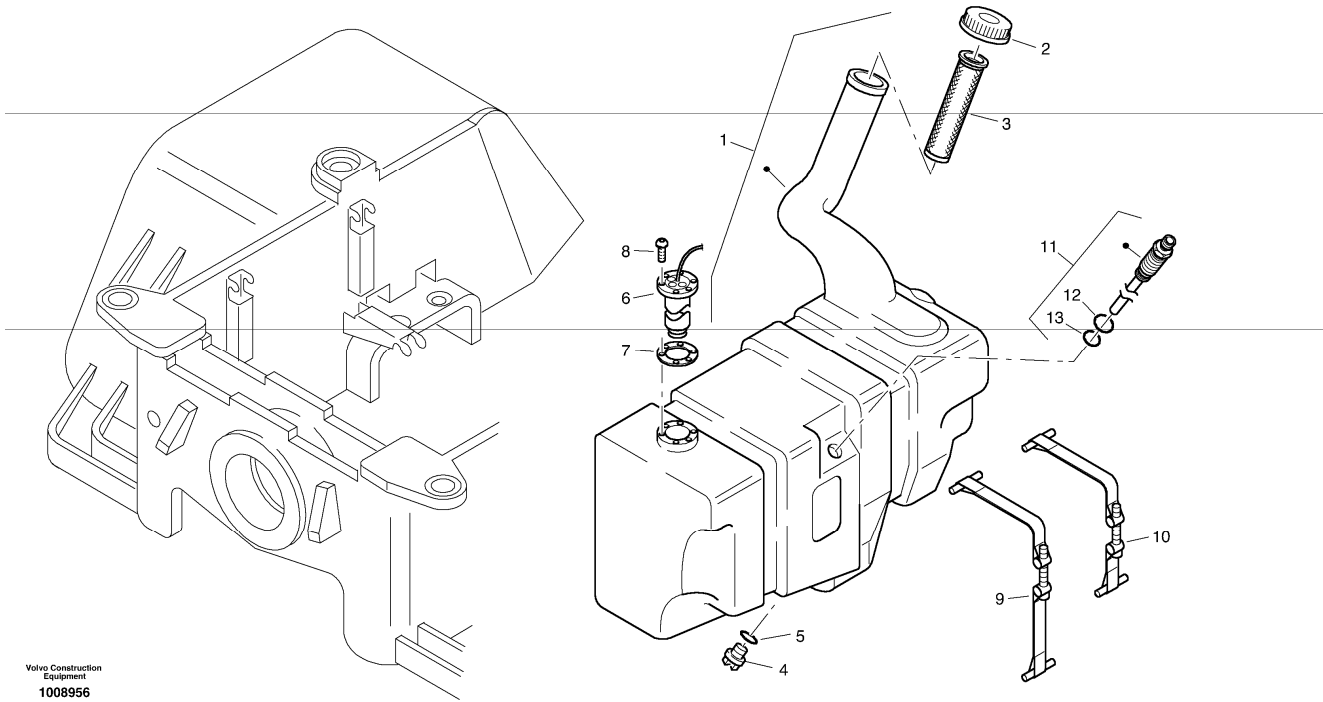
Date: 2013/11/16	Image id: 1027143	Catalogue: 20039	Model: L30B
Brand: Volvo	Serial: 1823000-1829999, 1833000-1839999, 1853000-1859999	Group/Section: 233/250	Title: Fuel heater. 2878995



Section option	Kit	Option description
VOE2878995		Fuel heater

Pos	Part	Q1	Q2	Q3	Q4	Q5	PS	Kit	Description	Option(s)	Remark
1	VOE11306340	1							Water separator		
2	VOE11306014	1							Retainer		
3	VOE11306070	1							Banjo fitting		
4	VOE13945357	1							Elbow nipple		
5		1							Fuel pipe		See ref 235/100
6	VOE11306932	1							Fitting		
7		1							Fuel pipe		See ref 235/100

Date: 2013/11/16	Image id: 1008956	Catalogue: 20039	Model: L30B
Brand: Volvo	Serial: 1823000-1829999, 1833000-1839999, 1853000-1859999	Group/Section: 234/100	Title: Fuel tank

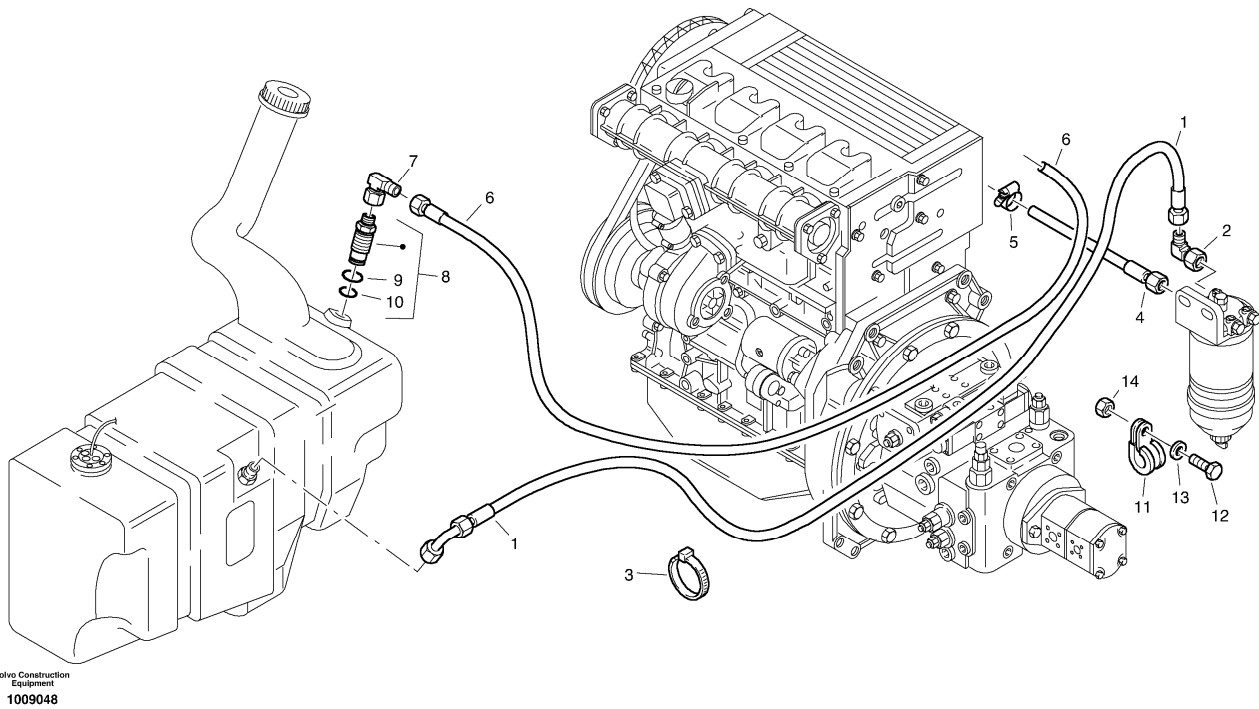


Q1-Q5	Option	Option description	
Q1 1823000-			
Q2 1833000-			
Q3 1853000-			

Pos	Part	Q1	Q2	Q3	Q4	Q5	PS	Kit	Description	Option(s)	Remark
1	VOE11306084	1	1	1					Fuel reservoir		
2	ZM2804113	1	1	1					•Filler cap		
3	ZM2804112	1	1	1					•Fuel strainer		
4	ZM7099428	1	1	1					•Screw plug		M18x1,5
5	ZM1086268	1	1	1					•O-ring		16x3
6	ZM2805649	1							Fuel level sensor		S/N-1826017
	ZM2805649		1						Fuel level sensor		S/N-1836097
	ZM2805649			1					Fuel level sensor		S/N-1856646
6	VOE15209091	1							Level sensor		S/N 1826018-
	VOE15209091		1						Level sensor		S/N 1836098-
	VOE15209091			1					Level sensor		S/N 1856647-
7	ZM2906069	1	1	1					Gasket		
8	VOE11305438	6							Screw		M4x12 S/N-1826017

	VOE11305438		6						Screw		M4x12 S/N-1836097
	VOE11305438			6					Screw		M4x12 S/N-1856646
8	VOE956097	6							Cross screw recessed		M4x30 S/N 1826018-
	VOE956097		6						Cross screw recessed		M4x30 S/N 1836098-
	VOE956097			6					Cross screw recessed		M4x30 S/N 1856647-
9	ZM2811413	1	1	1					Clamp		
10	ZM2811414	1	1	1					Clamp		
11	VOE11306081	1	1	1					Suction pipe		
12	VOE11370540	1	1	1					•O-ring		22x5,5
13	VOE11370541	1	1	1					•O-ring		14x5

Date: 2013/11/16	Image id: 1009048	Catalogue: 20039	Model: L30B
Brand: Volvo	Serial: 1823000-1829999, 1833000-1839999, 1853000-1859999	Group/Section: 235/100	Title: Fuel pipes



Q1-Q5	Option	Option description	
Q1 1823000-			
Q2 1833000-			
Q3 1853000-			

Pos	Part	Q1	Q2	Q3	Q4	Q5	PS	Kit	Description	Option(s)	Remark
1	ZM2814822	1	1	1					Fuel hose		
2	VOE13945357	1	1	1					Elbow nipple		L10
3	VOE4881438	2	2	2					Cable tie		
4	ZM2811483	1	1	1					Fuel hose		
5	VOE943470	1	1	1					Hose clamp		12x9
6	ZM2814635	1	1	1					Fuel hose		
7	VOE13945357	1	1	1					Elbow nipple		
8	VOE11306079	1	1	1					Fitting		
9	VOE11370540	1	1	1					•O-ring		22x5,5
10	VOE11370541	1	1	1					•O-ring		14x5
11	VOE952634	1	1	1					Clamp		
12	VOE13948356	1	1	1					Flange screw		M6x30
13	VOE960139	1	1	1					Washer		B6,4

14	VOE945407	1	1	1					Flange nut		M6
----	-----------	---	---	---	--	--	--	--	------------	--	----



Suggest:

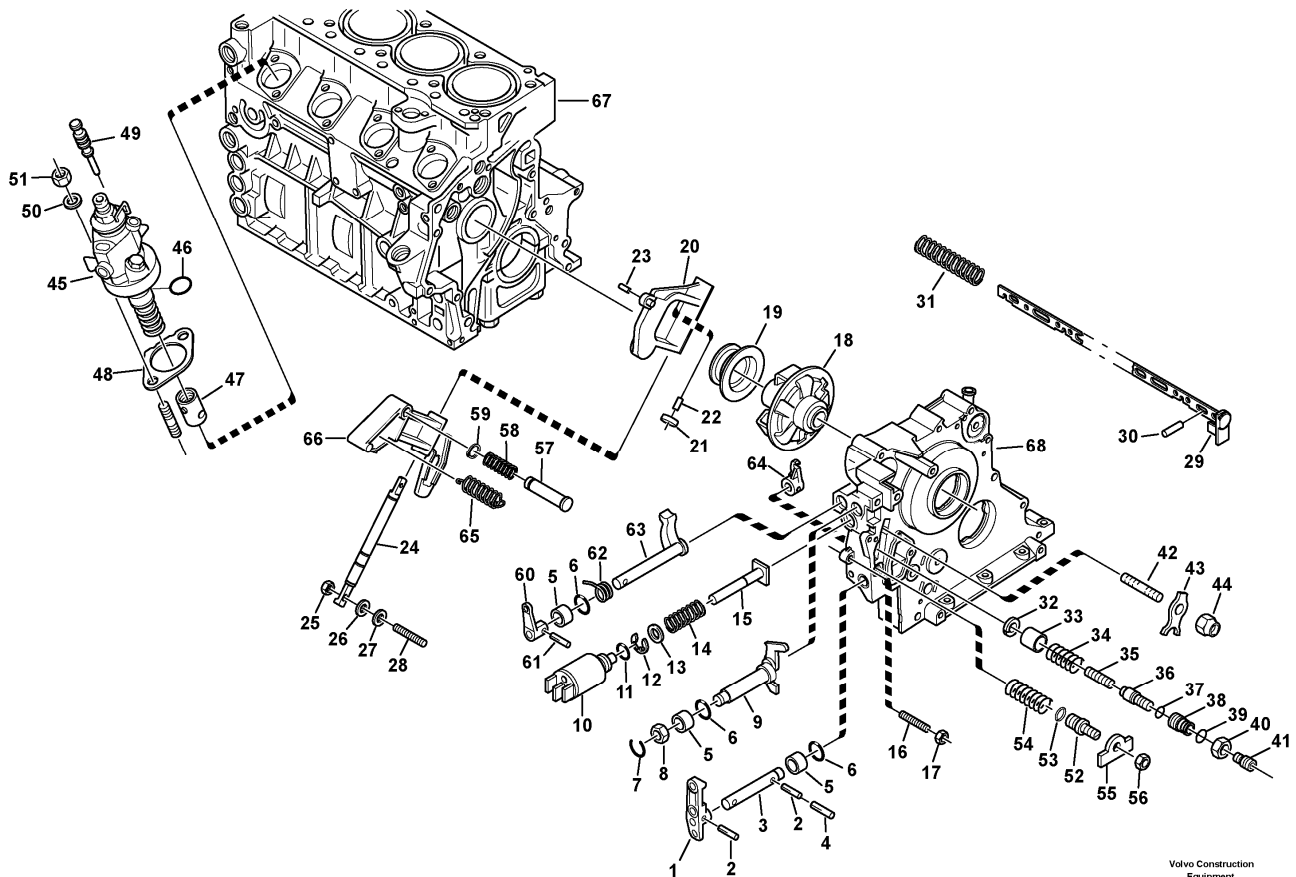
For more complete manuals. Please go to the home page.

<https://www.ebooklibonline.com>

If the above button click is invalid. Please download this document first, and then click the above link to download the complete manual.

Thank you so much for reading

Date: 2013/11/16	Image id: 1032963	Catalogue: 20039	Model: L30B
Brand: Volvo	Serial: 1823000-1829999, 1833000-1839999, 1853000-1859999	Group/Section: 236/100	Title: Speed adjustment - Fuel injection pump



Volvo Construction
Equipment
1032963

Q1-Q5	Option	Option description	
Q1 11306227			
Q2 11308623			
Q3 15211727			

Pos	Part	Q1	Q2	Q3	Q4	Q5	PS	Kit	Description	Option(s)	Remark
1	ZM2904077	1	1	1					Lever		
2	ZM7099461	2	2	2					Clamping pin		
3	VOE11370655	1	1	1					Shaft		
4	VOE11370663	1	1	1					Clamping pin		
5	ZM2292251	3	3	3					Sleeve		
6	ZM2291459	3	3	3					O-ring		
7	VOE11370659	1	1	1					Clampring half		
8	VOE11715979	1	1	1					Lock nut		

9	VOE15047485	1	1	1				Intermediate arm		
10	VOE15185105	1	1	1				Solenoid		(ZM2905388)
11	ZM2904200	1	1	1				O-ring		
12	VOE11370650	1	1	1				Lock washer		
13	ZM4010230	1	1	1				Bracket		
14	VOE11370654	1	1	1				Compression spring		
15	VOE15047481	1	1	1				Drift plate		
16	VOE15051912	1	1	1				Set screw		(ZM2291466)M6X50
17	VOE20460939	2	2	2				Hexagon nut		M6
18	VOE15047487	1	1	1			SS	Centrifugal governor		
19	ZM2904079	1	1	1				Sleeve		
20	VOE15010089	1	1	1				Roller		
21	ZM2904081	2	2	1				Ball bearing		608-2Z
22	VOE11715759	2	2	2				Bolt		A8K6X20
23	ZM7098820	1	1	1				Pin		
24	ZM2904080	1	1	1				Axle		
25	VOE20460939	2	2	2				Hexagon nut		M6
26	ZM2291467	2	2	2				Washer		
27	ZM2291465	2	2	2				Washer		
28	VOE11370223	2	2	2				Stud		
29	VOE15038875	1	1	1				Connecting rod		
30	ZM2904085	1	1	1				Fixed pin		
31	ZM2290471	1	1	1				Pressure spring		
	VOE15053945	1	1	1				Nipple		
32		1	1	1			NS	•Snap Ring		14X1
33		1	1	1			NS	•Stop		
34		1	1	1			NS	•Pressure spring		
35		1	1	1			NS	•Screw		
36		1	1	1			NS	•Screw		
37		1	1	1			NS	•Sealing ring		
38		1	1	1			NS	•Adjusting screw		
39		1	1	1			NS	•Sealing ring		
40		1	1	1			NS	•Nut		
41		1	1	1			NS	•Screw		
42	VOE11370248	1	1	1				Stud		
43	ZM2291472	1	1	1				Claw		
44	VOE11370246	1	1	1				Hexagon nut		
45	VOE11715454	REQ					SS	Injection pump		Class A
45	VOE11716521	REQ						Injection Pump		(VOE11715441)Class B
45	VOE11716522	REQ						Injection Pump		(VOE11715442)Class C
45	VOE11716523	REQ						Injection Pump		(VOE11715443)Class D
45	VOE20944608		REQ	REQ				Fuel pump		CLASS A
45	VOE20944610		REQ	REQ				Fuel pump		CLASS B
45	VOE20944611		REQ	REQ				Fuel pump		CLASS C
45	VOE20944614		REQ	REQ				Fuel pump		CLASS D
46	VOE15168954		1	1				•O-ring		(VOE15053637)

<https://www.ebooklibonline.com>

Hello dear friend!

Thank you very much for reading.

Enter the link into your browser.

The full manual is available for immediate download.

<https://www.ebooklibonline.com>