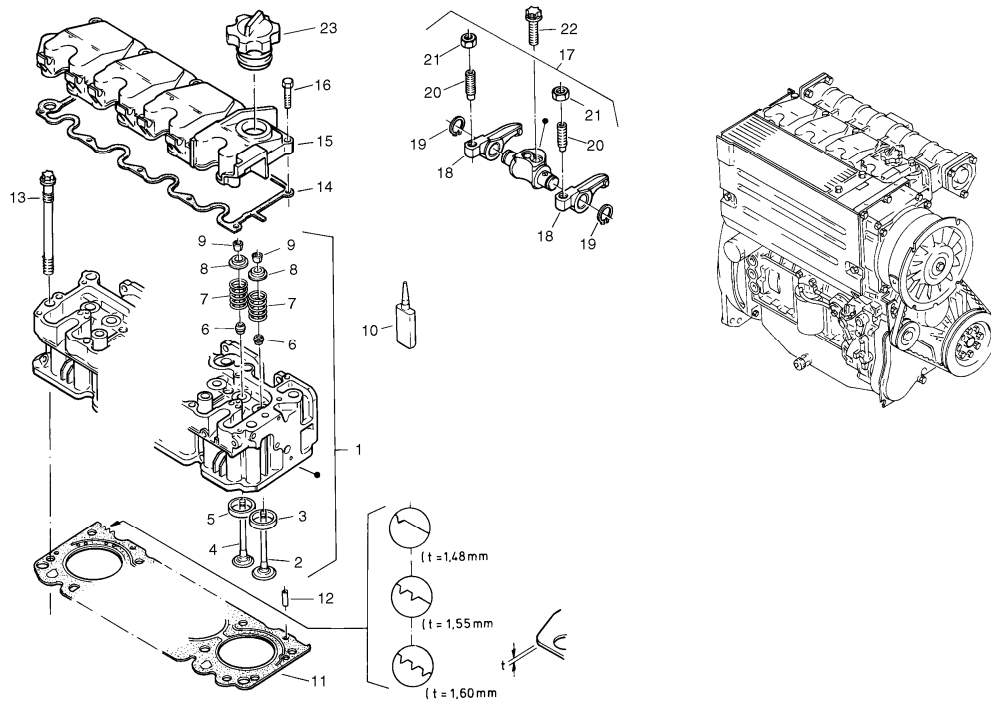


Date: 2013/11/16	Image id: 00000091	Catalogue: 07513	Model: L30
Brand: Volvo	Serial: 1800001-1809999, 1810001-1819999	Group/Section: 211/100	Title: Cylinder head, timing gears



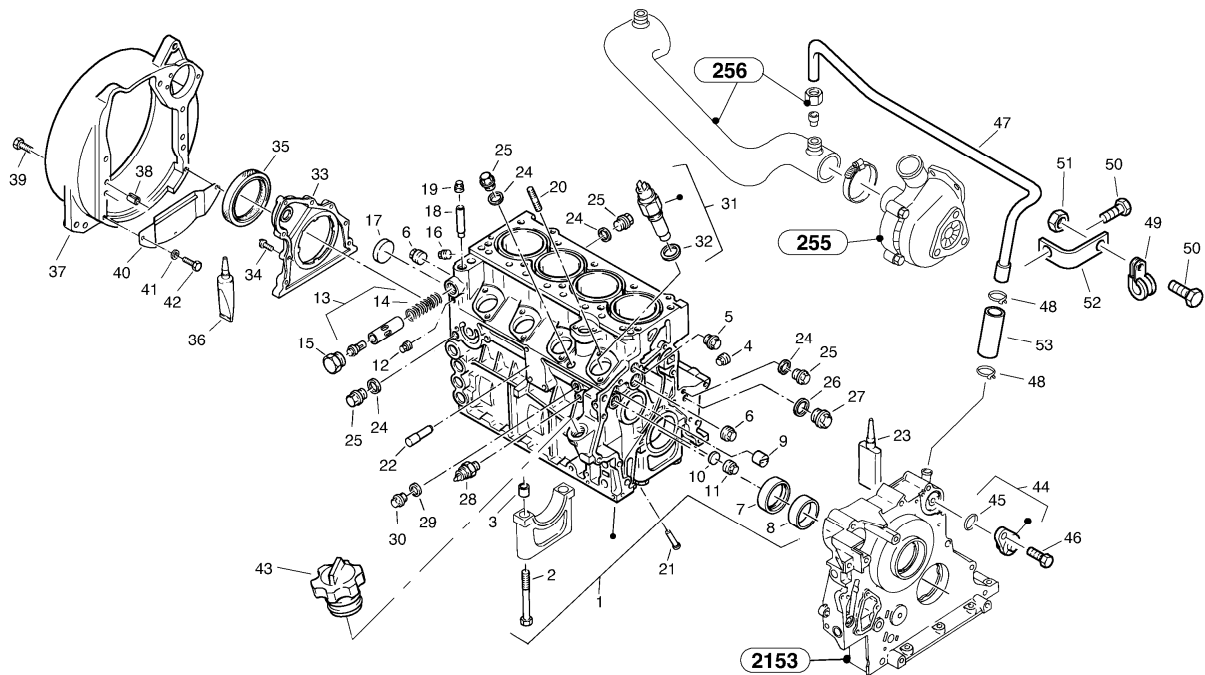
00000091

Q1-Q5	Option	Option description	
Q1 1800001			
Q2 1810001			

Pos	Part	Q1	Q2	Q3	Q4	Q5	PS	Kit	Description	Option(s)	Remark
1	ZM2904181	1	1						Cylinder head		
2	ZM2904183	4	4						••Inlet valve		
3	ZM2904089	4	4				SS		••Valve seat ring		
3	ZM2290534	REQ	REQ						••Valve seat ring		42,87 mm
4	ZM2904090	4	4						••Exhaust Valve		
5	ZM2290500	REQ	REQ						••Valve seat ring		37,27 mm
5	ZM2904182	4	4						••Valve Seat Ring		
6	VOE20459855	8	8						••Valve seal		(ZM2904368)
7	ZM2904091	8	8						••Pressure spring		
8	ZM2290505	8	8						••Spring Disc		
9	VOE20459857	16	16						••Valve sleeve		(ZM2290506)
10	ZM2903912	REQ	REQ				OP		Locking agent		
11	ZM2905355	REQ	REQ						Cylinder head gasket		1,60 mm
11	ZM2905354	REQ	REQ						Cylinder head		1,55 mm

									gasket	
11	ZM2904094	1	1						Cylinder head gasket	1,48 mm
12	VOE21033924	2	2						Guide pin	(ZM2904093)
13	ZM2904092	10	10						Cylinder head screw	
14	ZM2904098	1	1						Gasket	
15	ZM2905356	1	1						Cylinder head cover	
16	VOE11306472	10	10						Hexagon screw	(ZM7095003)M6x30
17	ZM2290529	4	4						Valve rocker support	
18	ZM2290526	2	2						••Rocker Arm	
19	ZM7094952	2	2						••Safety ring	18x1,2
20	ZM2290527	2	2						••Adjusting screw	
21	VOE11700373	2	2						••Nut	(ZM2290528)
22	ZM2292226	8	8				SS		Screw	
23	ZM2904064	1	1						Filler cap	

Date: 2013/11/16	Image id: 00000084	Catalogue: 07513	Model: L30
Brand: Volvo	Serial: 1800001-1809999, 1810001-1819999	Group/Section: 212/100	Title: Engine casing, Ventilation



00000084

Q1-Q5	Option	Option description	
Q1 1800001			
Q2 1810001			

Pos	Part	Q1	Q2	Q3	Q4	Q5	PS	Kit	Description	Option(s)	Remark
1	ZM2904168	1	1				OP		Crankcase, cpl.		
2	ZM2290540	10	10						••Hexagon screw		
3	ZM4010300	10	10						••Bushing		
4	VOE20860215	1	1						••Screw		(ZM2905340)
5	ZM2904050	1	1						••Screw plug		
6	VOE20405717	2	2						••Plug		(ZM2905341)
7	ZM2904048	2	2						••Bearing bush		
8	VOE20795762	3	3						••Bearing Bushing		
9	VOE15053296	2	2						••Guide sleeve		(ZM2290541)
10	ZM8092104	1	1						••Hood		16
11	ZM2905346	1	1						••Screw plug		
12	ZM2905343	1	1						••Screw plug		
13	ZM2904169	1	1						••Thermostat		
14	ZM2904053	1	1						•••Pressure spring		
15	ZM2905345	1	1						••Screw plug		

<https://www.ebooklibonline.com>

Hello dear friend!

Thank you very much for reading.

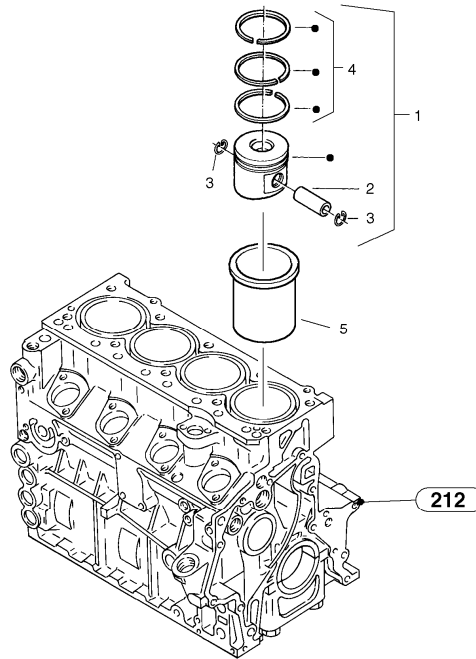
Enter the link into your browser.

The full manual is available for immediate download.

<https://www.ebooklibonline.com>

16	VOE20405718	1	1						••Plug		(ZM2905342)
17	VOE20882154	1	1						••Plug		(ZM7092106)28
18	ZM2904051	1	1						••Tube		
19	ZM2905344	1	1						••Screw plug		
20	ZM8097406	8	8						••Pin screw		
21	ZM2904056	8	8						Piston cooling jet		
22	ZM2904057	1	1						Pin		
23	ZM2904058	REQ	REQ						Locking agent		
24	VOE11700631	4	4						Sealing ring		(ZM7099530)A10x16
25	ZM8099416	4	4						Screw plug		M10x1
26	VOE13947624	1	1						Plane gasket		(ZM7099511)A18x24
27	VOE20405506	1	1						Plug		(ZM8099415)M18x1,5
28	ZM2905379	1	1						Oil pressure switch		
29	VOE13947624	1	1						Plane gasket		(ZM7099511)A18x24
30	VOE11305512	1	1						Lock plug		(ZM7099401)AM18x1,5
31	ZM2904059	1	1						Temperature transmitter		
32	ZM7099503	1	1				SS		••Seal		A14x18
33	ZM2292219	1	1						Cover rear		
34	ZM2290455	8	8						Screw		
35	ZM2292220	1	1						Radial seal		
36	ZM4084070	REQ	REQ						Sealant		
37	ZM2905335	1	1						Intermediate housing		
38	ZM2290547	2	2						Bushing		
39	VOE11306530	4	4						Hexagon screw		(ZM8096638)M12x35
40	ZM2290561	1	1						Cover plate		
41	VOE955892	3	3						Washer		(ZM7098752)B6,4
42	ZM7095067	3	3				SS		Screw		M6x10
43	ZM2904064	1	1						Filler cap		
44	ZM2904065	1	1						Valve		
45	ZM2904066	1	1						••O-ring		
46	ZM7095068	1	1						Screw		M6x25
47	ZM2904170	1	1						Air vent pipe		
48	ZM2290447	2	2						Clamp		
49	ZM2904171	1	1						Clip		
50	ZM2292234	2	2						Screw		
51	ZM2292234	1	1						Screw		
52	ZM2905349	1	1						Retainer		
53	ZM2905248	1	1						Adjusting bush		

Date: 2013/11/16	Image id: 0000088	Catalogue: 07513	Model: L30
Brand: Volvo	Serial: 1800001-1809999, 1810001-1819999	Group/Section: 213/100	Title: Cylinder bush and piston

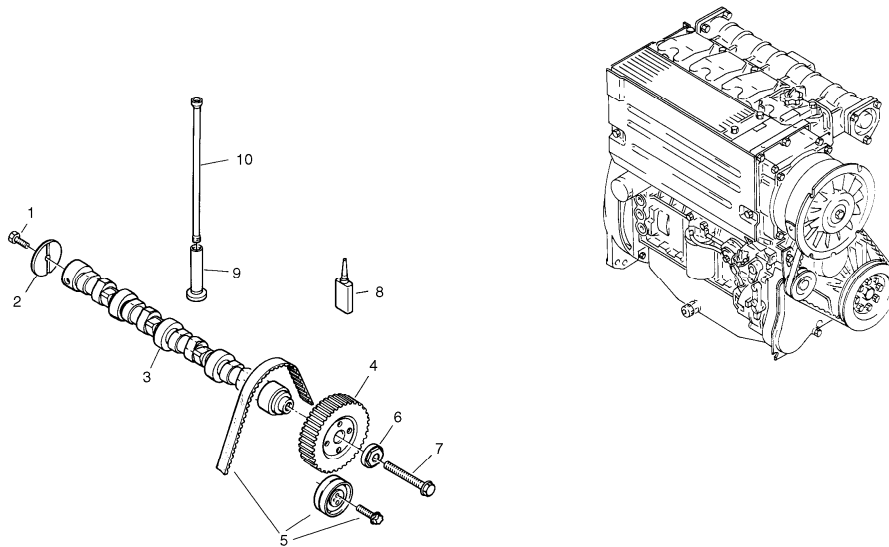


0000088

Q1-Q5	Option	Option description	
Q1 1800001			
Q2 1810001			

Pos	Part	Q1	Q2	Q3	Q4	Q5	PS	Kit	Description	Option(s)	Remark
1	ZM2905352	4	4						Piston, cpl.		
2	VOE11715530	1	1						••Bolt		(ZM2290442)
3	VOE11715531	2	2						••Retaining ring		(ZM2290443)C30x2,0
4	ZM2905353	1	1						••Piston Ring Kit		
5	ZM2905347	REQ	REQ						Cylinder liner		

Date: 2013/11/16	Image id: 0000079	Catalogue: 07513	Model: L30
Brand: Volvo	Serial: 1800001-1809999, 1810001-1819999	Group/Section: 215/100	Title: Camshaft

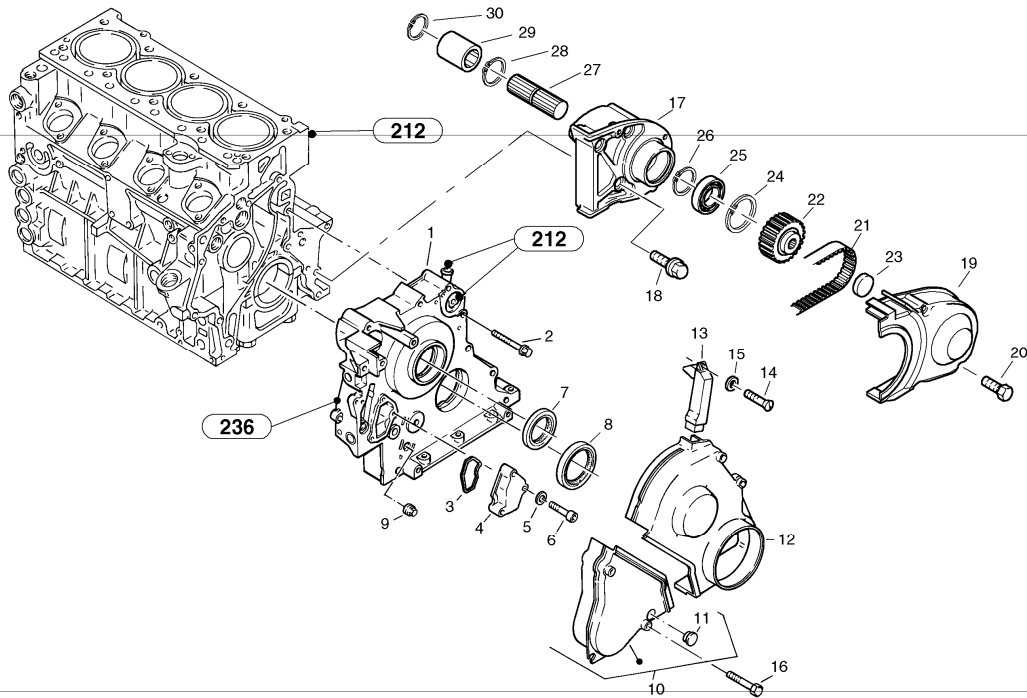


0000079

Q1-Q5	Option	Option description	
Q1 1800001			
Q2 1810001			

Pos	Part	Q1	Q2	Q3	Q4	Q5	PS	Kit	Description	Option(s)	Remark
1	ZM8095503	1	1						Screw		M8x35
2	ZM2290517	1	1						Spacer disc		
3	ZM2905357	1	1						Camshaft		
4	ZM2290519	1	1						Toothed belt wheel		
5	ZM2904890	1	1						Repair kit (toothed belt)		
6	ZM2290522	1	1						Washer		
7	VOE20797281	1	1						Hexagon screw		M14x1,5x110
8	ZM2903828	REQ	REQ					OP	Locking agent		
9	ZM2904101	2	2						Valve tappet		
10	ZM2290524	2	2						Push rod		

Date: 2013/11/16	Image id: 00007701	Catalogue: 07513	Model: L30
Brand: Volvo	Serial: 1800001-1809999, 1810001-1819999	Group/Section: 2153/100	Title: Timing gear housing (front cover) -



00007701

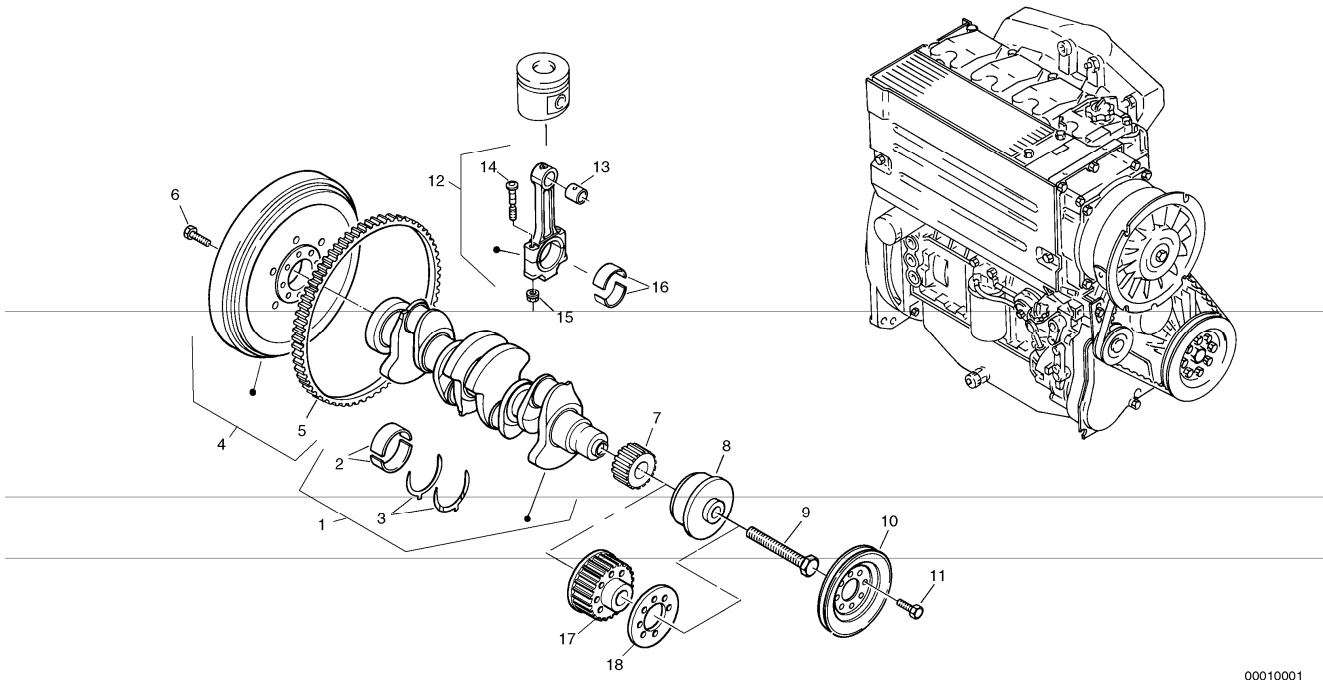
Q1-Q5	Option	Option description	
Q1 1800001			
Q2 1810001			

Pos	Part	Q1	Q2	Q3	Q4	Q5	PS	Kit	Description	Option(s)	Remark
1	ZM2904069	1	1						Front cover		
2	ZM2904100	11	11				SS		Screw		
3	ZM2904068	1	1						Profil gasket		
4	ZM2904070	1	1						Cover		
5	VOE955892	3	3						Washer		(ZM7098752)B6,4
6	ZM7096552	3	3						Screw		M6x35
7	ZM2291470	1	1						Seal		
8	ZM2290458	1	1						Seal		
9	ZM8096511	1	1						Screw plug		M14x1,5
10	ZM2905384	1	1						Protective hood		
10	ZM2290486	1	1						Protective hood		(ZM2908174)See footnote 1375)
11	ZM2904072	1	1						••Plug		
12	ZM2290487	1	1						Protective hood		
12	ZM2905383	1	1						Protecting casing		(ZM2908175)See

										footnote 1375)
13	ZM2900130	1	1				SS		Air duct	
14	ZM2900131	1	1						Screw	M4x12
15	VOE955891	1	1						Washer	(ZM7098754)A4,3
16	VOE955282	4	4						Hexagon screw	(ZM7095114)M6x70
17	ZM2910193	1	1						Conversion kit	(ZM2906900)See footnote 1375)
18	ZM2906901	3	3						Screw	See footnote 1375)
19	ZM2906902	1	1						Protecting casing	See footnote 1375)
20	ZM7095113	2	2						Screw	See footnote 1375)
21	ZM2905399	1	1						Toothed belt	See footnote 1375)
22	ZM2905398	1	1						Pulley	See footnote 1375)
23	ZM2905397	1	1						Cover	See footnote 1375)
24	ZM7094944	1	1						Lock Ring	See footnote 1375) 68x2,5
25	ZM2905396	1	1						Bearing	See footnote 1375)
26	ZM4332271	1	1						Lock Ring	See footnote 1375)
27	ZM2905395	1	1				SS		Toothed shaft	(ZM2908176)See footnote 1375)
28	ZM7094951	1	1						Snap Ring	See footnote 1375) 16x1
29	ZM4076320	1	1						Plate	See footnote 1375)
30	VOE955970	1	1						Retaining ring	(ZM7094953)See footnote 1375) 14x1

1375) only by auxiliary pump

Date: 2013/11/16	Image id: 00010001	Catalogue: 07513	Model: L30
Brand: Volvo	Serial: 1800001-1809999, 1810001-1819999	Group/Section: 216/100	Title: Crankshaft -



00010001

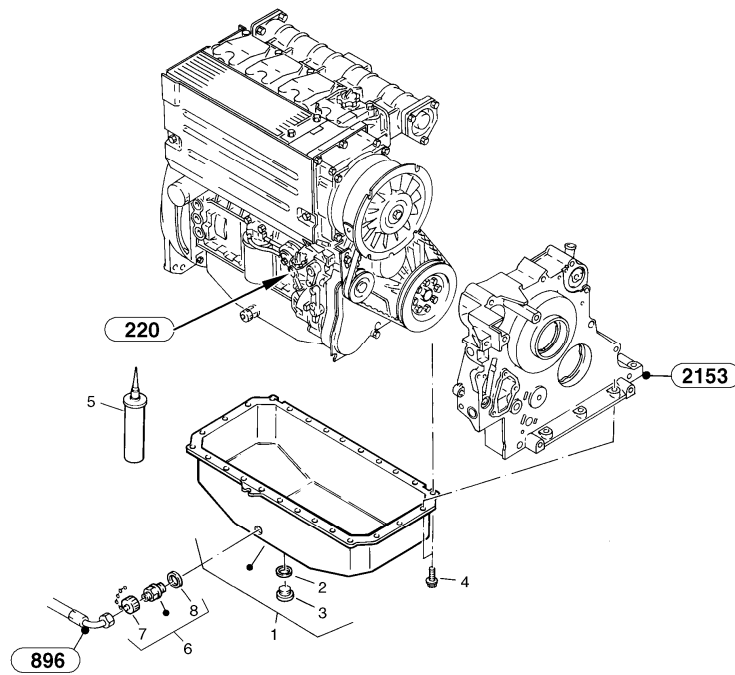
Q1-Q5	Option	Option description	
Q1 1800001			
Q2 1810001			

Pos	Part	Q1	Q2	Q3	Q4	Q5	PS	Kit	Description	Option(s)	Remark
1	ZM2905351	1	1						Crankshaft		
2	ZM2290402	REQ	REQ						••Crankshaft bearing		69,50 mm
2	ZM2900539	REQ	REQ						••Crankshaft bearing		69,75 mm
2	ZM2290400	5	5						••Crankshaft bearing		70,00 mm
3	VOE20944762	1	1						••Thrust Washer		2,40 mm
3	VOE20944769	REQ	REQ						••Thrust Washer		2,60 mm
4	ZM2904103	1	1				SS		Fly wheel		
5	ZM2904104	1	1						••Gear ring		
6	ZM2290407	8	8						Screw		
7	ZM2290408	1	1						Toothed belt wheel		
8	ZM2904102	1	1						Flange		
9	ZM2290411	1	1						Screw		
10	ZM2290429	1	1						Pulley		

11	ZM2908482	8	8						Screw		(ZM2900545)
12	ZM2904174	4	4						Connecting rod		
13	ZM2290431	1	1						••Bushing		33,07 - 33,11 mm
13	ZM2900544	REQ	REQ						••Bushing		33,32 - 33,36 mm
14	ZM2904106	2	2						••Screw		
15	ZM2290415	2	2						••Nut		
16	ZM2900543	REQ	REQ						Big end bearing		54,50 mm
16	ZM2900542	REQ	REQ						Big end bearing		54,75 mm
16	ZM2290432	4	4						Big end bearing		55,00 mm
17	ZM2290409	1	1						Toothed belt wheel		See footnote 1375)
18	ZM2290410	1	1						Intermediate piece		See footnote 1375)

1375) only by auxiliary pump

Date: 2013/11/16	Image id: 00000089	Catalogue: 07513	Model: L30
Brand: Volvo	Serial: 1800001-1809999, 1810001-1819999	Group/Section: 217/100	Title: Oil sump

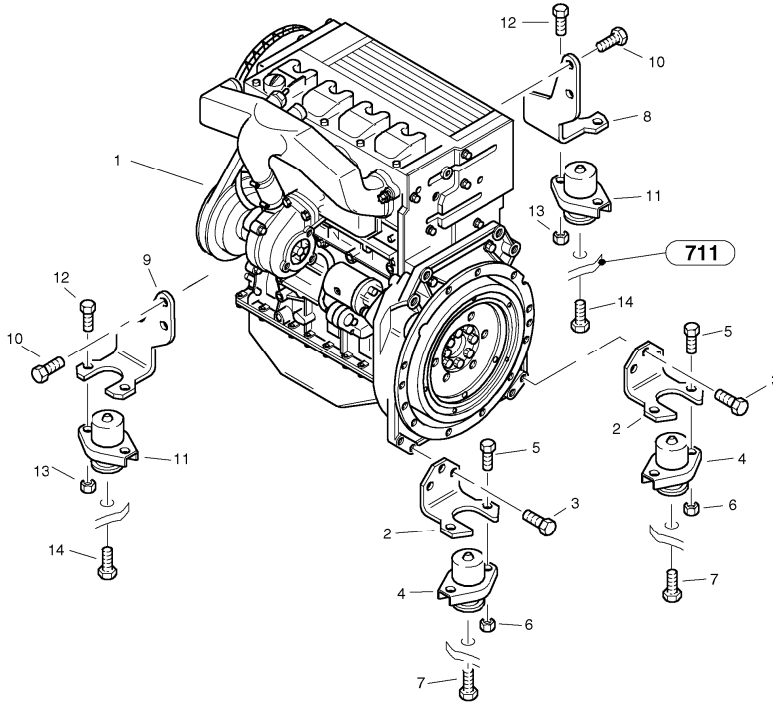


00000089

Q1-Q5	Option	Option description	
Q1 1800001			
Q2 1810001			

Pos	Part	Q1	Q2	Q3	Q4	Q5	PS	Kit	Description	Option(s)	Remark
1	ZM2904060	1	1						Oil pan		
2	VOE13947624	1	1						••Plane gasket		(ZM7099511)A18x24
3	ZM7099428	1	1						••Screw plug		M18x1,5
4	ZM2292234	26	26						Screw		
5	ZM2903926	REQ	REQ						Sealing compound		(ZM2905350)
6	ZM4384256	1	1						Valve		
7	ZM2285689	1	1						••Chain with cap		
8	ZM7099518	1	1						••Seal		C18x24

Date: 2013/11/16	Image id: 00000085	Catalogue: 07513	Model: L30
Brand: Volvo	Serial: 1800001-1809999, 1810001-1819999	Group/Section: 218/100	Title: Engine assy



00000085

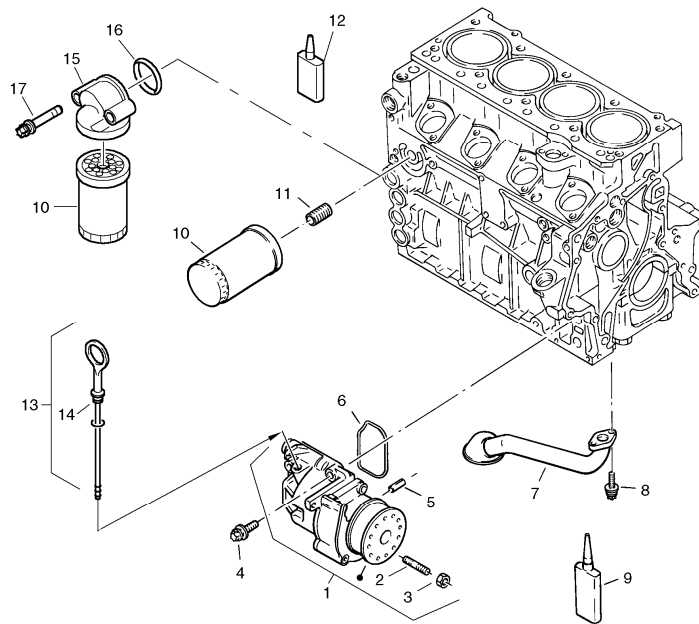
Q1-Q5	Option	Option description	
Q1 1800001			
Q2 1810001			

Pos	Part	Q1	Q2	Q3	Q4	Q5	PS	Kit	Description	Option(s)	Remark
1	ZM2807620	1	1						Engine, cpl.		-1801534/-1810097
1	ZM2814028	1	1						Engine		(ZM2814007) 1801535- / 1810098-
1	ZM2814010	1	1				SS		Engine, cpl.		See footnote 1362)
2	ZM2807295	2	2						Retainer		
3	ZM4326456	2	2				SS		Screw		M14x30
4	VOE11306533	2	2						Buffer		(ZM4381063)
5	VOE983252	4	4						Hexagon screw		(ZM8095900)
6	VOE983304	4	4						Hexagon nut		(ZM8098001)M10
7	VOE978932	2	2						Hexagon screw		(ZM8096639)M12x30
8	ZM2810650	1	1						Retainer		
9	ZM2810649	1	1						Retainer		
10	ZM4326456	4	4				SS		Screw		M14x30
11	VOE11306533	2	2						Buffer		(ZM4381063)
12	VOE983252	4	4						Hexagon screw		(ZM8095900)

13	VOE983304	4	4						Hexagon nut		(ZM8098001)M10
14	VOE978932	2	2						Hexagon screw		(ZM8096639)M12x30

1362) with Engine oil preheating

Date: 2013/11/16	Image id: 00005801	Catalogue: 07513	Model: L30
Brand: Volvo	Serial: 1800001-1809999, 1810001-1819999	Group/Section: 220/100	Title: Oil pump, oil filter



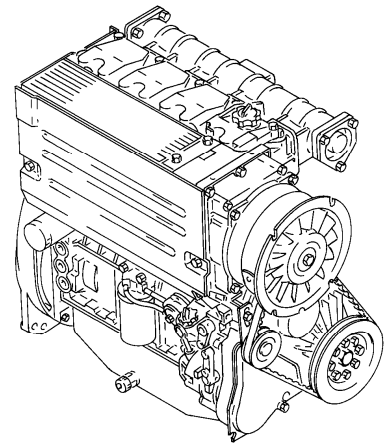
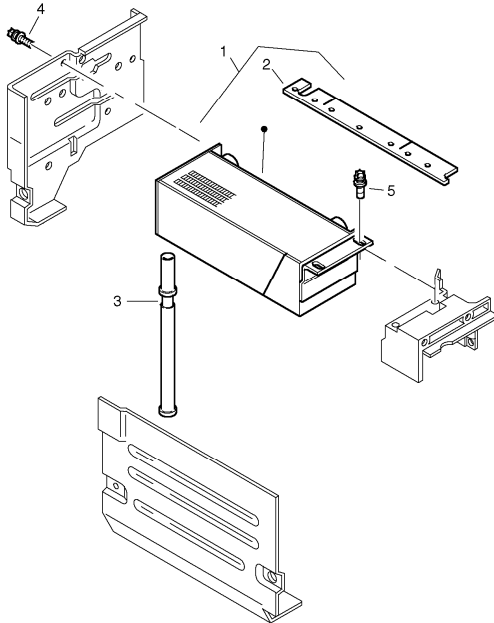
00005801

Q1-Q5	Option	Option description	
Q1 1800001			
Q2 1810001			

Pos	Part	Q1	Q2	Q3	Q4	Q5	PS	Kit	Description	Option(s)	Remark
1	VOE11715526	1	1						Oil pump		(ZM2904116)
2	ZM2290460	1	1				SS		••Bearing spindle		M6x40
3	ZM7098000	1	1						••Nut		M6
4	ZM2904117	4	4						Screw		
5	ZM2904118	2	2						Clamping pin		
6	ZM2904119	1	1						Gasket		
7	VOE11715751	1	1						Oil pipe		(ZM2904124)
8	ZM2904040	2	2				SS		Screw		
9	ZM2903828	REQ	REQ				OP		Locking agent		
10	ZM2904941	1	1						Oil filter		
11	ZM2290250	1	1						Bushing		-1801534 / -1810097
12	VOE20464471	REQ	REQ						Locking fluid		(ZM2903718)
13	ZM2905170	1	1						Oil dipstick		
14	ZM2905171	1	1						••O-ring		
15	ZM2907622	1	1						Bracket		1801535- / 1810098-

16	ZM2907372	1	1					O-ring		1801535- / 1810098-
17	ZM2291482	2	2					Screw		1801535- / 1810098-

Date: 2013/11/16	Image id: 0000059	Catalogue: 07513	Model: L30
Brand: Volvo	Serial: 1800001-1809999, 1810001-1819999	Group/Section: 223/100	Title: Engine - oil cooler

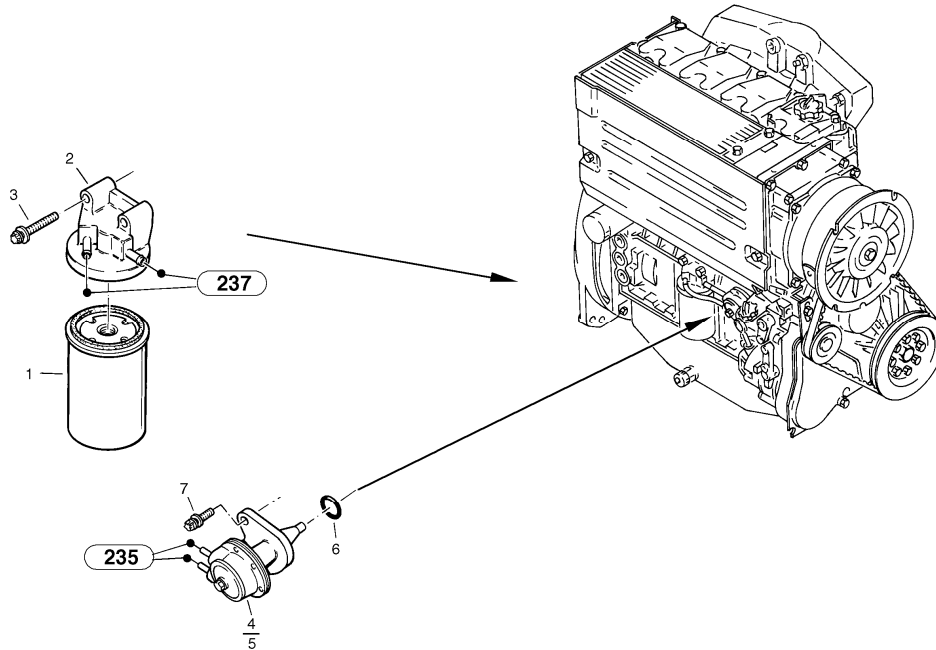


0000059

Q1-Q5	Option	Option description	
Q1 1800001			
Q2 1810001			

Pos	Part	Q1	Q2	Q3	Q4	Q5	PS	Kit	Description	Option(s)	Remark
1	ZM2905358	1	1				SS		Oil cooler		
2	ZM2905359	1	1						••Sealing strip		
3	ZM2904123	2	2						Insert pipe		
4	ZM2904121	2	2						Screw		
5	ZM2901217	2	2						Screw		(ZM2904122)

Date: 2013/11/16	Image id: 00000105	Catalogue: 07513	Model: L30
Brand: Volvo	Serial: 1800001-1809999, 1810001-1819999	Group/Section: 233/100	Title: Fuel filter - Feed pump

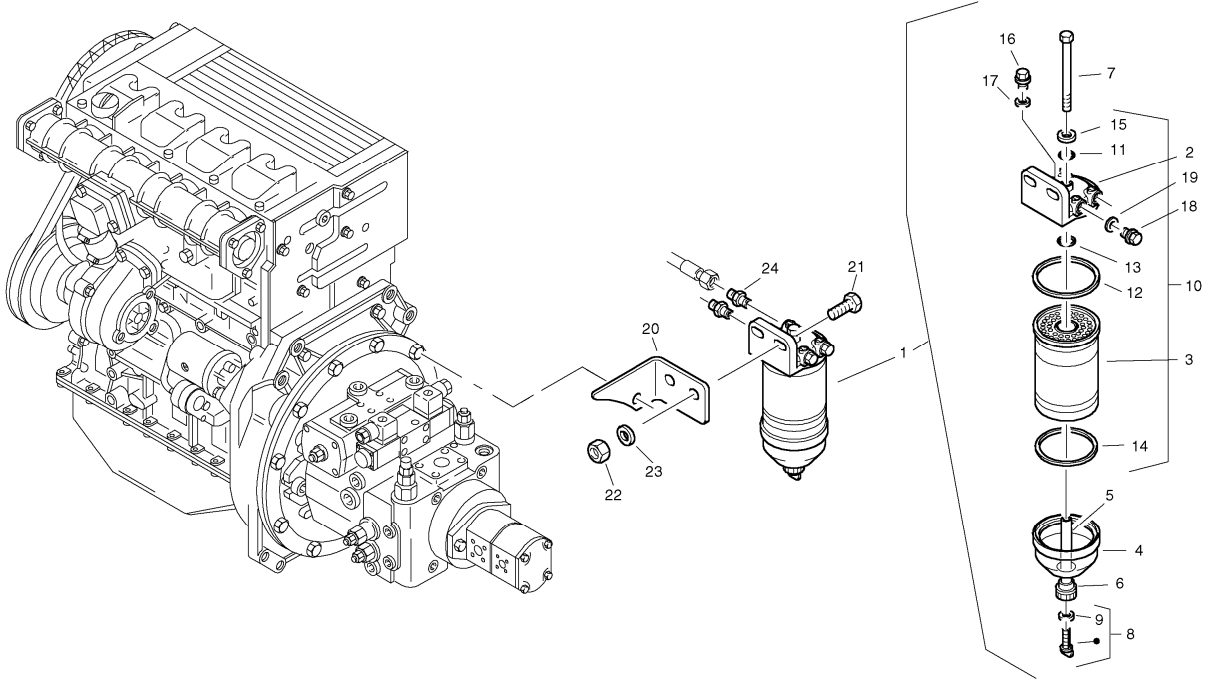


00000105

Q1-Q5	Option	Option description	
Q1 1800001			
Q2 1810001			

Pos	Part	Q1	Q2	Q3	Q4	Q5	PS	Kit	Description	Option(s)	Remark
1	ZM2905303	1	1						Filter		
2	ZM2904125	1	1						Bracket		
3	ZM2291482	2	2						Screw		
4	ZM2904380	1	1						Feed pump		
5	ZM2904381	1	1						Repair kit		
6	ZM2290370	1	1						O-ring		
7	ZM2904137	1	1						Screw		

Date: 2013/11/16	Image id: 00000041	Catalogue: 07513	Model: L30
Brand: Volvo	Serial: 1800001-1809999, 1810001-1819999	Group/Section: 23341/100	Title: Filter - Water separator



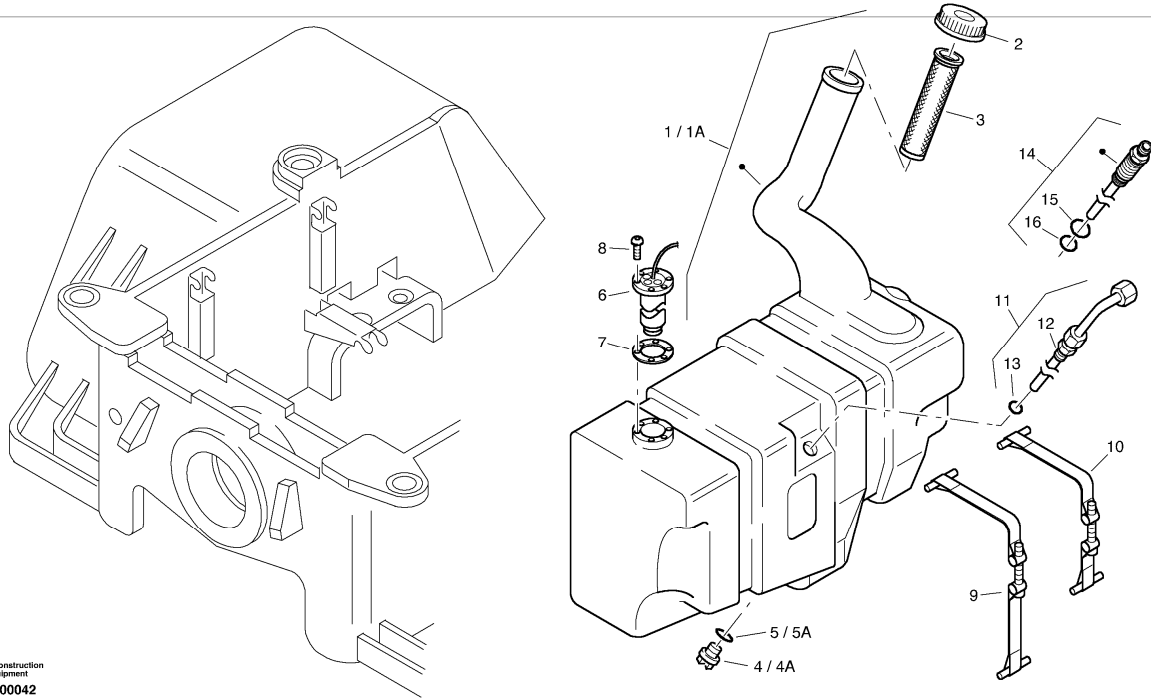
00000041

Q1-Q5	Option	Option description	
Q1 1800001			
Q2 1810001			

Pos	Part	Q1	Q2	Q3	Q4	Q5	PS	Kit	Description	Option(s)	Remark
1	ZM2807872	1	1						Fuel filter		
2	ZM2905307	1	1				SS		••Filter head		
3	ZM2905298	1	1						••Filter cartridge		
4	ZM2905299	1	1						••Sight glass		
5	ZM2905300	1	1						••Knurled head screw		
6	VOE7242081	1	1						••Washer		(ZM2905301)
7	ZM2905302	1	1						••Screw		
8	VOE242595	1	1						••Plug		(ZM2905304)
9	VOE7242081	1	1						•••Washer		(ZM2905305)
10	ZM2905306	1	1						••Gasket set, cpl.		
11	ZM2905308	1	1						•••O-ring		
12	ZM2905309	1	1						•••Gasket		
13	ZM2905310	1	1						•••O-ring		
14	ZM2905311	1	1						•••Gasket		

15	ZM2905312	1	1						•••Washer		
16	ZM2905313	1	1						••Screw		
17	ZM2164940	1	1						••Seal		A10x14
18	ZM7099404	2	2						••Lock Plug		AM14x1,5
19	ZM2905314	2	2						••Seal		
20	ZM2811729	1	1				SS		Holder		
21	VOE983251	2	2						Hexagon screw		(ZM7094813)M10x25
22	VOE983304	2	2						Hexagon nut		(ZM8098001)M10
23	VOE960148	2	2						Washer		(ZM7098741)B10,5
24	ZM7091974	2	2				SS		Nipple		L10MB

Date: 2013/11/16	Image id: 00000042	Catalogue: 07513	Model: L30
Brand: Volvo	Serial: 1800001-1809999, 1810001-1819999	Group/Section: 234/100	Title: Fuel tank



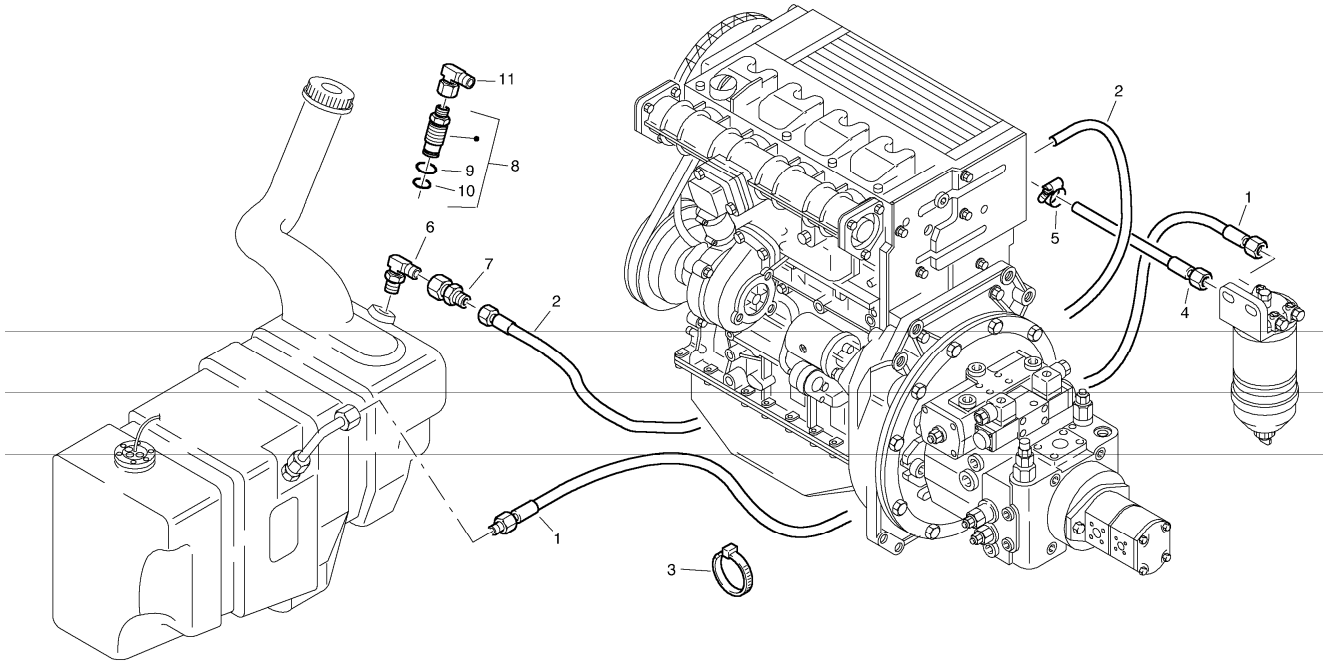
Volvo Construction
Equipment
00000042

Q1-Q5	Option	Option description	
Q1 1800001			
Q2 1810001			

Pos	Part	Q1	Q2	Q3	Q4	Q5	PS	Kit	Description	Option(s)	Remark
1	VOE11370525	1	1						Conversion kit		-1803862, -1812345
1A	VOE11306084	1	1						Fuel reservoir		1803863-, 1812346-
2	ZM2804113	1	1						•Filler cap		
3	ZM2804112	1	1						•Fuel strainer		
4	ZM2807633	1	1						•Plug		
4A	ZM7099428	1	1						•Screw plug		M18x1,5, 1801330-, 1810082-
5	ZM4380412	1	1						•O-ring		17x2,5, -1801329, -1810081
5A	ZM1086268	1	1						•O-ring		16x3, 1801330-, 1810082-
6	ZM2805649	1	1						Fuel level sensor		
7	ZM2906069	1	1						•Gasket		
8	VOE11305438	6	6						Screw		(ZM7096666)M4x12
9	ZM2811413	1	1						Clamp		
10	ZM2811414	1	1						Clamp		

11	VOE15622108	1	1					Suction pipe		(ZM2811730)
12	ZM2811249	1	1					Pipe end		
13	ZM2906070	1	1					•O-ring		13,4x2,1
14	VOE11306081	1	1					Suction pipe		1803863-, 1812346-
15	VOE11370540	1	1					•O-ring		22x5,5
16	VOE11370541	1	1					•O-ring		14x5

Date: 2013/11/16	Image id: 00000043	Catalogue: 07513	Model: L30
Brand: Volvo	Serial: 1800001-1809999, 1810001-1819999	Group/Section: 235/100	Title: Fuel pipes

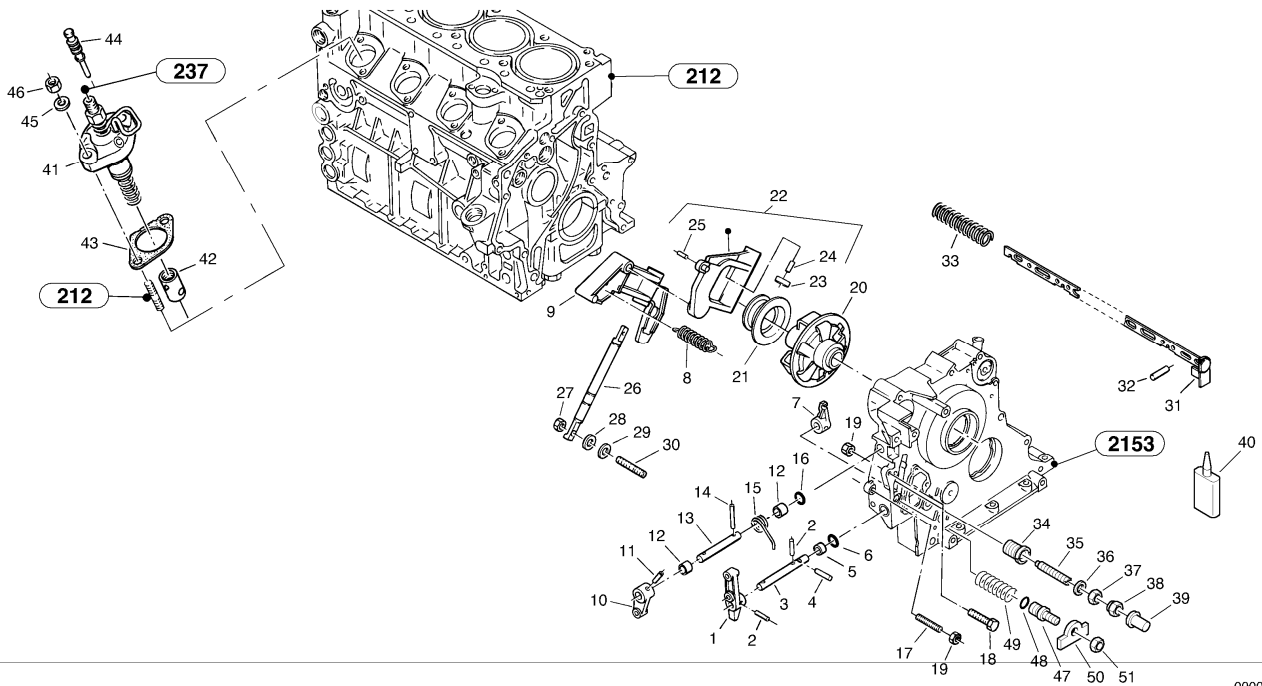


Volvo Construction
Equipment
00000043

Q1-Q5	Option	Option description	
Q1 1800001			
Q2 1810001			

Pos	Part	Q1	Q2	Q3	Q4	Q5	PS	Kit	Description	Option(s)	Remark
1	ZM2811482	1	1						Fuel hose		
2	ZM2811484	1	1						Fuel hose		
3	ZM2193590	2	2						Cable clip		
4	ZM2811483	1	1						Fuel hose		
5	ZM2060781	1	1						Clip		12x9
6	ZM2800658	1	1						Fitting		-1803682, -1812345
7	VOE11307078	1	1						Fitting		(ZM7091432)-1803862, -1812345
8	VOE11306079	1	1						Fitting		1803863-, 1812346-
9	VOE11370540	1	1						•O-ring		22x5,5
10	VOE11370541	1	1						•O-ring		14x5
11	VOE13945357	1	1						Elbow nipple		1803863-, 1812346-

Date: 2013/11/16	Image id: 00000080	Catalogue: 07513	Model: L30
Brand: Volvo	Serial: 1800001-1809999, 1810001-1819999	Group/Section: 236/100	Title: Speed adjustment - Fuel injection pump



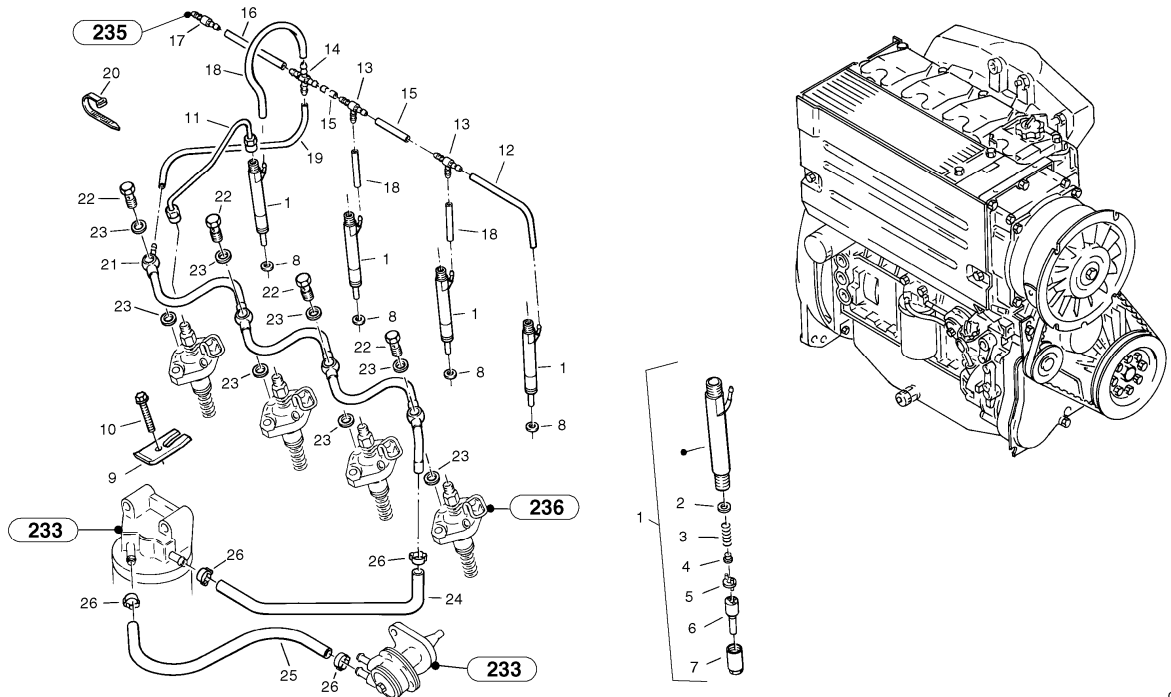
00000080

Q1-Q5	Option	Option description	
Q1 1800001			
Q2 1810001			

Pos	Part	Q1	Q2	Q3	Q4	Q5	PS	Kit	Description	Option(s)	Remark
1	ZM2904077	1	1						Lever		
2	ZM7099461	2	2						Clamping pin		5x20
3	ZM2291460	1	1						Regulator lever shaft		
4	ZM2292257	1	1						Bolt		
5	ZM2292251	1	1						Sleeve		
6	ZM2291459	1	1						O-ring		(ZM2904075)
7	ZM2900507	1	1						Lever		
8	VOE11715758	1	1				SS		Tension spring		(ZM2905368)
9	VOE11370648	1	1						Hand lever		(ZM2904078)
10	ZM2290482	1	1						Stop lever		
11	ZM7099461	1	1						Clamping pin		5x20
12	ZM2292251	2	2						Sleeve		
13	ZM2292255	1	1						Lever shaft		
14	ZM2291481	1	1						Pin		5x45

15	ZM2291464	1	1						Torsion spring		
16	ZM2291459	1	1						O-ring		(ZM2904075)
17	VOE15051912	1	1						Set screw		(ZM2291466)M6x50
18	ZM7095068	1	1						Screw		M6x25
19	ZM7098000	2	2						Nut		M6
20	VOE11370251	1	1						Centrifugal governor		(ZM2904074)
21	ZM2904079	1	1						Sleeve		
22	ZM2904076	1	1				SS		Roller lever		
23	ZM2904081	2	2						••Ball bearing		608-2Z
24	VOE11715759	2	2						••Bolt		(ZM2904082)A8K6x20
25	ZM2904083	1	1						••Pin		A4x8
26	ZM2904080	1	1						Axle		
27	ZM7098000	2	2						Nut		M6
28	ZM2291467	2	2						Washer		
29	ZM2291465	2	2						Washer		
30	VOE11370223	2	2						Stud		(ZM2291463)M6x12
31	ZM2904084	1	1						Control rod		
32	ZM2904085	1	1						Fixed pin		
33	ZM2290471	1	1						Pressure spring		
34	ZM2290459	1	1						Tappet bush		
35	ZM2290460	1	1				SS		Bearing spindle		M6x40
36	ZM2290461	1	1						Sealing ring		
37	ZM7098000	1	1						Nut		M6
38	ZM2290462	1	1						Nut		
39	ZM2290463	1	1				OP		Protec. cap		
40	VOE20464471	REQ	REQ						Locking fluid		(ZM2903718)
41	ZM2904379	4	4						Injection Pump		
42	ZM2901356	4	4						Roller tappet		
43	ZM2904128	4	4						Balancer gasket		0,4 mm
43	ZM2904129	REQ	REQ						Balancer gasket		0,5 mm
43	ZM2904130	REQ	REQ						Balancer gasket		0,6 mm
43	ZM2904131	REQ	REQ						Balancer gasket		0,7 mm
43	ZM2904132	REQ	REQ						Balancer gasket		0,8 mm
43	ZM2904133	REQ	REQ						Balancer gasket		0,9 mm
43	ZM2904134	REQ	REQ						Balancer gasket		1,0 mm
44	ZM2904135	4	4						Plug		
45	VOE20405802	8	8						Washer		(ZM4072470)
46	ZM7098010	8	8						Nut		M8
47	ZM2905364	1					SS		Case		
48	ZM2905365	1	1						O-ring		
49	ZM2905367	1	1						Pressure spring		
50	ZM2905366	1	1						Washer		
51	ZM7098392	1	1						Nut		M6

Date: 2013/11/16	Image id: 00000095	Catalogue: 07513	Model: L30
Brand: Volvo	Serial: 1800001-1809999, 1810001-1819999	Group/Section: 237/100	Title: Injection pipes, Injection valve



00000095

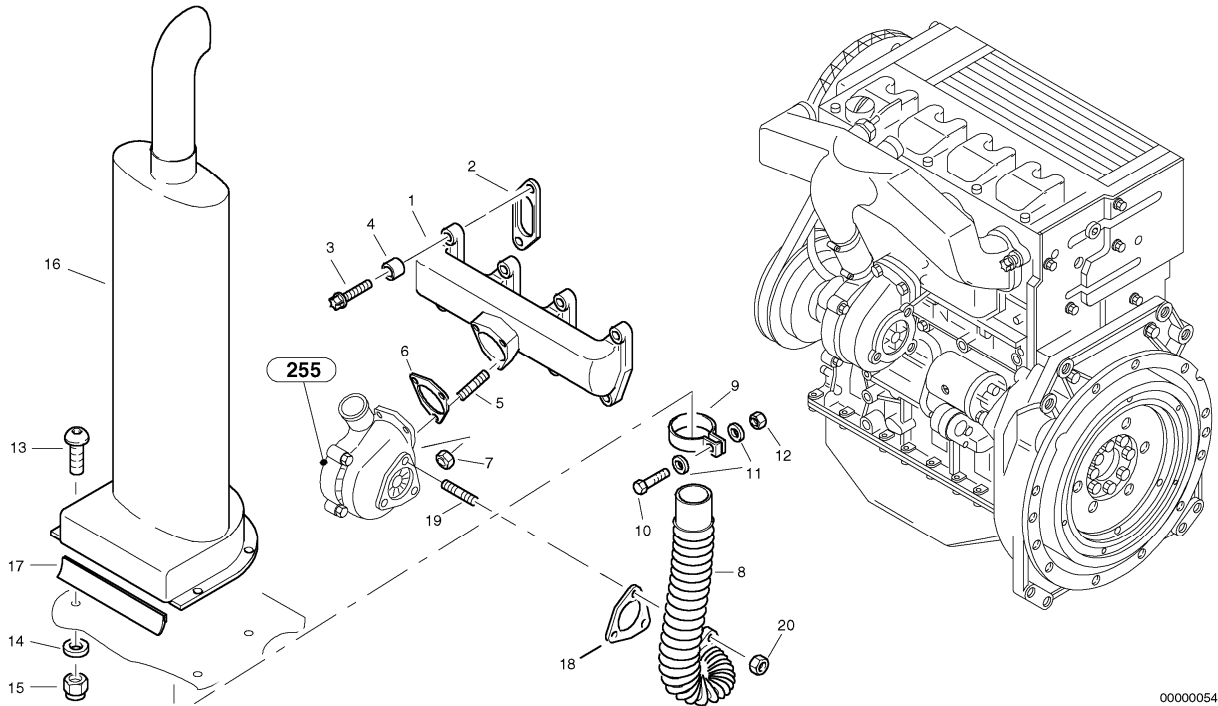
Q1-Q5	Option	Option description	
Q1 1800001			
Q2 1810001			

Pos	Part	Q1	Q2	Q3	Q4	Q5	PS	Kit	Description	Option(s)	Remark
1	ZM2904138	4	4						Injection valve		
2	VOE11705716	1	1						••Shim		(ZM2901179)1,00 mm
2	ZM2901180	REQ	REQ						••Spacer		1,04 mm
2	VOE11705718	REQ	REQ						••Shim		(ZM2901181)1,08 mm
2	ZM2901182	REQ	REQ						••Spacer		1,10 mm
2	ZM2901183	REQ	REQ						••Spacer		1,14 mm
2	ZM2901184	REQ	REQ						••Spacer		1,18 mm
2	VOE11705722	REQ	REQ						••Shim		(ZM2901185)1,20 mm
2	ZM2904144	REQ	REQ						••Spacer		1,22 mm
2	ZM2901186	REQ	REQ						••Spacer		1,24 mm
2	ZM2901187	REQ	REQ						••Spacer		1,28 mm
2	ZM2901188	REQ	REQ						••Spacer		1,30 mm
2	VOE11705726	REQ	REQ						••Shim		(ZM2901189)1,34 mm
2	ZM2901190	REQ	REQ						••Spacer		1,38 mm
2	ZM2901191	REQ	REQ						••Spacer		1,40 mm

2	ZM2901192	REQ	REQ					••Spacer		1,44 mm
2	ZM2901193	REQ	REQ					••Spacer		1,48 mm
2	ZM2901194	REQ	REQ					••Spacer		1,50 mm
2	ZM2901195	REQ	REQ					••Spacer		1,54 mm
2	ZM2901196	REQ	REQ					••Spacer		1,58 mm
2	ZM2901197	REQ	REQ					••Spacer		1,60 mm
2	ZM2901198	REQ	REQ					••Spacer		1,64 mm
2	ZM2901199	REQ	REQ					••Spacer		1,68 mm
2	VOE11705737	REQ	REQ					••Shim		(ZM2901200)1,70 mm
2	ZM2901201	REQ	REQ					••Spacer		1,74 mm
2	ZM2901202	REQ	REQ					••Spacer		1,78 mm
2	ZM2901203	REQ	REQ					••Spacer		1,80 mm
2	VOE11705741	REQ	REQ					••Shim		(ZM2901204)1,84 mm
2	ZM2901205	REQ	REQ					••Spacer		1,88 mm
2	VOE11705743	REQ	REQ					••Shim		(ZM2901206)1,90 mm
2	ZM2901207	REQ	REQ					••Spacer		1,94 mm
2	VOE11700462	REQ	REQ					••Shim		(ZM2901208)1,98 mm
3	ZM2904141	1	1					••Pressure spring		
4	VOE20405525	1	1					••Bolt		
5	VOE11700430	1	1					••Washer		(ZM2904142)
6	ZM2904140	1	1					••Nozzle element		
7	ZM2904143	1	1					••Clamping nut		
8	VOE11700426	4	4					Sealing ring		(ZM2290392)
9	ZM2904139	4	4					Stabilisor		
10	ZM2901217	4	4					Screw		(ZM2904122)
11	ZM2904751	4	4					Injection pipes		
12	ZM2908047	1	1					Leak-off line		(ZM2905337)See footnote 1365)
13	VOE20775904	2	2					Fitting		See footnote 1365)
14	ZM2908047	1	1					Leak-off line		(ZM2906314)See footnote 1365)
15	ZM2908047	2	2					Leak-off line		(ZM2900414)See footnote 1365)
16	ZM2290386	1	1				SS	Hose		See footnote 1365)
17	ZM2290388	1	1					Connecting piece		See footnote 1365)
18	ZM2905361	3	3				SS	Hose		See footnote 1365)
19	ZM2901215	1	1					Hose		See footnote 1365)
20	ZM2905336	1	1					Holder ribbon		
21	ZM2904146	1	1					Fuel pipe		
22	ZM2290272	4	4				SS	Hollow screw		8
23	ZM5138008	8	8					Seal		(ZM7099528)A12x18
24	ZM2908264	1	1					Rubber hose		(ZM2904148)
25	ZM2908264	1	1					Rubber hose		(ZM2290398)
26	VOE20914426	4	4					Hose Clamp		(ZM2904147)

1365) only 2908047 cpl. deliverable

Date: 2013/11/16	Image id: 0000054	Catalogue: 07513	Model: L30
Brand: Volvo	Serial: 1800001-1809999, 1810001-1819999	Group/Section: 252/100	Title: Exhaust system



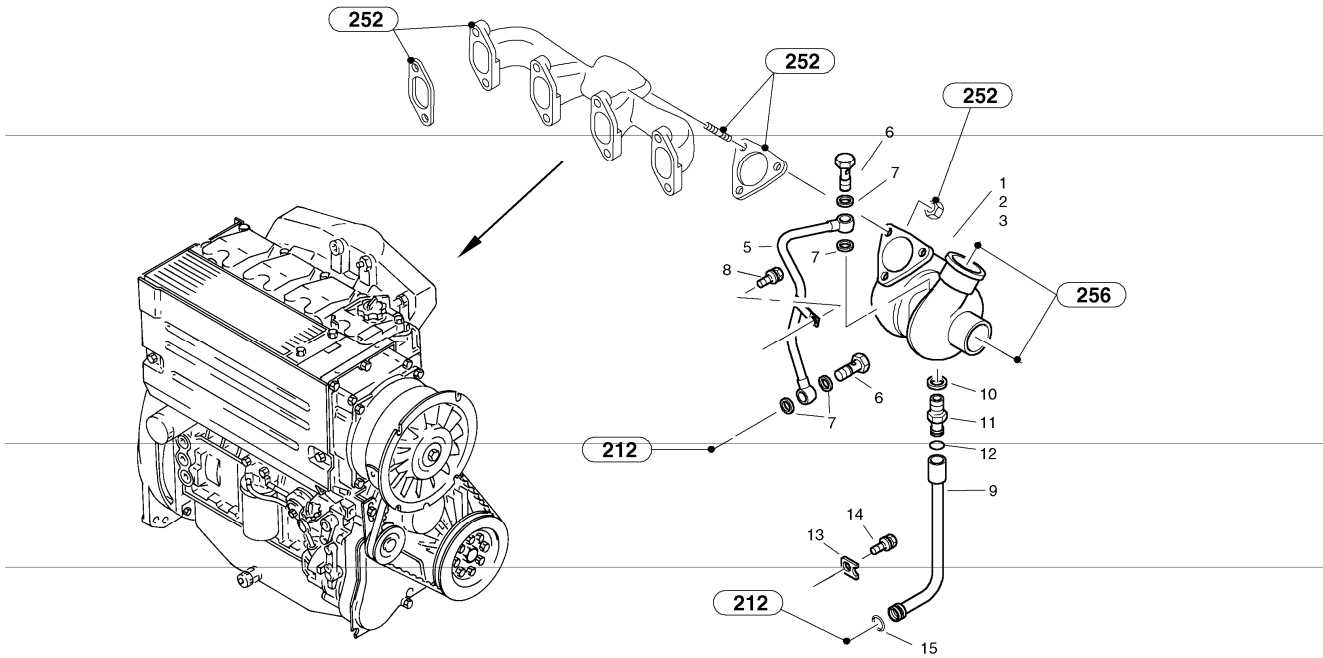
0000054

Q1-Q5	Option	Option description	
Q1 1800001			
Q2 1810001			

Pos	Part	Q1	Q2	Q3	Q4	Q5	PS	Kit	Description	Option(s)	Remark
1	ZM2907513	1	1						Collecting pipe		(ZM2904411)
2	ZM4083910	4	4						Stiffener		
3	VOE20481810	8	8						Screw		(ZM2904037)
4	ZM2904412	8	8						Bushing		
5	VOE20834041	3	3						Stud		M8x20
6	ZM2900459	1	1						Gasket		
7	ZM7098010	3	3						Nut		M8
8	ZM2810937	1	1						Exhaust hose		
9	VOE11306075	1	1						Clamp		(ZM8092911)58,5
10	VOE983244	1	1						Hexagon screw		(ZM7095519)M8x30
11	VOE11305837	2	2						Washer		(ZM7090940)B 8,4
12	ZM7098010	1	1						••Nut		M8
13	ZM2810330	4	4						Screw		M8x20
14	VOE11307559	4	4						Washer		(ZM7099094)B10,5
15	ZM2120430	4	4						Nut		VM10

16	ZM2810936	1	1						Muffler		
17	VOE11306373	1	1						Sealing moulding		(ZM4419055)L = 300MM
18	ZM4083930	1	1						Stiffener		
19	VOE20834041	3	3						Stud		M8x20
20	ZM7098010	3	3						Nut		M8

Date: 2013/11/16	Image id: 00000119	Catalogue: 07513	Model: L30
Brand: Volvo	Serial: 1800001-1809999, 1810001-1819999	Group/Section: 255/100	Title: Exhaust turbo - super charger



00000119

Q1-Q5	Option	Option description	
Q1 1800001			
Q2 1810001			

Pos	Part	Q1	Q2	Q3	Q4	Q5	PS	Kit	Description	Option(s)	Remark
1	ZM2904185	1	1						Exhaust turbo - super cha		
2	ZM2905393	REQ	REQ						Repair Kit		
3	ZM2905394	REQ	REQ				OP		Fuselage group		
5	ZM2904732	1	1						Oil Pipe		
6	ZM2290272	2	2				SS		Hollow screw		8
7	VOE13947282	4	4						Gasket		(ZM7099538)A12x16
8	ZM2904733	1	1						Screw		
9	ZM2904764	1	1						Oil pipe		
10	VOE13947622	1	1						Plane gasket		(ZM7099500)A16x20
11	VOE20459171	1	1						Nipple		(ZM2904766)
12	VOE20459172	1	1						Sealing ring		(ZM2290908)
13	ZM2905360	1	1						Retaining plate		
14	ZM2904733	1	1						Screw		
15	ZM2904191	1	1						O-ring		



Suggest:

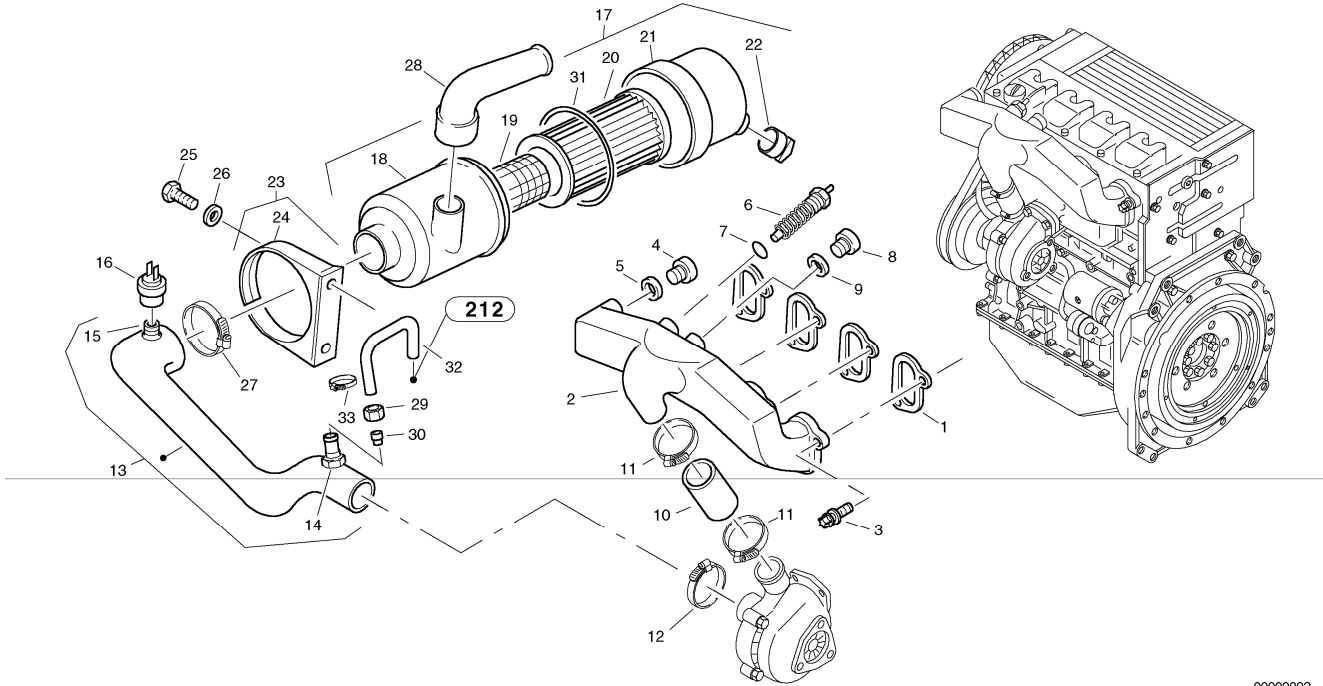
For more complete manuals. Please go to the home page.

<https://www.ebooklibonline.com>

If the above button click is invalid. Please download this document first, and then click the above link to download the complete manual.

Thank you so much for reading

Date: 2013/11/16	Image id: 00000002	Catalogue: 07513	Model: L30
Brand: Volvo	Serial: 1800001-1809999, 1810001-1819999	Group/Section: 256/100	Title: Suction system, filter



00000002

Q1-Q5	Option	Option description	
Q1 1800001			
Q2 1810001			

Pos	Part	Q1	Q2	Q3	Q4	Q5	PS	Kit	Description	Option(s)	Remark
1	ZM2903605	4	4						Gasket		
2	ZM2905362	1	1						Suction pipe		
3	VOE3586624	8	8						Hexagon screw		(ZM2905363)
4	ZM2905386	1	1						Hose assembly		M10x1
5	ZM7099577	1	1				SS		Seal		A10x13,5
6	ZM4065780	1	1						Support		
7	VOE20460026	1	1						Sealing ring		(ZM7099523)A22x27
8	ZM7099424	1	1						Screw plug		M22x1,5
9	VOE20460026	1	1						Sealing ring		(ZM7099523)A22x27
10	ZM4074550	1	1						Hose connection		
11	ZM4084040	2	2						Clamp		
12	ZM2060784	1	1						Clip		AS50-70
13	ZM2910185	1							Hose		(ZM2811481)
13	ZM2817353		1						Suction hose		(ZM2813362)See footnote 1344)

14	ZM2804521	1							••Instrument		
14	ZM2815843		1						••Hose kit		See footnote 1344)
15	ZM2906058	1	1						••Nipple		
16	ZM2815506	1	1						Warning switch		
17	ZM2804861	1	1				SS		Air filter, cpl.		-1800885 / -1810059
17	ZM2811086	1	1						Air filter		1800886- / 1810060-
18	ZM2903847	1	1						••Upper part		-1800885 / -1810059
19	ZM2903850	1	1						••Insert		
20	ZM2903849	1	1						••Micro-Top- Cartouche		
21	ZM2903846	1	1						••Under part		
21	ZM2907907	1	1						••Under part		180 0886?/ 181 0060?
22	ZM2061390	1	1						••Dust discharge valve		
23	ZM2804863	1	1						Retainer		
25	VOE14370277	2	2						Hexagon screw		(ZM7095324)M8x40
26	VOE11305837	2	2						Washer		(ZM7090940)B 8,4
27	ZM2060785	1	1						Clip		AS70-90
28	ZM2808883	1	1						Exhaust pipe		
29	ZM7092960	1	1						Nut		AL12
30	ZM7092970	1	1						Ferrule		L12
31	ZM2907908	1	1						Ring		1800886- / 1810060-
32	ZM2813363		1						Air vent hose		See footnote 1344)
33	ZM2060782		2						Clip		See footnote 1344) AS20-32

1344) o)1 = for version 180 0 001 with Air cond.

<https://www.ebooklibonline.com>

Hello dear friend!

Thank you very much for reading.

Enter the link into your browser.

The full manual is available for immediate download.

<https://www.ebooklibonline.com>