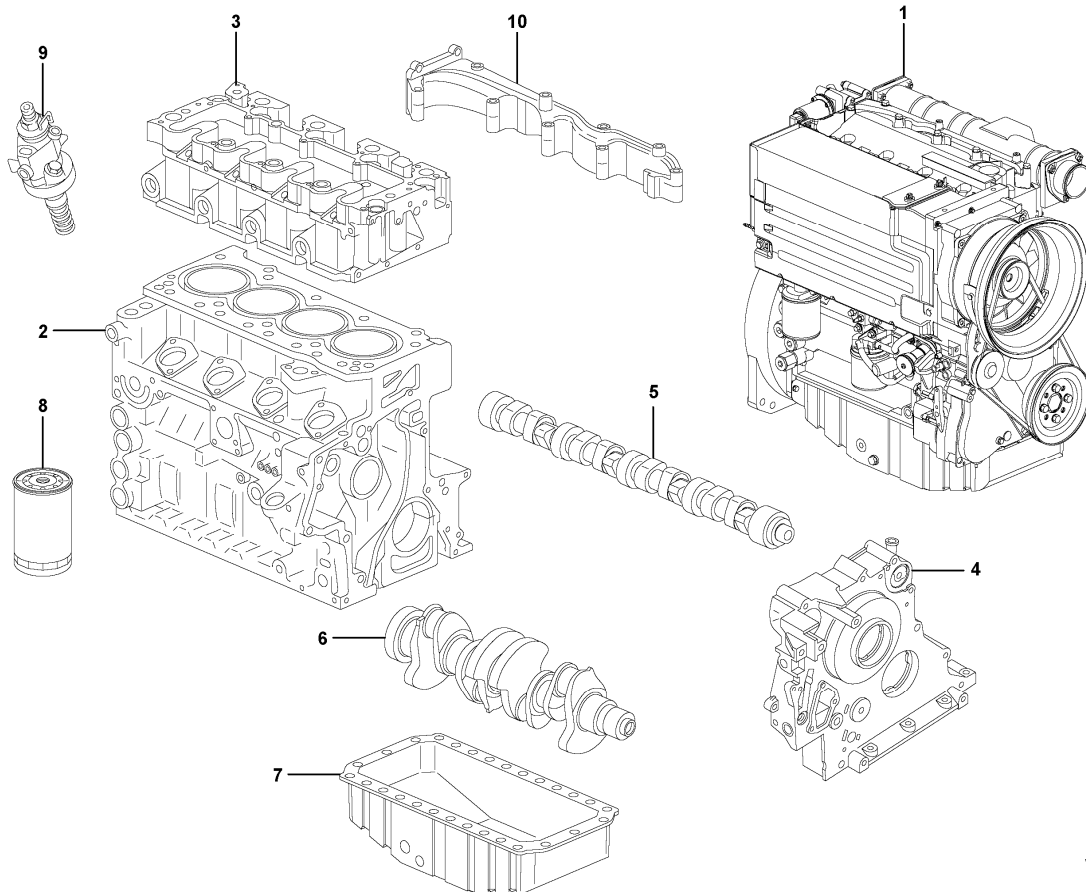


Date: 2013/11/5	Image id: 1056598	Catalogue: 20577	Model: L25F
Brand: Volvo	Serial: 1755001-	Group/Section: 210/100	Title: Engine

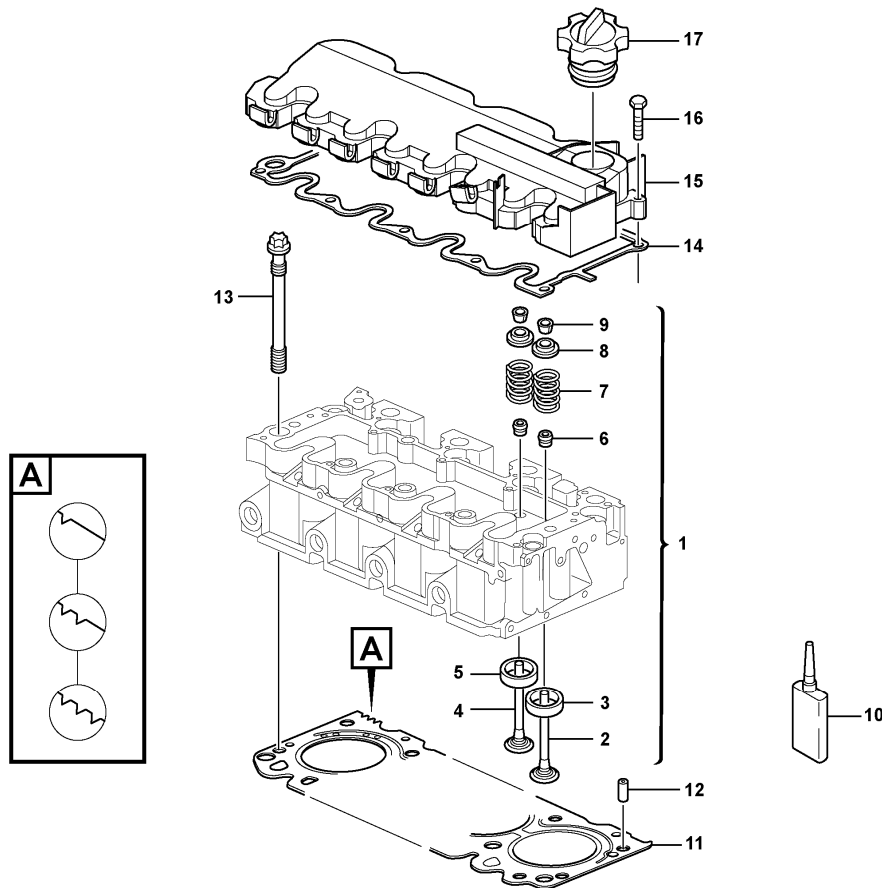


Volvo Construction
Equipment
1056598

Section option	Kit	Option description
VOE15211726		Engine L25F

Pos	Part	Q1	Q2	Q3	Q4	Q5	PS	Kit	Description	Option(s)	Remark
1	VOE15211726	1							Engine		
2		1							•Cylinder block		See ref 212/100
3		1							•Cylinder head		See ref 211/100
4		1							•Timing gear casing		See ref 215/200
5		1							•Camshaft		See ref 215/100
6		1							•Crankshaft		See ref 216/100
7		1							•Oil sump		See ref 217/100
8		1							•Oil Filter		See ref 222/100
9		1							•Injector		See ref 236/100
10		1							•Inlet, exhaust syst.		See ref 251/100

Date: 2013/11/5	Image id: 1056377	Catalogue: 20577	Model: L25F
Brand: Volvo	Serial: 1755001-	Group/Section: 211/100	Title: Cylinder head



Volvo Construction
Equipment
1056377

Section option	Kit	Option description
VOE15211726		Engine L25F

Pos	Part	Q1	Q2	Q3	Q4	Q5	PS	Kit	Description	Option(s)	Remark
1	VOE15052804	1							Cylinder head		
2	ZM2908491	4							•Inlet valve		
3	VOE15052903	4							•Valve seat		
4	ZM2908492	4							•Exhaust Valve		
5	VOE15052901	4							•Valve seat		
6	VOE20459855	8							•Valve seal		(ZM2904368)
7	ZM2904091	8							•Pressure spring		
8	VOE15053220	8							•Washer		
9	VOE20459857	16							•Valve sleeve		
10	ZM2903912	REQ					OP		Locking agent		
11	VOE15052907	REQ							Cylinder head gasket		

11	VOE15052909	REQ							Cylinder head gasket		
11	VOE15052899	REQ							Cylinder head gasket		
12	VOE21033924	2							Guide pin		(ZM2904093)
13	ZM2904092	10							Cylinder head screw		
14	VOE15153288	1							Gasket		
15	VOE11370139	1							Valve cover		
16	ZM2908485	10							Screw		M6X30
17	ZM2904064	1							Filler cap		

<https://www.ebooklibonline.com>

Hello dear friend!

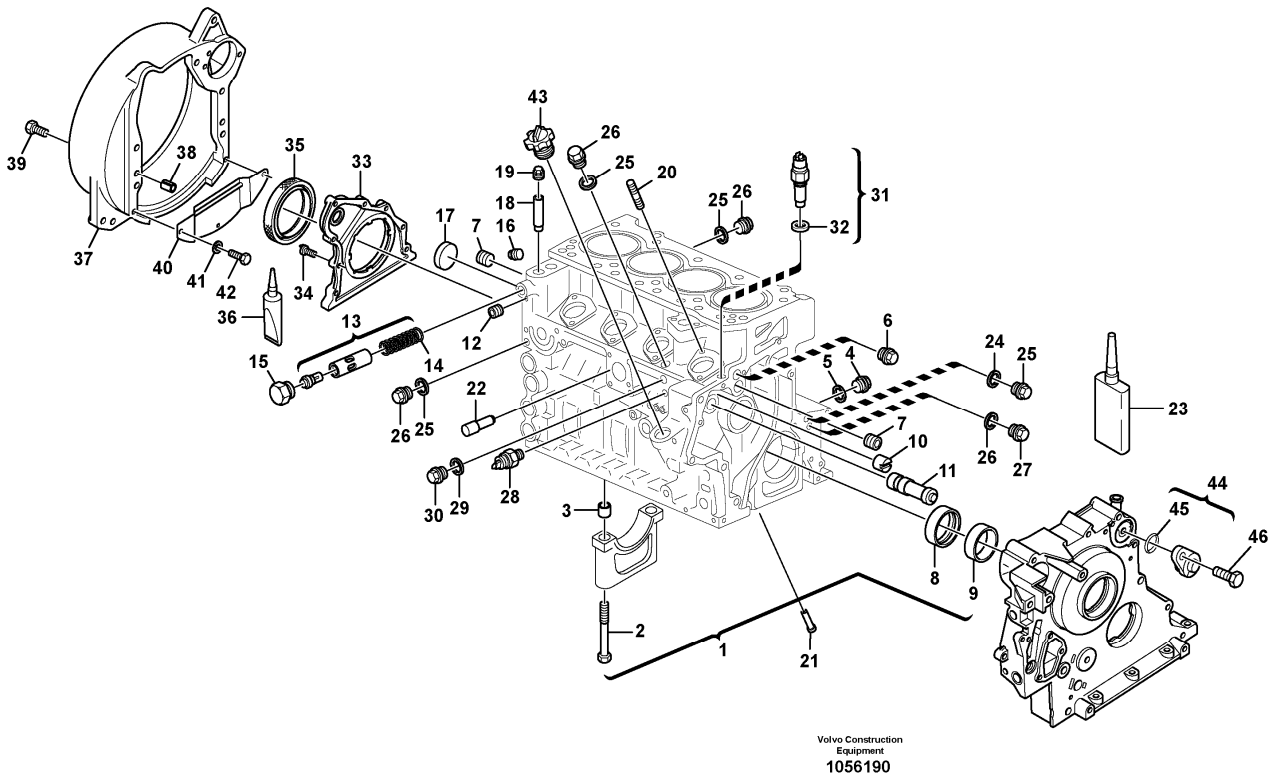
Thank you very much for reading.

Enter the link into your browser.

The full manual is available for immediate download.

<https://www.ebooklibonline.com>

Date: 2013/11/5	Image id: 1056190	Catalogue: 20577	Model: L25F
Brand: Volvo	Serial: 1755001-	Group/Section: 212/100	Title: Engine housing

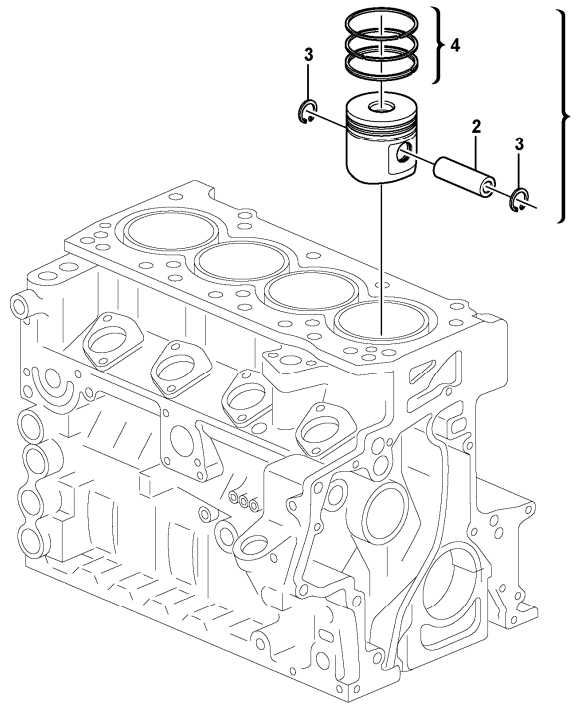


Section option	Kit	Option description
VOE15211726		Engine L25F

Pos	Part	Q1	Q2	Q3	Q4	Q5	PS	Kit	Description	Option(s)	Remark
1	VOE15075766	1							Block		
2	ZM2290540	8							•Hexagon screw		
3	ZM4010300	8							•Bushing		
4	VOE20459941	1							•Plug		
5	VOE20460061	1							•Sealing ring		
6	ZM2904050	1							•Screw plug		
7	ZM2908480	2							•Screw plug		
8	ZM2904048	2							•Bearing bush		
9	VOE20795762	3							•Bearing Bushing		
10	VOE15053296	2							•Guide sleeve		
11	VOE15053810	1							•Plug		
12	VOE2905340	1							•Screw plug		

13	ZM2904169	1							•Thermostat		
14	ZM2904053	1							••Pressure spring		
15	ZM2905345	1							•Screw plug		
16	ZM20405718	1							•Screw plug		
17	VOE11370179	1							•Cover		
18	ZM2904051	1							•Tube		
19	ZM2905344	1							•Screw plug		
20	VOE11715739	8							•Stud		
21	ZM2904056	8							•Piston cooling jet		
22	ZM2904057	1							•Pin		
23	ZM2903912	REQ					OP		Locking agent		
24	VOE11700631	4							Sealing ring		
25	VOE960628	4							Plug		
26	VOE13947624	1							Plane gasket		
27	VOE20405506	1							Plug		
28	ZM2905379	1							Oil pressure switch		
29	VOE13947624	1							Plane gasket		
30	VOE20799217	1							Plug		
31	VOE15054496	1							Sensor		
32	VOE15051423	1							•Sealing ring		
33	VOE11715813	1							Cover		
34	ZM2290455	8							Screw		M8x30
35	ZM2292220	1							Radial seal		
36	ZM4084070	REQ							Sealant		
37	ZM2905335	1							Intermediate housing		
38	ZM2290547	2							Bushing		
39	VOE20554683	4							Screw		
40	ZM2290561	1							Cover plate		
41	VOE973494	3							Washer		(VOE20459183)
42	VOE20459986	3							Screw		
43	ZM2904064	1							Filler cap		
44	ZM2904065	1							Valve		
45	ZM2904066	1							•O-ring		
46	VOE11370258	1							Hexagon screw		

Date: 2013/11/5	Image id: 1056226	Catalogue: 20577	Model: L25F
Brand: Volvo	Serial: 1755001-	Group/Section: 213/100	Title: Piston

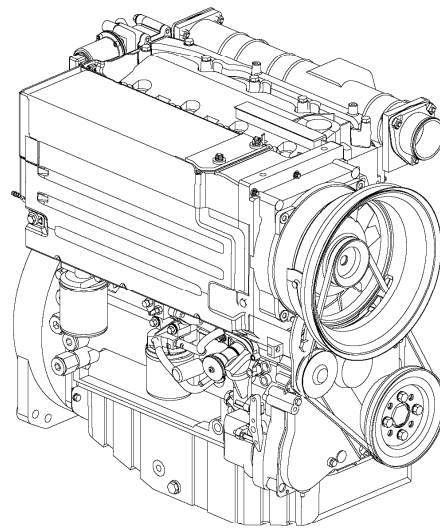
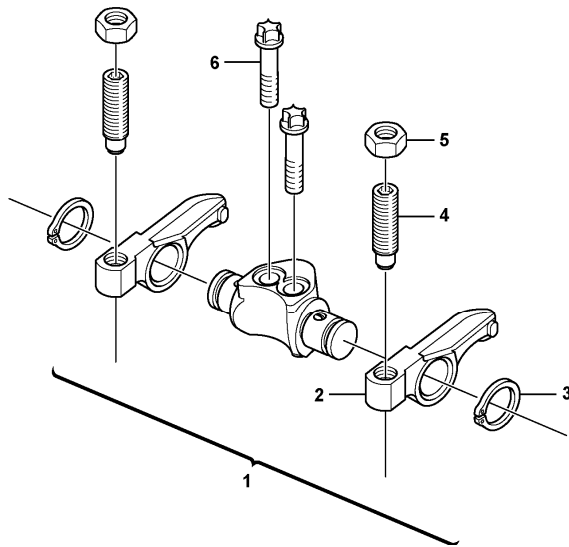


Volvo Construction
Equipment
1056226

Pos	Part	Q1	Q2	Q3	Q4	Q5	PS	Kit	Description	Option(s)	Remark
1	VOE15052788	4							Piston		See footnote 3735)
2	VOE11715530	1							•Bolt		
3	VOE11715531	2							•Retaining ring		
4	VOE15053376	1							•Piston ring kit		

3735) Compression class A

Date: 2013/11/5	Image id: 1056336	Catalogue: 20577	Model: L25F
Brand: Volvo	Serial: 1755001-	Group/Section: 214/100	Title: Valve mechanism

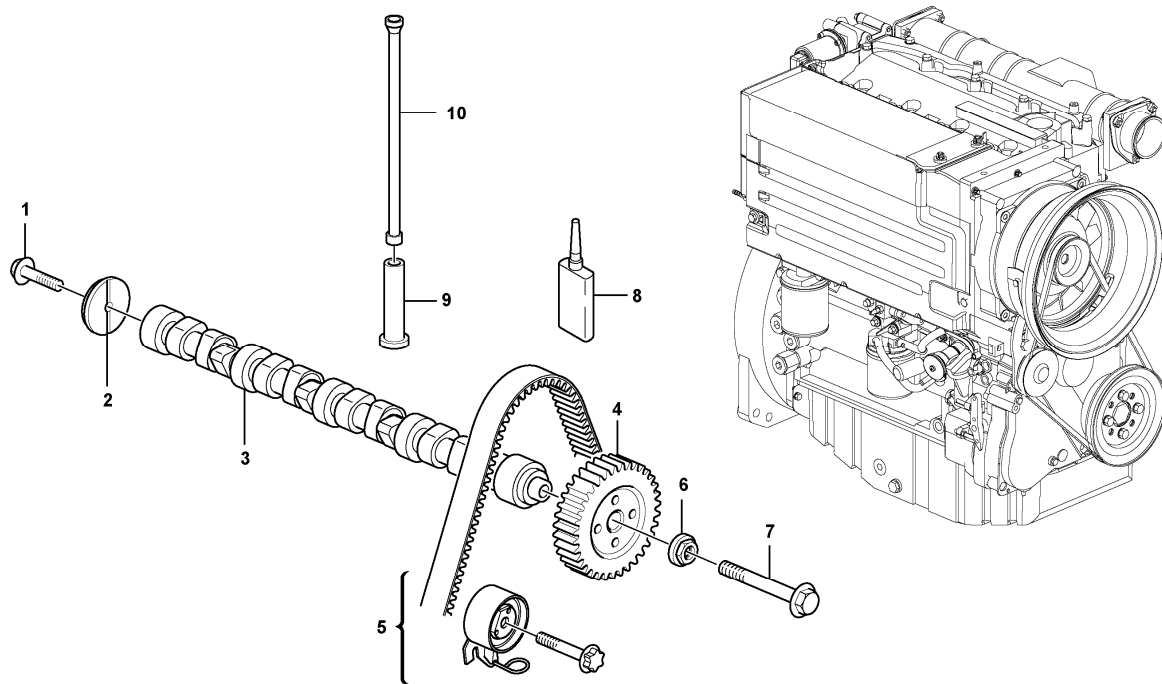


Volvo Construction
Equipment
1056336

Section option	Kit	Option description
VOE15211726		Engine L25F

Pos	Part	Q1	Q2	Q3	Q4	Q5	PS	Kit	Description	Option(s)	Remark
1	ZM2290529	4							Valve support	rocker	
2	ZM2290526	2							•Rocker Arm		
3	ZM7094952	2							•Safety ring		18X1,2
4	ZM2290527	2							•Adjusting screw		
5	VOE11700373	2							•Nut		
6	VOE20459853	8							Screw		

Date: 2013/11/5	Image id: 1056478	Catalogue: 20577	Model: L25F
Brand: Volvo	Serial: 1755001-	Group/Section: 215/100	Title: Camshaft

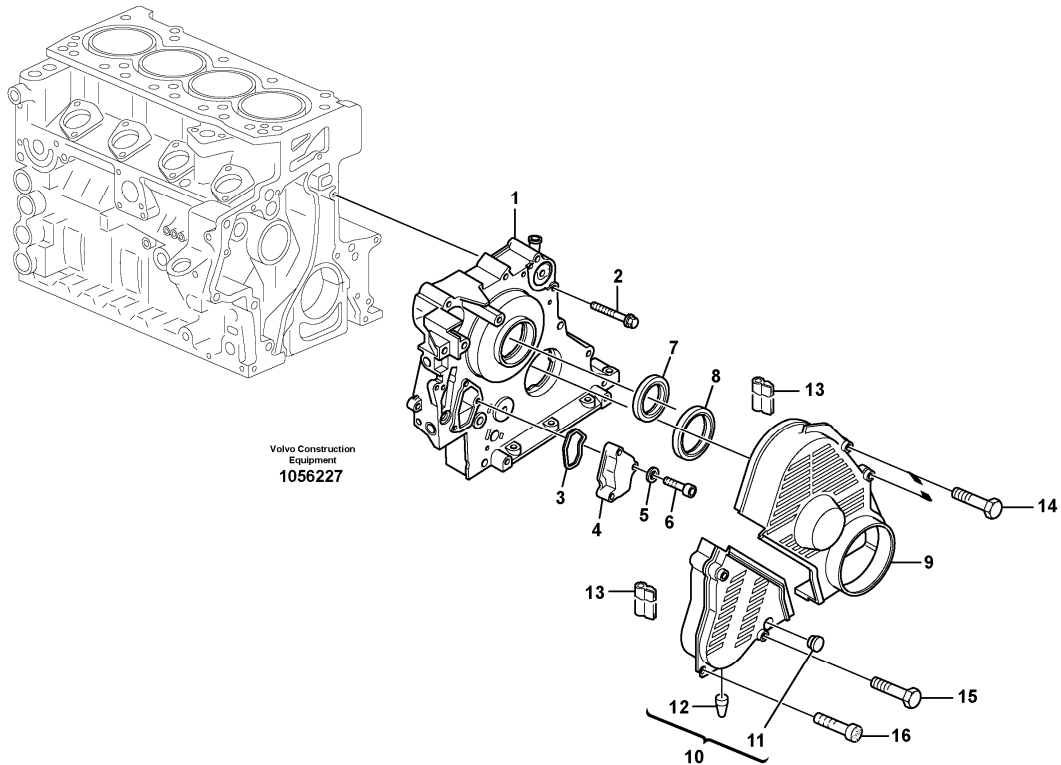


Volvo Construction
Equipment
1056478

Section option	Kit	Option description
VOE15211726		Engine L25F

Pos	Part	Q1	Q2	Q3	Q4	Q5	PS	Kit	Description	Option(s)	Remark
1	VOE20556888	1							Hexagon screw		
2	ZM2290517	1							Spacer disc		
3	VOE15053308	1							Camshaft		
4	VOE15053819	1							Camshaft gear		
5	VOE20945013	1							Repair Kit		
6	ZM2290522	1							Washer		
7	VOE20797281	1							Hexagon screw		
8	ZM4084070	REQ							Sealant		
9	ZM2904101	8							Valve tappet		
10	VOE15053292	8							Push rod		

Date: 2013/11/5	Image id: 1056227	Catalogue: 20577	Model: L25F
Brand: Volvo	Serial: 1755001-	Group/Section: 215/200	Title: Timing gear housing (front cover)



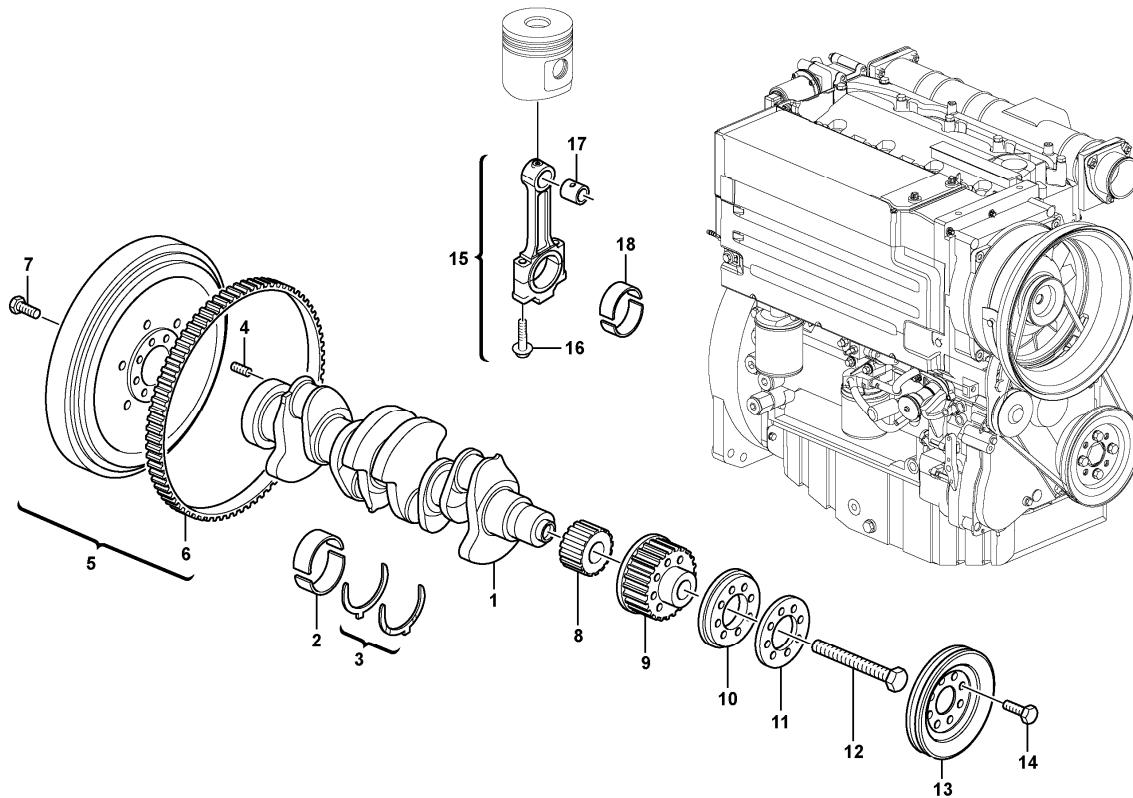
Section option	Kit	Option description
VOE15211726		Engine L25F

Pos	Part	Q1	Q2	Q3	Q4	Q5	PS	Kit	Description	Option(s)	Remark
1	VOE11370643	1							Cover		
2	ZM2908498	12							Screw		
3	ZM2904068	1							Profil gasket		
4	ZM2904070	1							Cover		
5	VOE20459074	3							Washer		(VOE11700497)
6	VOE11370253	3							Screw		
7	ZM2291470	1							Seal		
8	ZM2290458	1							Seal		
9	VOE11715748	1							Protecting casing		See footnote 1415)
10	VOE11715749	1							Protecting casing		
11	ZM2904072	1							•Plug		
12	VOE11370190	1							•Rubber sleeve		

13	VOE11370596	REQ							Sealing moulding		
14	VOE11370191	3							Hexagon screw		
15	VOE11370192	2							Hexagon screw		
16	VOE20460068	1							Screw		

1415) not by auxiliary pump

Date: 2013/11/5	Image id: 1056367	Catalogue: 20577	Model: L25F
Brand: Volvo	Serial: 1755001-	Group/Section: 216/100	Title: Crankshaft



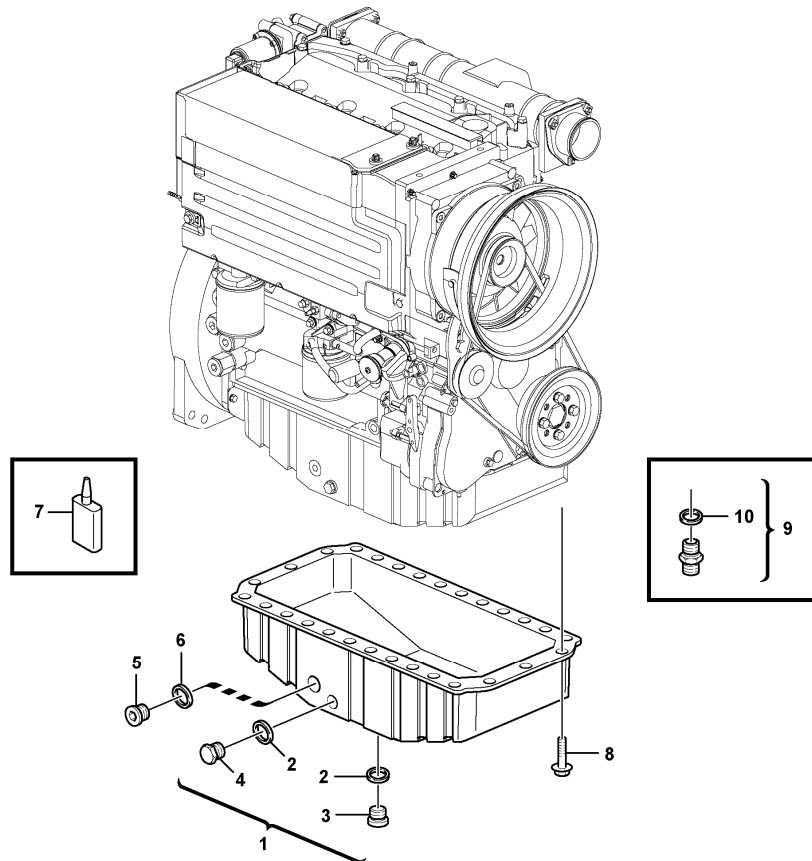
Volvo Construction
Equipment
1056367

Section option	Kit	Option description
VOE15211726		Engine L25F

Pos	Part	Q1	Q2	Q3	Q4	Q5	PS	Kit	Description	Option(s)	Remark
1	VOE15053306	1							Crankshaft		
2	ZM2290400	5							•Crankshaft bearing		70,00 MM
3	VOE20944762	1							•Thrust Washer		2,40 MM
4	ZM2904375	1							Thread Insert		
5	ZM2908532	1							Flywheel		
6	ZM2908533	1							•Gear ring		
7	ZM2290407	8							Screw		
8	ZM2290408	1							Toothed belt wheel		
9	ZM2290409	1							Toothed belt wheel		
10	VOE11370230	1							Spacer		
11	VOE11370135	1							Deflector		
12	ZM2290411	1							Screw		(VOE11715741)

13	ZM2905385	1							V-belt pulley		
14	ZM2908482	8							Screw		(ZM2900545)
15	VOE15053277	4							Connecting rod		
16	VOE15053932	8							•Screw		
17	ZM2290431	4							•Bushing		STD
17	ZM2900544	4							•Bushing		O SZ 33,22-33,36
18	VOE15186588	4							•Big-end Bearing kit		(VOE15053863)

Date: 2013/11/5	Image id: 1056237	Catalogue: 20577	Model: L25F
Brand: Volvo	Serial: 1755001-	Group/Section: 217/100	Title: Oil sump

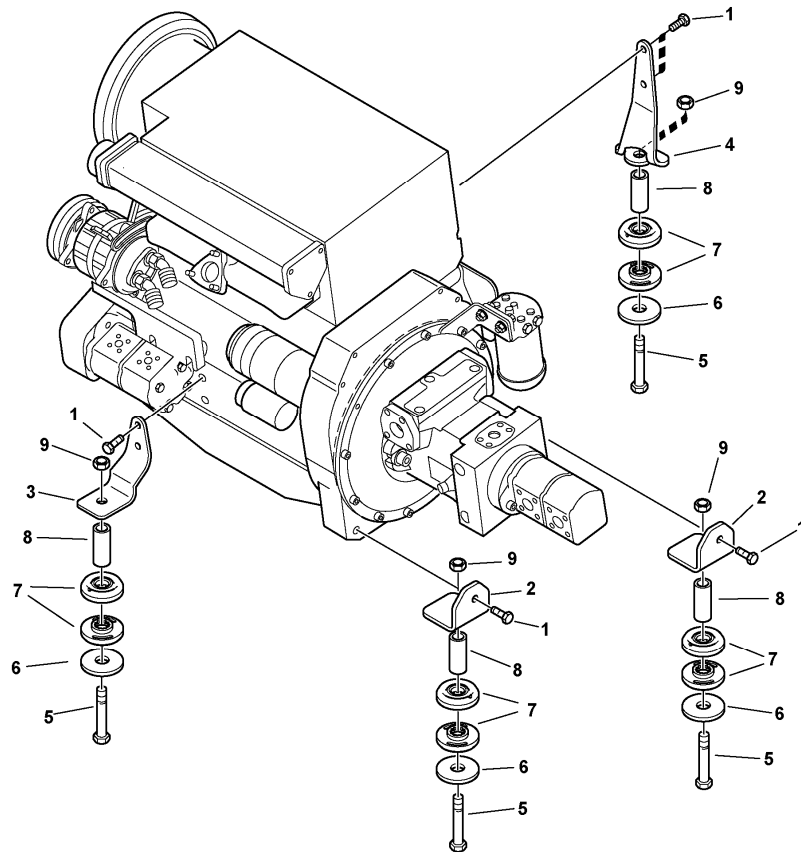


Volvo Construction
Equipment
1056237

Section option	Kit	Option description
VOE15211726		Engine L25F

Pos	Part	Q1	Q2	Q3	Q4	Q5	PS	Kit	Description	Option(s)	Remark
1	VOE11370134	1							Oil pan		
2	VOE13947624	2							•Plane gasket		
3	VOE20450891	1							•Plug		M18X1,5
4	VOE20405506	1							•Plug		
5	VOE20460024	1							Plug		
6	VOE20460026	1							Sealing ring		(ZM7099523)
7	ZM11712439	REQ							Sealing compound		
8	ZM2292234	26							Screw		
9	VOE20450851	1							Drain valve		
10	VOE20450890	1							•Sealing ring		

Date: 2013/11/5	Image id: 1055726	Catalogue: 20577	Model: L25F
Brand: Volvo	Serial: 1755001-	Group/Section: 218/100	Title: Engine assy 11390019 , 11390020



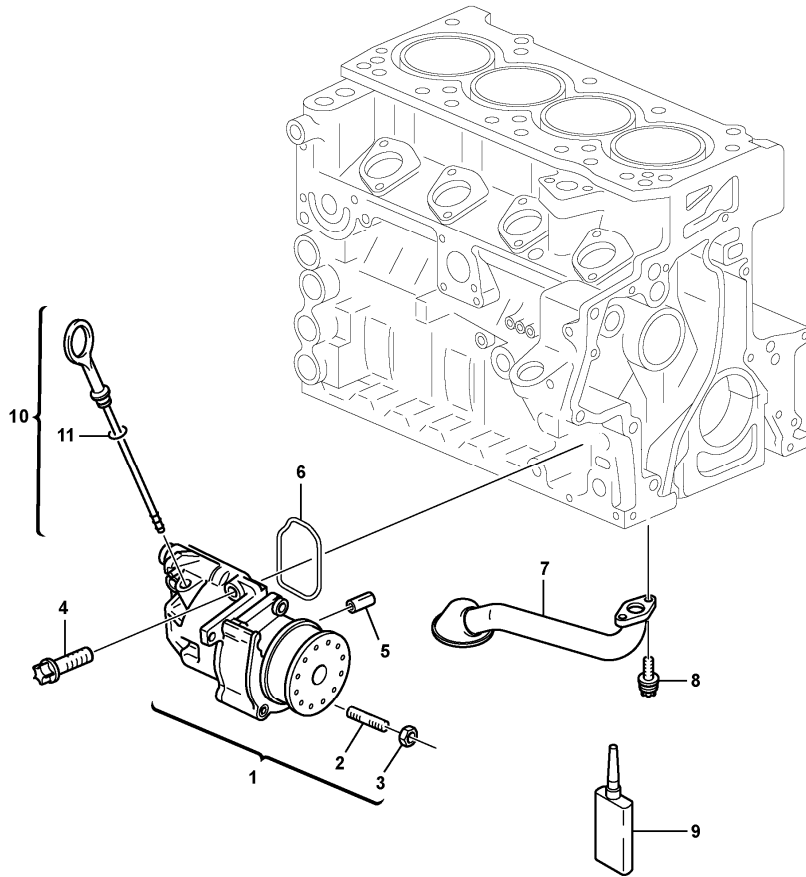
Volvo Construction
Equipment
1055726

Section option	Kit	Option description
VOE11390019		Wheel loader L25F
VOE11390020		Wheel loader L25F-Z

Pos	Part	Q1	Q2	Q3	Q4	Q5	PS	Kit	Description	Option(s)	Remark
1	VOE980056	6							Flange screw		M14x30
2	VOE11306348	2							Retainer		1700845-
3	VOE11306347	1							Retainer		1700845-
4	VOE11306346	1							Retainer		1700845-
5	VOE978952	4							Hexagon screw		M20x100 S/N 1700845 - 1755557
5	VOE978953	4							Hexagon screw		M20x100 S/N 1755558 -
6	VOE11307333	4							Washer		1700845-
7	ZM2811225	8							Buffer		
8	ZM2812436	4							Tube		

9	VOE982489	4						Lock nut		(ZM7098016)
---	-----------	---	--	--	--	--	--	----------	--	-------------

Date: 2013/11/5	Image id: 1056325	Catalogue: 20577	Model: L25F
Brand: Volvo	Serial: 1755001-	Group/Section: 221/100	Title: Oil pump

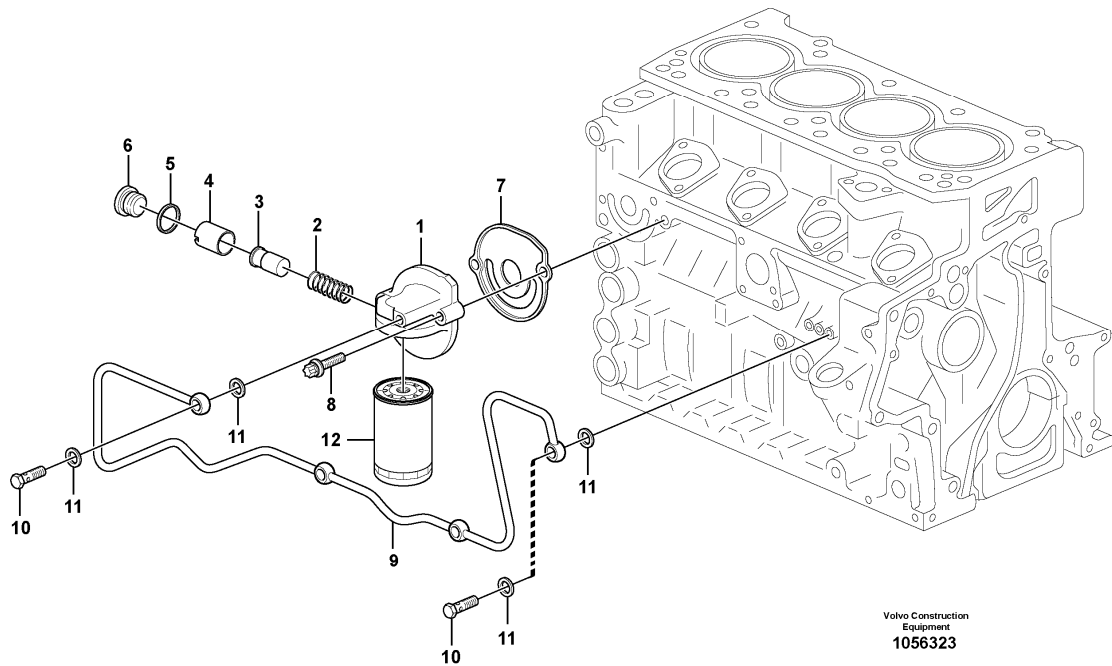


Volvo Construction
Equipment
1056325

Section option	Kit	Option description
VOE15211726		Engine L25F

Pos	Part	Q1	Q2	Q3	Q4	Q5	PS	Kit	Description	Option(s)	Remark
1	VOE15053902	1							Oil pump		
2	VOE15028996	1							•Pin		
3	VOE20460939	1							•Hexagon nut		M6
4	ZM2904117	4							Screw		
5	ZM2904118	2							Clamping pin		
6	ZM2904119	1							Gasket		
7	VOE11715751	1							Oil pipe		
8	ZM2908507	2							Screw		
9	ZM2903828	1					OP		Locking agent		
10	VOE15020602	1							Dipstick		
11	ZM2905171	1							•O-ring		8,5x2,5

Date: 2013/11/5	Image id: 1056323	Catalogue: 20577	Model: L25F
Brand: Volvo	Serial: 1755001-	Group/Section: 222/100	Title: Oil filter

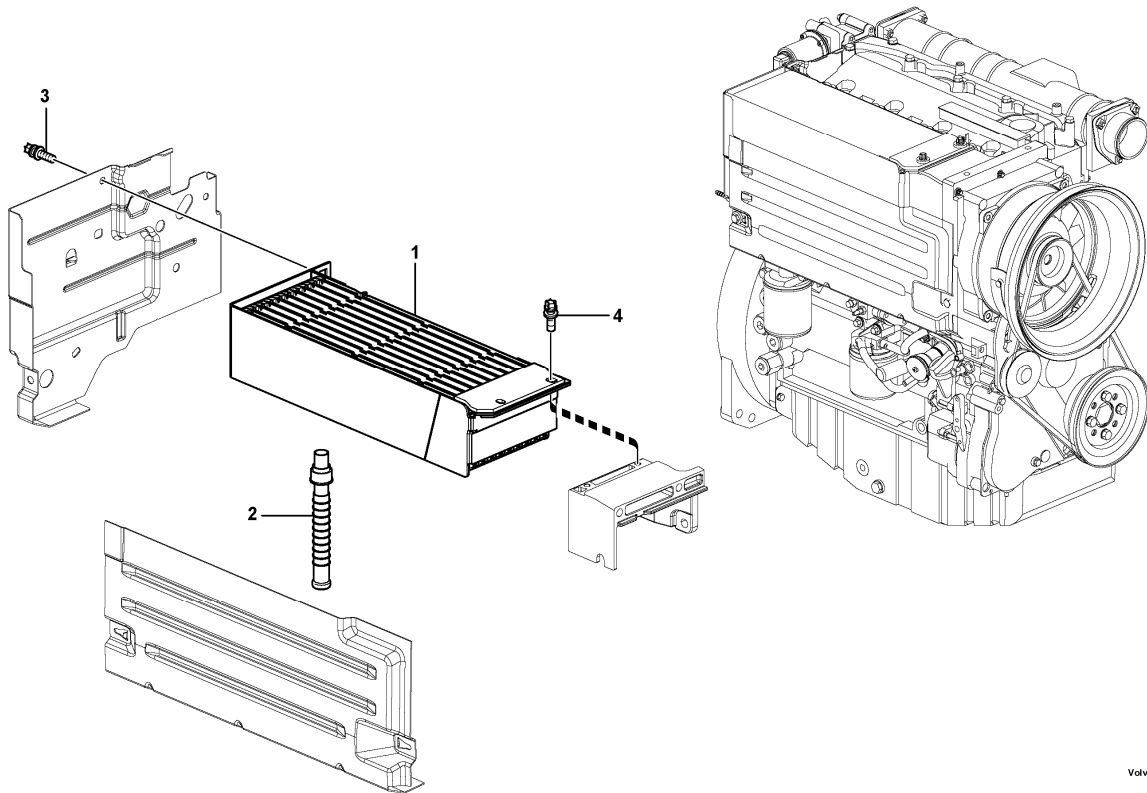


Section option	Kit	Option description
VOE15211726		Engine L25F

Pos	Part	Q1	Q2	Q3	Q4	Q5	PS	Kit	Description	Option(s)	Remark
1	VOE15053792	1							Oil filter housing		
2	VOE15053890	1							•Spring		
3	VOE15053936	1							•Temperature sensor		
4	VOE15053887	1							•Valve		
5	VOE20515173	1							•Gasket		
6	VOE21094611	1							•Plug		(VOE11715753)
7	VOE15053811	1							Gasket		
8	ZM2908513	2							Screw		
9	VOE15053897	1							Oil line		
10	ZM4074290	4							•Tube		
11	VOE13947281	8							•Gasket		

12	VOE11715272	1							Oil filter		
----	-------------	---	--	--	--	--	--	--	------------	--	--

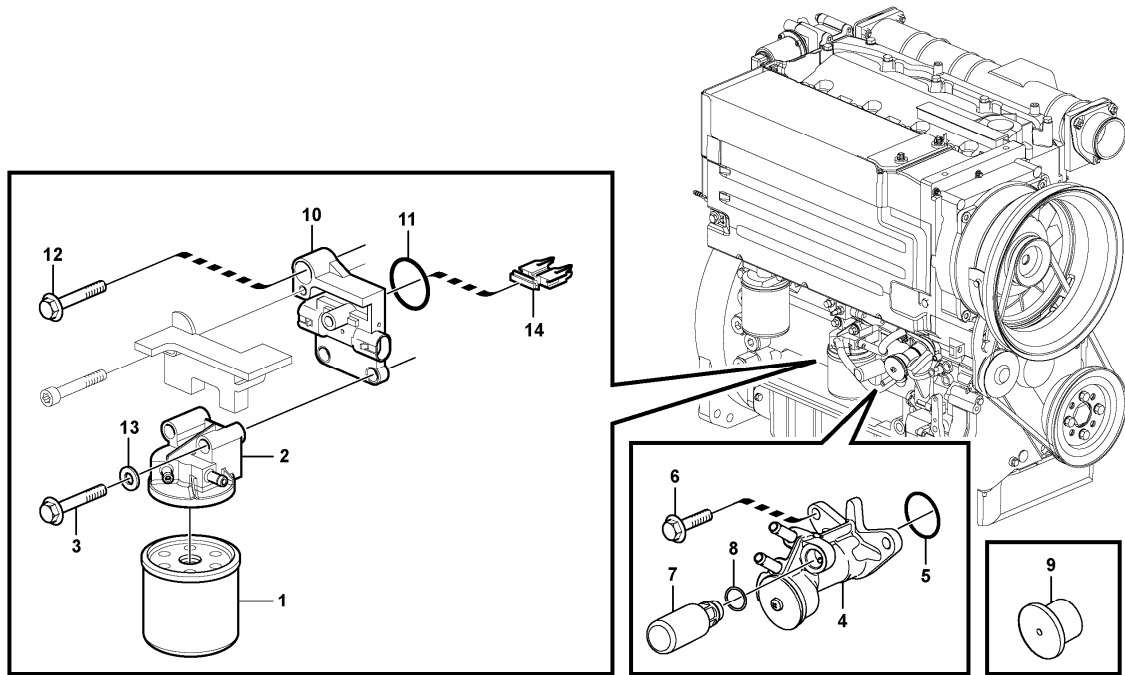
Date: 2013/11/5	Image id: 1056283	Catalogue: 20577	Model: L25F
Brand: Volvo	Serial: 1755001-	Group/Section: 223/100	Title: Oil cooler



Volvo Construction
Equipment
1056283

Pos	Part	Q1	Q2	Q3	Q4	Q5	PS	Kit	Description	Option(s)	Remark
1	VOE15114649	1							Oil cooler		
2	VOE15053786	2							Plug		
3	ZM2904121	2							Screw		
4	VOE11370595	2							Torque screw		

Date: 2013/11/5	Image id: 1056301	Catalogue: 20577	Model: L25F
Brand: Volvo	Serial: 1755001-	Group/Section: 233/100	Title: Fuel filter - Feed pump

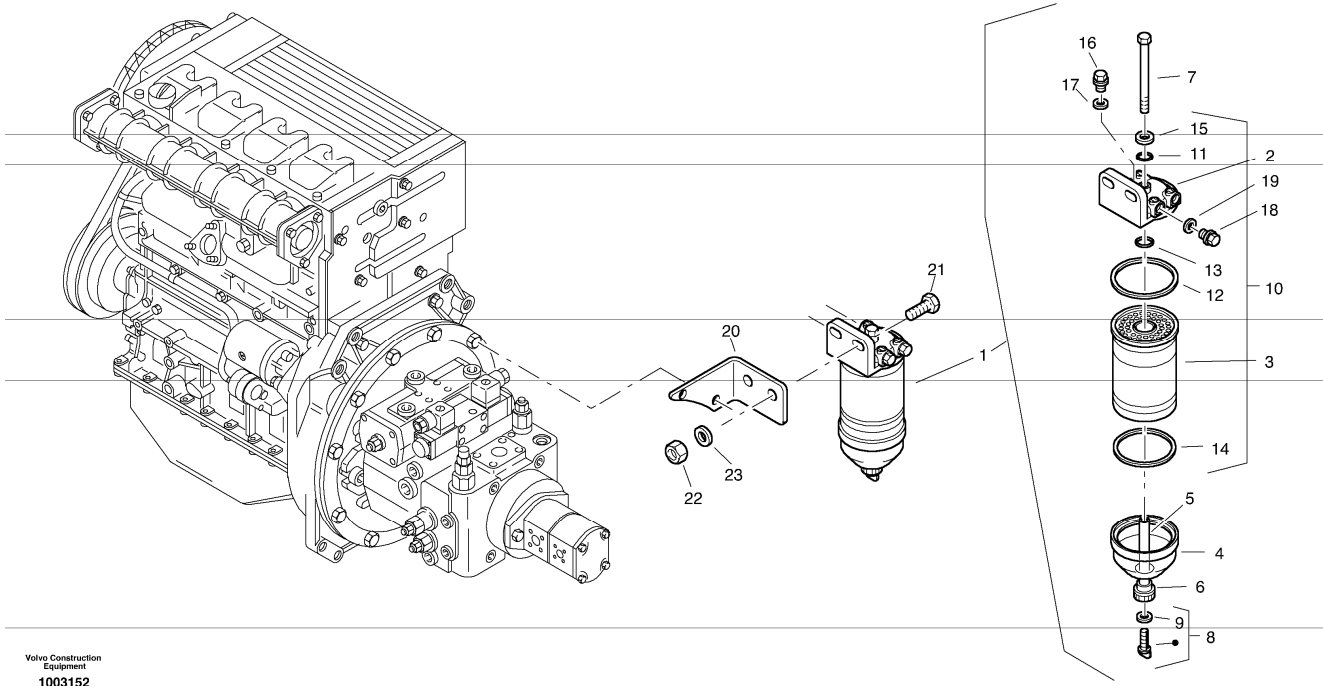


Volvo Construction
Equipment
1056301

Section option	Kit	Option description
VOE15211726		Engine L25F

Pos	Part	Q1	Q2	Q3	Q4	Q5	PS	Kit	Description	Option(s)	Remark
1	ZM2905303	1							Filter		
2	ZM2904125	4							Bracket		
3	VOE20405709	2							Screw		
4	VOE15199189	1							Fuel pump		(VOE11370634)
5	VOE15053642	1							•Sealing ring		
6	ZM2908512	2							Screw		
7	VOE20412750	1							•Hand pump		
8	VOE15051467	1							•Sealing ring		
9	VOE15184833	1							•Repair kit		
10	VOE15102683	1							Sensor		
11	VOE15106940	1							•O-ring		
12	VOE20405792	1							Screw		

Date: 2013/11/5	Image id: 1003152	Catalogue: 20577	Model: L25F
Brand: Volvo	Serial: 1755001-	Group/Section: 233/200	Title: Filter - Water separator 11390019 , 11390020

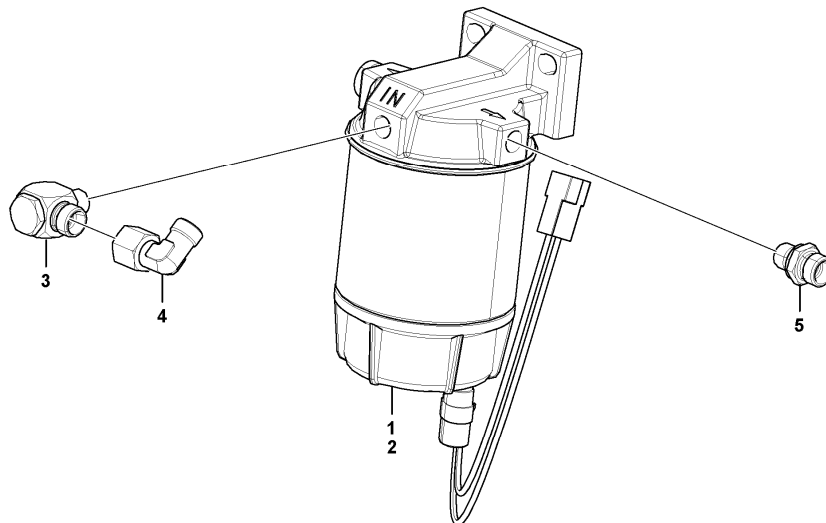


Section option	Kit	Option description
VOE11390019		Wheel loader L25F
VOE11390020		Wheel loader L25F-Z

Pos	Part	Q1	Q2	Q3	Q4	Q5	PS	Kit	Description	Option(s)	Remark
1	ZM2807872	1							Fuel filter		
2	ZM2905307	1					SS		•Filter head		
3	ZM2905298	1							•Filter cartridge		
4	ZM2905299	1							•Sight glass		
5	ZM2905300	1							•Knurled head screw		
6	VOE7242081	1							•Washer		(ZM2905301)
7	ZM2905302	1							•Screw		
8	VOE242595	1							•Plug		(ZM2905304)
9	ZM2910000	1							•Screw		
10	ZM2905306	1							•Gasket set, cpl.		
11	ZM2905308	1							••O-ring		
12	ZM2905309	1							••Gasket		
13	ZM2905310	1							••O-ring		
14	ZM2905311	1							••Gasket		
15	ZM2905312	1							••Washer		
16	ZM2905313	1							•Screw		

17	ZM2164940	1							•Seal		A10X14
18	ZM7099404	2							•Lock Plug		
19	ZM2905314	2							•Seal		
20	ZM2816411	1							Retainer		
21	VOE983251	2							Hexagon screw		M10X25
22	VOE983304	2							Hexagon nut		M10
23	VOE976945	2							Washer		10,5X22X2

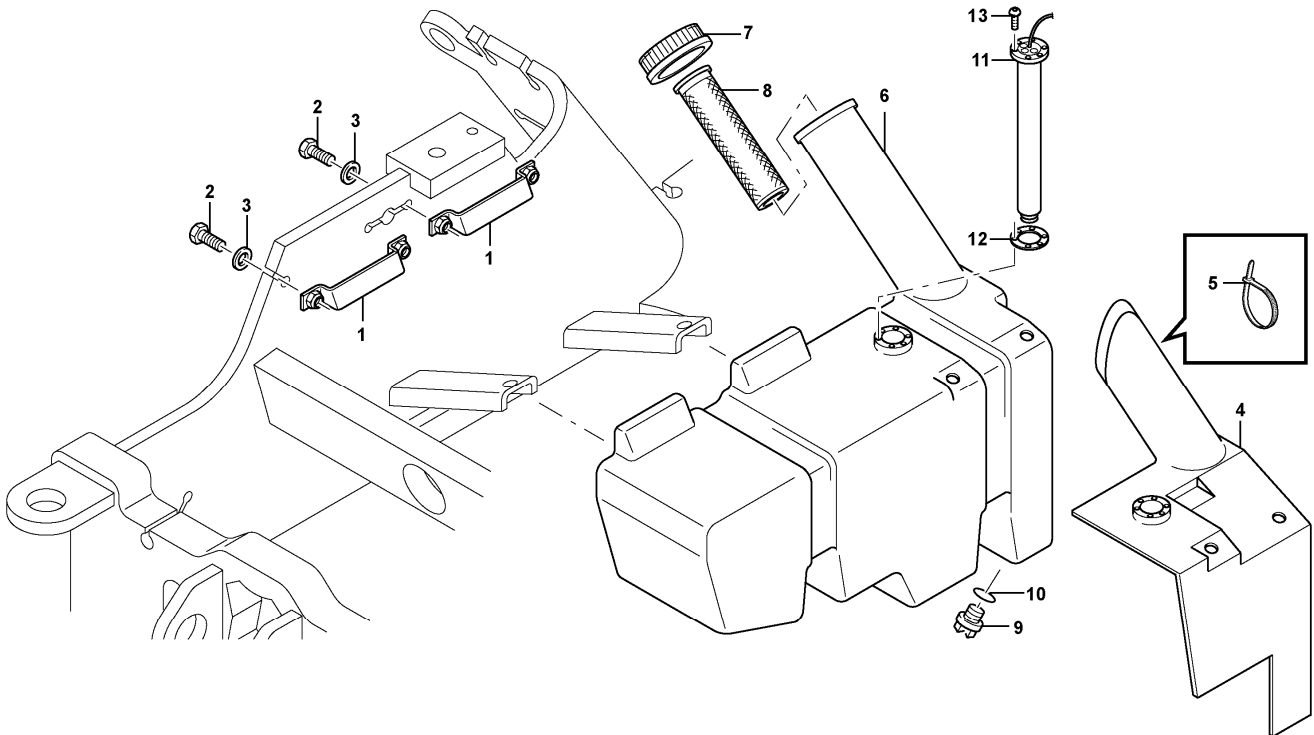
Date: 2013/11/5	Image id: 1056248	Catalogue: 20577	Model: L25F
Brand: Volvo	Serial: 1755001-	Group/Section: 233/400	Title: Fuel preheater 11390281



Volvo Construction
Equipment
1056248

Pos	Part	Q1	Q2	Q3	Q4	Q5	PS	Kit	Description	Option(s)	Remark
1	VOE11307566	1					NS		Precipitator		
2	VOE11716046	1							•Fuel filter		
3	VOE11306070	1							Banjo fitting		
4	VOE945357	1							Elbow nipple		
5	VOE11306932	1							Fitting		

Date: 2013/11/5	Image id: 1056256	Catalogue: 20577	Model: L25F
Brand: Volvo	Serial: 1755001-	Group/Section: 234/100	Title: Fuel tank 11390019 , 11390020



Volvo Construction
Equipment
1056256

Section option	Kit	Option description
VOE11390019		Wheel loader L25F
VOE11390020		Wheel loader L25F-Z

Pos	Part	Q1	Q2	Q3	Q4	Q5	PS	Kit	Description	Option(s)	Remark
1	VOE11305412	2							Retainer		
2	VOE983245	4							Hexagon screw		M8X40
3	VOE11117464	4							Washer		(VOE13960141) 8,4X22X2
4	VOE15203204	1							Damper mat		
5	ZM2809866	1							Cable tie		
6	VOE11308611	1							Fuel reservoir		
7	VOE11370262	1							•Filler cap		
8	VOE11370263	1							•Fuel Strainer		
9	ZM7099428	1							•Screw plug		M18X1,5
10	ZM1086268	1							•O-ring		16X3

11	VOE15209075	1					SS		Level sensor		S/N 1755001- S/N 1755007
11	VOE15214353	1							Fuel Level Sens		S/N 1755007-
12	ZM2906069	1							•Gasket		
13	VOE11305438	6							Screw		M4X12
13	VOE969791	6							Six point socket screw		



Suggest:

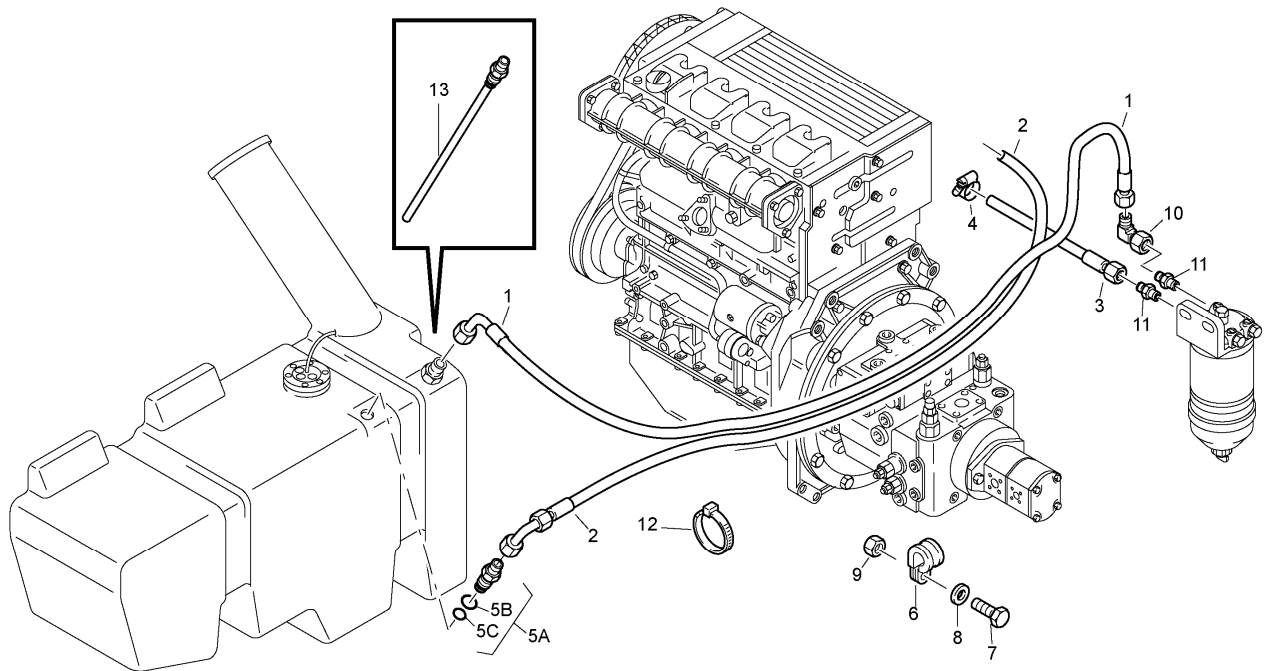
For more complete manuals. Please go to the home page.

<https://www.ebooklibonline.com>

If the above button click is invalid. Please download this document first, and then click the above link to download the complete manual.

Thank you so much for reading

Date: 2013/11/5	Image id: 1055727	Catalogue: 20577	Model: L25F
Brand: Volvo	Serial: 1755001-	Group/Section: 235/100	Title: Fuel pipes 11390019 , 11390020



Volvo Construction
Equipment
1055727

Section option	Kit	Option description
VOE11390019		Wheel loader L25F
VOE11390020		Wheel loader L25F-Z

Pos	Part	Q1	Q2	Q3	Q4	Q5	PS	Kit	Description	Option(s)	Remark
1	VOE11305405	1							Fuel hose		
2	VOE11305406	1							Fuel hose		
3	ZM2811483	1							Fuel hose		
4	VOE943470	1							Hose clamp		
5A	VOE11306079	1							Nipple		
5B	VOE11370540	1							•O-ring		22x5,5
5C	VOE11370541	1							•O-ring		14x5
6	VOE952634	1							Clamp		
7	VOE13948356	1							Flange screw		
8	VOE960139	1							Washer		
9	VOE983302	1							Hexagon nut		

10	VOE13945357	1							Elbow nipple		
11	VOE11306928	2							Stud		
12	VOE4881440	1							Cable tie		
13	VOE11308933	1							Suction pipe		

<https://www.ebooklibonline.com>

Hello dear friend!

Thank you very much for reading.

Enter the link into your browser.

The full manual is available for immediate download.

<https://www.ebooklibonline.com>