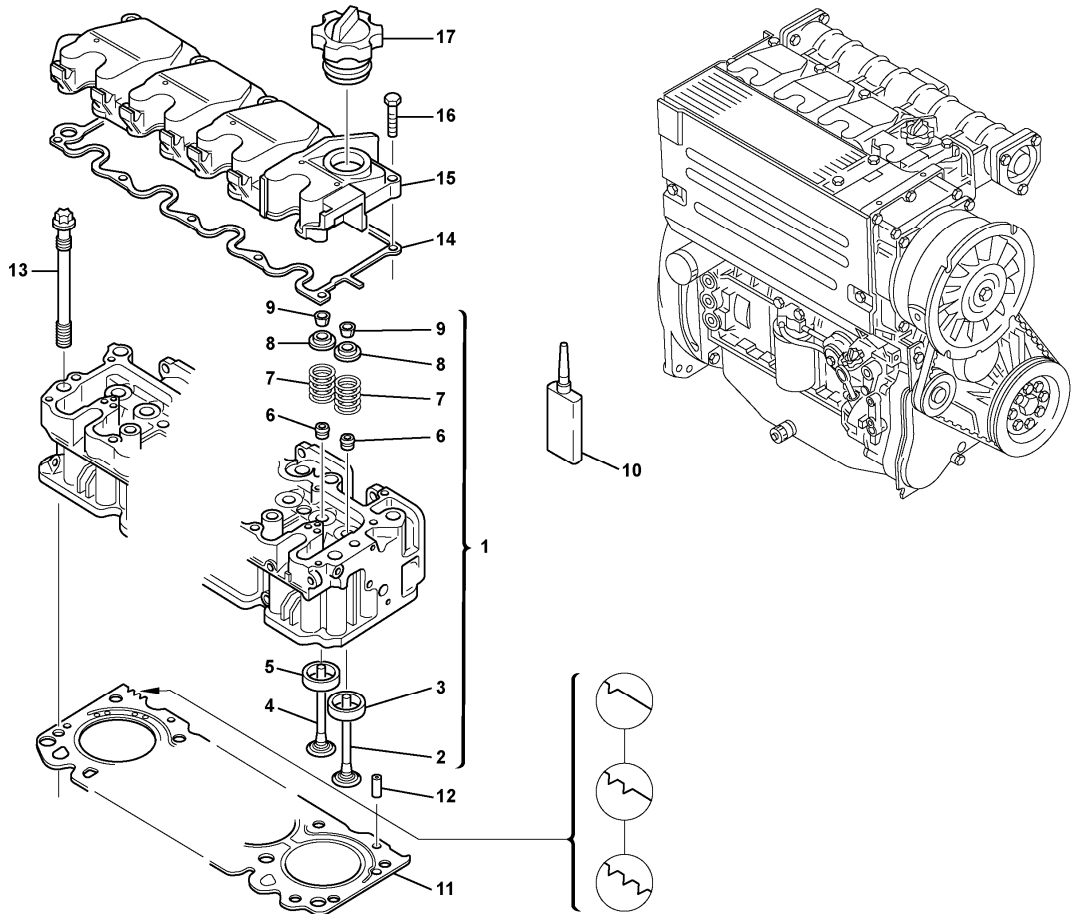


Date: 2013/11/5	Image id: 1003087	Catalogue: 20038	Model: L25B
Brand: Volvo	Serial: 1750500-1755000, 1760001-1765000	Group/Section: 211/100	Title: Cylinder head



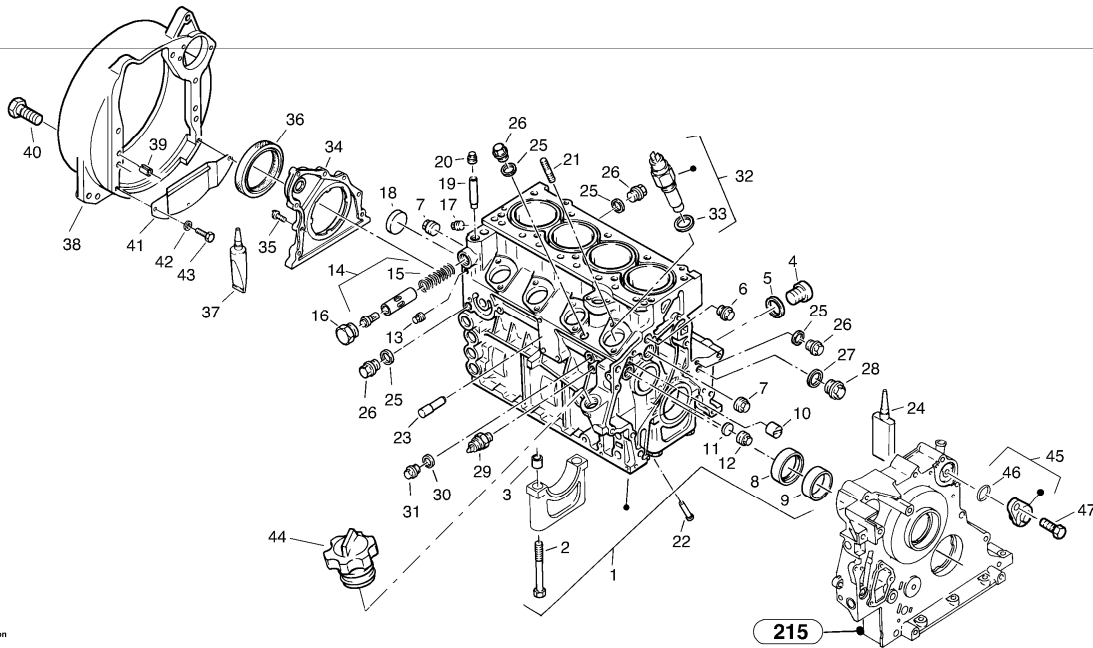
Volvo Construction
Equipment
1003087

Q1-Q5	Option	Option description	
Q1 ENGINE 11306226			
Q2 ENGINE 11308622			
Q3 ENGINE 15211726			

Pos	Part	Q1	Q2	Q3	Q4	Q5	PS	Kit	Description	Option(s)	Remark
1	VOE11370182	1							Cylinder head		
1	VOE15052804		1	1					Cylinder head		
2	ZM2908491	4	4	4					•Inlet valve		
3	VOE11715770	4							•Valve seat ring		(VOE11370183)42,67 MM
3	VOE11370185	REQ							•Valve seat ring		42,87 MM
3	VOE15052903		4	4					•Valve seat		

4	ZM2908492	4	4	4					•Exhaust Valve		
5	VOE11370184	4					SS		•Valve seat ring		37,07 MM
5	ZM2290500	REQ							•Valve seat ring		37,27 MM
5	VOE15052901		4	4					•Valve seat		
6	VOE20459855	8	8	8					•Valve seal		(ZM2904368)
7	ZM2904091	8	8	8					•Pressure spring		
8	VOE15053220	8							•Washer		(ZM2908493)
8	VOE15053220		8	8					•Washer		
9	VOE20459857	16	16	16					•Valve sleeve		
10	ZM2903912	REQ	REQ	REQ			OP		Locking agent		
11	VOE11370140	REQ							Cylinder head gasket		
11	VOE11370141	REQ							Cylinder head gasket		
11	VOE11715536	REQ							Cylinder head gasket		
11	VOE15052907		REQ	REQ					Cylinder head gasket		
11	VOE15052909		REQ	REQ					Cylinder head gasket		
11	VOE15052899		REQ	REQ					Cylinder head gasket		
12	VOE21033924	2	2	2					Guide pin		(ZM2904093)
13	ZM2904092	10	10	10					Cylinder head screw		
14	ZM2904098	1	1	1					Gasket		
15	VOE11370139	1	1	1					Valve cover		
16	ZM2908485	10	10	10					Screw		M6X30
17	ZM2904064	1	1	1					Filler cap		

Date: 2013/11/5	Image id: 1008568	Catalogue: 20038	Model: L25B
Brand: Volvo	Serial: 1750500-1755000, 1760001-1765000	Group/Section: 212/100	Title: Engine housing



Volvo Construction
Equipment
1008568

Q1-Q5	Option	Option description	
Q1 ENGINE 11306226			
Q2 ENGINE 11308622			
Q3 ENGINE 15211726			

Pos	Part	Q1	Q2	Q3	Q4	Q5	PS	Kit	Description	Option(s)	Remark
1	VOE11370114	1							Crankcase		
1	VOE15075766		1	1					Block		
2	ZM2290540	8	8	8					•Hexagon screw		
3	ZM4010300	8	8	8					•Bushing		
4	VOE20459941	1	1	1					•Plug		
5	VOE20460061	1	1	1					•Sealing ring		
6	ZM2904050	1	1	1					•Screw plug		
7	ZM2908480	2	2	2					•Screw plug		
8	ZM2904048	2	2	2					•Bearing bush		
9	VOE20795762	3	3	3					•Bearing Bushing		
10	VOE15053296	2							•Guide sleeve		(ZM2290541)
10	VOE15053296		2	2					•Guide sleeve		

<https://www.ebooklibonline.com>

Hello dear friend!

Thank you very much for reading.

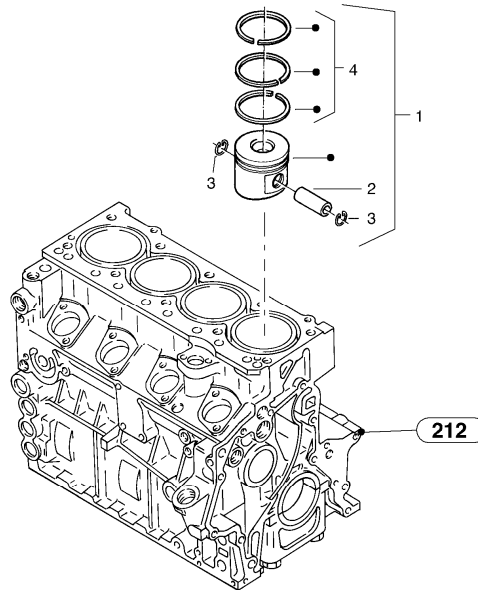
Enter the link into your browser.

The full manual is available for immediate download.

<https://www.ebooklibonline.com>

11	VOE11370177	1							•Plug		
11	VOE15053810		1	1					•Plug		
12	ZM2905346	2							•Screw plug		
13	VOE20860215	1							•Screw		(ZM2905340)
14	ZM2904169	1	1	1					•Thermostat		
15	ZM2904053	1	1	1					••Pressure spring		
16	ZM2905345	1	1	1					•Screw plug		
17	ZM20405718	1	1	1					•Screw plug		
18	VOE11370179	1	1	1					•Cover		
19	ZM2904051	1	1	1					•Tube		
20	ZM2905344	1	1	1					•Screw plug		
21	VOE11715739	8							•Stud		(VOE11370178)
21	VOE11715739		8	8					•Stud		
22	ZM2904056	8	8	8					•Piston cooling jet		
23	ZM2904057	1	1	1					•Pin		
24	ZM2903912	REQ	REQ	REQ			OP		Locking agent		
25	VOE11700631	4	4	4					Sealing ring		
26	VOE960628	4	4	4					Plug		(VOE20405556)
27	VOE20542740	1					SS		Sealing ring		(VOE11700303)
28	VOE20405506	1	1	1					Plug		
29	ZM2905379	1	1	1					Oil pressure switch		
30	VOE13947624	1	1	1					Plane gasket		
31	VOE11305512	1							Lock plug		(ZM7099401)
31	VOE20799217		1	1					Plug		
32	ZM2904059	1							Temperature transmitter		(VOE11715605)
32	VOE15054496		1	1					Sensor		
33	VOE13947621	1	1	1					•Plane gasket		
34	VOE15020566	1	1	1					Cover		
35	ZM2290455	8	8	8					Screw		M8x30
36	ZM2292220	1	1	1					Radial seal		
37	ZM4084070	REQ	REQ	REQ					Sealant		
38	ZM2905335	1	1	1					Intermediate housing		
39	ZM2290547	2	2	2					Bushing		
40	VOE20554683	4	4	4					Screw		
41	ZM2290561	1	1	1					Cover plate		
42	VOE973494	3	3	3					Washer		
43	VOE20459986	3	3	3					Screw		
44	ZM2904064	1	1	1					Filler cap		
45	ZM2904065	1	1	1					Valve		
46	ZM2904066	1	1	1					•O-ring		
47	VOE11370258	1	1	1					Hexagon screw		

Date: 2013/11/5	Image id: 1003083	Catalogue: 20038	Model: L25B
Brand: Volvo	Serial: 1750500-1755000, 1760001-1765000	Group/Section: 213/100	Title: Piston

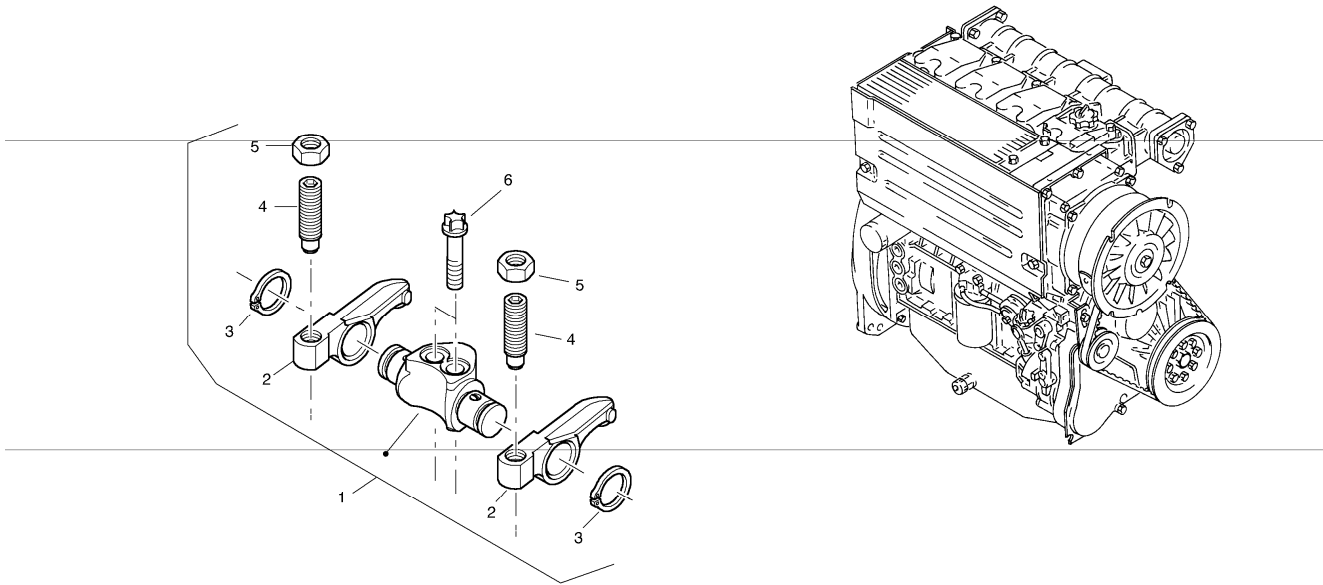


Volvo Construction
Equipment
1003083

Q1-Q5	Option	Option description	
Q1 ENGINE 11306226			
Q2 ENGINE 11308622			
Q3 ENGINE 15211726			

Pos	Part	Q1	Q2	Q3	Q4	Q5	PS	Kit	Description	Option(s)	Remark
1	VOE11370622	4							Piston		KOMPRESSIÖNSKLASS E A
1	VOE15052788		4	4					Piston		KOMPRESSIÖNSKLASS E A
1	VOE11370623	4							Piston		KOMPRESSIÖNSKLASS E B
2	ZM2290427	1							•Bolt		
2	VOE11715530		1	1					•Bolt		
3	VOE11370609	2							•Retaining ring		C 26X1,5
3	VOE11715531		2	2					•Retaining ring		
4	VOE11370181	1							•Piston ring kit		
4	VOE15053376		1	1					•Piston ring kit		

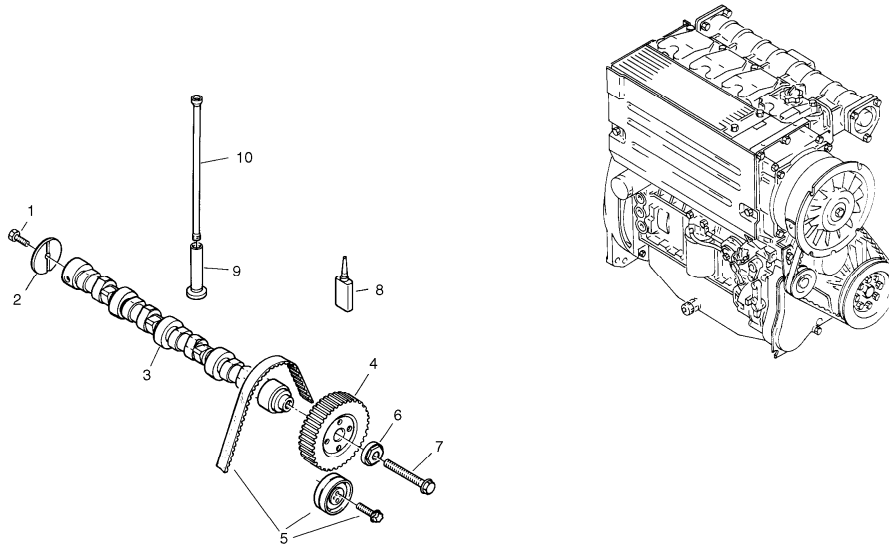
Date: 2013/11/5	Image id: 1003088	Catalogue: 20038	Model: L25B
Brand: Volvo	Serial: 1750500-1755000, 1760001-1765000	Group/Section: 214/100	Title: Valve mechanism



Volvo Construction
Equipment
1003088

Pos	Part	Q1	Q2	Q3	Q4	Q5	PS	Kit	Description	Option(s)	Remark
1	ZM2290529	4							Valve support rocker		
2	ZM2290526	2							•Rocker Arm		
3	ZM7094952	2							•Safety ring		18X1,2
4	ZM2290527	2							•Adjusting screw		
5	VOE11700373	2							•Nut		
6	VOE20459853	8							Screw		

Date: 2013/11/5	Image id: 00000079	Catalogue: 20038	Model: L25B
Brand: Volvo	Serial: 1750500-1755000, 1760001-1765000	Group/Section: 215/100	Title: Camshaft



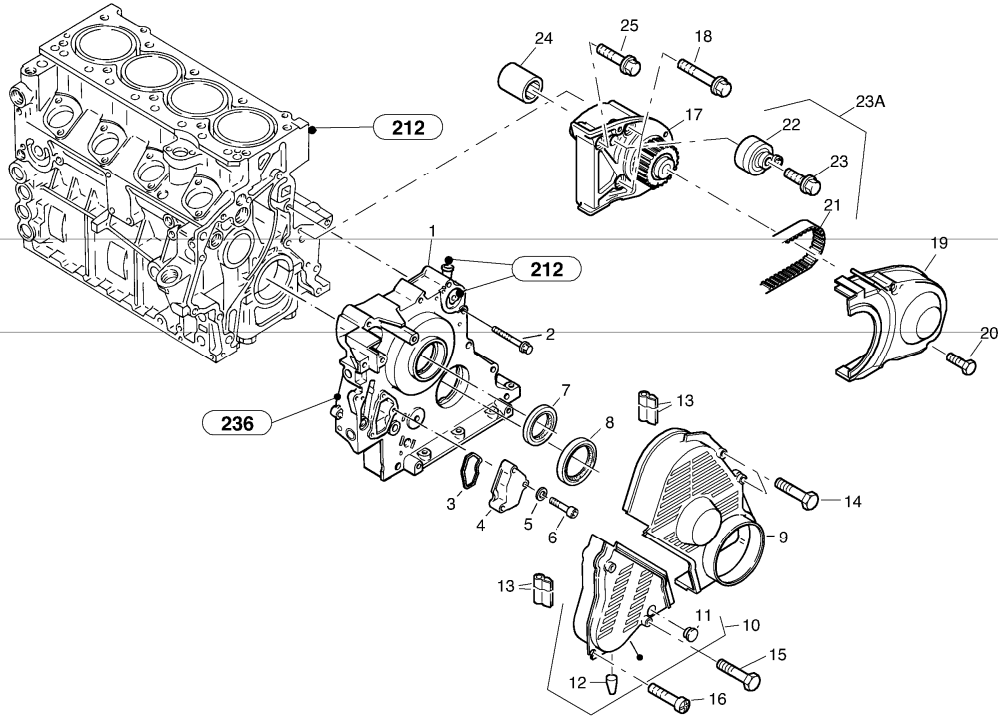
00000079

Q1-Q5	Option	Option description	
Q1 ENGINE 11306226			
Q2 ENGINE 11308622			
Q3 ENGINE 15211726			

Pos	Part	Q1	Q2	Q3	Q4	Q5	PS	Kit	Description	Option(s)	Remark
1	VOE20556888	1	1	1					Hexagon screw		
2	ZM2290517	1	1	1					Spacer disc		
3	VOE11715771	1							Camshaft		
3	VOE15053308		1	1					Camshaft		
4	VOE11370636	1							Pulley		
4	VOE15053819		1	1					Camshaft gear		
5	VOE20945013	1							Repair Kit		(VOE11370600)
5	VOE20945013		1	1					Repair Kit		
6	VOE11370637	1							Washer		
6	ZM2290522		1	1					Washer		
7	VOE20797281	1	1	1					Hexagon screw		
8	ZM4084070	REQ	REQ	REQ					Sealant		

9	ZM2904101	8	8	8					Valve tappet		
10	ZM2290524	8							Push rod		
10	VOE15053292		8	8					Push rod		

Date: 2013/11/5	Image id: 1008566	Catalogue: 20038	Model: L25B
Brand: Volvo	Serial: 1750500-1755000, 1760001-1765000	Group/Section: 215/200	Title: Timing gear housing (front cover)



Q1-Q5	Option	Option description	
Q1 ENGINE 11306226			
Q2 ENGINE 11308622			
Q3 ENGINE 15211726			

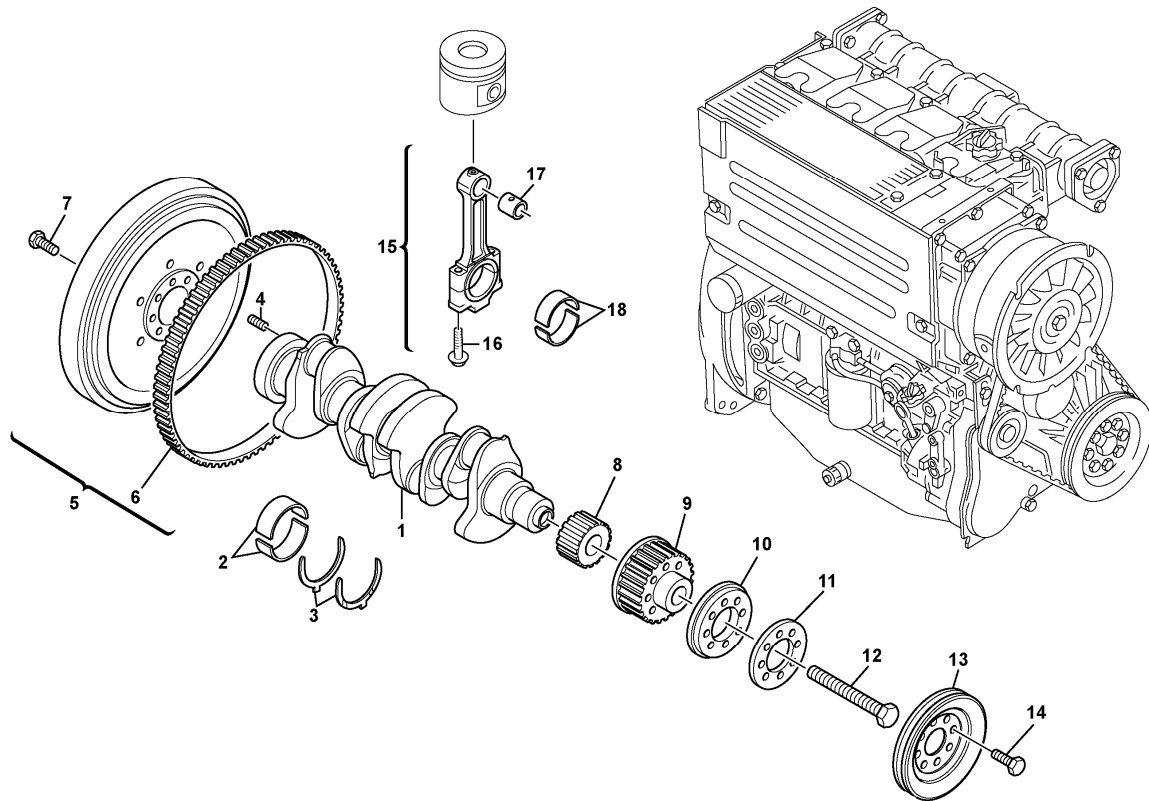
Pos	Part	Q1	Q2	Q3	Q4	Q5	PS	Kit	Description	Option(s)	Remark
1	VOE11370643	1	1	1					Cover		
2	ZM2908498	12	12	12					Screw		
3	ZM2904068	1	1	1					Profil gasket		
4	ZM2904070	1	1	1					Cover		
5	VOE20459074	3	3	3					Washer		(VOE11700497)
6	VOE11370253	3	3	3					Screw		
7	ZM2291470	1	1	1					Seal		
8	ZM2290458	1	1	1					Seal		
9	VOE11715748	1	1	1					Protecting casing		See footnote 1415)
9	VOE11715974	1							Protecting casing		(VOE11370277)See footnote 1375)
10	VOE11715749	1	1	1					Protecting casing		

11	ZM2904072	1	1	1					•Plug		
12	VOE11370190	1	1	1					•Rubber sleeve		
13	VOE11370596	REQ	REQ	REQ					Sealing moulding		
14	VOE11370191	3	3	3					Hexagon screw		
15	VOE11370192	2	2	2					Hexagon screw		
16	VOE20460068	1	1	1					Screw		
17	VOE11370649	1							Bracket		See footnote 1375)
18	ZM2906901	2							Screw		See footnote 1375) M10X90
19	VOE11370276	1							Protecting casing		See footnote 1375)
20	VOE20534527	3							Screw		(VOE11370256)See footnote 1375) M6X25
21	VOE20945006	REQ							Repair Kit		(VOE11370275)See footnote 1375)
22	VOE20945006	REQ							Repair Kit		(VOE11370280)See footnote 1375)
23	ZM2908498	REQ							Screw		See footnote 1375) M8X60
23A	VOE20945006	1							Repair Kit		(VOE11370657)See footnote 1375)
24	VOE11370278	1							Engaging sleeve		See footnote 1375)
25	VOE20797178	1							Screw		(VOE11370279)See footnote 1375) M10X75

1375) only by auxiliary pump

1415) not by auxiliary pump

Date: 2013/11/5	Image id: 1032926	Catalogue: 20038	Model: L25B
Brand: Volvo	Serial: 1750500-1755000, 1760001-1765000	Group/Section: 216/100	Title: Crankshaft



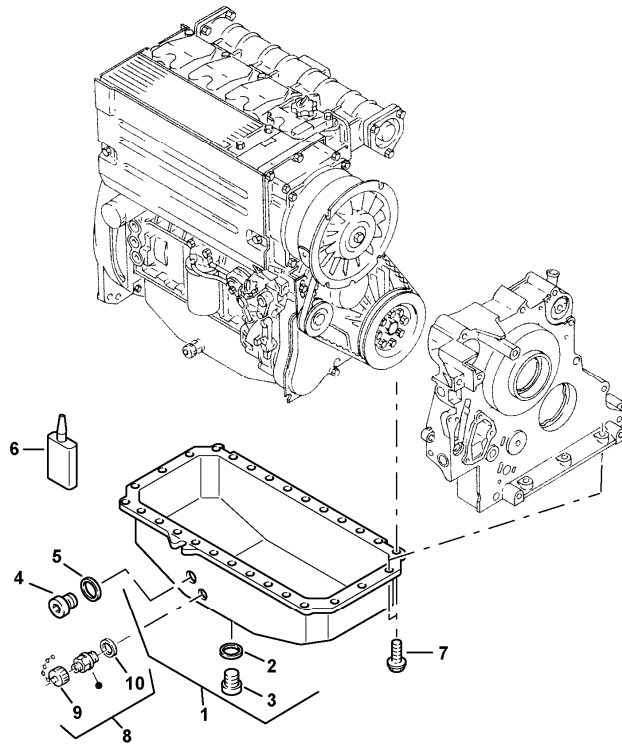
Volvo Construction
Equipment
1032926

Q1-Q5	Option	Option description	
Q1 ENGINE 11306226			
Q2 ENGINE 11308622			
Q3 ENGINE 15211726			

Pos	Part	Q1	Q2	Q3	Q4	Q5	PS	Kit	Description	Option(s)	Remark
1	VOE11370180	1							Crankshaft		
1	VOE15053306		1	1					Crankshaft		
2	ZM2290400	5	5	5					•Crankshaft bearing		70,00 MM
2	ZM2900539	REQ							•Crankshaft bearing		69,75 MM
2	ZM2290402	REQ							•Crankshaft bearing		69,50 MM
3	VOE20944762	1	1	1					•Thrust Washer		2,40 MM
3	VOE20944769	REQ							•Thrust Washer		2,60 MM

4	ZM2904375	1	1	1					Thread Insert		
5	ZM2908532	1	1	1					Flywheel		
6	ZM2908533	1	1	1					•Gear ring		
7	ZM2290407	8	8	8					Screw		
8	ZM2290408	1	1	1					Toothed belt wheel		
9	ZM2290409	1	1	1					Toothed belt wheel		
10	VOE11370230	1	1	1					Spacer		
11	VOE11370135	1	1	1					Deflector		
12	ZM2290411	1	1	1					Screw		
13	ZM2290412	1							V-belt pulley		
13	ZM2905385		1	1					V-belt pulley		
14	ZM2908482	8	8	8					Screw		(ZM2900545)
15	ZM2904105	4					SS		Connecting rod		
15	VOE15053277		4	4					Connecting rod		
16	ZM2904106	8							•Screw		
16	VOE15053932		8	8					•Screw		
17	ZM2290416	1							•Bushing		29,06 - 29,10 MM
17	ZM2904108	REQ							•Bushing		29,31 - 29,35 MM
17	ZM2290431		4	4					•Bushing		STD
17	ZM2900544		4	4					•Bushing		oversize 33,22-33,36
18	VOE15186588		4	4					•Big-end bearing kit		(VOE15053863)STD
18	ZM2290432	4							Big end bearing		55,00 MM
18	ZM2900542	REQ							Big end bearing		54,75 MM
18	ZM2900543	REQ							Big end bearing		54,50 MM

Date: 2013/11/5	Image id: 1046052	Catalogue: 20038	Model: L25B
Brand: Volvo	Serial: 1750500-1755000, 1760001-1765000	Group/Section: 217/100	Title: Oil sump



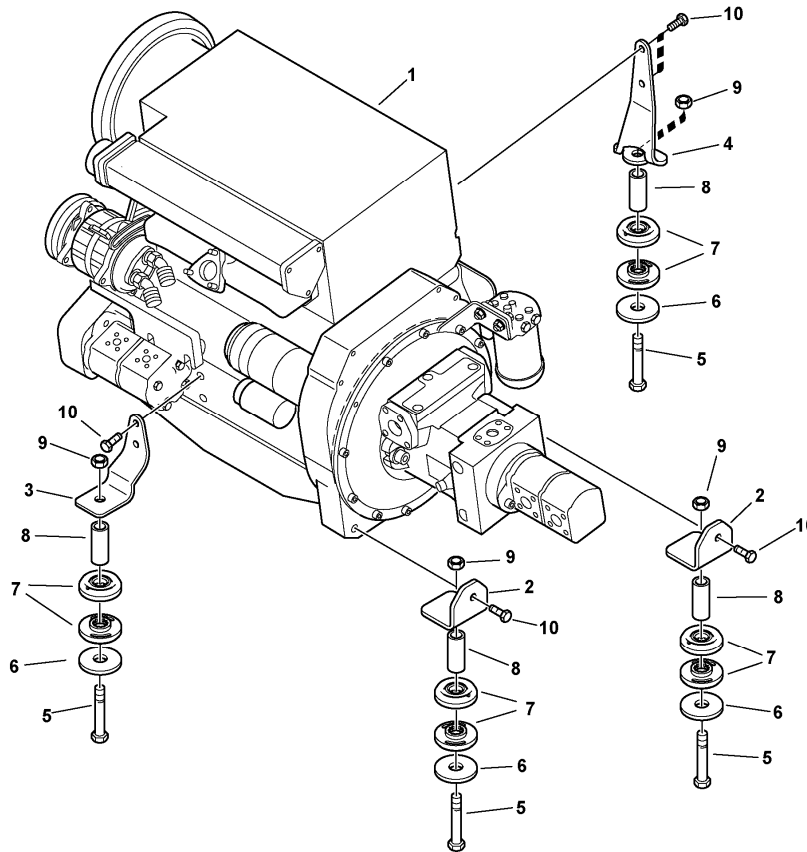
Volvo Construction
Equipment
1046052

Q1-Q5	Option	Option description	
Q1 ENGINE 11306226			
Q2 ENGINE 11308622			
Q3 ENGINE 15211726			

Pos	Part	Q1	Q2	Q3	Q4	Q5	PS	Kit	Description	Option(s)	Remark
1	VOE11370134	1	1	1					Oil pan		
2	VOE13947624	1	1	1					•Plane gasket		
3	VOE20450891	1	1	1					•Plug		M18X1,5
4	VOE20460024	1	1	1					•Plug		
5	VOE20460026	1	1	1					•Sealing ring		(ZM7099523)
6	ZM2903926	REQ	REQ	REQ					Sealing compound		
7	ZM2292234	26	26	26					Screw		

8	ZM4384256	1							Valve		
8	VOE20450851		1	1					Drain valve		
9	ZM2285689	1							•Chain with cap		
10	ZM7099518	1							•Seal		C18X24
10	VOE20450890		1	1					•Sealing ring		

Date: 2013/11/5	Image id: 1001447	Catalogue: 20038	Model: L25B
Brand: Volvo	Serial: 1750500-1755000, 1760001-1765000	Group/Section: 218/100	Title: Engine assy



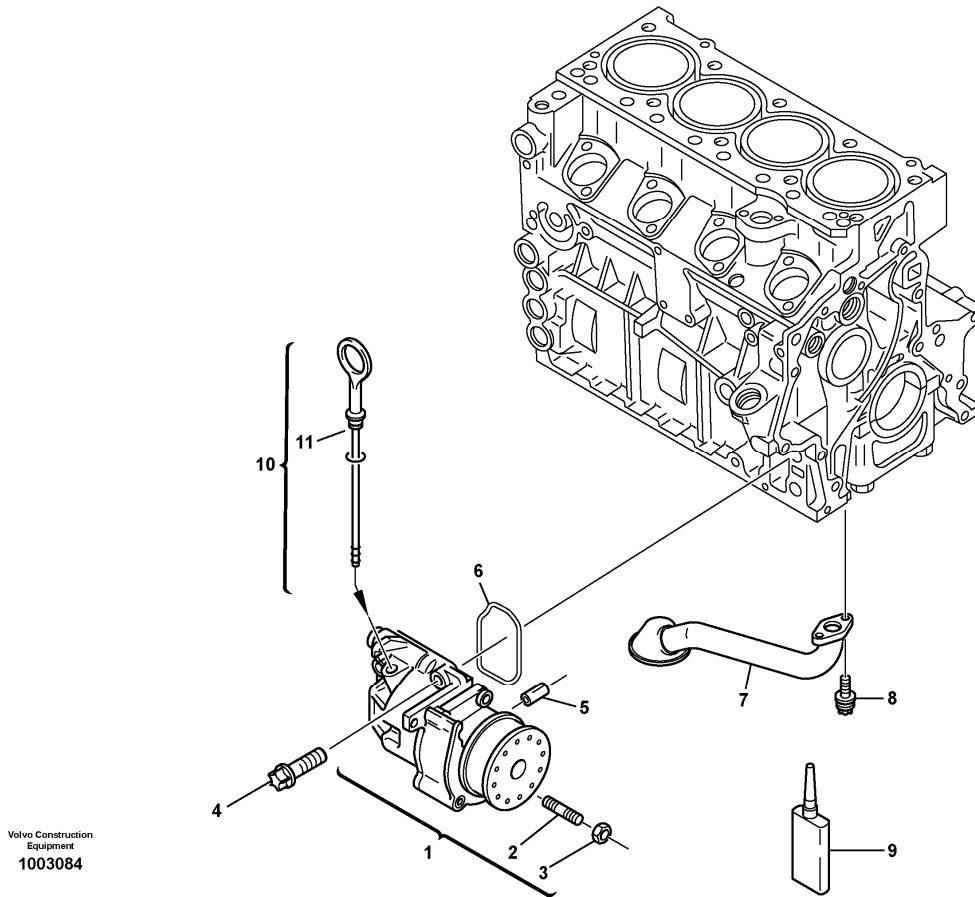
Volvo Construction
Equipment
1001447

Q1-Q5	Option	Option description	
Q1 ENGINE 11306226			
Q2 ENGINE 11308622			
Q3 ENGINE 15211726			

Pos	Part	Q1	Q2	Q3	Q4	Q5	PS	Kit	Description	Option(s)	Remark
1	VOE11306226	1							Diesel engine		SER - 1753000
1	VOE11308622		1				SS		Engine		SER NO 1753001 -
1	VOE15211726			1					Engine		
2	ZM2817050	2							Retainer		-1750864
2	VOE11306348	2	2	2					Retainer		1750865-
3	ZM2817052	1							Retainer		-1750864
3	VOE11306347	1	1	1					Retainer		1750865-

4	ZM2817239	1							Retainer		-1750864
4	VOE11306346	1	1	1					Retainer		1750865-
5	VOE978953	4							Hexagon screw		M20x110, S/N - 1750864
5	VOE978952	4	4	4					Hexagon screw		M20x100 S/N 1750865 - 1753779
5	VOE978953	4	4	4					Hexagon screw		M20x100 11390001 S/ N 1753780 - 11390012 S/N 1760097 -
6	ZM2812435	4							Washer		-1750864
6	VOE11307333	4	4	4					Washer		1750865-
7	ZM2811225	8	8	8					Buffer		
8	ZM2812436	4	4	4					Tube		
9	VOE982489	4	4	4					Lock nut		(ZM7098016)
10	VOE980056	6	6	6					Flange screw		

Date: 2013/11/5	Image id: 1003084	Catalogue: 20038	Model: L25B
Brand: Volvo	Serial: 1750500-1755000, 1760001-1765000	Group/Section: 221/100	Title: Oil pump

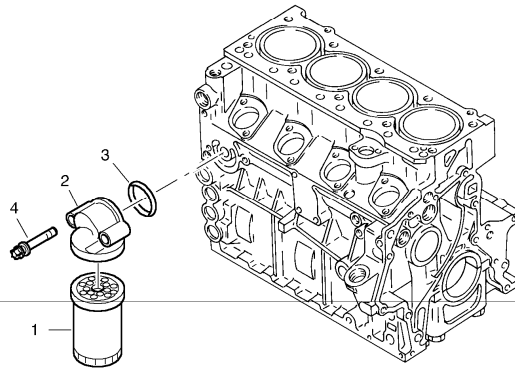


Q1-Q5	Option	Option description	
Q1 ENGINE 11306226			
Q2 ENGINE 11308622			
Q3 ENGINE 15211726			

Pos	Part	Q1	Q2	Q3	Q4	Q5	PS	Kit	Description	Option(s)	Remark
1	VOE15053902	1	1	1					Oil pump		
2	VOE15028996	1	1	1					•Pin		
3	VOE20460939	1	1	1					•Hexagon nut		M6
4	ZM2904117	4	4	4					Screw		
5	ZM2904118	2	2	2					Clamping pin		
6	ZM2904119	1	1	1					Gasket		
7	VOE11715751	1	1	1					Oil pipe		

8	VOE20797217	2	2	2					Flange screw		(VOE11715752)
9	ZM2903828	1					OP		Locking agent		
10	VOE15020602	1	1	1					Dipstick		
11	ZM2905171	1	1	1					•O-ring		8,5x2,5

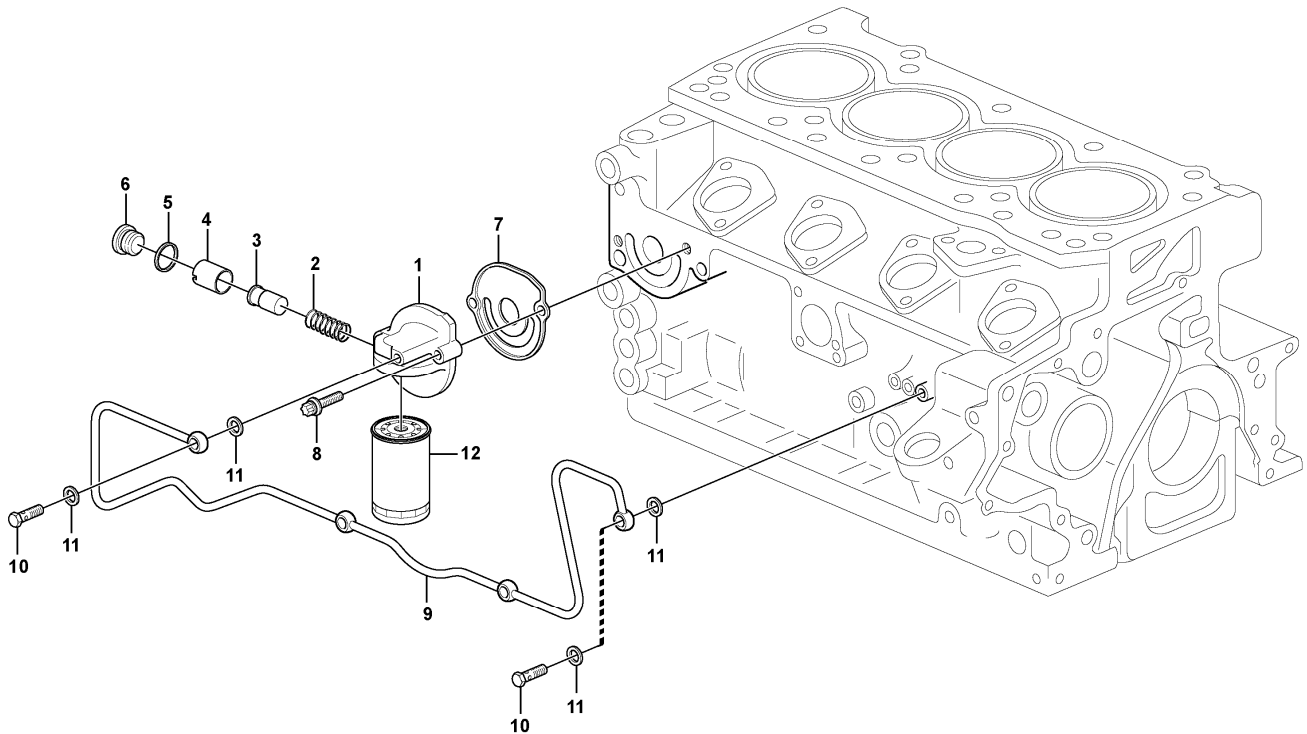
Date: 2013/11/5	Image id: 1003082	Catalogue: 20038	Model: L25B
Brand: Volvo	Serial: 1750500-1755000, 1760001-1765000	Group/Section: 222/100	Title: Oil filter ENGINE 11306226



Volvo Construction
Equipment
1003082

Pos	Part	Q1	Q2	Q3	Q4	Q5	PS	Kit	Description	Option(s)	Remark
1	VOE11715272	1							Oil filter		SB CWL1
2	ZM2907622	1							Bracket		
3	ZM2907372	1							O-ring		
4	ZM2908513	2							Screw		(VOE11715750)

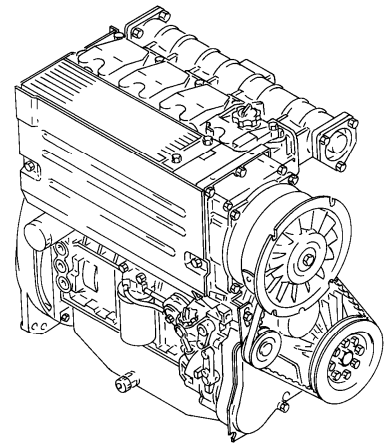
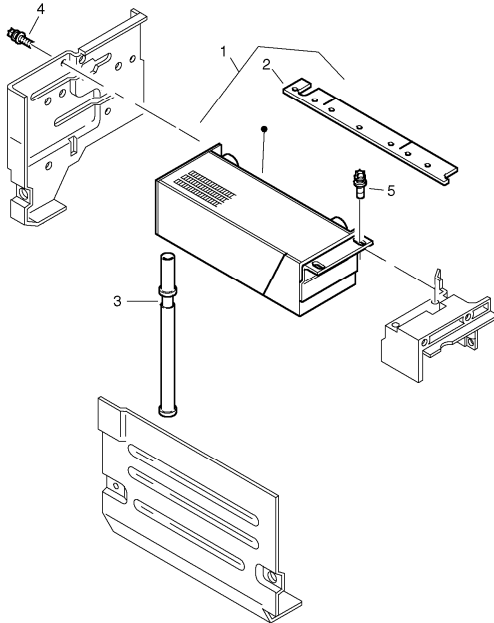
Date: 2013/11/5	Image id: 1032981	Catalogue: 20038	Model: L25B
Brand: Volvo	Serial: 1750500-1755000, 1760001-1765000	Group/Section: 222/150	Title: Oil filter ENGINE 11308622



Volvo Construction
Equipment
1032981

Pos	Part	Q1	Q2	Q3	Q4	Q5	PS	Kit	Description	Option(s)	Remark
1	VOE15053792	1							Oil filter housing		
2	VOE15053890	1							•Spring		
3	VOE15053887	1							•Valve		
4	VOE15053936	1							•Temperature sensor		
5	VOE20515173	1							•Gasket		
6	VOE21094611	1							•Plug		(VOE11715753)
7	VOE15053811	1							Gasket		
8	ZM2908513	2							Screw		
9	VOE15053897	1							Oil line		
10	ZM4074290	4							•Tube		
11	VOE13947281	8							•Gasket		
12	VOE11715272	1							Oil filter		

Date: 2013/11/5	Image id: 0000059	Catalogue: 20038	Model: L25B
Brand: Volvo	Serial: 1750500-1755000, 1760001-1765000	Group/Section: 223/100	Title: Oil cooler

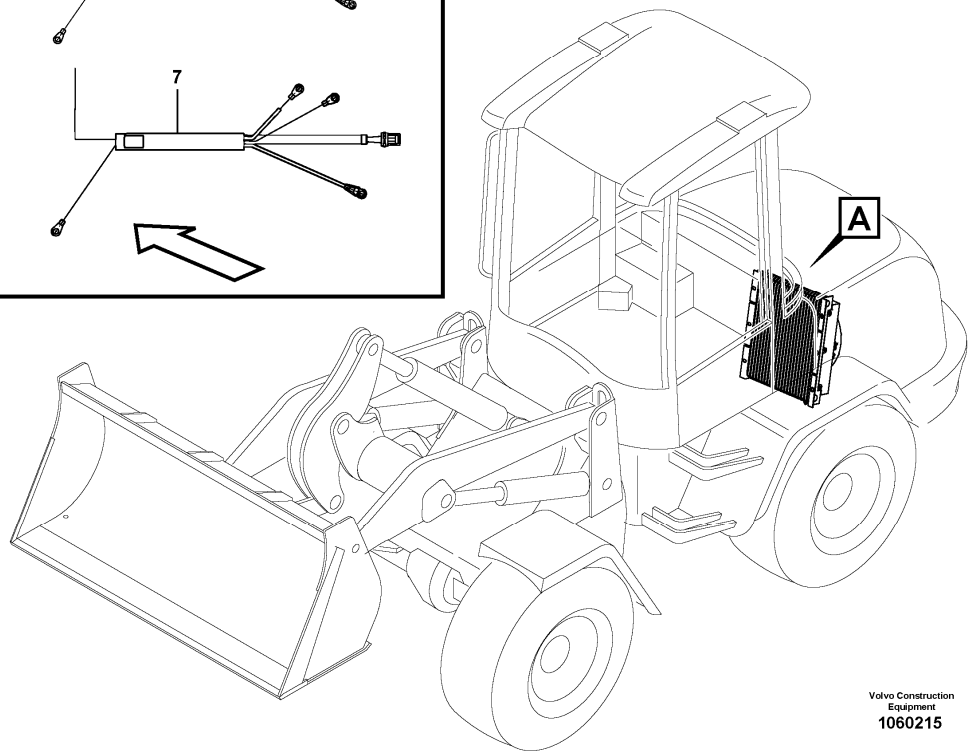
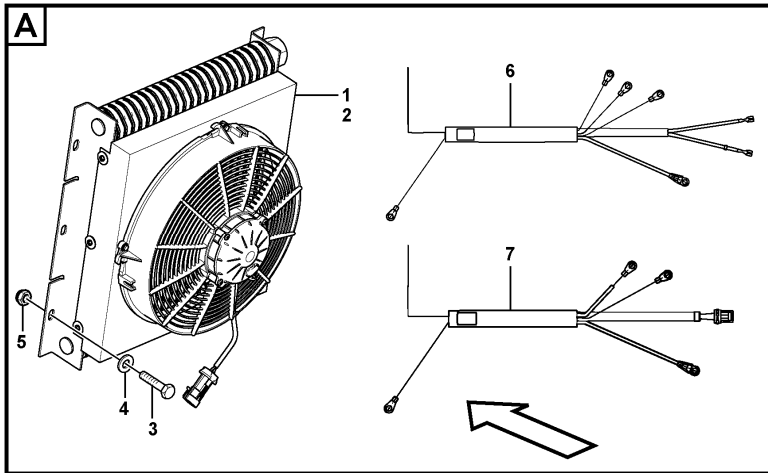


0000059

Q1-Q5	Option	Option description	
Q1 ENGINE 11306226			
Q2 ENGINE 11308622			
Q3 ENGINE 15211726			

Pos	Part	Q1	Q2	Q3	Q4	Q5	PS	Kit	Description	Option(s)	Remark
1	ZM2905358	1					SS		Oil cooler		
1	VOE11370616		1	1			SS		Oil cooler		
2	ZM2905359	1							•Sealing strip		
3	ZM2904123	2							Insert pipe		
3	VOE15053786		2	2					Plug		
4	ZM2904121	2	2	2					Screw		
5	ZM2908518	2							Screw		
5	VOE11370595		2	2					Torque screw		

Date: 2013/11/5	Image id: 1060215	Catalogue: 20038	Model: L25B
Brand: Volvo	Serial: 1750500-1755000, 1760001-1765000	Group/Section: 223/200	Title: Engine - oil cooler 15214266

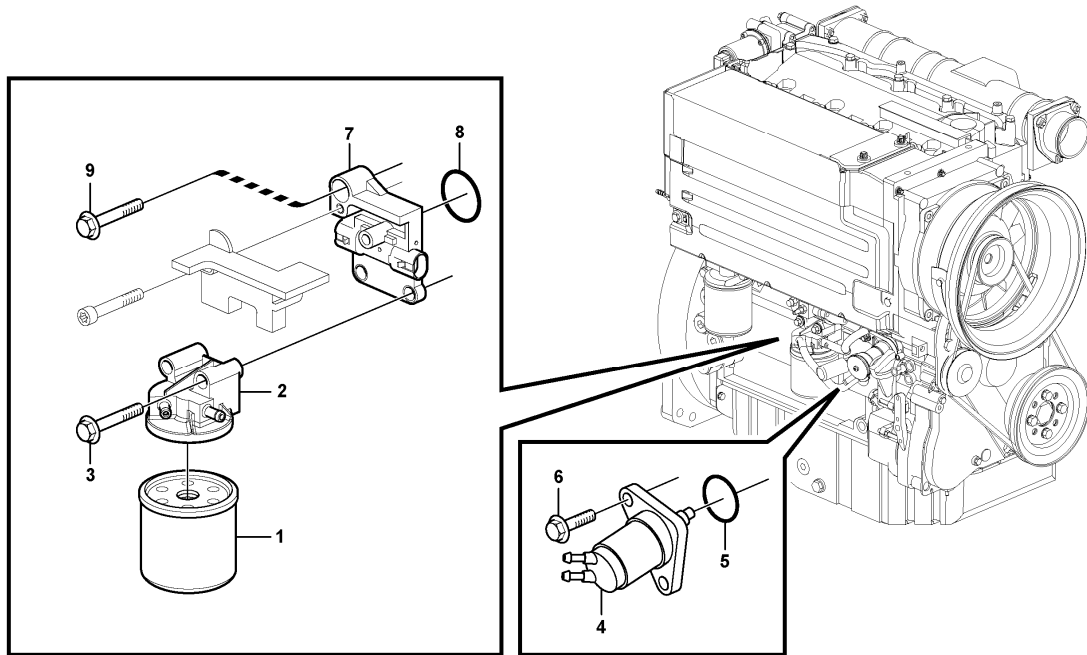


Volvo Construction
Equipment
1060215

Section option	Kit	Option description
VOE15214266		Oil cooler OIL COOLER KIT

Pos	Part	Q1	Q2	Q3	Q4	Q5	PS	Kit	Description	Option(s)	Remark
1	VOE15210041	1							Oil cooler		
2	ZM2810925	1							••Oil cooler		
3	VOE983250	4							••Hexagon screw		
4	VOE960148	8							••Washer		
5	ZM983304	1							••Electric wire, relay grou		
6	VOE2812824	1							••Cable harness		
7	VOE15210178	1							••Cable harness		

Date: 2013/11/5	Image id: 1044597	Catalogue: 20038	Model: L25B
Brand: Volvo	Serial: 1750500-1755000, 1760001-1765000	Group/Section: 233/100	Title: Fuel filter - Feed pump



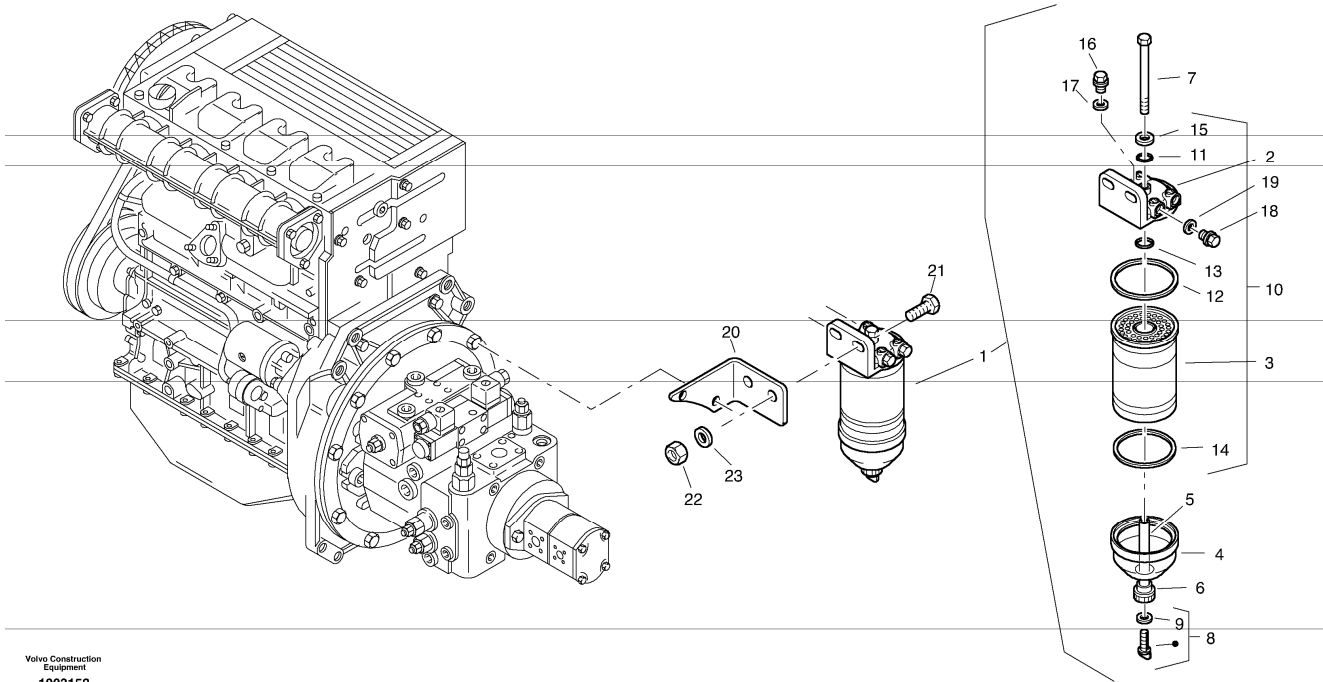
Volvo Construction
Equipment
1044597

Q1-Q5	Option	Option description	
Q1 ENGINE 11306226			
Q2 ENGINE 11308622			
Q3 ENGINE 15211726			

Pos	Part	Q1	Q2	Q3	Q4	Q5	PS	Kit	Description	Option(s)	Remark
1	ZM2905303	1	1	1					Filter		
2	ZM2904125	1	4	4					Bracket		
3	ZM2908513	2	2	2					Screw		
4	VOE15199189	1	1	1					Fuel pump		(VOE11370634)
5	ZM2290370	1	1	1					O-ring		
6	ZM2908512	2	2	2					Screw		
7	VOE15102683		1	1					Sensor		

8	VOE15106940		1	1					•O-ring		
9	VOE20405792		1	1					Screw		

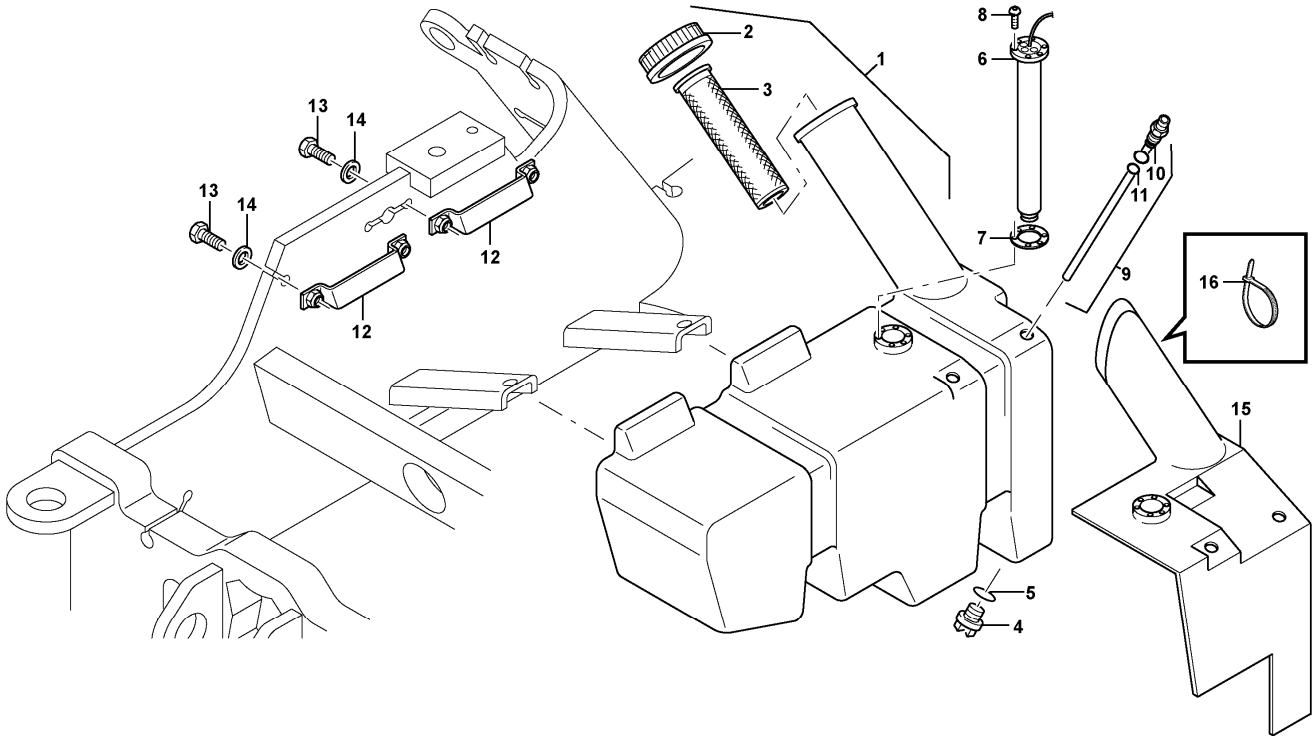
Date: 2013/11/5	Image id: 1003152	Catalogue: 20038	Model: L25B
Brand: Volvo	Serial: 1750500-1755000, 1760001-1765000	Group/Section: 233/200	Title: Filter - Water separator



Pos	Part	Q1	Q2	Q3	Q4	Q5	PS	Kit	Description	Option(s)	Remark
1	ZM2807872	1							Fuel filter		
2	ZM2905307	1					SS		•Filter head		
3	ZM2905298	1							•Filter cartridge		
4	ZM2905299	1							•Sight glass		
5	ZM2905300	1							•Knurled head screw		
6	VOE7242081	1							•Washer		(ZM2905301)
7	ZM2905302	1							•Screw		
8	VOE242595	1							•Plug		(ZM2905304)
9	ZM2910000	1							•Screw		
10	ZM2905306	1							•Gasket set, cpl.		
11	ZM2905308	1							••O-ring		
12	ZM2905309	1							••Gasket		
13	ZM2905310	1							••O-ring		
14	ZM2905311	1							••Gasket		
15	ZM2905312	1							••Washer		
16	ZM2905313	1							•Screw		
17	ZM2164940	1							•Seal		A10X14
18	ZM7099404	2							•Lock Plug		
19	ZM2905314	2							•Seal		

20	ZM2816411	1							Retainer		
21	VOE983251	2							Hexagon screw		M10X25
22	VOE976945	2							Washer		10,5X22X2
23	VOE983304	2							Hexagon nut		M10

Date: 2013/11/5	Image id: 1033650	Catalogue: 20038	Model: L25B
Brand: Volvo	Serial: 1750500-1755000, 1760001-1765000	Group/Section: 234/100	Title: Fuel tank

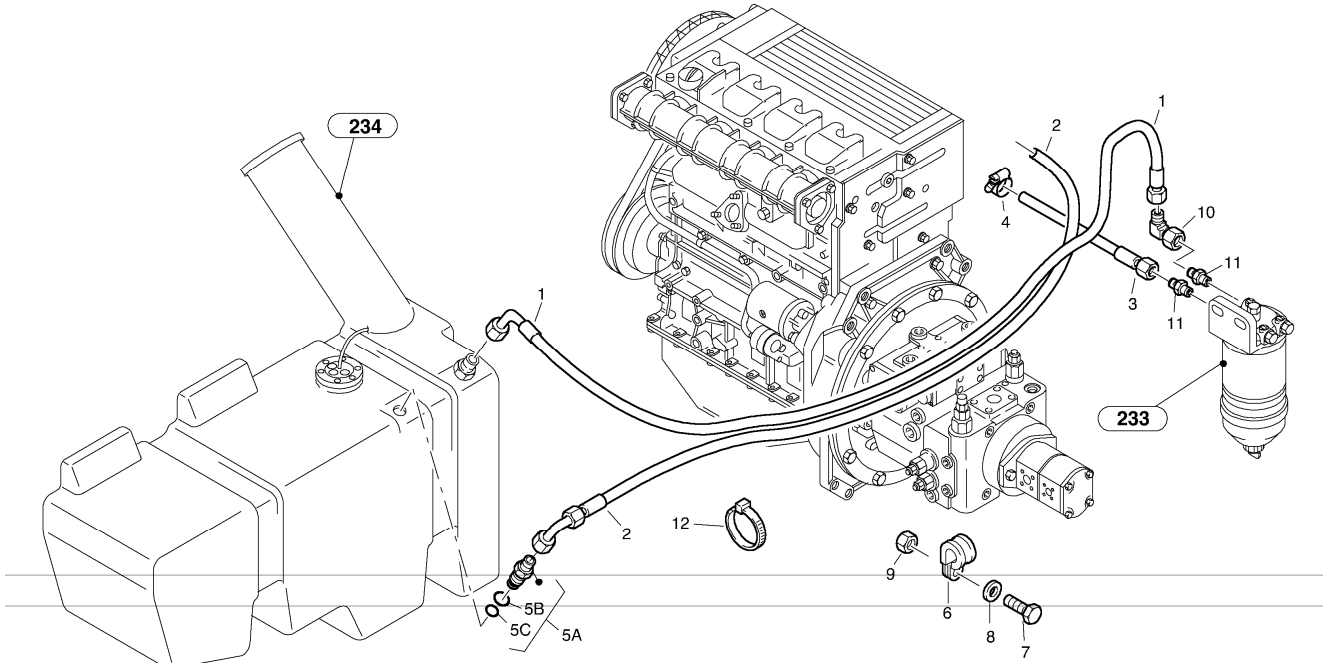


Volvo Construction
Equipment
1033650

Pos	Part	Q1	Q2	Q3	Q4	Q5	PS	Kit	Description	Option(s)	Remark
1	VOE11306053	1							Fuel tank		S/N - 1751710
1	VOE11308611	1							Fuel reservoir		S/N 1751711 -
2	VOE11370262	1							•Filler cap		
3	VOE11370263	1							•Fuel Strainer		
4	ZM7099428	1							•Screw plug		M18X1,5
5	ZM1086268	1							•O-ring		16X3
6	ZM2805649	1							Fuel level sensor		S/N-1753553 S/ N-1760045
6	VOE15214353	1							Fuel level sensor		(VOE15209075)S/N 1753554- S/N 1760046-
7	ZM2906069	1							•Gasket		
8	VOE11305438	6							Screw		M4X12 S/N-1753553 S/N-1760045
8	VOE969791	6							Six point socket		

								screw	
9	VOE11306081	1						Suction pipe	1750263-
10	VOE11370540	1						•O-ring	22x5,5
11	VOE11370541	1						•O-ring	14x5
12	VOE11305412	2						Retainer	
13	VOE983245	4						Hexagon screw	M8X40
14	VOE11117464	4						Washer	(VOE13960141) 8,4X22X2
15	VOE15203204	1						Damper mat	
16	ZM2809866	1						Cable tie	

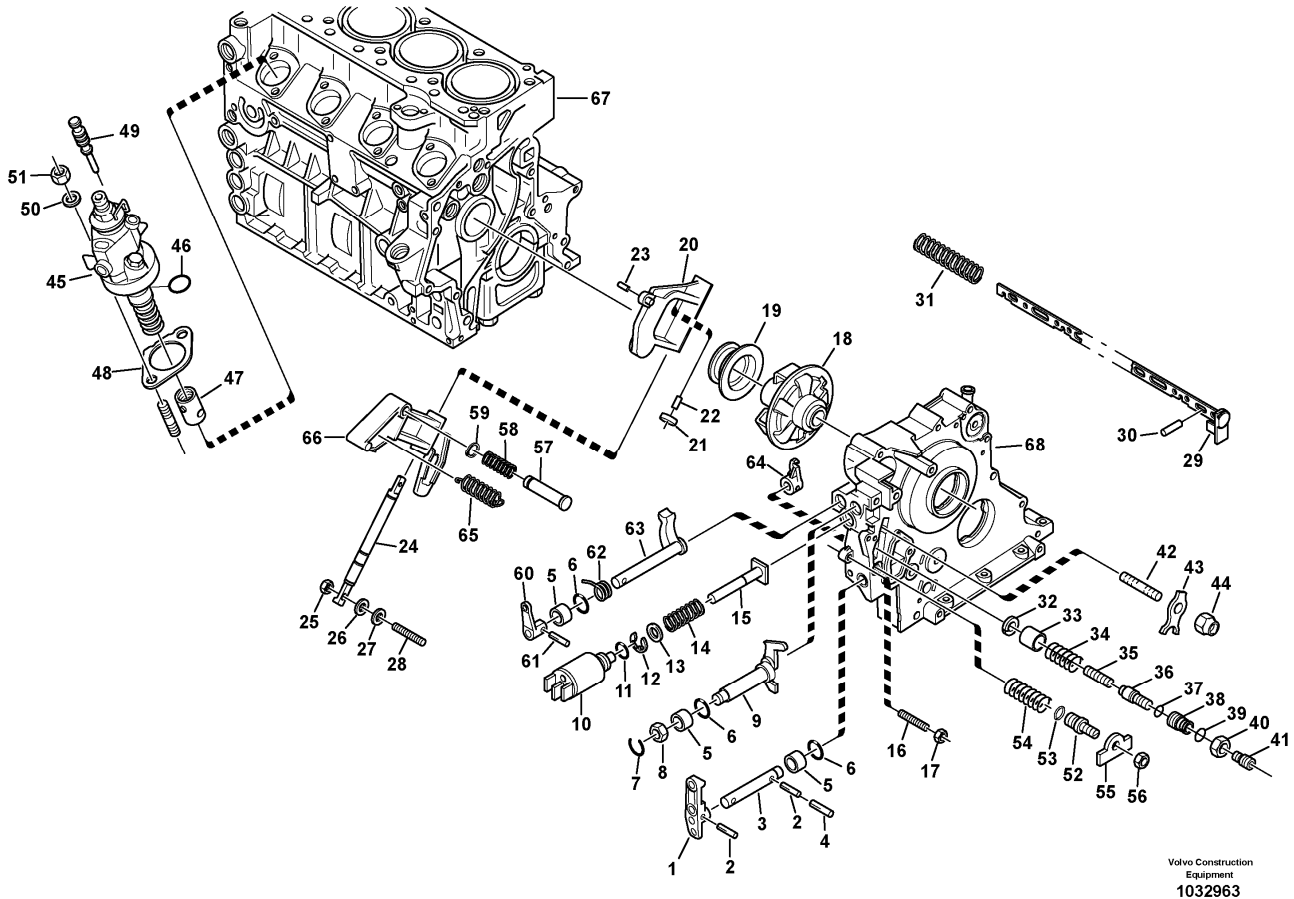
Date: 2013/11/5	Image id: 1008569	Catalogue: 20038	Model: L25B
Brand: Volvo	Serial: 1750500-1755000, 1760001-1765000	Group/Section: 235/100	Title: Fuel pipes



Volvo Construction
Equipment
1008569

Pos	Part	Q1	Q2	Q3	Q4	Q5	PS	Kit	Description	Option(s)	Remark
1	VOE11305405	1							Fuel hose		
2	VOE11305406	1							Fuel hose		
3	ZM2811483	1							Fuel hose		
4	VOE943470	1							Hose clamp		
5A	VOE11306079	1							Fitting		
5B	VOE11370540	1							•O-ring		22x5,5
5C	VOE11370541	1							•O-ring		14x5
6	VOE952634	1							Clamp		
7	VOE13948356	1							Flange screw		
8	VOE960139	1							Washer		
9	VOE983302	1							Hexagon nut		
10	VOE13945357	1							Elbow nipple		
11	VOE11306928	2							Stud		
12	VOE4881438	1							Cable tie		

Date: 2013/11/5	Image id: 1032963	Catalogue: 20038	Model: L25B
Brand: Volvo	Serial: 1750500-1755000, 1760001-1765000	Group/Section: 236/100	Title: Speed adjustment - Fuel injection pump



Volvo Construction
Equipment
1032963

Q1-Q5	Option	Option description	
Q1 ENGINE 11306226			
Q2 ENGINE 11308622			
Q3 ENGINE 15211726			

Pos	Part	Q1	Q2	Q3	Q4	Q5	PS	Kit	Description	Option(s)	Remark
1	ZM2904077	1	1	1					Lever		
2	ZM7099461	2	2	2					Clamping pin		
3	VOE11370655	1	1	1					Shaft		
4	VOE11370663	1	1	1					Clamping pin		
5	ZM2292251	3	3	3					Sleeve		
6	ZM2291459	3	3	3					O-ring		
7	VOE11370659	1	1	1					Clampring half		

8	VOE11715979	1	1	1					Lock nut		
9	VOE15047485	1	1	1					Intermediate arm		
10	VOE15185105	1	1	1					Solenoid		(ZM2905388)
11	ZM2904200	1	1	1					O-ring		
12	VOE11370650	1	1	1					Lock washer		
13	ZM4010230	1	1	1					Bracket		
14	VOE11370654	1	1	1					Compression spring		
15	VOE15047481	1	1	1					Drift plate		
16	VOE15051912	1	1	1					Set screw		(ZM2291466)M6X50
17	VOE20460939	2	2	2					Hexagon nut		M6
18	VOE15047487	1	1	1			SS		Centrifugal governor		
19	ZM2904079	1	1	1					Sleeve		
20	VOE15010089	1	1	1					Roller		
21	ZM2904081	2	2	2					Ball bearing		608-2Z
22	VOE11715759	2	2	2					Bolt		A8K6X20
23	ZM7098820	1	1	1					Pin		
24	ZM2904080	1	1	1					Axle		
25	VOE20460939	2	2	2					Hexagon nut		M6
26	ZM2291467	2	2	2					Washer		
27	ZM2291465	2	2	2					Washer		
28	VOE11370223	2	2	2					Stud		
29	VOE15038875	1	1	1					Connecting rod		
30	ZM2904085	1	1	1					Fixed pin		
31	ZM2290471	1	1	1					Pressure spring		
	VOE15053945	1	1	1					Nipple		
32		1	1	1			NS		•Snap Ring		14X1
33		1	1	1			NS		•Stop		
34		1	1	1			NS		•Pressure spring		
35		1	1	1			NS		•Screw		
36		1	1	1			NS		•Screw		
37		1	1	1			NS		•Sealing ring		
38		1	1	1			NS		•Adjusting screw		
39		1	1	1			NS		•Sealing ring		
40		1	1	1			NS		•Nut		
41		1	1	1			NS		•Screw		
42	VOE11370248	1	1	1					Stud		
43	ZM2291472	1	1	1					Claw		
44	VOE11370246	1	1	1					Hexagon nut		
45	VOE20944599	REQ							Fuel pump		(VOE11715440)Class A
45	VOE20944602	REQ							Fuel pump		(VOE11715441)Class B
45	VOE20944603	REQ							Fuel pump		(VOE11715442)Class C
45	VOE20944605	REQ							Fuel pump		(VOE11715443)Class D
45	VOE15053389		REQ	REQ					Injection pump		CLASS A
45	VOE15053558		REQ	REQ					Injection pump		CLASS B
45	VOE15053602		REQ	REQ					Injection pump		CLASS C
45	VOE15053616		REQ	REQ					Injection pump		CLASS D

46	VOE15168954		1	1					•O-ring		(VOE15053637)
47	VOE11370629	4							Cam roller		
47	VOE15184831		4	4					Roller		(VOE15053391)
48	ZM2904128	REQ							Balancer gasket		THICK = 0,35 MM
48	VOE11715911	REQ							Gasket		THICK = 0,40 MM
48	ZM2904129	REQ							Balancer gasket		THICK = 0,45 MM
48	VOE11715912	REQ							Gasket		THICK = 0,50 MM
48	ZM2904130	REQ							Balancer gasket		THICK = 0,55 MM
48	VOE11715913	REQ							Gasket		THICK = 0,60 MM
48	ZM2904131	REQ							Balancer gasket		THICK = 0,65 MM
48	VOE11715914	REQ							Gasket		THICK = 0,70 MM
48	ZM2904132	REQ							Balancer gasket		THICK = 0,75 MM
48	VOE11715915	REQ							Gasket		THICK = 0,80 MM
48	ZM2904133	REQ							Balancer gasket		THICK = 0,85 MM
48	VOE11370625	REQ							Gasket		THICK = 0,90 MM
48	ZM2904134	REQ							Balancer gasket		THICK = 0,95 MM
48	VOE11370626	REQ							Gasket		THICK = 1,00 MM
48	VOE15184828		REQ	REQ					Shim		(VOE15053250)THICK = 0,35 MM
48	VOE15053251		REQ	REQ					Shim		THICK = 0,40 MM
48	VOE15052910		REQ	REQ					Shim		THICK = 0,45 MM
48	VOE15053252		REQ	REQ					Shim		THICK = 0,50 MM
48	VOE15052916		REQ	REQ					Shim		THICK = 0,55 MM
48	VOE15053223		REQ	REQ					Shim		THICK = 0,60 MM
48	VOE15053230		REQ	REQ					Shim		THICK = 0,65 MM
48	VOE15053231		REQ	REQ					Shim		THICK = 0,70 MM
48	VOE15053232		REQ	REQ					Shim		THICK = 0,75 MM
48	VOE15053235		REQ	REQ					Shim		THICK = 0,80 MM
48	VOE15053236		REQ	REQ					Shim		THICK = 0,85 MM
48	VOE15053237		REQ	REQ					Shim		THICK = 0,90 MM
48	VOE15053244		REQ	REQ					Shim		THICK = 0,95 MM
48	VOE15053248		REQ	REQ					Shim		THICK = 1,00 MM
48	VOE17209793		REQ	REQ					Shim		(VOE15053255)THICK = 1,05 MM
48	VOE15053257		REQ	REQ					Shim		THICK = 1,10 MM
48	VOE15053260		REQ	REQ					Shim		THICK = 1,15 MM
49	ZM2904135	4							Plug		
49	VOE15053809		4	4					Plug		
50	VOE20405802	8	8	8					Washer		
51	VOE20405733	8	8	8					Hexagon nut		M8
52	VOE11715890	1	1	1					Cap		
53	ZM2905365	1	1	1					•O-ring		
54	VOE11715774	1	1	1					•Compression spring		
55	ZM2905366	1	1	1					•Washer		
56	VOE11370246	1	1	1					•Hexagon nut		
57	VOE11370259	1	1	1					Stop pin		



Suggest:

For more complete manuals. Please go to the home page.

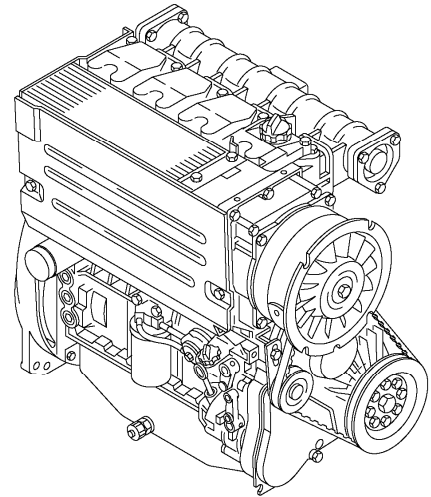
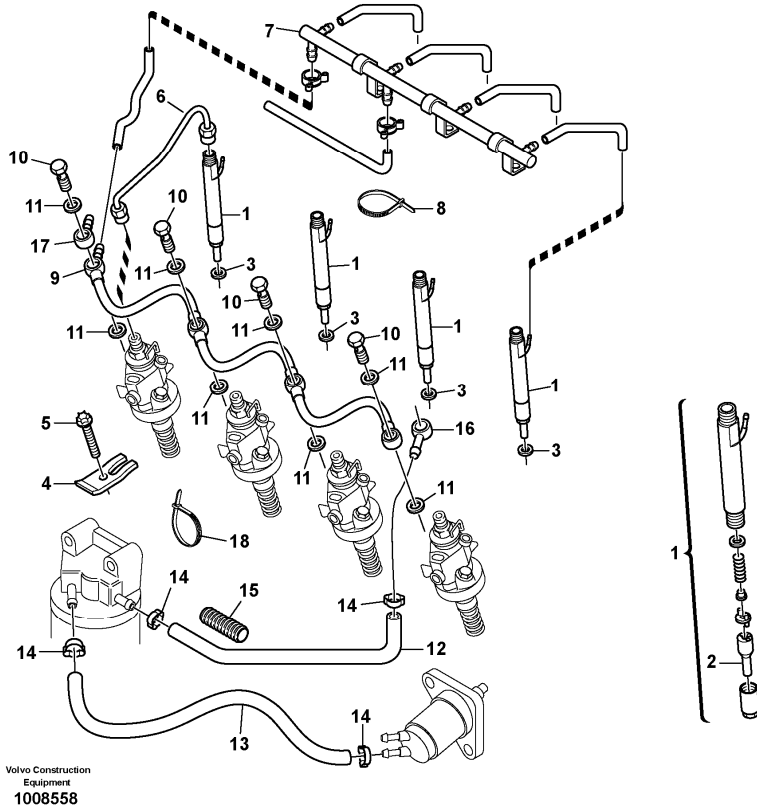
<https://www.ebooklibonline.com>

If the above button click is invalid. Please download this document first, and then click the above link to download the complete manual.

Thank you so much for reading

58	VOE11716467	1	1	1					Compression spring		(VOE11370260)
59	VOE11370261	1	1	1					Retaining ring		
60	VOE11370646	1	1	1					Hand lever		
61	VOE20450628	1	1	1					Pin		
62	VOE11370723	1	1	1					Torsion spring		
63	VOE15179234	1	1	1					Shaft		(VOE15038908)
64	ZM2900507	1	1	1					Lever		
65	VOE15029500	1	1	1					Tension spring		
66	VOE11370647	1	1	1					Hand lever		
67		1	1	1					Crankcase, cpl.		See ref 212/100
68		1	1	1					Front cover		See ref 215/200

Date: 2013/11/5	Image id: 1008558	Catalogue: 20038	Model: L25B
Brand: Volvo	Serial: 1750500-1755000, 1760001-1765000	Group/Section: 237/100	Title: Injection pipes, Injection valve ENGINE 11306226



Pos	Part	Q1	Q2	Q3	Q4	Q5	PS	Kit	Description	Option(s)	Remark
1	VOE11370638	4							Injection valve		
2	VOE11370630	4							•Nozzle		
3	VOE11370635	4							Sealing ring		
4	VOE11370617	4							Claw		
5	VOE20405885	4							Screw		M8x20
6	VOE11370632	4					SS		Pipe		
7	VOE11370196	1							Overflow pipe		
8	ZM2905336	1							Holder ribbon		
9	VOE11370631	1					SS		Fuel pipe		
10	VOE20460936	4							•Hollow screw		
11	VOE11370245	8							•Sealing washer		
12	VOE11370660	1							Rubber hose		
13	ZM2908264	REQ							Rubber hose		125 mm
14	VOE20914426	4							Hose Clamp		(ZM2904147)

<https://www.ebooklibonline.com>

Hello dear friend!

Thank you very much for reading.

Enter the link into your browser.

The full manual is available for immediate download.

<https://www.ebooklibonline.com>