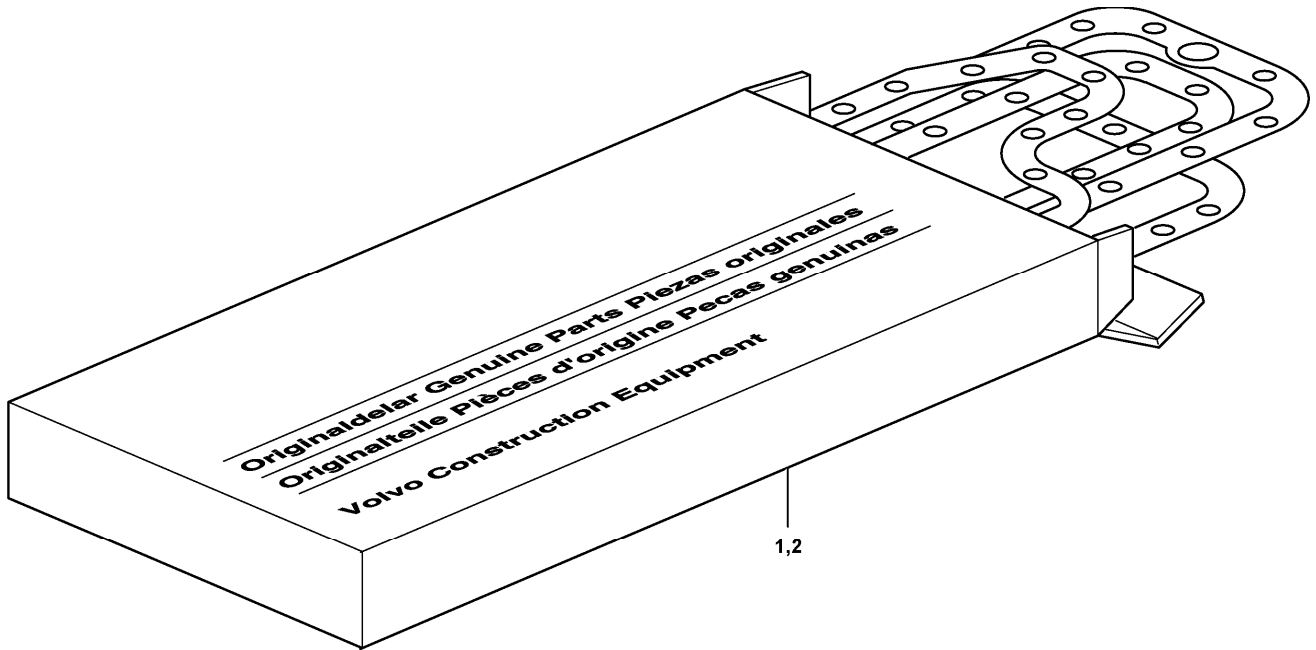


Date: <b>2013/11/4</b>	Image id: <b>1020245</b>	Catalogue: <b>20576</b>	Model: <b>L20F</b>
Brand: <b>Volvo</b>	Serial: <b>1705001-</b>	Group/Section: <b>210/50</b>	Title: <b>Repair kits for engine</b>

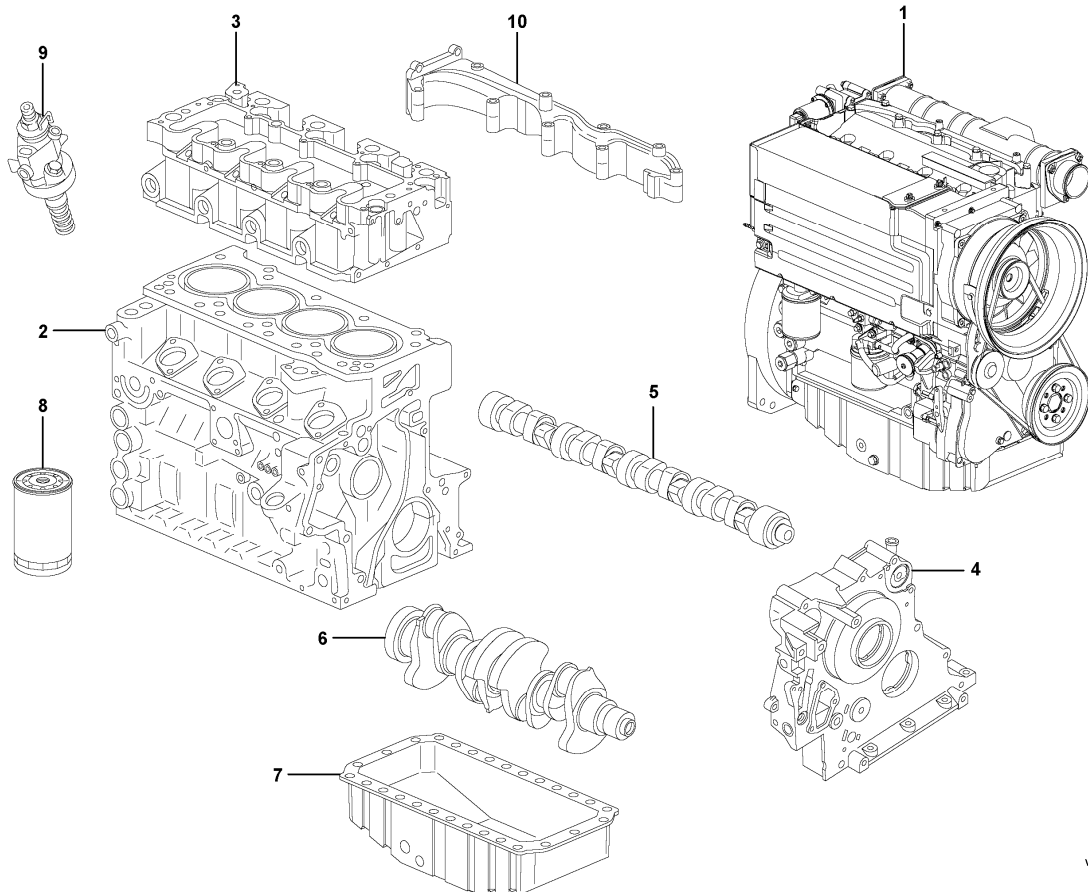


Volvo Construction  
Equipment  
1020245

Section option	Kit	Option description
VOE15211725		Engine L20F

Pos	Part	Q1	Q2	Q3	Q4	Q5	PS	Kit	Description	Option(s)	Remark
1	VOE11370599	1							Sealing kit		
2	ZM2906908	1					SS		Cyl Head Kit		

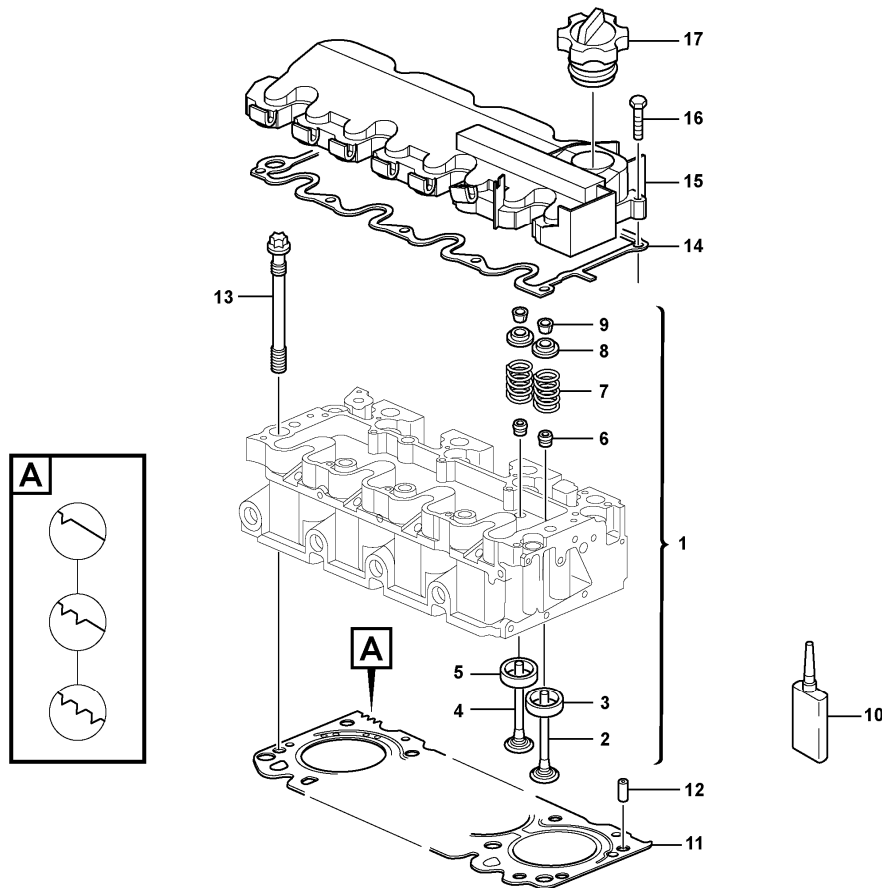
Date: <b>2013/11/4</b>	Image id: <b>1056598</b>	Catalogue: <b>20576</b>	Model: <b>L20F</b>
Brand: <b>Volvo</b>	Serial: <b>1705001-</b>	Group/Section: <b>210/100</b>	Title: <b>Engine</b>



Volvo Construction  
Equipment  
1056598

Pos	Part	Q1	Q2	Q3	Q4	Q5	PS	Kit	Description	Option(s)	Remark
1	VOE15211725	1							Engine		
2		1							•Cylinder block		See ref 212/100
3		1							•Cylinder head		See ref 211/100
4		1							•Timing gear casing		See ref 215/200
5		1							•Camshaft		See ref 215/100
6		1							•Crankshaft		See ref 216/100
7		1							•Oil sump		See ref 217/100
8		1							•Oil Filter		See ref 222/100
9		1							•Injector		See ref 236/100
10		1							•Inlet, exhaust syst.		See ref 251/100

Date: <b>2013/11/4</b>	Image id: <b>1056377</b>	Catalogue: <b>20576</b>	Model: <b>L20F</b>
Brand: <b>Volvo</b>	Serial: <b>1705001-</b>	Group/Section: <b>211/100</b>	Title: <b>Cylinder head</b>



Volvo Construction  
Equipment  
1056377

Section option	Kit	Option description
VOE15211725		Engine L20F

Pos	Part	Q1	Q2	Q3	Q4	Q5	PS	Kit	Description	Option(s)	Remark
1	VOE15052804	1							Cylinder head		
2	ZM2908491	4							•Inlet valve		
3	VOE15052903	4							•Valve seat		
4	ZM2908492	4							•Exhaust Valve		
5	VOE15052901	4							•Valve seat		
6	VOE20459855	8							•Valve seal		(ZM2904368)
7	ZM2904091	8							•Pressure spring		
8	VOE15053220	8							•Washer		
9	VOE20459857	16							•Valve sleeve		
10	ZM2903912	REQ					OP		Locking agent		
11	VOE15052907	REQ							Cylinder head gasket		

**<https://www.ebooklibonline.com>**

Hello dear friend!

Thank you very much for reading.

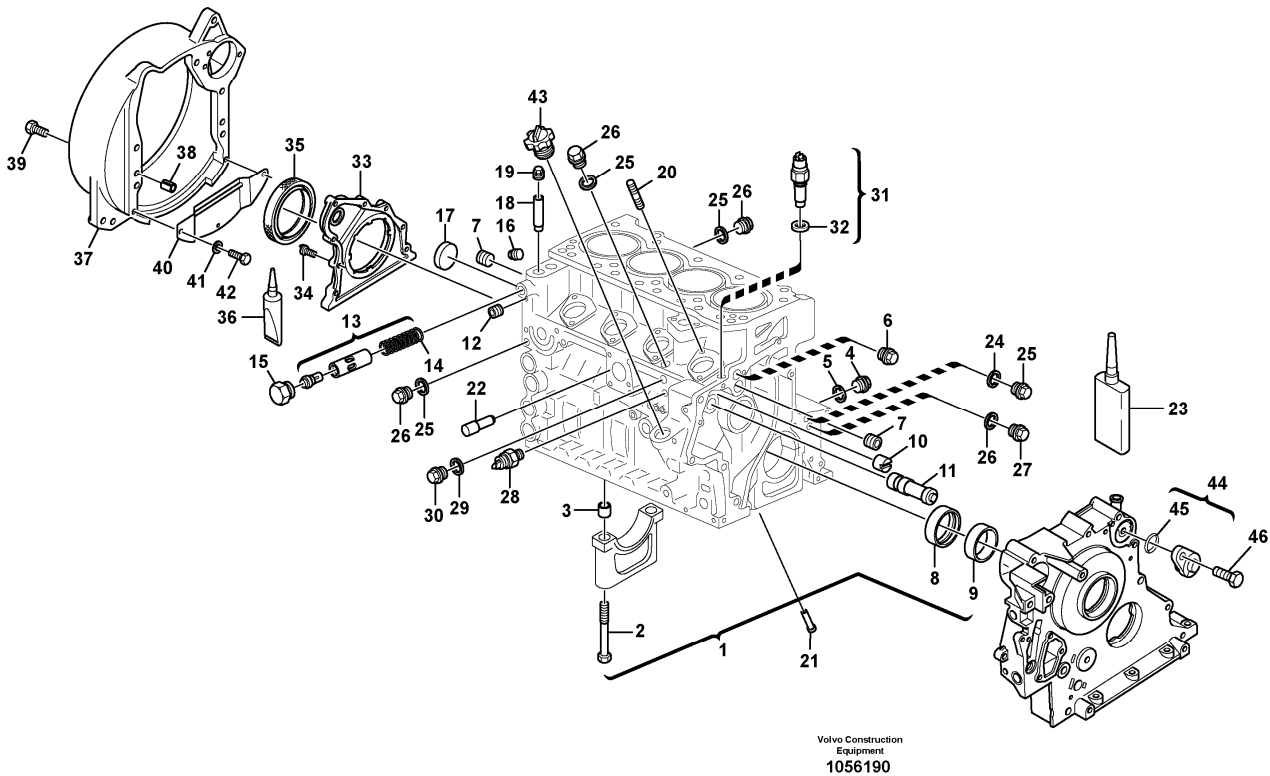
Enter the link into your browser.

The full manual is available for immediate download.

**<https://www.ebooklibonline.com>**

11	VOE15052909	REQ							Cylinder head gasket		
11	VOE15052899	REQ							Cylinder head gasket		
12	VOE21033924	2							Guide pin		(ZM2904093)
13	ZM2904092	10							Cylinder head screw		
14	VOE15153288	1							Gasket		
15	VOE11370139	1							Valve cover		
16	ZM2908485	10							Screw		M6X30
17	ZM2904064	1							Filler cap		

Date: <b>2013/11/4</b>	Image id: <b>1056190</b>	Catalogue: <b>20576</b>	Model: <b>L20F</b>
Brand: <b>Volvo</b>	Serial: <b>1705001-</b>	Group/Section: <b>212/100</b>	Title: <b>Engine housing</b>

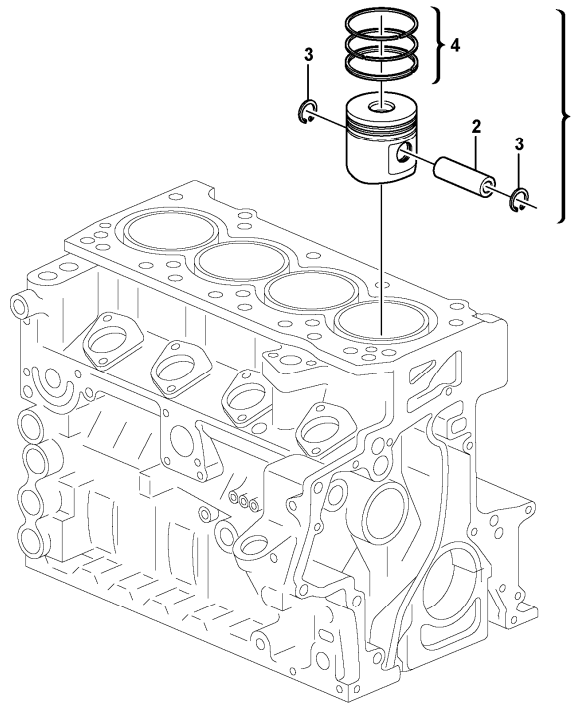


Section option	Kit	Option description
VOE15211725		Engine L20F

Pos	Part	Q1	Q2	Q3	Q4	Q5	PS	Kit	Description	Option(s)	Remark
1	VOE15075766	1							Block		
2	ZM2290540	8							•Hexagon screw		
3	ZM4010300	8							•Bushing		
4	VOE20459941	1							•Plug		
5	VOE20460061	1							•Sealing ring		
6	ZM2904050	1							•Screw plug		
7	ZM2908480	2							•Screw plug		
8	ZM2904048	2							•Bearing bush		
9	VOE20795762	3							•Bearing Bushing		
10	VOE15053296	2							•Guide sleeve		
11	VOE15053810	1							•Plug		
12	VOE2905340	1							•Screw plug		

13	ZM2904169	1							•Thermostat		
14	ZM2904053	1							••Pressure spring		
15	ZM2905345	1							•Screw plug		
16	ZM20405718	1							•Screw plug		
17	VOE11370179	1							•Cover		
18	ZM2904051	1							•Tube		
19	ZM2905344	1							•Screw plug		
20	VOE11715739	8							•Stud		
21	ZM2904056	8							•Piston cooling jet		
22	ZM2904057	1							•Pin		
23	ZM2903912	REQ					OP		Locking agent		
24	VOE11700631	4							Sealing ring		
25	VOE960628	4							Plug		
26	VOE13947624	1							Plane gasket		
27	VOE20405506	1							Plug		
28	ZM2905379	1							Oil pressure switch		SE-B07
29	VOE13947624	1							Plane gasket		
30	VOE20799217	1							Plug		
31	VOE15054496	1							Sensor		SE-B06
32	VOE15051423	1							•Sealing ring		
33	VOE11715813	1							Cover		
34	ZM2290455	8							Screw		M8x30
35	ZM2292220	1							Radial seal		
36	ZM4084070	REQ							Sealant		
37	ZM2905335	1							Intermediate housing		
38	ZM2290547	2							Bushing		
39	VOE20554683	4							Screw		
40	ZM2290561	1							Cover plate		
41	VOE973494	3							Washer		(VOE20459183)
42	VOE20459986	3							Screw		
43	ZM2904064	1							Filler cap		
44	ZM2904065	1							Valve		
45	ZM2904066	1							•O-ring		
46	VOE11370258	1							Hexagon screw		

Date: <b>2013/11/4</b>	Image id: <b>1056226</b>	Catalogue: <b>20576</b>	Model: <b>L20F</b>
Brand: <b>Volvo</b>	Serial: <b>1705001-</b>	Group/Section: <b>213/100</b>	Title: <b>Piston</b>

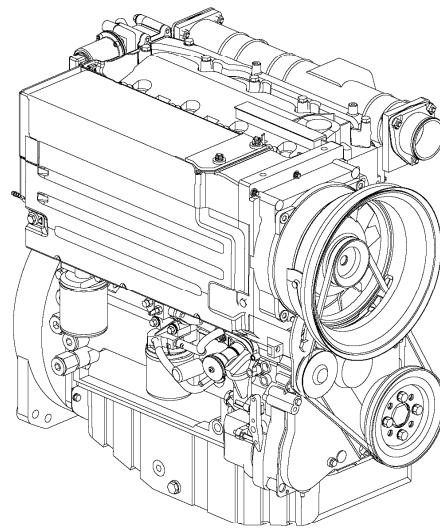
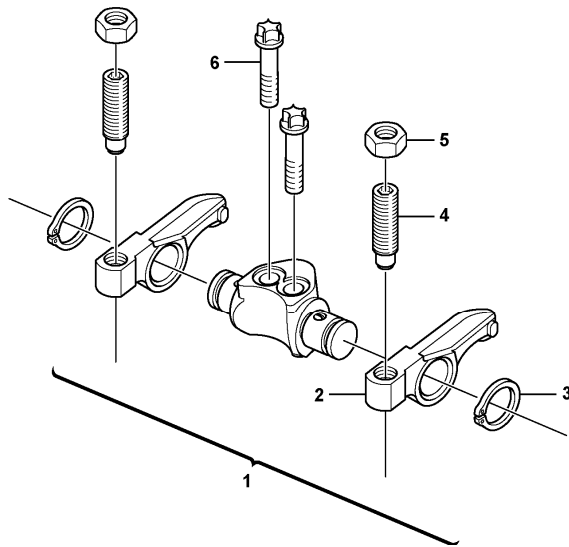


Volvo Construction  
Equipment  
1056226

Pos	Part	Q1	Q2	Q3	Q4	Q5	PS	Kit	Description	Option(s)	Remark
1	VOE15052788	4							Piston		See footnote 3735)
2	VOE11715530	1							•Bolt		
3	VOE11715531	2							•Retaining ring		
4	VOE15053376	1							•Piston ring kit		

3735) Compression class A

Date: <b>2013/11/4</b>	Image id: <b>1056336</b>	Catalogue: <b>20576</b>	Model: <b>L20F</b>
Brand: <b>Volvo</b>	Serial: <b>1705001-</b>	Group/Section: <b>214/100</b>	Title: <b>Valve mechanism</b>

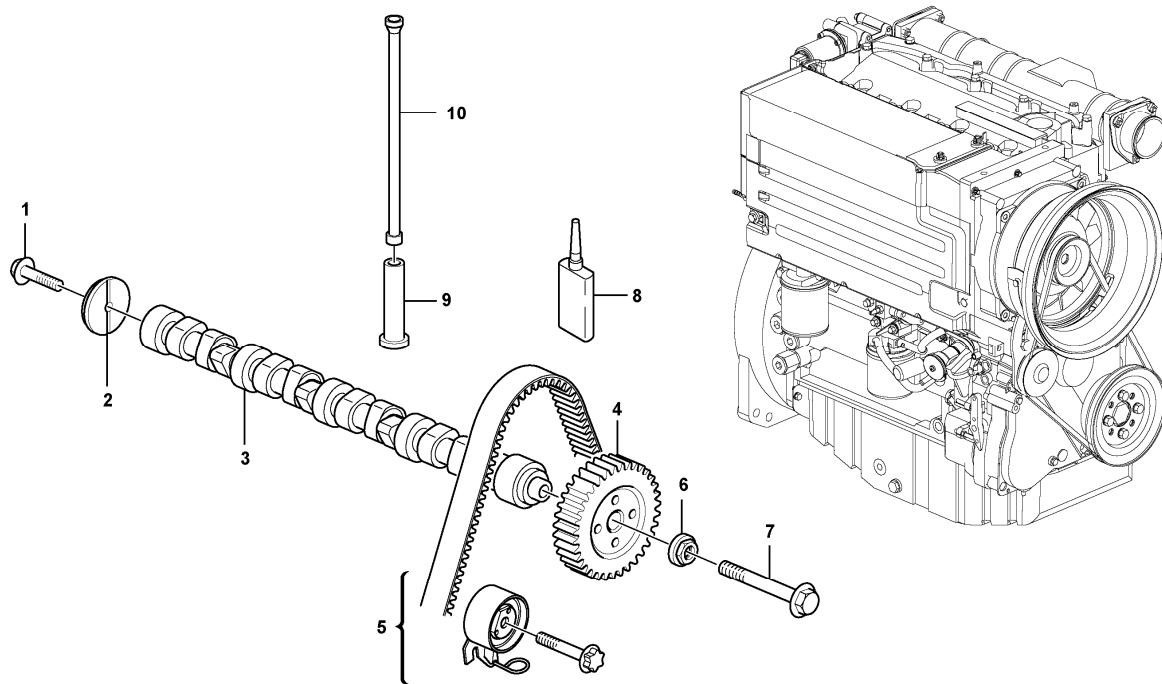


Volvo Construction  
Equipment  
1056336

Section option	Kit	Option description
VOE15211725		Engine L20F

Pos	Part	Q1	Q2	Q3	Q4	Q5	PS	Kit	Description	Option(s)	Remark
1	ZM2290529	4							Valve support	rocker	
2	ZM2290526	2							•Rocker Arm		
3	ZM7094952	2							•Safety ring		18X1,2
4	ZM2290527	2							•Adjusting screw		
5	VOE11700373	2							•Nut		
6	VOE20459853	8							Screw		

Date: <b>2013/11/4</b>	Image id: <b>1056478</b>	Catalogue: <b>20576</b>	Model: <b>L20F</b>
Brand: <b>Volvo</b>	Serial: <b>1705001-</b>	Group/Section: <b>215/100</b>	Title: <b>Camshaft</b>

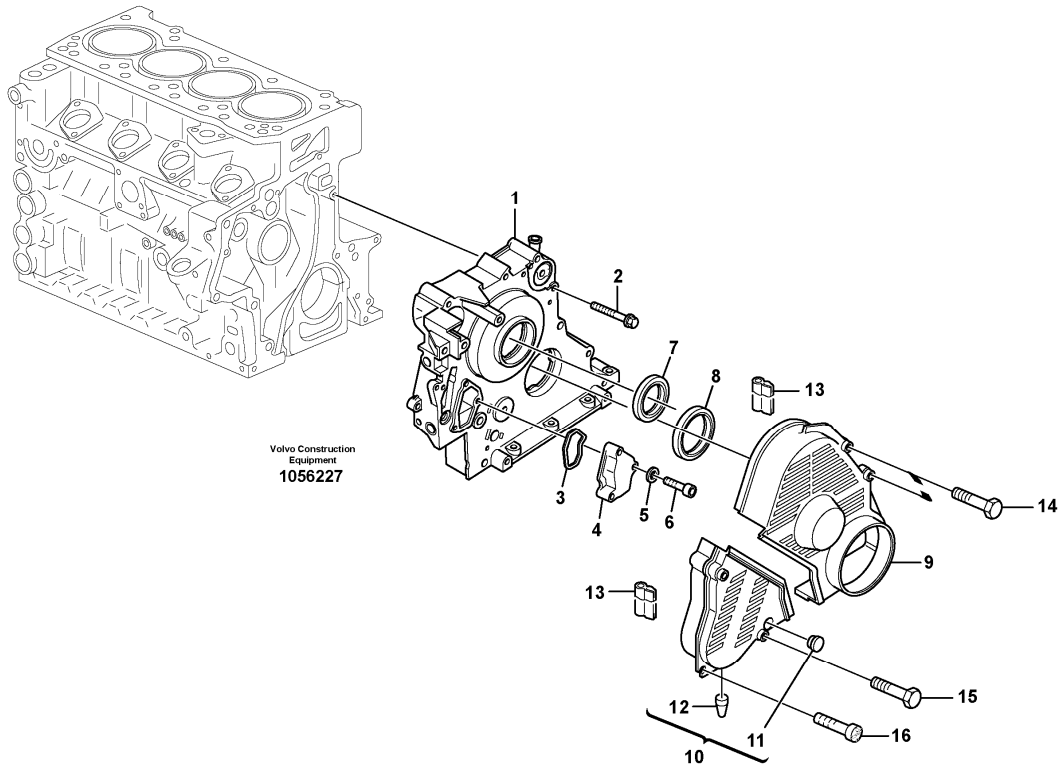


Volvo Construction  
Equipment  
1056478

Section option	Kit	Option description
VOE15211725		Engine L20F

Pos	Part	Q1	Q2	Q3	Q4	Q5	PS	Kit	Description	Option(s)	Remark
1	VOE20556888	1							Hexagon screw		
2	ZM2290517	1							Spacer disc		
3	VOE15053308	1							Camshaft		
4	VOE15053819	1							Camshaft gear		
5	VOE20945013	1							Repair Kit		
6	ZM2290522	1							Washer		
7	VOE20797281	1							Hexagon screw		
8	ZM4084070	REQ							Sealant		
9	ZM2904101	8							Valve tappet		
10	VOE15053292	8							Push rod		

Date: <b>2013/11/4</b>	Image id: <b>1056227</b>	Catalogue: <b>20576</b>	Model: <b>L20F</b>
Brand: <b>Volvo</b>	Serial: <b>1705001-</b>	Group/Section: <b>215/200</b>	Title: <b>Timing gear housing (front cover)</b>



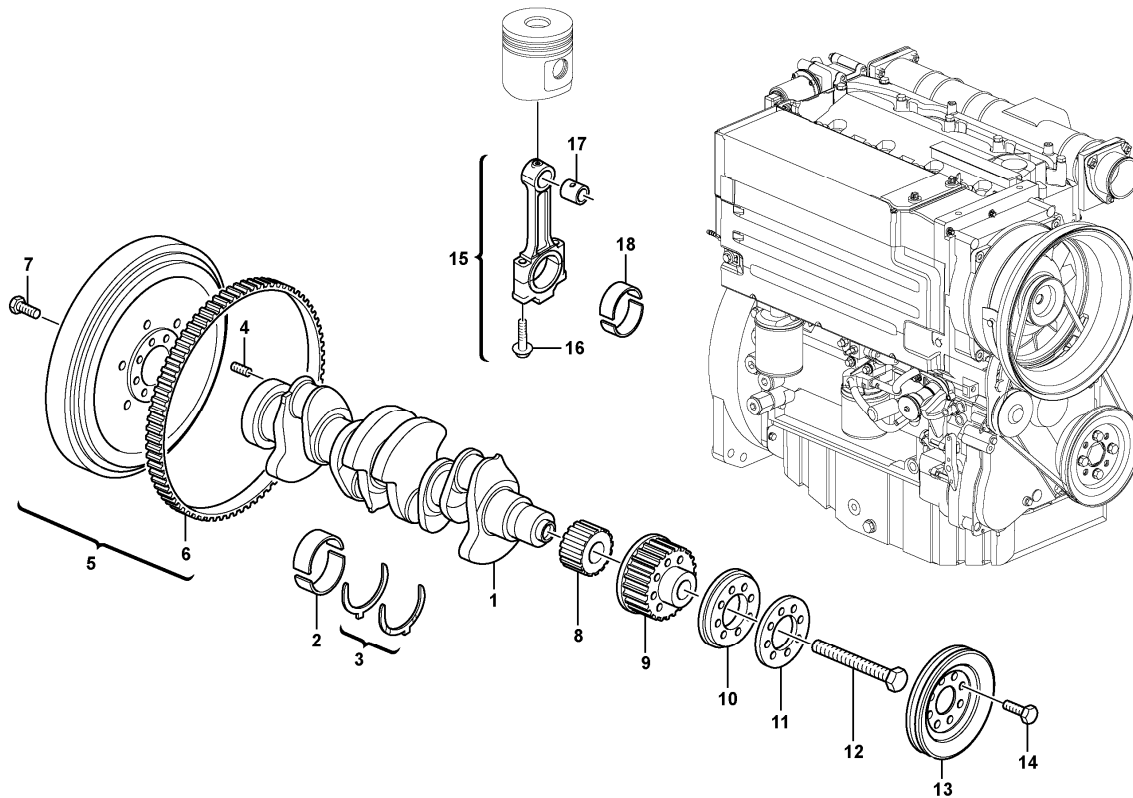
Section option	Kit	Option description
VOE15211725		Engine L20F

Pos	Part	Q1	Q2	Q3	Q4	Q5	PS	Kit	Description	Option(s)	Remark
1	VOE11370643	1							Cover		
2	ZM2908498	12							Screw		
3	ZM2904068	1							Profil gasket		
4	ZM2904070	1							Cover		
5	VOE20459074	3							Washer		(VOE11700497)
6	VOE11370253	3							Screw		
7	ZM2291470	1							Seal		
8	ZM2290458	1							Seal		
9	VOE11715748	1							Protecting casing		See footnote 1415)
10	VOE11715749	1							Protecting casing		
11	ZM2904072	1							•Plug		
12	VOE11370190	1							•Rubber sleeve		

13	VOE11370596	REQ							Sealing moulding		
14	VOE11370191	3							Hexagon screw		
15	VOE11370192	2							Hexagon screw		
16	VOE20460068	1							Screw		

1415) not by auxiliary pump

Date: <b>2013/11/4</b>	Image id: <b>1056367</b>	Catalogue: <b>20576</b>	Model: <b>L20F</b>
Brand: <b>Volvo</b>	Serial: <b>1705001-</b>	Group/Section: <b>216/100</b>	Title: <b>Crankshaft</b>



Volvo Construction  
Equipment  
1056367

Section option	Kit	Option description
VOE15211725		Engine L20F

Pos	Part	Q1	Q2	Q3	Q4	Q5	PS	Kit	Description	Option(s)	Remark
1	VOE15053306	1							Crankshaft		
2	ZM2290400	5							•Crankshaft bearing		70,00 MM
3	VOE20944762	1							•Thrust Washer		2,40 MM
4	ZM2904375	1							Thread Insert		
5	ZM2908532	1							Flywheel		
6	ZM2908533	1							•Gear ring		
7	ZM2290407	8							Screw		
8	ZM2290408	1							Toothed belt wheel		
9	ZM2290409	1							Toothed belt wheel		
10	VOE11370230	1							Spacer		
11	VOE11370135	1							Deflector		
12	ZM2290411	1							Screw		(VOE11715741)

13	ZM2905385	1							V-belt pulley		
14	ZM2908482	8							Screw		(ZM2900545)
15	VOE15053277	4							Connecting rod		
16	VOE15053932	8							•Screw		
17	ZM2290431	4							•Bushing		STD
17	ZM2900544	4							•Bushing		O SZ 33,22-33,36
18	VOE15186588	4							•Big-end Bearing kit		(VOE15053863)



**Suggest:**

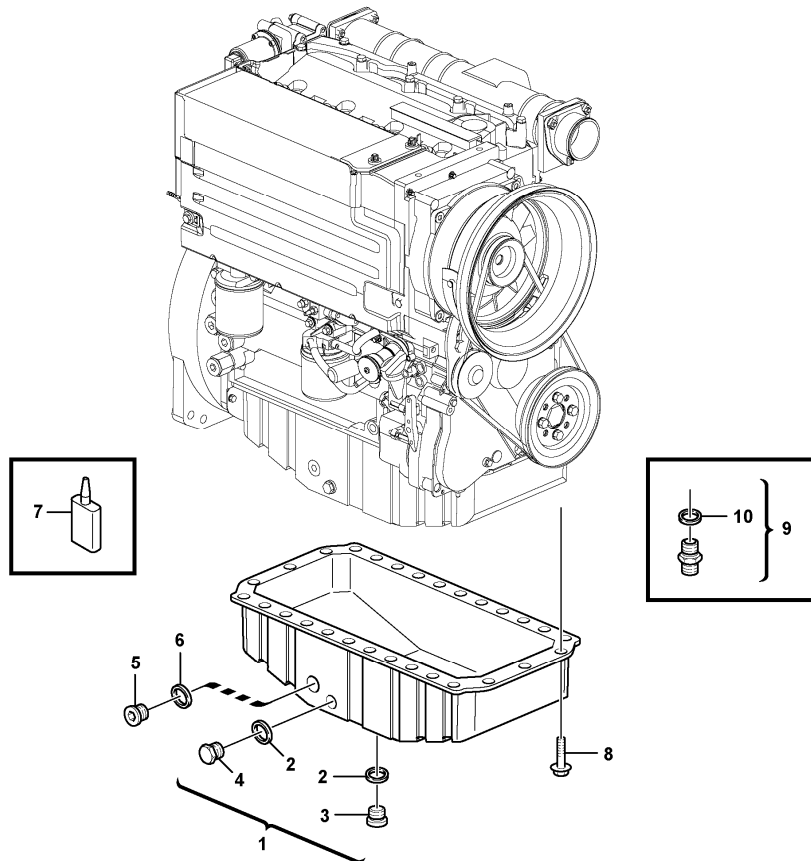
**For more complete manuals. Please go to the home page.**

**<https://www.ebooklibonline.com>**

**If the above button click is invalid. Please download this document first, and then click the above link to download the complete manual.**

**Thank you so much for reading**

Date: <b>2013/11/4</b>	Image id: <b>1056237</b>	Catalogue: <b>20576</b>	Model: <b>L20F</b>
Brand: <b>Volvo</b>	Serial: <b>1705001-</b>	Group/Section: <b>217/100</b>	Title: <b>Oil sump</b>

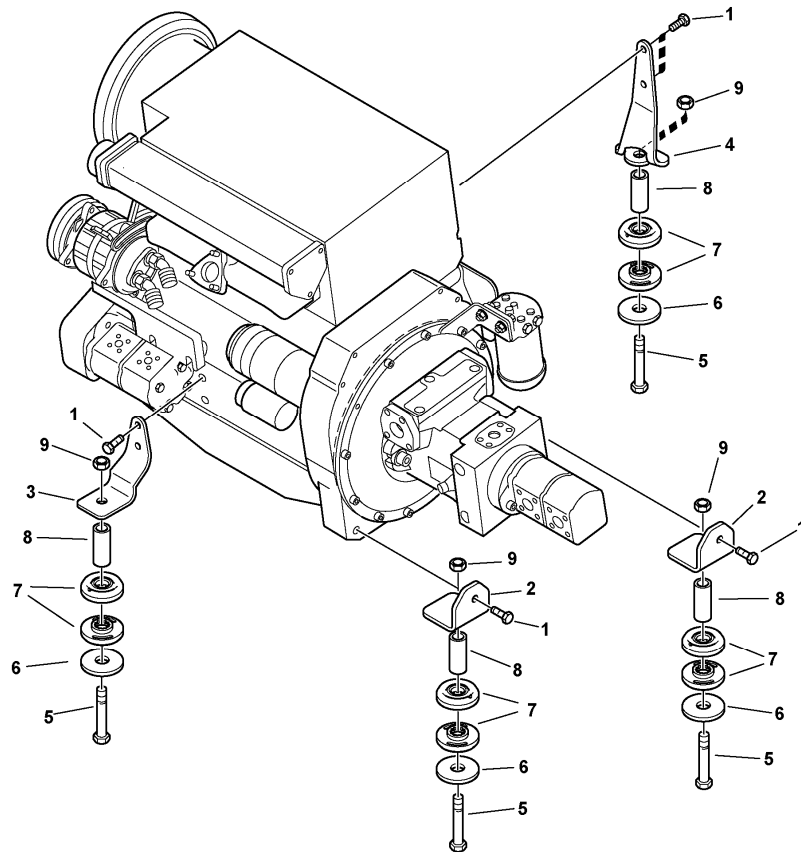


Volvo Construction  
Equipment  
1056237

Section option	Kit	Option description
VOE15211725		Engine L20F

Pos	Part	Q1	Q2	Q3	Q4	Q5	PS	Kit	Description	Option(s)	Remark
1	VOE11370134	1							Oil pan		
2	VOE13947624	2							•Plane gasket		
3	VOE20450891	1							•Plug		M18X1,5
4	VOE20405506	1							•Plug		
5	VOE20460024	1							Plug		
6	VOE20460026	1							Sealing ring		(ZM7099523)
7	ZM11712439	REQ							Sealing compound		
8	ZM2292234	26							Screw		
9	VOE20450851	1							Drain valve		
10	VOE20450890	1							•Sealing ring		

Date: <b>2013/11/4</b>	Image id: <b>1055726</b>	Catalogue: <b>20576</b>	Model: <b>L20F</b>
Brand: <b>Volvo</b>	Serial: <b>1705001-</b>	Group/Section: <b>218/100</b>	Title: <b>Engine assy 11390018</b>



Volvo Construction  
Equipment  
1055726

Section option	Kit	Option description
VOE11390018		Wheel loader L20F

Pos	Part	Q1	Q2	Q3	Q4	Q5	PS	Kit	Description	Option(s)	Remark
1	VOE980056	6							Flange screw		M14x30
2	VOE11306348	2							Retainer		1700845-
3	VOE11306347	1							Retainer		1700845-
4	VOE11306346	1							Retainer		1700845-
5	VOE978952	4							Hexagon screw		M20x100 S/N 1700845 - 1705287
5	VOE978953	4							Hexagon screw		M20x100 S/N 1705288 -
6	VOE11307333	4							Washer		1700845-
7	ZM2811225	8							Buffer		
8	ZM2812436	4							Tube		
9	VOE982489	4							Lock nut		(ZM7098016)

**<https://www.ebooklibonline.com>**

Hello dear friend!

Thank you very much for reading.

Enter the link into your browser.

The full manual is available for immediate download.

**<https://www.ebooklibonline.com>**