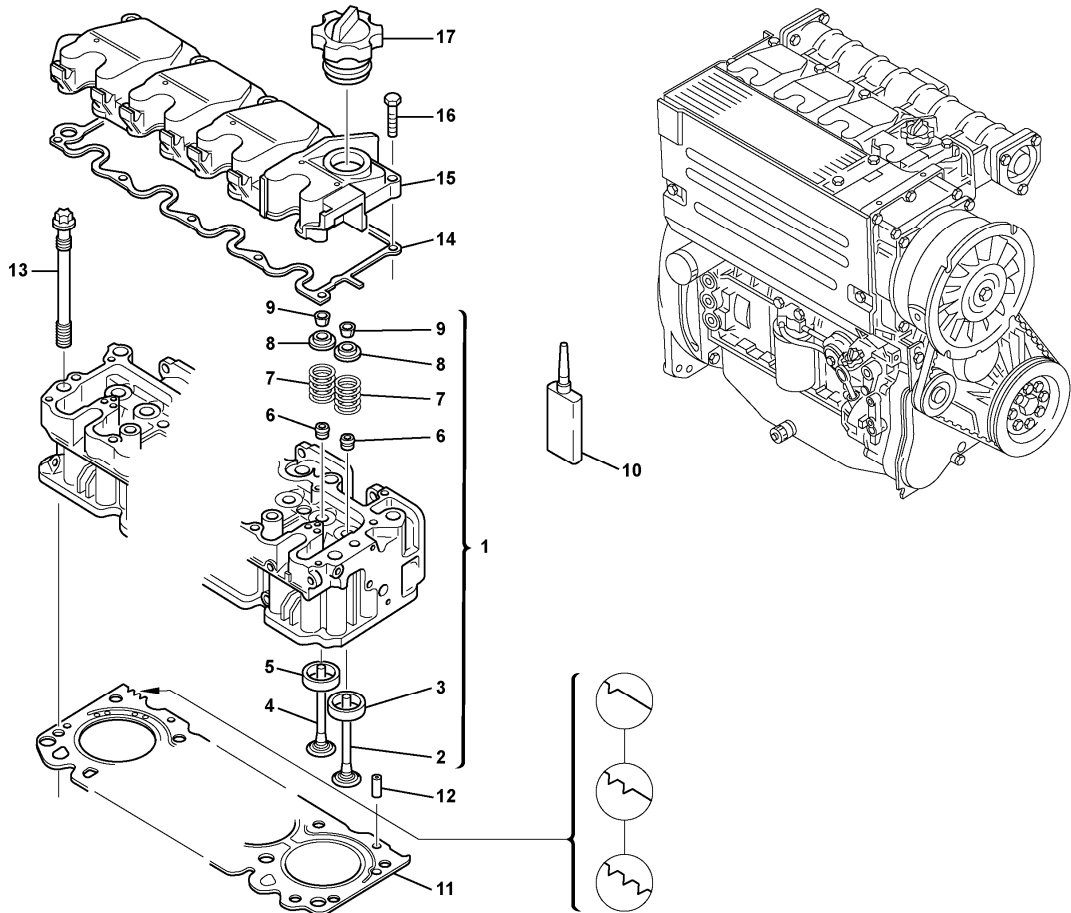


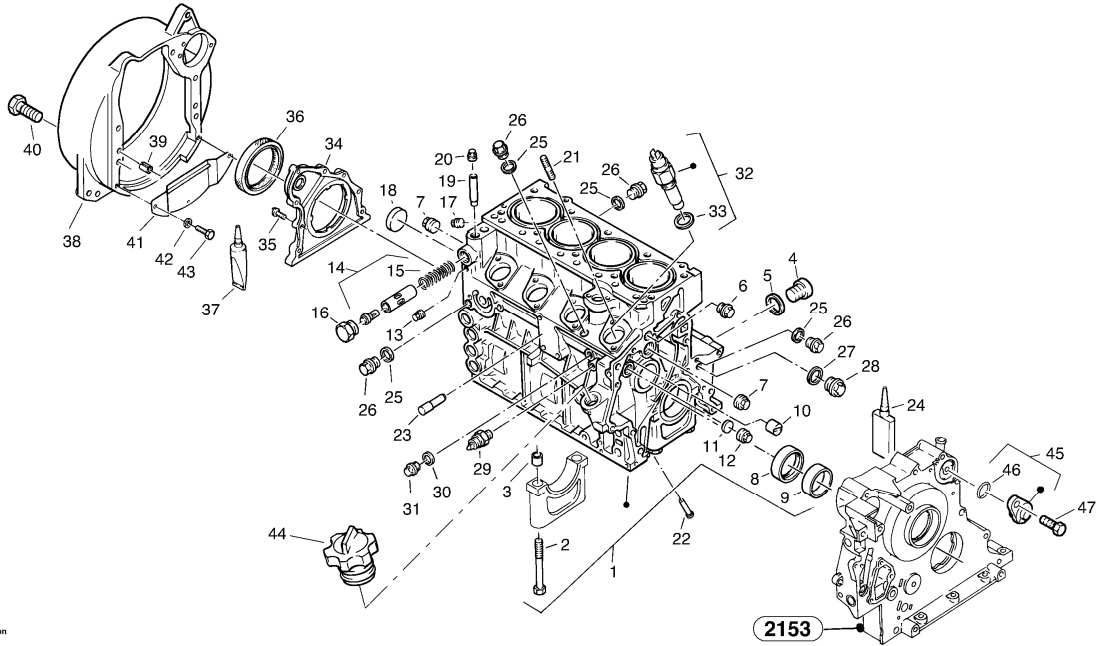
Date: 2013/11/3	Image id: 1003087	Catalogue: 20005	Model: L20B
Brand: Volvo	Serial: 1700001-1700499	Group/Section: 211/100	Title: Cylinder head



Pos	Part	Q1	Q2	Q3	Q4	Q5	PS	Kit	Description	Option(s)	Remark
1	VOE11370182	1							Cylinder head		
2	ZM2908491	4							•Inlet valve		
3	VOE11370184	4					SS		•Valve seat ring		42,67 MM
3	VOE11370185	REQ							•Valve seat ring		42,87 MM
4	ZM2908492	4							•Exhaust Valve		
5	VOE11715770	4							•Valve seat ring		(VOE11370183)37,07 MM
5	ZM2290500	REQ							•Valve seat ring		37,27 MM
6	VOE20459855	8							•Valve seal		(ZM2904368)
7	ZM2904091	8							•Pressure spring		
8	VOE15053220	8							•Washer		(ZM2908493)
9	VOE20459857	16							•Valve sleeve		
10	ZM2903912	REQ					OP		Locking agent		
11	VOE11370140	REQ							Cylinder gasket head		1,48 MM

11	VOE11370141	REQ							Cylinder head gasket		1,55 MM
11	VOE11370142	REQ							Cylinder head gasket		1,60 MM
12	VOE21033924	2							Guide pin		(ZM2904093)
13	ZM2904092	10							Cylinder head screw		
14	ZM2904098	1							Gasket		
15	VOE11370139	1							Valve cover		
16	ZM2908485	10							Screw		M6X30
17	ZM2904064	1							Filler cap		

Date: 2013/11/3	Image id: 1003146	Catalogue: 20005	Model: L20B
Brand: Volvo	Serial: 1700001-1700499	Group/Section: 212/100	Title: Engine housing



Volvo Construction
Equipment
1003146

Pos	Part	Q1	Q2	Q3	Q4	Q5	PS	Kit	Description	Option(s)	Remark
1	VOE11370114	1							Crankcase		
2	ZM2290540	8							•Hexagon screw		
3	ZM4010300	8							•Bushing		
4	VOE20459941	1							•Plug		
5	VOE20460061	1							•Sealing ring		
6	ZM2904050	1							•Screw plug		
7	ZM2908480	2							•Screw plug		
8	ZM2904048	2							•Bearing bush		
9	VOE20795762	3							•Bearing Bushing		
10	VOE15053296	2							•Guide sleeve		(ZM2290541)
11	VOE11370177	1							•Plug		
12	ZM2905346	2							•Screw plug		
13	VOE20860215	1							•Screw		(ZM2905340)
14	ZM2904169	1							•Thermostat		
15	ZM2904053	1							••Pressure spring		
16	ZM2905345	1							•Screw plug		
17	ZM20405718	1							•Screw plug		
18	VOE11370179	1							•Cover		
19	ZM2904051	1							•Tube		
20	ZM2905344	1							•Screw plug		

<https://www.ebooklibonline.com>

Hello dear friend!

Thank you very much for reading.

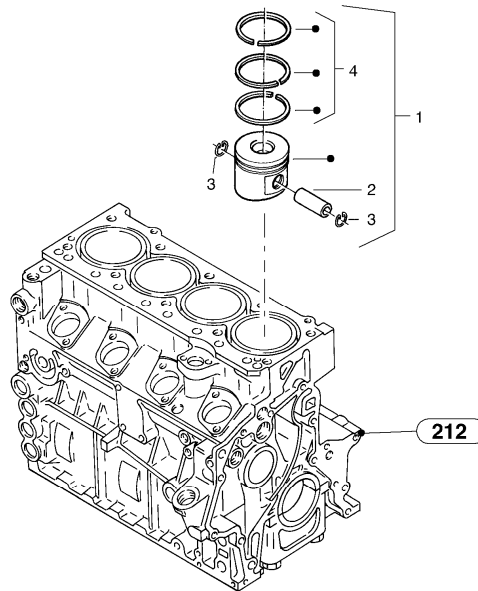
Enter the link into your browser.

The full manual is available for immediate download.

<https://www.ebooklibonline.com>

21	VOE11715739	8							Stud		(VOE11370178)
22	ZM2904056	8							Piston cooling jet		
23	ZM2904057	1							Pin		
24	ZM2903912	REQ					OP		Locking agent		
25	VOE11700631	4							Sealing ring		
26	VOE960628	4							Plug		(VOE20405556)
27	VOE20542740	1							Sealing ring		(VOE11700303)
28	VOE20405506	1							Plug		
29	ZM2905379	1							Oil pressure switch		
30	VOE11305512	1							Lock plug		(ZM7099401)
31	VOE20542740	1							Sealing ring		(VOE11700303)
32	ZM2904059	1							Temperature transmitter		
33	ZM7099503	1					SS		Seal		
34	ZM2292219	1							Cover rear		
35	ZM2290455	8							Screw		
36	ZM2292220	1							Radial seal		
37	ZM4084070	REQ							Sealant		
38	ZM2905335	1							Intermediate housing		
39	ZM2290547	2							Bushing		
40	VOE20554683	4							Screw		(VOE11370269)
41	ZM2290561	1							Cover plate		
42	VOE20460345	3					SS		Washer		
43	VOE20459986	3							Screw		
44	ZM2904064	1							Filler cap		
45	ZM2904065	1							Valve		
46	ZM2904066	1							•O-ring		
47	VOE11370258	1							Hexagon screw		

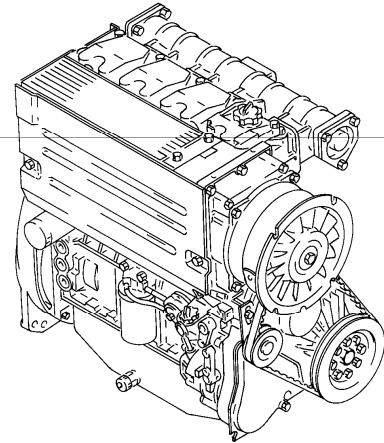
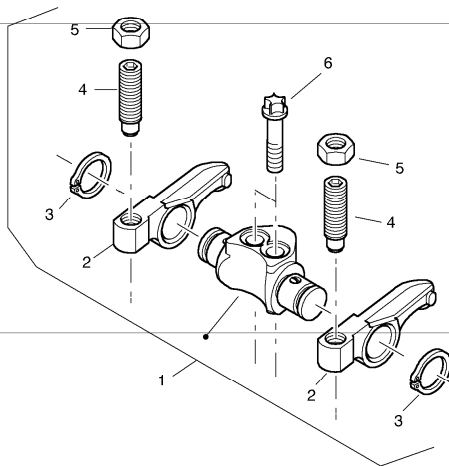
Date: 2013/11/3	Image id: 1003083	Catalogue: 20005	Model: L20B
Brand: Volvo	Serial: 1700001-1700499	Group/Section: 213/100	Title: Piston



Volvo Construction
Equipment
1003083

Pos	Part	Q1	Q2	Q3	Q4	Q5	PS	Kit	Description	Option(s)	Remark
1	VOE11370137	4							Piston		KOMPRESSIONSKLASS E A
1	VOE11370138	4							Piston		KOMPRESSIONSKLASS E B
2	ZM2290427	1							•Bolt		
3	ZM2290428	2					SS		•Safety ring		C 26X1,5
4	VOE11370181	1							•Piston ring kit		

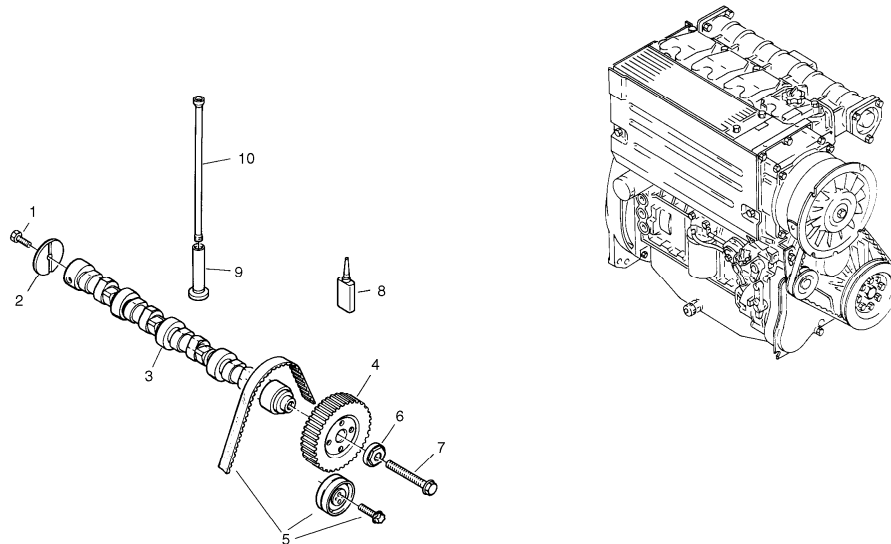
Date: 2013/11/3	Image id: 1003088	Catalogue: 20005	Model: L20B
Brand: Volvo	Serial: 1700001-1700499	Group/Section: 214/100	Title: Valve mechanism



Volvo Construction
Equipment
1003088

Pos	Part	Q1	Q2	Q3	Q4	Q5	PS	Kit	Description	Option(s)	Remark
1	ZM2290529	4							Valve support	rocker	
2	ZM2290526	8							•Rocker Arm		
3	ZM7094952	8							•Safety ring		18X1,2
4	ZM2290527	8							•Adjusting screw		
5	VOE11700373	8							•Nut		
6	VOE20459853	8							Screw		

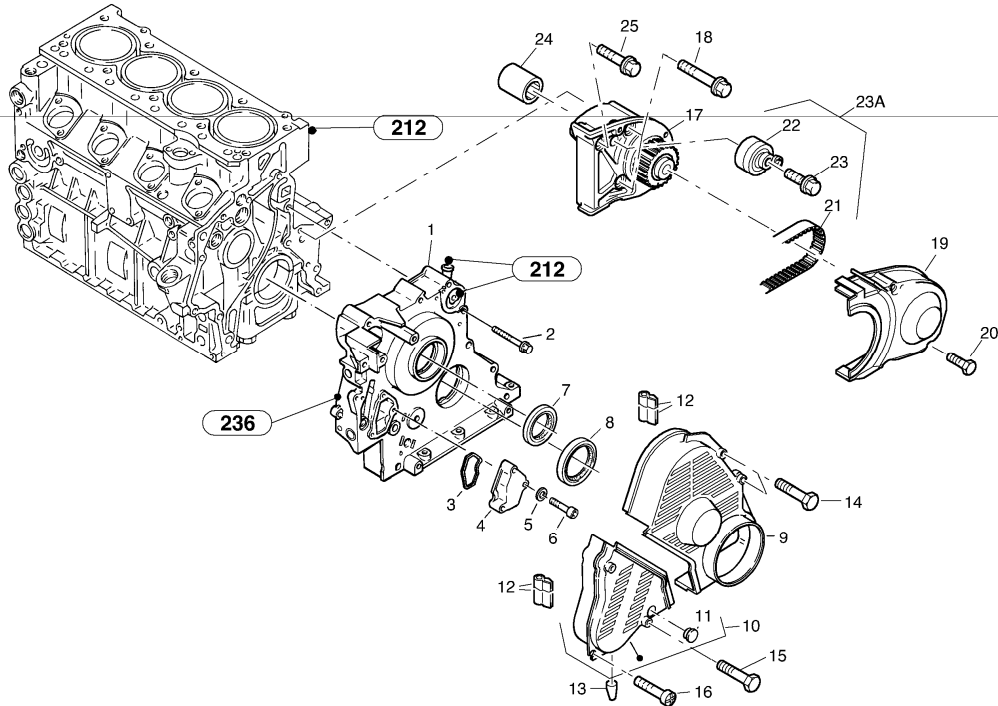
Date: 2013/11/3	Image id: 00000079	Catalogue: 20005	Model: L20B
Brand: Volvo	Serial: 1700001-1700499	Group/Section: 215/100	Title: Camshaft



00000079

Pos	Part	Q1	Q2	Q3	Q4	Q5	PS	Kit	Description	Option(s)	Remark
1	VOE11700503	1							Screw		(ZM2908500)
2	ZM2290517	1							Spacer disc		
3	VOE11370186	1							Camshaft		
4	ZM2290519	1							Toothed belt wheel		
5	VOE11370193	1					SS		Repair kit		
6	ZM2290522	1							Washer		
7	VOE20797281	1							Hexagon screw		
8	ZM4084070	REQ							Sealant		
9	ZM2904101	8							Valve tappet		
10	ZM2290524	8							Push rod		

Date: 2013/11/3	Image id: 1003416	Catalogue: 20005	Model: L20B
Brand: Volvo	Serial: 1700001-1700499	Group/Section: 2153/100	Title: Timing gear housing (front cover)



Volvo Construction
Equipment
1003416

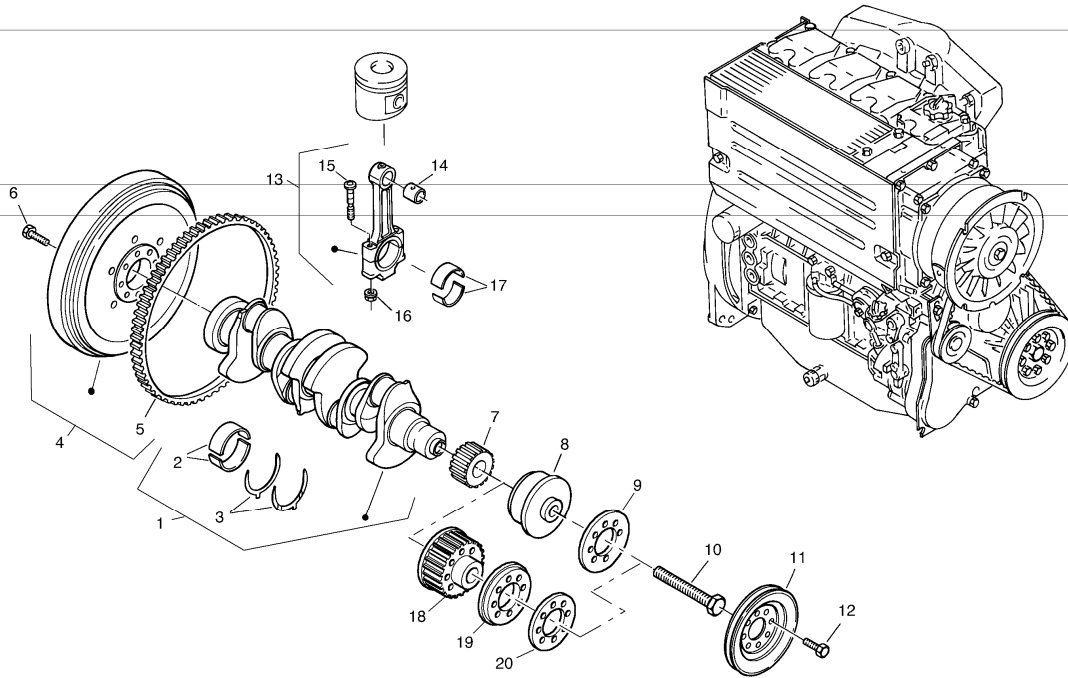
Pos	Part	Q1	Q2	Q3	Q4	Q5	PS	Kit	Description	Option(s)	Remark
1	VOE11370257	1					SS		Service cover		
2	ZM2908498	11							Screw		
3	ZM2904068	1							Profil gasket		
4	ZM2904070	1							Cover		
5	VOE20459074	3							Washer		(VOE11700497)
6	VOE11370253	3							Screw		
7	ZM2291470	1							Seal		
8	ZM2290458	1							Seal		
9	VOE11370188	1							Protecting casing		See footnote 1415)
9	VOE11715974	1							Protecting casing		(VOE11370277)See footnote 1375)
10	VOE11370187	1							Protecting casing		
11	ZM2904072	1							•Plug		
12	VOE11370596	REQ							Sealing moulding		(VOE11370189)
13	VOE11370190	1							Rubber sleeve		
14	VOE11370191	3							Hexagon screw		
15	VOE11370192	2							Hexagon screw		
16	VOE20460068	1							Screw		
17	VOE11370649	1							Bracket		(VOE11370281)See footnote 1375) -1700369

17	VOE11370649	1							Bracket		See footnote 1375) 1700370-
18	ZM2906901	2							Screw		See footnote 1375) M10X90
19	VOE11370276	1							Protecting casing		See footnote 1375)
20	VOE20534527	3							Screw		(VOE11370256)See footnote 1375) M6X25
21	VOE20945006	1							Repair Kit		(VOE11370275)See footnote 1375) -1700369
22	VOE20945006	1							Repair Kit		(VOE11370280)See footnote 1375) -1700369
23	ZM2908498	1							Screw		See footnote 1375) M8X60, -1700369
23A	VOE20945006	1							Repair Kit		(VOE11370657)See footnote 1375) 1700370-
24	VOE11370278	1							Engaging sleeve		See footnote 1375)
25	VOE20797178	1							Screw		(VOE11370279)See footnote 1375) M10X75

1375) only by auxiliary pump

1415) not by auxiliary pump

Date: 2013/11/3	Image id: 1003091	Catalogue: 20005	Model: L20B
Brand: Volvo	Serial: 1700001-1700499	Group/Section: 216/100	Title: Crankshaft



Volvo Construction
Equipment
1003091

Pos	Part	Q1	Q2	Q3	Q4	Q5	PS	Kit	Description	Option(s)	Remark
1	VOE11370180	1							Crankshaft		
2	ZM2290400	5							•Crankshaft bearing		70,00 MM
2	ZM2900539	REQ							•Crankshaft bearing		69,75 mm
2	ZM2290402	REQ							•Crankshaft bearing		69,50 MM
3	VOE20944762	1							•Thrust Washer		2,40 mm
3	VOE20944769	REQ							•Thrust Washer		2,60 mm
4	ZM2908532	1							Flywheel		
5	ZM2908533	1							•Gear ring		
6	ZM2290407	8							Screw		
7	ZM2290408	1							Toothed belt wheel		See footnote 1415)
8	ZM2904102	1							Flange		See footnote 1415)
9	VOE11370135	1							Deflector		See footnote 1415)
10	ZM2290411	1							Screw		
11	ZM2290412	1							V-belt pulley		
12	ZM2908482	4							Screw		
13	ZM2904105	4					SS		Connecting rod		
14	ZM2290416	1							•Bushing		29,06 - 29,10 MM
14	ZM2904108	REQ							•Bushing		29,31 - 29,35 MM
15	ZM2904106	2							•Screw		
16	ZM2290415	2							•Nut		

17	ZM2290432	4							Big end bearing		55,00 MM
17	ZM2900542	REQ							Big end bearing		54,75 mm
17	ZM2900543	REQ							Big end bearing		54,50 MM
18	ZM2290409	1							Toothed belt wheel		See footnote 1375)
19	VOE11370230	1							Spacer		See footnote 1375)
20	VOE11370229	1							Deflector		See footnote 1375)

1375) only by auxiliary pump

1415) not by auxiliary pump



Suggest:

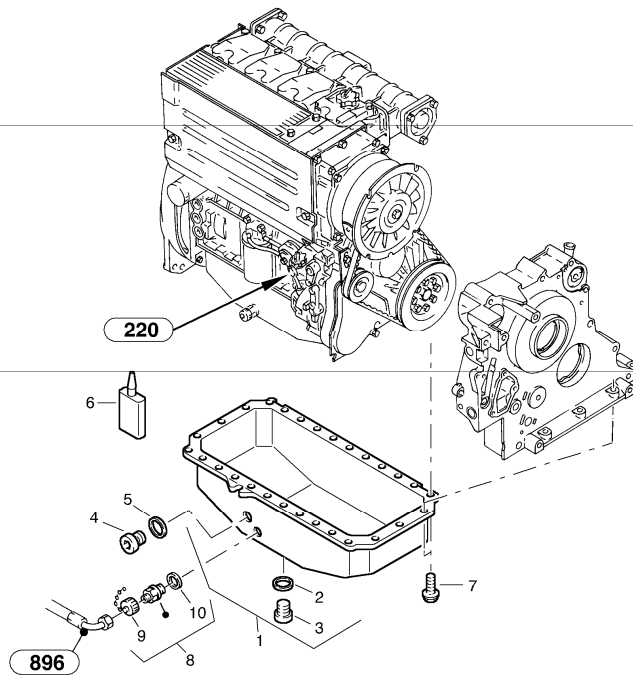
For more complete manuals. Please go to the home page.

<https://www.ebooklibonline.com>

If the above button click is invalid. Please download this document first, and then click the above link to download the complete manual.

Thank you so much for reading

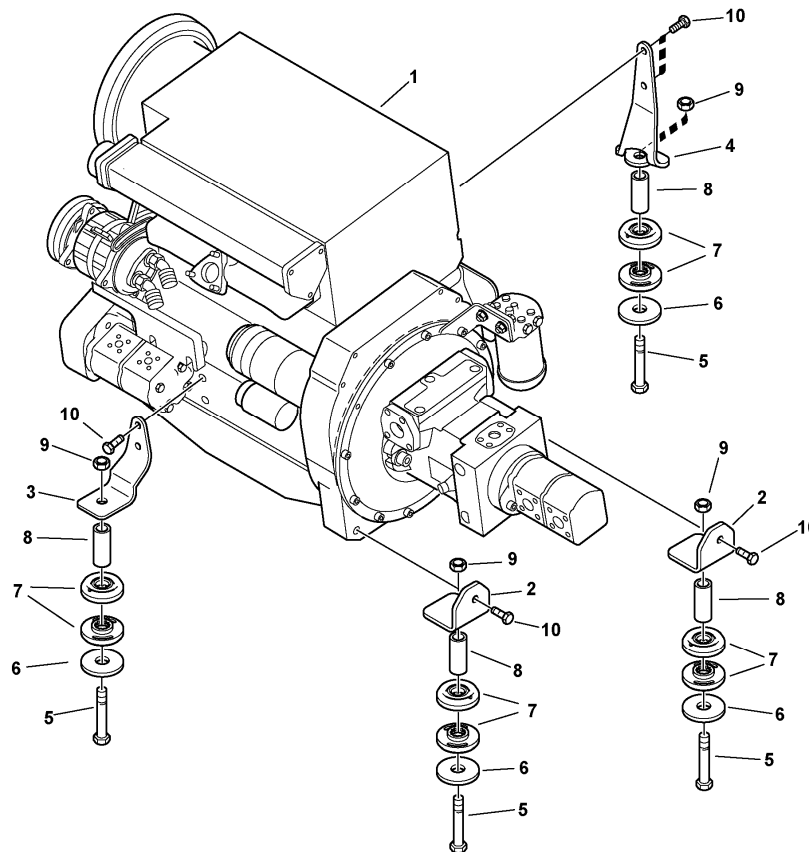
Date: 2013/11/3	Image id: 1003086	Catalogue: 20005	Model: L20B
Brand: Volvo	Serial: 1700001-1700499	Group/Section: 217/100	Title: Oil sump



Volvo Construction
Equipment
1003086

Pos	Part	Q1	Q2	Q3	Q4	Q5	PS	Kit	Description	Option(s)	Remark
1	VOE11370134	1							Oil pan		
2	VOE20542740	1							•Sealing ring		(VOE11700303)A18X24
3	VOE20450891	1							•Plug		M18X1,5
4	VOE20460024	1							•Plug		
5	VOE20460026	1							•Sealing ring		(ZM7099523)
6	ZM2903926	REQ							Sealing compound		
7	ZM2292234	26							Screw		
8	ZM4384256	1							Valve		
9	ZM2285689	1							•Chain with cap		
10	ZM7099518	1							•Seal		C18X24

Date: 2013/11/3	Image id: 1001447	Catalogue: 20005	Model: L20B
Brand: Volvo	Serial: 1700001-1700499	Group/Section: 218/100	Title: Engine assy



Volvo Construction
Equipment
1001447

Pos	Part	Q1	Q2	Q3	Q4	Q5	PS	Kit	Description	Option(s)	Remark
1	ZM2814962	1					SS		Engine, cpl.		
1	VOE11305072	1					SS		Diesel engine		USA
1	VOE11305656	1					SS		Diesel engine		See footnote 1375)
2	ZM2817050	2							Retainer		
3	ZM2817052	1							Retainer		
4	ZM2817239	1							Retainer		
5	VOE978953	4							Hexagon screw		
6	ZM2814435	4							Washer		
7	ZM2811225	8							Buffer		
8	ZM2812436	4							Tube		
9	VOE982489	4							Lock nut		(ZM7098016)
10	VOE980056	6							Flange screw		

1375) only by auxiliary pump

<https://www.ebooklibonline.com>

Hello dear friend!

Thank you very much for reading.

Enter the link into your browser.

The full manual is available for immediate download.

<https://www.ebooklibonline.com>