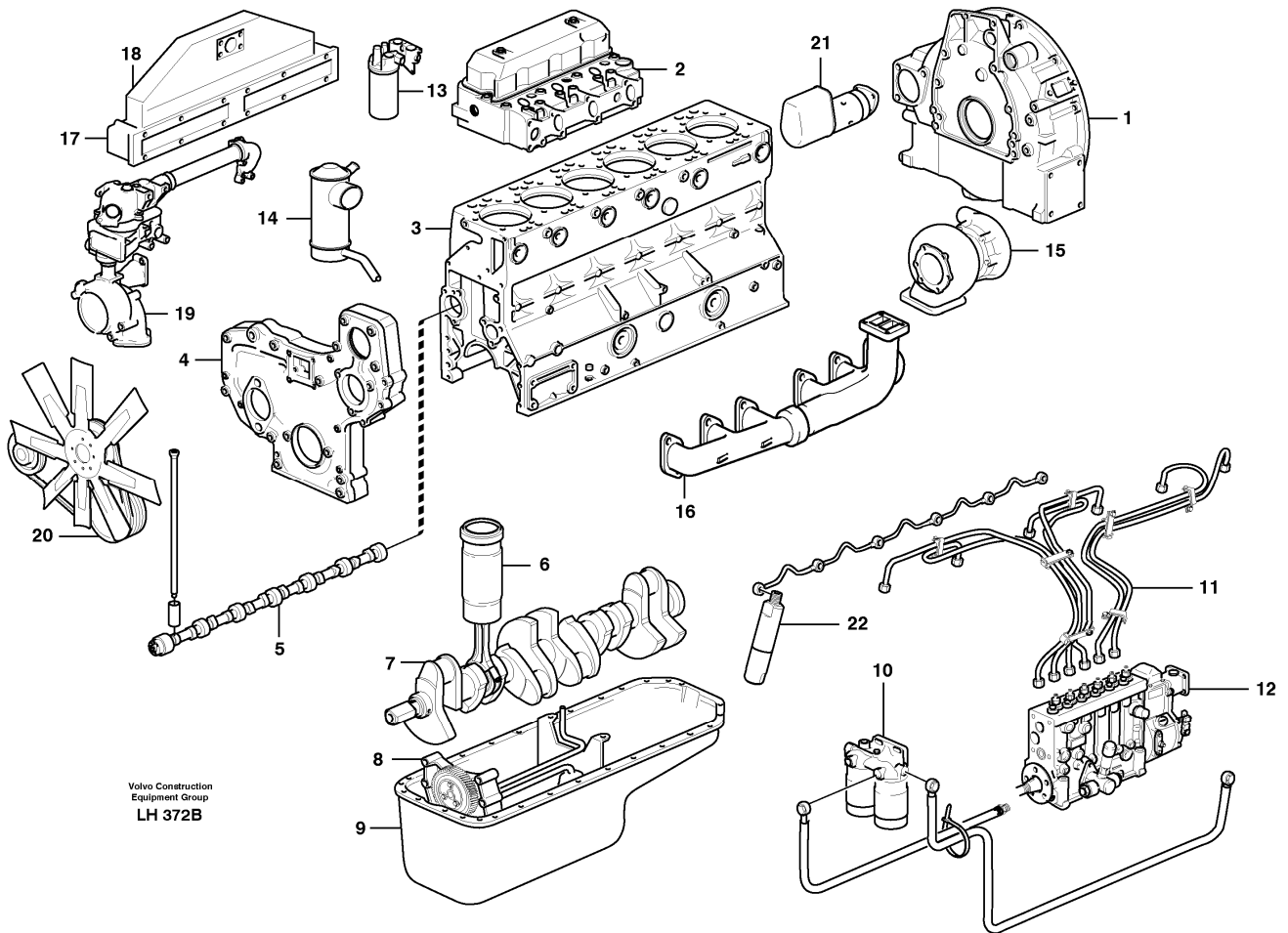


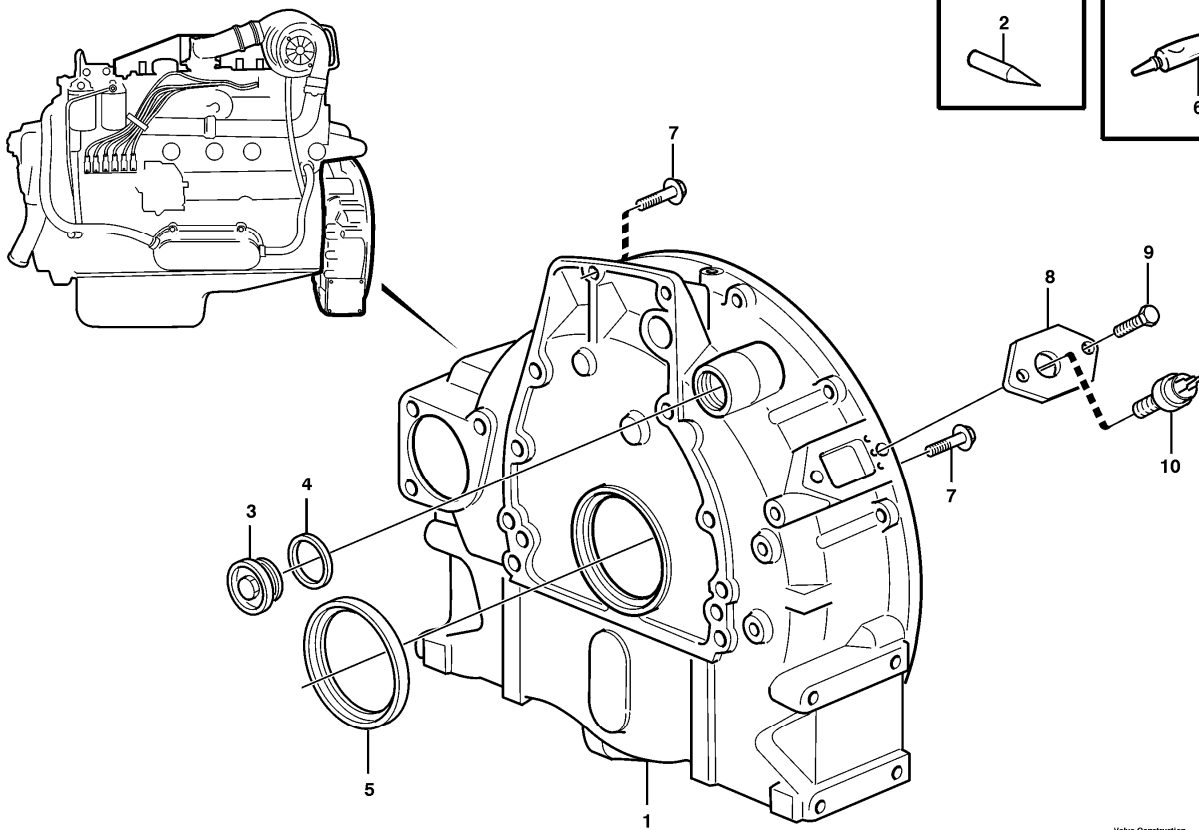
Date: 2013/10/3	Image id: LH372B	Catalogue: 99534	Model: EW230B
Brand: Volvo	Serial: 1736-9999	Group/Section: 210/150	Title: Engine Td 63 Kie



Pos	Part	Q1	Q2	Q3	Q4	Q5	PS	Kit	Description	Option(s)	Remark
	VOE15004131	1							Engine		(VOE8188110)
1		1							•Flywheel housing		See ref 210/200
2		1							•Cylinder head		See ref 211/100
3		1							•Cylinder block		See ref 212/100
4		1							•Timing gear casing		See ref 215/100
5		1							•Camshaft		See ref 215/150
6		1							•Cylinder liner		See ref 213/100
7		1							•Crank mechanism		See ref 216/100
8		1							•Oil pump		See ref 220/100
9		1							•Oil sump		See ref 217/100
10		2							•Fuel filter		See ref 233/150
11		11							•Delivery pipe		See ref 237/100
12		1							•Injection pump		See ref 236/300

13		1							•Oil filter housing		See ref 222/100
14		1							•Oil trap		See ref 251/190
15		1							•Turbocharger		See ref 255/100
16		1							•Exhaust pipe		See ref 251/200
17		1							•Charge air cooler		See ref 251/160
18		1							•Inlet manifold		See ref 251/190
19		1							•Water pump		See ref 262/100
20		1							•Fan		See ref 263/100
21		1							•Starter motor		See ref 330/100
22		6							•Injector		See ref 237/150

Date: 2013/10/3	Image id: LH246B	Catalogue: 99534	Model: EW230B
Brand: Volvo	Serial: 1736-9999	Group/Section: 210/200	Title: Flywheel housing



Volvo Construction
Equipment Group
LH 246B

Pos	Part	Q1	Q2	Q3	Q4	Q5	PS	Kit	Description	Option(s)	Remark
1	VOE11701518	1					SS		Flywheel Hsg		
2	VOE864494	1							Setting Indicator		
3	VOE467367	1							Plug		(VOE467649)
4	VOE1556907	1							Gasket		(VOE469328)
5	VOE477119	1							Crankshaft Seal		
6	VOE1161277	REQ							Sealant		20 g
7	VOE13966361	6							Flange screw		L = 55
	VOE13966363	2							Flange screw		L = 65
	VOE968753	2							Flange screw		L = 75
8	VOE14254562	1							Attachment		
9	VOE13955272	2							Screw		(14014589)
10	VOE14215228	1							Eng Sp Sensor		

<https://www.ebooklibonline.com>

Hello dear friend!

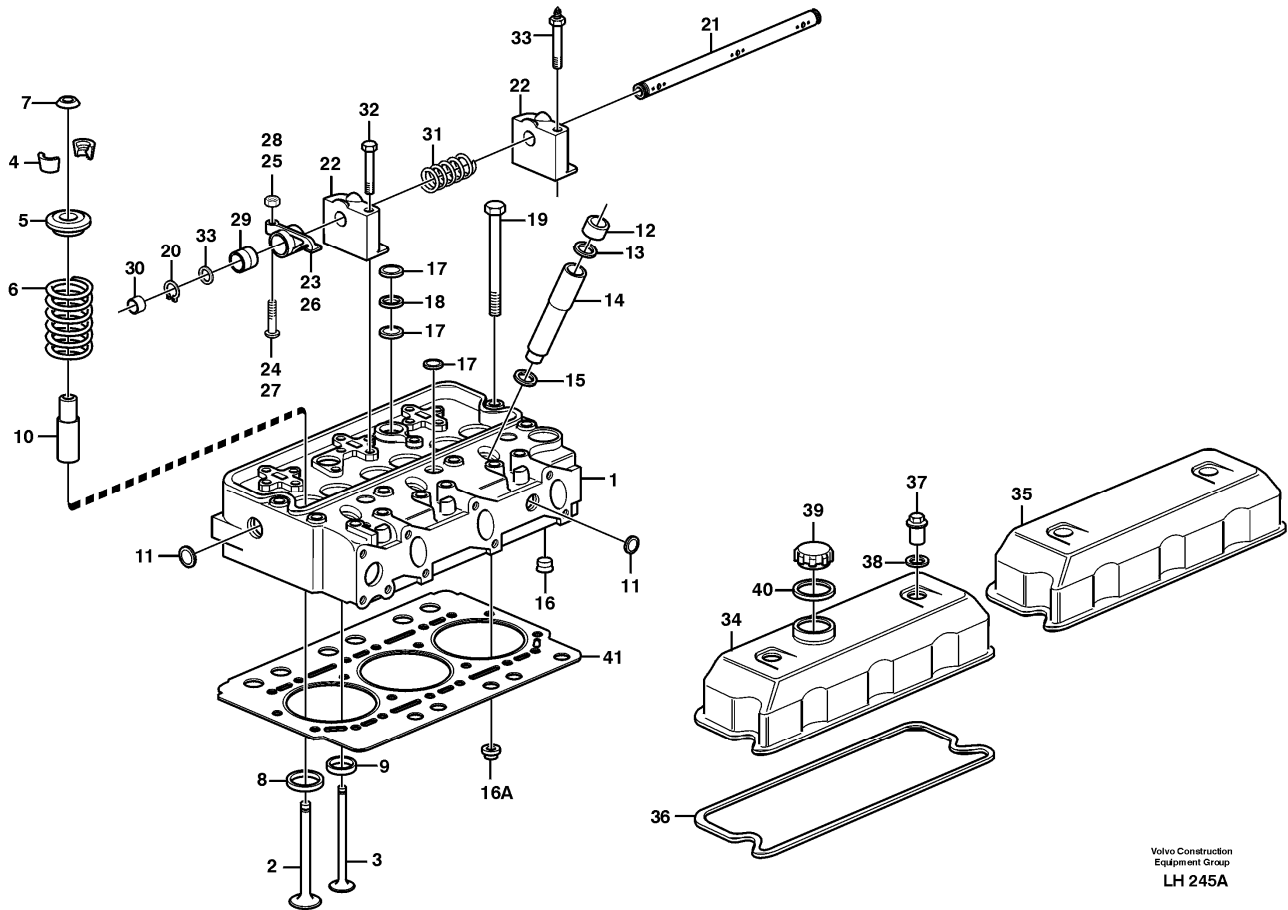
Thank you very much for reading.

Enter the link into your browser.

The full manual is available for immediate download.

<https://www.ebooklibonline.com>

Date: 2013/10/3	Image id: LH245A	Catalogue: 99534	Model: EW230B
Brand: Volvo	Serial: 1736-9999	Group/Section: 211/100	Title: Cylinder head

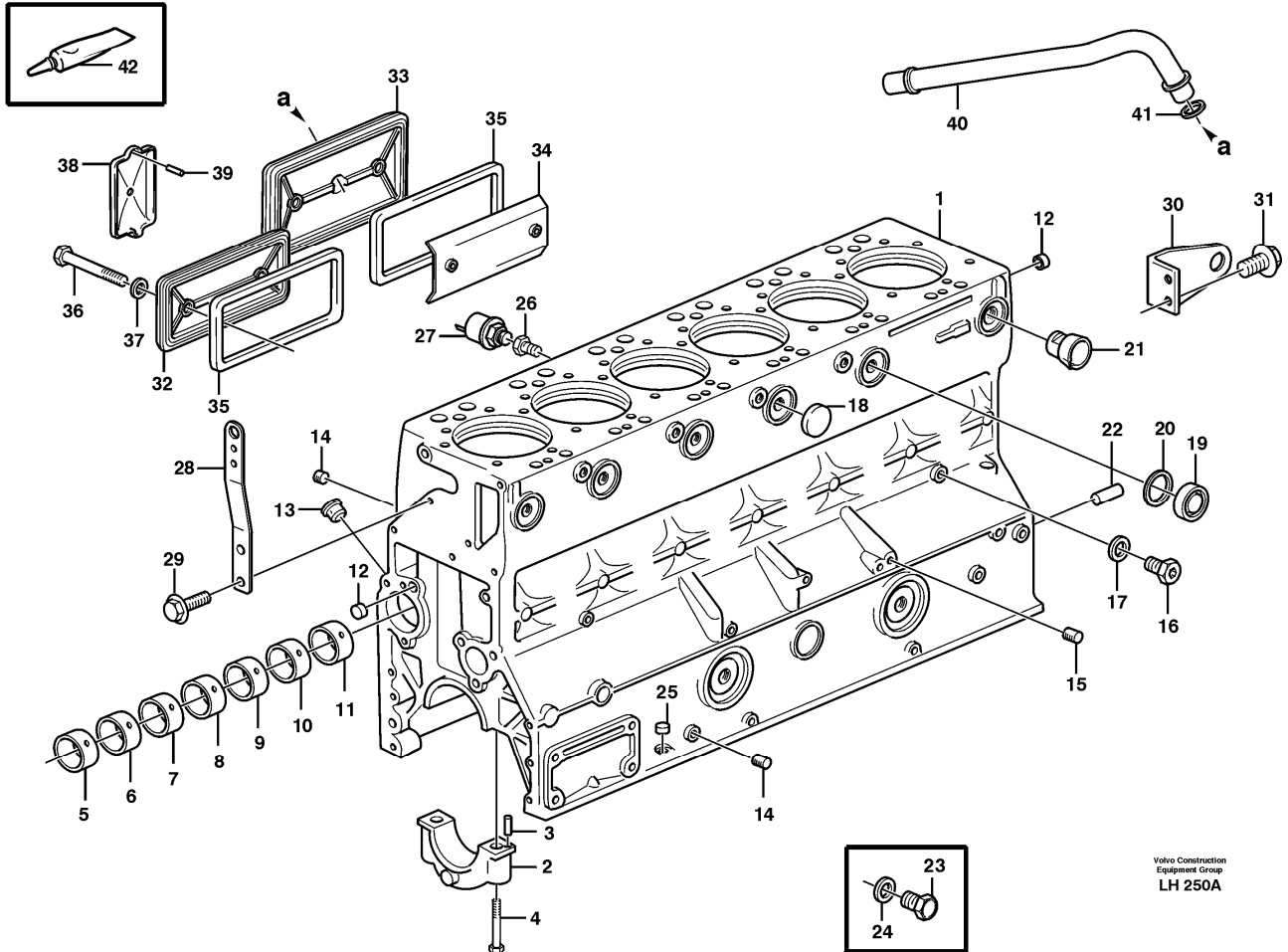


Volvo Construction
Equipment Group
LH 245A

Pos	Part	Q1	Q2	Q3	Q4	Q5	PS	Kit	Description	Option(s)	Remark
1	VOE420878	2							Cylinder head		
2	VOE420553	6					SS		•Inlet valve		
3	VOE8192143	6							•Exhaust valve		
4	VOE1677875	24							•Valve Collet		
5	VOE465550	12							•Washer		
6	VOE465233	12							•Valve spring		
7	VOE465551	12							•Protecting sleeve		
8	VOE420874	6							•Valve seat		
9	VOE420875	6							•Valve seat		
10	VOE477792	12							•Valve guide		
11	VOE477024	8							•Expansion plug		
12	VOE466420	6							•Ring		
13	VOE466405	6							•Sealing ring		
14	VOE8192085	6							•Sleeve		

15	VOE466922	6							•Sealing ring		
16	VOE465420	4							•Nozzle		
16A	VOE422413	2							•Sealing ring		ID = 10
	VOE466421	16							•Sealing ring		ID = 15
	VOE465784	12							•Sealing		ID = 25
17	VOE477026	14							•Expansion plug		
18	VOE947626	4							•Gasket		
19	VOE465840	40							•Screw		
	VOE3978024	2					NS		•		
20	VOE914456	4							••Retaining ring		
21	VOE465791	2							••		
22	VOE1665204	6							••Bearing Bracket		
23	VOE7420129	3							••Rocker arm		
24	VOE422993	3							•••Bolt		
25	VOE940175	3							•••Nut		
26	VOE420132	3							••Rocker arm		
27	VOE422993	3							•••Bolt		
28	VOE940175	3							•••Nut		
29	VOE420125	12							•••Bushing		
30	VOE13955083	4							••Cap plug		
31	VOE411139	4							••Spring		
32	VOE471513	8							••Screw		
33	VOE471512	4							••Screw		
34	VOE8192015	1							••Valve cover		
35	VOE8192016	1							••Valve cover		
36	VOE8192009	2							••Sealing strip		
37	VOE8148488	4							••Lock nut		
38	VOE8192526	4							••Bushing		
39	VOE421753	1							••Filler cap		
40	VOE1275379	1							••Gasket		(VOE940096)

Date: 2013/10/3	Image id: LH250A	Catalogue: 99534	Model: EW230B
Brand: Volvo	Serial: 1736-9999	Group/Section: 212/100	Title: Cylinder block

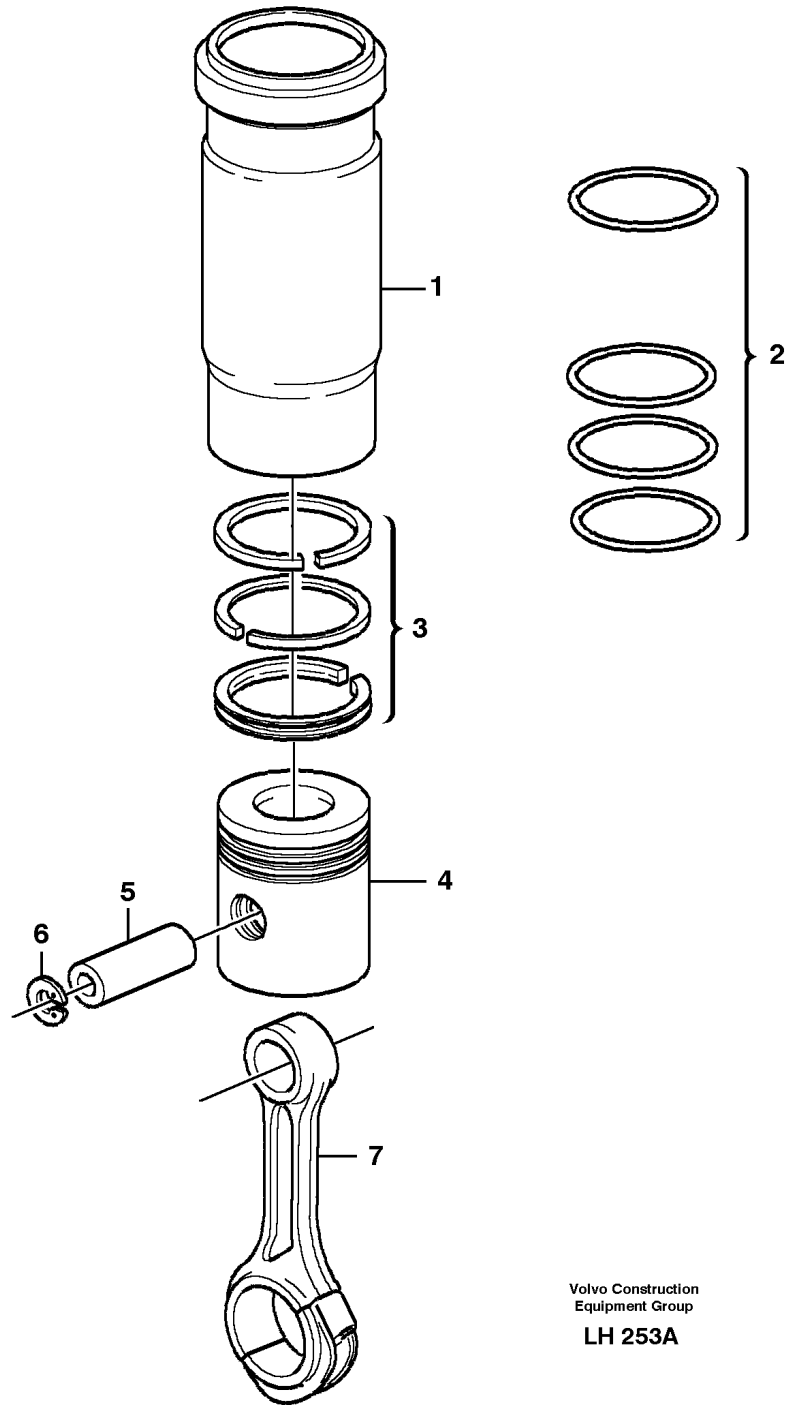


Volvo Construction
Equipment Group
LH 250A

Pos	Part	Q1	Q2	Q3	Q4	Q5	PS	Kit	Description	Option(s)	Remark
	VOE420990	1							Cylinder block		
1	VOE420981	1					NS		•Cylinder block		
2		7					NS		•Cap		
3	VOE422426	1							•Pin		
4	VOE465899	14							•Screw		
5	VOE422076	1							•Bushing		
6	VOE422077	1							•Bushing		(VOE7422077)
7	VOE422078	1							•Bushing		
8	VOE11000014	1							•Bushing		(VOE422079)
9	VOE422080	1							•Bushing		(VOE7422080)
10	VOE422081	1							•Bushing		
11	VOE422082	1							•Bushing		
12	VOE955082	6							•Cap plug		

13	VOE422369	2							•Plug		
14	VOE479979	5							•Plug		1/8"NPTF
15	VOE952076	3					SS		•Plug		3/8"NPTF
16	VOE965768	1					SE		•Plug		
17	VOE13947281	1							•Gasket		
18	VOE968955	4					SE		•Expansion Plug		
19	VOE467367	2							•Plug		(VOE467649)
20	VOE1556907	2							•Gasket		(VOE469328)
21	VOE421154	6							•Nozzle		
22	VOE191171	2							•Pin		(VOE191171)
23	VOE960630	1							Plug		
24	VOE13969011	1							Gasket		
25	VOE955082	2							Cap plug		
26	VOE835980	1							Nipple		
27	VOE864415	1							Oil pressure sensor		
28	VOE848346	1					NS		Iron		Front / främre
29	VOE13965191	2							Screw		
30	VOE465994	2					NS		Lifting eye		Rear / bakre
31	VOE13965191	4							Screw		
32	VOE420120	1							Inspection lid		
33	VOE420121	1							Hatch		
34	VOE3978045	1							Splash plate		(VOE471858)
35	VOE421121	2							Gasket		
36	VOE471855	5							Screw		
37	VOE471856	5							Sealing ring		
38	VOE471854	1							Cover		
39	VOE951974	1							Spring pin		
40	VOE11032901	1							Breather pipe		
41	VOE421158	1							Sealing ring		
42	VOE1161277	REQ							Sealant		20 g

Date: 2013/10/3	Image id: LH253A	Catalogue: 99534	Model: EW230B
Brand: Volvo	Serial: 1736-9999	Group/Section: 213/100	Title: Cylinder liner and piston

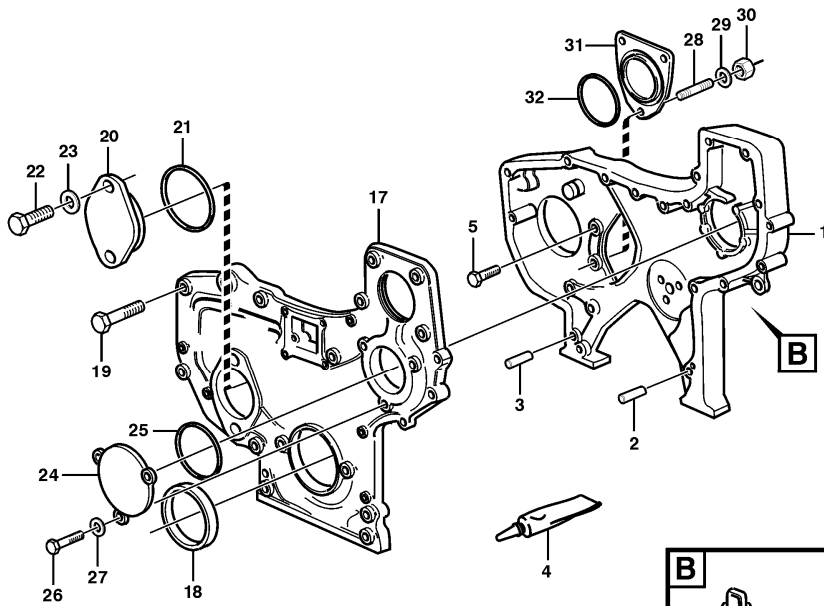


Volvo Construction
Equipment Group
LH 253A

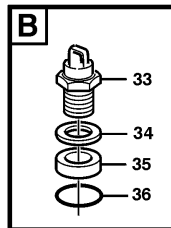
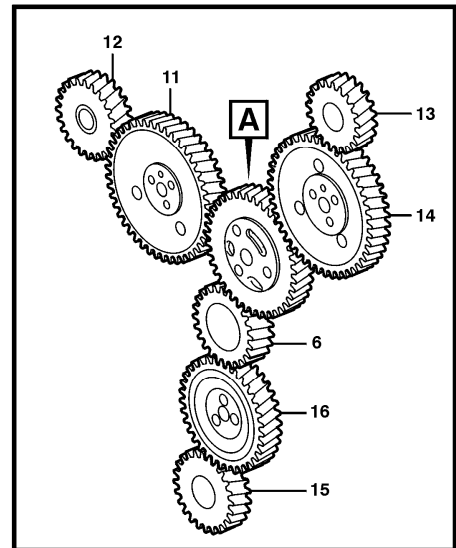
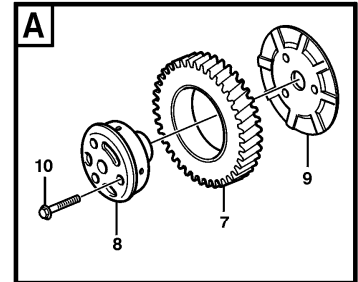
Pos	Part	Q1	Q2	Q3	Q4	Q5	PS	Kit	Description	Option(s)	Remark
	VOE276929	6							Cylinder liner kit		

1		6					NS		•Cylinder liner		
2	VOE271161	6							•Seg Ring Kit		
3	VOE276310	6							•Piston Ring Kit		
4		6					NS		•Piston		
5	VOE3978023	6							•Piston Pin		
6	VOE914523	12							•Snap Ring		
7		6							Connecting rod		See ref 216/100

Date: 2013/10/3	Image id: LH262B	Catalogue: 99534	Model: EW230B
Brand: Volvo	Serial: 1736-9999	Group/Section: 215/100	Title: Timing gear casing



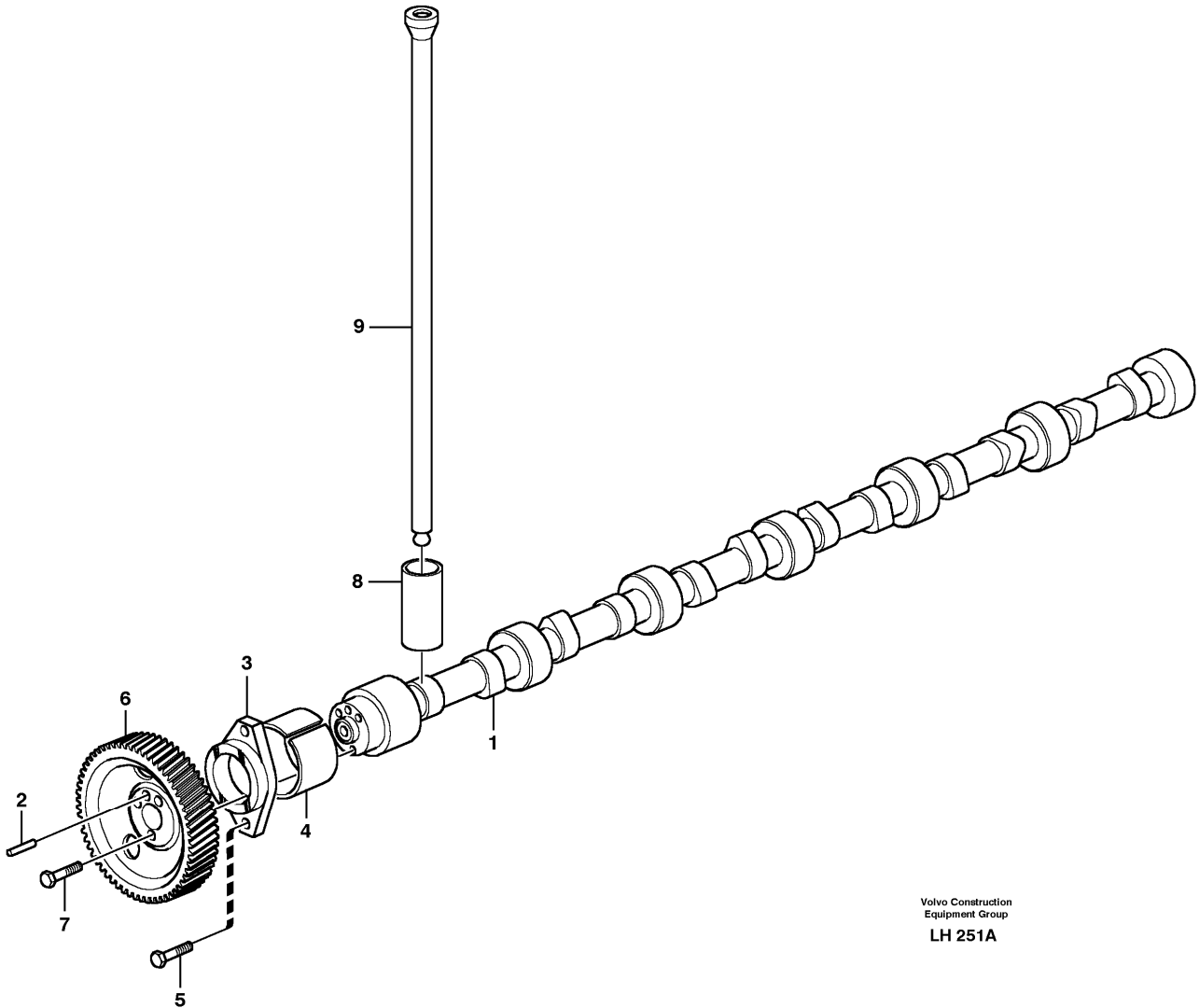
Volvo Construction
Equipment Group
LH 262B



Pos	Part	Q1	Q2	Q3	Q4	Q5	PS	Kit	Description	Option(s)	Remark
1	VOE8192775	1					SS		Tmg Gear Casing		
2	VOE13941511	1							Pin		(941511)
3	VOE13941510	1							Pin		(941510)
4	VOE1161277	REQ							Sealant		20 g
5	VOE471534	2							Screw		L = 28
	VOE471535	2							Screw		L = 58
6		1							Gear		Crankshaft / vevaxel See ref 216/100
7	VOE8192518	1							Idler Gear		
	VOE420083	1					NS		•Bushing		(VOE471552)
8	VOE11704619								Axle		
9	VOE478951	1							Thrust Washer		(VOE467529)
10	VOE471554	3							Screw		
11		1							Gear		Camshaft / kamaxel See ref 215/150

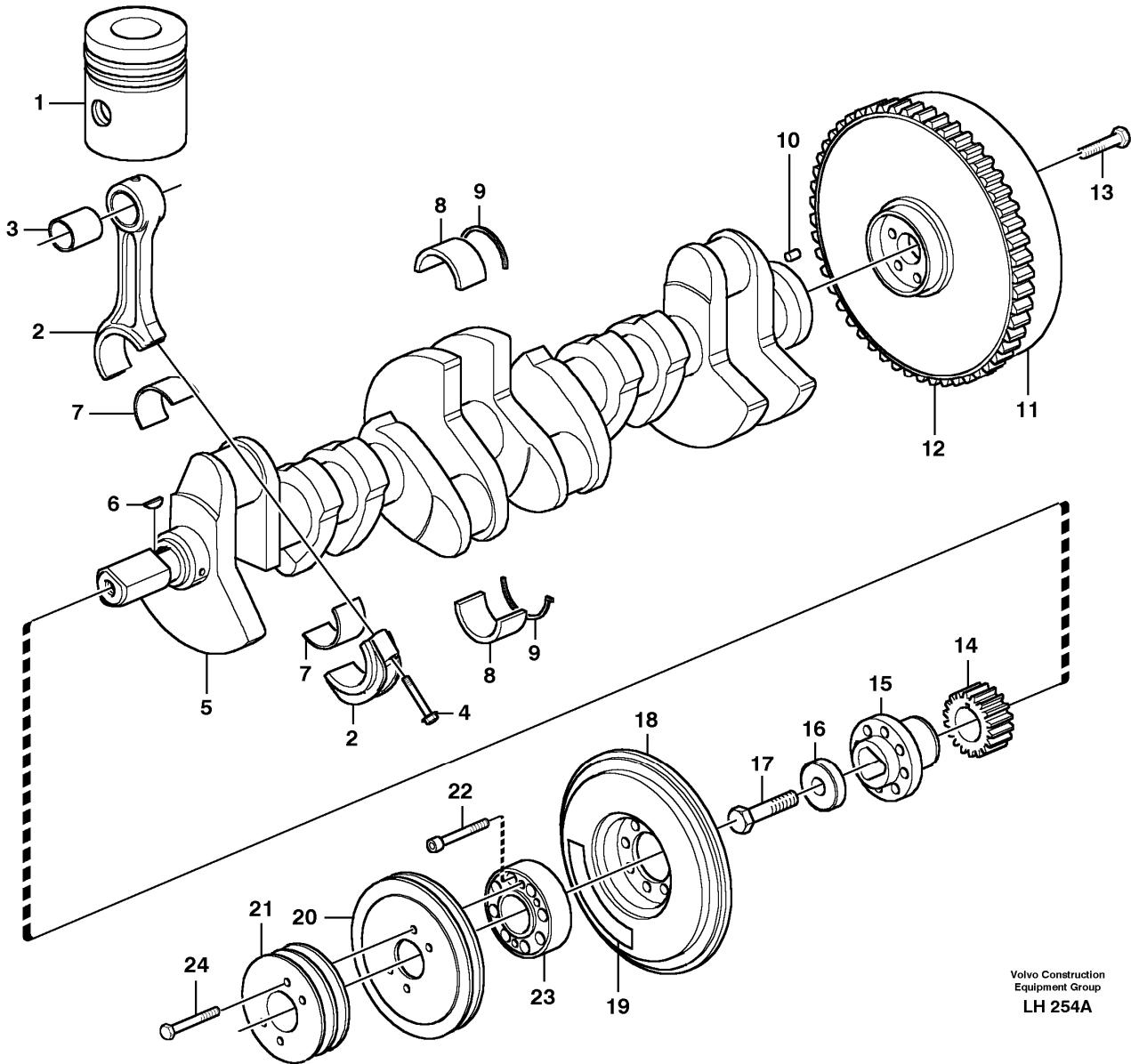
12		1							Gear		Servopump/Servo.p See ref 914/700
13		1							Gear		Waterpump/ Vattenpump See ref 262/100
14		1							Gear		Inject.pump/ Insprpump See ref 236/300
15		1							Gear		Oil pump / oljepump See ref 221/100
16		1							Gear		Oil pump/Oljepump See ref 221/100
17	VOE8192590	1							Tmg Gear Cover		
18	VOE477118	1							Sealing ring		
19	VOE13947760	7							Flange screw		L = 40: (947760)
	VOE13948217	2							Flange screw		L = 45: (948217)
	VOE13965216	1							Screw		L = 55: (965216)
	VOE13965182	6							Flange screw		L = 80: (965182)
	VOE13965183	2							Flange screw		L = 90: (965183)
	VOE965225	1							Flange screw		M12, L = 35
20	VOE465735	1							Cap		
21	VOE925094	1							O-ring		
22	VOE946472	2							Flange screw		L = 30
	VOE13965187	2							Flange screw		L = 60: (965187)
23	VOE955895	2							Washer		
24	VOE471559	1							Cap		
25	VOE925257	1							O-ring		
26	VOE13945444	3							Flange screw		(VOE945444)
27	VOE13941907	3							Spring Washer		(VOE941907)
28	VOE967951	3							Stud		
29	VOE955899	3							Washer		
30	VOE13971097	3							Flange nut		(VOE965484)
31	VOE420178	1							Cover		
32	VOE13975610	1							O-ring		(VOE413619)
33	VOE1502028	1							Eng Sp Sensor		
34	VOE13947624	1							Plane Gasket		
35	VOE863412	1							Sleeve		
36	VOE925059	1							O-ring		(14012270)

Date: 2013/10/3	Image id: LH251A	Catalogue: 99534	Model: EW230B
Brand: Volvo	Serial: 1736-9999	Group/Section: 215/150	Title: Camshaft



Pos	Part	Q1	Q2	Q3	Q4	Q5	PS	Kit	Description	Option(s)	Remark
1	VOE465787	1							Camshaft		
2	VOE950588	1							•Pin		
3	VOE465789	1							Flange		
4		7							Bearing bushing		See ref 212/100
5	VOE471509	2							Screw		
6	VOE471528	1							Gear		
7	VOE471554	3							Screw		
8	VOE421067	12							Tappet		
9	VOE420021	12							Rod		

Date: 2013/10/3	Image id: LH254A	Catalogue: 99534	Model: EW230B
Brand: Volvo	Serial: 1736-9999	Group/Section: 216/100	Title: Crankshaft and related parts

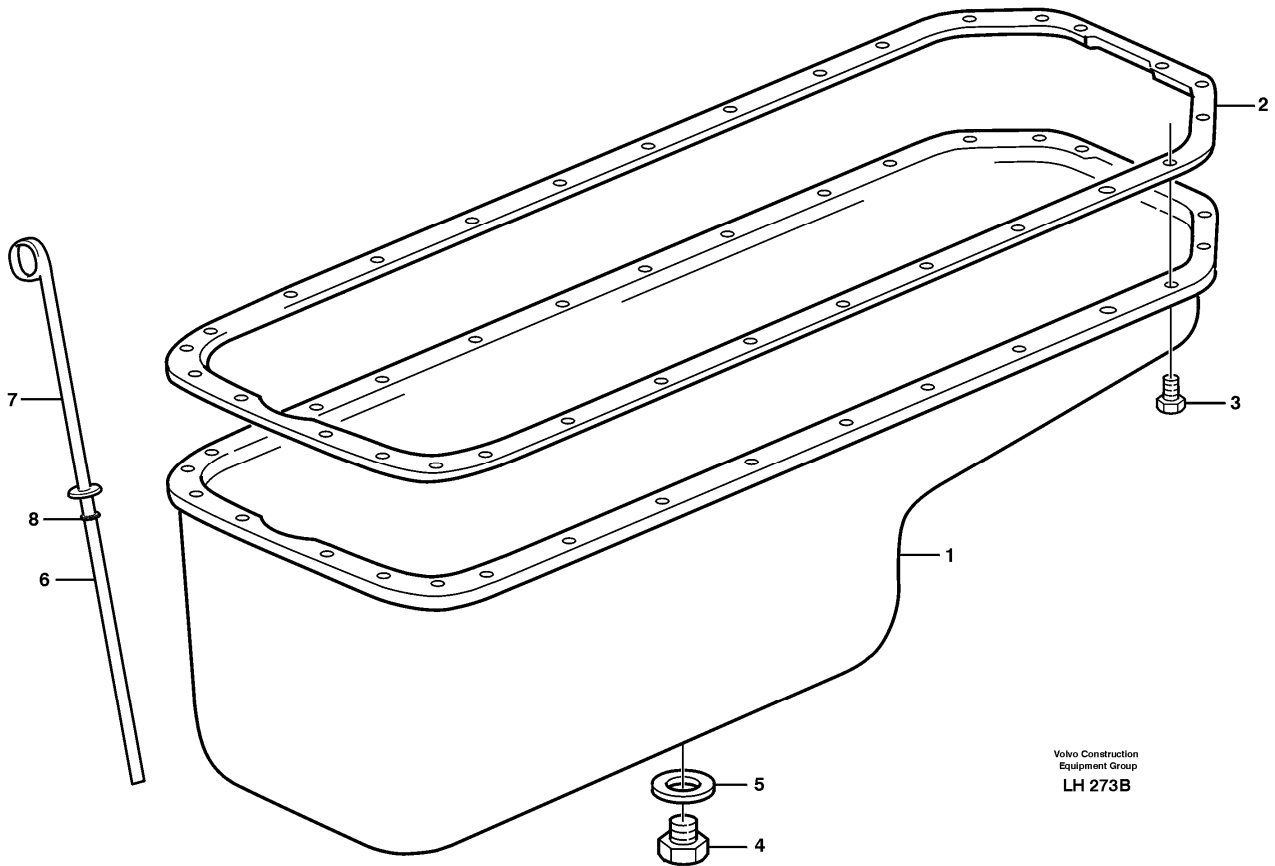


Volvo Construction
Equipment Group
LH 254A

Pos	Part	Q1	Q2	Q3	Q4	Q5	PS	Kit	Description	Option(s)	Remark
1		6							Cylinder liner kit		See ref 213/100
2	VOE8192120	6					SS		Connecting Rod		
3	VOE465816	6							•Bushing		
4	VOE465815	12							•Screw		
5	VOE420662	1					SS		Crankshaft		ENG - 106089, 6 hole
	VOE8192122	1					SS		Crankshaft		ENG 106090 -, 9 hole

6	VOE422253	1							•Key		
7		6							Big end brg kit		See ref 210/100
8		7							Mn bearing kit		See ref 210/100
9		1							Thrust washer kit		See ref 210/100
10	VOE950677	1							Pin		
11	VOE864260	1						OP	Flywheel		ENG - 106089, 6 hole
	VOE3825732	1							Flywheel		ENG 106090 -, 9 hole
12	VOE420314	1							•Gear Ring		(VOE420067)
13	VOE465825	6-9							Screw		
14	VOE471528	1							Gear		
15	VOE4772218	1							Hub		
16	VOE420124	1							Washer		
17	VOE470366	1							Screw		
18	VOE421515	1							Vib Damper		
19	VOE467834	1							Sign		
20	VOE4772217	1							Strap		
21	VOE4772236	1							Strap		
22	VOE4772247	8							Screw		
23	VOE465779	1							Hub		
24	VOE13965187	4							Flange screw		

Date: 2013/10/3	Image id: LH273B	Catalogue: 99534	Model: EW230B
Brand: Volvo	Serial: 1736-9999	Group/Section: 217/100	Title: Oil sump



Pos	Part	Q1	Q2	Q3	Q4	Q5	PS	Kit	Description	Option(s)	Remark
1	VOE11162235	1							Oil Pan		(VOE465622)
2	VOE11030778	1							Gasket		(865341)
3	VOE946440	34							Flange screw		
4	VOE13949175	1							Magnetic Plug		(949175)
5	VOE949329	1							Gasket		
6	VOE862055	1							Pipe		
7	VOE11030836	1							Oil dipstick		
8	VOE955984	1							O-ring		



Suggest:

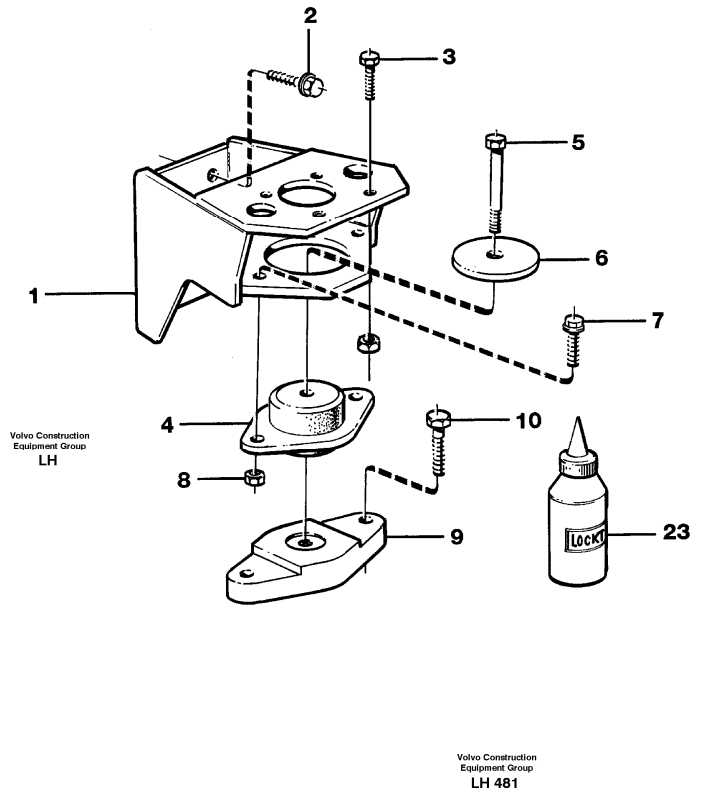
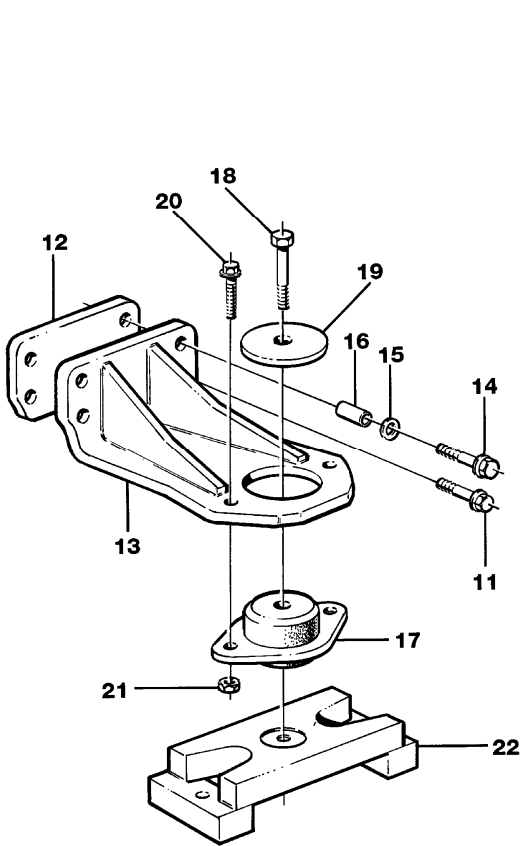
For more complete manuals. Please go to the home page.

<https://www.ebooklibonline.com>

If the above button click is invalid. Please download this document first, and then click the above link to download the complete manual.

Thank you so much for reading

Date: 2013/10/3	Image id: LH481	Catalogue: 99534	Model: EW230B
Brand: Volvo	Serial: 1736-9999	Group/Section: 218/200	Title: Engine mounting



Pos	Part	Q1	Q2	Q3	Q4	Q5	PS	Kit	Description	Option(s)	Remark
1	VOE14341798	2							Engine anchorage		
2	VOE13965191	8							Screw		
3	VOE13946817	4							Screw		RH - REAR
4	VOE14343641	2							Rubber cushion		
5	VOE13955374	2							Screw		
6	VOE14342464	2							Washer		
7	VOE13965192	4							Screw		
8	VOE13971090	8							Lock nut		
9	VOE14341801	2							Adapter		
10	VOE13955366	4							Screw		
11	VOE13965194	7							Screw		
12	VOE14341881	2							Spacer		
13	VOE14343182	2							Engine anchorage		
14	VOE965197	1							Flange screw		(VOE13965197)
15	VOE14015146	1							Washer		

16	VOE14252182	1							Spacer		
17	VOE14343640	2							Rubber cushion		
18	VOE13955374	2							Screw		
19	VOE14342464	2							Washer		
20	VOE13965192	4							Screw		
21	VOE13971090	4							Lock nut		
22	VOE14342044	2							Adapter		
23	VOE14024293	ERF					OP		Locking fluid		

<https://www.ebooklibonline.com>

Hello dear friend!

Thank you very much for reading.

Enter the link into your browser.

The full manual is available for immediate download.

<https://www.ebooklibonline.com>