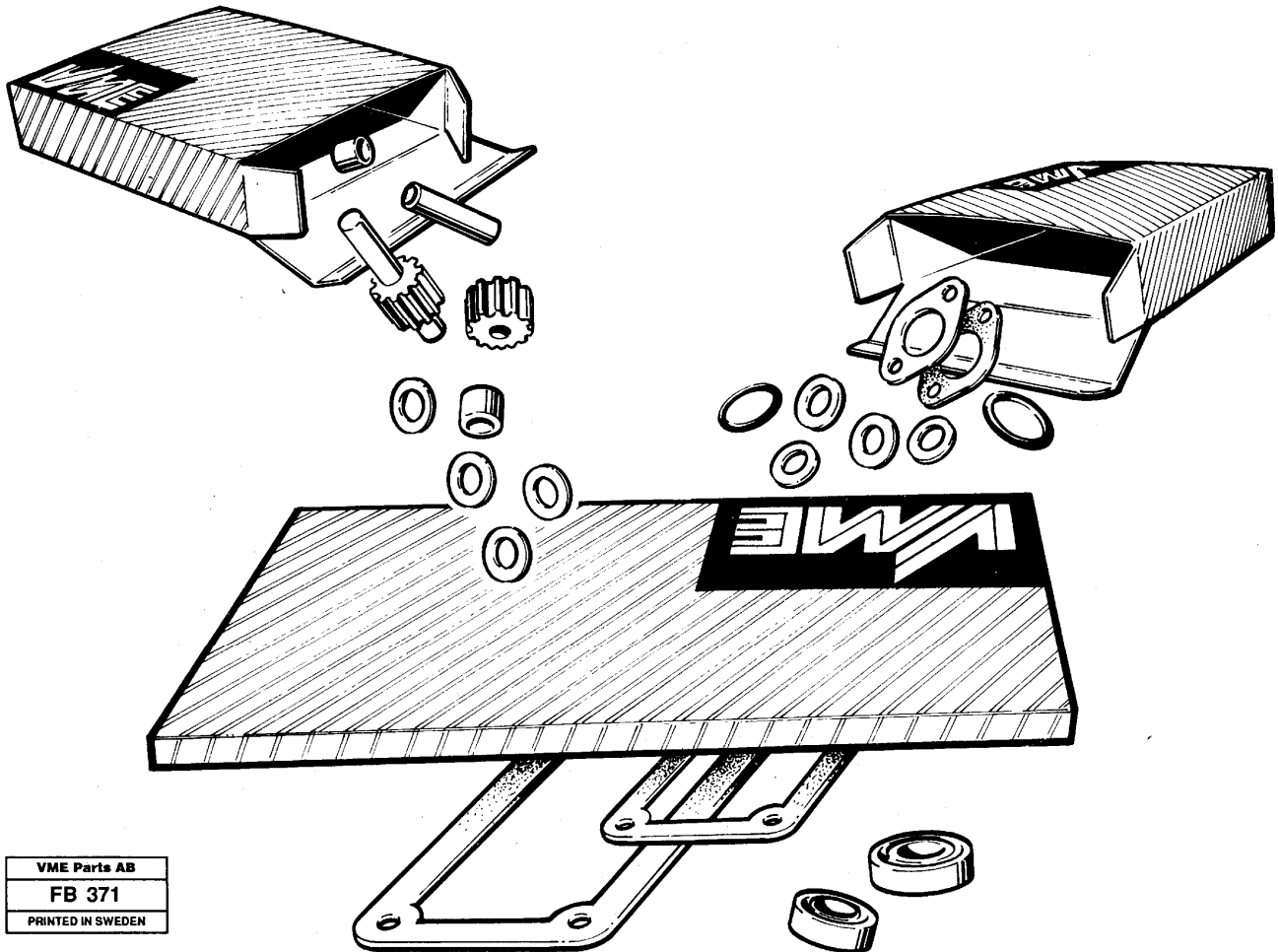


Date: 2013/10/3	Image id: FB371	Catalogue: 99510	Model: EW230B
Brand: Åkerman	Serial: 1448-1735	Group/Section: 210/100	Title: Repair kits for engine



VME Parts AB
FB 371
PRINTED IN SWEDEN

Q1-Q5	Option	Option description	
Q1 TD 61 GE			
Q2 TD 63 KIE			

Pos	Part	Q1	Q2	Q3	Q4	Q5	PS	Kit	Description	Option(s)	Remark
	VOE275774	2	2				SS		Gasket kit		FOR CYLINDER HEAD / FÖR CYLINDERLOCK See ref 211/100
	VOE876199	6							Cylinder liner kit		See ref 213/100
	VOE276929		6						Cylinder liner kit		
	VOE271161	6	6						•Sealing ring kit		

	VOE276310	6	6						•Piston ring kit		
		6							Big end bearing kit		See ref 216/100
		7	7						Mn bearing kit		See ref 216/100
	VOE276751	1	1						Thrust washer kit		STD
	VOE276151	1							Repair kit		FOR OIL PUMP / FÖR OLJEPUMP See ref 221/100
	VOE276152		1						Repair kit		FOR OIL PUMP / FÖR OLJEPUMP
	VOE276803	1					SS		Repair kit		FOR WATER PUMP / FÖR VATTENPUMP See ref 262/150
	VOE276804		1				SS		Water pump kit		
	VOE11997139	1							Overhaul kit		Step 1 / steg 1
	VOE275774	2					SS		•Gasket kit		See ref 211/100
	VOE275776	1	1						•Gasket kit		Supplementary for dezar - bonizing the engine /
											tillägg för sotning
	VOE1661993	1							•Thermostat		See ref 262/100
	VOE471682	3							•Gasket		(VOE424619) See ref 251/150
	VOE420538	6							•Gasket		See ref 251/200
	VOE420618	2							•Gasket		See ref 255/100
	VOE11997140	1					OP		Overhaul kit		Step 1 supplement / steg 1 tillägg See ref 211/100
	VOE465158	6							•Valve seat		
	VOE465155	6							•Valve seat		
	VOE420553	6					SS		•Inlet valve		
	VOE8192143	6							•Exhaust valve		(VOE465549)
	VOE477792	12							•Valve guide		
	VOE270575	6					SS		•Repair kit		
	VOE11997143	1					OP		Overhaul kit		
	VOE270139	6							•Piston Bearing		See ref 216/100

<https://www.ebooklibonline.com>

Hello dear friend!

Thank you very much for reading.

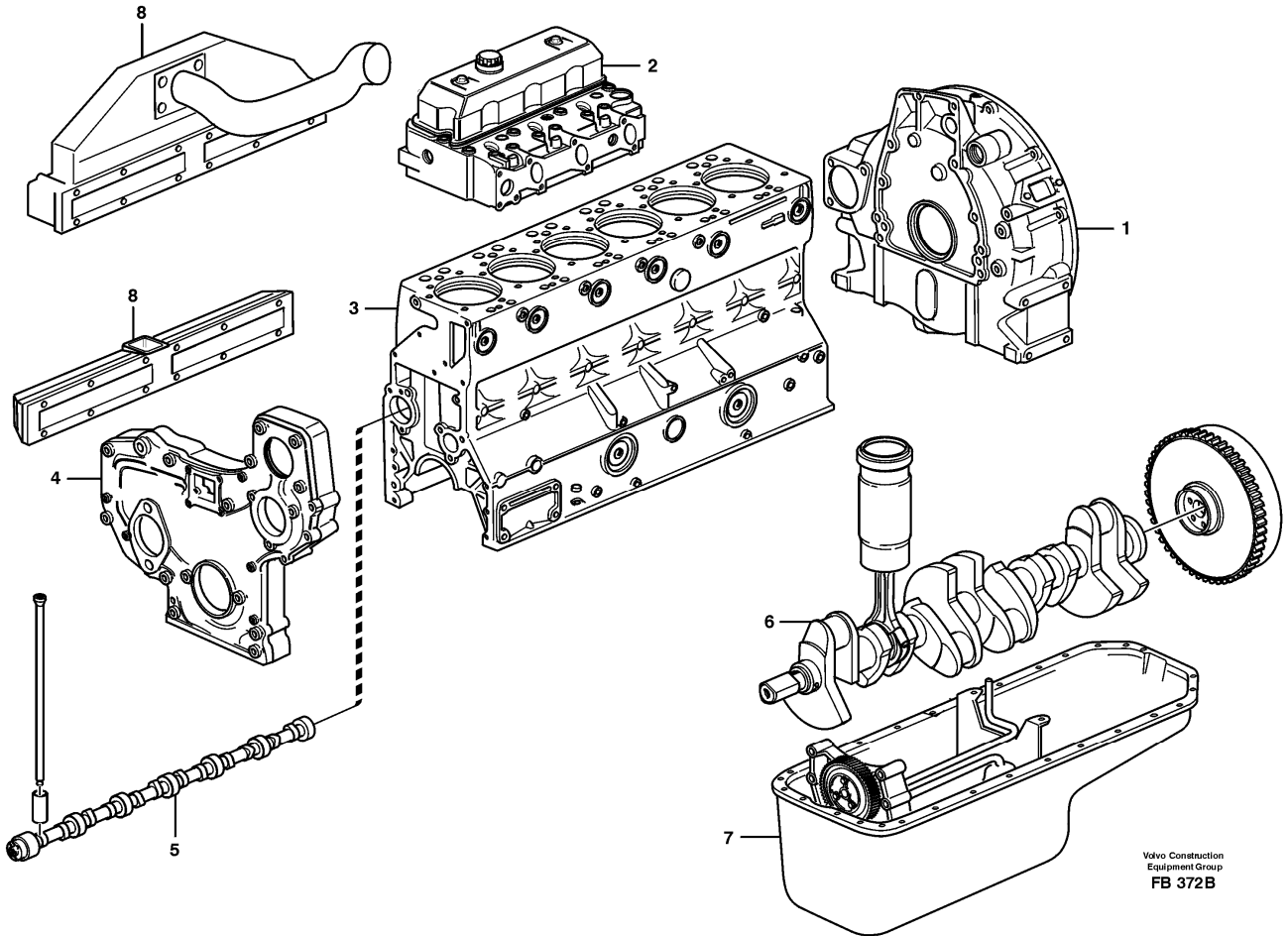
Enter the link into your browser.

The full manual is available for immediate download.

<https://www.ebooklibonline.com>

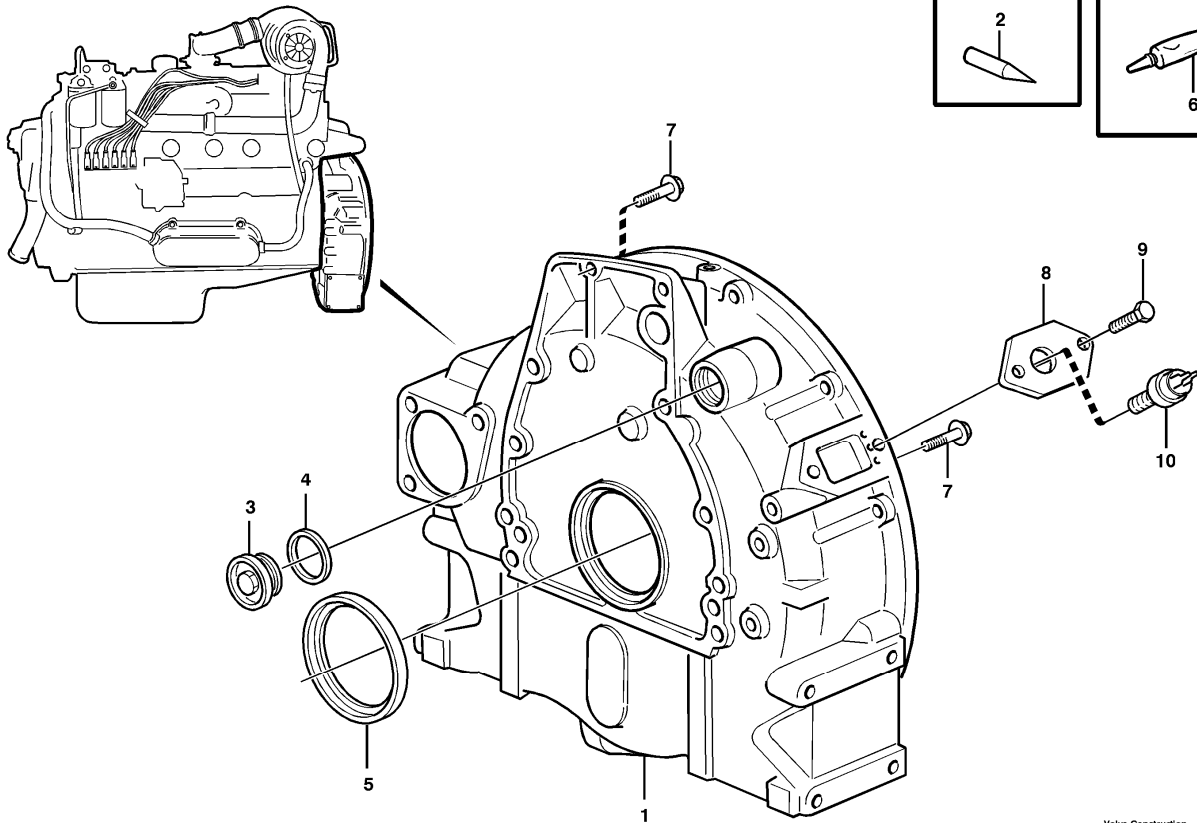
VOE11030751	2								•Sealing ring		
VOE477059	1								•O-ring		
VOE925057	2								•O-ring		
VOE925092	1								•O-ring		
VOE925094	1								•O-ring		
VOE925256	1								•O-ring		
VOE925257	1								•O-ring		
VOE13925095	1								•O-ring		
VOE13948981	1								•O-ring		
VOE13949656	2								•O-ring		
VOE13949722	1								•O-ring		
VOE13975610	1								•O-ring		
VOE477119	1								•Crankshaft seal		

Date: 2013/10/3	Image id: FB372B	Catalogue: 99510	Model: EW230B
Brand: Åkerman	Serial: 1448-1735	Group/Section: 210/150	Title: Motor Td 61 Ge/63 Kie



Pos	Part	Q1	Q2	Q3	Q4	Q5	PS	Kit	Description	Option(s)	Remark
	VOE15003893	1							Engine		(VOE497038)TD 61 GE
	VOE15004131	1							Engine		(VOE8188110)TD 63 KIE
1									Flywheel housing		See ref 210/200
2									Cylinder head		See ref 211/100
3									Cylinder block		See ref 212/100
4									Timing gear casing		See ref 215/100
5									Camshaft		See ref 215/150
6									Crank mechanism		See ref 216/100
7									Oil sump		See ref 217/100
8									Inlet manifold		See ref 251/150
									Charge air cooler		See ref 251/190

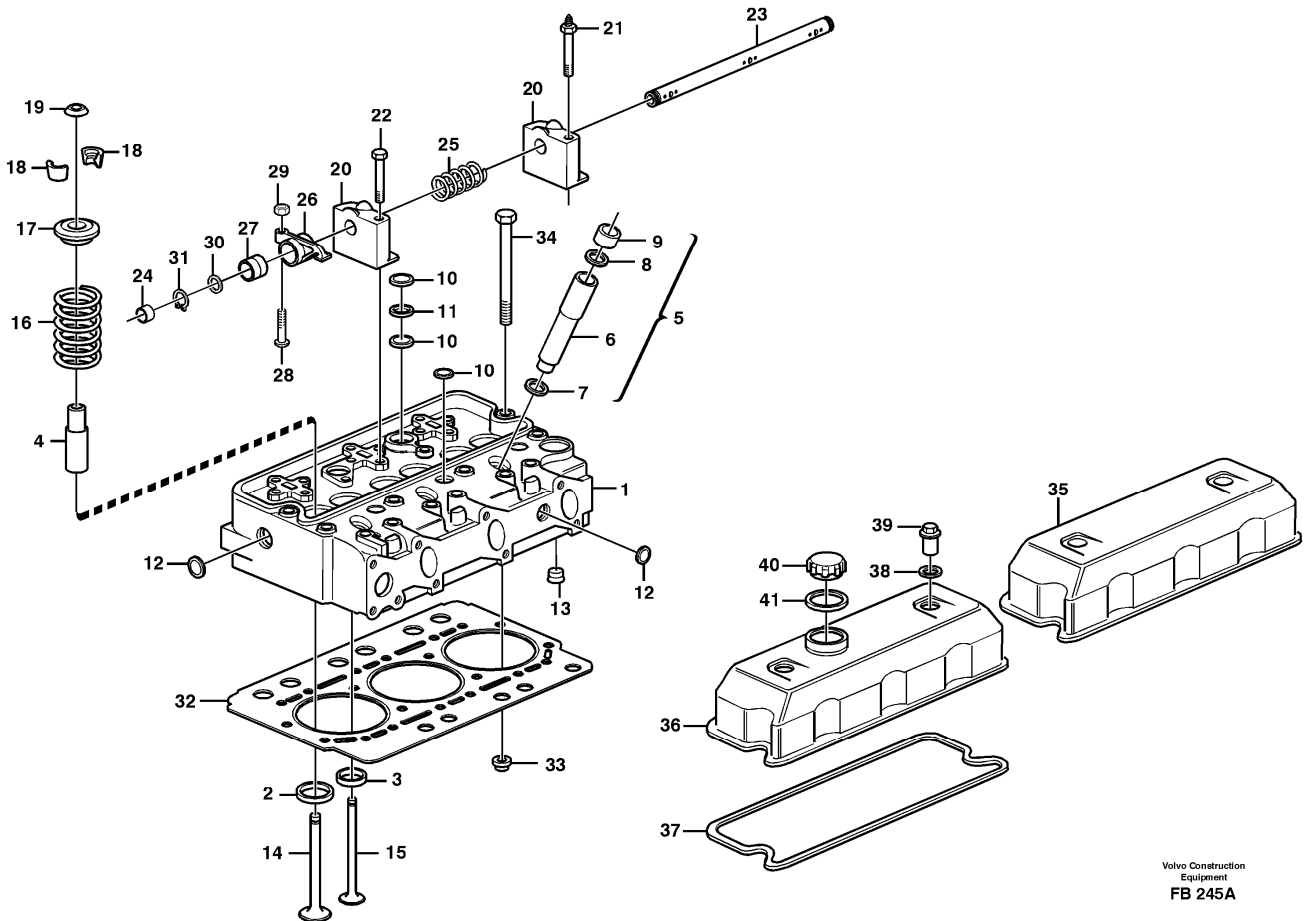
Date: 2013/10/3	Image id: FB246B	Catalogue: 99510	Model: EW230B
Brand: Åkerman	Serial: 1448-1735	Group/Section: 210/200	Title: Flywheel housing



Volvo Construction
Equipment
FB 246B

Pos	Part	Q1	Q2	Q3	Q4	Q5	PS	Kit	Description	Option(s)	Remark
1	VOE4772107	1					SS		Casing		
2	VOE864494	1							Setting Indicator		
3	VOE467367	1							Plug		(VOE467649)
4	VOE1556907	1							Gasket		(VOE469328)
5	VOE477119	1							Crankshaft Seal		
6	VOE1161277	REQ							Sealant		20 g
7	VOE13966361	6							Flange screw		L = 55
	VOE13966363	2							Flange screw		L = 65
	VOE968753	2							Flange screw		L = 75
8	VOE14254562	1							Attachment		
9	VOE13955272	2							Screw		(14014589)
10	VOE14215228	1							Eng Sp Sensor		

Date: 2013/10/3	Image id: FB245A	Catalogue: 99510	Model: EW230B
Brand: Åkerman	Serial: 1448-1735	Group/Section: 211/100	Title: Cylinder head TD 61 GE

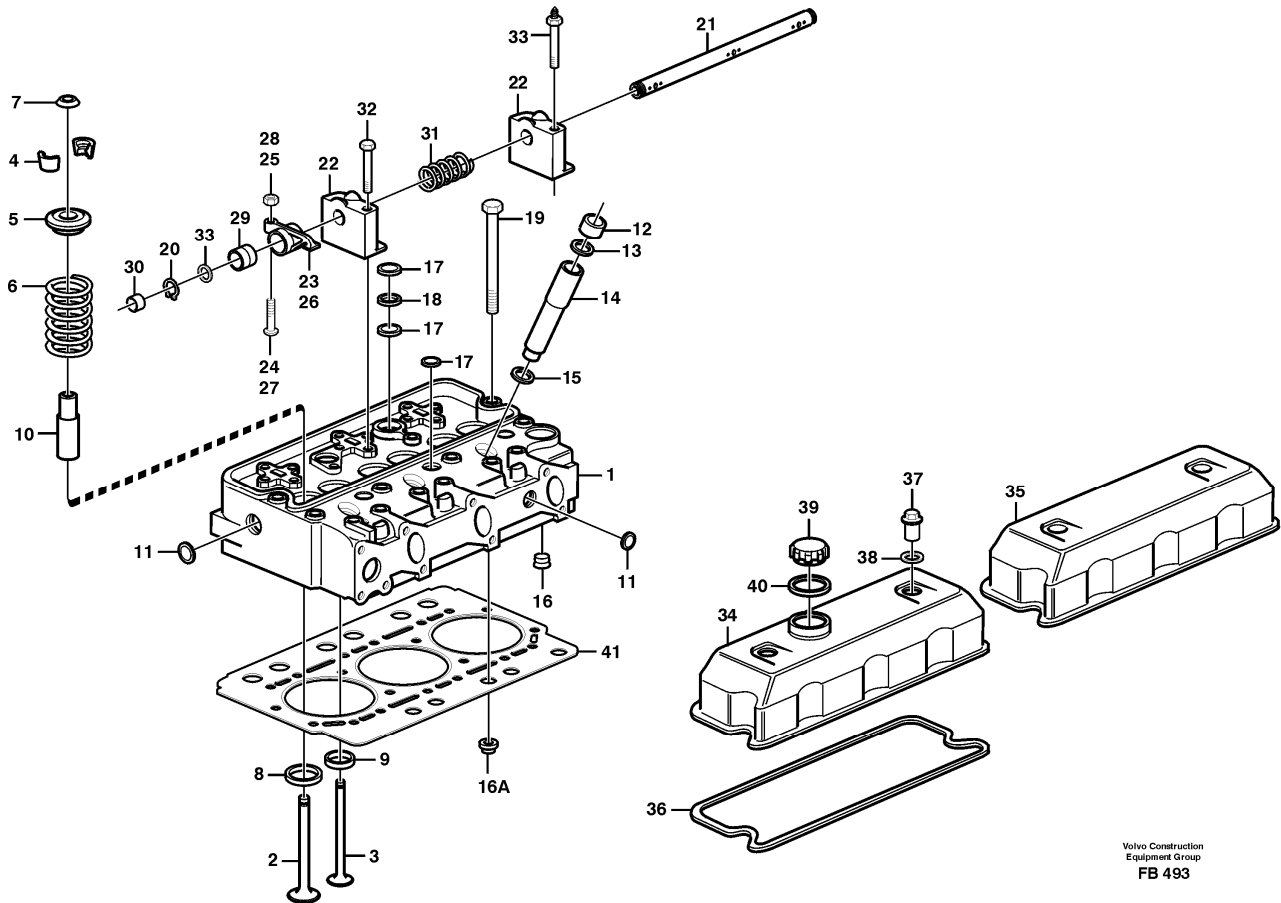


Volvo Construction
Equipment
FB 245A

Pos	Part	Q1	Q2	Q3	Q4	Q5	PS	Kit	Description	Option(s)	Remark
1	VOE465781	2					NS		••Cylinder head		
2	VOE465158	6							•••Valve seat		STD: inlet / insug
	VOE465238	6							•••Valve seat		0,20 O SZ
3	VOE465155	6							•••Valve seat		STD: exhaust / avgas
	VOE465236	6							•••Valve seat		0,20 O SZ
4	VOE477792	12							•••Valve guide		
5	VOE270575	2					SS		••Repair kit		
6	VOE8192085	6							•••Sleeve		(VOE466404)
7	VOE466922	6							•••Sealing ring		
8	VOE466405	6							•••Sealing ring		
9	VOE466420	6							•••Ring		
10	VOE477026	14							•••Expansion plug		
11	VOE947626	4							•••Gasket		
12	VOE477024	8							•••Expansion plug		

13	VOE465420	4							•••Nozzle		
14	VOE420553	6					SS		•Inlet valve		
15	VOE8192143	6							•Exhaust valve		(VOE465549)
16	VOE465233	12							•Valve spring		
17	VOE465550	12							•Washer		
18	VOE1677875	24							•Valve Collet		
19	VOE465551	12							•Protecting sleeve		
20	VOE1665204	6							Bearing Bracket		(VOE465793)
21	VOE471512	4							Screw		
22	VOE471513	8							Screw		
23	VOE465790	2							Shaft		
24	VOE13955083	4							•Cap plug		(VOE955083)
25	VOE411139	4							Spring		
26	VOE7420129	6							Rocker arm		inlet / insug
	VOE420132	6							Rocker arm		exhaust / avgas
27	VOE420125	12							•Bushing		(VOE7420125)
28	VOE422993	12							•Bolt		(VOE423058)
29	VOE940175	12							•Nut		
30	VOE7400722	4							Shim		(VOE400722)
31	VOE914456	4							Retaining ring		
	VOE276821	2							Gasket kit		
32		2					NS		•Gasket		cylinderhuvud
33	VOE422413	2							•Sealing ring		ID = 10
	VOE466421	16							•Sealing ring		ID = 15
	VOE465784	12							•Sealing		ID = 25
34	VOE465840	40							Screw		
35	VOE465951	1							Valve cover		
36	VOE465950	1					OP		Valve cover		
37	VOE465952	2							Gasket		
38	VOE471856	4							Sealing ring		
39	VOE465961	4							Cap nut		
40	VOE421753	1							Filler cap		
41	VOE1275379	1							Gasket		(VOE940096)

Date: 2013/10/3	Image id: FB493	Catalogue: 99510	Model: EW230B
Brand: Åkerman	Serial: 1448-1735	Group/Section: 211/200	Title: Cylinder head TD 63/KIE

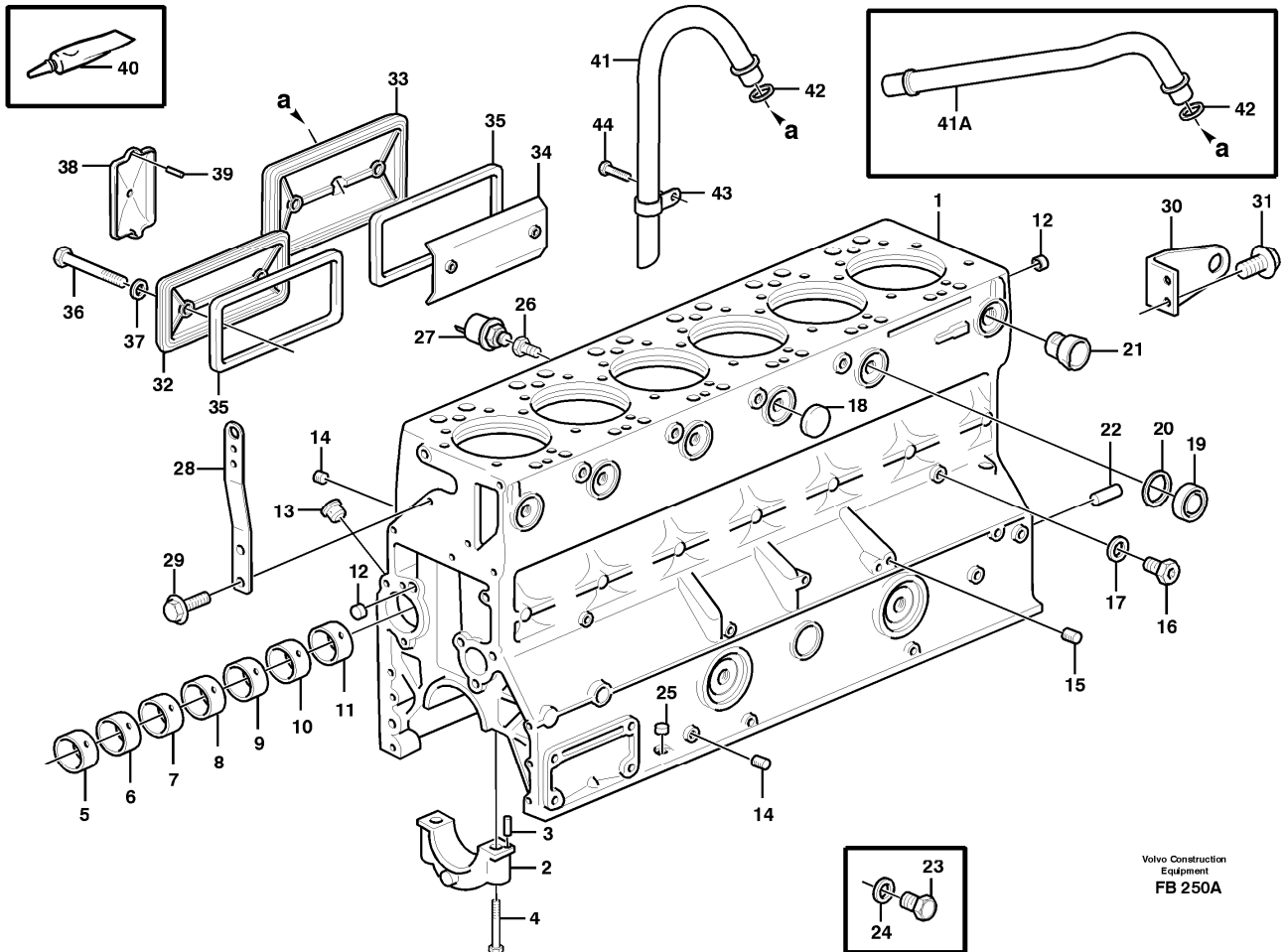


Volvo Construction
Equipment Group
FB 493

Pos	Part	Q1	Q2	Q3	Q4	Q5	PS	Kit	Description	Option(s)	Remark
1	VOE420878	2							Cylinder head		
2	VOE420553	6					SS		•Inlet valve		
3	VOE8192143	6							•Exhaust valve		
4	VOE1677875	24							•Valve Collet		
5	VOE465550	12							•Washer		
6	VOE465233	12							•Valve spring		
7	VOE465551	12							•Protecting sleeve		
8	VOE420874	6							•Valve seat		
9	VOE420875	6							•Valve seat		
10	VOE477792	12							•Valve guide		
11	VOE477024	8							•Expansion plug		
12	VOE466420	6							•Ring		
13	VOE466405	6							•Sealing ring		

14	VOE8192085	6							•Sleeve		
15	VOE466922	6							•Sealing ring		
16	VOE465420	4							•Nozzle		
16A	VOE422413	2						K	•Sealing ring		ID = 10
	VOE466421	16						K	•Sealing ring		ID = 15
	VOE465784	12						K	•Sealing		ID = 25
17	VOE477026	14							•Expansion plug		
18	VOE947626	4							•Gasket		
19	VOE465840	40							•Screw		
	VOE3978024	2						NS	•Bridge		
20	VOE914456	4							•Retaining ring		
21	VOE465791	2						NS	•Shaft		
22	VOE1665204	6							•Bearing Bracket		
23	VOE7420129	3							•Rocker arm		
24	VOE422993	3							••Bolt		
25	VOE940175	3							••Nut		
26	VOE420132	3							••Rocker arm		
27	VOE422993	3							•••Bolt		
28	VOE940175	3							•••Nut		
29	VOE420125	12							•••Bushing		
30	VOE13955083	4							••Cap plug		
31	VOE411139	4							••Spring		
32	VOE471513	8							••Screw		
33	VOE471512	4							••Screw		
34	VOE8192015	1							••Valve cover		
35	VOE8192016	1							••Valve cover		
36	VOE8192009	2							••Sealing strip		
37	VOE8148488	4							••Lock nut		
38	VOE8192526	4							••Bushing		
39	VOE421753	1							••Filler cap		
40	VOE1275379	1							••Gasket		(VOE940096)
41		2						K	Gasket		
	VOE276821								Gasket kit		

Date: 2013/10/3	Image id: FB250A	Catalogue: 99510	Model: EW230B
Brand: Åkerman	Serial: 1448-1735	Group/Section: 212/100	Title: Cylinder block

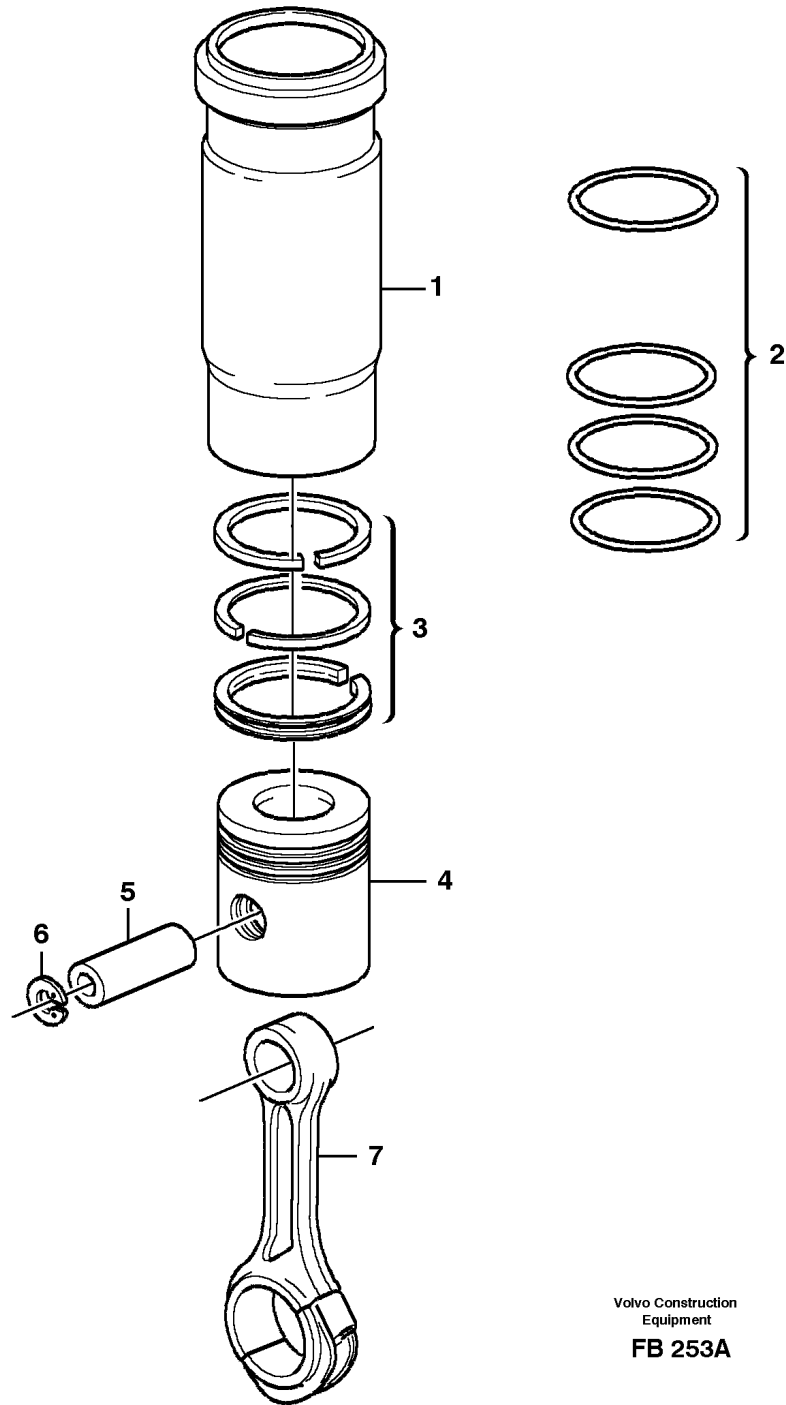


Q1-Q5	Option	Option description	
Q1 TD 61 GE			
Q2 TD 63 KIE			

Pos	Part	Q1	Q2	Q3	Q4	Q5	PS	Kit	Description	Option(s)	Remark
	VOE420990	1	1						Cylinder block		
1	VOE420981	1	1				NS		•Cylinder block		
2		7	7				NS		•Cap		
3	VOE422426	7	7						•Pin		
4	VOE465899	14	14						•Screw		
5	VOE422076	1	1						•Bushing		
6	VOE422077	1	1						•Bushing		(VOE7422077)
7	VOE422078	1	1						•Bushing		

8	VOE11000014	1	1						•Bushing		(VOE422079)
9	VOE422080	1	1						•Bushing		(VOE7422080)
10	VOE422081	1	1						•Bushing		
11	VOE422082	1	1						•Bushing		
12	VOE955082	6	6						•Cap plug		
13	VOE422369	2	2						•Plug		
14	VOE479979	5	5						•Plug		1/8"NPTF
15	VOE952076	3	3				SS		•Plug		3/8"NPTF
16	VOE965768	1	1				SE		•Plug		
17	VOE13947281	1	1						•Gasket		
18	VOE968955	4	4				SE		•Expansion Plug		
19	VOE467367	2	2						•Plug		(VOE467649)
20	VOE1556907	2	2						•Gasket		(VOE469328)
21	VOE421154	6	6						•Nozzle		
22	VOE191171	2	2						•Pin		(VOE191171)
23	VOE960630	1	1						Plug		
24	VOE13969011	1	1						Gasket		
25	VOE955082	2	2						Cap plug		
26	VOE835980	1	1						Nipple		
27	VOE864415	1	1						Oil pressure sensor		
28	VOE848346	1	1				NS		Iron		Front / främre
29	VOE13965191	2	2						Screw		
30	VOE465994	2	2				NS		Lifting eye		Rear / bakre
31	VOE13965191	4	4						Screw		
32	VOE420120	1	1						Inspection lid		
33	VOE420121	1	1						Hatch		
34	VOE3978045	1	1						Splash plate		(VOE471858)
35	VOE421121	2	2						Gasket		
36	VOE471855	5	5						Screw		
37	VOE471856	5	5						Sealing ring		
38	VOE471854	1	1						Cover		
39	VOE951974	1	1						Spring pin		
40	VOE1161277	REQ	REQ						Sealant		20 g
41	VOE848497	1							Breather pipe		
41A	VOE11032901		1						Breather pipe		
42	VOE421158	1	1						Sealing ring		
43	VOE968124	1							Clamp		
44	VOE946440	1							Flange screw		

Date: 2013/10/3	Image id: FB253A	Catalogue: 99510	Model: EW230B
Brand: Åkerman	Serial: 1448-1735	Group/Section: 213/100	Title: Cylinder liner and piston



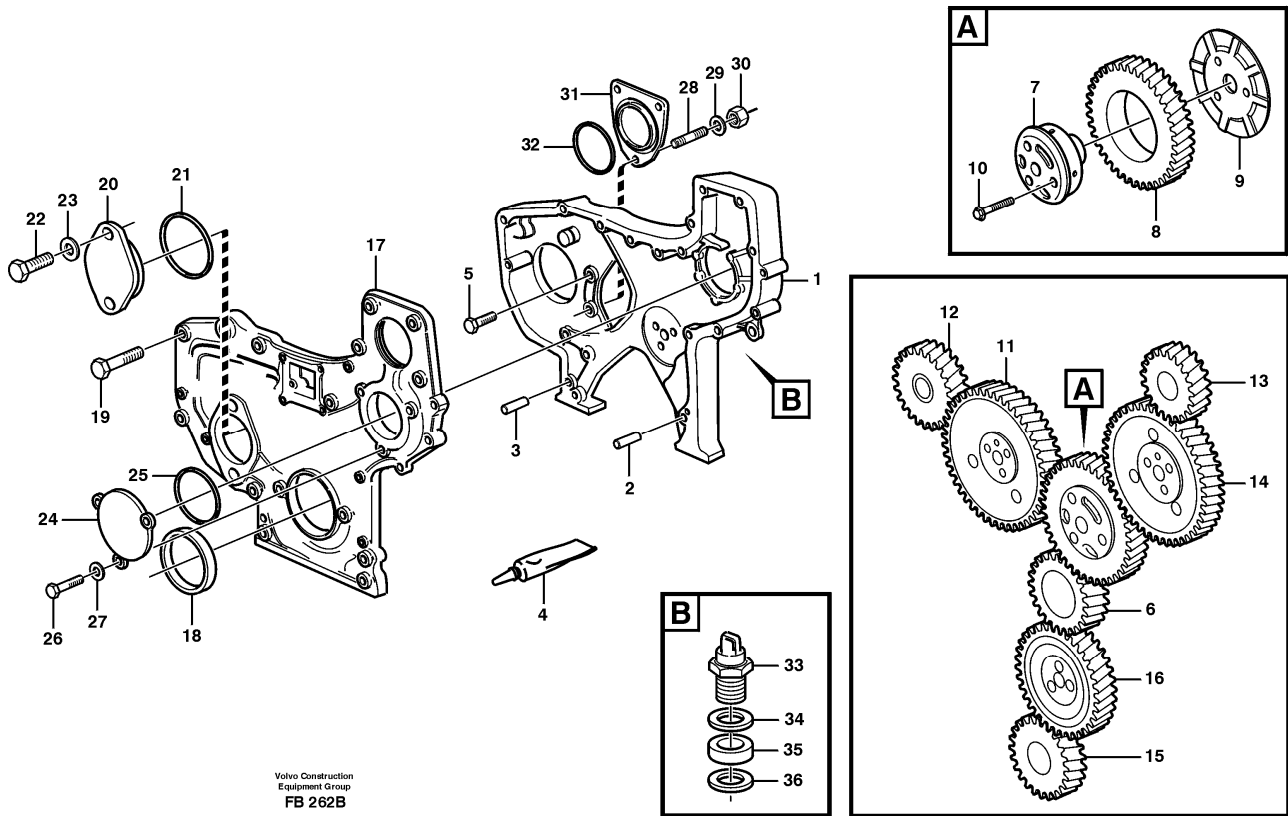
Volvo Construction
Equipment
FB 253A

Q1-Q5	Option	Option description	
Q1 TD 61 GE			

Q2 TD 63 KIE			
--------------	--	--	--

Pos	Part	Q1	Q2	Q3	Q4	Q5	PS	Kit	Description	Option(s)	Remark
		6							Cylinder liner kit		See ref 210/100
			6						Cylinder liner kit		See ref 210/100
1		6	6				NS		•Cylinder liner		
2		6	6						•Seg ring kit		See ref 210/100
3		6	6						•Piston ring kit		See ref 210/100
4	VOE847386	6					NS		•Piston		
	VOE3978040		6				NS		•Piston		
5	VOE3978023	6							•Piston Pin		(VOE420988)
	VOE3978023		6						•Piston Pin		
6	VOE914523	12	12						•Snap Ring		
7		6	6						Connecting rod		See ref 216/100

Date: 2013/10/3	Image id: FB262B	Catalogue: 99510	Model: EW230B
Brand: Åkerman	Serial: 1448-1735	Group/Section: 215/100	Title: Timing gear casing

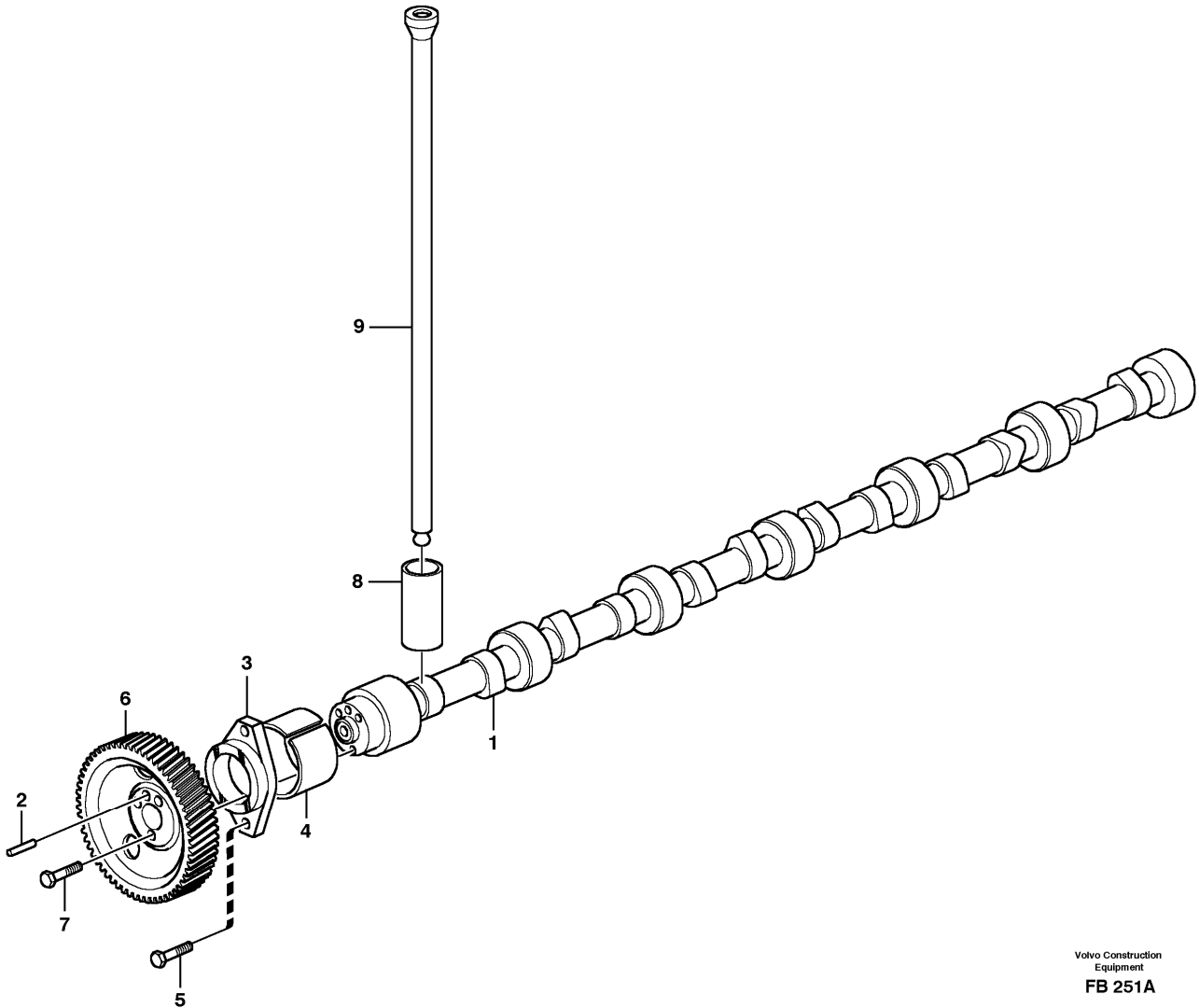


Q1-Q5	Option	Option description	
Q1 TD 61 GE			
Q2 TD 63 KIE			

Pos	Part	Q1	Q2	Q3	Q4	Q5	PS	Kit	Description	Option(s)	Remark
1	VOE465797	1							Timg Gear Casing		
	VOE8192775		1				SS		Timg Gear Casing		
2	VOE13941511	1	1						Pin		(941511)
3	VOE13941510	1	1						Pin		(941510)
4	VOE1161277	REQ	REQ						Sealant		20 g
5	VOE471534	2	2						Screw		L = 28
	VOE471535	2	2						Screw		L = 58
6		1	1						Gear		Crankshaft / vevaxel See ref 216/100
7	VOE11704619	1	1						Axle		
8	VOE8192518	1	1						Idler Gear		(VOE471552)
9	VOE478951	1	1						Thrust Washer		(VOE467529)

10	VOE471554	3	3						Screw		
11		1	1						Gear		Camshaft / kamaxel See ref 215/150
12		1	1						Gear		Gear/Servopump See ref 914/700
13		1							Gear		Water pump TD 61 See ref 262/150
			1						Gear		Water pump TD 63 See ref 262/125
14		1							Gear		Injection pump TD 61 See ref 236/100
			1						Gear		Insprutn.pump TD 63 See ref 236/300
15		1	1						Gear		Oil pump / oljepump See ref 221/100
16		1	1						Gear		Oil pump / oljepump See ref 221/100
17	VOE465797	1							Tmg Gear Casing		
	VOE8192590		1						Tmg Gear Cover		
			1			NS			•Timing gear cover		
18	VOE477118	1	1						•Sealing ring		
19	VOE13947760	7	7						Flange screw		L = 40: (947760)
	VOE13948217	2	2						Flange screw		L = 45: (948217)
	VOE13965216	1	1						Screw		L = 55: (965216)
	VOE13965182	6	6						Flange screw		L = 80: (965182)
	VOE13965183	2	2						Flange screw		L = 90: (965183)
	VOE965225	1	1						Flange screw		M12, L = 35
20	VOE465735	1	1						Cap		
21	VOE925094	1	1						O-ring		
22	VOE946472	1	1						Flange screw		L = 30
	VOE13965187	1	1						Flange screw		L = 60: (965187)
23	VOE955895	2	2						Washer		
24	VOE471559	1	1						Cap		
25	VOE925257	1	1						O-ring		
26	VOE13945444	3	3						Flange screw		(VOE945444)
27	VOE13941907	3	3						Spring Washer		(VOE941907)
28	VOE967951	3	3						Stud		
29	VOE955899	3	3						Washer		
30	VOE13971097	3	3						Flange nut		(VOE965484)
31	VOE420178	1	1						Cover		
32	VOE13975610	1	1						O-ring		(VOE413619)
33	VOE1502028	1	1						Eng Sp Sensor		
34	VOE13947624	1	1						Plane Gasket		
35	VOE863412	1	1						Sleeve		
36	VOE925059	1	1						O-ring		(14012270)

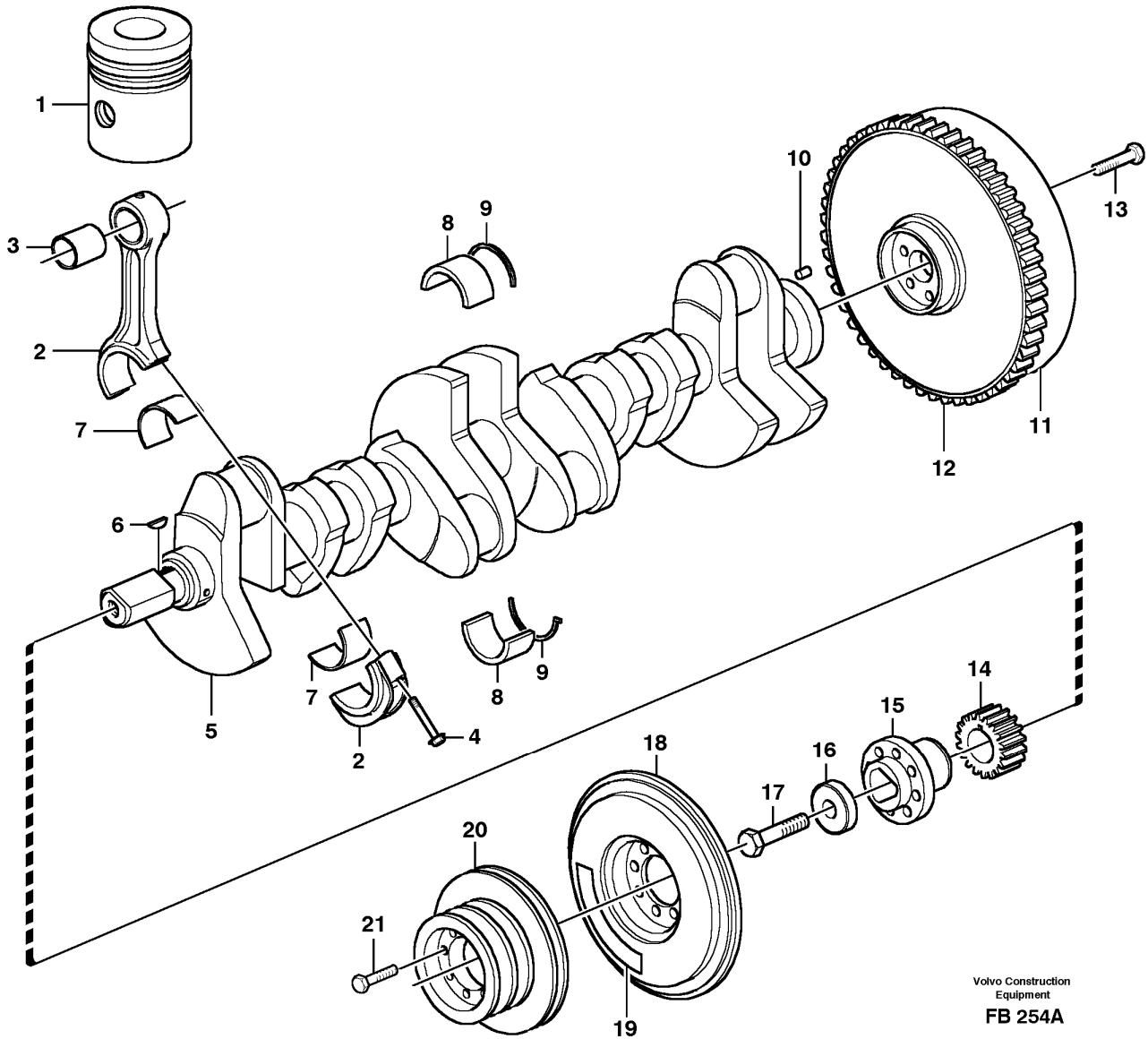
Date: 2013/10/3	Image id: FB251A	Catalogue: 99510	Model: EW230B
Brand: Åkerman	Serial: 1448-1735	Group/Section: 215/150	Title: Camshaft



Volvo Construction
Equipment
FB 251A

Pos	Part	Q1	Q2	Q3	Q4	Q5	PS	Kit	Description	Option(s)	Remark
1	VOE465787	1							Camshaft		
2	VOE950588	1							•Pin		
3	VOE465789	1							Flange		
4		7							Bearing bushing		See ref 212/100
5	VOE471509	2							Screw		
6	VOE478297	1							Gear		TD 61 GE
	VOE471528	1							Gear		TD 63 KIE
7	VOE471555	3							Screw		TD 61 GE
	VOE471554	3							Screw		TD 63 KIE

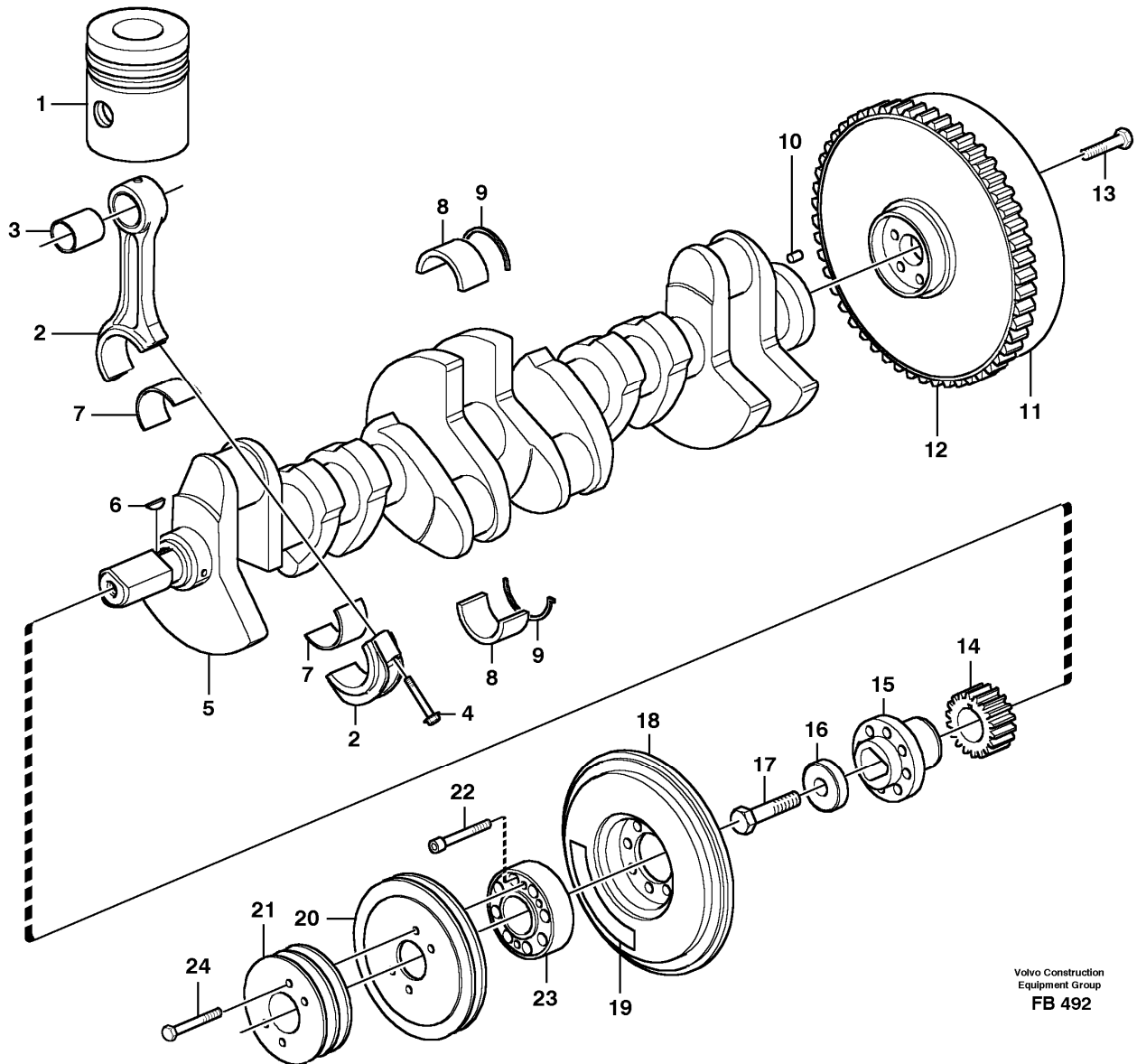
Date: 2013/10/3	Image id: FB254A	Catalogue: 99510	Model: EW230B
Brand: Åkerman	Serial: 1448-1735	Group/Section: 216/100	Title: Crankshaft and related parts TD 61 GE



Pos	Part	Q1	Q2	Q3	Q4	Q5	PS	Kit	Description	Option(s)	Remark
1		6							Cylinder liner kit		
2	VOE3092237	6							Connecting Rod		(VOE465812)
3	VOE465816	6							•Bushing		
4	VOE465815	12							•Screw		
5	VOE420662	1					SS		Crankshaft		ENG - 106089, 6 hole
	VOE8192122	1					SS		Crankshaft		ENG 106090 -, 9 hole
6	VOE422253	1							•Key		

7	VOE270139	12						Piston Bearing		STD
	VOE270140	12						Big End Brg Kit		0,25 U SZ
	VOE270141	12						Big End Brg Kit		0,50 U SZ
	VOE270142	12						Big End Brg Kit		0,75 U SZ
	VOE270144	6					OP	Big End Brg Kit		1,25 U SZ
8	VOE271230	7						Mn Bearing Kit		STD
	VOE271231	7						Mn Bearing Kit		0,25 U SZ
	VOE271232	7						Mn Bearing Kit		0,50 U SZ
	VOE271233	7						Mn Bearing Kit		0,75 U SZ
	VOE271234	7						Mn Bearing Kit		1,00 U SZ
9	VOE276751	1						Thr Washer Kit		STD
	VOE276752	1						Thrust Washer		(VOE7276752)0,1 O SZ
	VOE276753	1						Thrust Washer		(VOE7276753)0,2 O SZ
10	VOE950677	1						Pin		
11	VOE864260	1					OP	Flywheel		ENG - 106089, 6 hole
	VOE3825732	1						Flywheel		ENG 106090 -, 9 hole
12	VOE420314	1						•Gear Ring		(VOE420067)
13	VOE465825	6-9						Screw		ENG - 106089
14	VOE471528	1						Gear		
15	VOE465779	1						Hub		
16	VOE420124	1						Washer		
17	VOE470366	1						Screw		
18	VOE421515	1						Vib Damper		
19	VOE467834	1						Sign		
20	VOE4772117	1						Strap		
21	VOE471529	8						Screw		

Date: 2013/10/3	Image id: FB492	Catalogue: 99510	Model: EW230B
Brand: Åkerman	Serial: 1448-1735	Group/Section: 216/200	Title: Crankshaft and related parts TD 63 KIE

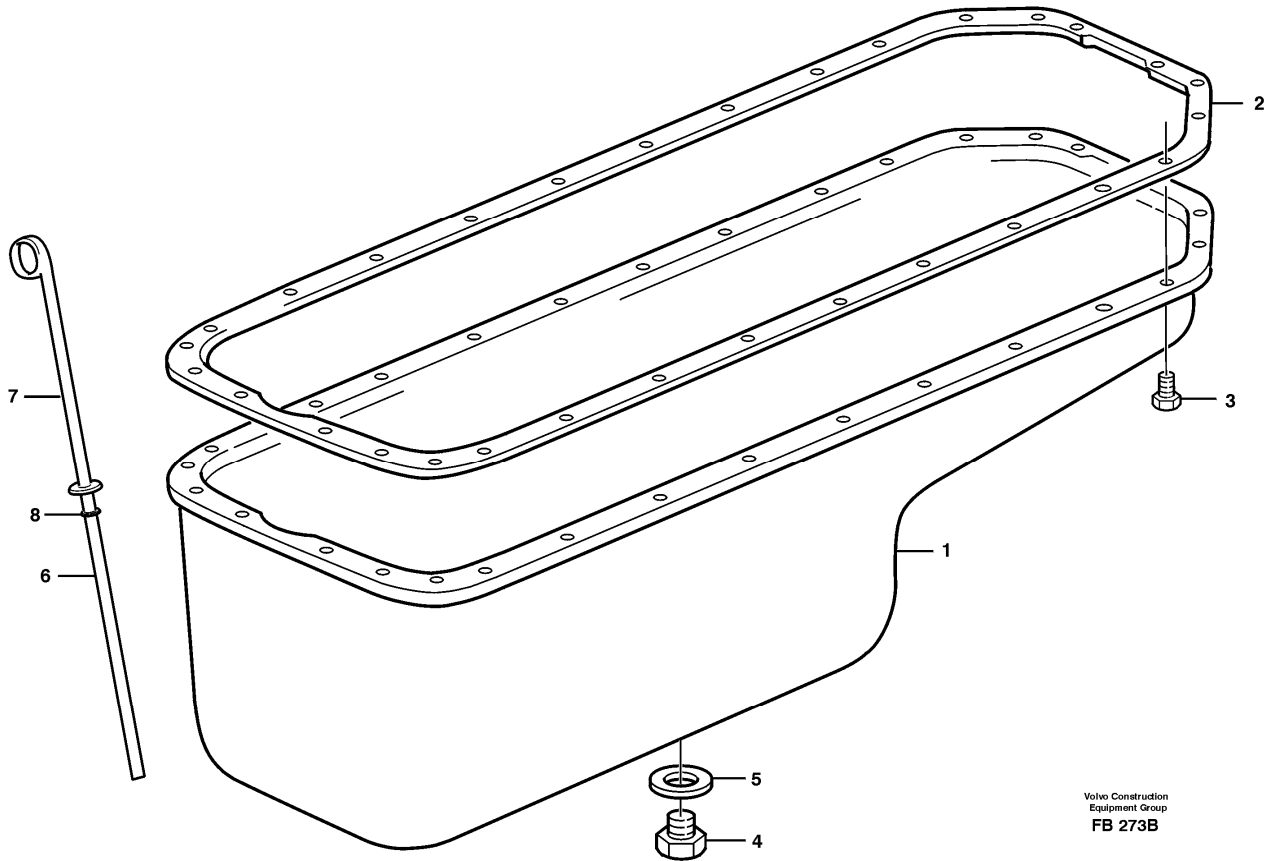


Volvo Construction
Equipment Group
FB 492

Pos	Part	Q1	Q2	Q3	Q4	Q5	PS	Kit	Description	Option(s)	Remark
1		6							Cylinder liner kit		
2	VOE8192120	6					SS		Connecting Rod		
3	VOE465816	6							•Bushing		
4	VOE465815	12							•Screw		
5	VOE8192122	1					SS		Crankshaft		
6	VOE422253	1							•Key		
7	VOE270139	12							Piston Bearing		

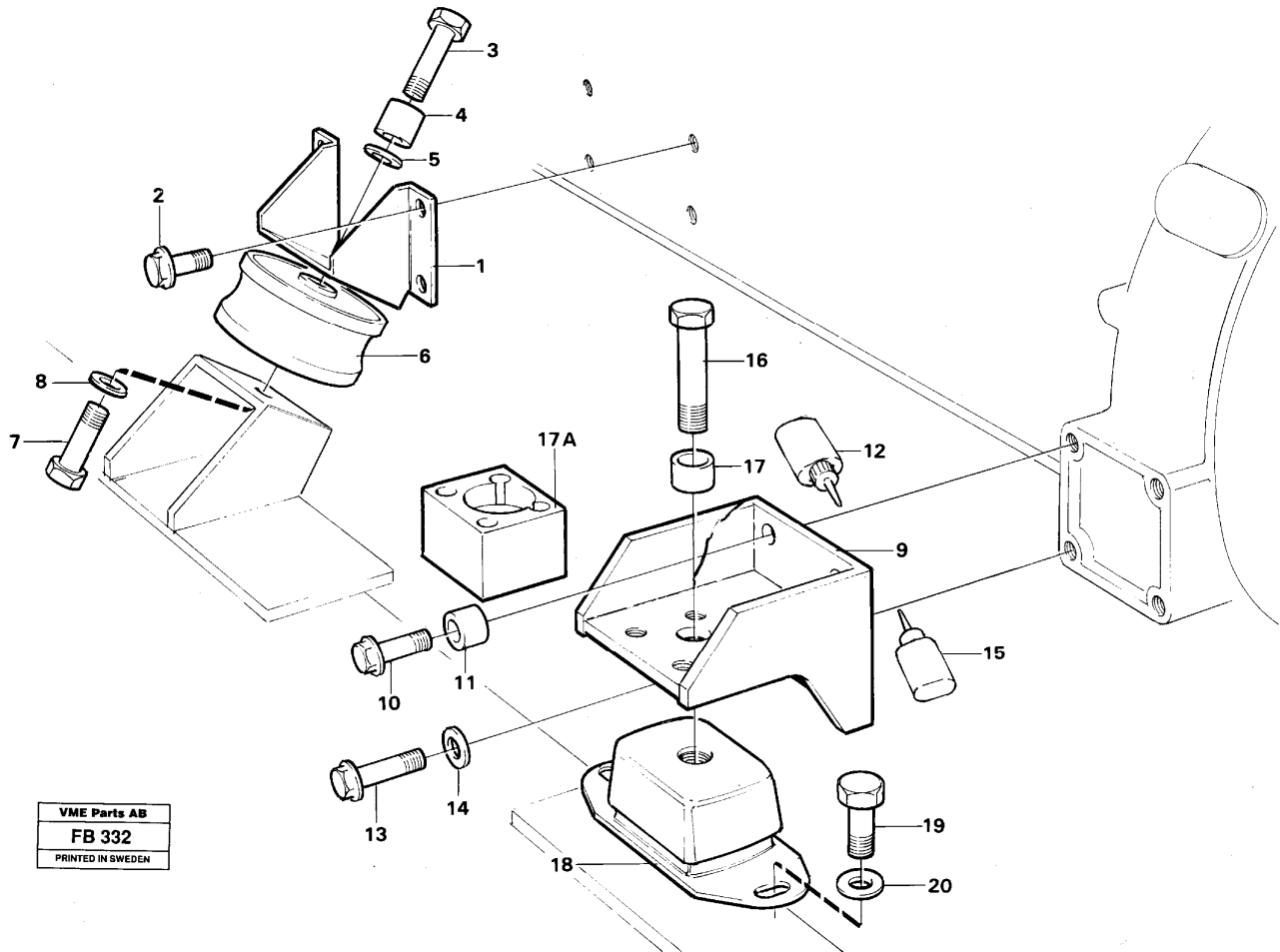
	VOE270140	12							Big End Brg Kit		0,25 U SZ
	VOE270141	12							Big End Brg Kit		0,50 U SZ
	VOE270142	12							Big End Brg Kit		0,75 U SZ
	VOE270144	6					OP		Big End Brg Kit		1,25 U SZ
8	VOE271230	7							Mn Bearing Kit		STD
	VOE271231	7							Mn Bearing Kit		0,25 U SZ
	VOE271232	7							Mn Bearing Kit		0,50 U SZ
	VOE271233	7							Mn Bearing Kit		0,75 U SZ
	VOE271234	7							Mn Bearing Kit		1,00 U SZ
9	VOE276751	1							Thr Washer Kit		STD
	VOE276752	1							Thrust Washer		(VOE276752)0,1 O SZ
	VOE276753	1							Thrust Washer		(VOE276753)0,2 O SZ
10	VOE950677	1							Pin		
11	VOE3825732	1							Flywheel		
12	VOE420314	1							•Gear Ring		(VOE420067)
13	VOE465825	6							Screw		
14	VOE471528	1							Gear		
15	VOE4772218	1							Hub		
16	VOE420124	1							Washer		
17	VOE470366	1							Screw		
18	VOE421515	1							Vib Damper		
19	VOE467834	1							Sign		
20	VOE4772217	1							Strap		
21	VOE4772236	1							Strap		
22	VOE4772247	8							Screw		
23	VOE4772218	1							Hub		
24	VOE13965187	4							Flange screw		

Date: 2013/10/3	Image id: FB273B	Catalogue: 99510	Model: EW230B
Brand: Åkerman	Serial: 1448-1735	Group/Section: 217/100	Title: Oil sump / oil dipstick



Pos	Part	Q1	Q2	Q3	Q4	Q5	PS	Kit	Description	Option(s)	Remark
1	VOE11162235	1							Oil Pan		(VOE465622)
2	VOE11030778	1							Gasket		(865341)
3	VOE946440	34							Flange screw		
4	VOE13949175	1							Magnetic Plug		(949175)
5	VOE949329	1							Gasket		
6	VOE862055	1							Pipe		
7	VOE862197	1					OP		Oil Dipstick		SER NO -2480
	VOE11030836	1							Oil dipstick		SER NO 2481-
8	VOE955984	1							O-ring		

Date: 2013/10/3	Image id: FB332	Catalogue: 99510	Model: EW230B
Brand: Åkerman	Serial: 1448-1735	Group/Section: 218/100	Title: Engine mounting TD 61 GE



Pos	Part	Q1	Q2	Q3	Q4	Q5	PS	Kit	Description	Option(s)	Remark
1	VOE465243	2							Bracket		
2	VOE13965192	4							Screw		
3	VOE13970974	2							Hexagon screw		(14014622)
4	VOE14040547	2							Spacer		
5	VOE14015146	2							Washer		
6	VOE14237784	2							Rubber cushion		
7	VOE13970974	2							Hexagon screw		(14014622)
8	VOE13930908	2							Washer		(VOE14015135)
9	VOE14248379	2							Engine anchorage		
10	VOE13965193	4							Screw		
11	VOE14252182	4							Spacer		
12	VOE14024293	REQ					OP		Locking fluid		250 ml
13	VOE965227	4							Flange screw		

14	VOE14248129	4							Washer		
15	VOE14024293	REQ					OP		Locking fluid		250 ml
16	VOE955392	1							Hexagon screw		LH: L = 80; (14016509)
	VOE955393	1							Hexagon screw		RH: L = 90; (14023352)
17	VOE14042803	1							Spacer		LH
17A	VOE14248380	1							Spacer		RH
18	VOE14216299	2							Rubber damper		
19	VOE955363	4							Hexagon screw		(14014631)
20	VOE14015147	4							Washer		



Suggest:

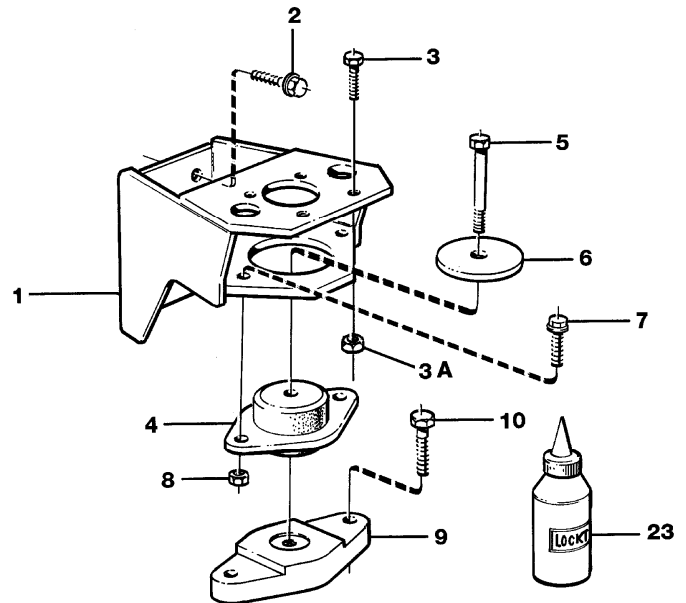
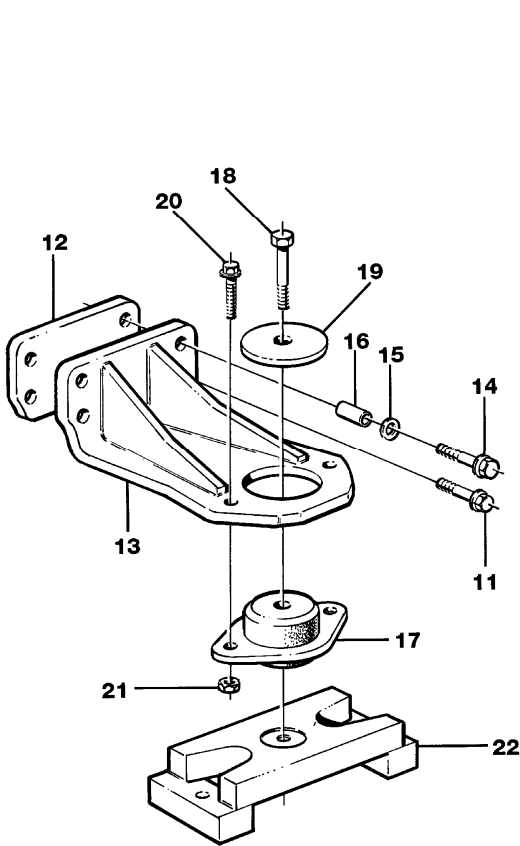
For more complete manuals. Please go to the home page.

<https://www.ebooklibonline.com>

If the above button click is invalid. Please download this document first, and then click the above link to download the complete manual.

Thank you so much for reading

Date: 2013/10/3	Image id: FB481	Catalogue: 99510	Model: EW230B
Brand: Åkerman	Serial: 1448-1735	Group/Section: 218/200	Title: Engine mounting TD 63 KIE



Volvo Construction
Equipment
FB 481

Pos	Part	Q1	Q2	Q3	Q4	Q5	PS	Kit	Description	Option(s)	Remark
1	VOE14341798	2							Engine anchorage		
2	VOE13965191	4							Screw		
3	VOE13946817	4							Screw		RH - REAR
	VOE13965191	4							Screw		LH - REAR
3A	VOE13971090	4							Lock nut		LH - REAR
4	VOE14343641	2							Rubber cushion		
5	VOE13955374	2							Screw		
6	VOE14342464	2							Washer		
7	VOE13965192	4							Screw		
8	VOE13971090	4							Lock nut		
9	VOE14341801	2							Adapter		
10	VOE13955366	4							Screw		
11	VOE13965194	7							Screw		
12	VOE14341881	2							Spacer		
13	VOE14343182	2							Engine anchorage		

14	VOE965197	1							Flange screw		(VOE13965197)
15	VOE14015146	1							Washer		
16	VOE14252182	1							Spacer		
17	VOE14343640	2							Rubber cushion		
18	VOE13955374	2							Screw		
19	VOE14342464	2							Washer		
20	VOE13965192	4							Screw		
21	VOE13971090	4							Lock nut		
22	VOE14342044	2							Adapter		
23	VOE14024293	ERF					OP		Locking fluid		

<https://www.ebooklibonline.com>

Hello dear friend!

Thank you very much for reading.

Enter the link into your browser.

The full manual is available for immediate download.

<https://www.ebooklibonline.com>