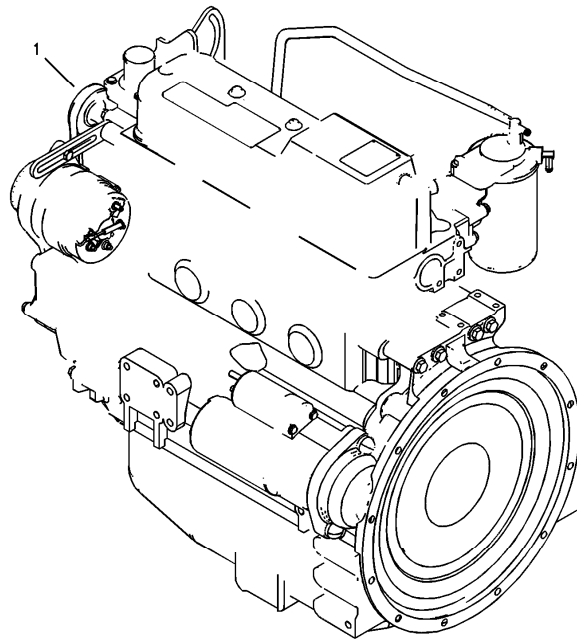


Date: <b>2013/12/12</b>	Image id: <b>1006949</b>	Catalogue: <b>20020</b>	Model: <b>EW55B</b>
Brand: <b>Volvo</b>	Serial: <b>30001-99999</b>	Group/Section: <b>210/100</b>	Title: <b>Engine</b>



Volvo Construction  
Equipment  
1006949

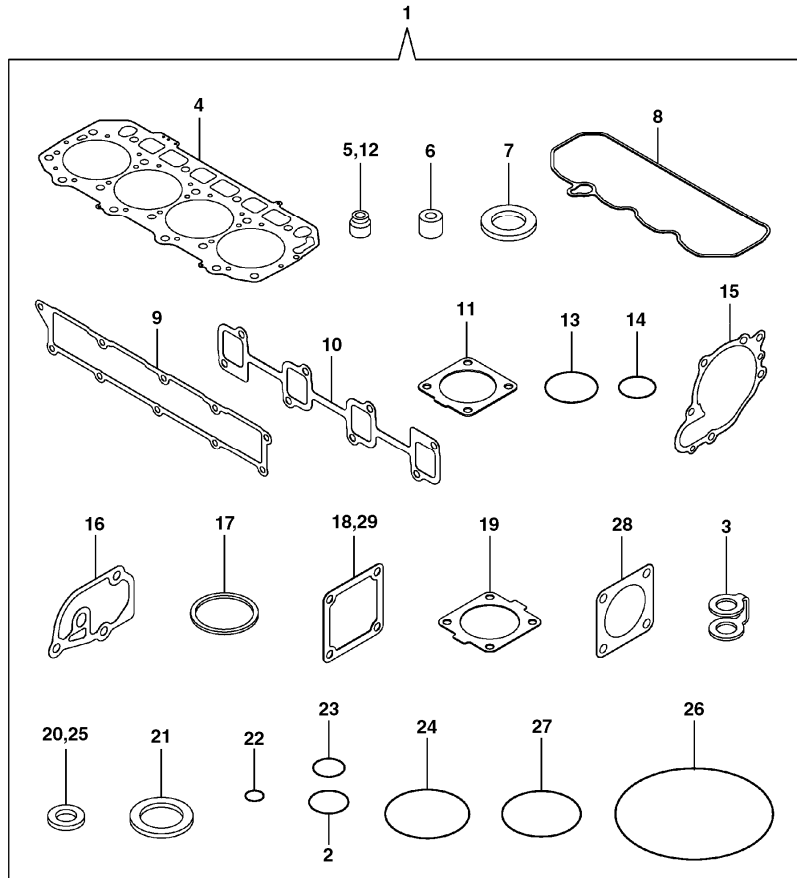
Section option	Kit	Option description
VOE8278942		Engine without Epa label INT AND KOREAN MARKET
VOE8278943		Engine with Epa label EMISSION CERTIFICATED FROM EPA

Q1-Q5	Option	Option description	
Q1 8278942	VOE8278942	Engine without Epa label INT AND KOREAN MARKET	
Q2 8278943	VOE8278943	Engine with Epa label EMISSION CERTIFICATED FROM EPA	

Pos	Part	Q1	Q2	Q3	Q4	Q5	PS	Kit	Description	Option(s)	Remark
1	VOE14517964	1					SS		Engine		WITHOUT LABELS SER NO 30001-30335
	VOE14533404	1					OP		Engine		SER NO 30336-30433
	VOE14575307	1							Engine		SER NO 30434-
	VOE14520350		1				SS		Engine		WITH EPA LABEL SER NO 30001-30335
	VOE14533405		1				OP		Engine		SER NO 30336-30433

	VOE14575306		1					Engine		SER NO 30434-
--	-------------	--	---	--	--	--	--	--------	--	---------------

Date: <b>2013/12/12</b>	Image id: <b>1006950</b>	Catalogue: <b>20020</b>	Model: <b>EW55B</b>
Brand: <b>Volvo</b>	Serial: <b>30001-99999</b>	Group/Section: <b>210/200</b>	Title: <b>Repair kits for engine</b>



Volvo Construction  
Equipment  
1006950

Section option	Kit	Option description
VOE8278942		Engine without Epa label INT AND KOREAN MARKET
VOE8278943		Engine with Epa label EMISSION CERTIFICATED FROM EPA

Q1-Q5	Option	Option description	
Q1 8278942	VOE8278942	Engine without Epa label INT AND KOREAN MARKET	
Q2 8278943	VOE8278943	Engine with Epa label EMISSION CERTIFICATED FROM EPA	

Pos	Part	Q1	Q2	Q3	Q4	Q5	PS	Kit	Description	Option(s)	Remark
1	VOE14521640	1	1						Gasket		OPTIONAL PART
2	VOE14521588	1	1						•O-ring		
3	VOE14521606	5	5						•Gasket		
4	VOE14617016	1	1						•Gasket		(VOE14521505)
5	VOE14521527	8	8						•Valve seal		
6	VOE14521532	4	4						•Protection		
7	SA8210-08770						SS		•Seat		

**<https://www.ebooklibonline.com>**

Hello dear friend!

Thank you very much for reading.

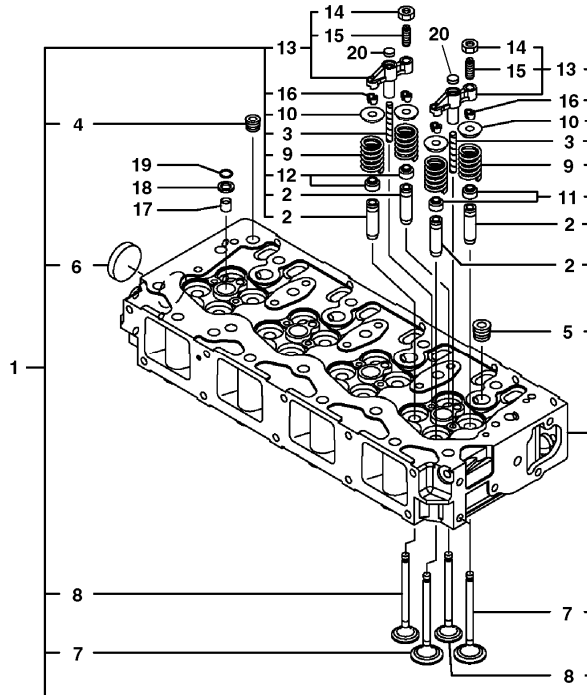
Enter the link into your browser.

The full manual is available for immediate download.

**<https://www.ebooklibonline.com>**

8	VOE14521552	1	1						•Gasket		
9	VOE14521554	1	1						•Gasket		
10	VOE11714737	1	1						•Gasket		(SA8210-04570)
11	VOE14520599	1	1						•Gasket		
12	VOE14521528	8	8						•Valve seal		
13	VOE11714738	2	2						•O-ring		(SA8210-04770)
14	VOE11714739	1	1						•O-ring		(SA8210-04780)
15	SA8210-04820	1	1						•Gasket		
16	SA8210-04840	1	1						•Gasket		
17	VOE11714740	1	1						•Gasket		(SA8210-02790)
18	VOE11714741	1	1						•Gasket		(SA8210-02840)
19	SA8210-02780	1	1						•Gasket		
20	VOE11714477	3	3						•Gasket		(SA8210-05580)
21	VOE11714478	2	2						•Gasket		(SA8210-03370)
22	SA8210-08860	1	1						•O-ring		
23	VOE11714386	8	8						•O-ring		(SA8210-08870)
24	VOE11714371	3	3						•O-ring		(SA8210-08880)
25	VOE11714476	7	7						•Sealing washer		(SA8240-01020)
26	VOE14509382	1	1						•O-ring		
27	VOE14521512	1	1						•Wrapping		
28	VOE14521514	1	1						•Gasket		
29	VOE11714827	1	1						•Gasket		(SA8210-01870)
30	VOE14521641	1	1						Brush		OPTIONAL PART
31	VOE14543857	1	1						Gasket		(SA8240-02760) OPTIONAL PART

Date: <b>2013/12/12</b>	Image id: <b>1006951</b>	Catalogue: <b>20020</b>	Model: <b>EW55B</b>
Brand: <b>Volvo</b>	Serial: <b>30001-99999</b>	Group/Section: <b>211/100</b>	Title: <b>Cylinder head</b>



Volvo Construction  
Equipment  
1006951

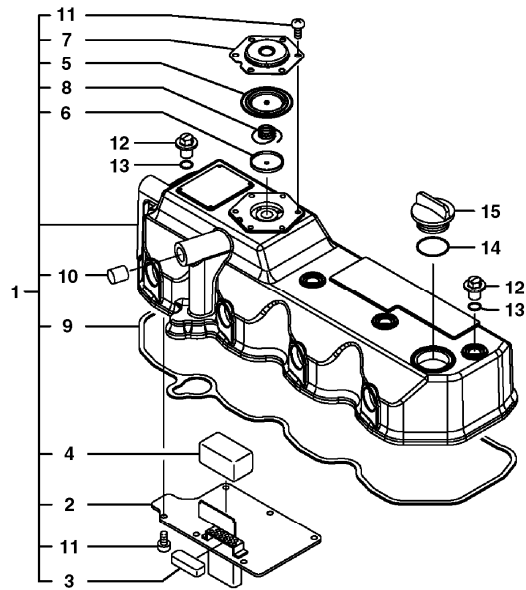
Section option	Kit	Option description
VOE8278942		Engine without Epa label INT AND KOREAN MARKET
VOE8278943		Engine with Epa label EMISSION CERTIFICATED FROM EPA

Q1-Q5	Option	Option description	
Q1 8278942	VOE8278942	Engine without Epa label INT AND KOREAN MARKET	
Q2 8278943	VOE8278943	Engine with Epa label EMISSION CERTIFICATED FROM EPA	

Pos	Part	Q1	Q2	Q3	Q4	Q5	PS	Kit	Description	Option(s)	Remark
1	VOE14521519	1	1						Cylinder head		
2	VOE14521520	16	16				SS		•Guide		
3	VOE14521521	8	8						•Guide		
4	VOE14521522	1	1						•Plug		
5	VOE14521504	4	4						•Plug		
6	VOE11714379	1	1						•Plug		(SA8210-05840)
7	VOE14521523	8	8						•Inlet valve		INT

8	VOE14521524	8	8						•Exhaust valve		EXH
9	VOE14521525	16	16						•Valve spring		
10	VOE14521526	16	16						•Retainer		
11	VOE14521527	8	8						•Valve seal		
12	VOE14521528	8	8						•Valve seal		
13	VOE14521529	8	8						•Valve guide		
14	VOE11714380	8	8						••Nut		(SA8210-03680)
15	VOE14521530	8	8						••Screw		
16	VOE14521531	16	16						•Valve cone		
17	VOE14521532	4	4						Protection		
18	SA8210-08770	4	4				SS		Seat		
19	VOE11714386	4	4						O-ring		(SA8210-08870)
20	VOE14521518	8	8						Seat		

Date: <b>2013/12/12</b>	Image id: <b>1006952</b>	Catalogue: <b>20020</b>	Model: <b>EW55B</b>
Brand: <b>Volvo</b>	Serial: <b>30001-99999</b>	Group/Section: <b>211/200</b>	Title: <b>Valve cover</b>



Volvo Construction  
Equipment  
1006952

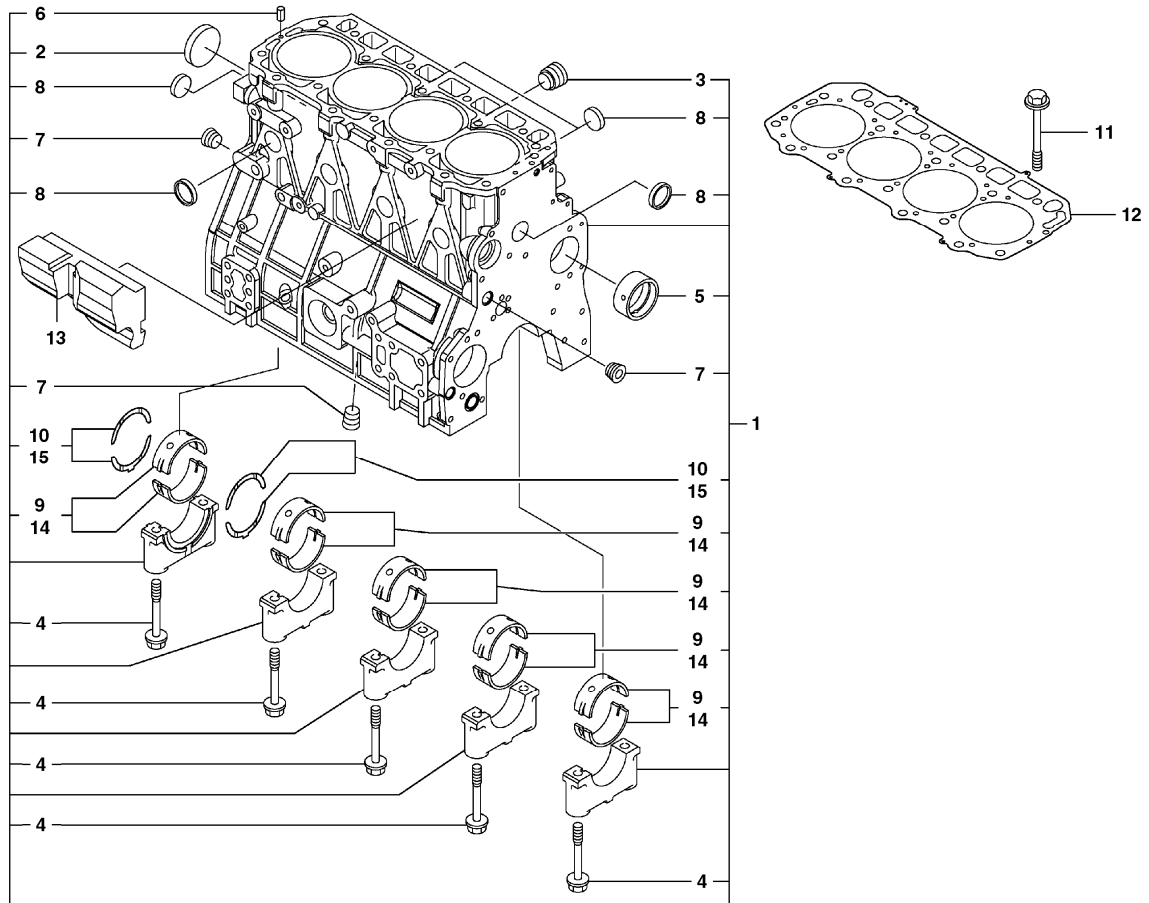
Section option	Kit	Option description
VOE8278942		Engine without Epa label INT AND KOREAN MARKET
VOE8278943		Engine with Epa label EMISSION CERTIFICATED FROM EPA

Q1-Q5	Option	Option description	
Q1 8278942	VOE8278942	Engine without Epa label INT AND KOREAN MARKET	
Q2 8278943	VOE8278943	Engine with Epa label EMISSION CERTIFICATED FROM EPA	

Pos	Part	Q1	Q2	Q3	Q4	Q5	PS	Kit	Description	Option(s)	Remark
1	VOE14521544	1	1				SS		Cover		
2	VOE14521545	1	1						•Plate		
3	VOE14521546	1	1						•Baffle		
4	VOE14521547	1	1						•Baffle		
5	VOE14521548	1	1						•Diaphragm		
6	VOE14521549	1	1						•Plate		
7	VOE14521550	1	1						•Plate		

8	VOE14521551	1	1						•Spring		
9	VOE14521552	1	1						•Gasket		
10	VOE14521553	1	1						•Plug		
11	SA8210-08850	12	12						•Screw		
12	VOE11714385	4	4						Flange cap nut		(SA8210-03250)
13	VOE11714386	4	4						O-ring		(SA8210-08870)
14	VOE11714371	1	1						O-ring		(SA8210-08880)
15	VOE11714383	1	1						Cap		(SA8210-03240)

Date: <b>2013/12/12</b>	Image id: <b>1006953</b>	Catalogue: <b>20020</b>	Model: <b>EW55B</b>
Brand: <b>Volvo</b>	Serial: <b>30001-99999</b>	Group/Section: <b>212/100</b>	Title: <b>Cylinder block</b>



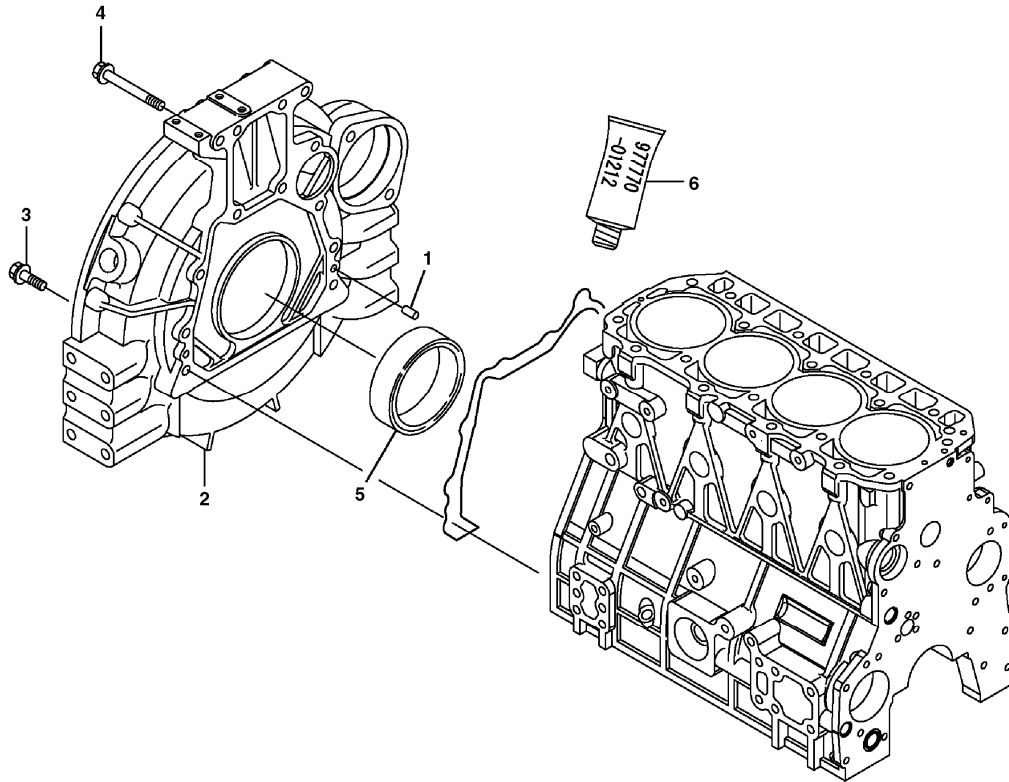
Section option	Kit	Option description
VOE8278942		Engine without Epa label INT AND KOREAN MARKET
VOE8278943		Engine with Epa label EMISSION CERTIFICATED FROM EPA

Q1-Q5	Option	Option description	
Q1 8278942	VOE8278942	Engine without Epa label INT AND KOREAN MARKET	
Q2 8278943	VOE8278943	Engine with Epa label EMISSION CERTIFICATED FROM EPA	

Pos	Part	Q1	Q2	Q3	Q4	Q5	PS	Kit	Description	Option(s)	Remark
1	VOE15067547	1	1						Cylinder block		(VOE14521502)
2	VOE14521503	1	1						•Plug		
3	SA8210-05320	1	1				SS		•Plug		
4	VOE11714756	10	10						•Screw		(SA8210-04340)
5	VOE11714757	1	1						•Bushing		(SA8210-04360)
6	VOE11714387	2	2						•Spring pin		(SA8240-01340)
7	VOE14521504	3	3						•Plug		

8	VOE11714369	8	8						•Plug		(SA8210-06750)
9	SA8210-04370	5	5				SS		•Bearing		
10	VOE15057699	2	2						•Thrust washer		(SA8210-04380)
11	VOE11714759	18	18						Screw		(SA8210-04270)
12	VOE14617016	1	1						Gasket		(VOE14521505)
13	VOE14521506	1	1						Spacer		
14	VOE11714760	5	5						Main bearing		(SA8210-04350)0.25 U SZ
15	VOE11714761	2	2						Thrust washer		(SA8210-04390)0.25 O SZ

Date: <b>2013/12/12</b>	Image id: <b>1006954</b>	Catalogue: <b>20020</b>	Model: <b>EW55B</b>
Brand: <b>Volvo</b>	Serial: <b>30001-99999</b>	Group/Section: <b>212/300</b>	Title: <b>Flywheel housing</b>



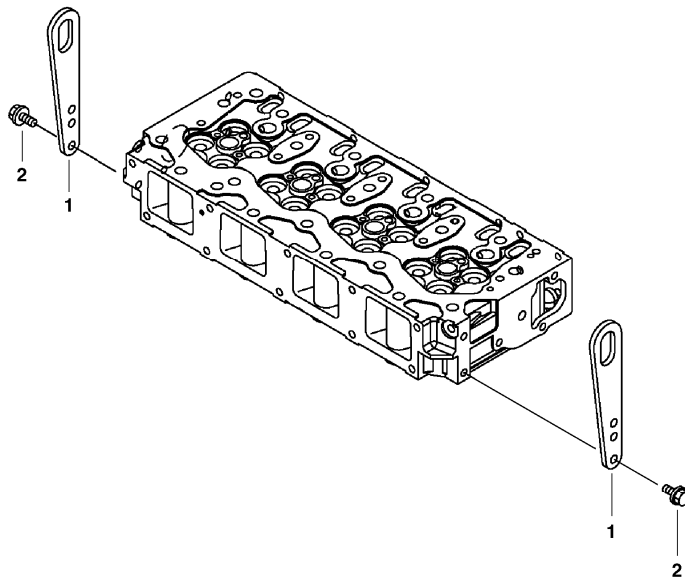
Volvo Construction  
Equipment  
1006954

Section option	Kit	Option description
VOE8278942		Engine without Epa label INT AND KOREAN MARKET
VOE8278943		Engine with Epa label EMISSION CERTIFICATED FROM EPA

Q1-Q5	Option	Option description	
Q1 8278942	VOE8278942	Engine without Epa label INT AND KOREAN MARKET	
Q2 8278943	VOE8278943	Engine with Epa label EMISSION CERTIFICATED FROM EPA	

Pos	Part	Q1	Q2	Q3	Q4	Q5	PS	Kit	Description	Option(s)	Remark
1	VOE11714376	2	2						Pin		(SA8210-03530)
2	VOE11714762	1	1						Flywheel housing		(SA8210-04290)
3	VOE11714763	9	9						Screw		(SA8240-01980)
4	VOE11714764	4	4						Screw		(SA8240-01990)
5	VOE14514458	1	1						Seal		
6	VOE14543857	1	1						Gasket		(SA8240-02760) OPTIONAL PART

Date: <b>2013/12/12</b>	Image id: <b>1006955</b>	Catalogue: <b>20020</b>	Model: <b>EW55B</b>
Brand: <b>Volvo</b>	Serial: <b>30001-99999</b>	Group/Section: <b>212/500</b>	Title: <b>Lifting eye</b>



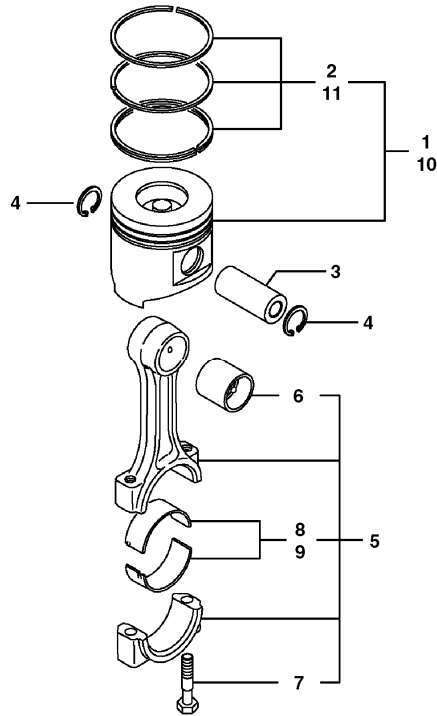
Volvo Construction  
Equipment  
1006955

Section option	Kit	Option description
VOE8278942		Engine without Epa label INT AND KOREAN MARKET
VOE8278943		Engine with Epa label EMISSION CERTIFICATED FROM EPA

Q1-Q5	Option	Option description	
Q1 8278942	VOE8278942	Engine without Epa label INT AND KOREAN MARKET	
Q2 8278943	VOE8278943	Engine with Epa label EMISSION CERTIFICATED FROM EPA	

Pos	Part	Q1	Q2	Q3	Q4	Q5	PS	Kit	Description	Option(s)	Remark
1	VOE11714378	2	2						Lifting bracket		(SA8210-04400)
2	VOE11714372	4	4						Bolt		(SA8240-01680)

Date: <b>2013/12/12</b>	Image id: <b>1006956</b>	Catalogue: <b>20020</b>	Model: <b>EW55B</b>
Brand: <b>Volvo</b>	Serial: <b>30001-99999</b>	Group/Section: <b>213/100</b>	Title: <b>Connecting rod and piston</b>



Volvo Construction  
Equipment  
1006956

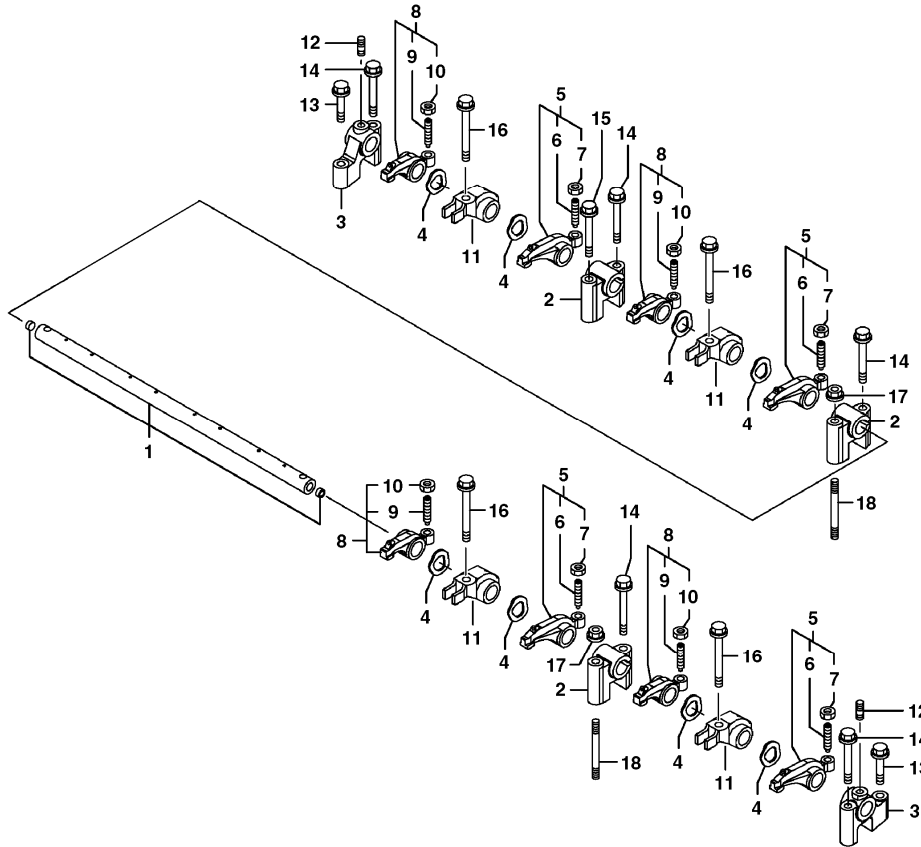
Section option	Kit	Option description
VOE8278942		Engine without Epa label INT AND KOREAN MARKET
VOE8278943		Engine with Epa label EMISSION CERTIFICATED FROM EPA

Q1-Q5	Option	Option description	
Q1 8278942	VOE8278942	Engine without Epa label INT AND KOREAN MARKET	
Q2 8278943	VOE8278943	Engine with Epa label EMISSION CERTIFICATED FROM EPA	

Pos	Part	Q1	Q2	Q3	Q4	Q5	PS	Kit	Description	Option(s)	Remark
1	VOE14521566	4	4						Piston		
2	VOE14521567	4	4						•Ring		
3	VOE11714797	4	4						Gudgeon pin		(SA8210-02170)
4	SA8240-01140	8	8						Retaining ring		
5	VOE11714799	4	4						Connecting rod		(SA8210-04680)
6	SA8210-04720	1	1						•Bushing		REPAIR PART
7	VOE11714801	2	2						•Screw		(SA8210-04690)

8	VOE11714802	1	1						•Piston Bearing		(SA8210-04700)
9	VOE11714803	4	4						Piston Bearing		(SA8210-04710)0.25 U SZ
10	VOE14521568	4	4						Piston		0.25 O SZ
11	VOE14521569	4	4						•Ring		

Date: <b>2013/12/12</b>	Image id: <b>1006957</b>	Catalogue: <b>20020</b>	Model: <b>EW55B</b>
Brand: <b>Volvo</b>	Serial: <b>30001-99999</b>	Group/Section: <b>214/200</b>	Title: <b>Rocker arm</b>



Volvo Construction  
Equipment  
1006957

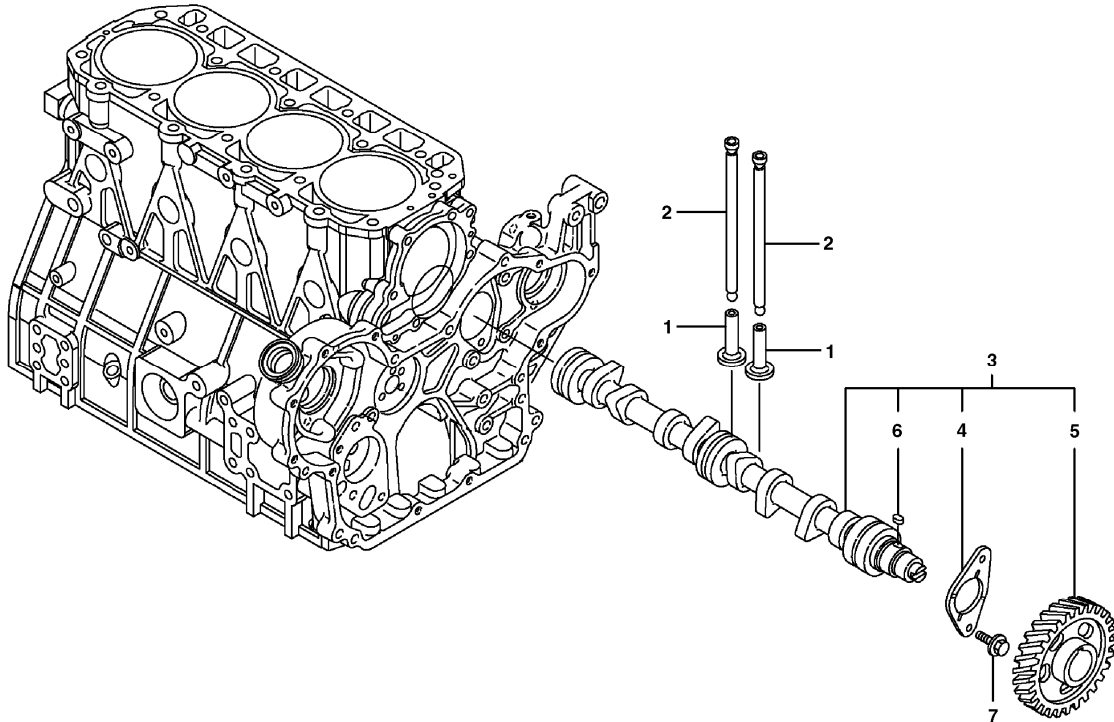
Section option	Kit	Option description
VOE8278942		Engine without Epa label INT AND KOREAN MARKET
VOE8278943		Engine with Epa label EMISSION CERTIFICATED FROM EPA

Q1-Q5	Option	Option description	
Q1 8278942	VOE8278942	Engine without Epa label INT AND KOREAN MARKET	
Q2 8278943	VOE8278943	Engine with Epa label EMISSION CERTIFICATED FROM EPA	

Pos	Part	Q1	Q2	Q3	Q4	Q5	PS	Kit	Description	Option(s)	Remark
1	VOE14521534	1	1				SS		Support		
	VOE14521535	1	1						•Rocker arm		
2	VOE14521536	3	3						•Support		
3	VOE14521537	2	2						•Support		
4	VOE14521538	8	8						•Spring washer		
5	VOE14521539	4	4						•Rocker arm		
6	SA8210-03660	1	1						••Screw		

7	VOE11714380	1	1						••Nut		(SA8210-03680)
8	VOE14521540	4	4						•Rocker arm		
9	SA8210-03660	1	1						••Screw		
10	VOE11714380	1	1						••Nut		(SA8210-03680)
11	VOE14521541	4	4						•Retainer		
12	VOE14521542	2	2						•Bolt		
13	VOE11714487	2	2						Bolt		(SA8240-01710)
14	SA8240-01740	5	5				SS		Bolt		
15	SA8240-01750	1	1						Bolt		
16	SA8240-01770	4	4						Bolt		
17	VOE14521543	2	2						Nut		
18	VOE14521533	2	2						Bolt		

Date: <b>2013/12/12</b>	Image id: <b>1006958</b>	Catalogue: <b>20020</b>	Model: <b>EW55B</b>
Brand: <b>Volvo</b>	Serial: <b>30001-99999</b>	Group/Section: <b>215/100</b>	Title: <b>Camshaft</b>



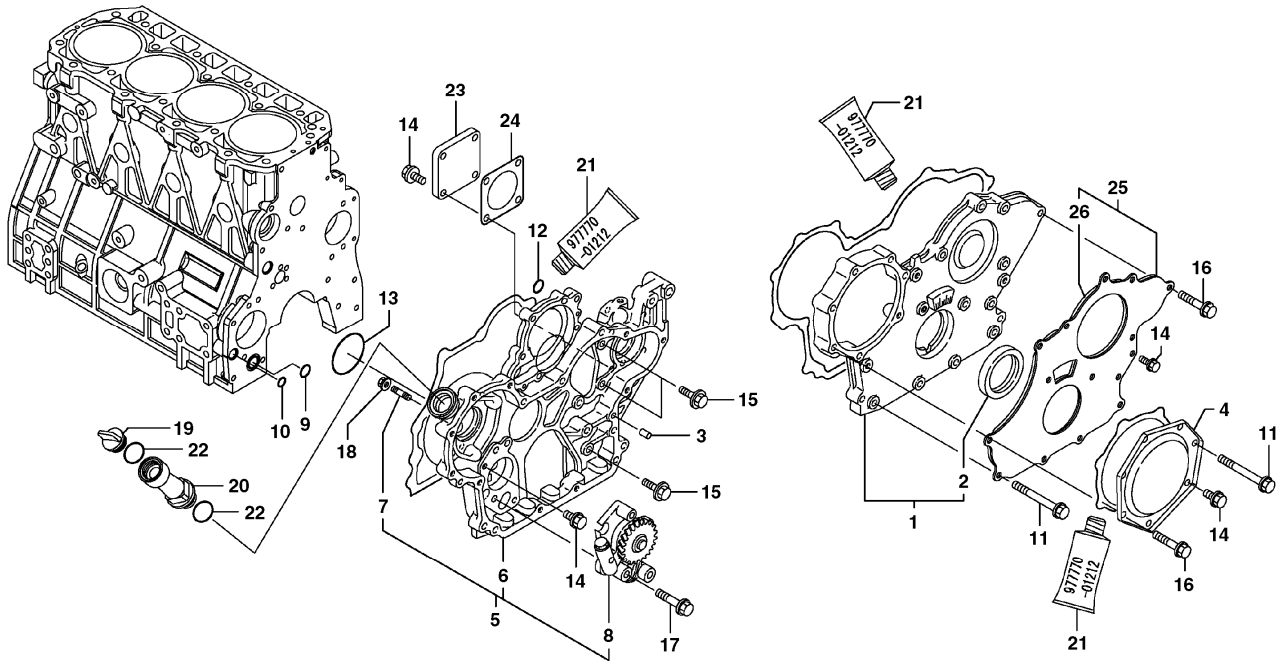
Volvo Construction  
Equipment  
1006958

Section option	Kit	Option description
VOE8278942		Engine without Epa label INT AND KOREAN MARKET
VOE8278943		Engine with Epa label EMISSION CERTIFICATED FROM EPA

Q1-Q5	Option	Option description	
Q1 8278942	VOE8278942	Engine without Epa label INT AND KOREAN MARKET	
Q2 8278943	VOE8278943	Engine with Epa label EMISSION CERTIFICATED FROM EPA	

Pos	Part	Q1	Q2	Q3	Q4	Q5	PS	Kit	Description	Option(s)	Remark
1	SA8210-08810	8	8				SS		Tappet		
2	VOE14521559	8	8						Push rod		
3	VOE14521560	1	1						Camshaft		
4	SA8210-03640	1	1						•Bearing		
5	SA8210-04580	1	1						•Gear		
6	SA8210-05520	1	1						•Key		
7	VOE11714372	2	2						Bolt		(SA8240-01680)

Date: <b>2013/12/12</b>	Image id: <b>1006959</b>	Catalogue: <b>20020</b>	Model: <b>EW55B</b>
Brand: <b>Volvo</b>	Serial: <b>30001-99999</b>	Group/Section: <b>215/200</b>	Title: <b>Timing gear casing</b>



Volvo Construction  
Equipment  
1006959

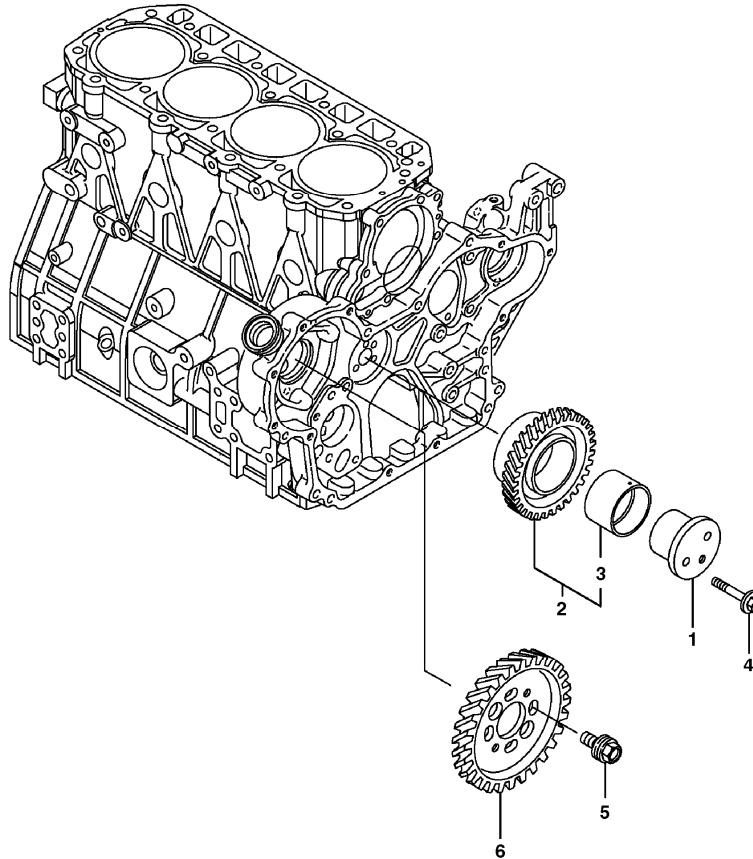
Section option	Kit	Option description
VOE8278942		Engine without Epa label INT AND KOREAN MARKET
VOE8278943		Engine with Epa label EMISSION CERTIFICATED FROM EPA

Q1-Q5	Option	Option description	
Q1 8278942	VOE8278942	Engine without Epa label INT AND KOREAN MARKET	
Q2 8278943	VOE8278943	Engine with Epa label EMISSION CERTIFICATED FROM EPA	

Pos	Part	Q1	Q2	Q3	Q4	Q5	PS	Kit	Description	Option(s)	Remark
1	VOE14521507	1	1						Housing		
2	VOE14514867	1	1						•Sealing		
3	VOE11714376	4	4						Pin		(SA8210-03530)
4	VOE11714746	1	1						Cover		(SA8210-04300)
5	VOE14521508	1	1				SS		Case		
6	VOE14521183	1	1						•Case		
7	SA8210-02620	4	4						•Stud		

8	VOE14525387	1	1						•Pump		(VOE14521509)
9	VOE11714738	1	1						O-ring		(SA8210-04770)
10	VOE11714739	1	1						O-ring		(SA8210-04780)
11	VOE14521510	7	7						Bolt		
12	VOE14521511	1	1					SS	O-ring		
13	VOE14521512	1	1						Wrapping		
14	VOE11714372	9	9						Bolt		(SA8240-01680)
15	VOE11714388	3	3						Bolt		(SA8240-01700)
16	VOE11714487	10	10						Bolt		(SA8240-01710)
17	VOE11714377	3	3						Bolt		(SA8240-01720)
18	VOE14521513	4	4						Nut		
19	VOE11714383	1	1						Cap		(SA8210-03240)
20	SA8210-05300	1	1						Pipe		
21	VOE14543857	1	1						Gasket		(SA8240-02760) OPTIONAL PART
22	VOE11714371	2	2						O-ring		(SA8210-08880)
23	VOE11714370	1	1						Cover		(SA8210-03280)
24	VOE14521514	1	1						Gasket		
25	VOE14521515	1	1						Cover		
26	VOE14521516	1	1						•Sponge		

Date: <b>2013/12/12</b>	Image id: <b>1006960</b>	Catalogue: <b>20020</b>	Model: <b>EW55B</b>
Brand: <b>Volvo</b>	Serial: <b>30001-99999</b>	Group/Section: <b>215/250</b>	Title: <b>Timing gear</b>



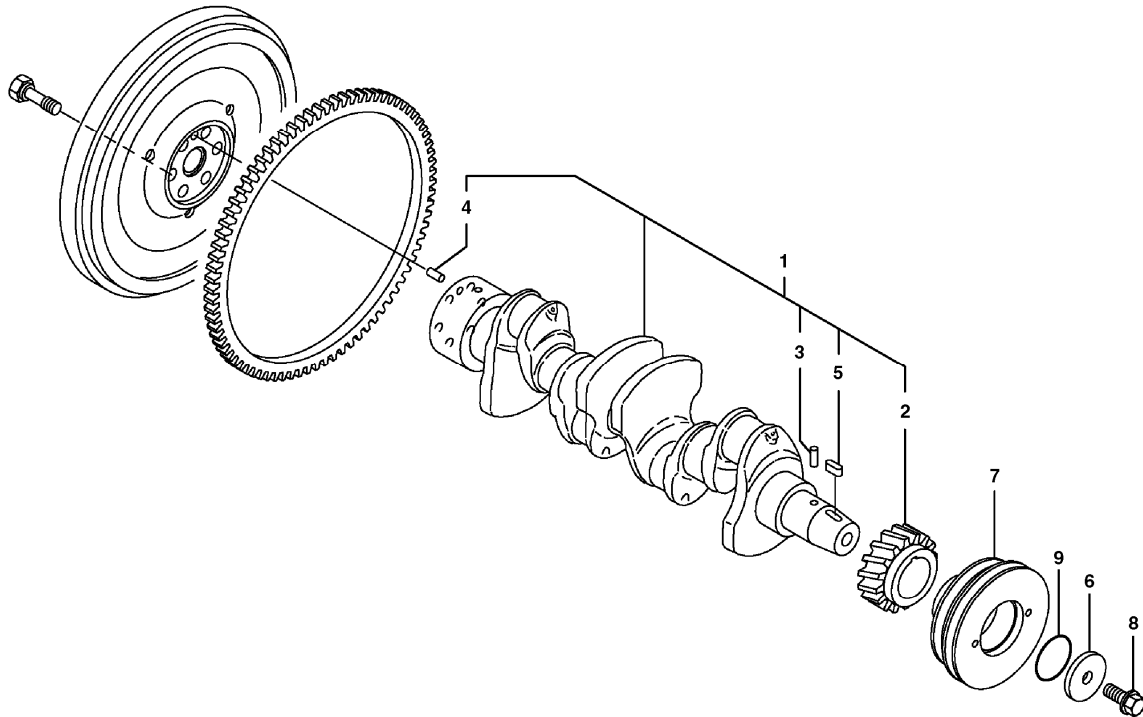
Volvo Construction  
Equipment  
1006960

Section option	Kit	Option description
VOE8278942		Engine without Epa label INT AND KOREAN MARKET
VOE8278943		Engine with Epa label EMISSION CERTIFICATED FROM EPA

Q1-Q5	Option	Option description	
Q1 8278942	VOE8278942	Engine without Epa label INT AND KOREAN MARKET	
Q2 8278943	VOE8278943	Engine with Epa label EMISSION CERTIFICATED FROM EPA	

Pos	Part	Q1	Q2	Q3	Q4	Q5	PS	Kit	Description	Option(s)	Remark
1	VOE14521561	1	1						Shaft		
2	VOE11714785	1	1						Gear		(SA8210-04740)
3	SA8210-03700	1	1						•Bushing		REPAIR PART
4	VOE11714373	3	3						Bolt		(SA8240-01730)
5	VOE14521562	4	4						Bolt		
6	VOE14521563	1	1						Gear		

Date: <b>2013/12/12</b>	Image id: <b>1006961</b>	Catalogue: <b>20020</b>	Model: <b>EW55B</b>
Brand: <b>Volvo</b>	Serial: <b>30001-99999</b>	Group/Section: <b>216/100</b>	Title: <b>Crankshaft</b>



Volvo Construction  
Equipment  
1006961

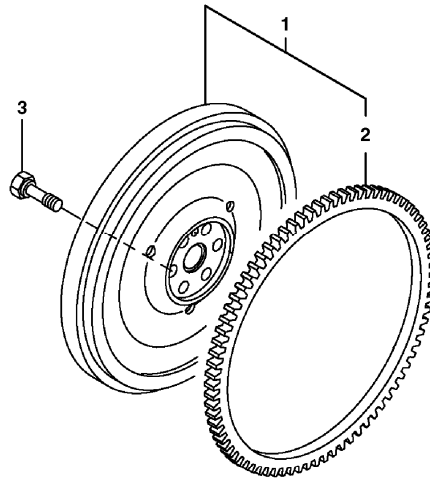
Section option	Kit	Option description
VOE8278942		Engine without Epa label INT AND KOREAN MARKET
VOE8278943		Engine with Epa label EMISSION CERTIFICATED FROM EPA

Q1-Q5	Option	Option description	
Q1 8278942	VOE8278942	Engine without Epa label INT AND KOREAN MARKET	
Q2 8278943	VOE8278943	Engine with Epa label EMISSION CERTIFICATED FROM EPA	

Pos	Part	Q1	Q2	Q3	Q4	Q5	PS	Kit	Description	Option(s)	Remark
1	VOE14521564	1	1						Crankshaft		
2	VOE11714790	1	1						•Crankshaft gear		(SA8210-04620)
3	VOE11714791	1	1						•Guide pin		(SA8210-02710)
4	VOE11714792	1	1						•Guide pin		(SA8210-02740)
5	SA8210-05520	1	1						•Key		
6	VOE14509381	1	1						Washer		
7	VOE14517628	1	1						Pulley		

8	VOE14517969	1	1						Bolt		
9	VOE14509382	1	1						O-ring		

Date: <b>2013/12/12</b>	Image id: <b>1006962</b>	Catalogue: <b>20020</b>	Model: <b>EW55B</b>
Brand: <b>Volvo</b>	Serial: <b>30001-99999</b>	Group/Section: <b>216/200</b>	Title: <b>Flywheel</b>



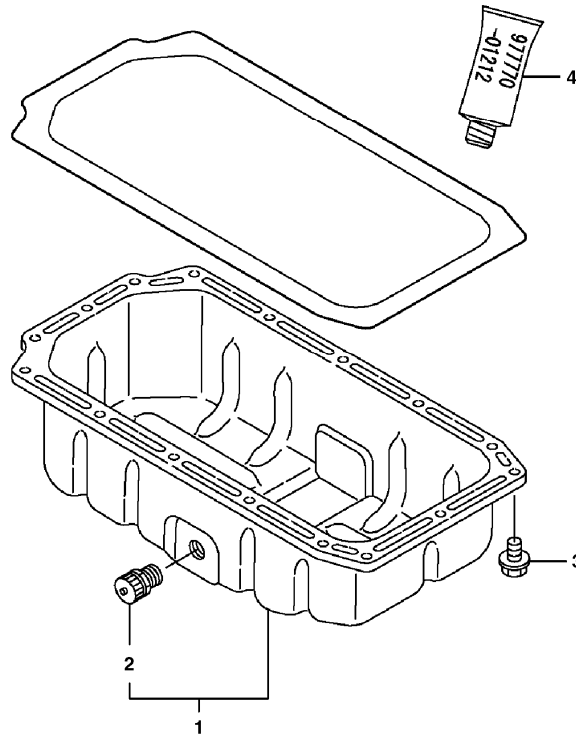
Volvo Construction  
Equipment  
1006962

Section option	Kit	Option description
VOE8278942		Engine without Epa label INT AND KOREAN MARKET
VOE8278943		Engine with Epa label EMISSION CERTIFICATED FROM EPA

Q1-Q5	Option	Option description	
Q1 8278942	VOE8278942	Engine without Epa label INT AND KOREAN MARKET	
Q2 8278943	VOE8278943	Engine with Epa label EMISSION CERTIFICATED FROM EPA	

Pos	Part	Q1	Q2	Q3	Q4	Q5	PS	Kit	Description	Option(s)	Remark
1	VOE14521565	1	1				SS		Flywheel		
2	VOE11714795	1	1						•Gear ring		(SA8210-04630)
3	VOE11714793	6	6						Screw		(SA8210-02690)

Date: <b>2013/12/12</b>	Image id: <b>1006963</b>	Catalogue: <b>20020</b>	Model: <b>EW55B</b>
Brand: <b>Volvo</b>	Serial: <b>30001-99999</b>	Group/Section: <b>217/100</b>	Title: <b>Oil sump</b>



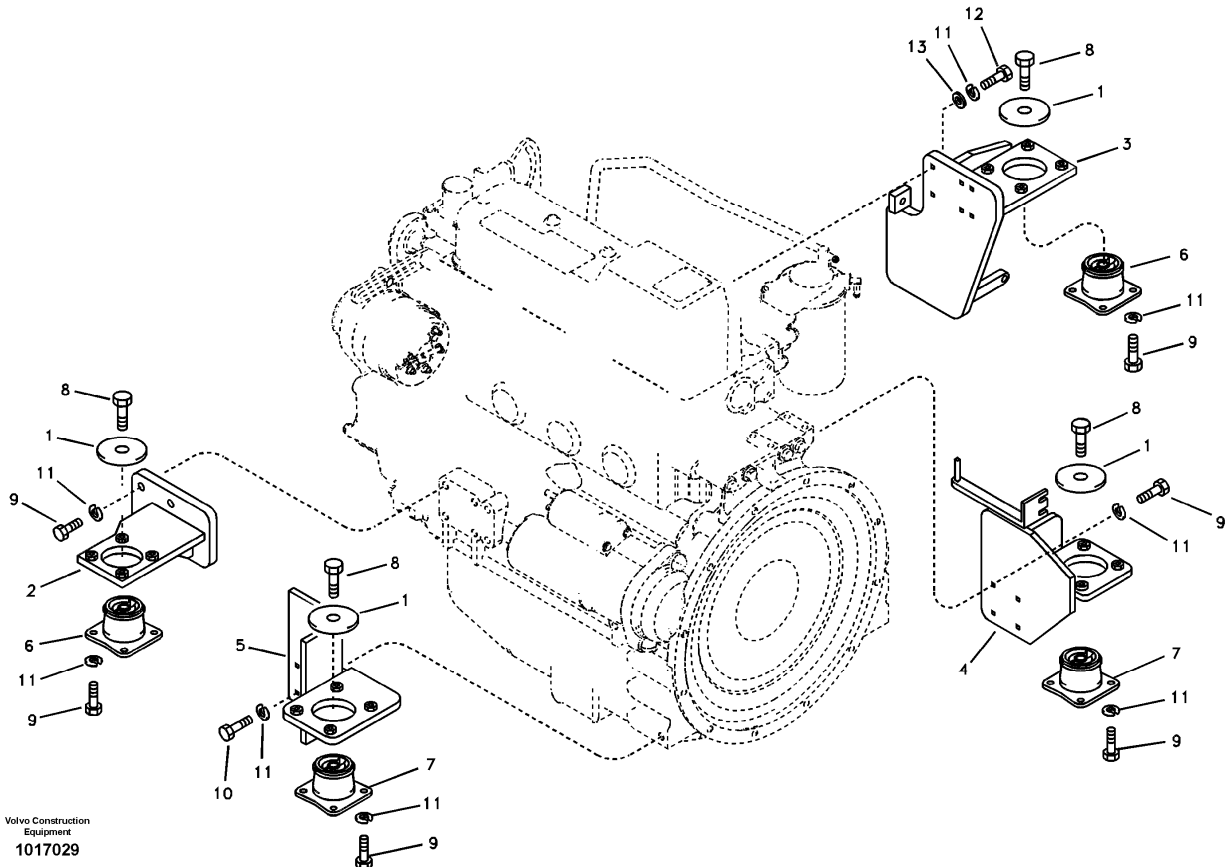
Volvo Construction  
Equipment  
1006963

Section option	Kit	Option description
VOE8278942		Engine without Epa label INT AND KOREAN MARKET
VOE8278943		Engine with Epa label EMISSION CERTIFICATED FROM EPA

Q1-Q5	Option	Option description	
Q1 8278942	VOE8278942	Engine without Epa label INT AND KOREAN MARKET	
Q2 8278943	VOE8278943	Engine with Epa label EMISSION CERTIFICATED FROM EPA	

Pos	Part	Q1	Q2	Q3	Q4	Q5	PS	Kit	Description	Option(s)	Remark
1	VOE14521517	1	1						Oil Pan		
2	VOE14521185	1	1						•Valve		DRAIN ENGINE OIL
3	VOE11714490	1	1						Bolt		(SA8240-01670)
4	VOE14543857	1	1						Gasket		(SA8240-02760) OPTIONAL PART

Date: <b>2013/12/12</b>	Image id: <b>1017029</b>	Catalogue: <b>20020</b>	Model: <b>EW55B</b>
Brand: <b>Volvo</b>	Serial: <b>30001-99999</b>	Group/Section: <b>218/100</b>	Title: <b>Engine mount</b>



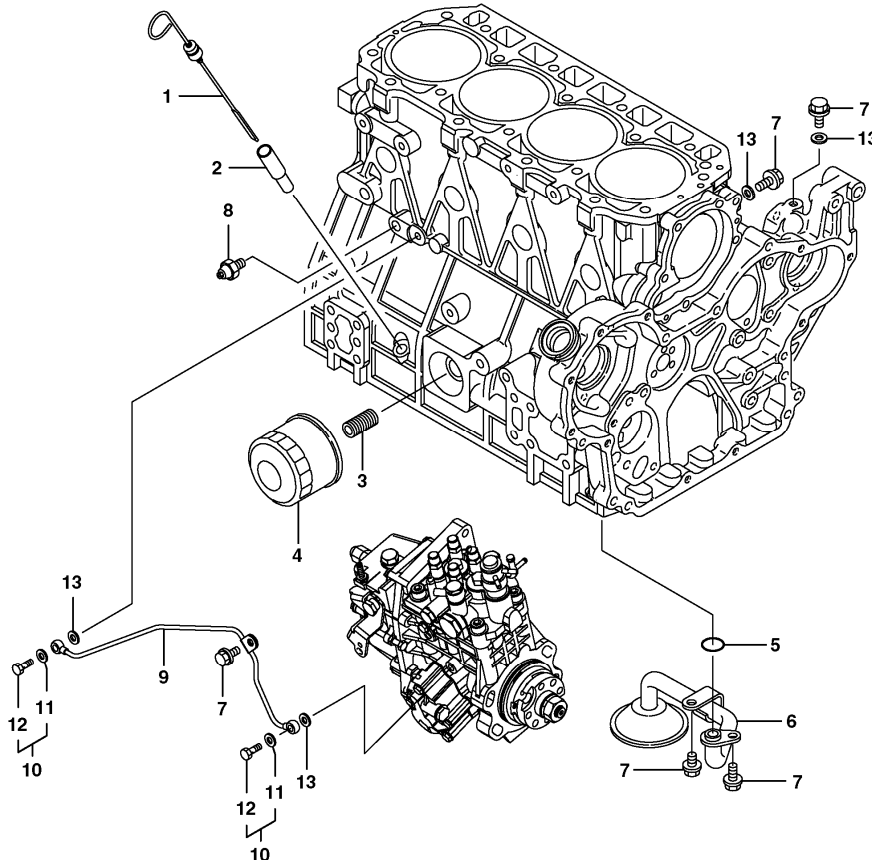
Section option	Kit	Option description
VOE8278941		Basic Machine EW55B

Q1-Q5	Option	Option description	
Q1 8278941	VOE8278941	Basic Machine EW55B	

Pos	Part	Q1	Q2	Q3	Q4	Q5	PS	Kit	Description	Option(s)	Remark
1	SA1112-00830	4							Plate		
2	SA1112-30382	1							Bracket		FRONT LH
3	VOE14520059	1					SS		Bracket		FRONT RH SER NO 30001-30338
	VOE14531319	1							Bracket		SER NO 30339-
4	SA1112-30481	1					OP		Bracket		REAR RH SER NO 30001-30433
	VOE14535607	1							Bracket		SER NO 30434-
5	VOE14518132	1							Bracket		REAR LH

6	VOE14592731	2							Cushion		(SA1112-30340)
7	VOE14592730	2							Cushion		(SA1112-30350)
8	VOE978941	4							Hexagon screw		
9	VOE983252	30							Hexagon screw		SER NO 30001-30338
	VOE983252	24							Hexagon screw		SER NO 30339-
10	VOE983254	4							Hexagon screw		
11	VOE955922	34							Spring washer		
12	SA9011-11007	6							Bolt		SER NO 30339-
13	SA9211-10000	6							Washer		SER NO 30339-

Date: <b>2013/12/12</b>	Image id: <b>1006965</b>	Catalogue: <b>20020</b>	Model: <b>EW55B</b>
Brand: <b>Volvo</b>	Serial: <b>30001-99999</b>	Group/Section: <b>220/300</b>	Title: <b>Lubricating oil system</b>



Volvo Construction  
Equipment  
1006965

Section option	Kit	Option description
VOE8278942		Engine without Epa label INT AND KOREAN MARKET
VOE8278943		Engine with Epa label EMISSION CERTIFICATED FROM EPA

Q1-Q5	Option	Option description	
Q1 8278942	VOE8278942	Engine without Epa label INT AND KOREAN MARKET	
Q2 8278943	VOE8278943	Engine with Epa label EMISSION CERTIFICATED FROM EPA	

Pos	Part	Q1	Q2	Q3	Q4	Q5	PS	Kit	Description	Option(s)	Remark
1	VOE14521179	1	1						Dipstick		
2	VOE11715318	1	1						Dipstick tube		(SA8210-03930)
3	VOE11714907	1	1						Fitting		(SA8210-00920)
4	VOE14528387	1	1						Oil Filter		
5	VOE11714738	1	1						O-ring		(SA8210-04770)
6	SA8210-04790	1	1						Pipe		
7	VOE11714490	5	5						Bolt		(SA8240-01670)



**Suggest:**

**For more complete manuals. Please go to the home page.**

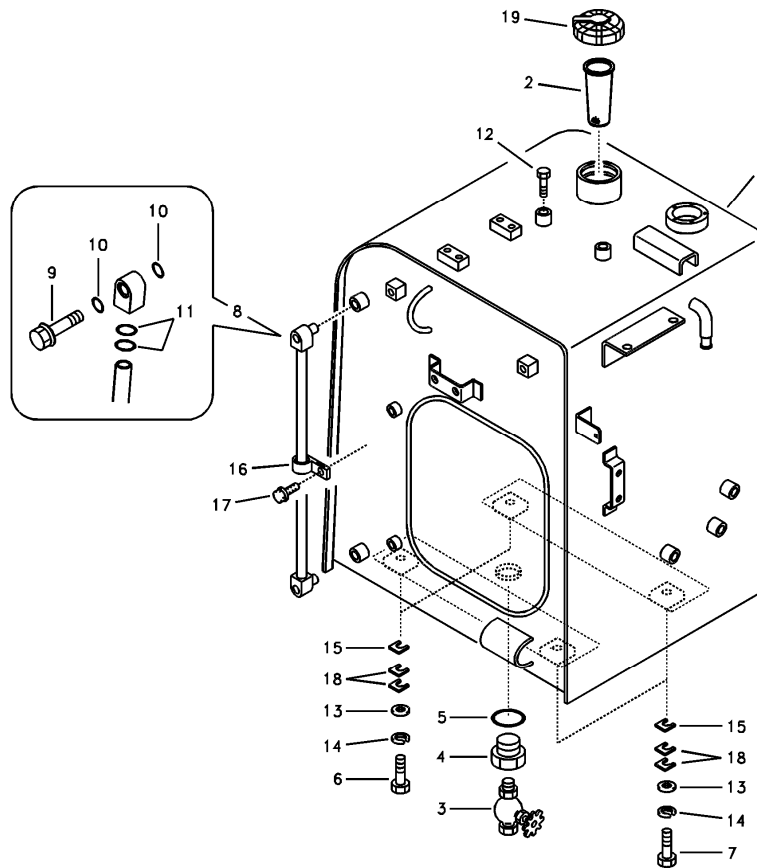
**<https://www.ebooklibonline.com>**

**If the above button click is invalid. Please download this document first, and then click the above link to download the complete manual.**

**Thank you so much for reading**

8	VOE14520582	1	1						Switch		LUB OIL PRESSURE
9	VOE14521570	1	1						Pipe		
10	VOE14521571	2	2						Bolt		
11	VOE11714476	1	1						•Sealing washer		(SA8240-01020)
12	SA8210-05600	1	1						•Bolt		
13	VOE11714476	4	4						Sealing washer		(SA8240-01020)

Date: <b>2013/12/12</b>	Image id: <b>1014319</b>	Catalogue: <b>20020</b>	Model: <b>EW55B</b>
Brand: <b>Volvo</b>	Serial: <b>30001-99999</b>	Group/Section: <b>234/100</b>	Title: <b>Fuel tank with fitting parts</b>



Volvo Construction  
Equipment  
1014319

Section option	Kit	Option description
VOE8278819		Specific Key. Combination
VOE8278820		Master Key
VOE8278941		Basic Machine EW55B

Q1-Q5	Option	Option description	
Q1 8278941	VOE8278941	Basic Machine EW55B	
Q2 8278819	VOE8278819	Specific Key. Combination	
Q3 8278820	VOE8278820	Master Key	

Pos	Part	Q1	Q2	Q3	Q4	Q5	PS	Kit	Description	Option(s)	Remark
1	VOE14519779	1							Fuel tank		
2	SA1116-00220	1							Filter		SER NO 30001-30217
	VOE14528386	1					SS		Screen		SER NO 30218-
3	SAP4100875	1					SS		Shut-off cock		
4	SA1116-30080	1							Plug		

**<https://www.ebooklibonline.com>**

Hello dear friend!

Thank you very much for reading.

Enter the link into your browser.

The full manual is available for immediate download.

**<https://www.ebooklibonline.com>**