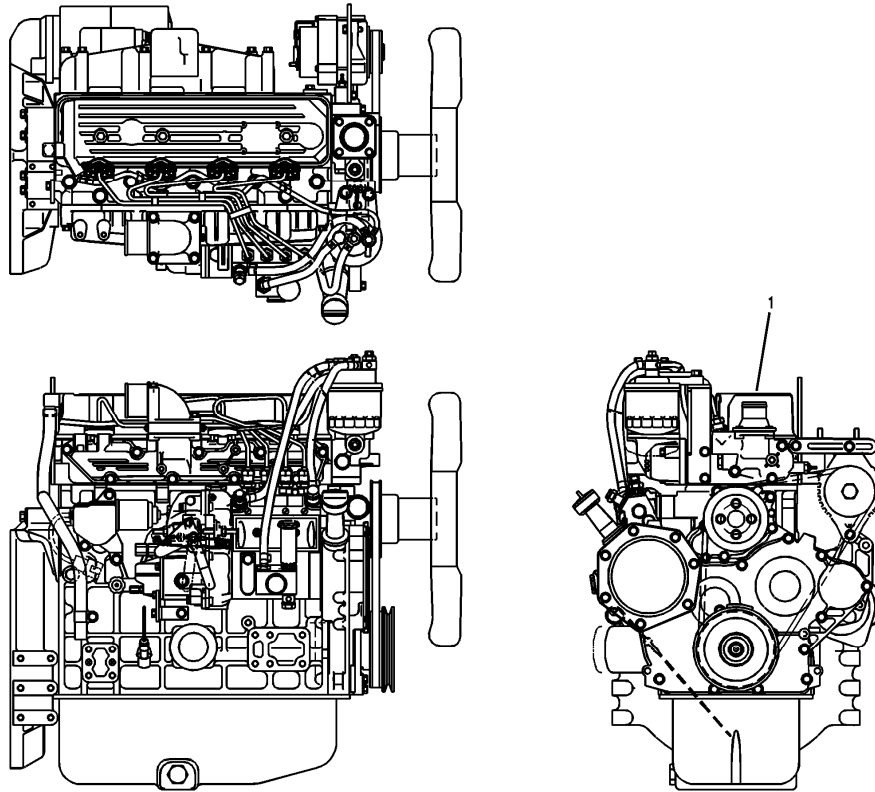


Date: 2013/12/15	Image id: SM101	Catalogue: 56130	Model: EW55
Brand: Volvo	Serial: 5001-9999	Group/Section: 210/100	Title: Engine



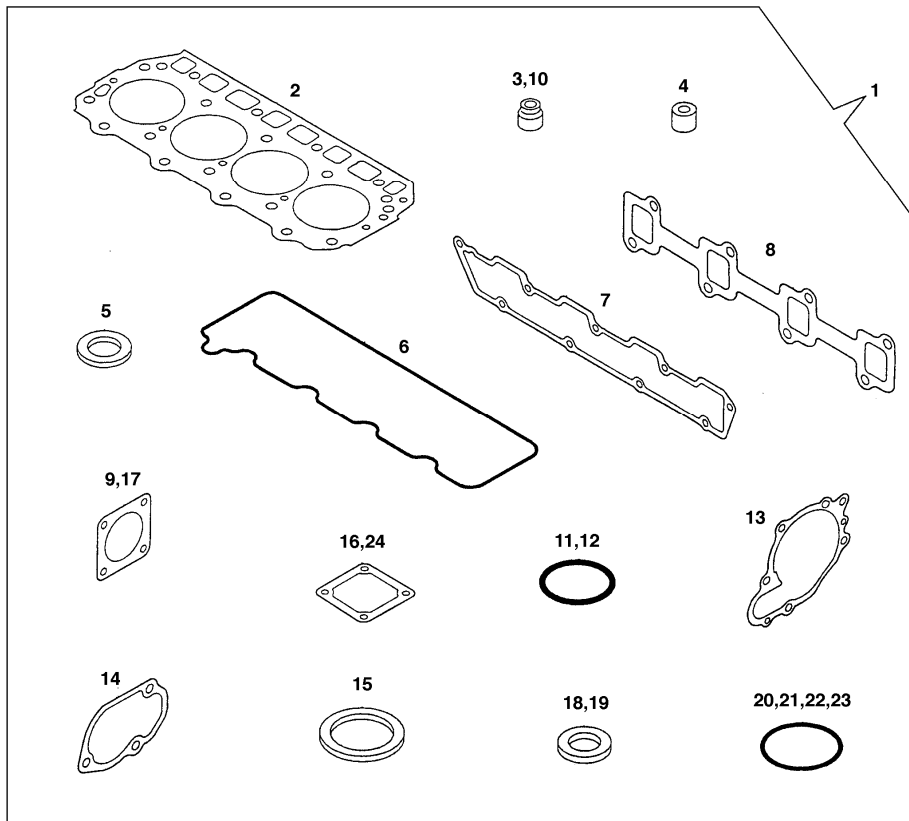
Volvo Construction
Equipment
SM101

Section option	Kit	Option description
SAAK04B001		Engine without Epa label US market- EPA = Environmental Protection Agency.
SAAL04B002		Engine with Epa label US MARKET-EPA = ENVIRONMENTAL PROTECTION AGENCY.

Q1-Q5	Option	Option description	
Q1 AK04B001	SAAK04B001	Engine without Epa label US market- EPA = Environmental Protection Agency.	
Q2 AL04B002 SER NO 5630-	SAAL04B002	Engine with Epa label US MARKET-EPA = ENVIRONMENTAL PROTECTION AGENCY.	

Pos	Part	Q1	Q2	Q3	Q4	Q5	PS	Kit	Description	Option(s)	Remark
1	VOE14510329	1					OP		Engine		(SA1110-30011)SER NO 5001-5167
	VOE14509620	1					OP		Engine		SER NO 5168-
	VOE14510332		1						Engine		SER NO 5630-

Date: 2013/12/15	Image id: SM102	Catalogue: 56130	Model: EW55
Brand: Volvo	Serial: 5001-9999	Group/Section: 210/200	Title: Repair kits for engine



Volvo Construction
Equipment
SM102

Section option	Kit	Option description
SAAK04B001		Engine without Epa label US market- EPA = Environmental Protection Agency.
SAAL08B002		Operator seat, suspended

Q1-Q5	Option	Option description	
Q1 AK04B001	SAAK04B001	Engine without Epa label US market- EPA = Environmental Protection Agency.	
Q2 AL08B002 SER NO 5630-	SAAL08B002	Operator seat, suspended	

Pos	Part	Q1	Q2	Q3	Q4	Q5	PS	Kit	Description	Option(s)	Remark
1	SA8210-06160	1	1						Gasket kit		
2	SA8210-04280	1	1						Gasket		
3	SA8210-06770	4	4						Seal		
4	SA8210-01980	4	4						Nozzle		
5	SA8210-08770	4	4				SS		Seat		

6	SA8210-04470	1	1						Gasket		
7	SA8210-04540	1	1						Gasket		
8	VOE11714737	1	1						Gasket		(SA8210-04570)
9	SA8210-03840	1	1						Gasket		NON ASB
10	SA8210-06740	4	4						Seal		
11	VOE11714738	2	2						O-ring		(SA8210-04770)P20
12	VOE11714739	1	1						O-ring		(SA8210-04780)P14
13	SA8210-04820	1	1						Gasket		
14	SA8210-04840	1	1						Gasket		
15	VOE11714740	1	1						Gasket		(SA8210-02790)
16	VOE11714741	1	1						Gasket		(SA8210-02840)NON ASB
17	SA8210-02780	1	1						Gasket		
18	VOE11714477	2	2						Gasket		(SA8210-05580)
19	VOE11714478	2	2						Gasket		(SA8210-03370)
20	SA8210-08860	1	1						O-ring		1AP-7.0
21	VOE11714386	3	3						O-ring		(SA8210-08870) 1AP-12.0
22	SA8210-05750	1	1						O-ring		1AP-24.0
23	VOE11714371	2	2						O-ring		(SA8210-08880) 1AP-32.0
24	VOE11714827	1	1						Gasket		(SA8210-01870)

<https://www.ebooklibonline.com>

Hello dear friend!

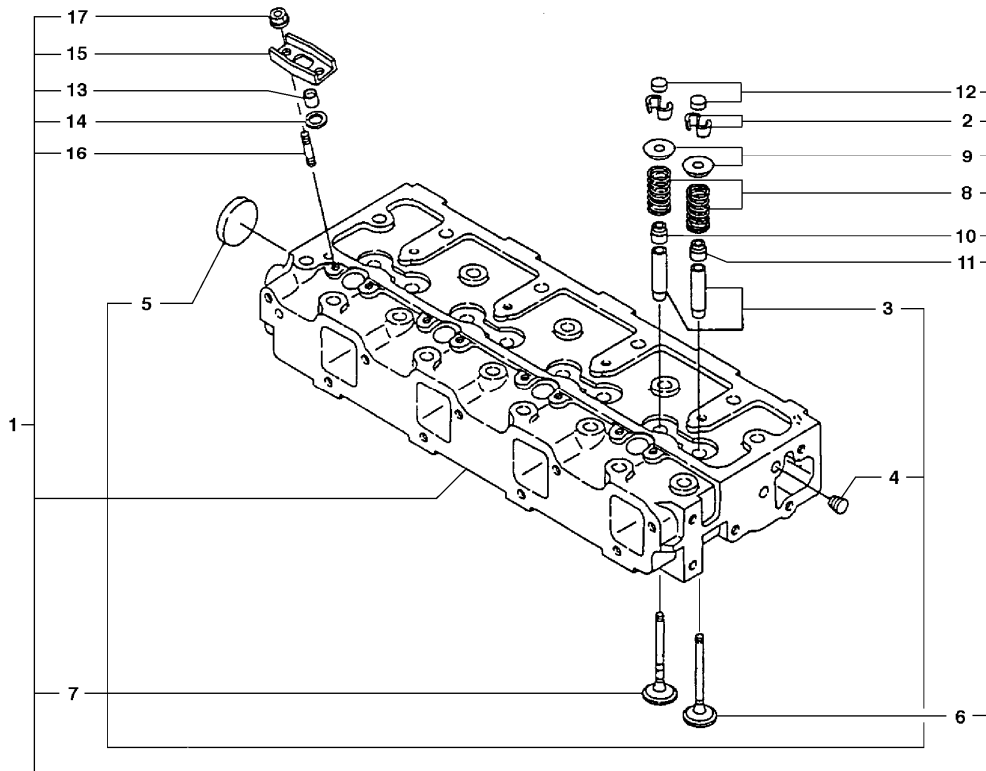
Thank you very much for reading.

Enter the link into your browser.

The full manual is available for immediate download.

<https://www.ebooklibonline.com>

Date: 2013/12/15	Image id: SM103	Catalogue: 56130	Model: EW55
Brand: Volvo	Serial: 5001-9999	Group/Section: 211/100	Title: Cylinder head



Volvo Construction
Equipment
SM103

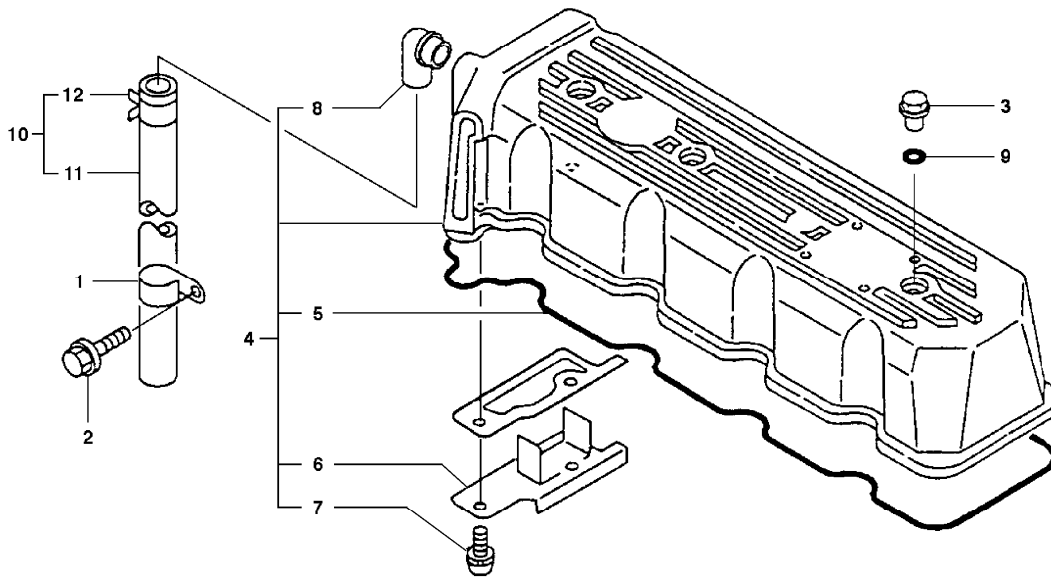
Section option	Kit	Option description
SAAK04B001		Engine without Epa label US market- EPA = Environmental Protection Agency.
SAAL04B002		Engine with Epa label US MARKET-EPA = ENVIRONMENTAL PROTECTION AGENCY.

Q1-Q5	Option	Option description	
Q1 AK04B001	SAAK04B001	Engine without Epa label US market- EPA = Environmental Protection Agency.	
Q2 AL04B002 SER NO 5630-	SAAL04B002	Engine with Epa label US MARKET-EPA = ENVIRONMENTAL PROTECTION AGENCY.	

Pos	Part	Q1	Q2	Q3	Q4	Q5	PS	Kit	Description	Option(s)	Remark
1	SA8210-06150	1	1						Cylinder head		
2	SA8210-05850	16	16						•Cotter Pin		
3	VOE11714713	8	8						•Valve guide		(SA8210-03690)
4	SA8210-05630	1	1						•Plug		
5	VOE11714379	1	1						•Plug		(SA8210-05840)

6	SA8210-04410	4	4						•Valve		INLET
7	SA8210-04420	4	4						•Valve		EXHAUST
8	SA8210-04430	8	8						•Spring		
9	SA8210-04250	8	8						•Retainer		
10	SA8210-06740	4	4						•Seal		
11	SA8210-06770	4	4						•Seal		
12	VOE11713647	8	8						•Cap		(SA8210-03670)
13	SA8210-01980	4	4						•Nozzle		
14	SA8210-08770	4	4				SS		•Seat		
15	SA8210-02000	4	4						•Retainer		
16	VOE15065819	8	8						•Stud		(SA8240-02010)
17	SA8240-02080	8	8						•Nut		

Date: 2013/12/15	Image id: SM104	Catalogue: 56130	Model: EW55
Brand: Volvo	Serial: 5001-9999	Group/Section: 211/200	Title: Valve cover



Volvo Construction
Equipment
SM104

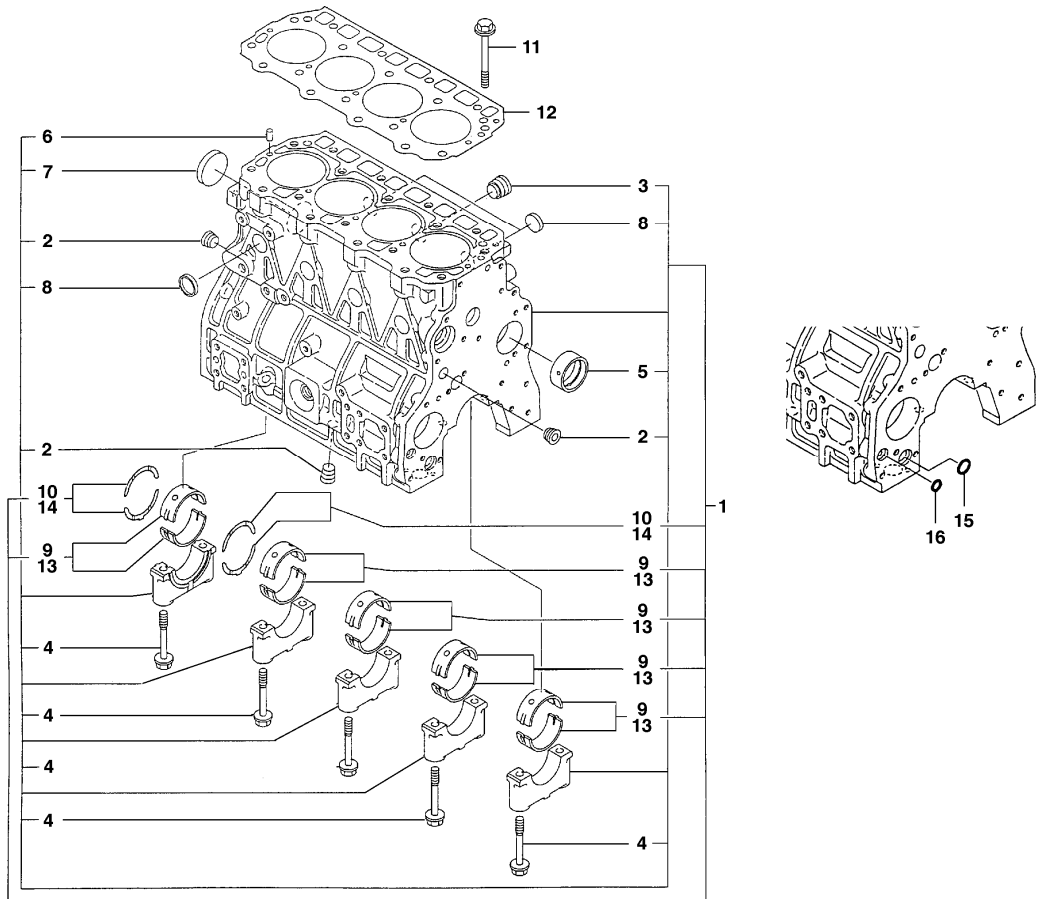
Section option	Kit	Option description
SAAK04B001		Engine without Epa label US market- EPA = Environmental Protection Agency.
SAAL04B002		Engine with Epa label US MARKET-EPA = ENVIRONMENTAL PROTECTION AGENCY.

Q1-Q5	Option	Option description	
Q1 AK04B001	SAAK04B001	Engine without Epa label US market- EPA = Environmental Protection Agency.	
Q2 AL04B002 SER NO 5630-	SAAL04B002	Engine with Epa label US MARKET-EPA = ENVIRONMENTAL PROTECTION AGENCY.	

Pos	Part	Q1	Q2	Q3	Q4	Q5	PS	Kit	Description	Option(s)	Remark
1	VOE11714824	1	1						Clamp		(SA8210-03650)
2	VOE11714490	1	1						Bolt		(SA8240-01670)
3	VOE11714385	3	3						Flange cap nut		(SA8210-03250)
4	SA8210-05160	1	1						Hood		
5	SA8210-04470	1	1						•Gasket		
6	SA8210-04510	1	1						•Plate		

7	SA8210-05530	2	2				SS		•Screw		
8	SA8210-01780	1	1						•Joint		
9	VOE11714386	3	3						O-ring		(SA8210-08870)
10	SA8210-05100	1	1						Hose		
11	SA8210-01690	1	1						•Hose		
12	VOE11714822	1	1						•Hose clamp		(SA8210-05180)

Date: 2013/12/15	Image id: SM105	Catalogue: 56130	Model: EW55
Brand: Volvo	Serial: 5001-9999	Group/Section: 212/100	Title: Cylinder block



Volvo Construction
Equipment
SM105

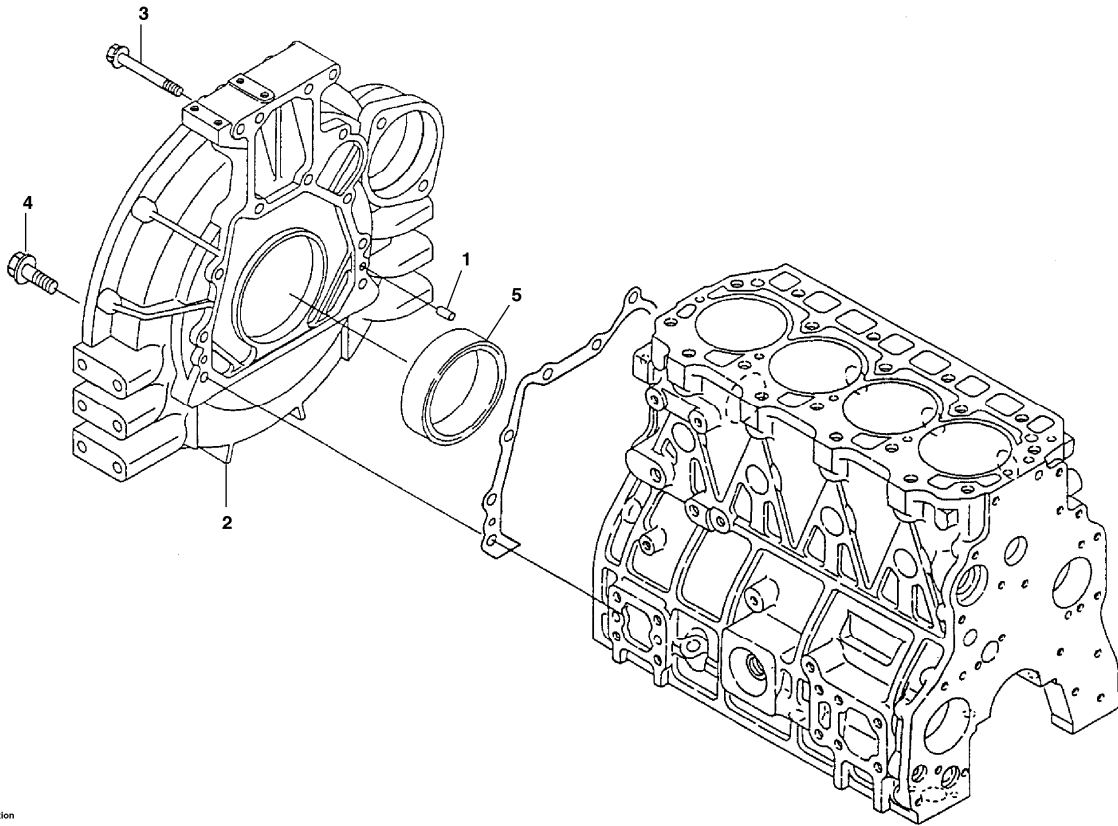
Section option	Kit	Option description
SAAK04B001		Engine without Epa label US market- EPA = Environmental Protection Agency.
SAAL04B002		Engine with Epa label US MARKET-EPA = ENVIRONMENTAL PROTECTION AGENCY.

Q1-Q5	Option	Option description	
Q1 AK04B001	SAAK04B001	Engine without Epa label US market- EPA = Environmental Protection Agency.	
Q2 AL04B002 SER NO 5630-	SAAL04B002	Engine with Epa label US MARKET-EPA = ENVIRONMENTAL PROTECTION AGENCY.	

Pos	Part	Q1	Q2	Q3	Q4	Q5	PS	Kit	Description	Option(s)	Remark
1	SA8210-06130	1	1						Cylinder block		
2	SA8210-05640	3	3						•Plug		
3	SA8210-05320	1	1				SS		•Plug		
4	VOE11714756	10	10						•Screw		(SA8210-04340)
5	VOE11714757	1	1						•Bushing		(SA8210-04360)

6	VOE11714387	2	2						•Spring pin		(SA8240-01340)
7	SA8210-05790	1	1						•Plug		
8	VOE11714369	8	8						•Plug		(SA8210-06750)
9	SA8210-04370	5	5				SS		•Bearing		MAIN
10	VOE15057699	2	2						•Thrust washer		(SA8210-04380) THRUST
11	VOE11714759	18	18						Screw		(SA8210-04270)
12	SA8210-04280	1	1						Gasket		
13	VOE11714760	5	5						Main bearing		(SA8210-04350) USZ=0.25
14	VOE11714761	2	2						Thrust washer		(SA8210-04390) OSZ=0.25
15	VOE11714738	1	1						O-ring		(SA8210-04770)
16	VOE11714739	1	1						O-ring		(SA8210-04780)

Date: 2013/12/15	Image id: SM106	Catalogue: 56130	Model: EW55
Brand: Volvo	Serial: 5001-9999	Group/Section: 212/300	Title: Flywheel housing



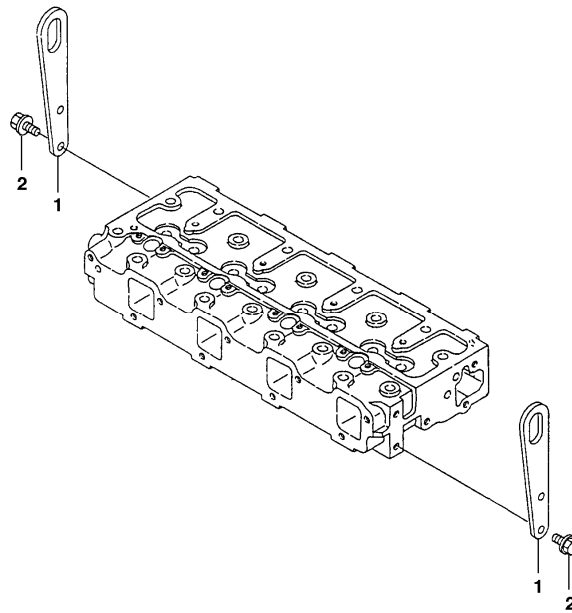
Volvo Construction
Equipment
SM106

Section option	Kit	Option description
SAAK04B001		Engine without Epa label US market- EPA = Environmental Protection Agency.
SAAL04B002		Engine with Epa label US MARKET-EPA = ENVIRONMENTAL PROTECTION AGENCY.

Q1-Q5	Option	Option description	
Q1 AK04B001	SAAK04B001	Engine without Epa label US market- EPA = Environmental Protection Agency.	
Q2 AL04B002 SER NO 5630-	SAAL04B002	Engine with Epa label US MARKET-EPA = ENVIRONMENTAL PROTECTION AGENCY.	

Pos	Part	Q1	Q2	Q3	Q4	Q5	PS	Kit	Description	Option(s)	Remark
1	VOE11714376	2	2						Pin		(SA8210-03530)
2	VOE11714762	1	1						Flywheel housing		(SA8210-04290)
3	VOE11714764	4	4						Screw		(SA8240-01990)
4	VOE11714763	9	9						Screw		(SA8240-01980)
5	SA8210-03350	1	1				SS		Seal		

Date: 2013/12/15	Image id: SM107	Catalogue: 56130	Model: EW55
Brand: Volvo	Serial: 5001-9999	Group/Section: 212/500	Title: Lifting eye



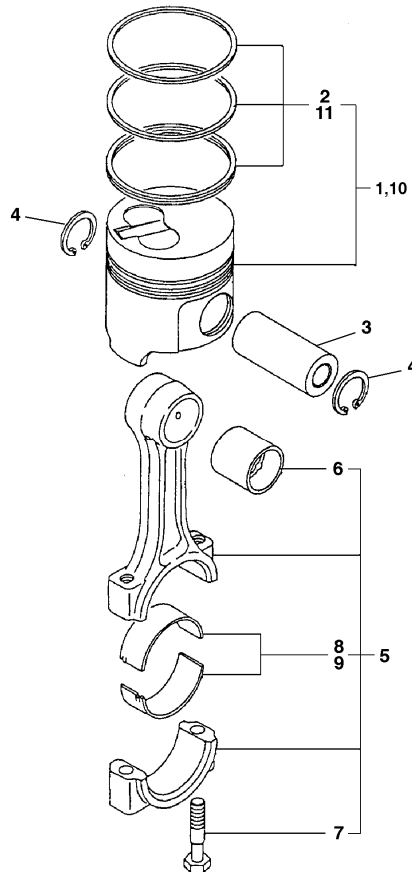
Volvo Construction
Equipment
SM107

Section option	Kit	Option description
SAAK04B001		Engine without Epa label US market- EPA = Environmental Protection Agency.
SAAL04B002		Engine with Epa label US MARKET-EPA = ENVIRONMENTAL PROTECTION AGENCY.

Q1-Q5	Option	Option description	
Q1 AK04B001	SAAK04B001	Engine without Epa label US market- EPA = Environmental Protection Agency.	
Q2 AL04B002 SER NO 5630-	SAAL04B002	Engine with Epa label US MARKET-EPA = ENVIRONMENTAL PROTECTION AGENCY.	

Pos	Part	Q1	Q2	Q3	Q4	Q5	PS	Kit	Description	Option(s)	Remark
1	VOE11714378	2	2						Lift		(SA8210-04400)
2	VOE11714372	4	4						Screw		(SA8240-01680)

Date: 2013/12/15	Image id: SM108	Catalogue: 56130	Model: EW55
Brand: Volvo	Serial: 5001-9999	Group/Section: 213/100	Title: Connecting rod and piston



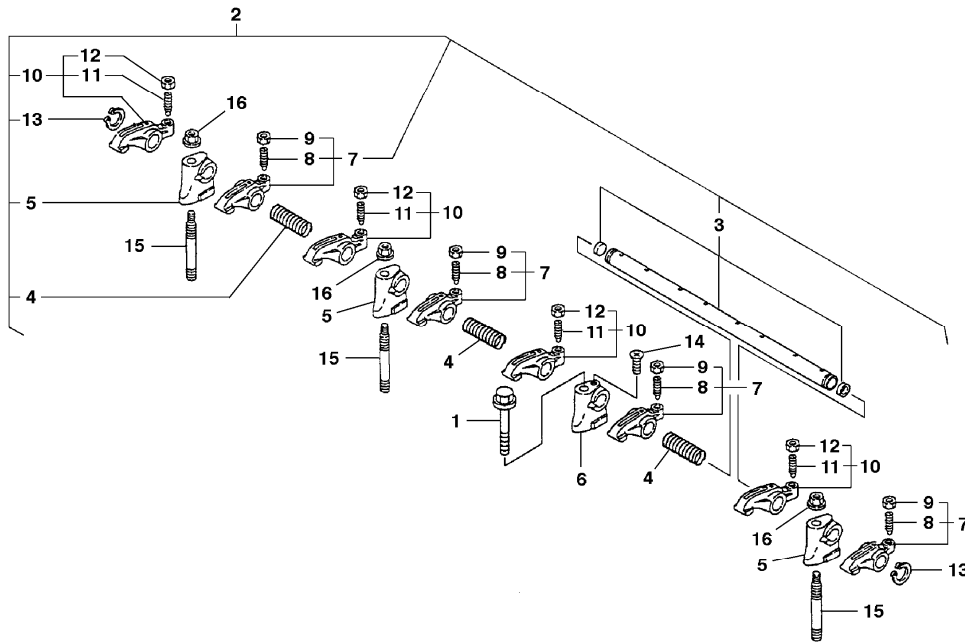
Section option	Kit	Option description
SAAK04B001		Engine without Epa label US market- EPA = Environmental Protection Agency.
SAAL04B002		Engine with Epa label US MARKET-EPA = ENVIRONMENTAL PROTECTION AGENCY.

Q1-Q5	Option	Option description	
Q1 AK04B001	SAAK04B001	Engine without Epa label US market- EPA = Environmental Protection Agency.	
Q2 AL04B002 SER NO 5630-	SAAL04B002	Engine with Epa label US MARKET-EPA = ENVIRONMENTAL PROTECTION AGENCY.	

Pos	Part	Q1	Q2	Q3	Q4	Q5	PS	Kit	Description	Option(s)	Remark
1	VOE14509612	4	4						Piston		
2	VOE14509613	4	4						•Ring		
3	VOE11714797	4	4						Gudgeon pin		(SA8210-02170)
4	SA8240-01140	8	8						Retaining ring		
5	VOE11714799	4	4						Connecting rod		(SA8210-04680)

6	SA8210-04720	4	4						•Bushing		
7	VOE11714801	8	8						•Screw		(SA8210-04690)
8	VOE11714802	4	4						•Piston Bearing		(SA8210-04700)
9	VOE11714803	4	4						Piston Bearing		(SA8210-04710) USZ=0.25
10	VOE14515299	4	4						Piston		(SA8210-04670) OSZ=0.25
	VOE14521492	4	4						Piston		0.50 O SZ
11	SA8210-05030	4	4						•Ring		OSZ=0.25, SET
	VOE14521493	1	1						•Ring		0.50 O SZ

Date: 2013/12/15	Image id: SM109	Catalogue: 56130	Model: EW55
Brand: Volvo	Serial: 5001-9999	Group/Section: 214/200	Title: Rocker arm



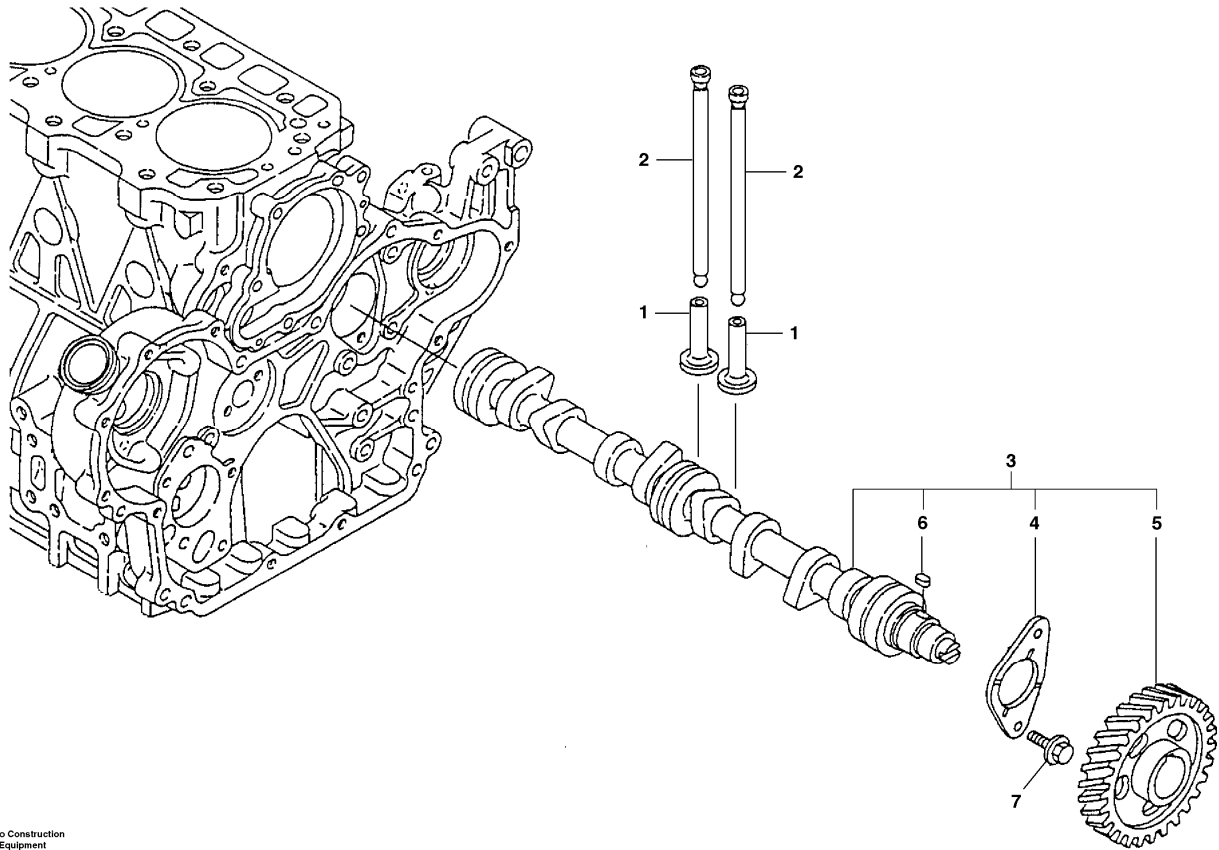
Volvo Construction
Equipment
SM109

Section option	Kit	Option description
SAAK04B001		Engine without Epa label US market- EPA = Environmental Protection Agency.
SAAL04B002		Engine with Epa label US MARKET-EPA = ENVIRONMENTAL PROTECTION AGENCY.

Q1-Q5	Option	Option description	
Q1 AK04B001	SAAK04B001	Engine without Epa label US market- EPA = Environmental Protection Agency.	
Q2 AL04B002 SER NO 5630-	SAAL04B002	Engine with Epa label US MARKET-EPA = ENVIRONMENTAL PROTECTION AGENCY.	

Pos	Part	Q1	Q2	Q3	Q4	Q5	PS	Kit	Description	Option(s)	Remark
1	SA8240-01860	1	1						Bolt		
2	SA8210-04440	1	1						Support		
3	SA8210-04450	1	1						Shaft		
4	SA8210-04460	3	3						Spring		
5	SA8210-04480	3	3						Support		

Date: 2013/12/15	Image id: SM110	Catalogue: 56130	Model: EW55
Brand: Volvo	Serial: 5001-9999	Group/Section: 215/100	Title: Camshaft



Volvo Construction
Equipment
SM110

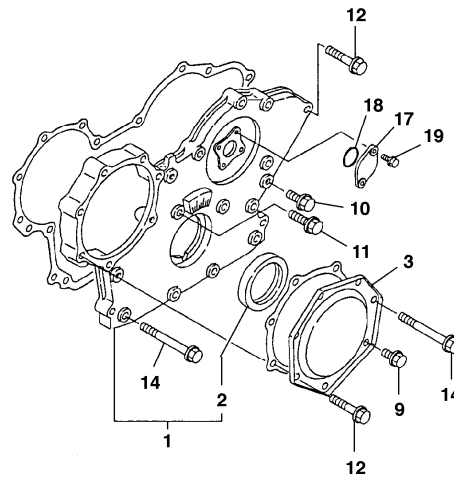
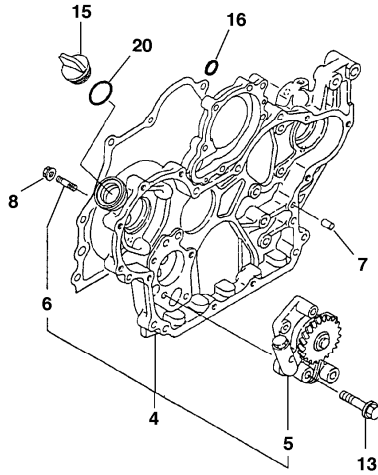
Section option	Kit	Option description
SAAK04B001		Engine without Epa label US market- EPA = Environmental Protection Agency.
SAAL04B002		Engine with Epa label US MARKET-EPA = ENVIRONMENTAL PROTECTION AGENCY.

Q1-Q5	Option	Option description	
Q1 AK04B001	SAAK04B001	Engine without Epa label US market- EPA = Environmental Protection Agency.	
Q2 AL04B002 SER NO 5630-	SAAL04B002	Engine with Epa label US MARKET-EPA = ENVIRONMENTAL PROTECTION AGENCY.	

Pos	Part	Q1	Q2	Q3	Q4	Q5	PS	Kit	Description	Option(s)	Remark
1	SA8210-08810	8	8				SS		Tappet		
2	SA8210-04590	8	8						Rod		
3	SA8210-04600	1	1						Camshaft		
4	SA8210-03640	1	1						•Bearing		
5	SA8210-04580	1	1						•Gear		

6	SA8210-05520	1	1						•Key		
7	VOE11714372	2	2						Screw		(SA8240-01680)

Date: 2013/12/15	Image id: SM111	Catalogue: 56130	Model: EW55
Brand: Volvo	Serial: 5001-9999	Group/Section: 215/200	Title: Timing gear casing



Volvo Construction
Equipment
SM111

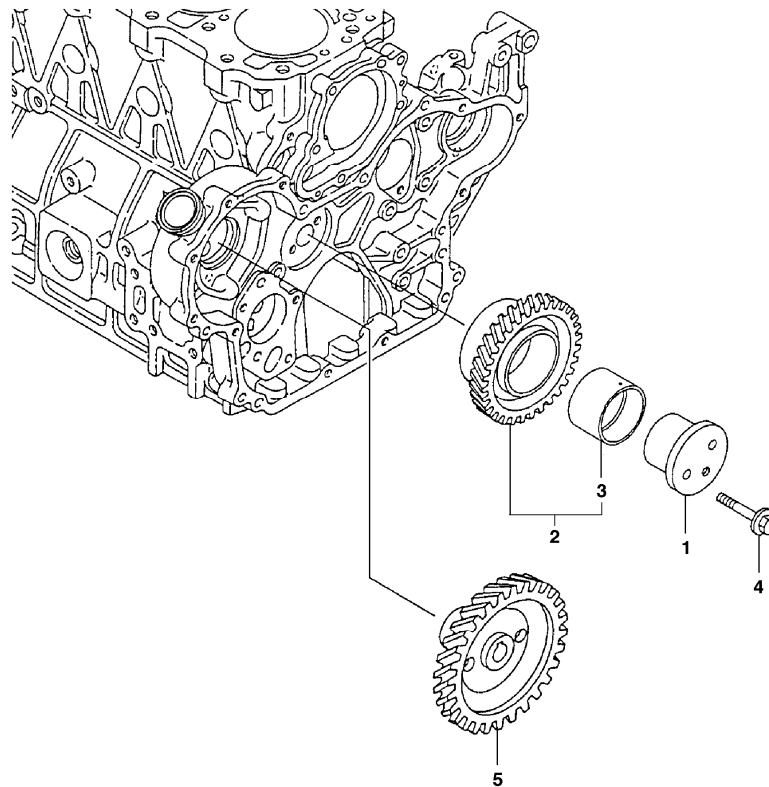
Section option	Kit	Option description
SAAK04B001		Engine without Epa label US market- EPA = Environmental Protection Agency.
SAAL04B002		Engine with Epa label US MARKET-EPA = ENVIRONMENTAL PROTECTION AGENCY.

Q1-Q5	Option	Option description	
Q1 AK04B001	SAAK04B001	Engine without Epa label US market- EPA = Environmental Protection Agency.	
Q2 AL04B002 SER NO 5630-	SAAL04B002	Engine with Epa label US MARKET-EPA = ENVIRONMENTAL PROTECTION AGENCY.	

Pos	Part	Q1	Q2	Q3	Q4	Q5	PS	Kit	Description	Option(s)	Remark
1	SA8210-06140	1	1						Cover		
2	SA8210-04310	1	1						•Seal		
3	VOE11714746	1	1						Cover		(SA8210-04300)
4	SA8210-04320	1	1						Housing		
5	VOE14525387	1	1						•Pump		(SA8210-04760)

6	SA8240-02060	4	4						•Stud		
7	SA8240-01260	4	4						Pin		
8	SA8240-02100	4	4						Nut		
9	VOE11714372	1	1						Bolt		(SA8240-01680)
10	VOE11714388	3	3						Bolt		(SA8240-01700)
11	SA8210-08890	1	1						Bolt		
12	VOE11714487	10	10						Bolt		(SA8240-01710)
13	VOE11714377	3	3						Bolt		(SA8240-01720)
14	VOE14521510	7	7						Bolt		(SA8240-01760)
15	VOE11714383	1	1						Cap		(SA8210-03240)
16	SA8210-08860	1	1						O-ring		
17	VOE11713625	1	1						Cover		(SA8210-02220)
18	SA8210-05750	1	1						O-ring		
19	VOE11714374	2	2						Bolt		(SA8240-01600)
20	VOE11714371	2	2						O-ring		(SA8210-08880)
21	SA8210-05300	1	1						Pipe		

Date: 2013/12/15	Image id: SM112	Catalogue: 56130	Model: EW55
Brand: Volvo	Serial: 5001-9999	Group/Section: 215/250	Title: Timing gear



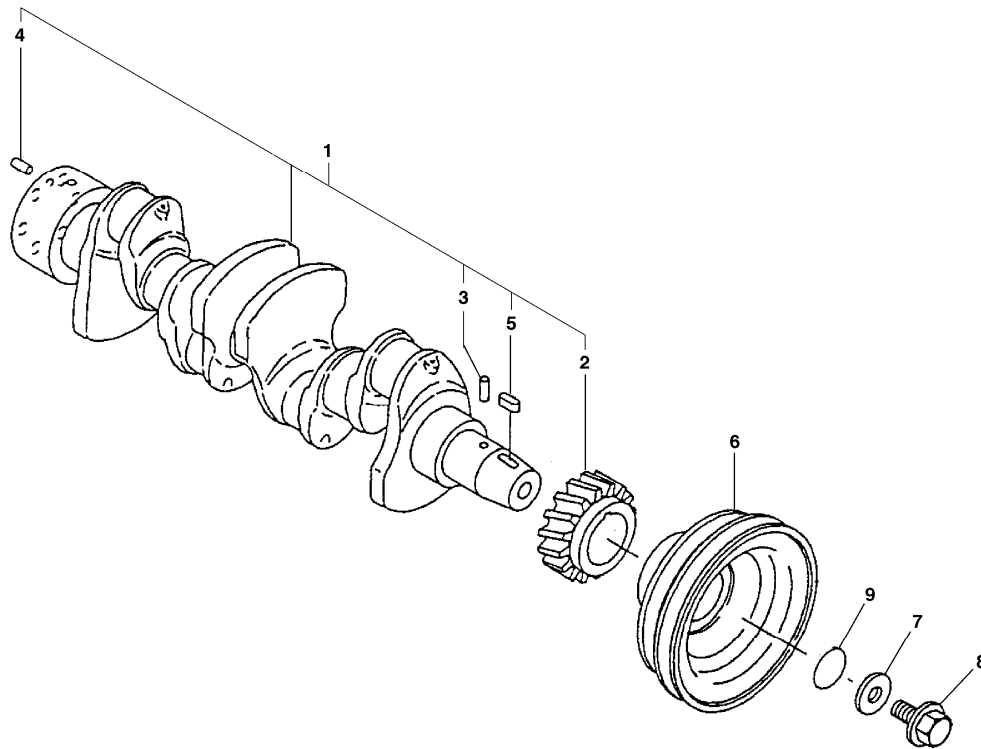
Volvo Construction
Equipment
SM112

Section option	Kit	Option description
SAAK04B001		Engine without Epa label US market- EPA = Environmental Protection Agency.
SAAL04B002		Engine with Epa label US MARKET-EPA = ENVIRONMENTAL PROTECTION AGENCY.

Q1-Q5	Option	Option description	
Q1 AK04B001	SAAK04B001	Engine without Epa label US market- EPA = Environmental Protection Agency.	
Q2 AL04B002 SER NO 5630-	SAAL04B002	Engine with Epa label US MARKET-EPA = ENVIRONMENTAL PROTECTION AGENCY.	

Pos	Part	Q1	Q2	Q3	Q4	Q5	PS	Kit	Description	Option(s)	Remark
1	SA8210-04730	1	1						Shaft		
2	VOE11714785	1	1						Gear		(SA8210-04740)
3	SA8210-03700	1	1						•Bushing		
4	VOE11714373	2	2						Bolt		(SA8240-01730)
5	SA8210-04750	1	1						Gear		

Date: 2013/12/15	Image id: SM113A	Catalogue: 56130	Model: EW55
Brand: Volvo	Serial: 5001-9999	Group/Section: 216/100	Title: Crankshaft



Volvo Construction
Equipment
SM113A

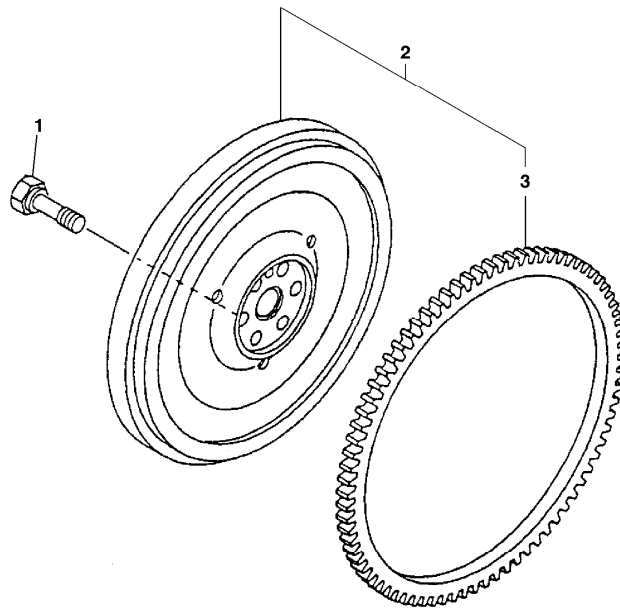
Section option	Kit	Option description
SAAK04B001		Engine without Epa label US market- EPA = Environmental Protection Agency.
SAAL04B002		Engine with Epa label US MARKET-EPA = ENVIRONMENTAL PROTECTION AGENCY.

Q1-Q5	Option	Option description	
Q1 AK04B001	SAAK04B001	Engine without Epa label US market- EPA = Environmental Protection Agency.	
Q2 AL04B002 SER NO 5630-	SAAL04B002	Engine with Epa label US MARKET-EPA = ENVIRONMENTAL PROTECTION AGENCY.	

Pos	Part	Q1	Q2	Q3	Q4	Q5	PS	Kit	Description	Option(s)	Remark
1	SA8210-04610	1	1						Crankshaft		
2	VOE11714790	1	1						•Crankshaft gear		(SA8210-04620)
3	VOE11714791	1	1						•Guide pin		(SA8210-02710)
4	VOE11714792	1	1						•Guide pin		(SA8210-02740)
5	SA8210-05520	1	1						•Key		

6	VOE14509380	1	1						Pulley		
7	VOE14509381	1	1						Washer		
8	SA8210-02730	1	1						Bolt		
9	VOE14509382	1	1						O-ring		

Date: 2013/12/15	Image id: SM114	Catalogue: 56130	Model: EW55
Brand: Volvo	Serial: 5001-9999	Group/Section: 216/200	Title: Flywheel



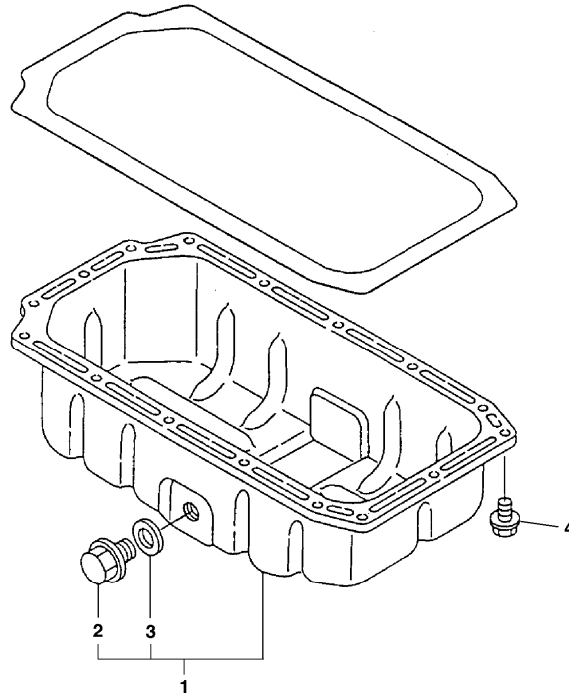
Volvo Construction
Equipment
SM114

Section option	Kit	Option description
SAAK04B001		Engine without Epa label US market- EPA = Environmental Protection Agency.
SAAL04B002		Engine with Epa label US MARKET-EPA = ENVIRONMENTAL PROTECTION AGENCY.

Q1-Q5	Option	Option description	
Q1 AK04B001	SAAK04B001	Engine without Epa label US market- EPA = Environmental Protection Agency.	
Q2 AL04B002 SER NO 5630-	SAAL04B002	Engine with Epa label US MARKET-EPA = ENVIRONMENTAL PROTECTION AGENCY.	

Pos	Part	Q1	Q2	Q3	Q4	Q5	PS	Kit	Description	Option(s)	Remark
1	VOE11714793	6	6						Screw		(SA8210-02690)
2	VOE14500479	1	1						Flywheel		
3	VOE11714795	1	1						•Gear Ring		(SA8210-04630)

Date: 2013/12/15	Image id: SM115	Catalogue: 56130	Model: EW55
Brand: Volvo	Serial: 5001-9999	Group/Section: 217/100	Title: Oil sump



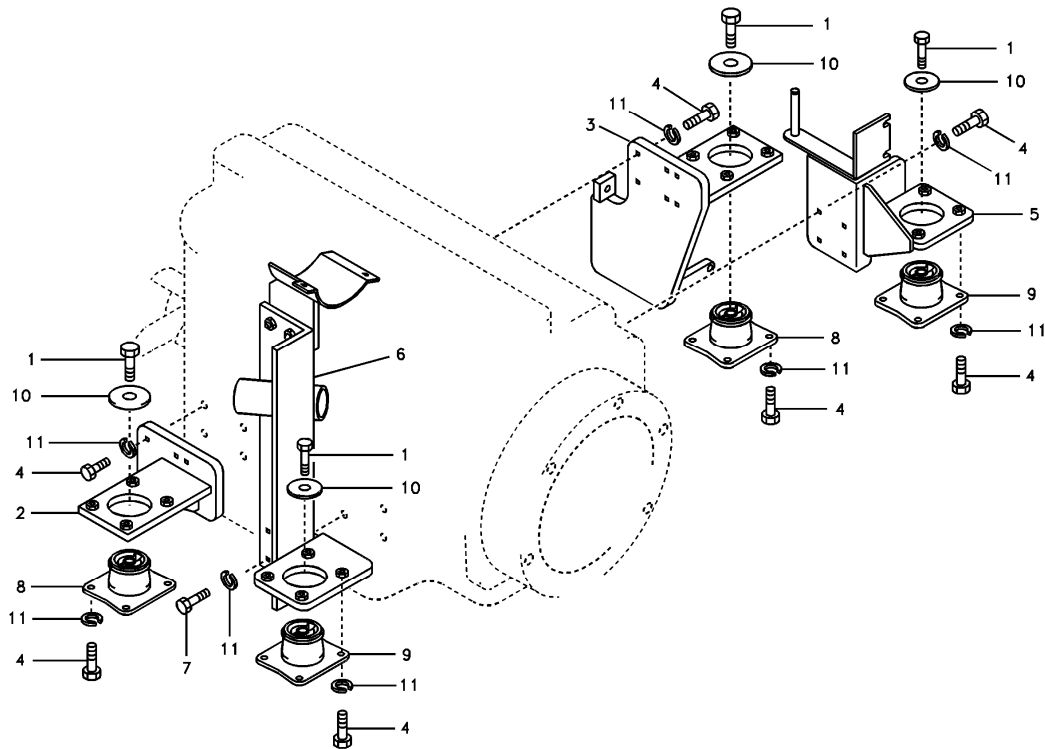
Volvo Construction
Equipment
SM115

Section option	Kit	Option description
SAAK04B001		Engine without Epa label US market- EPA = Environmental Protection Agency.
SAAL04B002		Engine with Epa label US MARKET-EPA = ENVIRONMENTAL PROTECTION AGENCY.

Q1-Q5	Option	Option description	
Q1 AK04B001	SAAK04B001	Engine without Epa label US market- EPA = Environmental Protection Agency.	
Q2 AL04B002 SER NO 5630-	SAAL04B002	Engine with Epa label US MARKET-EPA = ENVIRONMENTAL PROTECTION AGENCY.	

Pos	Part	Q1	Q2	Q3	Q4	Q5	PS	Kit	Description	Option(s)	Remark
1	SA8210-05040	1	1						Oil Pan		
2	SA8210-02010	1	1						Plug		
3	SA8240-01050	1	1						Washer		
4	VOE11714490	21	21						Screw		(SA8240-01670)

Date: 2013/12/15	Image id: 1003555	Catalogue: 56130	Model: EW55
Brand: Volvo	Serial: 5001-9999	Group/Section: 218/100	Title: Engine mount



Volvo Construction
Equipment
1003555

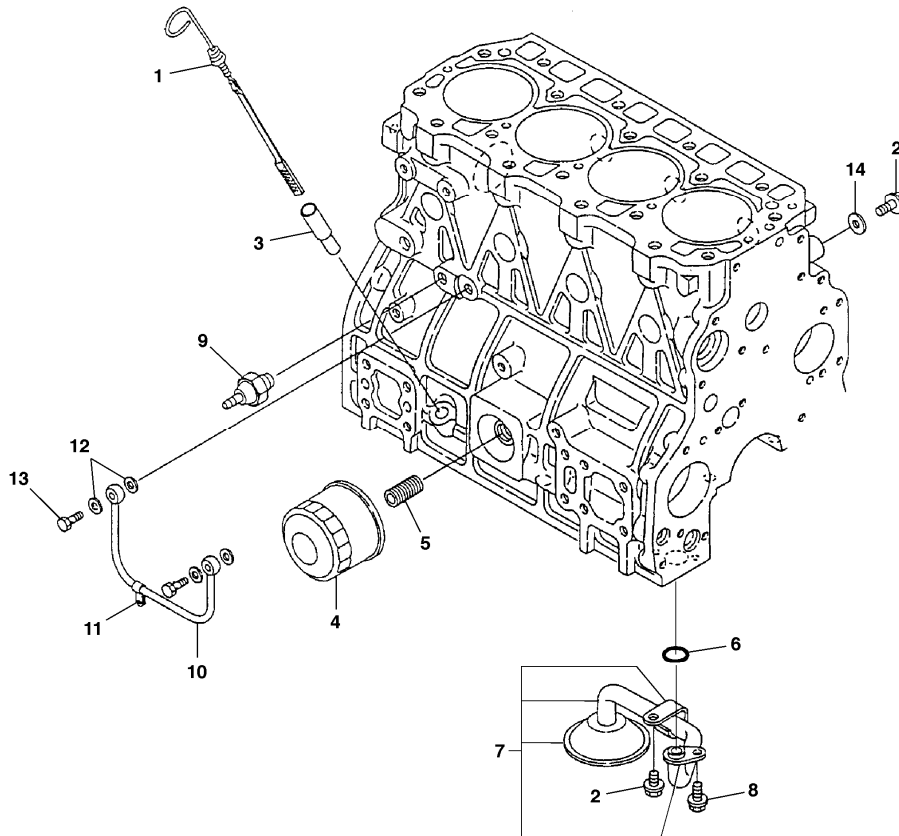
Section option	Kit	Option description
SAAK00A001		Basic Machine EW55

Q1-Q5	Option	Option description	
Q1 AK00A001	SAAK00A001	Basic Machine EW55	

Pos	Part	Q1	Q2	Q3	Q4	Q5	PS	Kit	Description	Option(s)	Remark
1	VOE978941	4							Hexagon screw		
2	SA1112-30382	1							Bracket		
3	SA1112-30393	1					SS		Bracket		
4	VOE983252	30							Hexagon screw		
5	SA1112-30481	1					OP		Bracket		
6	SA1112-30414	1							Bracket		
7	VOE983254	4							Hexagon screw		
8	VOE14592731	2							Cushion		(SA1112-30340)
9	VOE14592730	2							Cushion		(SA1112-30350)

10	SA1112-00830	4							Plate		
11	VOE955922	34							Spring washer		SER NO 5487-

Date: 2013/12/15	Image id: SM117	Catalogue: 56130	Model: EW55
Brand: Volvo	Serial: 5001-9999	Group/Section: 220/300	Title: Lubricating oil system



Volvo Construction
Equipment
SM117

Section option	Kit	Option description
SAAK04B001		Engine without Epa label US market- EPA = Environmental Protection Agency.
SAAL04B002		Engine with Epa label US MARKET-EPA = ENVIRONMENTAL PROTECTION AGENCY.

Q1-Q5	Option	Option description	
Q1 AK04B001	SAAK04B001	Engine without Epa label US market- EPA = Environmental Protection Agency.	
Q2 AL04B002 SER NO 5630-	SAAL04B002	Engine with Epa label US MARKET-EPA = ENVIRONMENTAL PROTECTION AGENCY.	

Pos	Part	Q1	Q2	Q3	Q4	Q5	PS	Kit	Description	Option(s)	Remark
1	SA8210-05390	1	1						Dipstick		
2	VOE11714490	2	2						Bolt		(SA8240-01670)
3	VOE11715318	1	1						Dipstick tube		(SA8210-03930)
4	SA8210-03720	1	1				SS		Oil Filter		
5	VOE11714907	1	1						Fitting		(SA8210-00920)



Suggest:

For more complete manuals. Please go to the home page.

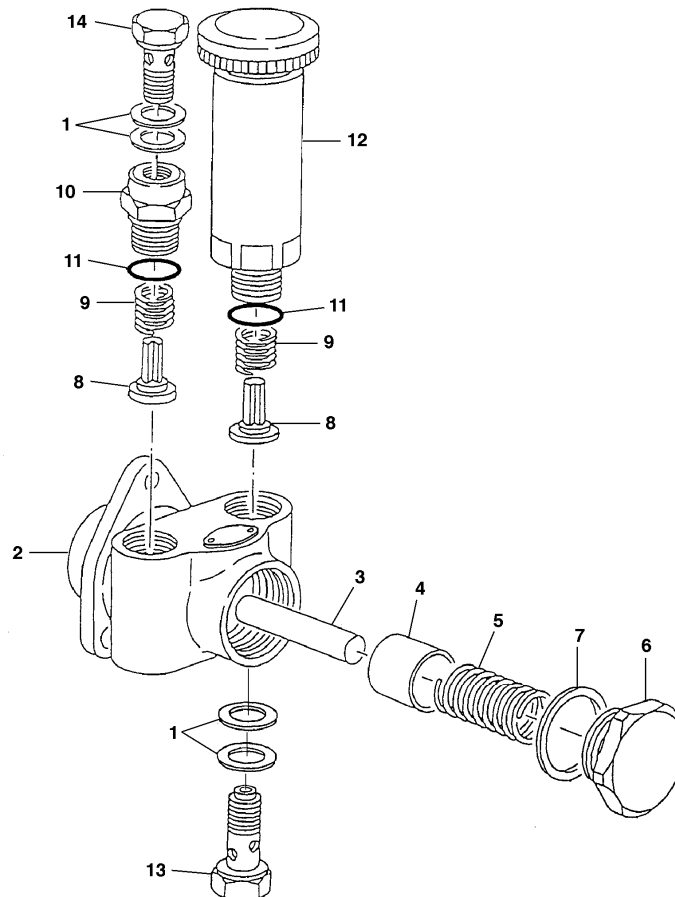
<https://www.ebooklibonline.com>

If the above button click is invalid. Please download this document first, and then click the above link to download the complete manual.

Thank you so much for reading

6	VOE11714738	1	1					O-ring		(SA8210-04770)
7	SA8210-04790	1	1					Pipe		
8	VOE11714372	1	1					Bolt		(SA8240-01680)
9	SA8210-06760	1	1					Switch		
10	SA8210-04800	1	1					Pipe		
11	SA8210-05570	1	1					Retainer		
12	VOE11714477	2	2					Gasket		(SA8210-05580)
13	SA8210-05600	1	1					Bolt		
14	VOE11714476	1	1					Sealing washer		(SA8240-01020)

Date: 2013/12/15	Image id: SM118	Catalogue: 56130	Model: EW55
Brand: Volvo	Serial: 5001-9999	Group/Section: 233/200	Title: Fuel feed pump



Volvo Construction
Equipment
SM118

Q1-Q5	Option	Option description	
Q1 AK04B001	SAAK04B001	Engine without Epa label US market- EPA = Environmental Protection Agency.	
Q2 AL04B002 SER NO 5630-	SAAL04B002	Engine with Epa label US MARKET-EPA = ENVIRONMENTAL PROTECTION AGENCY.	

Pos	Part	Q1	Q2	Q3	Q4	Q5	PS	Kit	Description	Option(s)	Remark
	SA8210-04850	1	1						Feed Pump		
1	SA8210-06310	2	2						•Gasket		
2	SA8210-08260	1	1						•Housing		
3	SA8210-08250	1	1						•Bar		
4	SA8210-08270	1	1						•Piston		
5	SA8210-08280	1	1						•Spring		
6	SA8210-08290	1	1						•Plug		
7	SA8210-08230	1	1						•Gasket		
8	SA8210-08300	2	2						•Valve		

<https://www.ebooklibonline.com>

Hello dear friend!

Thank you very much for reading.

Enter the link into your browser.

The full manual is available for immediate download.

<https://www.ebooklibonline.com>