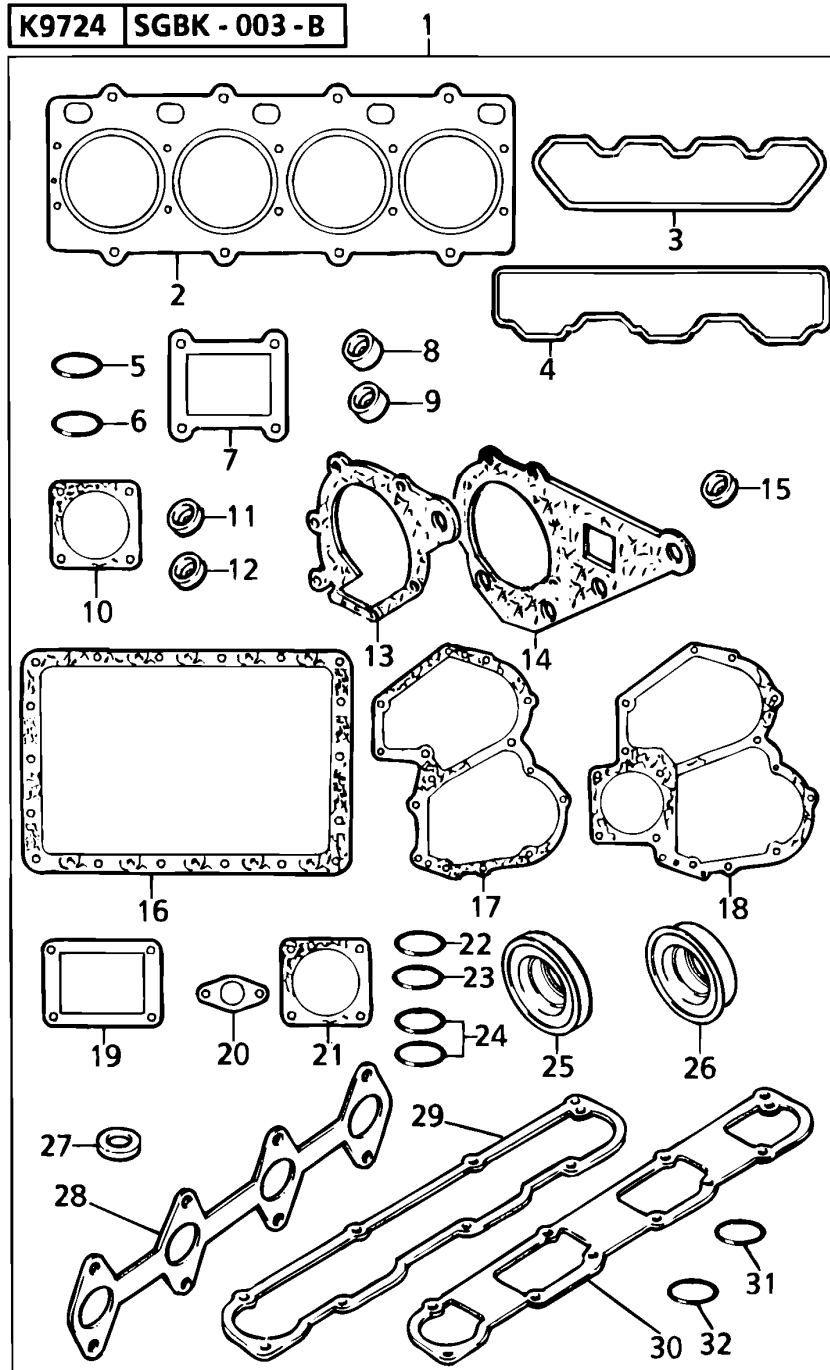


Date: 2013/12/17	Image id: A88T1	Catalogue: 10012	Model: EW50 VV
Brand: Volvo	Serial: 10151-99999	Group/Section: 210/50	Title: Engine gasket kit

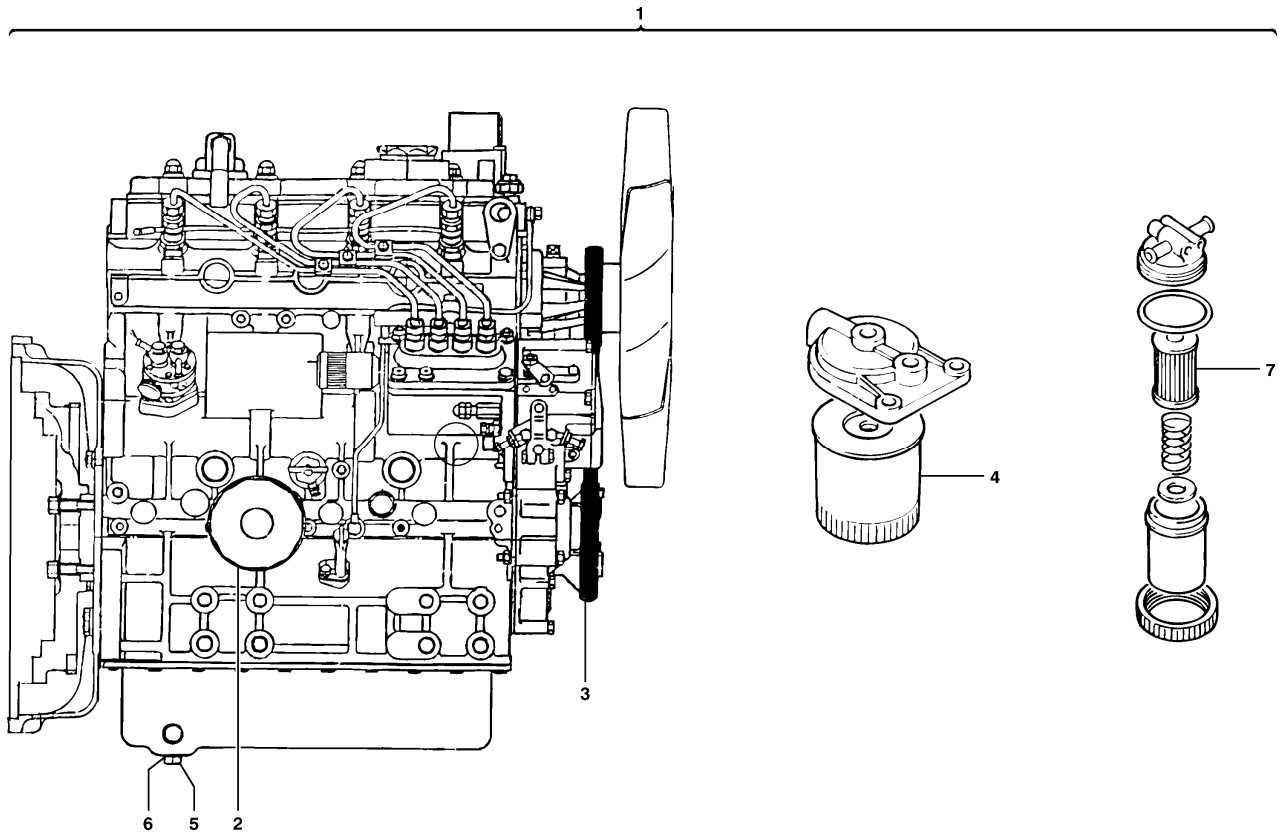


Volvo Construction
Equipment
A88T1

Q1-Q5	Option	Option description	
Q1	256.10151		

Pos	Part	Q1	Q2	Q3	Q4	Q5	PS	Kit	Description	Option(s)	Remark
1	PJ195907120	1							Sealing Kit		
2	PJ111147460	1					SS		Cyl Head Gasket		
3	PJ052109072	1							Gasket		
4	PJ052109074	1							Gasket		
5	PJ052109076	1							O-ring		
6	PJ052100400	1							Seal		
7	PJ145996710	1					SS		Seal		
8	PJ120406050	4							Seal		
9	PJ120406070	4							Seal		
10	PJ314990013	1							Seal		
11	PJ140996270	4							Washer		
12	PJ131426230	4							Seal		
13	PJ145996051	1							Seal		
14	PJ145996670	1					SS		Seal		
15	PJ131426200	4							Seal		
16	PJ110996860	1							Seal		
17	PJ165996550	1					SS		Seal		
18	PJ165996540	1							Seal		
19	PJ131426320	1					NS		Shim		
20	PJ130996130	1					NS		Seal		
21	PJ165996110	1							Seal		
22	PJ052300600	1							O-ring		
24	PJ052100100	2							O-ring		
25	PJ198636160	1							Seal		
26	PJ050209083	1							Seal		
27	PJ140996260	1							Washer		
28	PJ135996780	1							Seal		
29	VOE15033923	1							Gasket		(PJ135996880)
30	PJ135996870	1							Seal		
31	PJ052109076	1							O-ring		
32	VOE11712577	1							O-ring		(PJ052109078)

Date: 2013/12/17	Image id: 1006489	Catalogue: 10012	Model: EW50 VV
Brand: Volvo	Serial: 10151-99999	Group/Section: 210/100	Title: Diesel engine



Volvo Construction
Equipment
1006489

Q1-Q5	Option	Option description	
Q1 256.10151			

Pos	Part	Q1	Q2	Q3	Q4	Q5	PS	Kit	Description	Option(s)	Remark
1	PJ5370213	1					OP		Engine		
2	PJ7413694	1							Oil Filter		
2	PJ7413694/10	1					SS		Filter Kit		
3	PJ7414802	1							Belt		
4	PJ7413693	1							Fuel filter		
4	PJ7413693/10	1					SS		Filter Kit		
5	PJ7413690	2							Plug		
6	PJ7413691	2							Bushing		
7	VOE11715846	1							Fuel filter insert		(PJ7412921)
7	PJ7412921/20	1					SS		Filter Kit		

<https://www.ebooklibonline.com>

Hello dear friend!

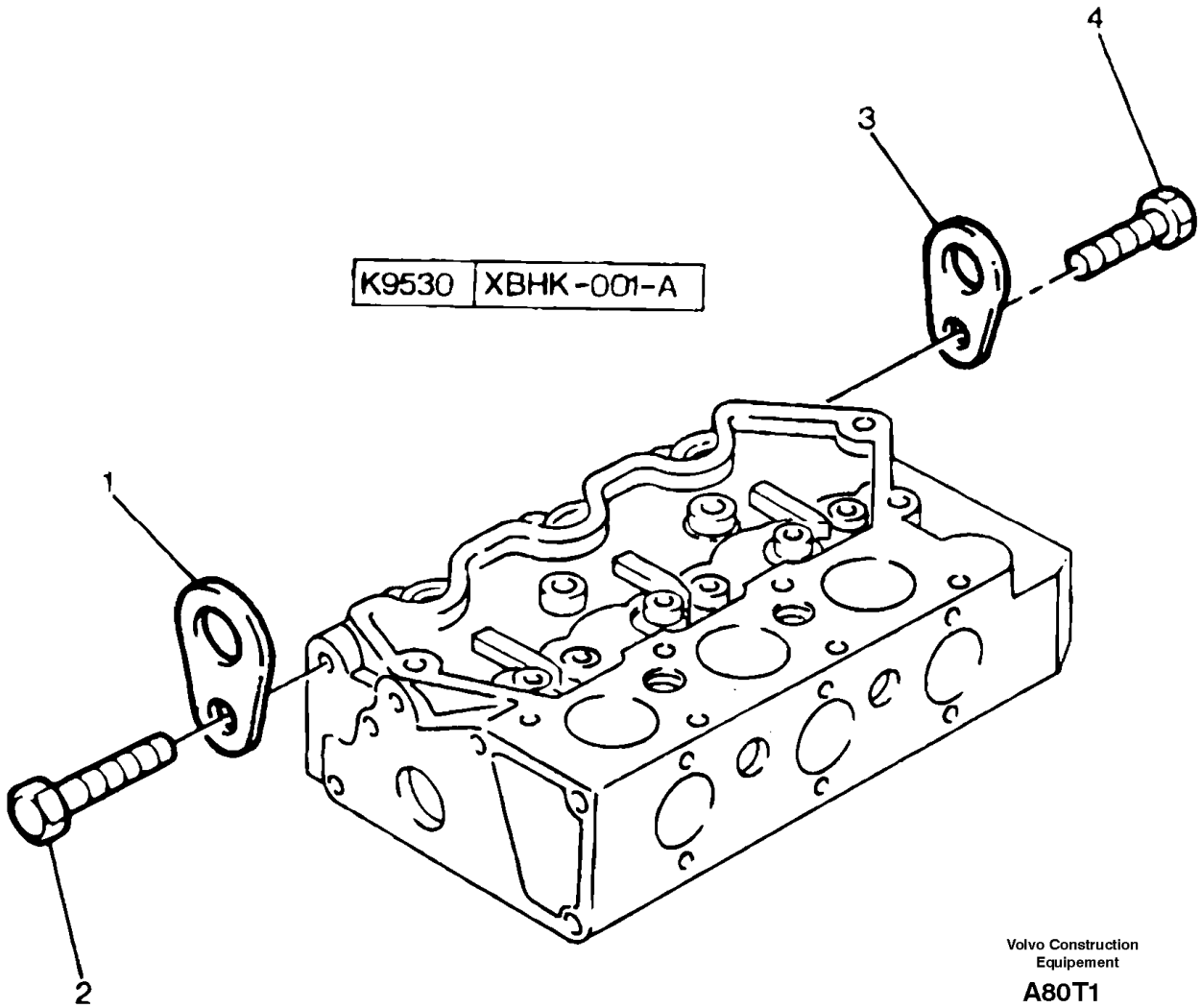
Thank you very much for reading.

Enter the link into your browser.

The full manual is available for immediate download.

<https://www.ebooklibonline.com>

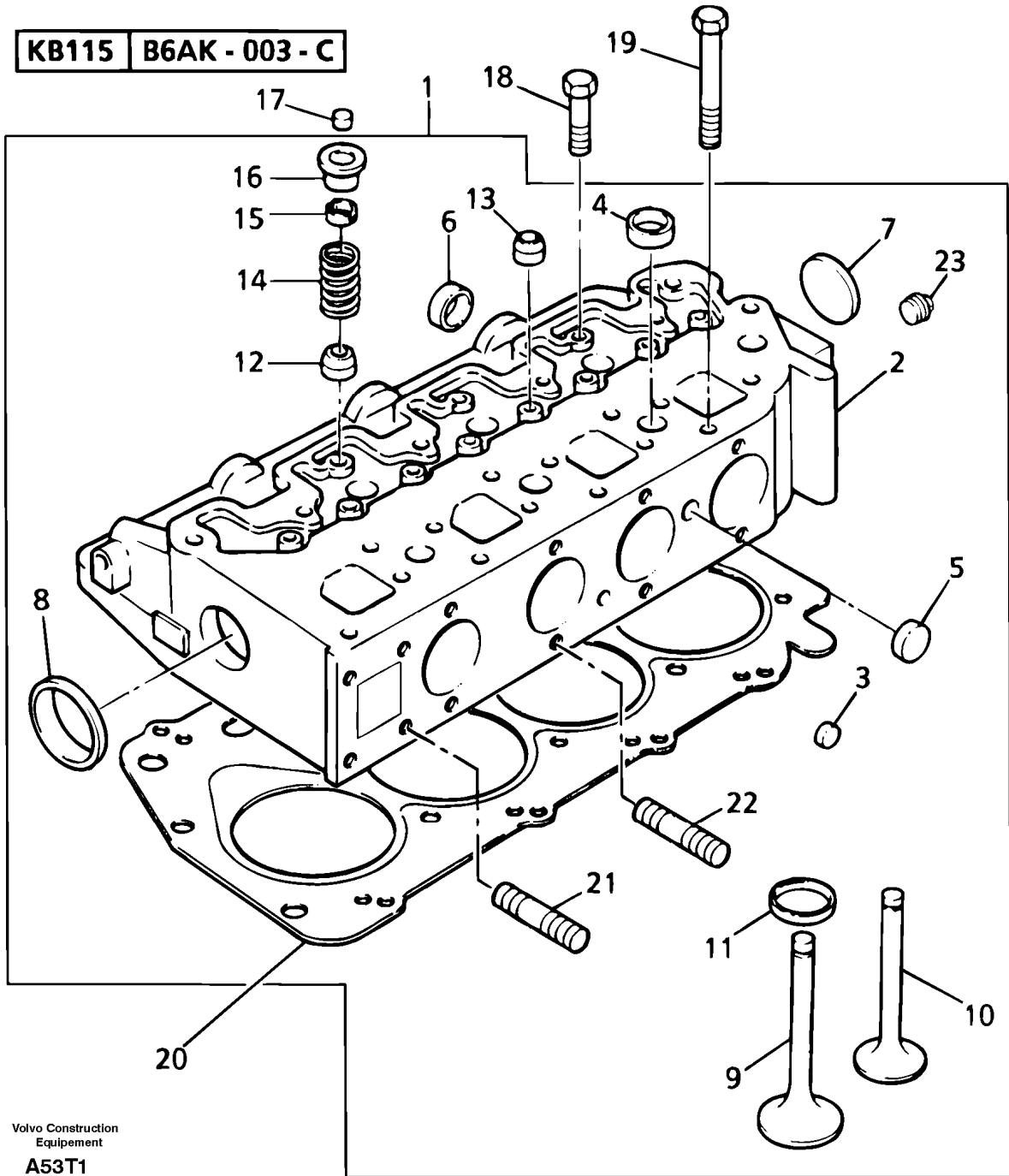
Date: 2013/12/17	Image id: A80T1	Catalogue: 10012	Model: EW50 VV
Brand: Volvo	Serial: 10151-99999	Group/Section: 210/500	Title: Engine lifting



Q1-Q5	Option	Option description	
Q1 256.10151			

Pos	Part	Q1	Q2	Q3	Q4	Q5	PS	Kit	Description	Option(s)	Remark
1	PJ195816540	1							Plate		(PJ195816370)
2	PJ011510816	1							Screw		
3	PJ195816540	1							Plate		(PJ195816370)
4	PJ011510816	1							Screw		

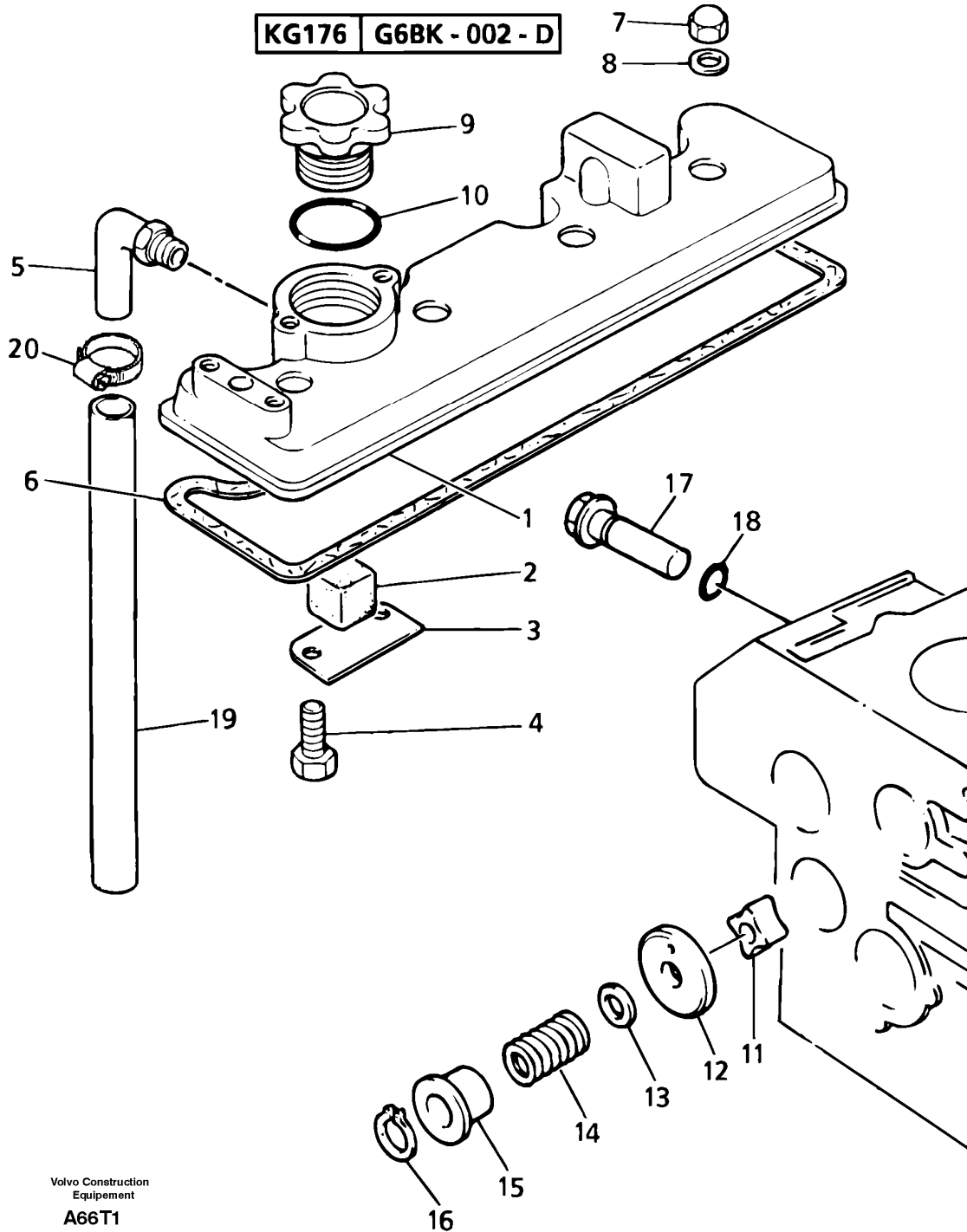
Date: 2013/12/17	Image id: A53T1	Catalogue: 10012	Model: EW50 VV
Brand: Volvo	Serial: 10151-99999	Group/Section: 211/100	Title: Cylinder head



Q1-Q5	Option	Option description	
Q1	256.10151		

Pos	Part	Q1	Q2	Q3	Q4	Q5	PS	Kit	Description	Option(s)	Remark
1	PJ111017420	1							Cyl Head Kit		
2		1							•Cylinder head		ORDER ITEM NO 1
3	PJ064200010	3					OP		•Plug		
4	PJ064200018	7							•Plug		
5	PJ064200025	3							•Plug		
6	PJ064200025	3							•Plug		
7	PJ064200030	1							•Plug		
8	PJ064200030	1							•Plug		
9	PJ120166350	4							•Valve		
10	PJ120176360	4							•Valve		
11	PJ110136390	4					NS		•Socket		
12	PJ120406070	4							•Seal		
13	PJ120406050	4							•Seal		
14	PJ198216700	8							•Spring		
15	PJ120226070	16							•Cone		
16	PJ120186080	8							•Cap		
17	PJ120216040	8							Cap		
18	PJ111136370	4					OP		Screw		
19	PJ111136360	14					OP		Screw		
20	PJ111147460	1					SS		Cyl Head Gasket		

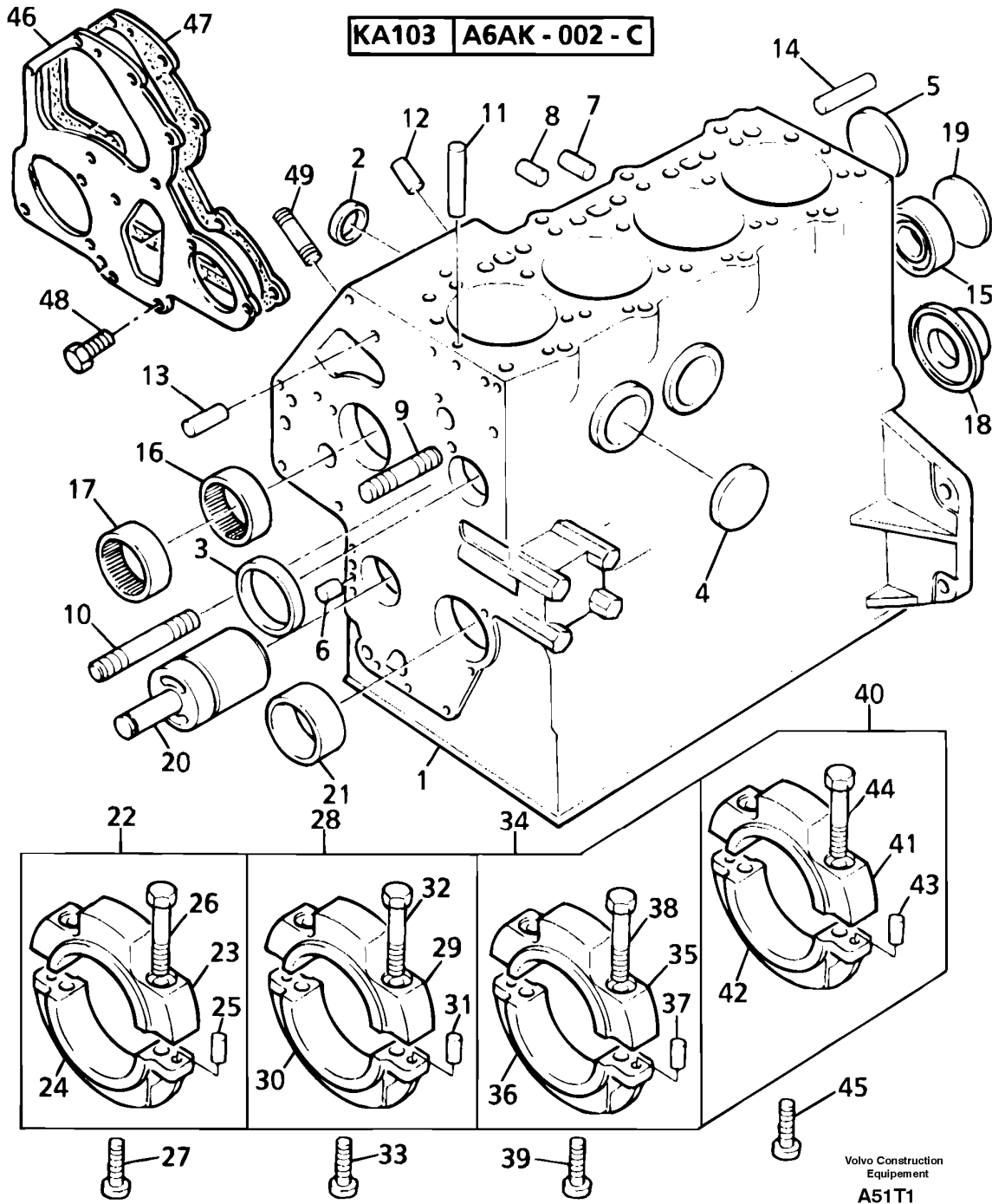
Date: 2013/12/17	Image id: A66T1	Catalogue: 10012	Model: EW50 VV
Brand: Volvo	Serial: 10151-99999	Group/Section: 211/300	Title: Lubrication oil filler and breather



Q1-Q5	Option	Option description	
Q1	256.10151		

Pos	Part	Q1	Q2	Q3	Q4	Q5	PS	Kit	Description	Option(s)	Remark
1	PJ111026150	1							Cover		
2	PJ110666090	1							•Gauze		
3	PJ110666050	1					OP		•Plate		
4	PJ011300612	2					OP		•Bolt		
5	PJ140986581	1					OP		•Pipe		
6	PJ052109072	1							Gasket		
7	PJ024600010	4							Nut		
8	PJ131996200	4							Seal		
9	PJ198436010	1					SS		Plug		
10	PJ052100400	1							Seal		
11	PJ140166140	1					OP		Rotor		
12	PJ140116140	1					OP		Cover		
13	PJ199286150	REQ					OP		Shim		THICK = 0,10mm/0,0039in
13	PJ199286160	REQ					OP		Shim		THICK = 0,15mm/0,0059in
13	PJ199286170	REQ					OP		Shim		THICK = 0,20mm/0,0079in
13	PJ199286180	REQ					OP		Shim		THICK = 0,50mm/0,0197in
14	PJ198216720	1					OP		Spring		
15	PJ199236540	1					OP		Cup		
16	PJ036800010	1					OP		Snap Ring		
17	PJ140036220	1							Pressure switch		
18	VOE11712577	1							O-ring		(PJ052109078)
19	PJ068109036	1							Hose		

Date: 2013/12/17	Image id: A51T1	Catalogue: 10012	Model: EW50 VV
Brand: Volvo	Serial: 10151-99999	Group/Section: 212/100	Title: Cylinder block

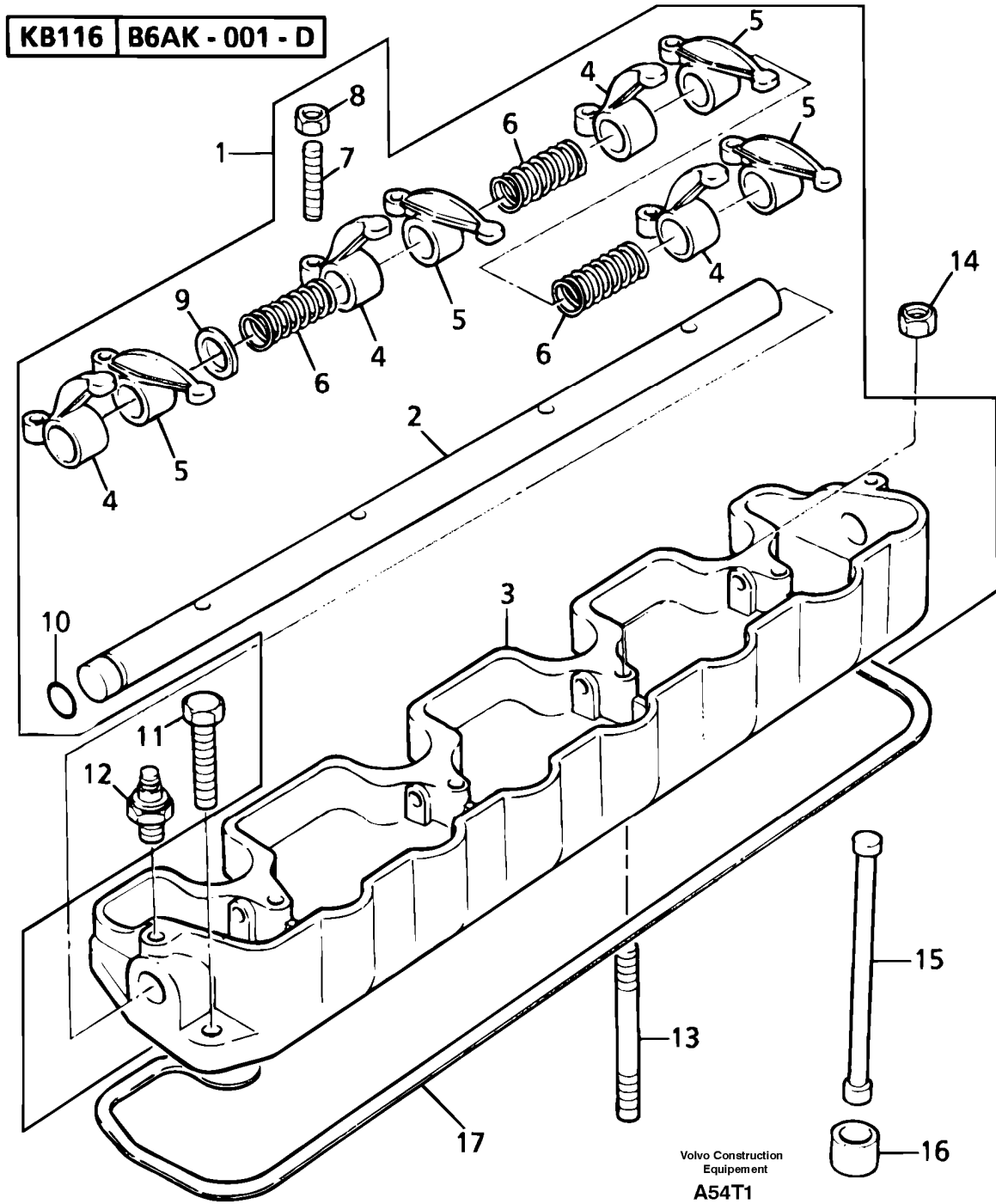


Q1-Q5	Option	Option description	
Q1	256.10151		

Pos	Part	Q1	Q2	Q3	Q4	Q5	PS	Kit	Description	Option(s)	Remark
1	PJ110103120	1					NS		Cylinder block kit		
2	PJ064200025	2							•Plug		
3	PJ064200040	1							•Plug		
4	PJ064200040	3							•Plug		
5	PJ064200040	1							•Plug		
6	PJ198466010	3					OP		•Plug		
7	PJ198466020	4					OP		•Plug		
8	PJ198466030	4					OP		•Plug		
9	PJ012100635	1					OP		Stud		
10	PJ012100660	1					OP		Stud		
11	PJ030309005	2					OP		Pin		
12	PJ030500612	2					OP		Pin		
13	PJ030500616	2					OP		Pin		
14	PJ030501025	2					OP		Pin		
15	PJ040106203	1					OP		Ball Bearing		
16	PJ042309017	1					NS		Needle bearing		
17	PJ042309018	1					NS		Needle bearing		
18	PJ050209083	1							Seal		
19	PJ064100045	1							Plug		
20	VOE11714016	1							Shaft		(PJ165296131)
21	PJ198517220	1					OP		Bushing		THICK = STD
21	PJ198517224	1					OP		Bushing		THICK = 0,25 mm
21	PJ198517227	1					OP		Bushing		THICK = 0,50 mm
22	PJ110156360	1					NS		Bearing Kit		
23		1							•Bearing		ORDER ITEM NO 22
24		1							•Bearing		ORDER ITEM NO 22
25	PJ030500612	2					OP		•Pin		
26	PJ010109406	2					NS		•Screw		
27	PJ011311075	1					NS		Screw		
28	PJ110156370	1					NS		Bearing Kit		
29		1							•Bearing		ORDER ITEM NO 28
30		1							•Bearing		ORDER ITEM NO 28
31	PJ030500612	2					OP		•Pin		
32	PJ010109406	2					NS		•Screw		
33	PJ011311075	1					NS		Screw		
34	PJ110156380	1					NS		Bearing Kit		
35		1							•Bearing		ORDER ITEM NO 34
36		1							•Bearing		ORDER ITEM NO 34
37	PJ030500612	2					OP		•Pin		
38	PJ010109406	2					NS		•Screw		
39	PJ011311075	1					NS		Screw		
40	PJ110156390	1							Bearing Kit		
41		1							•Bearing		ORDER ITEM NO 40
42		1							•Bearing		ORDER ITEM NO 40
43	PJ030500612	2					OP		•Pin		
44	PJ010109406	2					NS		•Screw		

45	PJ010700865	2					OP		Screw		
46	PJ165166221	1					OP		Plate		
47	PJ165996540	1							Seal		
48	PJ011300612	2					OP		Bolt		
49	PJ010109441	3					NS		Stud		

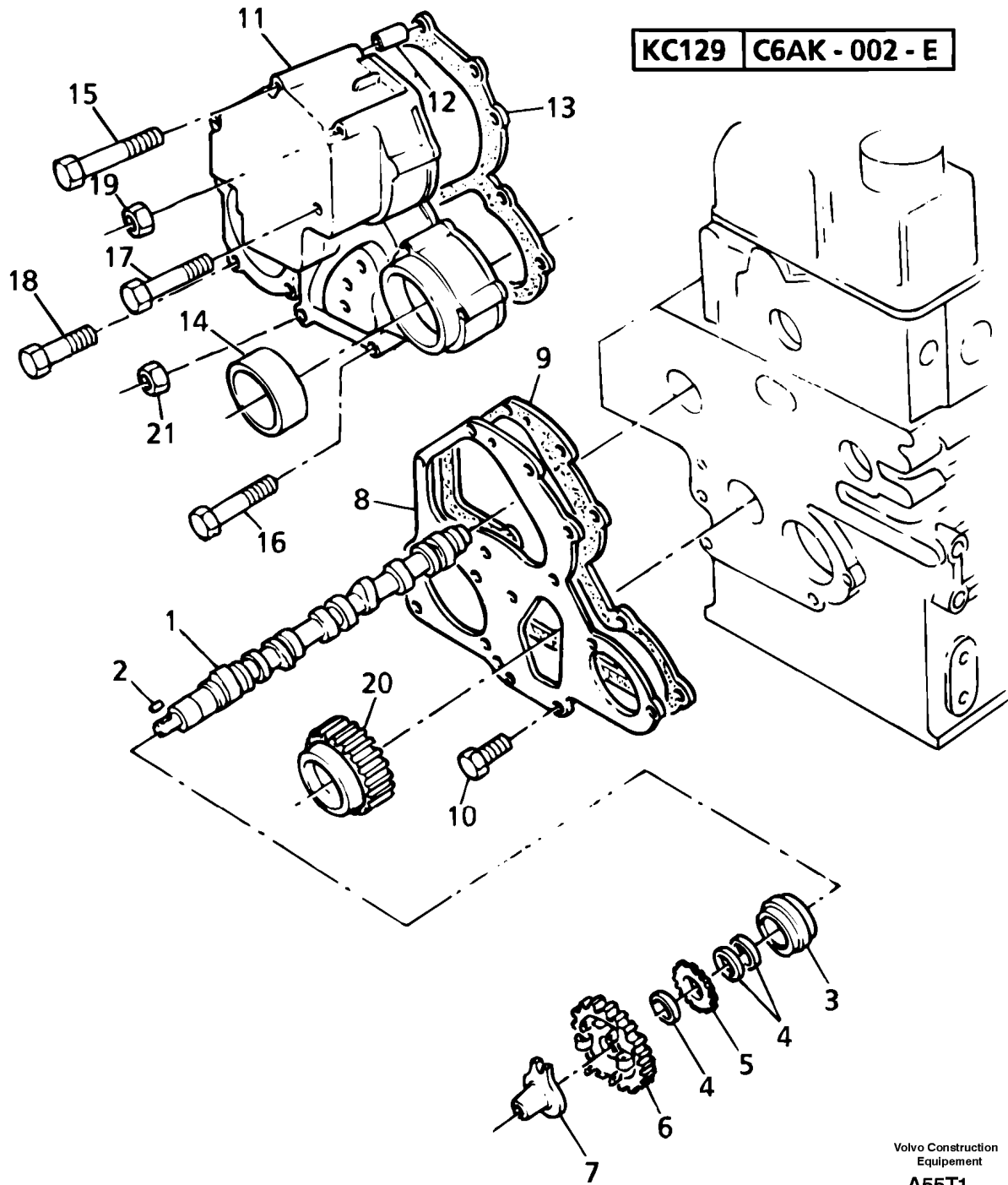
Date: 2013/12/17	Image id: A54T1	Catalogue: 10012	Model: EW50 VV
Brand: Volvo	Serial: 10151-99999	Group/Section: 214/100	Title: Rocker arm shaft



Q1-Q5	Option	Option description	
Q1	256.10151		

Pos	Part	Q1	Q2	Q3	Q4	Q5	PS	Kit	Description	Option(s)	Remark
1	PJ120036393	1					NS		Rocker shaft		
2	PJ120316200	1					NS		•Rocker Arm Shaft		
3	PJ120346341	1							•Support		(PJ120346262)
4	PJ120356131	4							•Rocker Arm		
5	PJ120356141	4					NS		•Rocker Arm		
6	PJ198217170	3					NS		•Spring		
7	PJ199486220	8							•Screw with pin		
8	PJ020109076	8							•Nut		
9	PJ199280300	6					NS		•Washer		
10	PJ052109076	1							•O-ring		
11	PJ011300650	1					NS		Screw		
12	PJ185246060	1							Pressure Switch		
13	PJ012109044	4					NS		Stud		
14	PJ023109002	4					OP		Nut		
15	PJ120456310	8							Rod		
16	PJ120116160	8					NS		Tappet		
17	PJ052109074	1							Gasket		

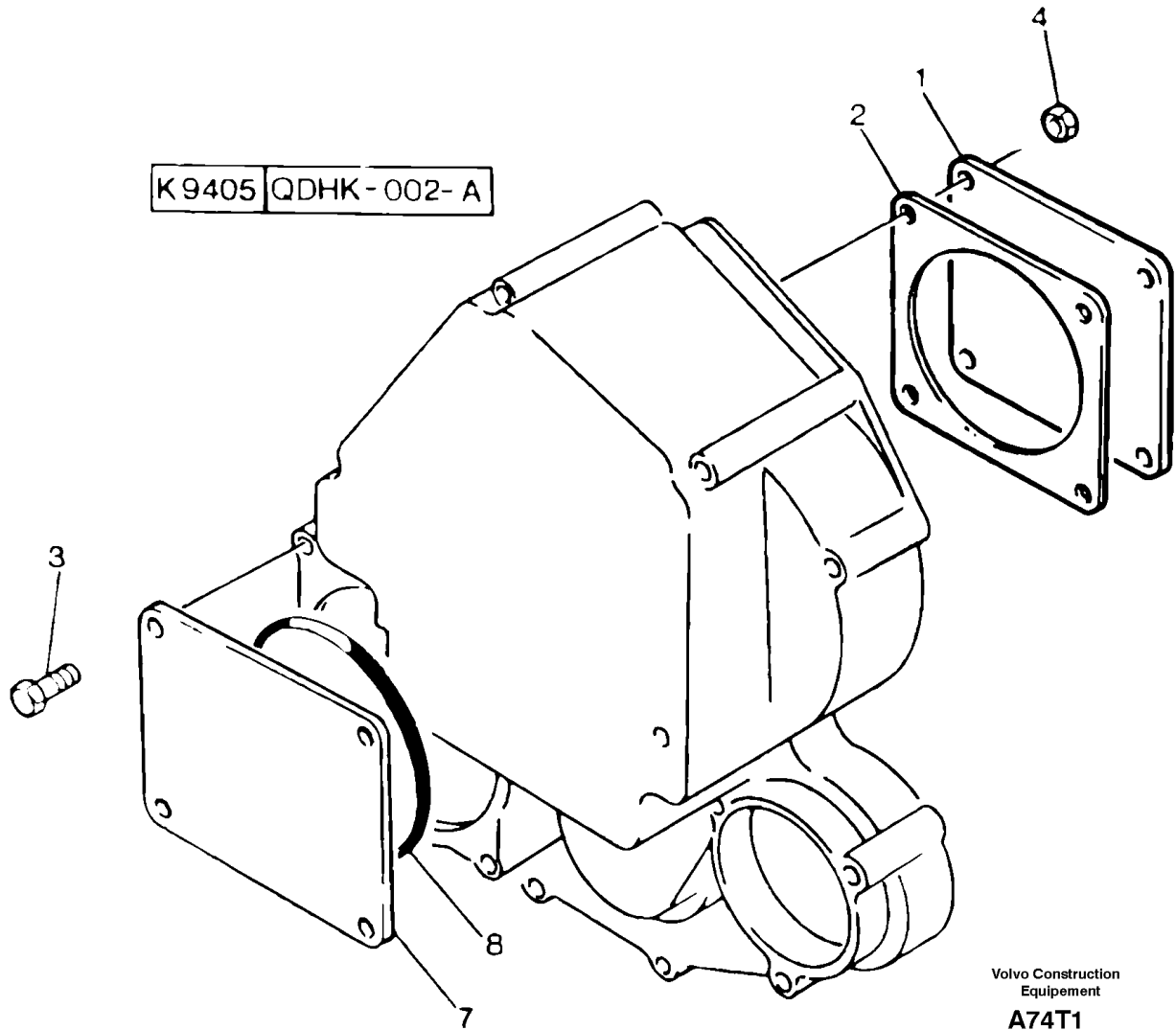
Date: 2013/12/17	Image id: A55T1	Catalogue: 10012	Model: EW50 VV
Brand: Volvo	Serial: 10151-99999	Group/Section: 215/100	Title: Timing gear and camshaft



Q1-Q5	Option	Option description	
Q1	256.10151		

Pos	Part	Q1	Q2	Q3	Q4	Q5	PS	Kit	Description	Option(s)	Remark
1	PJ120026320	1							Camshaft		
2	PJ034100508	1							•Key		
3	PJ040109057	1					NS		•Bearing Bushing		
4	PJ199216230	3					OP		•Spacer		
5	PJ120736081	1					OP		•Pinion		
6	PJ120016050	1					OP		•Pinion		
7	PJ125256120	1					OP		Tappet		
8		1							Plate		See ref 212/100
9		1							Seal		See ref 212/100
10		2							Screw		See ref 212/100
11	PJ165106350	1							Oil Pan		(PJ165116325)
12	PJ030300414	1							Pin		
13	PJ165996550	1					SS		Seal		
14	PJ198636160	1							Seal		
15	PJ011300645	6					OP		Screw		
16	PJ011300680	2					OP		Screw		
17	PJ011300660	3					OP		Screw		
18	PJ011310612	2					OP		Screw		
19	PJ023100006	1							Nut		
20		1							Pinion		See ref 221/100

Date: 2013/12/17	Image id: A74T1	Catalogue: 10012	Model: EW50 VV
Brand: Volvo	Serial: 10151-99999	Group/Section: 215/300	Title: Ancillary attachment gear drive

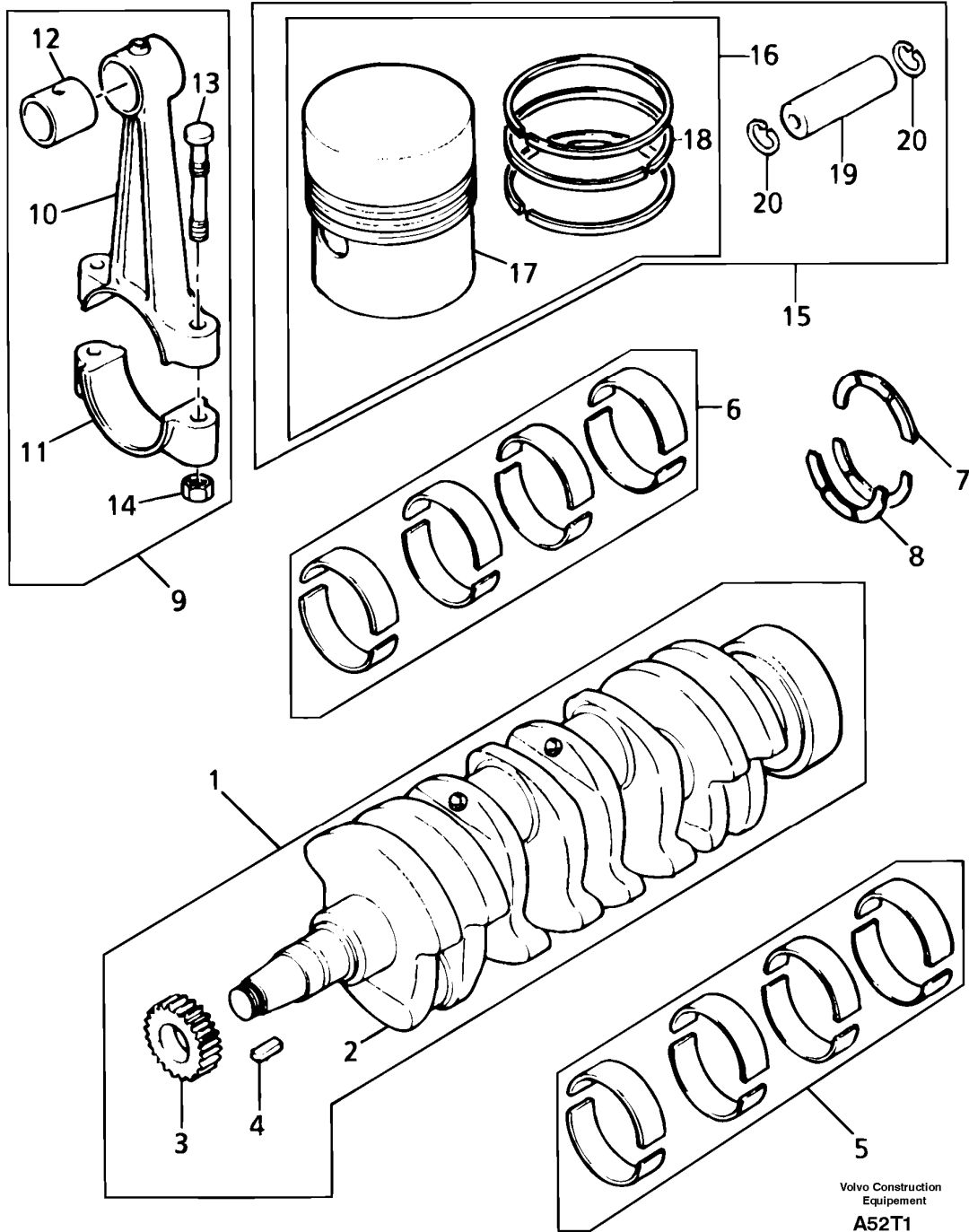


Q1-Q5	Option	Option description	
Q1	256.10151		

Pos	Part	Q1	Q2	Q3	Q4	Q5	PS	Kit	Description	Option(s)	Remark
1	PJ165206010	1					OP		Plate		
2	PJ165996110	1							Seal		
3	PJ011500865	4					NS		Screw		
4	PJ023100008	4							Nut		
7	PJ165206010	1					OP		Plate		
8	PJ052300600	1							O-ring		

Date: 2013/12/17	Image id: A52T1	Catalogue: 10012	Model: EW50 VV
Brand: Volvo	Serial: 10151-99999	Group/Section: 216/100	Title: Crankshaft , pistons and connecting rods

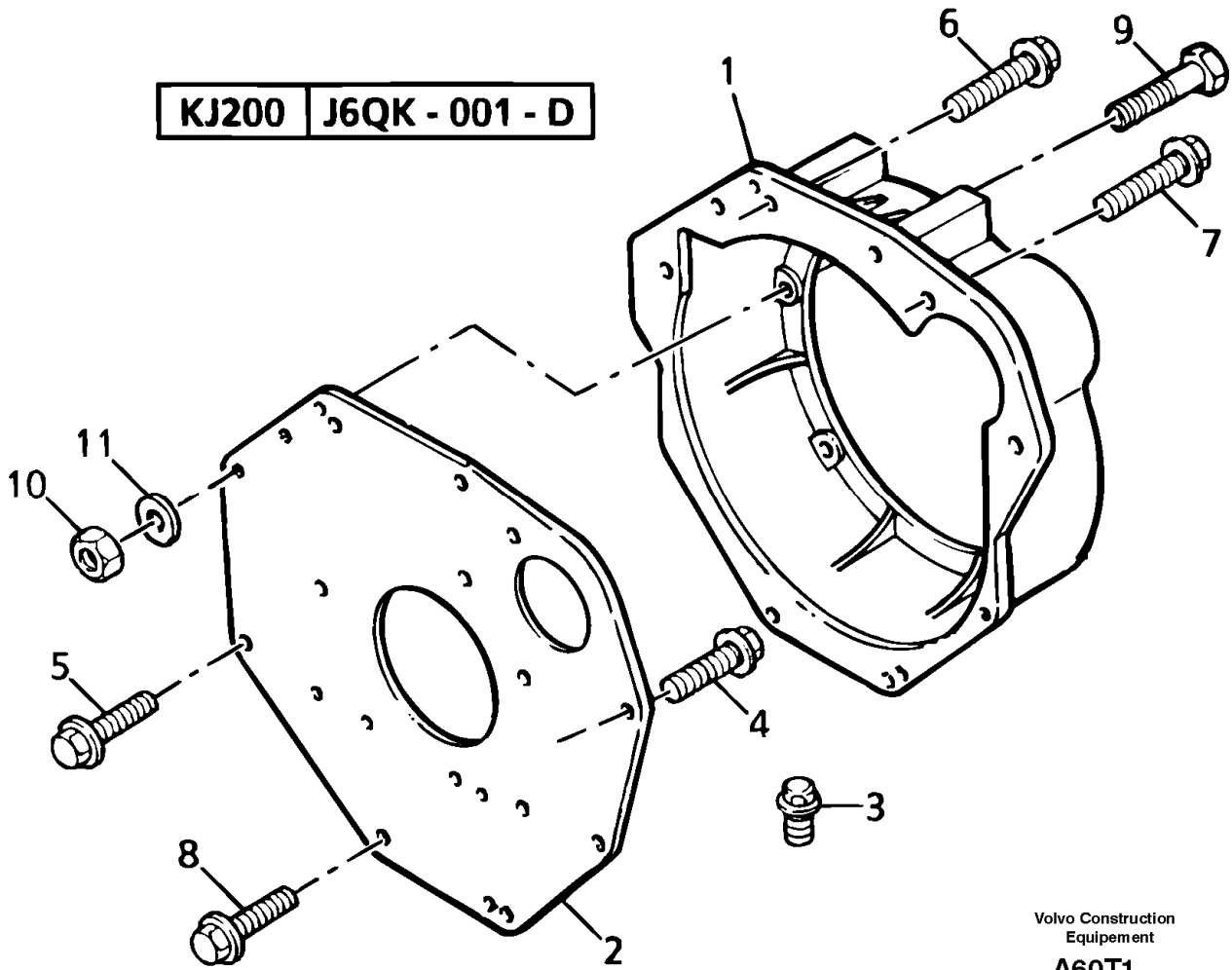
KA104 A6AK - 001 - D



Q1-Q5	Option	Option description	
Q1 256.10151			

Pos	Part	Q1	Q2	Q3	Q4	Q5	PS	Kit	Description	Option(s)	Remark
1	VOE11714122	1							Crankshaft		(PJ115256750)
2		1							•Crankshaft		ORDER ITEM NO 1
3	PJ115276200	1							•Pinion		
4	PJ030509020	1							•Key		
5	PJ198586140	1							Bearings (kit)		STD
5	PJ198586150	REQ					NS		Bearings (kit)		0,25 mm
5	PJ198586160	REQ					NS		Bearings (kit)		0,50 mm
6	VOE11714125	4							Bearing kit		(PJ198586170)STD
6	PJ198586180	REQ							Bearing		0,25 mm
6	PJ198586190	REQ					NS		Bearings (kit)		0,50 mm
7	PJ199266210	1							Thrust Washer		
8	PJ199266200	2					OP		Thrust Washer		
9	PJ115026330	4					NS		Piston rod		
10		1							•Piston rod		ORDER ITEM NO 9
11		1							•Bearing		ORDER ITEM NO 9
12	PJ198517265	4							•Bushing		
13	PJ115176140	2							•Screw		
14	PJ020109120	2							•Nut		
15		4							Piston kit		ORDER 16.....20
16	VOE11715802	1							Piston		(PJ115017310)STD
16	VOE11712741	1							Piston		(PJ115017320)0,5 mm
16	PJ115016727	1					OP		Piston Kit		1,0 mm
17		1							•Piston		ORDER ITEM NO 16
18	VOE15029666	4							•Piston ring kit		(PJ115107290)STD
18	PJ115107293	REQ							Piston rings (kit)		0,5 mm
18	PJ115107295	REQ							Piston rings (kit)		1,0 mm
19	PJ115326220	4					OP		Stub Axle		
20	PJ036500028	8					OP		Snap Ring		

Date: 2013/12/17	Image id: A60T1	Catalogue: 10012	Model: EW50 VV
Brand: Volvo	Serial: 10151-99999	Group/Section: 216/300	Title: Flywheel housing



Volvo Construction
Equipment
A60T1

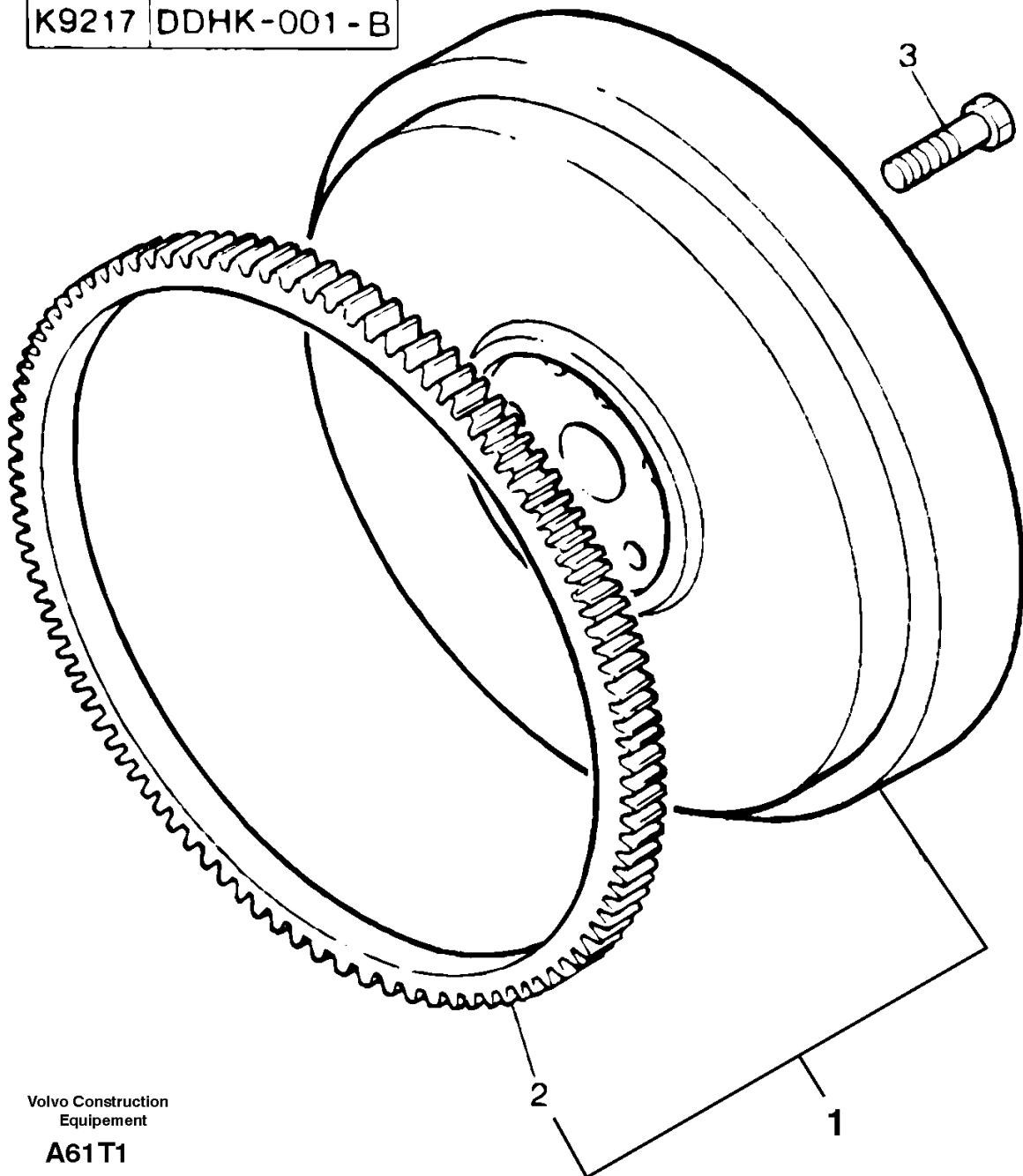
Q1-Q5	Option	Option description	
Q1 256.10151			

Pos	Part	Q1	Q2	Q3	Q4	Q5	PS	Kit	Description	Option(s)	Remark
1	PJ110446971	1					NS		Flywheel housing		
2	PJ110367570	1					NS		Plate		
3	PJ398460091	1					NS		Plug		
4	PJ011500816	10					SS		Screw		
5	PJ011501020	1					NS		Screw		
6	PJ011501020	2					NS		Screw		
7	PJ011511235	2					NS		Bolt		
8	PJ011501050	6					NS		Screw		

9	PJ010301030	4					NS		Screw		
10	PJ020100010	4					OP		Nut		
11	PJ027100010	4					OP		Washer		

Date: 2013/12/17	Image id: A61T1	Catalogue: 10012	Model: EW50 VV
Brand: Volvo	Serial: 10151-99999	Group/Section: 216/500	Title: Flywheel and ring gear

K9217 DDHK-001 - B

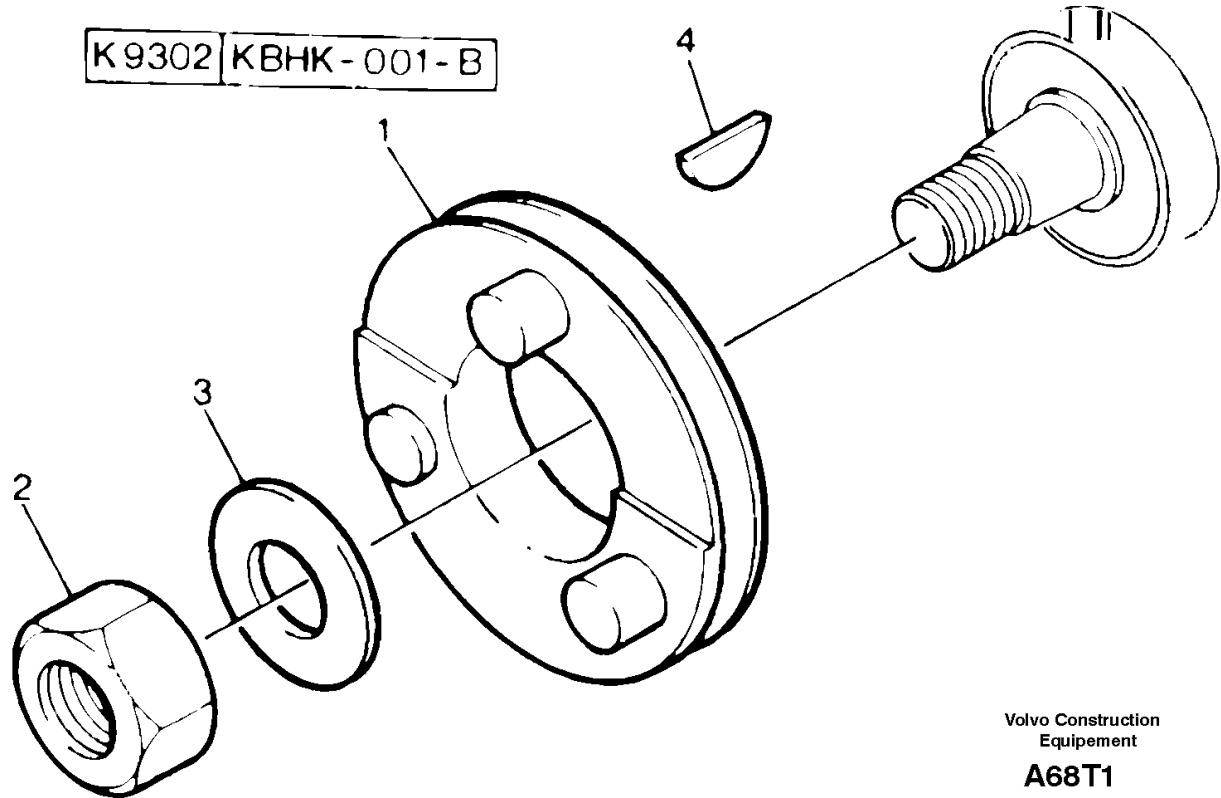


Volvo Construction
Equipment
A61T1

Q1-Q5	Option	Option description	
Q1	256.10151		

Pos	Part	Q1	Q2	Q3	Q4	Q5	PS	Kit	Description	Option(s)	Remark
1	PJ115357460	1							Flywheel		
2	PJ115376160	1							•Tooth Wheel		
3	PJ010109341	6							Bolt		

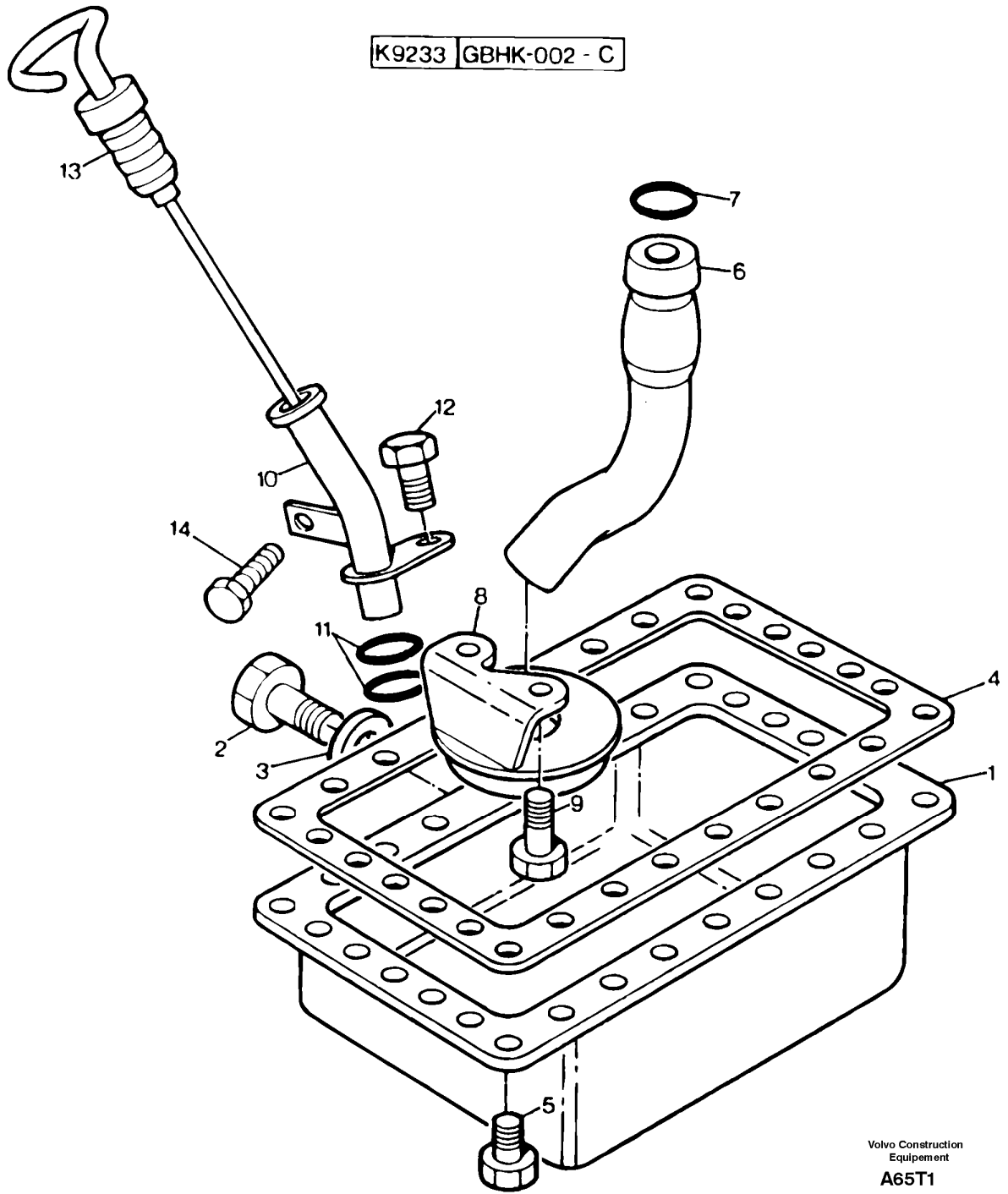
Date: 2013/12/17	Image id: A68T1	Catalogue: 10012	Model: EW50 VV
Brand: Volvo	Serial: 10151-99999	Group/Section: 216/600	Title: Front end drive input



Q1-Q5	Option	Option description	
Q1 256.10151			

Pos	Part	Q1	Q2	Q3	Q4	Q5	PS	Kit	Description	Option(s)	Remark
1	PJ115396860	1							Pulley		
2	PJ020109086	1							Nut		
3	PJ026100024	1							Washer		
4	PJ034100508	1							Key		

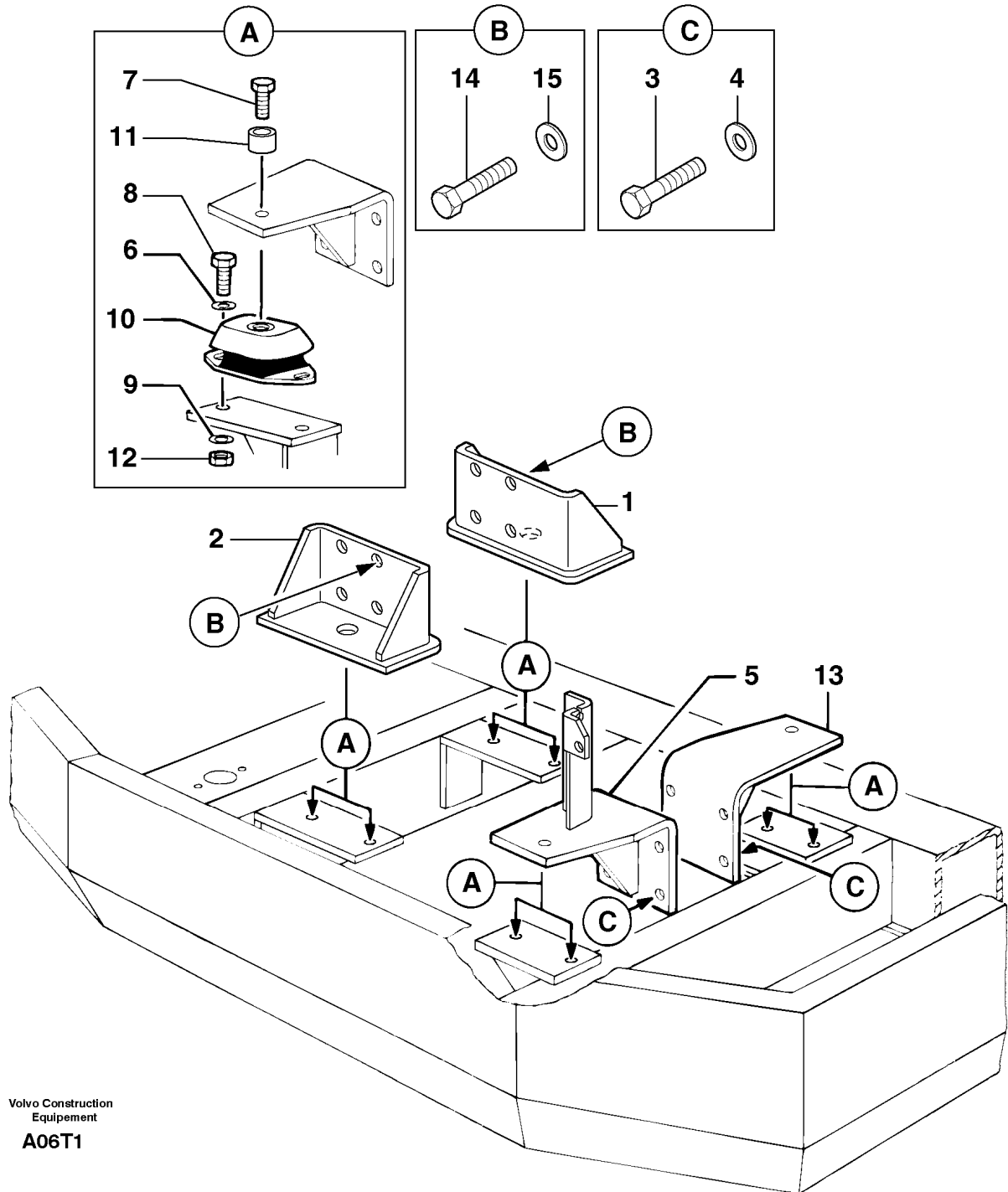
Date: 2013/12/17	Image id: A65T1	Catalogue: 10012	Model: EW50 VV
Brand: Volvo	Serial: 10151-99999	Group/Section: 217/100	Title: Lubrication oil sump



Q1-Q5	Option	Option description	
Q1	256.10151		

Pos	Part	Q1	Q2	Q3	Q4	Q5	PS	Kit	Description	Option(s)	Remark
1	PJ110707711	1							Oil sump		
2		2							Plug		See ref 210/100
3		2							Bush		See ref 210/100
4	PJ110996860	1							Seal		
5	PJ010109235	30					OP		Screw		
6	PJ140986630	1					NS		Pipe		
7	PJ052109076	1							O-ring		
8	VOE11714124	1							Strainer		(PJ140406360)
9	PJ011310612	2					OP		Screw		
10	PJ110756070	1							Giude		
11	PJ052100100	2							O-ring		
12	PJ011300612	1					OP		Bolt		
13	PJ198416320	1					SS		Oil Dipstick		

Date: 2013/12/17	Image id: A06T1	Catalogue: 10012	Model: EW50 VV
Brand: Volvo	Serial: 10151-99999	Group/Section: 218/100	Title: Engine mounts

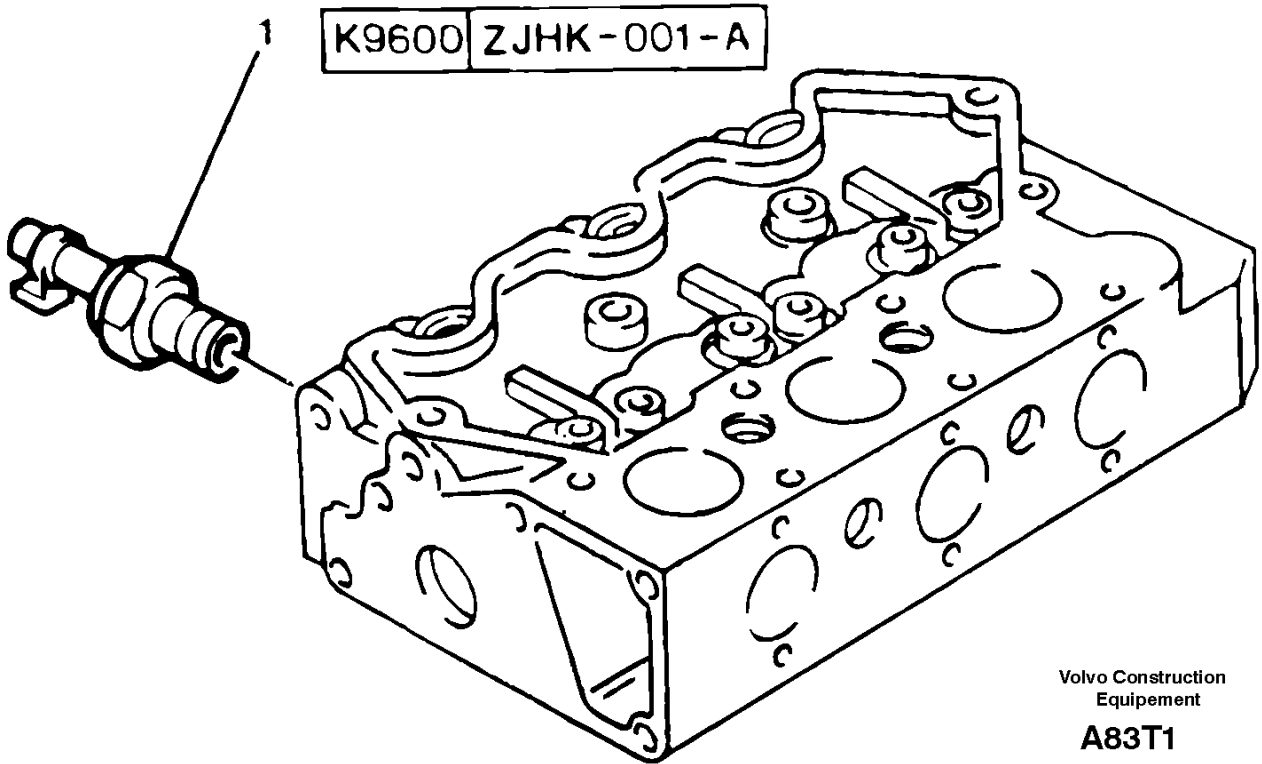


Volvo Construction
Equipment
A06T1

Q1-Q5	Option	Option description	
Q1	256.10151		

Pos	Part	Q1	Q2	Q3	Q4	Q5	PS	Kit	Description	Option(s)	Remark
1	PJ3811543	1							Engine Bracket		LH
2	PJ3811608	1							Engine Bracket		LH
3	PJ4370035	8							Screw		HM14X30
4	PJ4490007	8							Washer		M14
5	PJ3811578	1							Engine Bracket		RH
6	PJ4460043	8							Washer		LL12U
7	PJ4380089	4							Screw		HM16X55
8	PJ4380068	8							Screw		HM12X30
9	VOE11804249	8							Washer		(PJ4490002)M12
10	VOE14211252	4							Rubber damper		(PJ5140075)
11	PJ3850017	4							Spacer		
12	PJ4410022	8					SS		Nut		HM12
13	PJ3811571	1							Engine Bracket		RH
14	PJ4380223	8							Screw		H3/8-16UNCX1"
15	VOE11807554	8							Washer		(PJ4490003)M10

Date: 2013/12/17	Image id: A83T1	Catalogue: 10012	Model: EW50 VV
Brand: Volvo	Serial: 10151-99999	Group/Section: 220/100	Title: Lubrication oil pressure switch and gauge

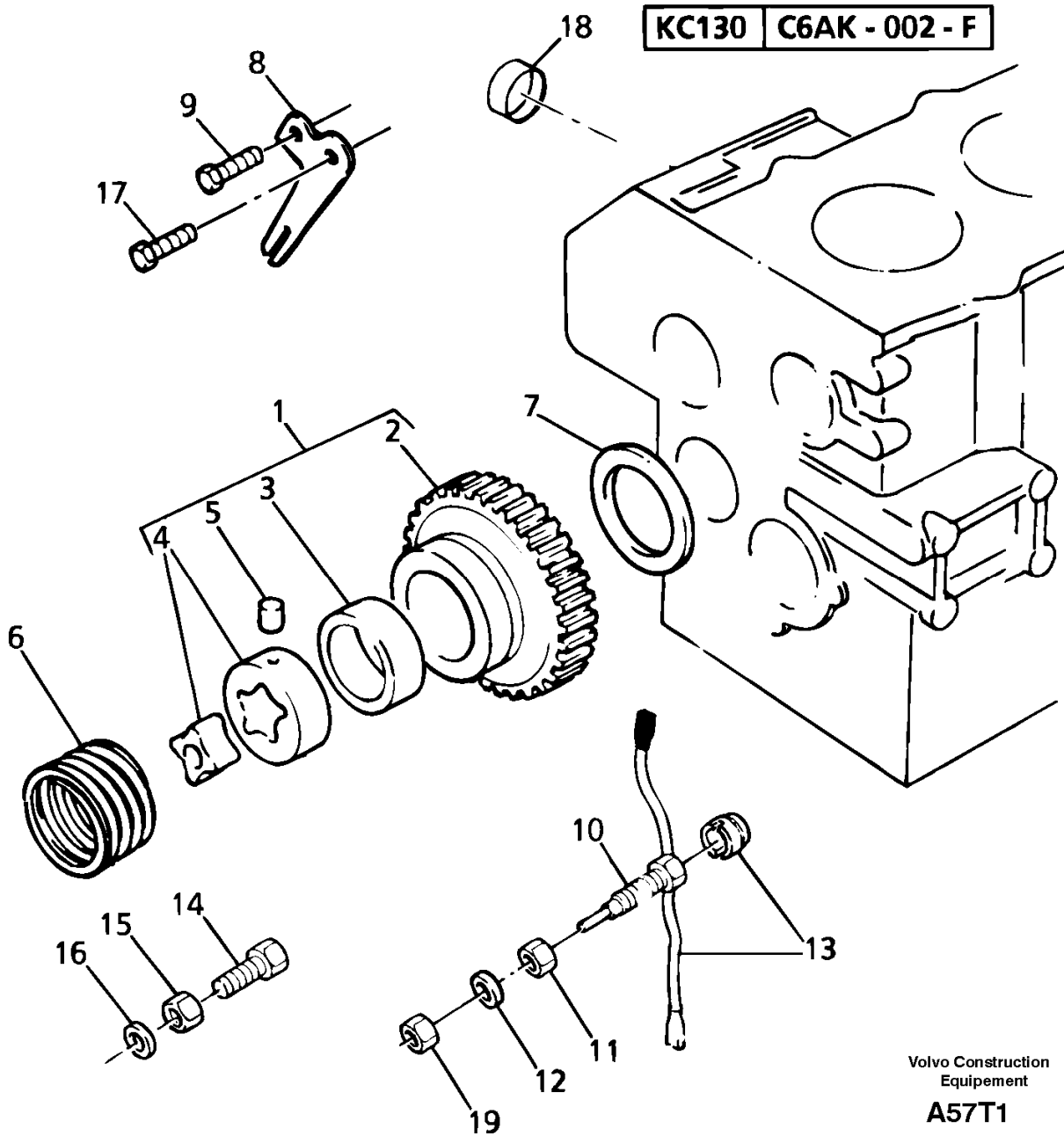


Volvo Construction
Equipment
A83T1

Q1-Q5	Option	Option description	
Q1 256.10151			

Pos	Part	Q1	Q2	Q3	Q4	Q5	PS	Kit	Description	Option(s)	Remark
1	PJ185246060	1							Pressure Switch		

Date: 2013/12/17	Image id: A57T1	Catalogue: 10012	Model: EW50 VV
Brand: Volvo	Serial: 10151-99999	Group/Section: 221/100	Title: Lubrication oil pump and discharge valve



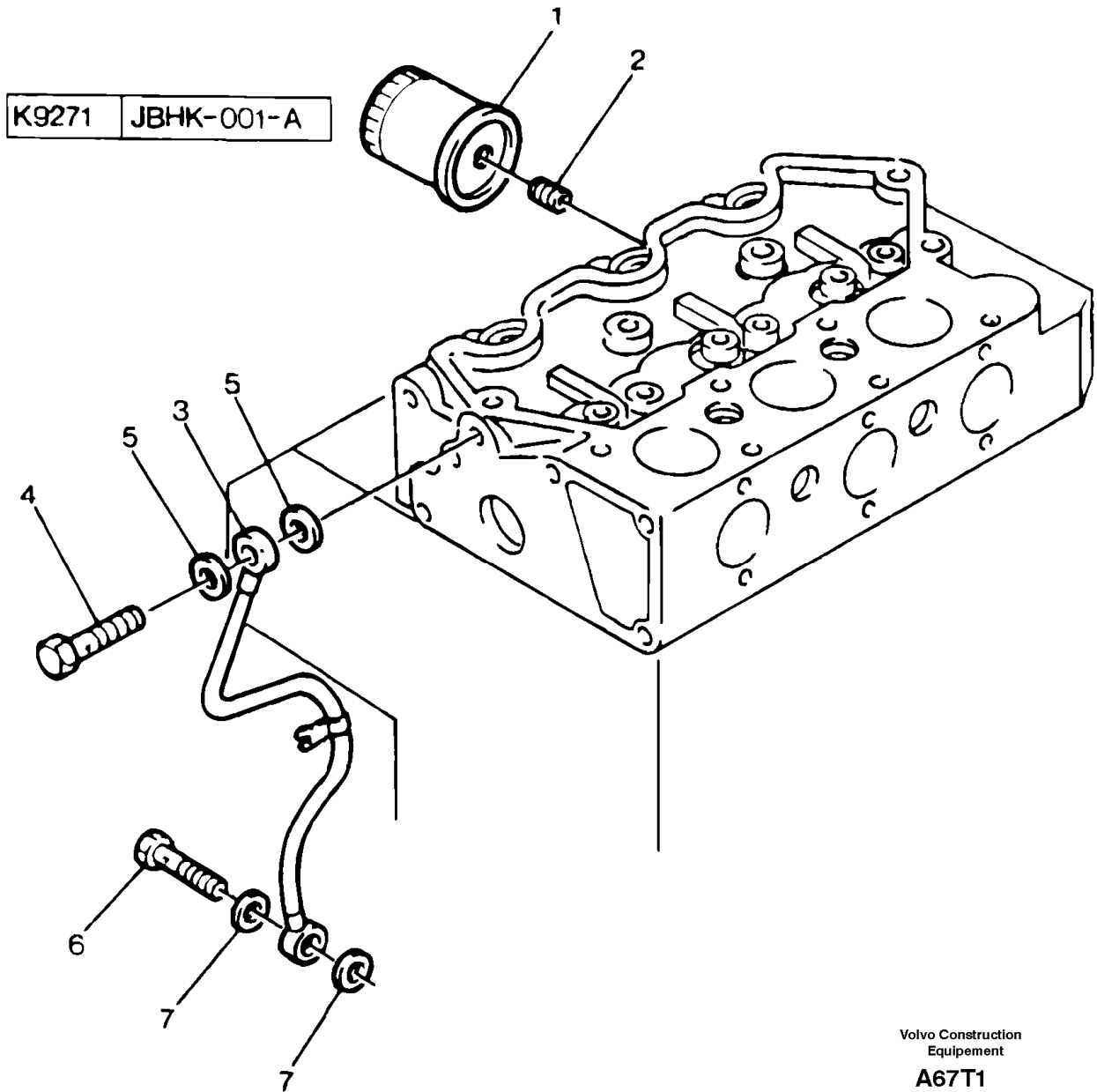
Volvo Construction
Equipment
A57T1

Q1-Q5	Option	Option description	
Q1	256.10151		

Pos	Part	Q1	Q2	Q3	Q4	Q5	PS	Kit	Description	Option(s)	Remark
-----	------	----	----	----	----	----	----	-----	-------------	-----------	--------

1	PJ165026120	1							Pinion		
2		1							•Pinion		ORDER ITEM NO 1
3	PJ198517290	1					NS		•Bushing		
4		1							•Rotor		ORDER ITEM NO 1
5	PJ030509018	3					NS		•Pin		
6	PJ198216821	1					OP		Spring		
7	PJ199266180	1					OP		Washer		
8		1							Plate		See ref 275/100
9		2							Screw		See ref 275/100
10	PJ131046160	1							Screw		
11	PJ023109002	1					OP		Nut		
12	PJ025100010	1					OP		Washer		
13	PJ198236030	1					OP		Wire		
14	PJ010109271	1					NS		Screw		
15	PJ023109002	1					OP		Nut		
16	PJ025100010	1					OP		Washer		

Date: 2013/12/17	Image id: A67T1	Catalogue: 10012	Model: EW50 VV
Brand: Volvo	Serial: 10151-99999	Group/Section: 222/100	Title: Oil filter



Q1-Q5	Option	Option description	
Q1 256.10151			

Pos	Part	Q1	Q2	Q3	Q4	Q5	PS	Kit	Description	Option(s)	Remark
1		1							Oil filter		See ref 210/100
2	PJ140546020	1							Nipple		
3	PJ140607020	1					NS		Pipe		



Suggest:

For more complete manuals. Please go to the home page.

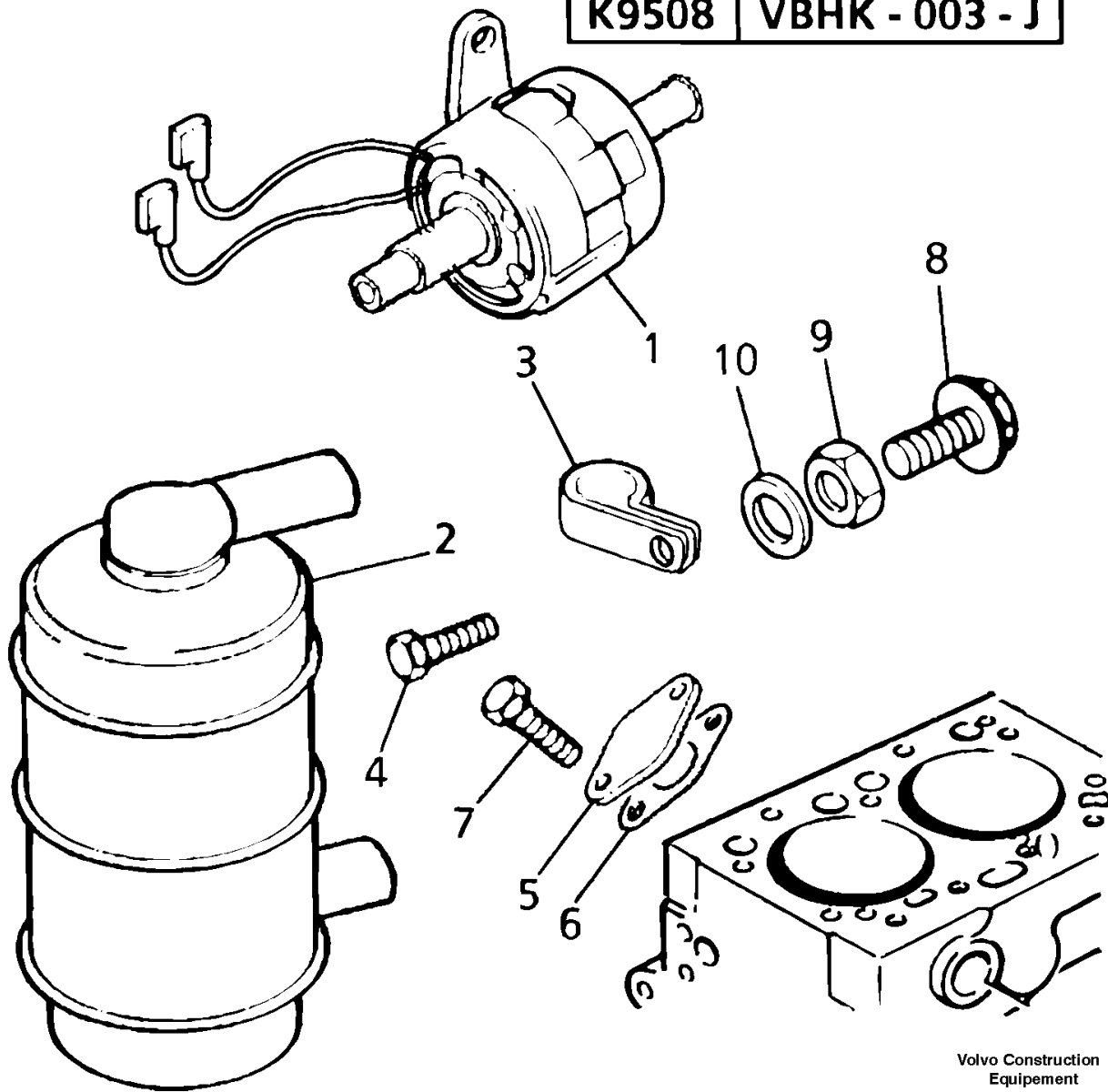
<https://www.ebooklibonline.com>

If the above button click is invalid. Please download this document first, and then click the above link to download the complete manual.

Thank you so much for reading

Date: 2013/12/17	Image id: A78T1	Catalogue: 10012	Model: EW50 VV
Brand: Volvo	Serial: 10151-99999	Group/Section: 233/100	Title: Low pressure fuel system

K9508 VBHK - 003 - J



Volvo Construction
Equipment
A78T1

Q1-Q5	Option	Option description	
Q1 256.10151			

Pos	Part	Q1	Q2	Q3	Q4	Q5	PS	Kit	Description	Option(s)	Remark
1	PJ5350058	1							Fuel pump		
2	PJ130306130	1					NS		Fuel filter		

<https://www.ebooklibonline.com>

Hello dear friend!

Thank you very much for reading.

Enter the link into your browser.

The full manual is available for immediate download.

<https://www.ebooklibonline.com>