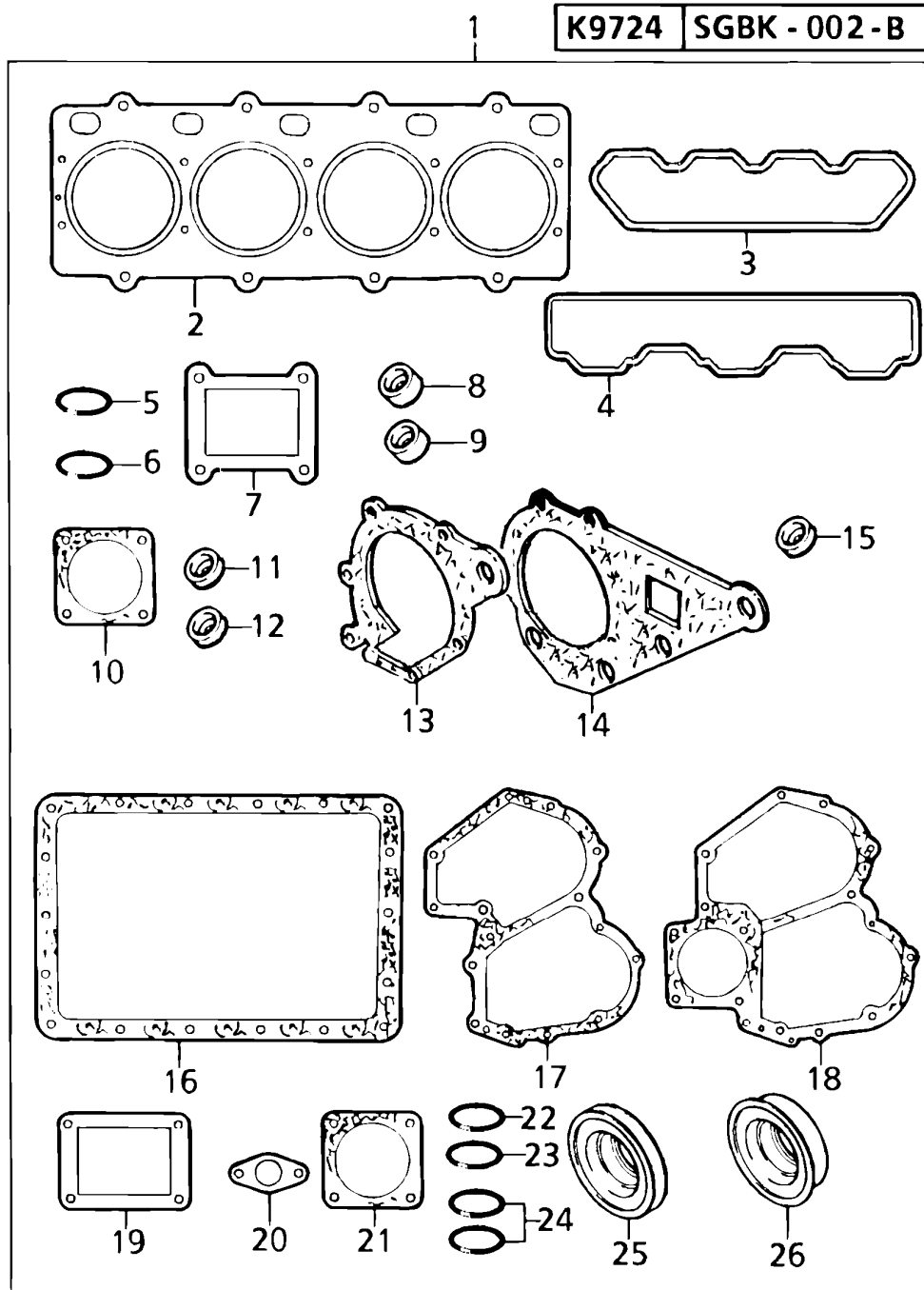


Date: 2013/12/11	Image id: A88S1	Catalogue: 10011	Model: EW50
Brand: Volvo	Serial: 10151-99999	Group/Section: 210/50	Title: Engine gasket kit



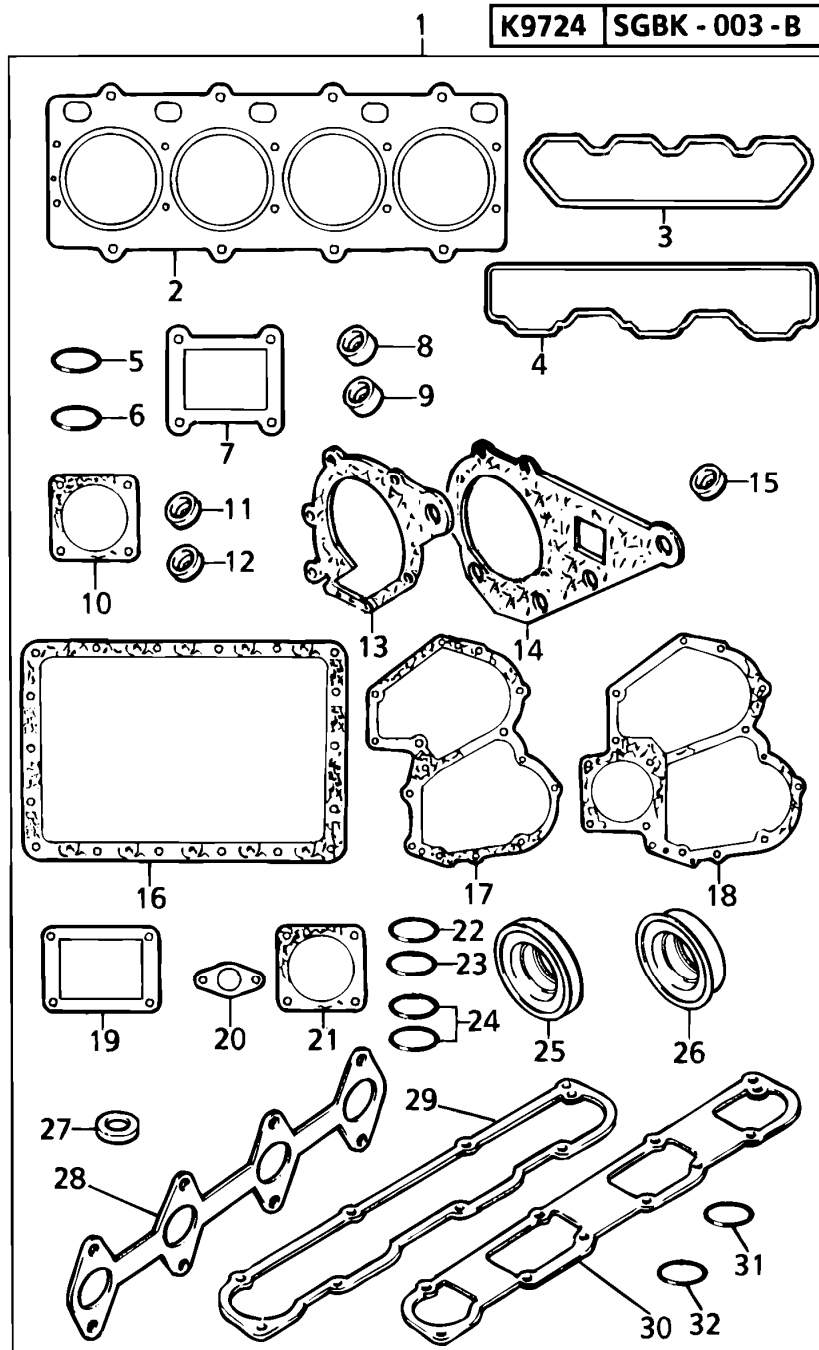
Volvo Construction
Equipment
A88S1

Q1-Q5	Option	Option description
-------	--------	--------------------

Q1 KR80667J			
----------------	--	--	--

Pos	Part	Q1	Q2	Q3	Q4	Q5	PS	Kit	Description	Option(s)	Remark
1	PJ195906950	1					SS		Sealing Kit		
2	PJ111147450	1					SS		•Cyl Head Gasket		
3	PJ052109072	1							•Gasket		
4	PJ135996780	1							•Seal		
5	PJ052109076	1							•O-ring		
6	PJ052100400	1							•Seal		
7	PJ145996360	1					SS		•Seal		
8	PJ120406050	4							•Seal		
9	PJ120406070	4							•Seal		
10	PJ314990013	1							•Seal		
11	PJ198996071	4					SS		•Washer		
13	PJ145996460	1					SS		•Seal		
14	PJ145996370	1							•Seal		
15	PJ131426200	4							•Seal		
16	PJ110996600	1					SS		•Seal		
17	PJ165996351	1					SS		•Seal		
18	PJ165996361	1					SS		•Seal		
20	PJ130996070	1							•Seal		
21	PJ165996110	1							•Seal		
22	PJ052300600	1							•O-ring		
24	PJ052100100	2							•O-ring		
25	PJ198636160	1							•Seal		
26	PJ050209083	1							•Seal		

Date: 2013/12/11	Image id: A88AS1	Catalogue: 10011	Model: EW50
Brand: Volvo	Serial: 10151-99999	Group/Section: 210/75	Title: Engine gasket kit



Volvo Construction
Equipment
A88AS1

Q1-Q5	Option	Option description	
Q1 KR80667U			

<https://www.ebooklibonline.com>

Hello dear friend!

Thank you very much for reading.

Enter the link into your browser.

The full manual is available for immediate download.

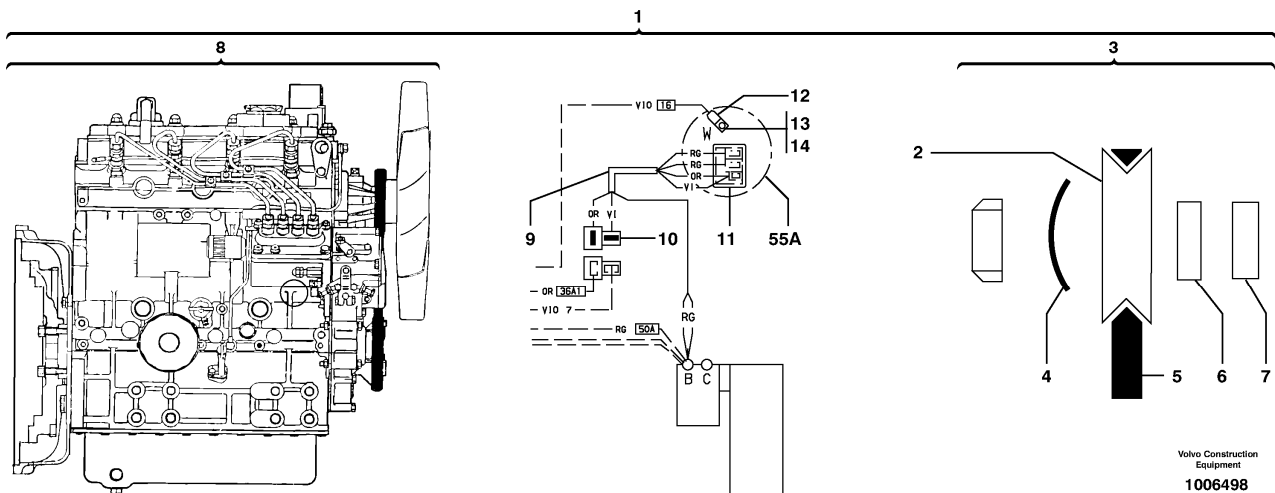
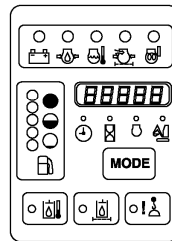
<https://www.ebooklibonline.com>

Pos	Part	Q1	Q2	Q3	Q4	Q5	PS	Kit	Description	Option(s)	Remark
1	PJ195907120	1							Sealing Kit		
2	PJ111147460	1					SS		•Cyl Head Gasket		
3	PJ052109072	1							•Gasket		
4	PJ052109074	1							•Gasket		
5	PJ052109076	1							•O-ring		
6	PJ052100400	1							•Seal		
7	PJ145996710	1					SS		•Seal		
8	PJ120406050	4							•Seal		
9	PJ120406070	4							•Seal		
10	PJ314990013	1							•Seal		
11	PJ140996270	4							•Washer		
12	PJ131426230	4							•Seal		
13	PJ145996051	1							•Seal		
14	PJ145996670	1					SS		•Seal		
15	PJ131426200	4							•Seal		
16	PJ110996860	1							•Seal		
17	PJ165996550	1					SS		•Seal		
18	PJ165996540	1							•Seal		
19	PJ131426320	1					NS		•Shim		
20	PJ130996130	1					NS		•Seal		
21	PJ165996110	1							•Seal		
22	PJ052300600	1							•O-ring		
24	PJ052100100	2							•O-ring		
25	PJ198636160	1							•Seal		
26	PJ050209083	1							•Seal		
27	PJ140996260	1							•Washer		
28	PJ135996780	1							•Seal		
29	VOE15033923	1							•Gasket		(PJ135996880)
30	PJ135996870	1							•Seal		
31	PJ052109076	1							•O-ring		
32	VOE11712577	1							•O-ring		(PJ052109078)

Date: 2013/12/11	Image id: 1006498	Catalogue: 10011	Model: EW50
Brand: Volvo	Serial: 10151-99999	Group/Section: 210/100	Title: Diesel engine

👁 SERVICE BULLETIN 09/98

→ N°PUMA 3562



Volvo Construction
Equipment
1006498

Q1-Q5	Option	Option description	
Q1 256.10151 256.13269			

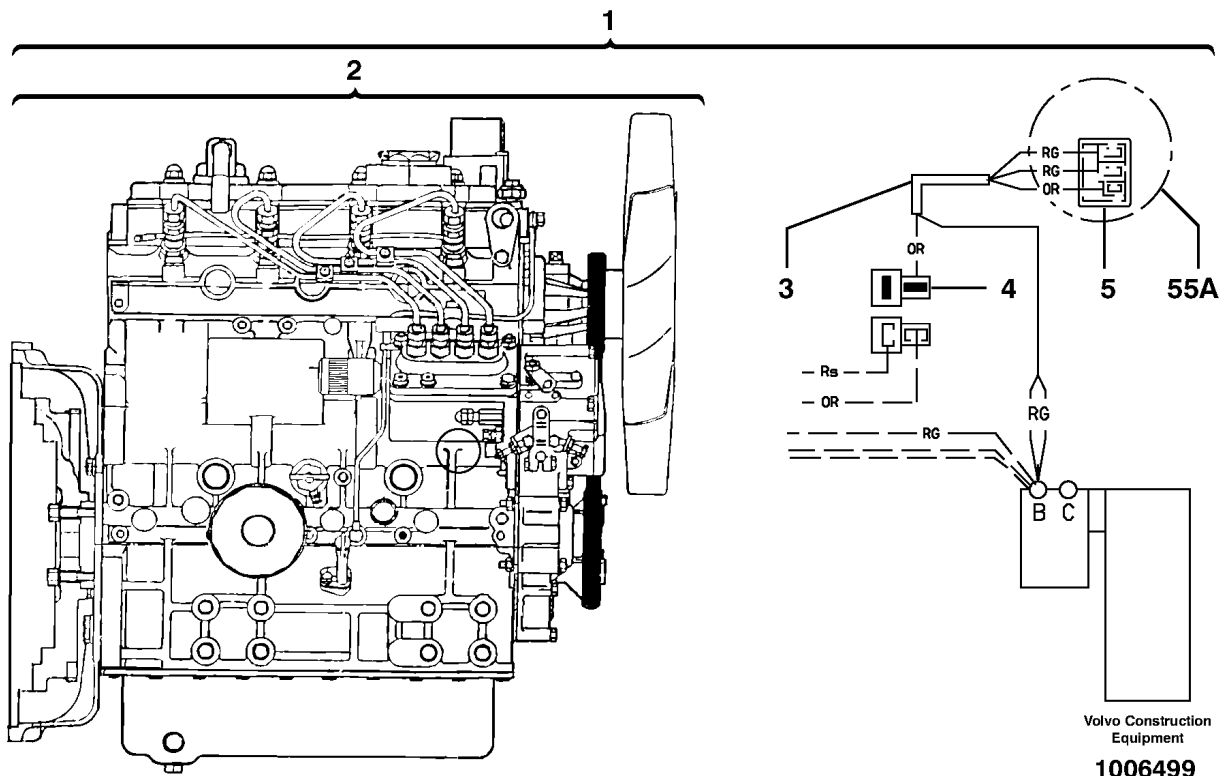
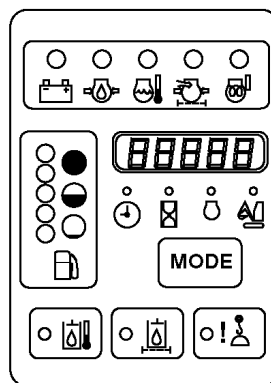
Pos	Part	Q1	Q2	Q3	Q4	Q5	PS	Kit	Description	Option(s)	Remark
1	PJ6660223	1							Overhaul kit		
2	PJ4850006	1							•Pulley		OD = 70mm/2.7559in
3	PJ6660221	1							•Kit		
4	PJ0542081260	1							••Washer		
5	PJ2614B129	1							••Belt		
6	PJ0542056340	1							••Spacer		THICK = 5,5mm/0.2165in
7	PJ0542057210	1							••Spacer		THICK = 6,5mm/0,2559in
8	PJ5370213	1					OP		•Engine		
9	PJ5720579	1							•Wire harness		

10	PJ5080125	1							•Plug connector		
11	PJ5080130	1							•Plug connector		
12	PJ5090133	1					OP		•Clip (strap)		
13	VOE940090	1					SS		•Washer		(PJ4460014)MU5
14	PJ4410010	1							•Nut		HM5

Date: 2013/12/11	Image id: 1006499	Catalogue: 10011	Model: EW50
Brand: Volvo	Serial: 10151-99999	Group/Section: 210/200	Title: Diesel engine

 **SERVICE BULLETIN 09/98**

└─▶ N°PUMA 3563

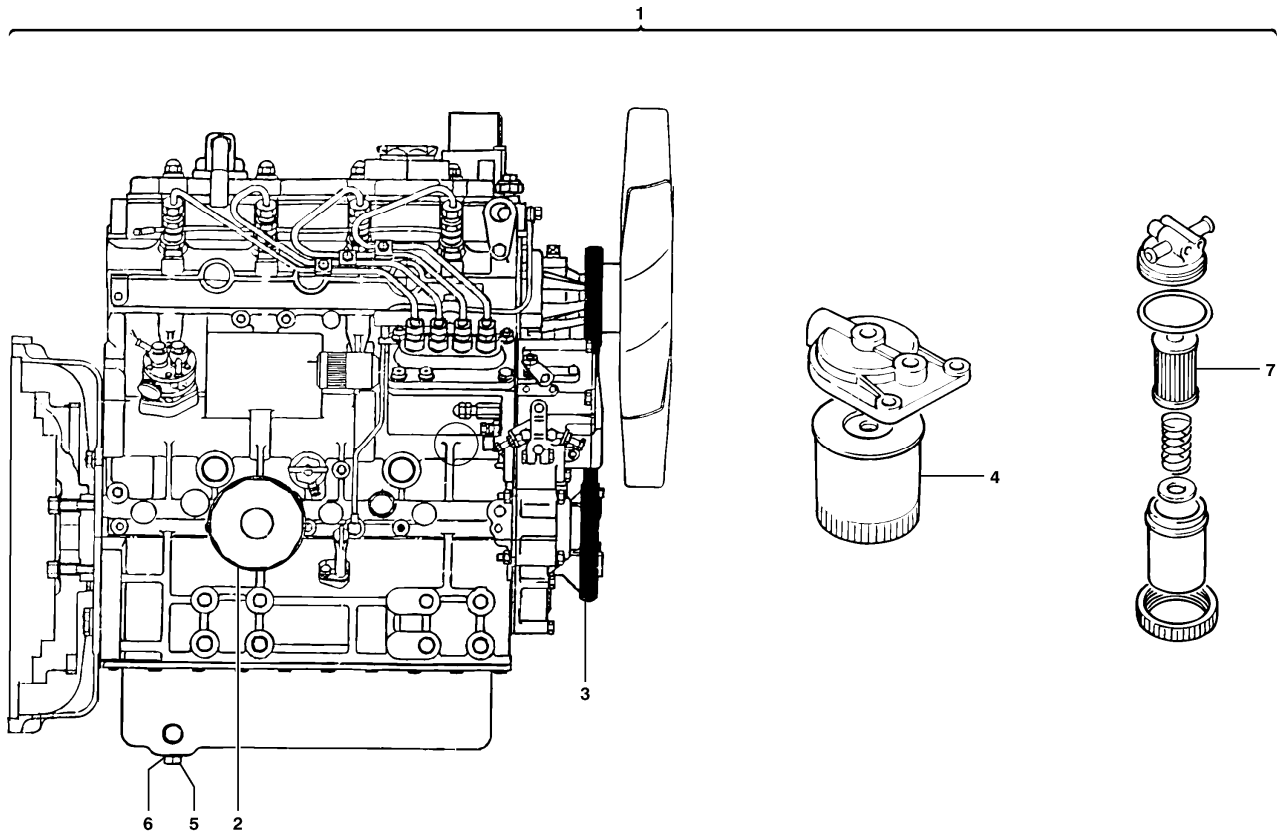


Q1-Q5	Option	Option description	
-------	--------	--------------------	--

Q1 256.10151 256.13269			
---------------------------	--	--	--

Pos	Part	Q1	Q2	Q3	Q4	Q5	PS	Kit	Description	Option(s)	Remark
1	PJ6660225	1							Repair kit		
2	PJ5370213	1					OP		•Engine		
3	PJ5720617	1							•Wire harness		
4	PJ5080125	1							•Plug connector		
5	PJ5080130	1							•Plug connector		

Date: 2013/12/11	Image id: 1006489	Catalogue: 10011	Model: EW50
Brand: Volvo	Serial: 10151-99999	Group/Section: 210/300	Title: Diesel engine



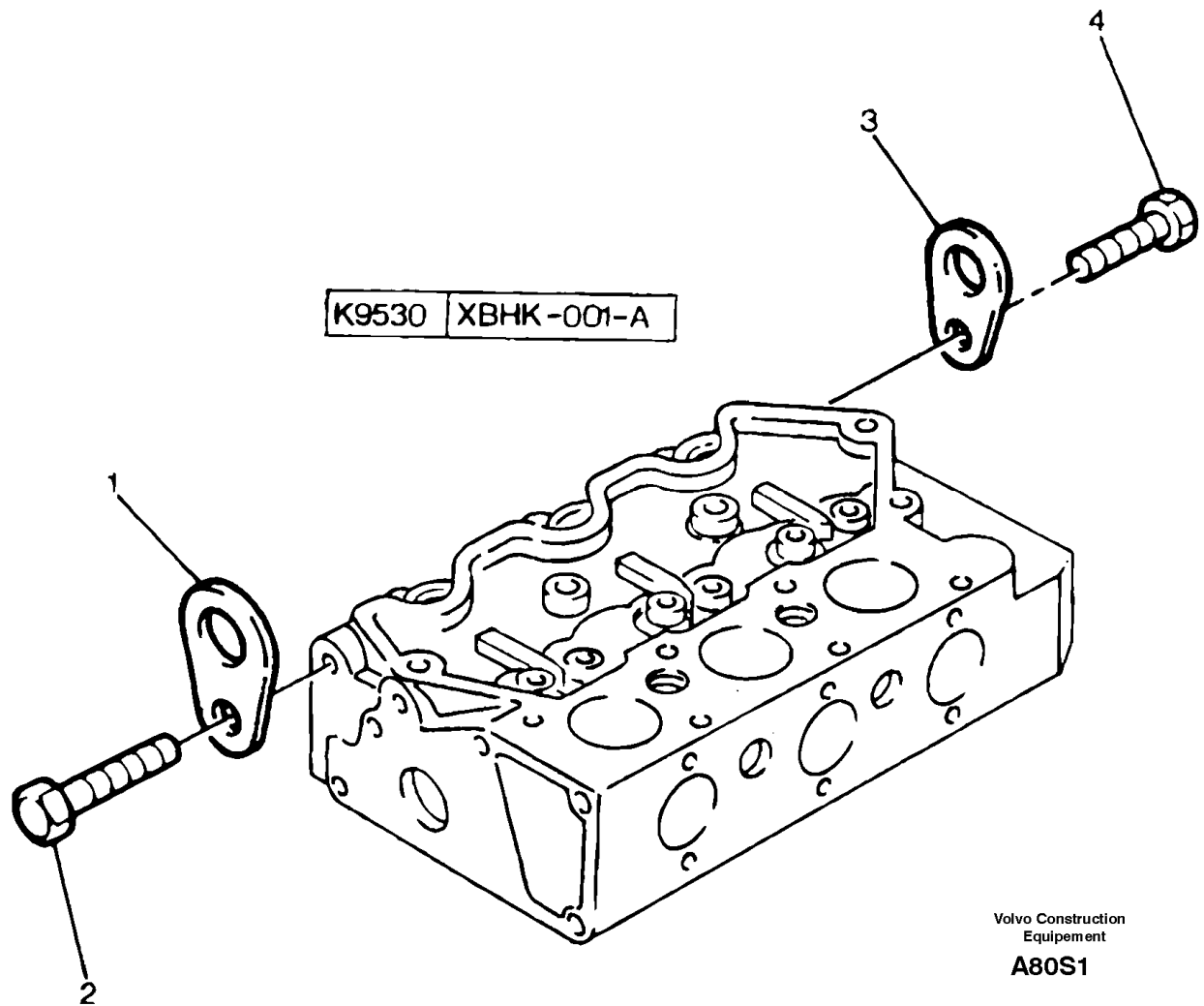
Volvo Construction
Equipment
1006489

Q1-Q5	Option	Option description	
Q1 256.13270			

Pos	Part	Q1	Q2	Q3	Q4	Q5	PS	Kit	Description	Option(s)	Remark
1	PJ5370213	1					OP		Engine		
2	PJ7413694	1							•Oil Filter		
2	PJ7413694/10	1					SS		Filter Kit		
3	PJ7414802	1							Belt		
4	PJ7413693	1							Fuel filter		
4	PJ7413693/10	1					SS		Filter Kit		
5	PJ7413690	2							Plug		
6	PJ7413691	2							Bushing		
7	VOE11715846	1							Fuel filter insert		(PJ7412921)
7	PJ7412921/20	1					SS		Filter Kit		

1	PJ110006750	1					NS		Short engine		
---	-------------	---	--	--	--	--	----	--	--------------	--	--

Date: 2013/12/11	Image id: A80S1	Catalogue: 10011	Model: EW50
Brand: Volvo	Serial: 10151-99999	Group/Section: 210/500	Title: Engine lifting



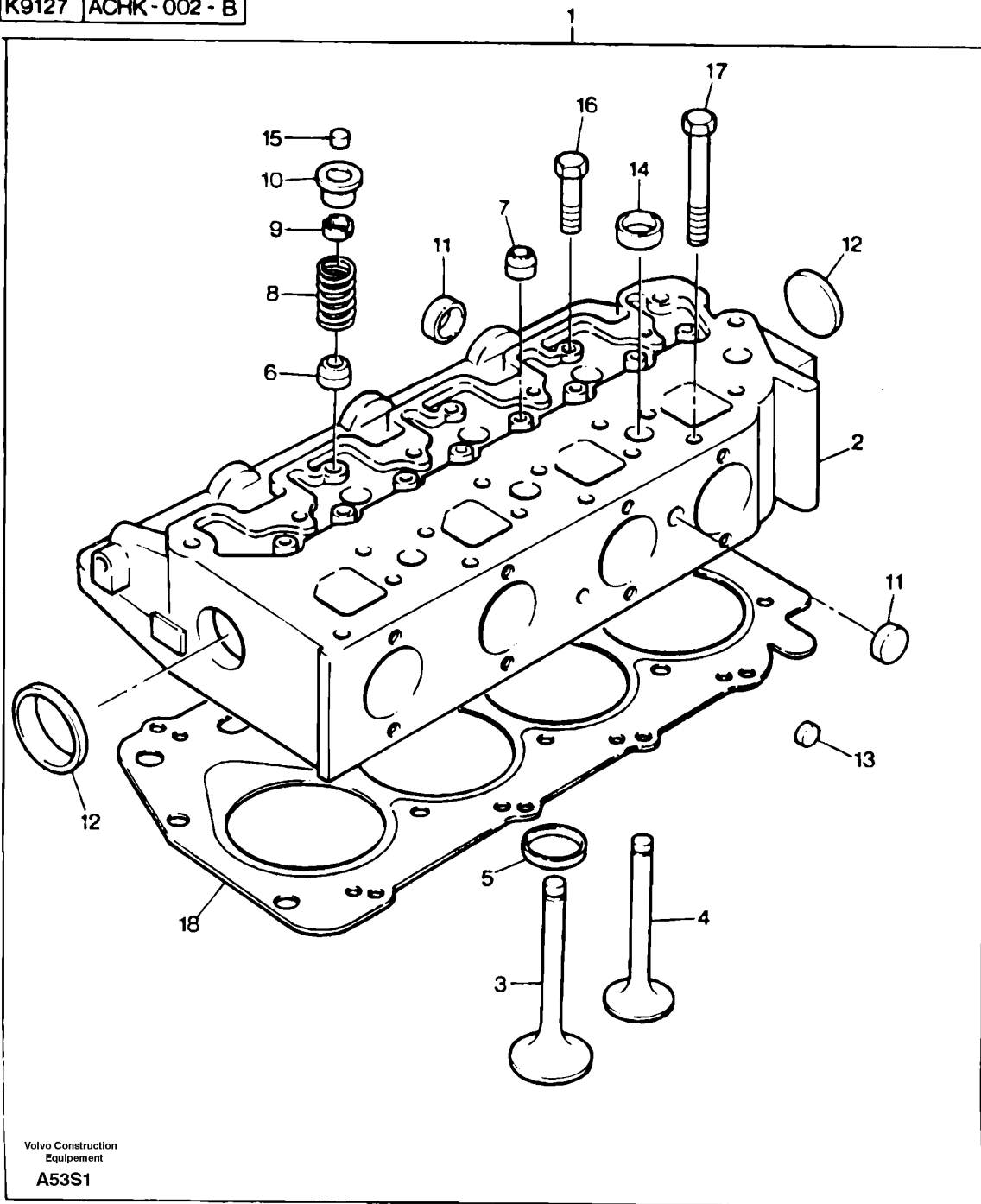
Q1-Q5	Option	Option description	
Q1.			

Pos	Part	Q1	Q2	Q3	Q4	Q5	PS	Kit	Description	Option(s)	Remark
1	PJ195816200	1					NS		Plate		ENG - KR80667J
1	PJ195816540	1							Plate		(PJ195816370)ENG KR80667U -
2	PJ011310816	1					OP		Screw		ENG - KR80667J
2	PJ011510816	1							Screw		ENG KR80667U -
3	PJ195816200	1					NS		Plate		ENG - KR80667J
3	PJ195816540	1							Plate		(PJ195816370)ENG KR80667U -

4	PJ011310816	1					OP		Screw		ENG - KR80667J
4	PJ011510816	1							Screw		ENG KR80667U -

Date: 2013/12/11	Image id: A53S1	Catalogue: 10011	Model: EW50
Brand: Volvo	Serial: 10151-99999	Group/Section: 211/100	Title: Cylinder head

K9127 ACHK - 002 - B



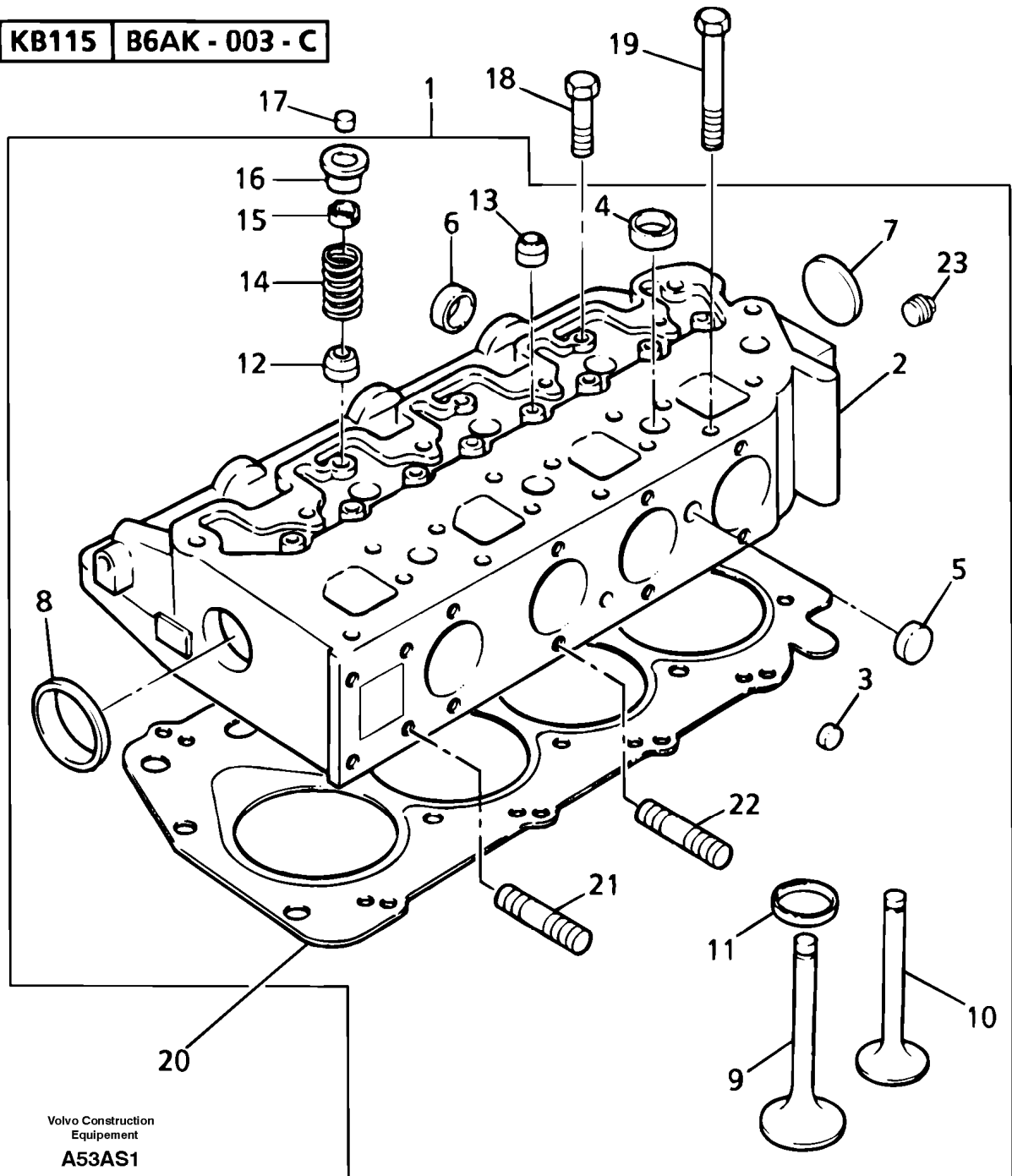
Q1-Q5	Option	Option description
-------	--------	--------------------

Q1 KR80667J			
----------------	--	--	--

Pos	Part	Q1	Q2	Q3	Q4	Q5	PS	Kit	Description	Option(s)	Remark
1	PJ111017420	1							Cyl Head Kit		
2		1							•Cylinder head		ORDER ITEM NO 1
3	PJ120166350	4							•Valve		
4	PJ120176360	4							•Valve		
5	PJ110136390	4					NS		•Socket		
6	PJ120406070	4							•Seal		
7	PJ120406050	4							•Seal		
8	PJ198216700	8							•Spring		
9	PJ120226070	8							•Cone		
10	PJ120186080	8							•Cap		
11	PJ064200025	6							•Plug		
12	PJ064200030	2							•Plug		
13	PJ064200010	3					OP		•Plug		
14	PJ064200018	7							•Plug		
15	PJ120216040	8							Cap		
16	PJ111136370	4					OP		Screw		
17	PJ111136360	14					OP		Screw		
18	PJ111147450	1					SS		Cyl Head Gasket		

Date: 2013/12/11	Image id: A53AS1	Catalogue: 10011	Model: EW50
Brand: Volvo	Serial: 10151-99999	Group/Section: 211/200	Title: Cylinder head

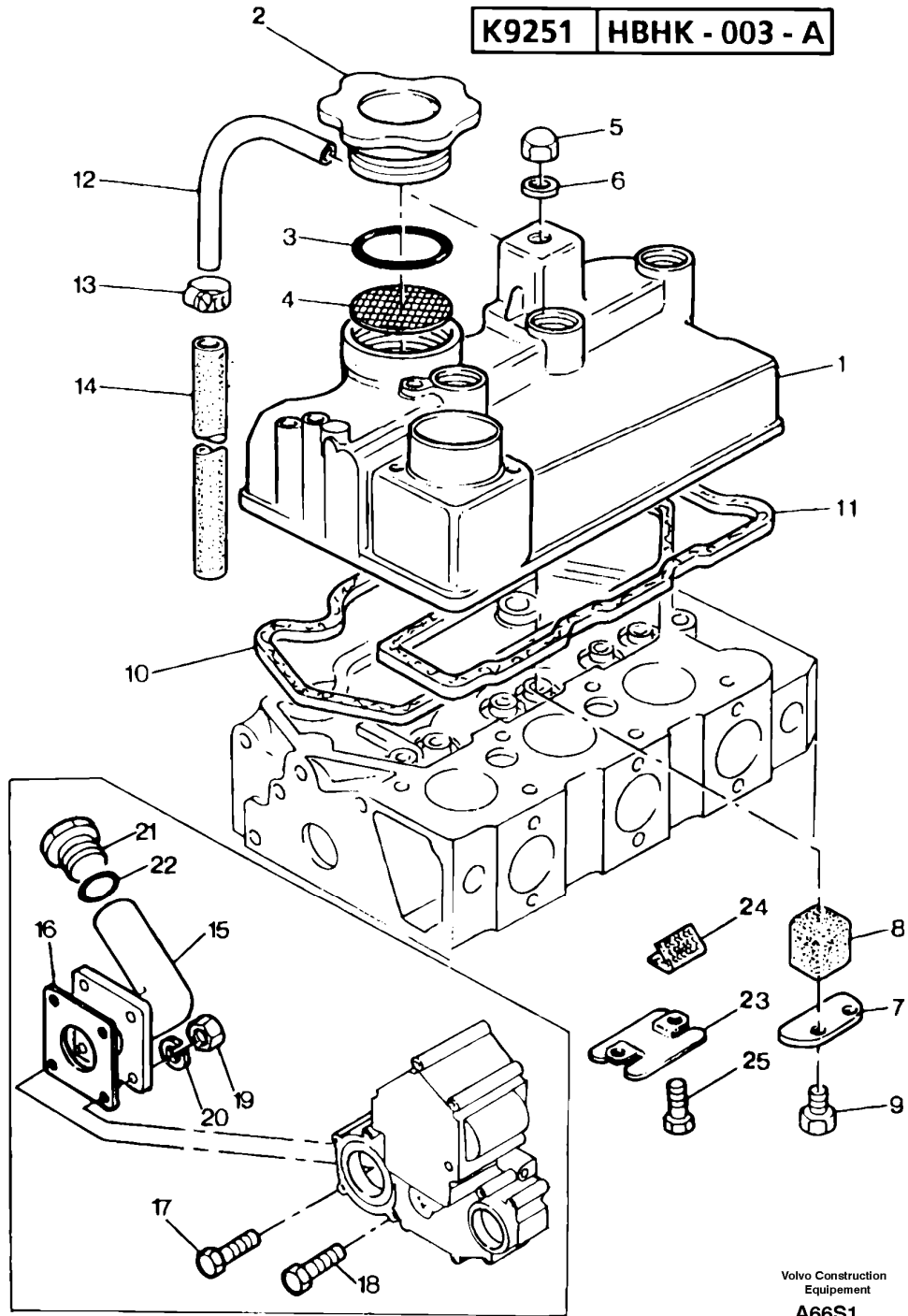
KB115 B6AK - 003 - C



Q1-Q5	Option	Option description	
Q1 KR80667U			

Pos	Part	Q1	Q2	Q3	Q4	Q5	PS	Kit	Description	Option(s)	Remark
1	PJ111017420	1							Cyl Head Kit		
2		1							•Cylinder head		ORDER ITEM NO 1
3	PJ064200010	3					OP		•Plug		
4	PJ064200018	7							•Plug		
5	PJ064200025	3							•Plug		
6	PJ064200025	3							•Plug		
7	PJ064200030	1							•Plug		
8	PJ064200030	1							•Plug		
9	PJ120166350	4							•Valve		
10	PJ120176360	4							•Valve		
11	PJ110136390	4					NS		•Socket		
12	PJ120406070	4							•Seal		
13	PJ120406050	4							•Seal		
14	PJ198216700	8							•Spring		
15	PJ120226070	16							•Cone		
16	PJ120186080	8							•Cap		
17	PJ120216040	8							Cap		
18	PJ111136370	4					OP		Screw		
19	PJ111136360	14					OP		Screw		
20	PJ111147460	1					SS		Cyl Head Gasket		

Date: 2013/12/11	Image id: A66S1	Catalogue: 10011	Model: EW50
Brand: Volvo	Serial: 10151-99999	Group/Section: 211/300	Title: Lubrication oil filler and breather

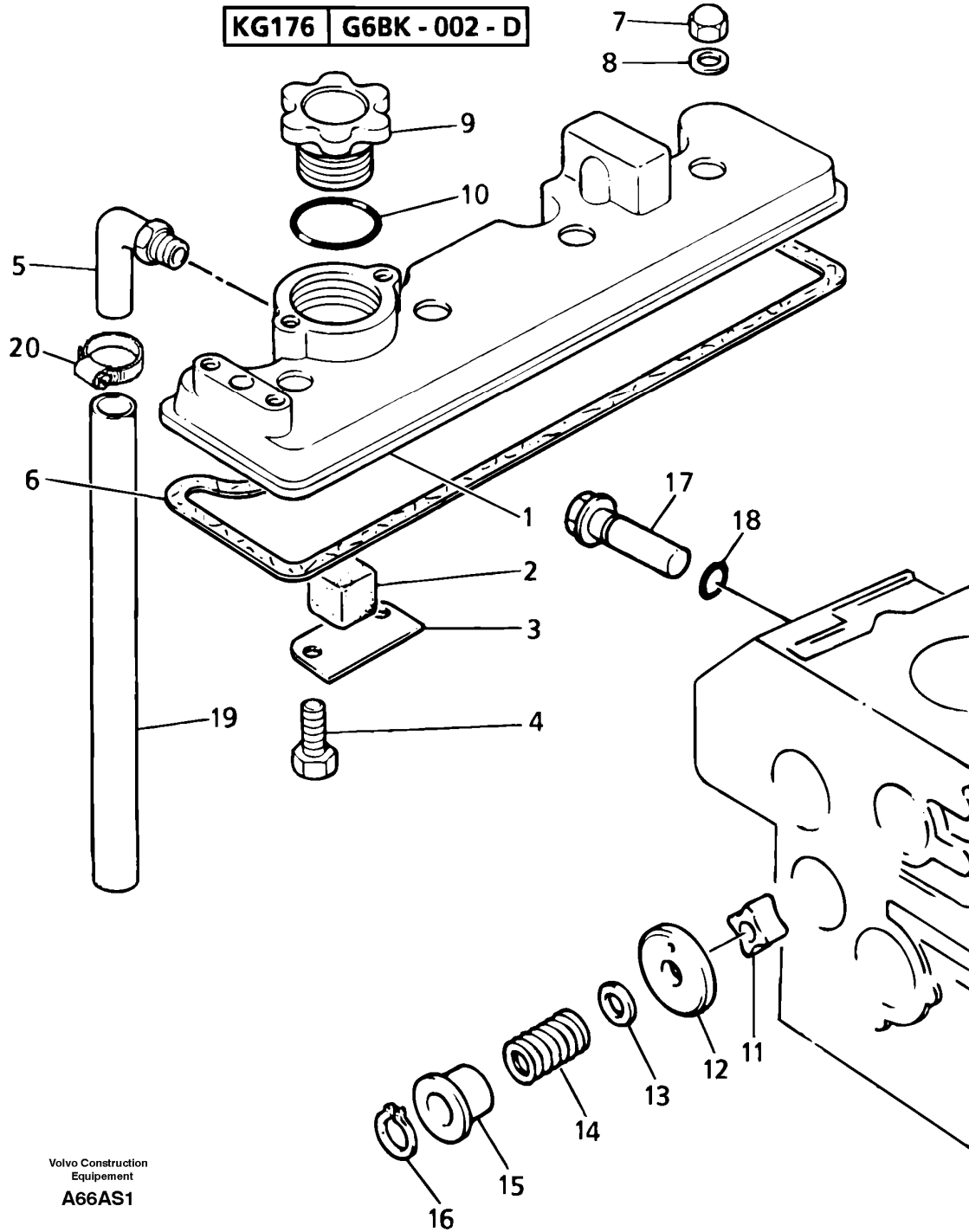


Q1-Q5	Option	Option description	
-------	--------	--------------------	--

Q1 KR80667J			
----------------	--	--	--

Pos	Part	Q1	Q2	Q3	Q4	Q5	PS	Kit	Description	Option(s)	Remark
1	PJ111026150	1							Cover		
2	PJ198436010	1					SS		Plug		
3	PJ052100400	1							Seal		
4		1							Plate		INCL IN 2, ORDER 2
5	PJ024600010	4							Nut		
6	PJ198996071	4					SS		Washer		
7	PJ110666050	1					OP		Plate		
8	PJ110666090	1							Gauze		
9	PJ011300612	2					OP		Bolt		
11	PJ052109072	1							Gasket		
12	PJ140986581	1					OP		Pipe		
14	PJ068109036	1							Hose		
21	PJ198436010	1					SS		Plug		
22	PJ052100400	1							Seal		

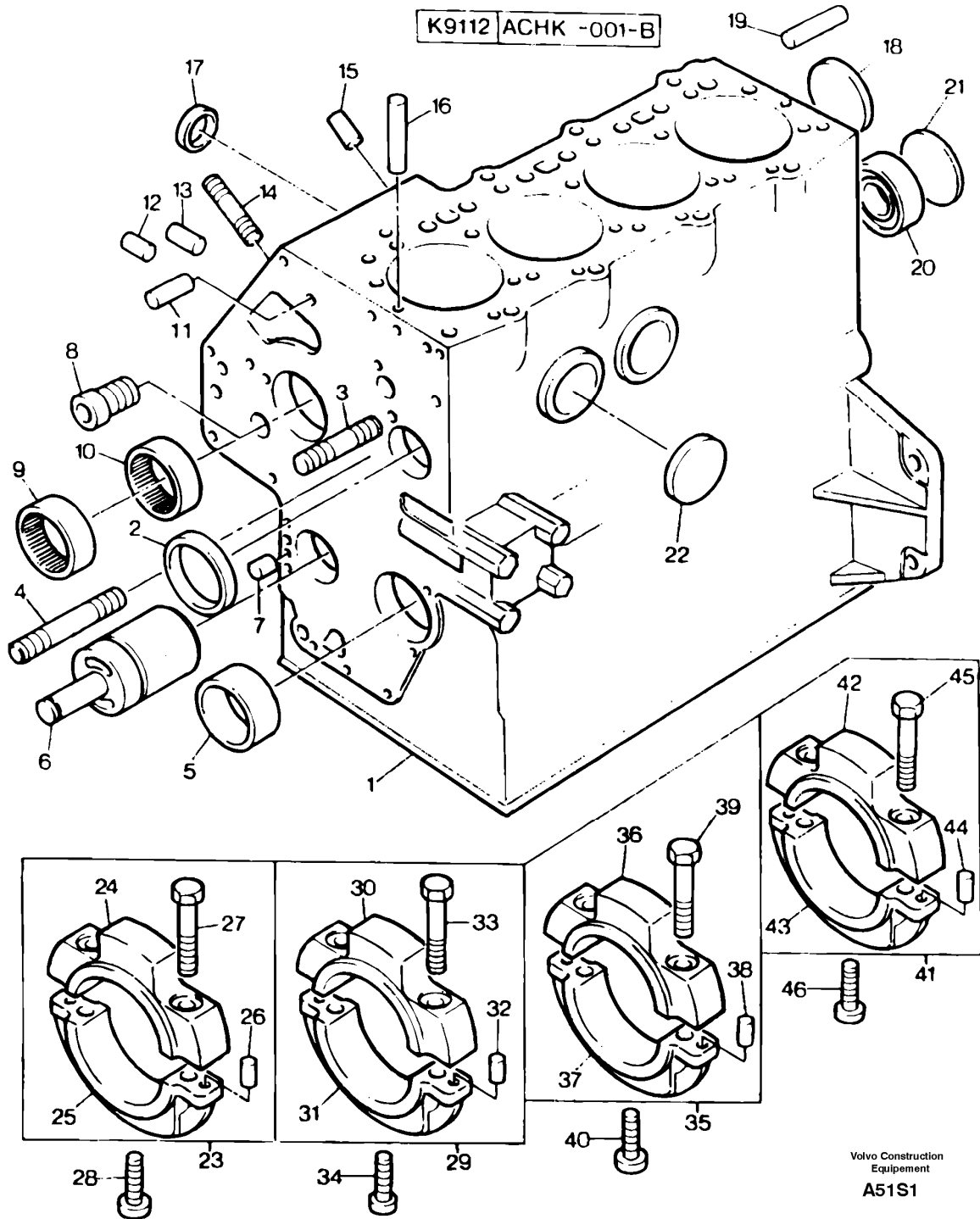
Date: 2013/12/11	Image id: A66AS1	Catalogue: 10011	Model: EW50
Brand: Volvo	Serial: 10151-99999	Group/Section: 211/400	Title: Lubrication oil filler and breather



Q1-Q5	Option	Option description	
Q1	KR80667U		

Pos	Part	Q1	Q2	Q3	Q4	Q5	PS	Kit	Description	Option(s)	Remark
1	PJ111026150	1							Cover		
2	PJ110666090	1							•Gauze		
3	PJ110666050	1					OP		•Plate		
4	PJ011300612	2					OP		•Bolt		
5	PJ140986581	1					OP		•Pipe		
6	PJ052109072	1							Gasket		
7	PJ024600010	4							Nut		
8	PJ131996200	4							Seal		
9	PJ198436010	1					SS		Plug		
10	PJ052100400	1							Seal		
11	PJ140166140	1					OP		Rotor		
12	PJ140116140	1					OP		Cover		
13	PJ199286150	REQ					OP		Shim		THICK = 0,10mm/0.0039in
13	PJ199286160	REQ					OP		Shim		THICK = 0,15mm/0.0059in
13	PJ199286170	REQ					OP		Shim		THICK = 0,20mm/0.0079in
13	PJ199286180	REQ					OP		Shim		THICK = 0,50mm/0.0197in
14	PJ198216720	1					OP		Spring		
15	PJ199236540	1					OP		Cup		
16	PJ036800010	1					OP		Snap Ring		
17	PJ140036220	1							Pressure switch		
18	VOE11712577	1							O-ring		(PJ052109078)
19	PJ068109036	1							Hose		

Date: 2013/12/11	Image id: A51S1	Catalogue: 10011	Model: EW50
Brand: Volvo	Serial: 10151-99999	Group/Section: 212/100	Title: Cylinder block



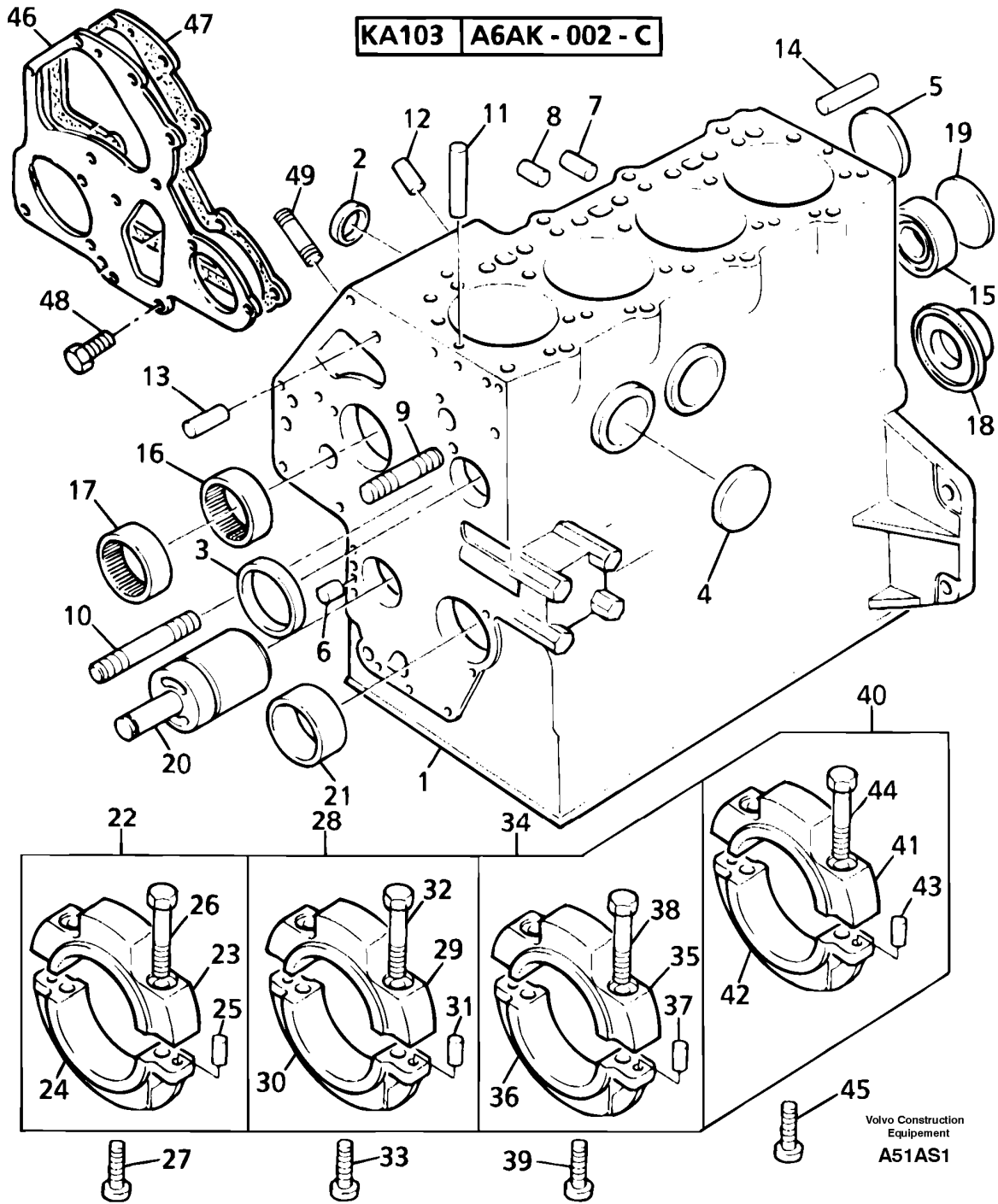
Q1-Q5	Option	Option description	
-------	--------	--------------------	--

Q1 KR80667J			
----------------	--	--	--

Pos	Part	Q1	Q2	Q3	Q4	Q5	PS	Kit	Description	Option(s)	Remark
1	PJ110107790	1					NS		Cylinder block kit		
2	PJ064200040	1							•Plug		
3	PJ012100635	1					OP		•Stud		
4	PJ012100660	1					OP		•Stud		
5	PJ198517220	1					OP		•Bushing		THICK = STD
5	PJ198517224	1					OP		•Bushing		THICK = 0,25mm/0.0098in
5	PJ198517227	1					OP		•Bushing		THICK = 0,50mm/0,0197in
6	PJ165296130	1					OP		•Shaft		
7	PJ198466010	3					OP		•Plug		
8	PJ198517090	1					OP		•Bushing		
9	PJ042309018	1					NS		•Needle bearing		
10	PJ042309017	1					NS		•Needle bearing		
11	PJ030500616	2					OP		•Pin		
12	PJ198466070	4					NS		•Plug		
13	PJ198466020	4					OP		•Plug		
14	PJ012100820	3					OP		•Stud		
15	PJ030500612	2					OP		•Pin		
16	PJ030309005	2					OP		•Pin		
17	PJ064200025	2							•Plug		
18	PJ064200040	1							•Plug		
19	PJ030501025	2					OP		•Pin		
20	PJ040106203	1					OP		•Ball Bearing		
21	PJ064100045	1							•Plug		
22	PJ064200040	3							•Plug		
23	PJ110156360	1					NS		•Bearing Kit		
24		1							•Bearing		ORDER ITEM NO 23
25		1							•Bearing		ORDER ITEM NO 23
26	PJ030500612	2					OP		•Pin		
27	PJ010109406	2					NS		Screw		
28	PJ011311075	1					NS		Screw		
29	PJ110156370	1					NS		Bearing Kit		
30		1							•Bearing		ORDER ITEM NO 29
31		1							•Bearing		ORDER ITEM NO 29
32	PJ030500612	2					OP		•Pin		
33	PJ010109406	2					NS		•Screw		
34	PJ011311075	1					NS		Screw		
35	PJ110156380	1					NS		Bearing Kit		
36		1							•Bearing		ORDER ITEM NO 35
37		1							•Bearing		ORDER ITEM NO 35
38	PJ030500612	2					OP		•Pin		
39	PJ010109406	2					NS		•Screw		

40	PJ011311075	1					NS		Screw		
41	PJ110156390	1							Bearing Kit		
42		1							•Bearing		ORDER ITEM NO 41
43		1							•Bearing		ORDER ITEM NO 41
44	PJ030500612	2					OP		•Pin		
45	PJ010109406	2					NS		•Screw		
46	PJ010700865	2					OP		Screw		

Date: 2013/12/11	Image id: A51AS1	Catalogue: 10011	Model: EW50
Brand: Volvo	Serial: 10151-99999	Group/Section: 212/200	Title: Cylinder block

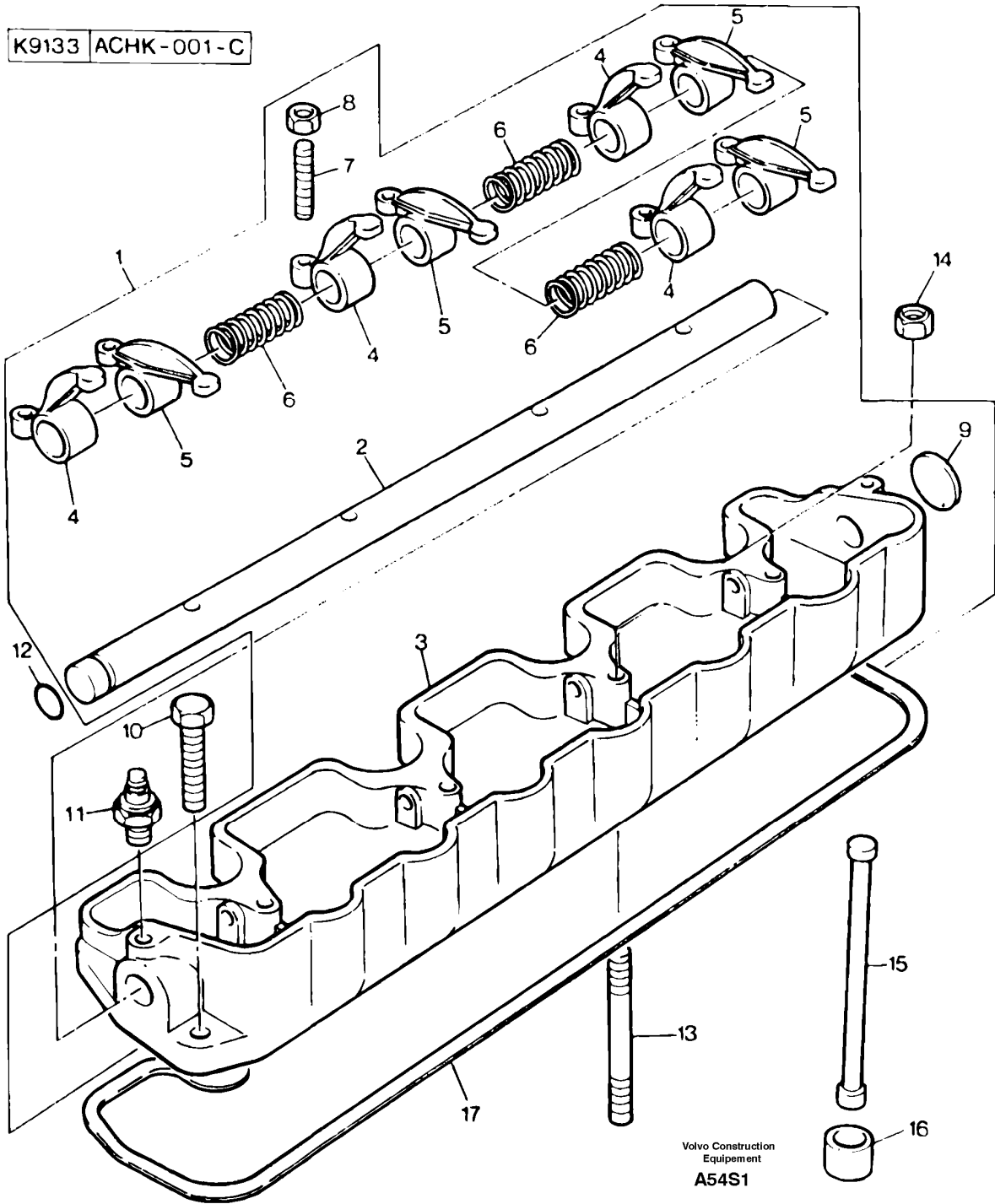


Q1-Q5	Option	Option description	
Q1 KR80667U			

Pos	Part	Q1	Q2	Q3	Q4	Q5	PS	Kit	Description	Option(s)	Remark
1	PJ110103120	1					NS		Cylinder block kit		
2	PJ064200025	2							•Plug		
3	PJ064200040	1							•Plug		
4	PJ064200040	3							•Plug		
5	PJ064200040	1							•Plug		
6	PJ198466010	3					OP		•Plug		
7	PJ198466020	4					OP		•Plug		
8	PJ198466030	4					OP		•Plug		
9	PJ012100635	1					OP		Stud		
10	PJ012100660	1					OP		Stud		
11	PJ030309005	2					OP		Pin		
12	PJ030500612	2					OP		Pin		
13	PJ030500616	2					OP		Pin		
14	PJ030501025	2					OP		Pin		
15	PJ040106203	1					OP		Ball Bearing		
16	PJ042309017	1					NS		Needle bearing		
17	PJ042309018	1					NS		Needle bearing		
18	PJ050209083	1							Seal		
19	PJ064100045	1							Plug		
20	VOE11714016	1							Shaft		(PJ165296131)
21	PJ198517220	1					OP		Bushing		THICK = STD
21	PJ198517224	1					OP		Bushing		THICK = 0,25mm/0,0098in
21	PJ198517227	1					OP		Bushing		THICK = 0,50mm/0,0197in
22	PJ110156360	1					NS		Bearing Kit		
23		1							•Bearing		ORDER ITEM NO 22
24		1							•Bearing		ORDER ITEM NO 22
25	PJ030500612	2					OP		•Pin		
26	PJ010109406	2					NS		•Screw		
27	PJ011311075	1					NS		Screw		
28	PJ110156370	1					NS		Bearing Kit		
29		1							•Bearing		ORDER ITEM NO 28
30		1							•Bearing		ORDER ITEM NO 28
31	PJ030500612	2					OP		•Pin		ORDER ITEM NO 28
32	PJ010109406	2					NS		•Screw		
33	PJ011311075	1					NS		Screw		
34	PJ110156380	1					NS		Bearing Kit		
35		1							•Bearing		ORDER ITEM NO 34
36		1							•Bearing		ORDER ITEM NO 34
37	PJ030500612	2					OP		•Pin		
38	PJ010109406	2					NS		•Screw		
39	PJ011311075	1					NS		Screw		
40	PJ110156390	1							Bearing Kit		
41		1							•Bearing		ORDER ITEM NO 40
42		1							•Bearing		ORDER ITEM NO 40

43	PJ030500612	2					OP		•Pin		
44	PJ010109406	2					NS		•Screw		
45	PJ010700865	2					OP		Screw		
46	PJ165166221	1					OP		Plate		
47	PJ165996540	1							Seal		
48	PJ011300612	2					OP		Bolt		
49	PJ010109441	3					NS		Stud		

Date: 2013/12/11	Image id: A54S1	Catalogue: 10011	Model: EW50
Brand: Volvo	Serial: 10151-99999	Group/Section: 214/100	Title: Rocker arm shaft

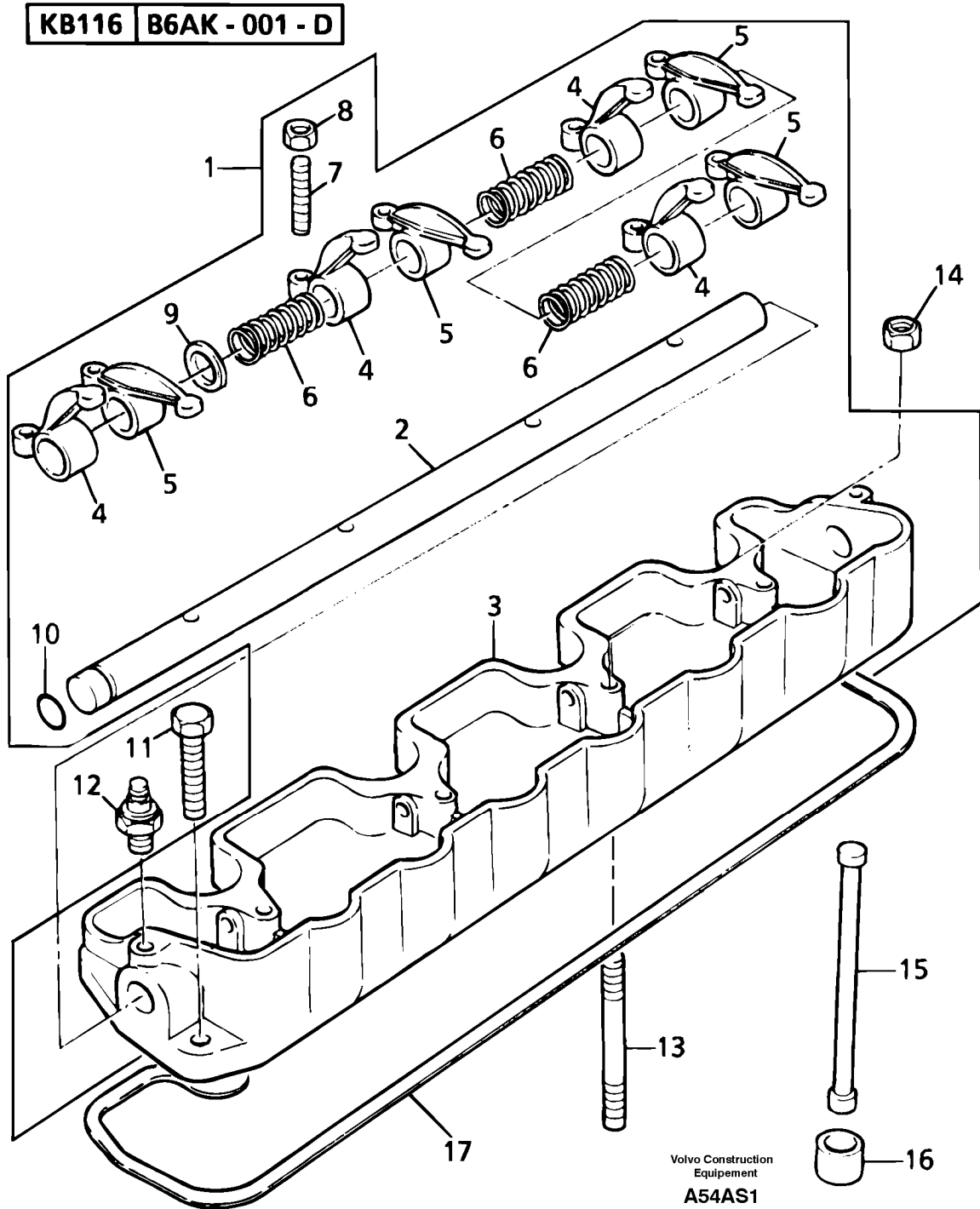


Q1-Q5	Option	Option description

Q1 KR80667J			
----------------	--	--	--

Pos	Part	Q1	Q2	Q3	Q4	Q5	PS	Kit	Description	Option(s)	Remark
1	PJ120036391	1							Rocker shaft		
2	PJ120316200	1					NS		•Rocker Arm Shaft		
3	PJ120346260	1					SS		•Support		
4	PJ120356131	4							•Rocker Arm		
5	PJ120356141	4					NS		•Rocker Arm		
6	PJ198217170	3					NS		•Spring		
7	PJ199486220	8							•Screw with pin		
8	PJ020109076	8							•Nut		
9	PJ064200015	1							•Plug		
10	PJ011300650	1					NS		Screw		
11	PJ185246060	1							Pressure Switch		
12	PJ052109076	1							O-ring		
13	PJ012109044	4					NS		Stud		
14	PJ023109002	4					OP		Nut		
15	PJ120456310	8							Rod		
16	PJ120116160	8					NS		Tappet		
17	PJ052109074	1							Gasket		
18	PJ199280300	6					NS		Washer		

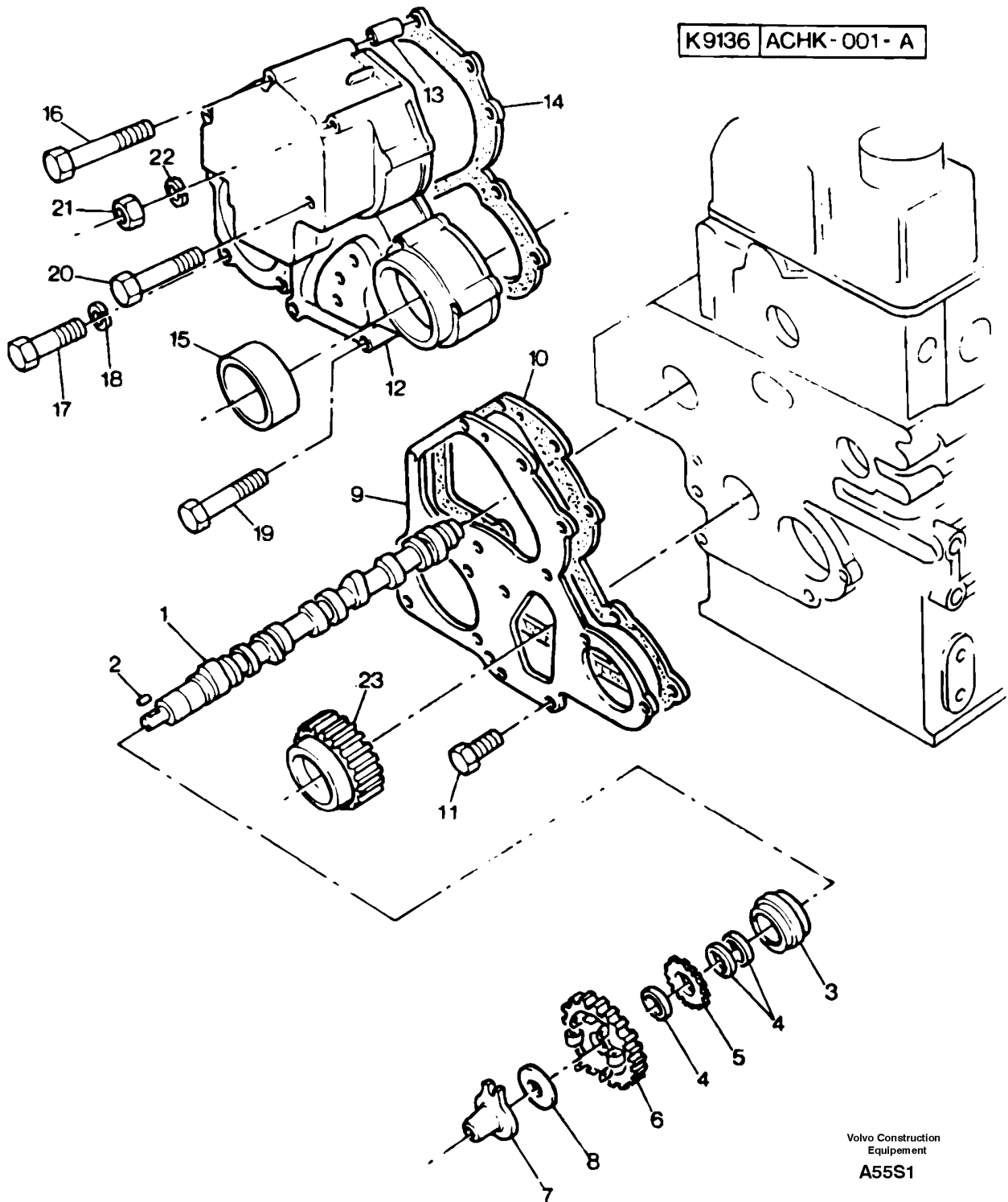
Date: 2013/12/11	Image id: A54AS1	Catalogue: 10011	Model: EW50
Brand: Volvo	Serial: 10151-99999	Group/Section: 214/200	Title: Rocker arm shaft



Q1-Q5	Option	Option description	
Q1 KR80667U			

Pos	Part	Q1	Q2	Q3	Q4	Q5	PS	Kit	Description	Option(s)	Remark
1	PJ120036393	1					NS		Rocker shaft		
2	PJ120316200	1					NS		•Rocker Arm Shaft		
3	PJ120346341	1							•Support		(PJ120346262)
4	PJ120356131	4							•Rocker Arm		
5	PJ120356141	4					NS		•Rocker Arm		
6	PJ198217170	3					NS		•Spring		
7	PJ199486220	8							•Screw with pin		
8	PJ020109076	8							•Nut		
9	PJ199280300	6					NS		•Washer		
10	PJ052109076	1							•O-ring		
11	PJ011300650	1					NS		Screw		
12	PJ185246060	1							Pressure Switch		
13	PJ012109044	4					NS		Stud		
14	PJ023109002	4					OP		Nut		
15	PJ120456310	8							Rod		
16	PJ120116160	8					NS		Tappet		
17	PJ052109074	1							Gasket		

Date: 2013/12/11	Image id: A55S1	Catalogue: 10011	Model: EW50
Brand: Volvo	Serial: 10151-99999	Group/Section: 215/100	Title: Timing gear and camshaft



Q1-Q5	Option	Option description	
-------	--------	--------------------	--



Suggest:

For more complete manuals. Please go to the home page.

<https://www.ebooklibonline.com>

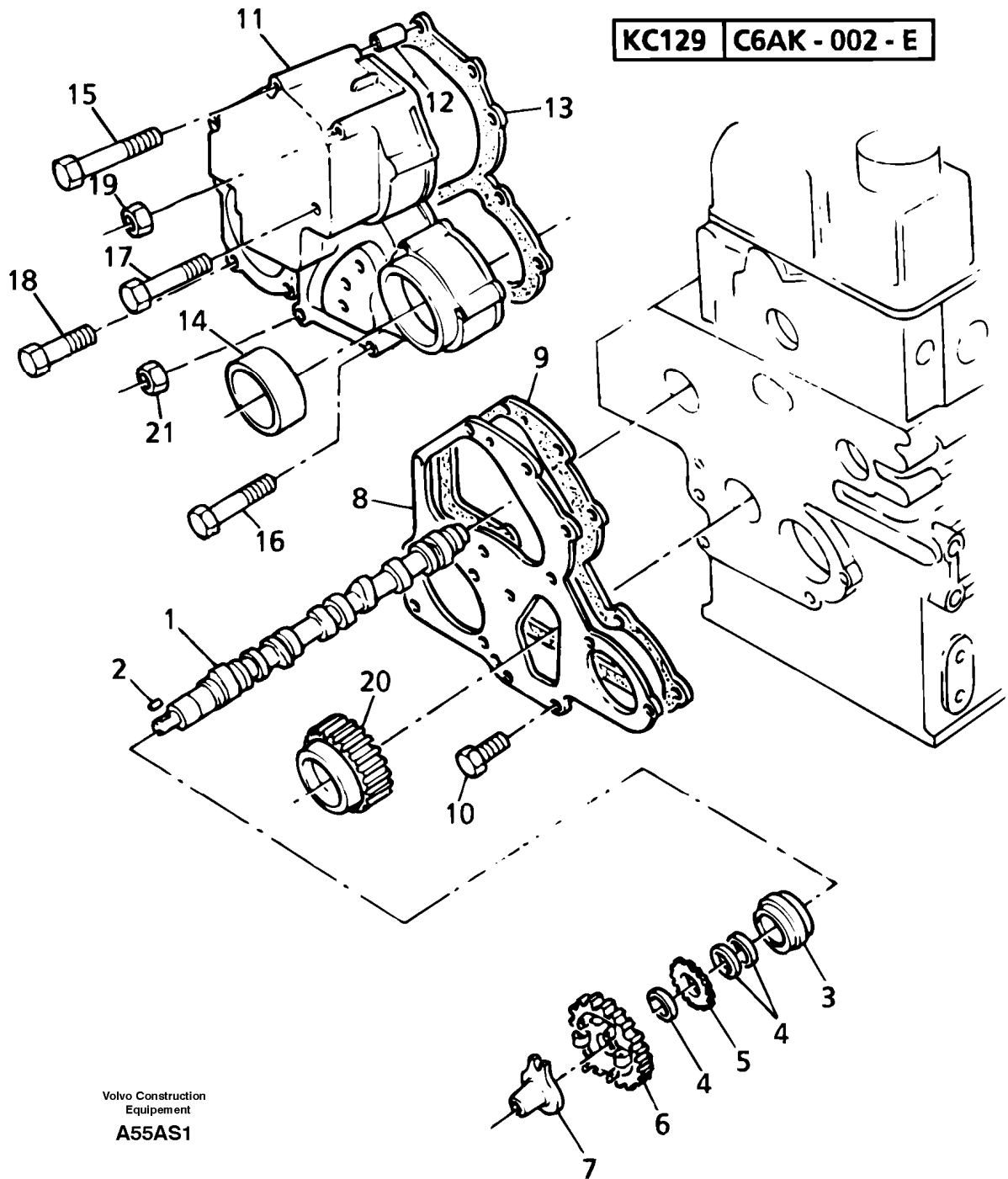
If the above button click is invalid. Please download this document first, and then click the above link to download the complete manual.

Thank you so much for reading

Q1 KR80667J			
----------------	--	--	--

Pos	Part	Q1	Q2	Q3	Q4	Q5	PS	Kit	Description	Option(s)	Remark
1	PJ120026320	1							Camshaft		
2	PJ034100508	1							•Key		
3	PJ040109057	1					NS		•Bearing Bushing		
4	PJ199216230	3					OP		•Spacer		
5	PJ120736081	1					OP		•Pinion		
6	PJ120016050	1					OP		•Pinion		
7	PJ125256120	1					OP		Tappet		
9	PJ165166221	1					OP		Plate		
10	PJ165996361	1					SS		Seal		
11	PJ011300612	2					OP		Bolt		
12	PJ165106092	1							Oil Pan		
13	PJ030300414	1							•Pin		
14	PJ165996351	1					SS		Seal		
15	PJ198636160	1							Seal		
16	PJ011300645	6					OP		Screw		
19	PJ011300680	2					OP		Screw		
20	PJ011300660	5					OP		Screw		
21	PJ023100006	1							Nut		
23		1							Pinion		

Date: 2013/12/11	Image id: A55AS1	Catalogue: 10011	Model: EW50
Brand: Volvo	Serial: 10151-99999	Group/Section: 215/200	Title: Timing gear and camshaft



Q1-Q5	Option	Option description	
-------	--------	--------------------	--

<https://www.ebooklibonline.com>

Hello dear friend!

Thank you very much for reading.

Enter the link into your browser.

The full manual is available for immediate download.

<https://www.ebooklibonline.com>