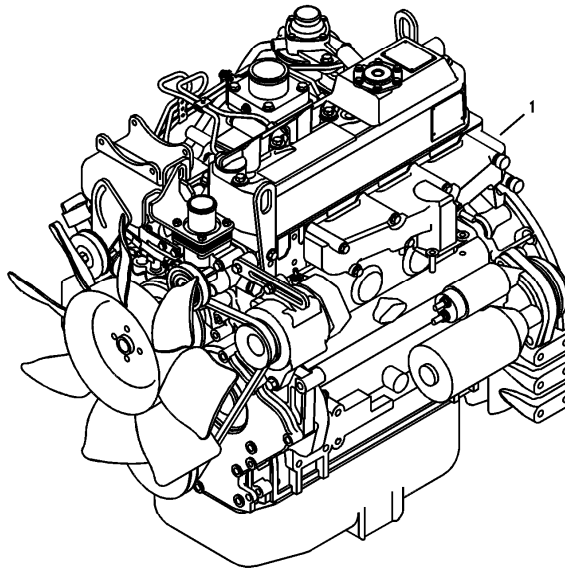


Date: 2013/12/15	Image id: 1013369	Catalogue: 20044	Model: ECR88
Brand: Volvo	Serial: 10001-14010	Group/Section: 210/100	Title: Engine



Volvo Construction
Equipment
1013369

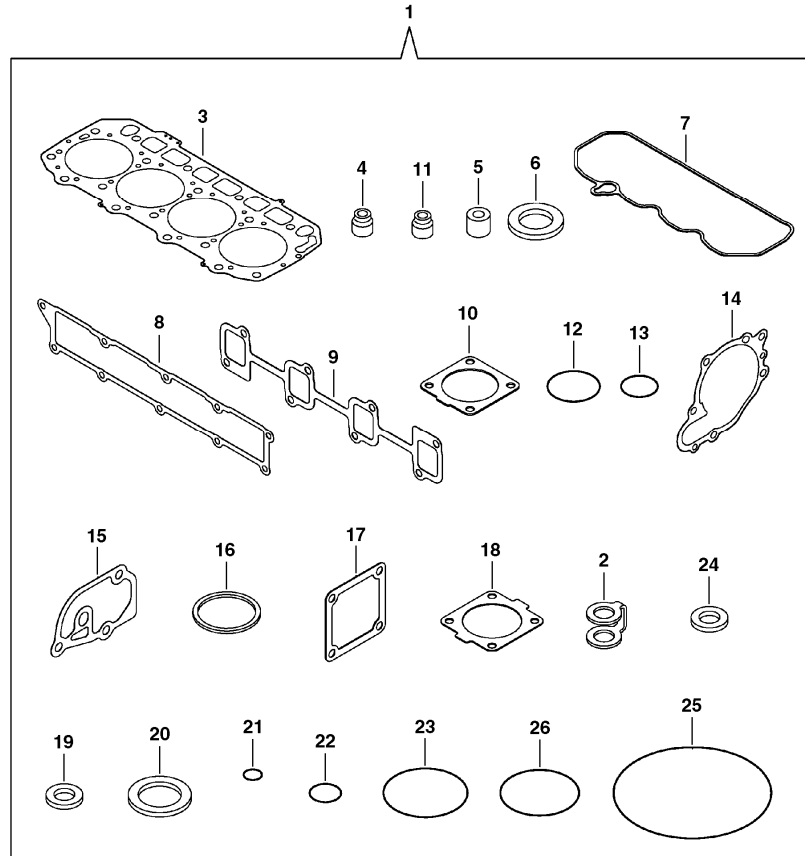
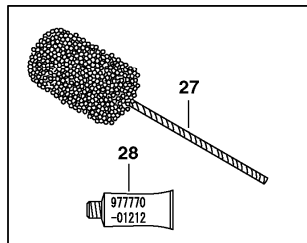
Section option	Kit	Option description
VOE8279041		Engine without Epa label INT AND KOREAN MARKET
VOE8279042		Engine with Epa label EMISSION CERTIFICATED FROM EPA

Q1-Q5	Option	Option description	
Q1 8279041	VOE8279041	Engine without Epa label INT AND KOREAN MARKET	
Q2 8279042	VOE8279042	Engine with Epa label EMISSION CERTIFICATED FROM EPA	

Pos	Part	Q1	Q2	Q3	Q4	Q5	PS	Kit	Description	Option(s)	Remark
1	VOE14530218	1					SS		Engine		Without labels SER NO 10001-10087
	VOE14540752	1							Engine		(VOE14533408) Without labels SER NO 10088-10749
	VOE14540752	1							Engine		Without labels SER NO 10750-11623
	VOE14575309	1							Engine		Without labels SER NO

										11624-
	VOE14530219		1						Engine	With EU and EPA label SER NO 10001-10072
	VOE14533409		1				SS		Engine	With EU and EPA label SER NO 10073-10749
	VOE14540753		1						Engine	With EU and EPA label SER NO 10750-11623
	VOE14575308		1						Engine	With EU and EPA label SER NO 11624-

Date: 2013/12/15	Image id: 1013370	Catalogue: 20044	Model: ECR88
Brand: Volvo	Serial: 10001-14010	Group/Section: 210/200	Title: Repair kits for engine



Volvo Construction
Equipment
1013370

Section option	Kit	Option description
VOE8279041		Engine without Epa label INT AND KOREAN MARKET
VOE8279042		Engine with Epa label EMISSION CERTIFICATED FROM EPA

Q1-Q5	Option	Option description	
Q1 8279041			
Q2 8279042			

Pos	Part	Q1	Q2	Q3	Q4	Q5	PS	Kit	Description	Option(s)	Remark
1	VOE14528170	1	1						Gasket		
2	VOE14521606	1	1						•Gasket		
3	VOE14528161	1	1						•Gasket		
4	VOE14521527	8	8						•Valve seal		
5	VOE14521532	4	4						•Protection		
6	SA8210-08770	1	1				SS		•Seat		
7	VOE14521552	1	1						•Gasket		

<https://www.ebooklibonline.com>

Hello dear friend!

Thank you very much for reading.

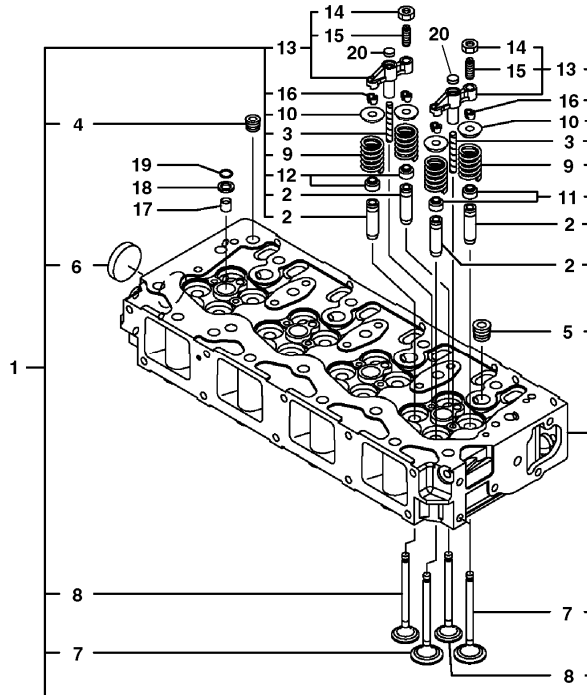
Enter the link into your browser.

The full manual is available for immediate download.

<https://www.ebooklibonline.com>

8	VOE14521554	1	1						•Gasket		
9	VOE11714737	1	1						•Gasket		(SA8210-04570)
10	VOE14520599	2	2						•Gasket		
11	VOE14521528	8	8						•Valve seal		
12	VOE11714738	2	2						•O-ring		(SA8210-04770)
13	VOE11714739	1	1						•O-ring		(SA8210-04780)
14	SA8210-04820	1	1						•Gasket		
15	SA8210-04840	1	1						•Gasket		
16	VOE11714740	1	1						•Gasket		(SA8210-02790)
17	VOE11714741	1	1						•Gasket		(SA8210-02840)
18	SA8210-02780	1	1						•Gasket		
19	VOE11714477	3	3						•Gasket		(SA8210-05580)
20	VOE11714478	2	2						•Gasket		(SA8210-03370)
21	SA8210-08860	1	1						•O-ring		
22	VOE11714386	12	12						•O-ring		(SA8210-08870)
23	VOE11714371	3	3						•O-ring		(SA8210-08880)
24	VOE11714476	7	7						•Sealing washer		(SA8240-01020)
25	VOE14509382	1	1						•O-ring		
26	VOE14521512	1	1						•Wrapping		
27	VOE14525412	1	1						Brush		
28	VOE14543857	1	1						Gasket		(SA8240-02760)

Date: 2013/12/15	Image id: 1013371	Catalogue: 20044	Model: ECR88
Brand: Volvo	Serial: 10001-14010	Group/Section: 211/100	Title: Cylinder head



Volvo Construction
Equipment
1013371

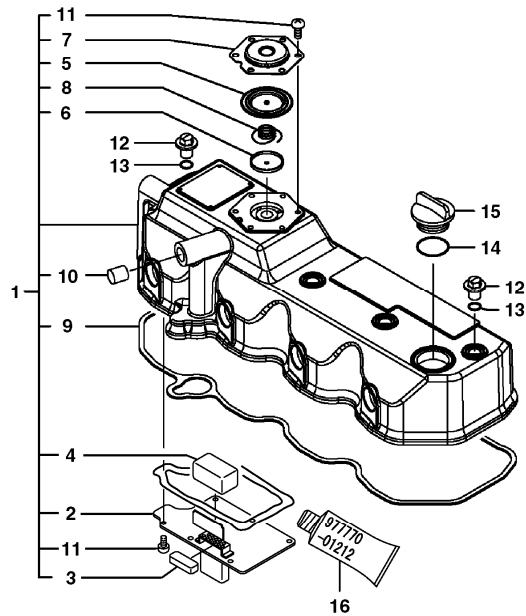
Section option	Kit	Option description
VOE8279041		Engine without Epa label INT AND KOREAN MARKET
VOE8279042		Engine with Epa label EMISSION CERTIFICATED FROM EPA

Q1-Q5	Option	Option description	
Q1 8279041			
Q2 8279042			

Pos	Part	Q1	Q2	Q3	Q4	Q5	PS	Kit	Description	Option(s)	Remark
1	VOE14521519	1	1						Cylinder head		
2	VOE14525388	16	16						•Valve guide		
3	VOE14521521	8	8						•Guide		
4	VOE14521522	1	1						•Plug		
5	VOE14521504	4	4						•Plug		
6	VOE11714379	1	1						•Plug		(SA8210-05840)
7	VOE14521523	8	8						•Inlet valve		INLET VALVE

8	VOE14521524	8	8						•Exhaust valve		EXHAUST VALVE
9	VOE14521525	16	16						•Valve spring		
10	VOE14521526	16	16						•Retainer		
11	VOE14521527	8	8						•Valve seal		INLET
12	VOE14521528	8	8						•Valve seal		EXHAUST
13	VOE14521529	8	8						•Valve guide		
14	VOE11714380	8	8						••Nut		(SA8210-03680)
15	VOE14521530	8	8						••Screw		
16	VOE14521531	16	16						•Valve cone		
17	VOE14521532	4	4						Protection		
18	VOE11714381	4	4						Seat		
19	VOE11714386	4	4						O-ring		(SA8210-08870)
20	VOE14521518	8	8						Seat		

Date: 2013/12/15	Image id: 1013372	Catalogue: 20044	Model: ECR88
Brand: Volvo	Serial: 10001-14010	Group/Section: 211/200	Title: Valve cover



Volvo Construction
Equipment
1013372

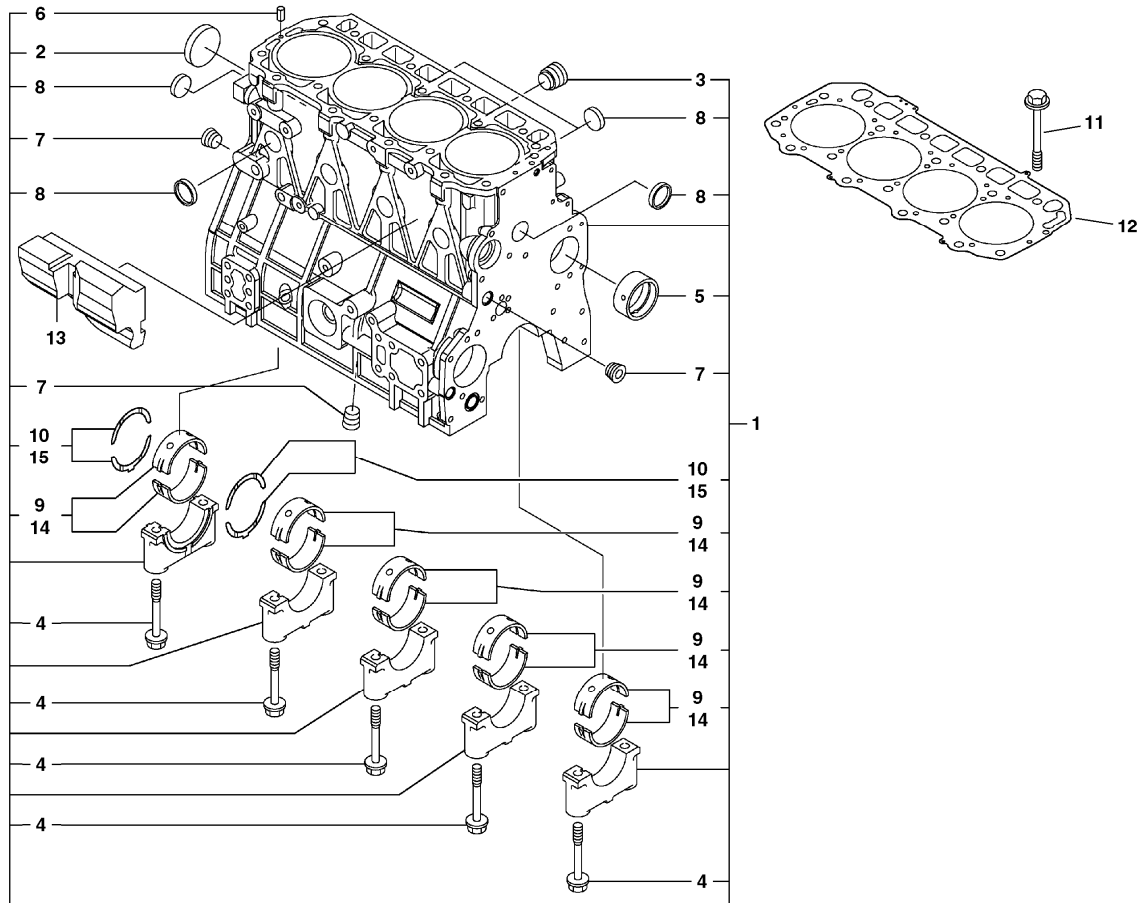
Section option	Kit	Option description
VOE8279041		Engine without Epa label INT AND KOREAN MARKET
VOE8279042		Engine with Epa label EMISSION CERTIFICATED FROM EPA

Q1-Q5	Option	Option description	
Q1 8279041			
Q2 8279042			

Pos	Part	Q1	Q2	Q3	Q4	Q5	PS	Kit	Description	Option(s)	Remark
1	VOE14521544	1	1				SS		Cover		
2	VOE14521545	1	1						•Plate		
3	VOE14521546	1	1						•Baffle		
4	VOE14521547	1	1						•Baffle		
5	VOE14521548	1	1						•Diaphragm		
6	VOE14521549	1	1						•Plate		
7	VOE14521550	1	1						•Plate		

8	VOE14521551	1	1						•Spring		
9	VOE14521552	1	1						•Gasket		
10	VOE14521553	1	1						•Plug		
11	SA8210-08850	12	12						•Screw		
12	VOE11714385	4	4						Flange cap nut		(SA8210-03250)
13	VOE11714386	4	4						O-ring		(SA8210-08870)
14	VOE11714371	1	1						O-ring		(SA8210-08880)
15	VOE11714383	1	1						Cap		(SA8210-03240)
16	VOE14543857	1	1						Gasket		(SA8240-02760)

Date: 2013/12/15	Image id: 1013373	Catalogue: 20044	Model: ECR88
Brand: Volvo	Serial: 10001-14010	Group/Section: 212/100	Title: Cylinder block



Volvo Construction
Equipment
1013373

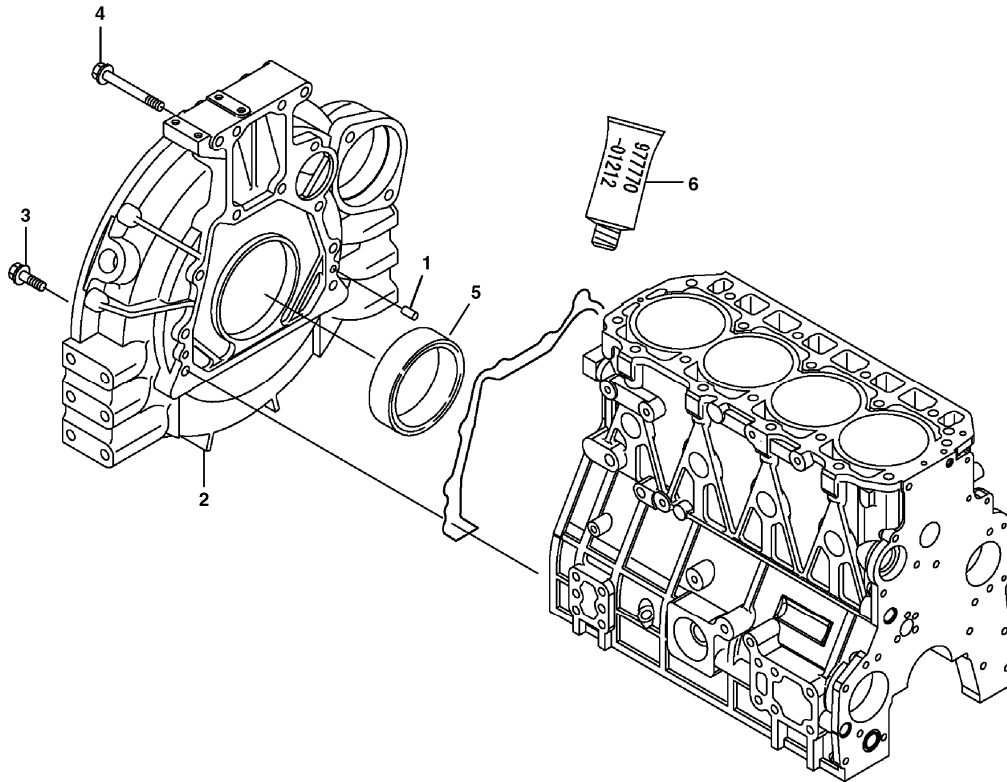
Section option	Kit	Option description
VOE8279041		Engine without Epa label INT AND KOREAN MARKET
VOE8279042		Engine with Epa label EMISSION CERTIFICATED FROM EPA

Q1-Q5	Option	Option description	
Q1 8279041			
Q2 8279042			

Pos	Part	Q1	Q2	Q3	Q4	Q5	PS	Kit	Description	Option(s)	Remark
1	VOE14528159	1	1						Cylinder Block		
2	VOE14521503	1	1						•Plug		
3	SA8210-05320	1	1				SS		•Plug		
4	VOE11714756	10	10						•Screw		(SA8210-04340)
5	VOE11714757	1	1						•Bushing		(SA8210-04360)
6	VOE11714387	2	2						•Spring pin		(SA8240-01340)
7	VOE14521504	1	1						•Plug		

8	VOE11714369	8	8						•Plug		(SA8210-06750)
9	VOE15057722	5	5						•Main bearing kit		(VOE14524620)
10	VOE15057699	2	2						•Thrust washer		(SA8210-04380)
11	VOE11714759	18	18						Screw		(SA8210-04270)
12	VOE14528161	1	1						Gasket		
13	VOE14521506	1	1						Spacer		
14	VOE11714760	5	5						Main bearing		(SA8210-04350)0.25 U SZ
15	VOE11714761	2	2						Thrust washer		(SA8210-04390)0.25 O SZ

Date: 2013/12/15	Image id: 1013374	Catalogue: 20044	Model: ECR88
Brand: Volvo	Serial: 10001-14010	Group/Section: 212/300	Title: Flywheel housing



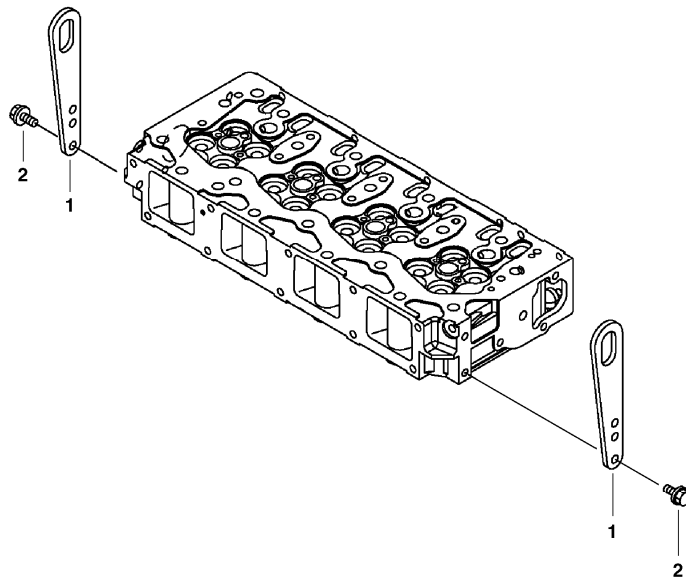
Volvo Construction
Equipment
1013374

Section option	Kit	Option description
VOE8279041		Engine without Epa label INT AND KOREAN MARKET
VOE8279042		Engine with Epa label EMISSION CERTIFICATED FROM EPA

Q1-Q5	Option	Option description	
Q1 8279041			
Q2 8279042			

Pos	Part	Q1	Q2	Q3	Q4	Q5	PS	Kit	Description	Option(s)	Remark
1	VOE11714376	1	1						Pin		(SA8210-03530)
2	VOE11714762	1	1						Flywheel housing		(SA8210-04290)
3	VOE11714763	4	4						Screw		(SA8240-01980)
4	VOE11714764	1	1						Screw		(SA8240-01990)
5	VOE14514458	2	2						Seal		
6	VOE14543857	1	1						Gasket		(SA8240-02760)

Date: 2013/12/15	Image id: 1013375	Catalogue: 20044	Model: ECR88
Brand: Volvo	Serial: 10001-14010	Group/Section: 212/500	Title: Lifting eye



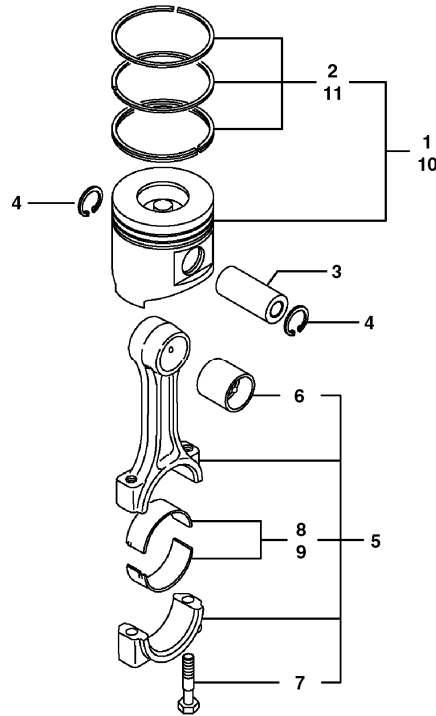
Volvo Construction
Equipment
1013375

Section option	Kit	Option description
VOE8279041		Engine without Epa label INT AND KOREAN MARKET
VOE8279042		Engine with Epa label EMISSION CERTIFICATED FROM EPA

Q1-Q5	Option	Option description	
Q1 8279041			
Q2 8279042			

Pos	Part	Q1	Q2	Q3	Q4	Q5	PS	Kit	Description	Option(s)	Remark
1	VOE11714378	2	2						Lifting bracket		(SA8210-04400)
2	VOE11714372	4	4						Bolt		(SA8240-01680)

Date: 2013/12/15	Image id: 1013376	Catalogue: 20044	Model: ECR88
Brand: Volvo	Serial: 10001-14010	Group/Section: 213/100	Title: Connecting rod and piston



Volvo Construction
Equipment
1013376

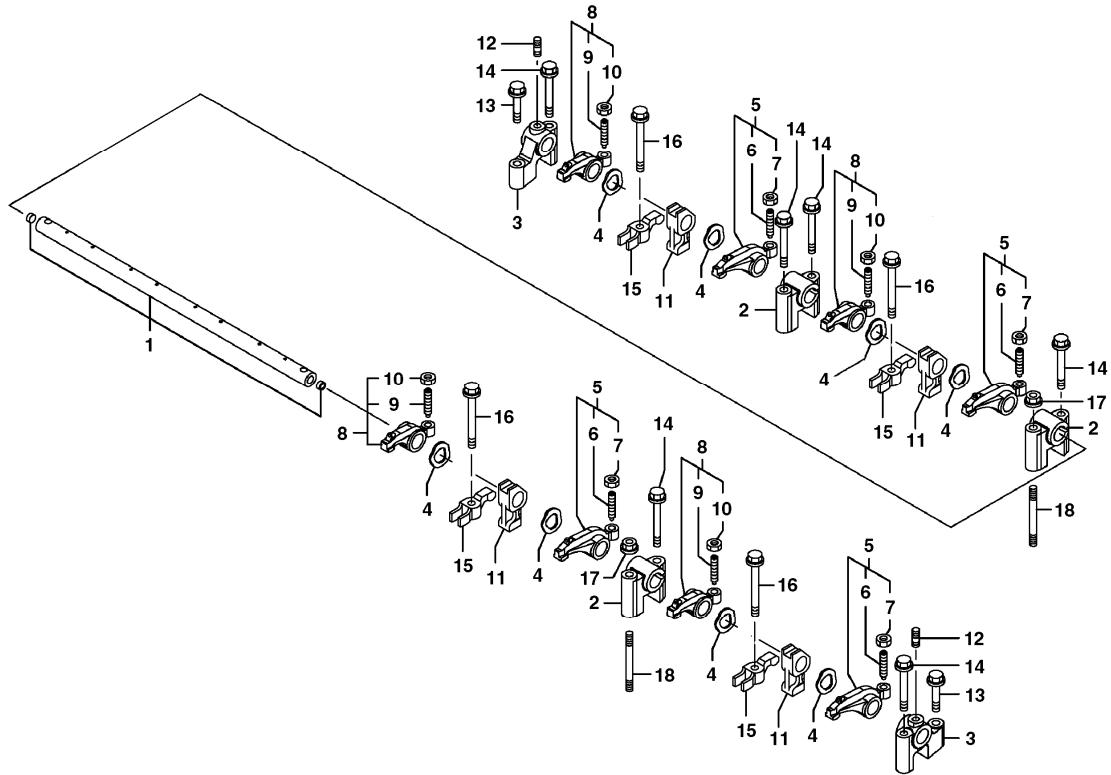
Section option	Kit	Option description
VOE8279041		Engine without Epa label INT AND KOREAN MARKET
VOE8279042		Engine with Epa label EMISSION CERTIFICATED FROM EPA

Q1-Q5	Option	Option description	
Q1 8279041			
Q2 8279042			

Pos	Part	Q1	Q2	Q3	Q4	Q5	PS	Kit	Description	Option(s)	Remark
1	VOE14528162	1	1						Piston		
2	VOE11714796	4	4						•Piston ring kit		
3	VOE11714797	4	4						Gudgeon pin		
4	VOE11714798	8	8						Lock ring		
5	VOE11714799	4	4						Connecting rod		(SA8210-04680)
6	SA8210-04720	1	1						•Bushing		
7	VOE11714801	2	2						•Screw		(SA8210-04690)

8	VOE11714802	1	1						•Piston Bearing		(SA8210-04700)
9	VOE11714803	4	4						Piston Bearing		(SA8210-04710)0.25 U SZ
10	VOE14528163	4	4						Piston		0.25 O SZ
11	VOE11714804	4	4						•Piston		(VOE14528164)0.25 O SZ

Date: 2013/12/15	Image id: 1013377	Catalogue: 20044	Model: ECR88
Brand: Volvo	Serial: 10001-14010	Group/Section: 214/200	Title: Rocker arm



Volvo Construction
Equipment
1013377

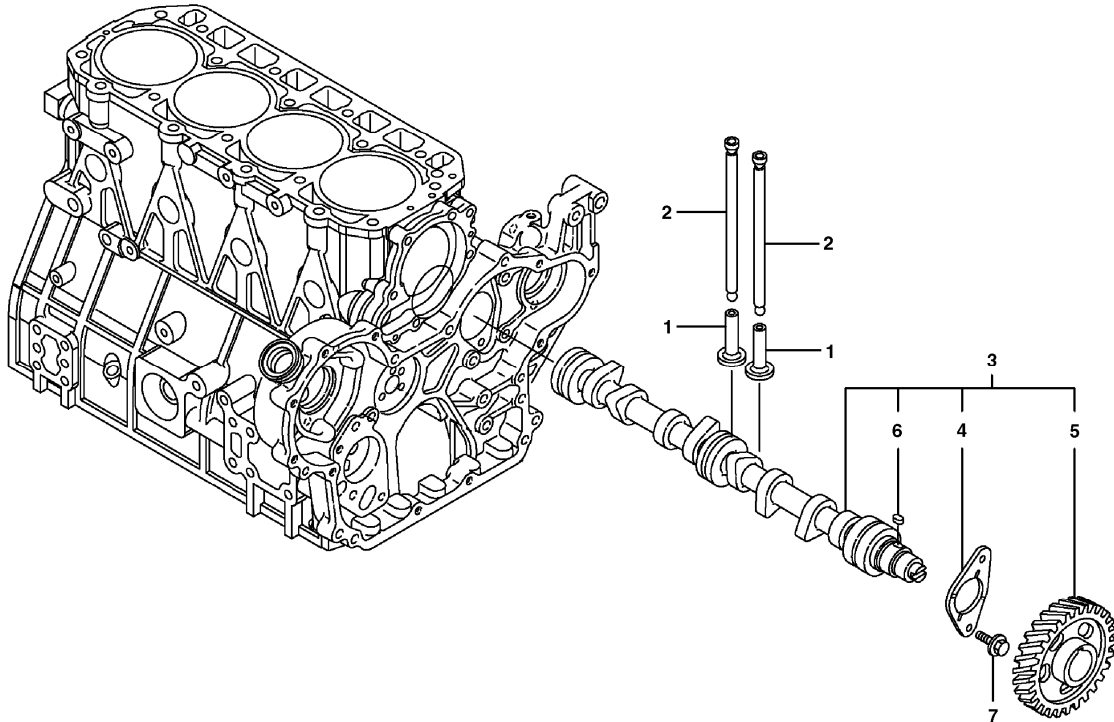
Section option	Kit	Option description
VOE8279041		Engine without Epa label INT AND KOREAN MARKET
VOE8279042		Engine with Epa label EMISSION CERTIFICATED FROM EPA

Q1-Q5	Option	Option description
Q1 8279041		
Q2 8279042		

Pos	Part	Q1	Q2	Q3	Q4	Q5	PS	Kit	Description	Option(s)	Remark
	VOE14525390	1	1						Valve		
1	VOE14521535	1	1						•Rocker arm		
2	VOE14521536	3	3						•Support		
3	VOE14521537	2	2						•Support		
4	VOE14521538	8	8						•Spring washer		
5	VOE14521539	4	4						•Rocker arm		
6	SA8210-03660	1	1						••Screw		

7	VOE11714380	1	1						••Nut		(SA8210-03680)
8	VOE14521540	4	4						•Rocker arm		
9	SA8210-03660	1	1						••Screw		
10	VOE11714380	1	1						••Nut		(SA8210-03680)
11	VOE14525391	4	4						•Retainer		
12	VOE14521542	2	2						•Bolt		
13	VOE11714487	2	2						Bolt		(SA8240-01710)
14	VOE11714494	6	6						Bolt		
15	VOE14525392	4	4						Retainer		
16	VOE14525393	4	4						Flange screw		
17	VOE14521543	2	2						Nut		
18	VOE14525389	2	2						Bolt		

Date: 2013/12/15	Image id: 1013378	Catalogue: 20044	Model: ECR88
Brand: Volvo	Serial: 10001-14010	Group/Section: 215/100	Title: Camshaft



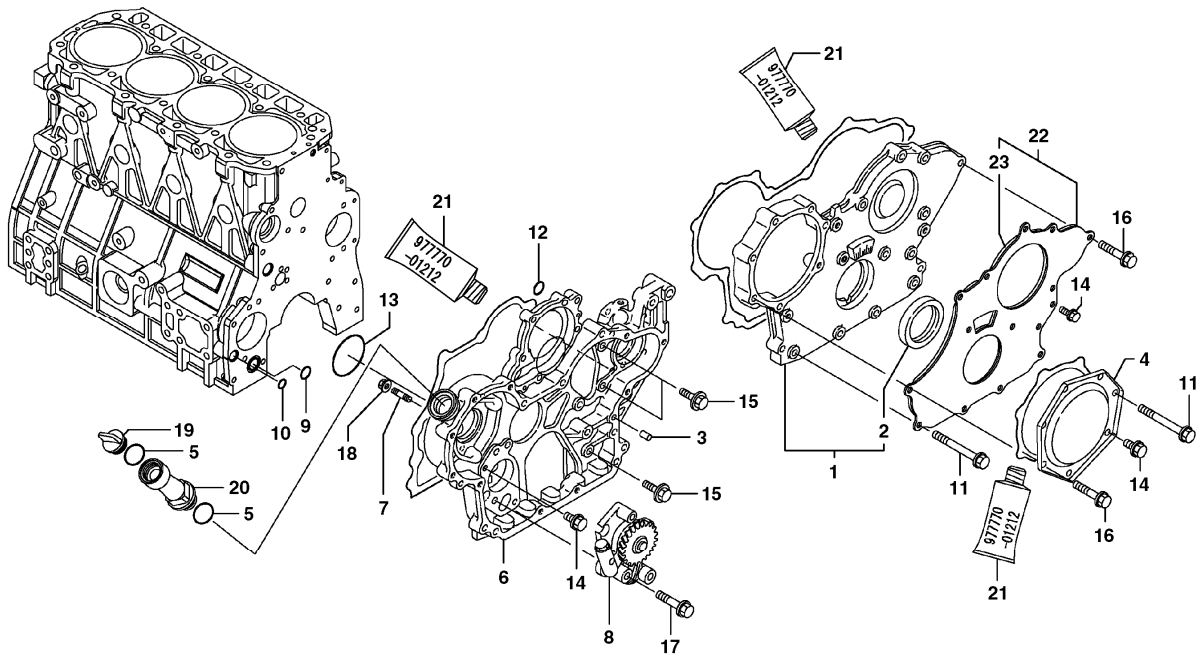
Volvo Construction
Equipment
1013378

Section option	Kit	Option description
VOE8279041		Engine without Epa label INT AND KOREAN MARKET
VOE8279042		Engine with Epa label EMISSION CERTIFICATED FROM EPA

Q1-Q5	Option	Option description	
Q1 8279041			
Q2 8279042			

Pos	Part	Q1	Q2	Q3	Q4	Q5	PS	Kit	Description	Option(s)	Remark
1	VOE11714485	8	8						Tappet		
2	VOE14521559	8	8						Push rod		
3	VOE14521560	1	1						Camshaft		
4	SA8210-03640	1	1						•Bearing		
5	SA8210-04580	1	1						•Gear		
6	SA8210-05520	1	1						•Key		
7	VOE11714372	2	2						Bolt		(SA8240-01680)

Date: 2013/12/15	Image id: 1013379	Catalogue: 20044	Model: ECR88
Brand: Volvo	Serial: 10001-14010	Group/Section: 215/200	Title: Timing gear casing



Volvo Construction
Equipment
1013379

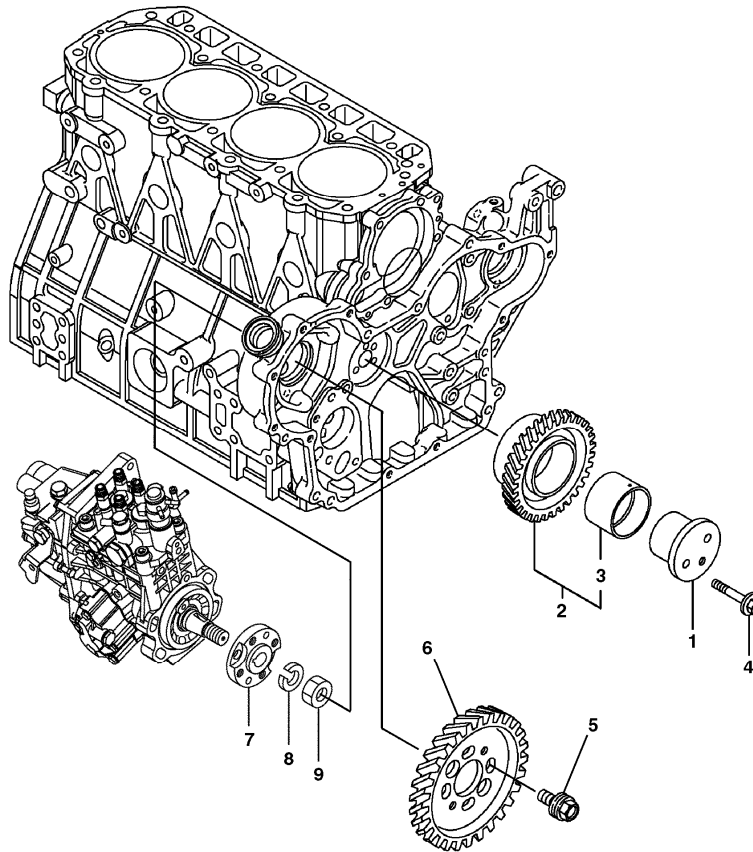
Section option	Kit	Option description
VOE8279041		Engine without Epa label INT AND KOREAN MARKET
VOE8279042		Engine with Epa label EMISSION CERTIFICATED FROM EPA

Q1-Q5	Option	Option description	
Q1 8279041			
Q2 8279042			

Pos	Part	Q1	Q2	Q3	Q4	Q5	PS	Kit	Description	Option(s)	Remark
1	VOE14521507	1	1						Housing		
2	VOE14514867	1	1						•Sealing		
3	VOE11714376	4	4						Pin		(SA8210-03530)
4	VOE11714746	1	1						Cover		
5	VOE11714371	2	2						O-ring		(SA8210-08880)
6	VOE14524622	1	1						Housing		
7	SA8240-02060	4	4						Stud		

8	VOE14525387	1	1						Pump		
9	VOE11714738	1	1						O-ring		
10	VOE11714739	1	1						O-ring		
11	VOE14521510	7	7						Bolt		
12	SA8210-08860	1	1						O-ring		
13	VOE14521512	1	1						Wrapping		
14	VOE11714372	5	5						Bolt		(SA8240-01680)
15	VOE11714388	3	3						Bolt		(SA8240-01700)
16	VOE11714487	10	10						Bolt		(SA8240-01710)
17	VOE11714377	3	3						Bolt		(SA8240-01720)
18	VOE14521513	4	4						Nut		
19	VOE11714383	1	1						Cap		(SA8210-03240)
20	SA8210-05300	1	1						Pipe		
21	VOE14543857	1	1						Gasket		(SA8240-02760)
22	VOE14521515	1	1						Cover		
23	VOE14521516	1	1						•Sponge		

Date: 2013/12/15	Image id: 1013380	Catalogue: 20044	Model: ECR88
Brand: Volvo	Serial: 10001-14010	Group/Section: 215/250	Title: Timing gear



Volvo Construction
Equipment
1013380

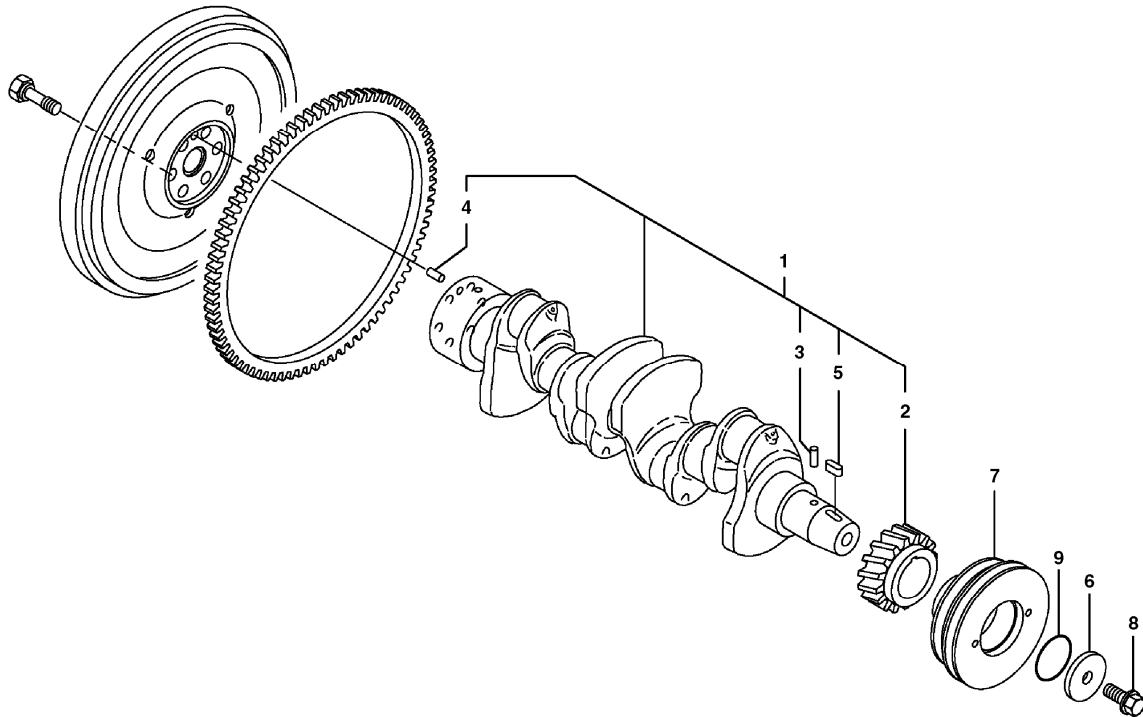
Section option	Kit	Option description
VOE8279041		Engine without Epa label INT AND KOREAN MARKET
VOE8279042		Engine with Epa label EMISSION CERTIFICATED FROM EPA

Q1-Q5	Option	Option description	
Q1 8279041			
Q2 8279042			

Pos	Part	Q1	Q2	Q3	Q4	Q5	PS	Kit	Description	Option(s)	Remark
1	VOE14521561	1	1						Shaft		
2	VOE11714785	1	1						Gear		
3	SA8210-03700	1	1						Bushing		
4	VOE11714373	3	3						Bolt		(SA8240-01730)
5	VOE14521562	4	4						Bolt		
6	VOE14521563	1	1						Gear		
7	VOE14525395	1	1						Flange		

8	SA8240-01070	1	1					Spring Washer		
9	VOE11714789	1	1					Nut		(SA8240-02230)

Date: 2013/12/15	Image id: 1013381	Catalogue: 20044	Model: ECR88
Brand: Volvo	Serial: 10001-14010	Group/Section: 216/100	Title: Crankshaft



Volvo Construction
Equipment
1013381

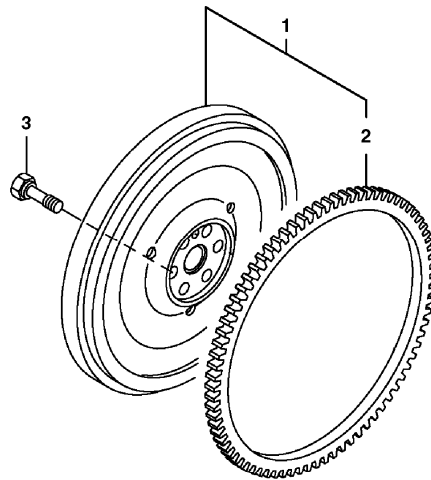
Section option	Kit	Option description
VOE8279041		Engine without Epa label INT AND KOREAN MARKET
VOE8279042		Engine with Epa label EMISSION CERTIFICATED FROM EPA

Q1-Q5	Option	Option description	
Q1 8279041			
Q2 8279042			

Pos	Part	Q1	Q2	Q3	Q4	Q5	PS	Kit	Description	Option(s)	Remark
1	VOE14521564	1	1						Crankshaft		
2	VOE11714790	1	1						•Crankshaft gear		
3	VOE11714791	1	1						•Guide pin		
4	VOE11714792	1	1						•Guide pin		
5	SA8210-05520	1	1						•Key		
6	VOE14509381	1	1						Washer		
7	VOE14517628	1	1						Pulley		

8	VOE14517969	1	1						Bolt		
9	VOE14509382	1	1						O-ring		

Date: 2013/12/15	Image id: 1013382	Catalogue: 20044	Model: ECR88
Brand: Volvo	Serial: 10001-14010	Group/Section: 216/200	Title: Flywheel



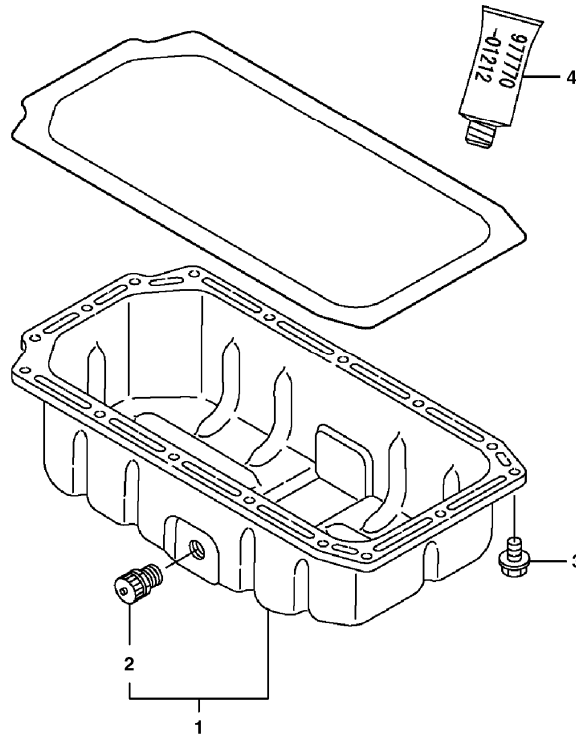
Volvo Construction
Equipment
1013382

Section option	Kit	Option description
VOE8279041		Engine without Epa label INT AND KOREAN MARKET
VOE8279042		Engine with Epa label EMISSION CERTIFICATED FROM EPA

Q1-Q5	Option	Option description	
Q1 8279041			
Q2 8279042			

Pos	Part	Q1	Q2	Q3	Q4	Q5	PS	Kit	Description	Option(s)	Remark
1	VOE14500479	1	1						Flywheel		
2	VOE11714795	1	1						•Gear ring		
3	VOE11714793	6	6						Screw		(SA8210-02690)

Date: 2013/12/15	Image id: 1013383	Catalogue: 20044	Model: ECR88
Brand: Volvo	Serial: 10001-14010	Group/Section: 217/100	Title: Oil sump



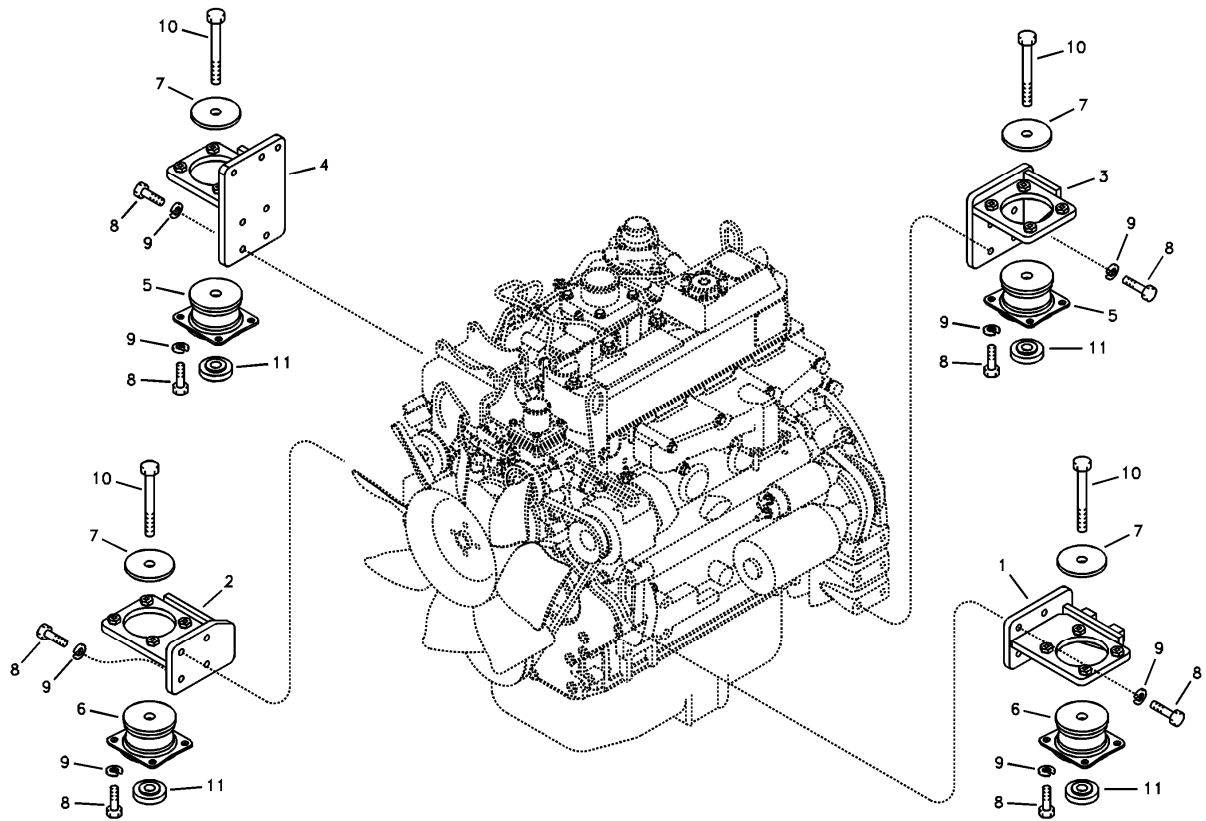
Volvo Construction
Equipment
1013383

Section option	Kit	Option description
VOE8279041		Engine without Epa label INT AND KOREAN MARKET
VOE8279042		Engine with Epa label EMISSION CERTIFICATED FROM EPA

Q1-Q5	Option	Option description	
Q1 8279041			
Q2 8279042			

Pos	Part	Q1	Q2	Q3	Q4	Q5	PS	Kit	Description	Option(s)	Remark
1	VOE14524469	1	1						Oil Pan		
2	VOE14521185	1	1						•Valve		
3	VOE11714490	16	16						Bolt		(SA8240-01670)
4	VOE14543857	1	1						Gasket		(SA8240-02760)

Date: 2013/12/15	Image id: 1013384	Catalogue: 20044	Model: ECR88
Brand: Volvo	Serial: 10001-14010	Group/Section: 218/100	Title: Engine mount



Volvo Construction
Equipment
1013384

Section option	Kit	Option description
VOE8278985		Basic Machine ECR88

Q1-Q5	Option	Option description	
Q1 8278985	VOE8278985	Basic Machine ECR88	

Pos	Part	Q1	Q2	Q3	Q4	Q5	PS	Kit	Description	Option(s)	Remark
1	VOE14526768	1							Bracket		Front LH
2	VOE14528909	1							Bracket		Front RH SER NO 10001-10749
	VOE14526767	1							Bracket		Front RH SER NO 10750-
3	VOE14519051	1							Bracket		Rear LH
4	VOE14526105	1							Bracket		Rear RH
5	VOE14592731	2							Cushion		(SA1112-30340)
6	VOE14592730	2							Cushion		(SA1112-30350)



Suggest:

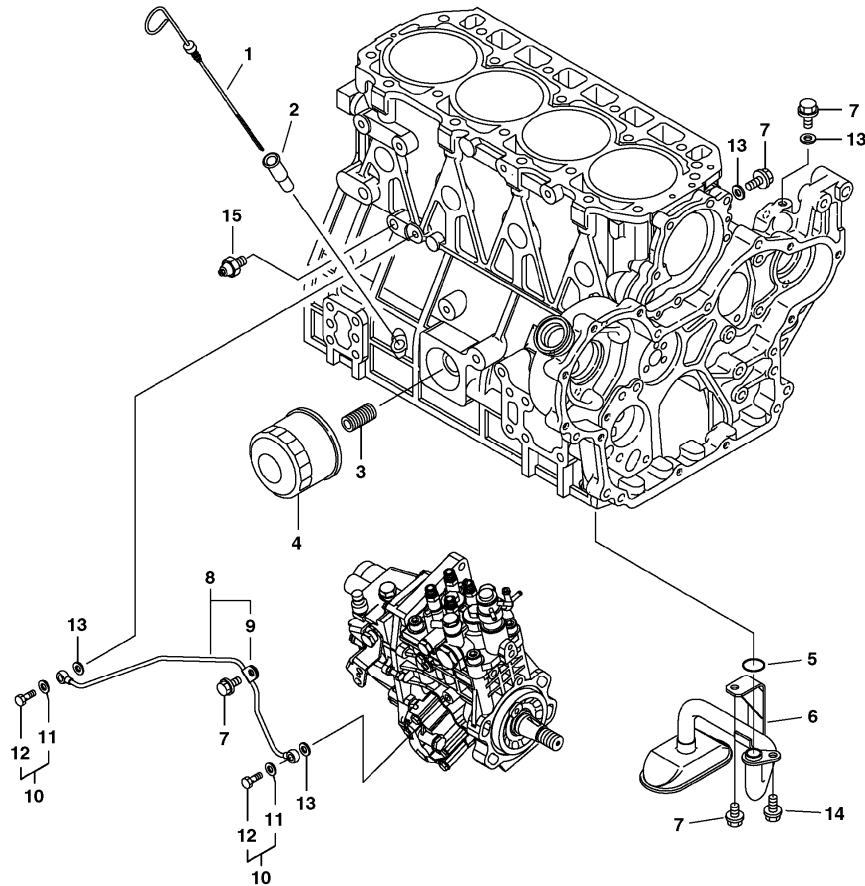
For more complete manuals. Please go to the home page.

<https://www.ebooklibonline.com>

If the above button click is invalid. Please download this document first, and then click the above link to download the complete manual.

Thank you so much for reading

Date: 2013/12/15	Image id: 1013385	Catalogue: 20044	Model: ECR88
Brand: Volvo	Serial: 10001-14010	Group/Section: 220/300	Title: Lubricating oil system



Volvo Construction
Equipment
1013385

Section option	Kit	Option description
VOE8279041		Engine without Epa label INT AND KOREAN MARKET
VOE8279042		Engine with Epa label EMISSION CERTIFICATED FROM EPA

Q1-Q5	Option	Option description	
Q1 8279041			
Q2 8279042			

Pos	Part	Q1	Q2	Q3	Q4	Q5	PS	Kit	Description	Option(s)	Remark
1	VOE14524359	1	1						Dipstick		
2	VOE11715318	1	1						Dipstick tube		
3	VOE11714907	1	1						Fitting		(SA8210-00920)
4	VOE14525396	1	1				SS		Filter		
5	VOE11714738	1	1						O-ring		(SA8210-04770)
6	VOE14525397	1	1						Oil pipe		
7	VOE11714490	4	4						Bolt		(SA8240-01670)

8	VOE14528165	1	1				SS		Pipe		
9	VOE14528166	1	1				SS		•Support		
10	VOE14521571	2	2						Bolt		
11	VOE11714476	1	1						•Sealing washer		(SA8240-01020)
12	SA8210-05600	1	1						•Bolt		
13	VOE11714476	4	4						Sealing washer		(SA8240-01020)
14	VOE11714372	1	1						Bolt		(SA8240-01680)
15	VOE14520582	1	1						Switch		

<https://www.ebooklibonline.com>

Hello dear friend!

Thank you very much for reading.

Enter the link into your browser.

The full manual is available for immediate download.

<https://www.ebooklibonline.com>