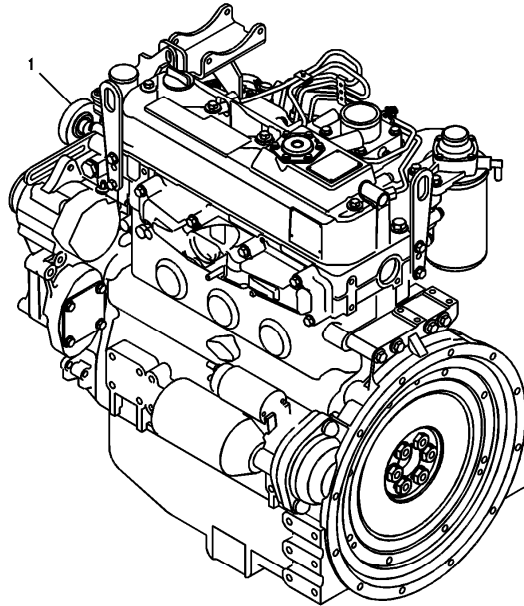


Date: 2013/12/16	Image id: 1010721	Catalogue: 20043	Model: ECR58
Brand: Volvo	Serial: 10001-	Group/Section: 210/100	Title: Engine



Volvo Construction
Equipment
1010721

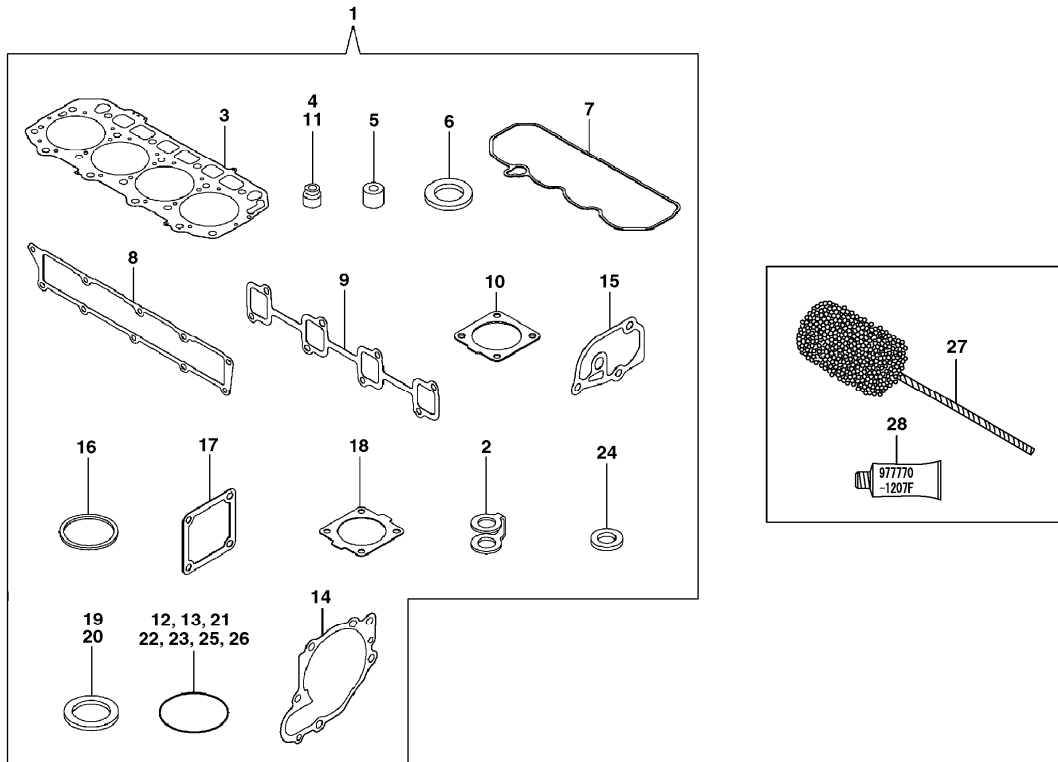
Section option	Kit	Option description
VOE8279150		Engine without Epa label INT AND KOREAN MARKET
VOE8279151		Engine with Epa label EMISSION CERTIFICATED FROM EPA

Q1-Q5	Option	Option description	
Q1 8279150	VOE8279150	Engine without Epa label INT AND KOREAN MARKET	
Q2 8279151	VOE8279151	Engine with Epa label EMISSION CERTIFICATED FROM EPA	

Pos	Part	Q1	Q2	Q3	Q4	Q5	PS	Kit	Description	Option(s)	Remark
1	VOE14526772	1							Engine		WITH KOREA LABEL SER NO 10001-10212
	VOE14533410	1					SS		Engine		WITH KOREA LABEL SER NO 10213-10733
	VOE14551870	1							Engine		(VOE14540754)WITH KOREA LABEL SER NO 10734-11267
	VOE14575310	1							Engine		WITH KOREA LABEL

										SER NO 11268-
	VOE14526771		1				SS		Engine	WITH EPA LABEL SER NO 10001-10212
	VOE14533411		1						Engine	WITH EPA LABEL SER NO 10213-10733
	VOE14540755		1						Engine	WITH EPA LABEL SER NO 10734-12191
	VOE14570775		1						Engine	WITH EPA LABEL SER NO 12192-

Date: 2013/12/16	Image id: 1018694	Catalogue: 20043	Model: ECR58
Brand: Volvo	Serial: 10001-	Group/Section: 210/200	Title: Repair kits for engine



Volvo Construction
Equipment
1018694

Section option	Kit	Option description
VOE8279150		Engine without Epa label INT AND KOREAN MARKET
VOE8279151		Engine with Epa label EMISSION CERTIFICATED FROM EPA

Q1-Q5	Option	Option description	
Q1 8279150	VOE8279150	Engine without Epa label INT AND KOREAN MARKET	
Q2 8279151	VOE8279151	Engine with Epa label EMISSION CERTIFICATED FROM EPA	

Pos	Part	Q1	Q2	Q3	Q4	Q5	PS	Kit	Description	Option(s)	Remark
1	VOE14525411	1	1						Gasket		SER NO 10001-10733
	VOE14543926	1	1						Gasket		SER NO 10734-
2	VOE14521606	5	5						•Gasket		
3	VOE14524621	1	1						•Gasket		
4	VOE14521527	8	8						•Valve seal		
5	VOE14521532	4	4						•Protection		
6	SA8210-08770	4	4				SS		•Seat		SER NO 10001-10733

<https://www.ebooklibonline.com>

Hello dear friend!

Thank you very much for reading.

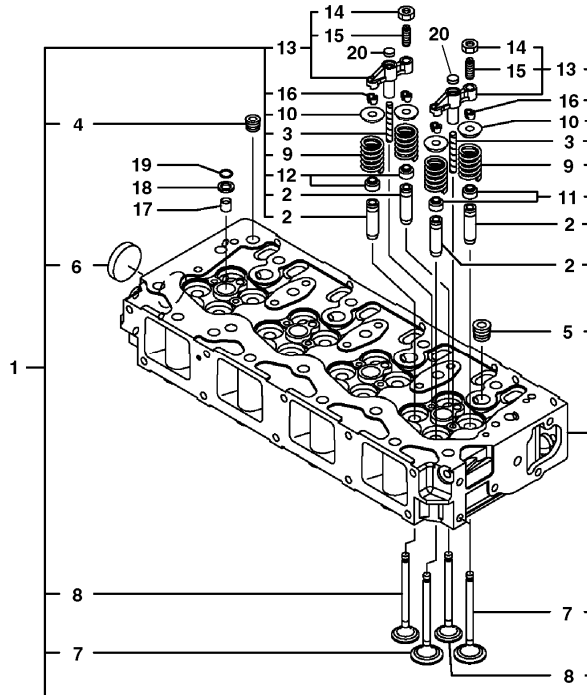
Enter the link into your browser.

The full manual is available for immediate download.

<https://www.ebooklibonline.com>

	SA8210-01990	4	4						•Seat		SER NO 10734-
7	VOE14521552	1	1						•Gasket		
8	VOE14521554	1	1						•Gasket		
9	VOE11714737	1	1						•Gasket		(SA8210-04570)
10	VOE14520599	2	2						•Gasket		SER NO 10001-10733
	VOE11714614	2	2						•Gasket		SER NO 10734-
11	VOE14521528	8	8						•Valve seal		
12	VOE11714738	2	2						•O-ring		(SA8210-04770)
13	VOE11714739	1	1						•O-ring		(SA8210-04780)
14	SA8210-04820	1	1						•Gasket		
15	SA8210-04840	1	1						•Gasket		
16	VOE11714740	1	1						•Gasket		(SA8210-02790)
17	VOE11714741	1	1						•Gasket		(SA8210-02840)
18	SA8210-02780	1	1						•Gasket		
19	VOE11714477	3	3						•Gasket		(SA8210-05580)SER NO 10001-10733
	VOE11714477	3	3						•Gasket		SER NO 10734-
20	VOE11714478	2	2						•Gasket		(SA8210-03370)SER NO 10001-10733
	VOE11714478	2	2						•Gasket		SER NO 10734-
21	SA8210-08860	1	1						•O-ring		
22	VOE11714386	8	8						•O-ring		(SA8210-08870)
23	VOE11714371	3	3						•O-ring		(SA8210-08880)SER NO 10001-10733
	VOE11714371	3	3						•O-ring		SER NO 10734-
24	VOE11714476	7	7						•Sealing washer		(SA8240-01020)SER NO 10001-10733
	VOE11714476	7	7						•Sealing washer		SER NO 10734-
25	VOE14509382	1	1						•O-ring		
26	VOE14521512	1	1						•Wrapping		
27	VOE14525412	1	1						Brush		
28	VOE14543857	1	1						Gasket		(SA8240-02760)SER NO 10001-10733
	VOE14543857	1	1						Gasket		SER NO 10734-

Date: 2013/12/16	Image id: 1011712	Catalogue: 20043	Model: ECR58
Brand: Volvo	Serial: 10001-	Group/Section: 211/100	Title: Cylinder head



Volvo Construction
Equipment
1011712

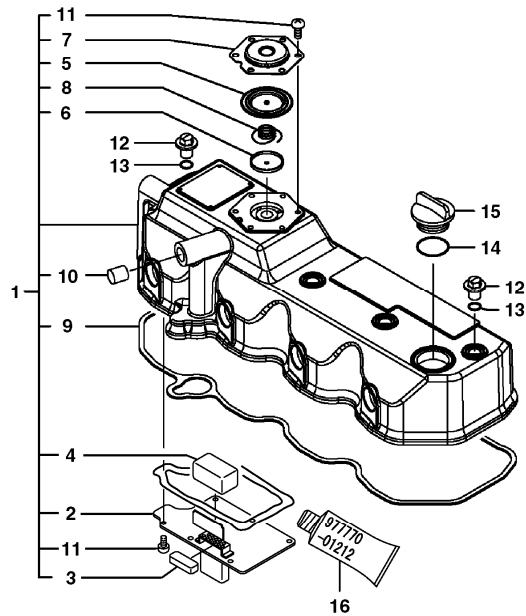
Section option	Kit	Option description
VOE8279150		Engine without Epa label INT AND KOREAN MARKET
VOE8279151		Engine with Epa label EMISSION CERTIFICATED FROM EPA

Q1-Q5	Option	Option description	
Q1 8279150	VOE8279150	Engine without Epa label INT AND KOREAN MARKET	
Q2 8279151	VOE8279151	Engine with Epa label EMISSION CERTIFICATED FROM EPA	

Pos	Part	Q1	Q2	Q3	Q4	Q5	PS	Kit	Description	Option(s)	Remark
1	VOE14521519	1	1						Cylinder head		
2	VOE14525388	8	8						•Valve guide		
3	VOE14521521	8	8						•Guide		
4	VOE14521522	1	1						•Plug		
5	VOE14521504	4	4						•Plug		
6	VOE11714379	1	1						•Plug		(SA8210-05840)SER NO 10001-10733

	VOE11714379	1	1						•Plug		SER NO 10734-
7	VOE14521523	8	8						•Inlet valve		
8	VOE14521524	8	8						•Exhaust valve		
9	VOE14521525	16	16						•Valve spring		
10	VOE14521526	16	16						•Retainer		
11	VOE14521527	8	8						•Valve seal		
12	VOE14521528	8	8						•Valve seal		
13	VOE14521529	8	8						•Valve guide		
14	VOE11714380	8	8						••Nut		(SA8210-03680)SER NO 10001-10733
	VOE11714380	8	8						••Nut		SER NO 10734-
15	VOE14521530	8	8						••Screw		
16	VOE14521531	16	16						•Valve cone		
17	VOE14521532	4	4						Protection		
18	SA8210-08770	4	4				SS		Seat		SER NO 10001-10733
	SA8210-01990	4	4						Seat		SER NO 10734-
19	VOE11714386	4	4						O-ring		(SA8210-08870)
20	VOE14521518	8	8						Seat		

Date: 2013/12/16	Image id: 1010716	Catalogue: 20043	Model: ECR58
Brand: Volvo	Serial: 10001-	Group/Section: 211/200	Title: Valve cover



Volvo Construction
Equipment
1010716

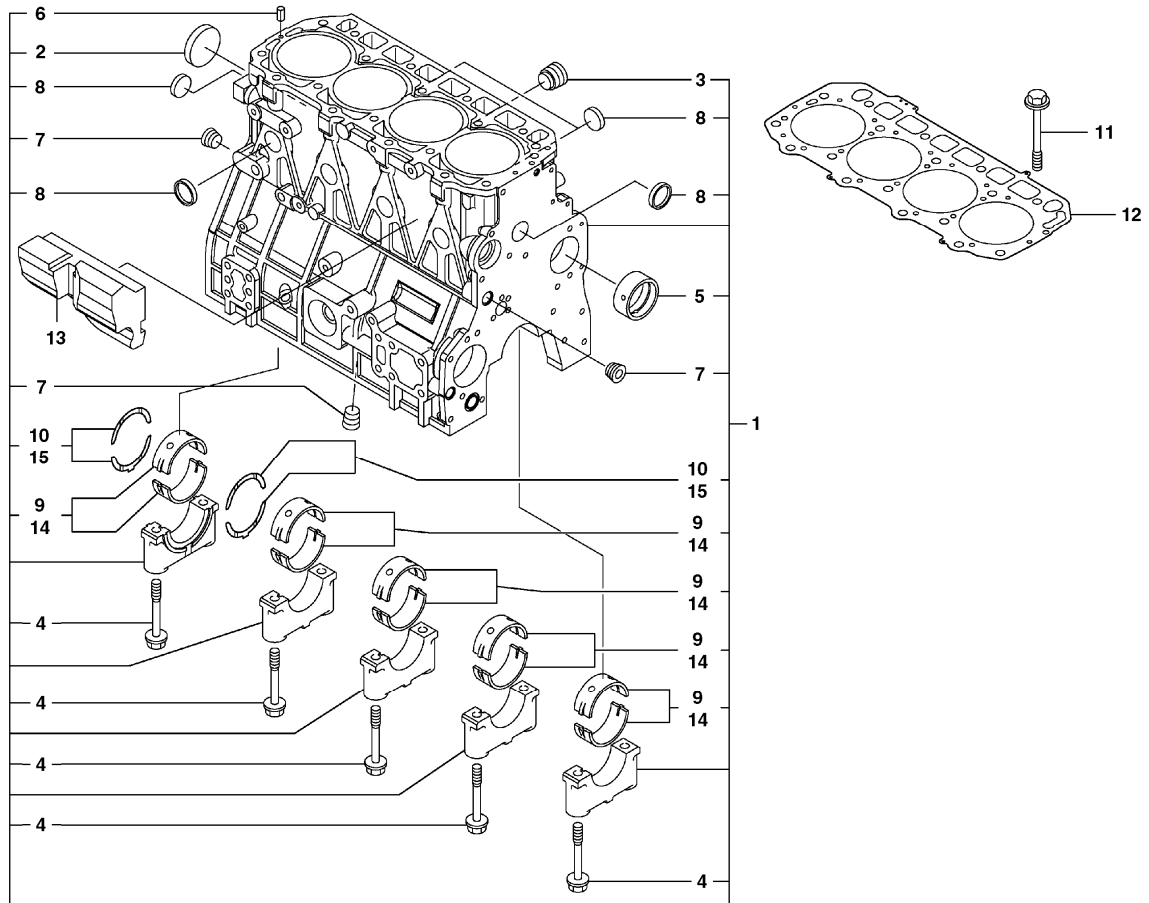
Section option	Kit	Option description
VOE8279150		Engine without Epa label INT AND KOREAN MARKET
VOE8279151		Engine with Epa label EMISSION CERTIFICATED FROM EPA

Q1-Q5	Option	Option description	
Q1 8279150	VOE8279150	Engine without Epa label INT AND KOREAN MARKET	
Q2 8279151	VOE8279151	Engine with Epa label EMISSION CERTIFICATED FROM EPA	

Pos	Part	Q1	Q2	Q3	Q4	Q5	PS	Kit	Description	Option(s)	Remark
1	VOE14521544	1	1				SS		Cover		SER NO 10001-10733
	VOE14533736	1	1						Cover		SER NO 10734-
2	VOE14521545	1	1						•Plate		SER NO 10001-10733
	VOE11714770	1	1				NS		•Plate		SER NO 10734-
3	VOE14521546	1	1						•Baffle		SER NO 10001-10733
	VOE11714771	1	1				NS		•Baffle		SER NO 10734-
4	VOE14521547	1	1						•Baffle		

5	VOE14521548	1	1						•Diaphragm		
6	VOE14521549	1	1						•Plate		
7	VOE14521550	1	1						•Plate		
8	VOE14521551	1	1						•Spring		
9	VOE14521552	1	1						•Gasket		
10	VOE14521553	1	1						•Plug		
11	SA8210-08850	12	12						•Screw		
12	VOE11714385	4	4						Flange cap nut		(SA8210-03250)SER NO 10001-10733
	VOE11714385	4	4						Flange cap nut		SER NO 10734-
13	VOE11714386	4	4						O-ring		(SA8210-08870)
14	VOE11714371	1	1						O-ring		(SA8210-08880)SER NO 10001-10733
	VOE11714371	1	1						O-ring		SER NO 10734-
15	VOE11714383	1	1						Cap		(SA8210-03240)SER NO 10001-10733
	VOE11714383	1	1						Cap		SER NO 10734-
16	VOE14543857	1	1						Gasket		(SA8240-02760)SER NO 10001-10733
	VOE14543857	1	1						Gasket		SER NO 10734-

Date: 2013/12/16	Image id: 1006953	Catalogue: 20043	Model: ECR58
Brand: Volvo	Serial: 10001-	Group/Section: 212/100	Title: Cylinder block



Volvo Construction
Equipment
1006953

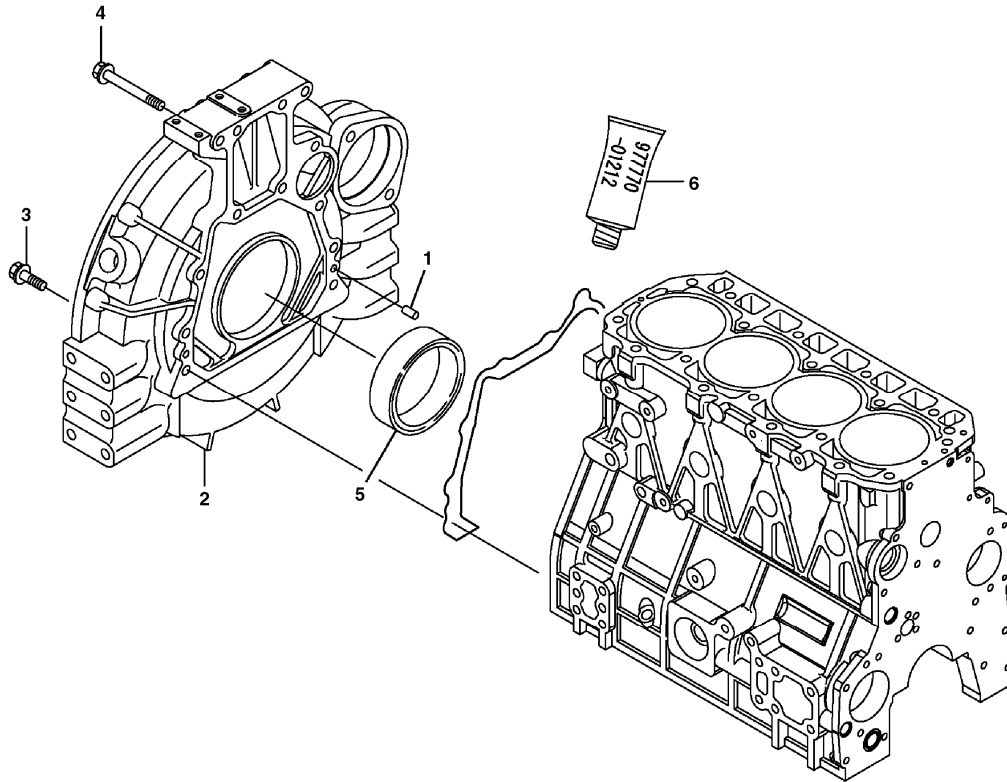
Section option	Kit	Option description
VOE8279150		Engine without Epa label INT AND KOREAN MARKET
VOE8279151		Engine with Epa label EMISSION CERTIFICATED FROM EPA

Q1-Q5	Option	Option description	
Q1 8279150	VOE8279150	Engine without Epa label INT AND KOREAN MARKET	
Q2 8279151	VOE8279151	Engine with Epa label EMISSION CERTIFICATED FROM EPA	

Pos	Part	Q1	Q2	Q3	Q4	Q5	PS	Kit	Description	Option(s)	Remark
1	VOE15067547	1	1						Cylinder block		(VOE14521502)
2	VOE14521503	1	1						•Plug		
3	SA8210-05320	1	1				SS		•Plug		
4	VOE11714756	10	10						•Screw		(SA8210-04340)
5	VOE11714757	1	1						•Bushing		(SA8210-04360)
6	VOE11714387	2	2						•Spring pin		(SA8240-01340)SER NO 10001-10733

	VOE11714387	2	2						•Spring pin		SER NO 10734-
7	VOE14521504	3	3						•Plug		
8	VOE11714369	8	8						•Plug		(SA8210-06750)SER NO 10001-10733
	VOE11714369	8	8						•Plug		SER NO 10734-
9	VOE15057722	5	5						•Main bearing kit		(VOE14524620)
10	VOE15057699	2	2						•Thrust washer		(SA8210-04380)
11	VOE11714759	18	18						Screw		(SA8210-04270)
12	VOE14524621	1	1						Gasket		
13	VOE14521506	1	1						Spacer		
14	VOE11714760	5	5						Main bearing		(SA8210-04350)0.25 U SZ
15	VOE11714761	2	2						Thrust washer		(SA8210-04390)0.25 O SZ

Date: 2013/12/16	Image id: 1006954	Catalogue: 20043	Model: ECR58
Brand: Volvo	Serial: 10001-	Group/Section: 212/300	Title: Flywheel housing



Volvo Construction
Equipment
1006954

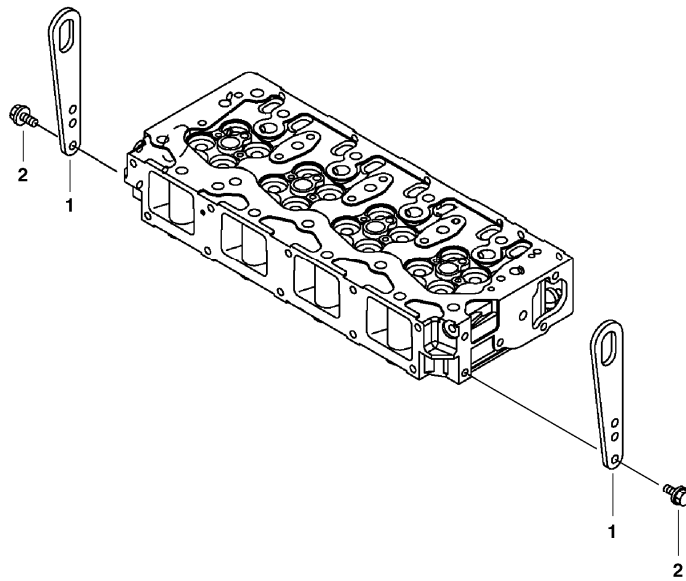
Section option	Kit	Option description
VOE8279150		Engine without Epa label INT AND KOREAN MARKET
VOE8279151		Engine with Epa label EMISSION CERTIFICATED FROM EPA

Q1-Q5	Option	Option description	
Q1 8279150	VOE8279150	Engine without Epa label INT AND KOREAN MARKET	
Q2 8279151	VOE8279151	Engine with Epa label EMISSION CERTIFICATED FROM EPA	

Pos	Part	Q1	Q2	Q3	Q4	Q5	PS	Kit	Description	Option(s)	Remark
1	VOE11714376	2	2						Pin		(SA8210-03530)SER NO 10001-10733
	VOE11714376	2	2						Pin		SER NO 10734-
2	VOE11714762	1	1						Flywheel housing		(SA8210-04290)
3	VOE11714763	9	9						Screw		(SA8240-01980)
4	VOE11714764	4	4						Screw		(SA8240-01990)
5	VOE14514458	1	1						Seal		

6	VOE14543857	1	1						Gasket		(SA8240-02760)SER NO 10001-10733
	VOE14543857	1	1						Gasket		SER NO 10734-

Date: 2013/12/16	Image id: 1006955	Catalogue: 20043	Model: ECR58
Brand: Volvo	Serial: 10001-	Group/Section: 212/500	Title: Lifting eye



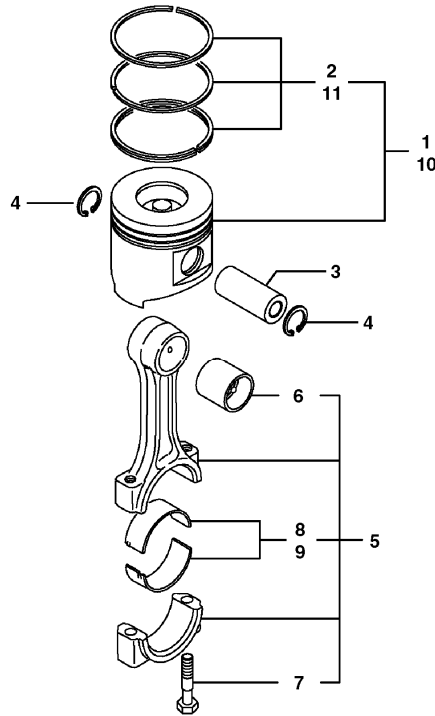
Volvo Construction
Equipment
1006955

Section option	Kit	Option description
VOE8279150		Engine without Epa label INT AND KOREAN MARKET
VOE8279151		Engine with Epa label EMISSION CERTIFICATED FROM EPA

Q1-Q5	Option	Option description	
Q1 8279150	VOE8279150	Engine without Epa label INT AND KOREAN MARKET	
Q2 8279151	VOE8279151	Engine with Epa label EMISSION CERTIFICATED FROM EPA	

Pos	Part	Q1	Q2	Q3	Q4	Q5	PS	Kit	Description	Option(s)	Remark
1	VOE11714378	2	2						Lifting bracket		(SA8210-04400)SER NO 10001-10733
	VOE11714378	2	2						Lifting bracket		SER NO 10734-
2	VOE11714372	4	4						Bolt		(SA8240-01680)SER NO 10001-10733
	VOE11714372	4	4						Bolt		SER NO 10734-

Date: 2013/12/16	Image id: 1006956	Catalogue: 20043	Model: ECR58
Brand: Volvo	Serial: 10001-	Group/Section: 213/100	Title: Connecting rod and piston



Volvo Construction
Equipment
1006956

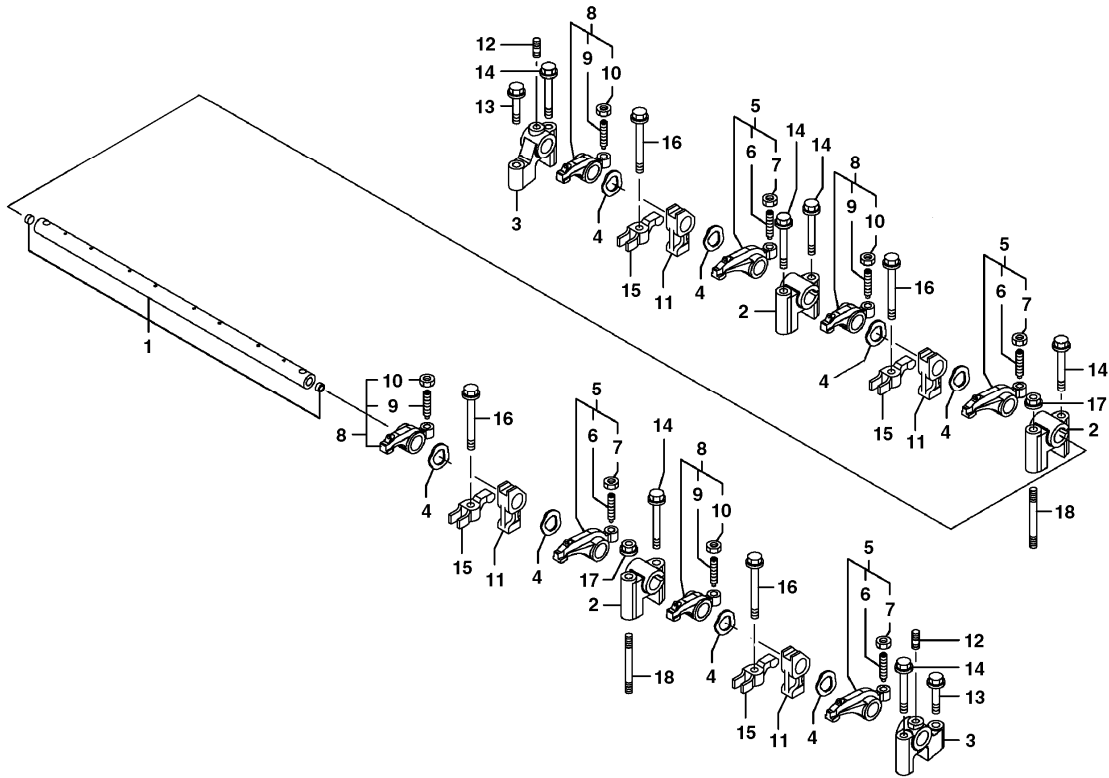
Section option	Kit	Option description
VOE8279150		Engine without Epa label INT AND KOREAN MARKET
VOE8279151		Engine with Epa label EMISSION CERTIFICATED FROM EPA

Q1-Q5	Option	Option description	
Q1 8279150	VOE8279150	Engine without Epa label INT AND KOREAN MARKET	
Q2 8279151	VOE8279151	Engine with Epa label EMISSION CERTIFICATED FROM EPA	

Pos	Part	Q1	Q2	Q3	Q4	Q5	PS	Kit	Description	Option(s)	Remark
1	VOE14521566	4	4						Piston		
2	VOE14521567	4	4						•Ring		
3	VOE11714797	4	4						Gudgeon pin		(SA8210-02170)
4	SA8240-01140	8	8						Retaining ring		
5	VOE11714799	4	4						Connecting rod		(SA8210-04680)SER NO 10001-10733
	VOE11714799	4	4						Connecting rod		SER NO 10734-

6	SA8210-04720	4	4						•Bushing		SER NO 10001-10733
	VOE11714800	4	4						•Bushing		SER NO 10734-
7	VOE11714801	8	8						•Screw		(SA8210-04690)
8	VOE11714802	4	4						•Piston Bearing		(SA8210-04700)
9	VOE11714803	4	4						Piston Bearing		(SA8210-04710)0.25 U SZ
10	VOE14521568	4	4						Piston		0.25 O SZ
11	VOE14521569	4	4						•Ring		0.25 O SZ

Date: 2013/12/16	Image id: 1010717	Catalogue: 20043	Model: ECR58
Brand: Volvo	Serial: 10001-	Group/Section: 214/200	Title: Rocker arm



Volvo Construction
Equipment
1010717

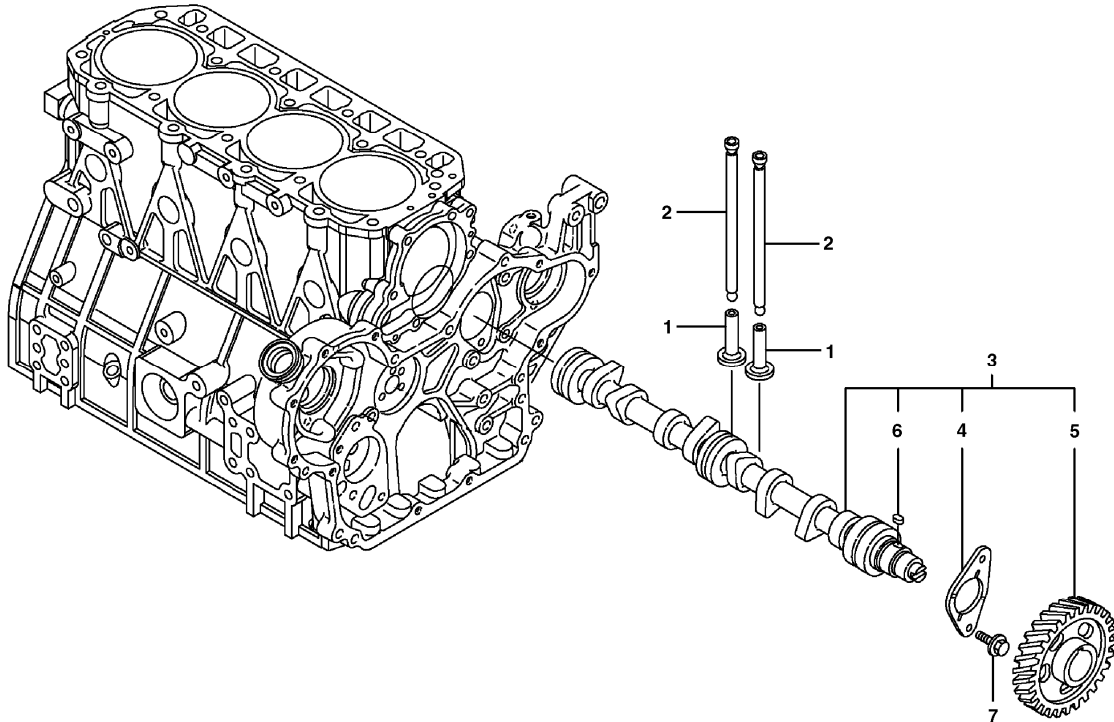
Section option	Kit	Option description
VOE8279150		Engine without Epa label INT AND KOREAN MARKET
VOE8279151		Engine with Epa label EMISSION CERTIFICATED FROM EPA

Q1-Q5	Option	Option description	
Q1 8279150	VOE8279150	Engine without Epa label INT AND KOREAN MARKET	
Q2 8279151	VOE8279151	Engine with Epa label EMISSION CERTIFICATED FROM EPA	

Pos	Part	Q1	Q2	Q3	Q4	Q5	PS	Kit	Description	Option(s)	Remark
	VOE14525390	1	1						Valve		
1	VOE14521535	1	1						•Rocker arm		
2	VOE14521536	3	3						•Support		
3	VOE14521537	2	2						•Support		
4	VOE14521538	8	8						•Spring washer		
5	VOE14521539	4	4						•Rocker arm		
6	SA8210-03660	1	1						••Screw		

7	VOE11714380	1	1						••Nut		(SA8210-03680)SER NO 10001-10733
	VOE11714380	1	1						••Nut		SER NO 10734-
8	VOE14521540	4	4						•Rocker arm		
9	SA8210-03660	1	1						••Screw		
10	VOE11714380	1	1						••Nut		(SA8210-03680)SER NO 10001-10733
	VOE11714380	1	1						••Nut		SER NO 10734-
11	VOE14525391	4	4						•Retainer		
12	VOE14521542	2	2						•Bolt		
13	VOE11714487	2	2						Bolt		(SA8240-01710)SER NO 10001-10733
	VOE11714487	2	2						Bolt		SER NO 10734-
14	SA8240-01740	6	6				SS		Bolt		SER NO 10001-10733
	VOE11714494	6	6						Bolt		SER NO 10734-
15	VOE14525392	4	4						Retainer		
16	VOE14525393	4	4						Flange screw		
17	VOE14521543	2	2						Nut		
18	VOE14525389	2	2						Bolt		

Date: 2013/12/16	Image id: 1006958	Catalogue: 20043	Model: ECR58
Brand: Volvo	Serial: 10001-	Group/Section: 215/100	Title: Camshaft



Volvo Construction
Equipment
1006958

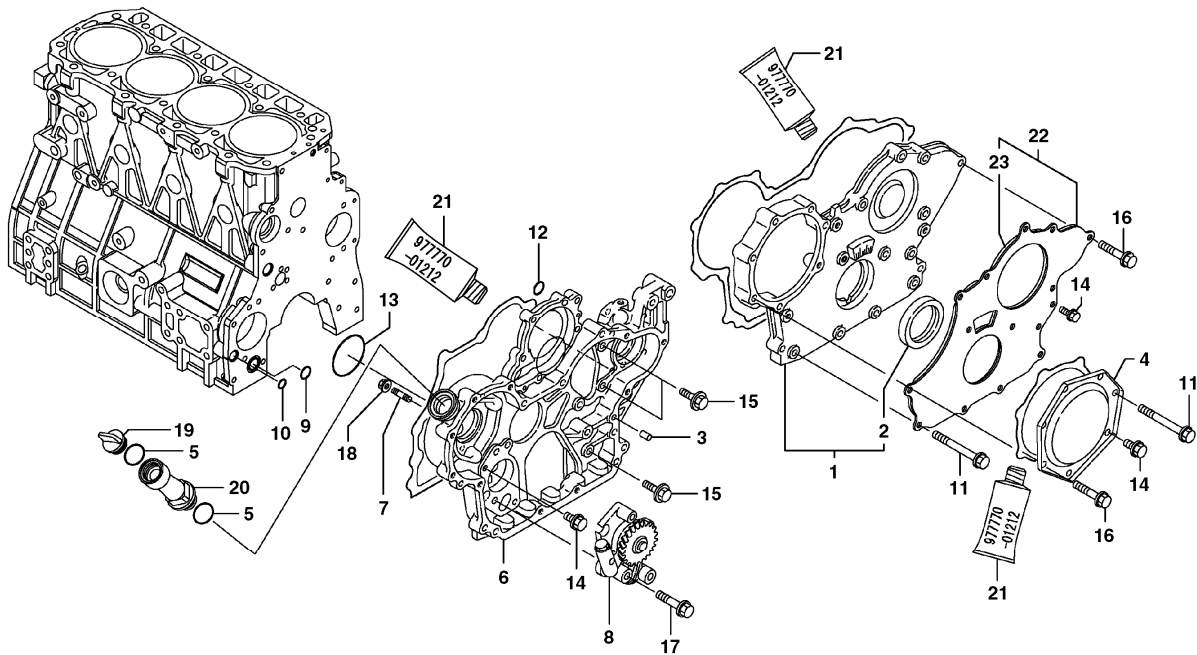
Section option	Kit	Option description
VOE8279150		Engine without Epa label INT AND KOREAN MARKET
VOE8279151		Engine with Epa label EMISSION CERTIFICATED FROM EPA

Q1-Q5	Option	Option description	
Q1 8279150	VOE8279150	Engine without Epa label INT AND KOREAN MARKET	
Q2 8279151	VOE8279151	Engine with Epa label EMISSION CERTIFICATED FROM EPA	

Pos	Part	Q1	Q2	Q3	Q4	Q5	PS	Kit	Description	Option(s)	Remark
1	SA8210-08810	8	8				SS		Tappet		SER NO 10001-10733
	VOE11714485	8	8						Tappet		(VOE14500478)SER NO 10734-
2	VOE14521559	8	8						Push rod		
3	VOE14521560	1	1						Camshaft		
4	SA8210-03640	1	1						•Bearing		SER NO 10001-10733
	VOE11714486	1	1						•Thrust washer		SER NO 10734-

5	SA8210-04580	1	1						•Gear		
6	SA8210-05520	1	1						•Key		SER NO 10001-10733
	VOE11714468	1	1						•Key		SER NO 10734-
7	VOE11714372	2	2						Bolt		(SA8240-01680)SER NO 10001-10733
	VOE11714372	2	2						Bolt		SER NO 10734-

Date: 2013/12/16	Image id: 1010718	Catalogue: 20043	Model: ECR58
Brand: Volvo	Serial: 10001-	Group/Section: 215/200	Title: Timing gear casing



Volvo Construction
Equipment
1010718

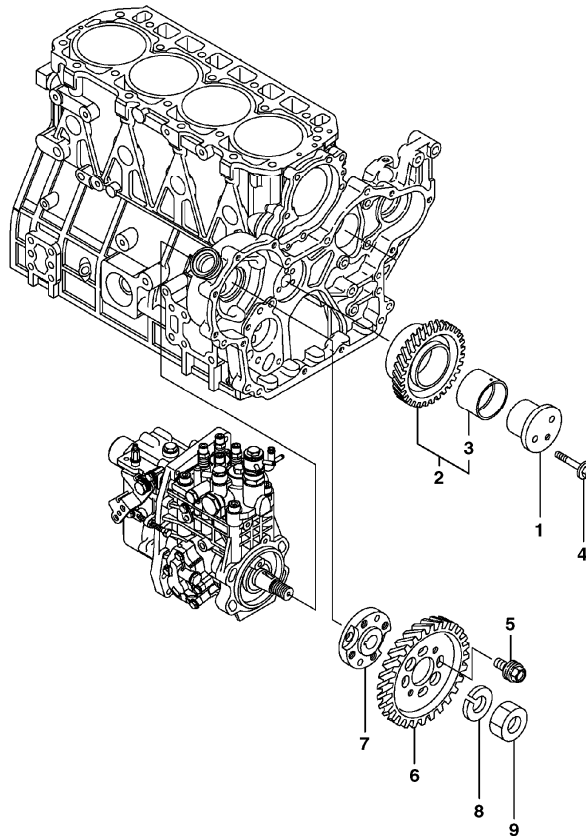
Section option	Kit	Option description
VOE8279150		Engine without Epa label INT AND KOREAN MARKET
VOE8279151		Engine with Epa label EMISSION CERTIFICATED FROM EPA

Q1-Q5	Option	Option description	
Q1 8279150	VOE8279150	Engine without Epa label INT AND KOREAN MARKET	
Q2 8279151	VOE8279151	Engine with Epa label EMISSION CERTIFICATED FROM EPA	

Pos	Part	Q1	Q2	Q3	Q4	Q5	PS	Kit	Description	Option(s)	Remark
1	VOE14521507	1	1						Housing		
2	VOE14514867	1	1						•Sealing		
3	VOE11714376	4	4						Pin		(SA8210-03530)SER NO 10001-10733
	VOE11714376	4	4						Pin		SER NO 10734-
4	VOE11714746	1	1						Cover		(SA8210-04300)

5	VOE11714371	2	2						O-ring		(SA8210-08880)SER NO 10001-10733
	VOE11714371	2	2						O-ring		SER NO 10734-
6	VOE14524622	1	1						Housing		
7	SA8240-02060	4	4						Stud		
8	VOE14525387	1	1						Pump		
9	VOE11714738	1	1						O-ring		(SA8210-04770)
10	VOE11714739	1	1						O-ring		(SA8210-04780)
11	VOE14521510	7	7						Bolt		
12	SA8210-08860	1	1						O-ring		
13	VOE14521512	1	1						Wrapping		
14	VOE11714372	5	5						Bolt		(SA8240-01680)SER NO 10001-10733
	VOE11714372	5	5						Bolt		SER NO 10734-
15	VOE11714388	3	3						Bolt		(SA8240-01700)SER NO 10001-10733
	VOE11714388	3	3						Bolt		SER NO 10734-
16	VOE11714487	10	10						Bolt		(SA8240-01710)SER NO 10001-10733
	VOE11714487	10	10						Bolt		SER NO 10734-
17	VOE11714377	3	3						Bolt		(SA8240-01720)SER NO 10001-10733
	VOE11714377	3	3						Bolt		SER NO 10734-
18	VOE14521513	4	4						Nut		
19	VOE11714383	1	1						Cap		(SA8210-03240)
20	SA8210-05300	1	1						Pipe		
21	VOE14543857	1	1						Gasket		(SA8240-02760)SER NO 10001-10733
	VOE14543857	1	1						Gasket		SER NO 10734-
22	VOE14521515	1	1						Cover		
23	VOE14521516	1	1						•Sponge		

Date: 2013/12/16	Image id: 1018695	Catalogue: 20043	Model: ECR58
Brand: Volvo	Serial: 10001-	Group/Section: 215/250	Title: Timing gear



Volvo Construction
Equipment
1018695

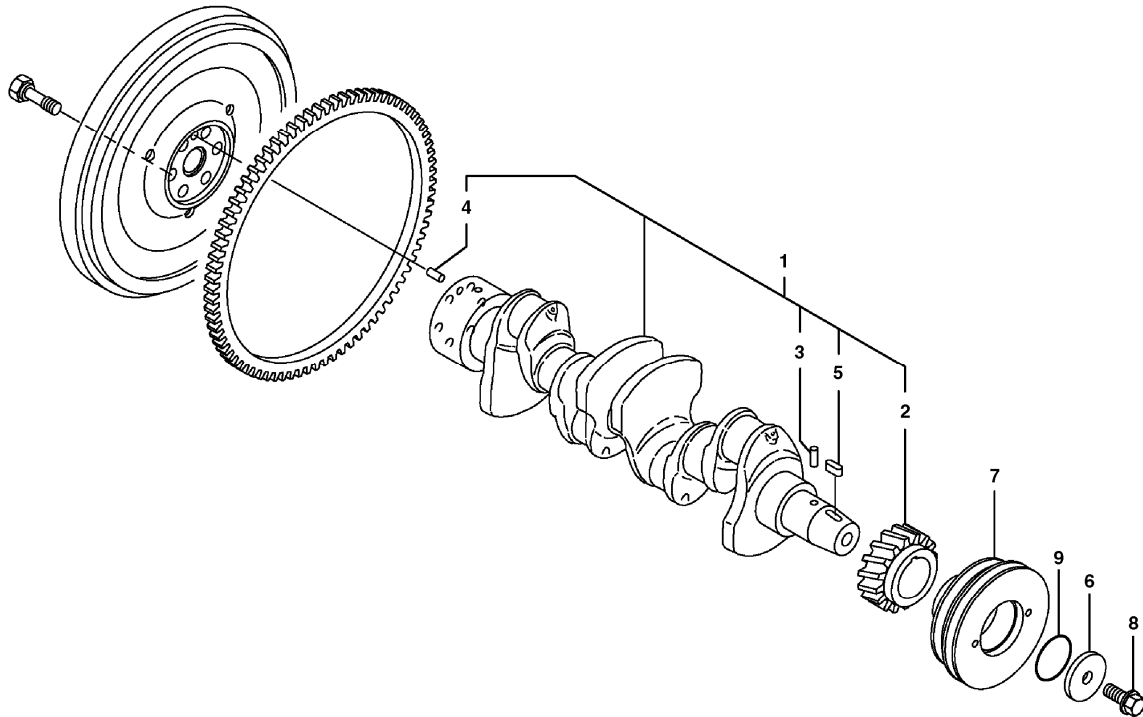
Section option	Kit	Option description
VOE8279150		Engine without Epa label INT AND KOREAN MARKET
VOE8279151		Engine with Epa label EMISSION CERTIFICATED FROM EPA

Q1-Q5	Option	Option description	
Q1 8279150	VOE8279150	Engine without Epa label INT AND KOREAN MARKET	
Q2 8279151	VOE8279151	Engine with Epa label EMISSION CERTIFICATED FROM EPA	

Pos	Part	Q1	Q2	Q3	Q4	Q5	PS	Kit	Description	Option(s)	Remark
1	VOE14521561	1	1						Shaft		
2	VOE11714785	1	1						Gear		(SA8210-04740)
3	SA8210-03700	1	1						•Bushing		
4	VOE11714373	3	3						Bolt		(SA8240-01730)SER NO 10001-10733
	VOE11714373	3	3						Bolt		SER NO 10734-
5	VOE14521562	4	4						Bolt		

6	VOE14521563	1	1						Gear		SER NO 10001-10733
	VOE11714787	1	1						Gear		SER NO 10734-
7	VOE14525395	1	1						Flange		
8	SA8240-01070	1	1						Spring Washer		
9	VOE11714789	1	1						Nut		(SA8240-02230)

Date: 2013/12/16	Image id: 1006961	Catalogue: 20043	Model: ECR58
Brand: Volvo	Serial: 10001-	Group/Section: 216/100	Title: Crankshaft



Volvo Construction
Equipment
1006961

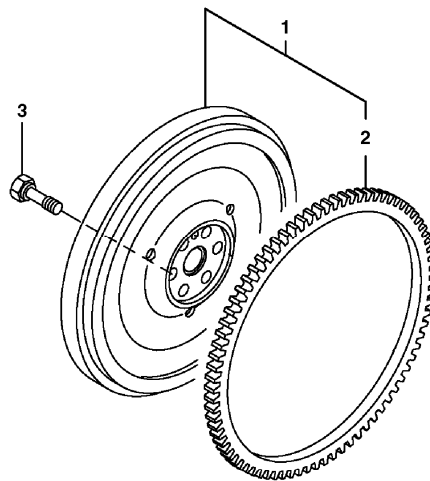
Section option	Kit	Option description
VOE8279150		Engine without Epa label INT AND KOREAN MARKET
VOE8279151		Engine with Epa label EMISSION CERTIFICATED FROM EPA

Q1-Q5	Option	Option description	
Q1 8279150	VOE8279150	Engine without Epa label INT AND KOREAN MARKET	
Q2 8279151	VOE8279151	Engine with Epa label EMISSION CERTIFICATED FROM EPA	

Pos	Part	Q1	Q2	Q3	Q4	Q5	PS	Kit	Description	Option(s)	Remark
1	VOE14521564	1	1						Crankshaft		
2	VOE11714790	1	1						•Crankshaft gear		(SA8210-04620)
3	VOE11714791	1	1						•Guide pin		(SA8210-02710)
4	VOE11714792	1	1						•Guide pin		(SA8210-02740)
5	SA8210-05520	1	1						•Key		SER NO 10001-10733
	VOE11714468	1	1						•Key		SER NO 10734-
6	VOE14509381	1	1						Washer		

7	VOE14517628	1	1						Pulley		
8	VOE14517969	1	1						Bolt		
9	VOE14509382	1	1						O-ring		

Date: 2013/12/16	Image id: 1006962	Catalogue: 20043	Model: ECR58
Brand: Volvo	Serial: 10001-	Group/Section: 216/200	Title: Flywheel



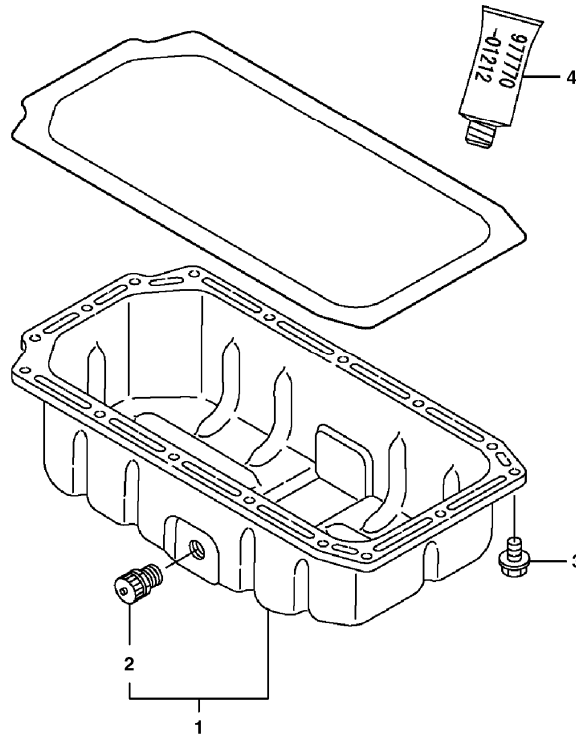
Volvo Construction
Equipment
1006962

Section option	Kit	Option description
VOE8279150		Engine without Epa label INT AND KOREAN MARKET
VOE8279151		Engine with Epa label EMISSION CERTIFICATED FROM EPA

Q1-Q5	Option	Option description	
Q1 8279150	VOE8279150	Engine without Epa label INT AND KOREAN MARKET	
Q2 8279151	VOE8279151	Engine with Epa label EMISSION CERTIFICATED FROM EPA	

Pos	Part	Q1	Q2	Q3	Q4	Q5	PS	Kit	Description	Option(s)	Remark
1	VOE14500479	1	1						Flywheel		
2	VOE11714795	1	1						•Gear ring		(SA8210-04630)
3	VOE11714793	6	6						Screw		(SA8210-02690)

Date: 2013/12/16	Image id: 1006963	Catalogue: 20043	Model: ECR58
Brand: Volvo	Serial: 10001-	Group/Section: 217/100	Title: Oil sump



Volvo Construction
Equipment
1006963

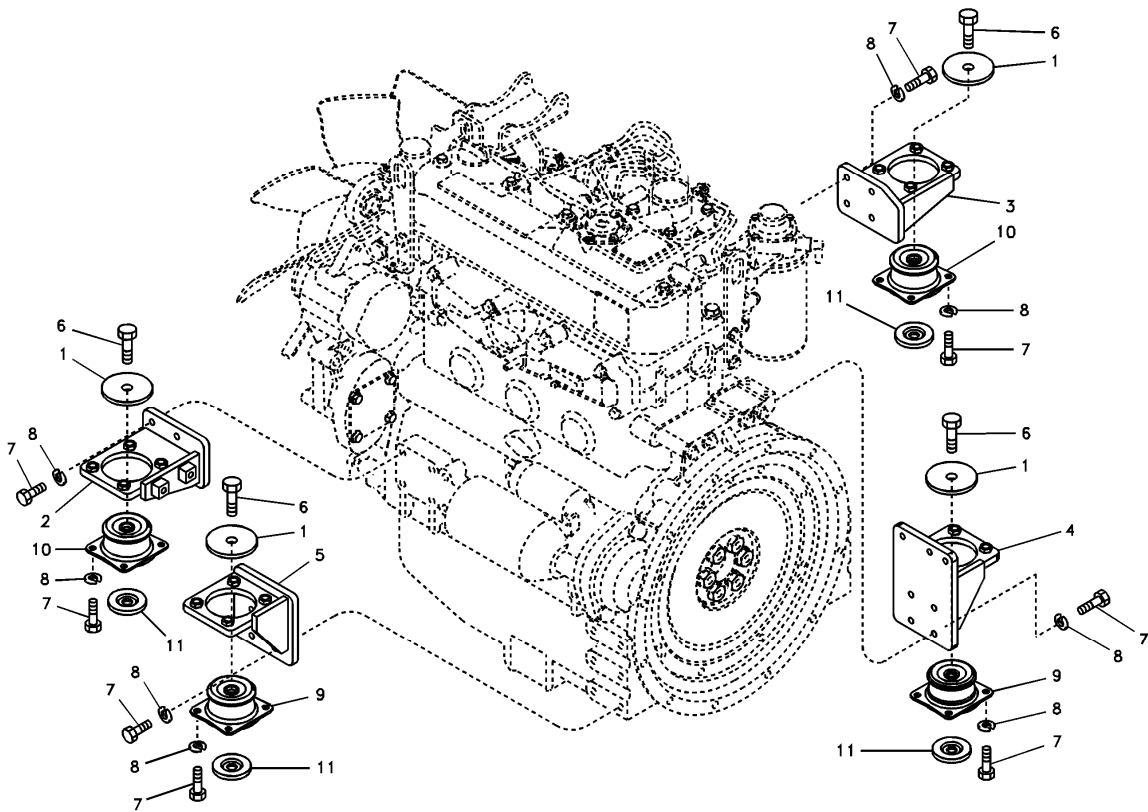
Section option	Kit	Option description
VOE8279150		Engine without Epa label INT AND KOREAN MARKET
VOE8279151		Engine with Epa label EMISSION CERTIFICATED FROM EPA

Q1-Q5	Option	Option description	
Q1 8279150	VOE8279150	Engine without Epa label INT AND KOREAN MARKET	
Q2 8279151	VOE8279151	Engine with Epa label EMISSION CERTIFICATED FROM EPA	

Pos	Part	Q1	Q2	Q3	Q4	Q5	PS	Kit	Description	Option(s)	Remark
1	VOE14524469	1	1						Oil Pan		
2	VOE14521185	1	1						•Valve		
3	VOE11714490	16	16						Bolt		(SA8240-01670)SER NO 10001-10733
	VOE11714490	16	16						Bolt		SER NO 10734-
4	VOE14543857	1	1						Gasket		(SA8240-02760)SER NO 10001-10733

	VOE14543857	1	1						Gasket		SER NO 10734-
--	-------------	---	---	--	--	--	--	--	--------	--	---------------

Date: 2013/12/16	Image id: 1010722	Catalogue: 20043	Model: ECR58
Brand: Volvo	Serial: 10001-	Group/Section: 218/100	Title: Engine mount



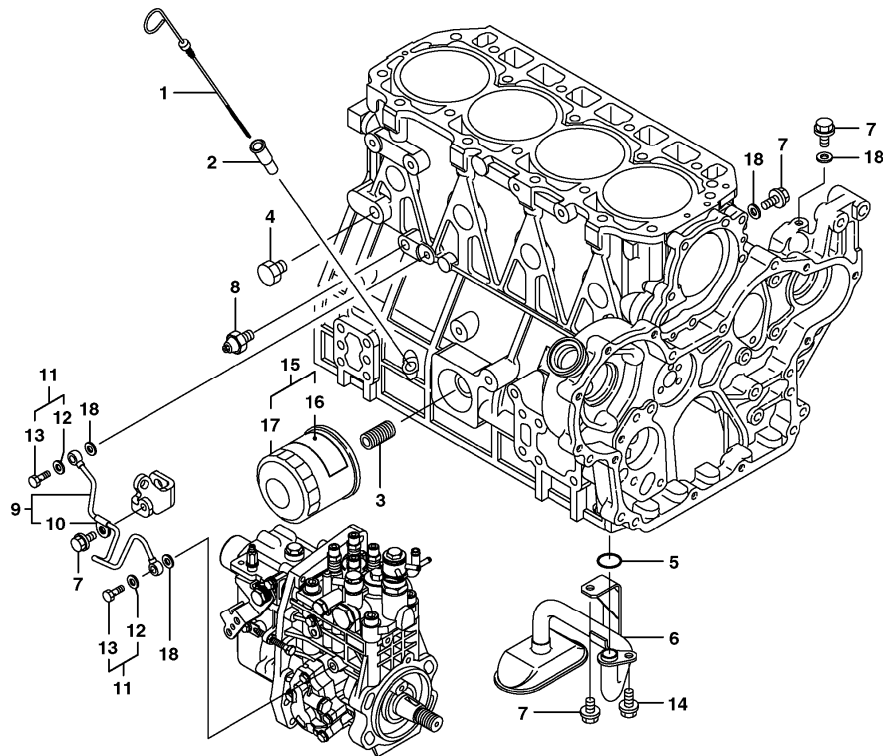
Volvo Construction
Equipment
1010722

Section option	Kit	Option description
VOE8278696		Basic Machine ECR58

Q1-Q5	Option	Option description
Q1 8278696	VOE8278696	Basic Machine ECR58

Pos	Part	Q1	Q2	Q3	Q4	Q5	PS	Kit	Description	Option(s)	Remark
1	SA1112-00830	4							Plate		
2	VOE14526768	1							Bracket		FRONT LH
3	VOE14526767	1							Bracket		FRONT RH
4	VOE14526105	1							Bracket		REAR RH
5	VOE14519051	1							Bracket		REAR LH
6	VOE978941	4							Hexagon screw		
7	VOE983252	32							Hexagon screw		
8	VOE955922	32							Spring washer		
9	VOE14592730	2							Cushion		(SA1112-30350)

Date: 2013/12/16	Image id: 1018696	Catalogue: 20043	Model: ECR58
Brand: Volvo	Serial: 10001-	Group/Section: 220/300	Title: Lubricating oil system



Volvo Construction
Equipment
1018696

Section option	Kit	Option description
VOE8279150		Engine without Epa label INT AND KOREAN MARKET
VOE8279151		Engine with Epa label EMISSION CERTIFICATED FROM EPA

Q1-Q5	Option	Option description	
Q1 8279150	VOE8279150	Engine without Epa label INT AND KOREAN MARKET	
Q2 8279151	VOE8279151	Engine with Epa label EMISSION CERTIFICATED FROM EPA	

Pos	Part	Q1	Q2	Q3	Q4	Q5	PS	Kit	Description	Option(s)	Remark
1	VOE14524359	1	1						Dipstick		SER NO 10001-10733
	VOE14543858	1	1						Dipstick		SER NO 10734-
2	VOE11715318	1	1						Dipstick tube		(SA8210-03930)
3	VOE11714907	1	1						Fitting		(SA8210-00920)
4	VOE14543859	1	1				SS		Plug		SER NO 10734-
5	VOE11714738	1	1						O-ring		(SA8210-04770)
6	VOE14525397	1	1						Oil pipe		

7	VOE11714490	4	4					Bolt		(SA8240-01670)SER NO 10001-10733
	VOE11714490	4	4					Bolt		SER NO 10734-
8	VOE14520582	1	1					Switch		
9	VOE14521570	1	1					Pipe		SER NO 10001-10733
	VOE11714864	1	1					Tube Assembly		SER NO 10734-
10	VOE14543860	1	1					•Support		SER NO 10734-
11	VOE14521571	2	2					Bolt		
12	VOE11714476	1	1					•Sealing washer		(SA8240-01020)SER NO 10001-10733
	VOE11714476	1	1					•Sealing washer		SER NO 10734-
13	SA8210-05600	1	1					•Bolt		
14	VOE11714372	1	1					Bolt		(SA8240-01680)SER NO 10001-10733
	VOE11714372	1	1					Bolt		SER NO 10734-
15	VOE14525396	1	1				SS	Filter		SER NO 10001-10733
	VOE14543861	1	1				NS	Filter		SER NO 10734-
16	VOE14543862	1	1				NS	•Label		SER NO 10734-
17	VOE14523962	1	1				SS	•Filter		SER NO 10734-
18	VOE11714476	4	4					Sealing washer		(SA8240-01020)SER NO 10001-10733
	VOE11714476	4	4					Sealing washer		SER NO 10734-



Suggest:

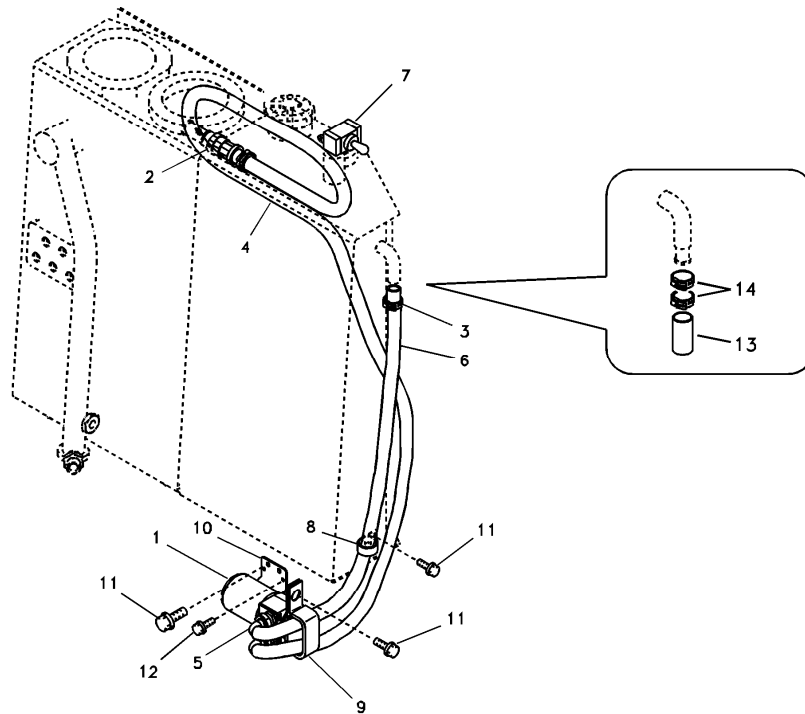
For more complete manuals. Please go to the home page.

<https://www.ebooklibonline.com>

If the above button click is invalid. Please download this document first, and then click the above link to download the complete manual.

Thank you so much for reading

Date: 2013/12/16	Image id: 1010731	Catalogue: 20043	Model: ECR58
Brand: Volvo	Serial: 10001-	Group/Section: 234/300	Title: Fuel filling pump



Volvo Construction
Equipment
1010731

Section option	Kit	Option description
VOE8279152		Fuel filling pump, not equipped with
VOE8279153		Fuel filling pump 35LPM

Q1-Q5	Option	Option description	
Q1 8279152	VOE8279152	Fuel filling pump, not equipped with	
Q2 8279153	VOE8279153	Fuel filling pump 35LPM	

Pos	Part	Q1	Q2	Q3	Q4	Q5	PS	Kit	Description	Option(s)	Remark
	VOE14524110		1						Fuel Fill Pump		35LPM
1	VOE14517821		1						•Fuel filling pump		
2	VOE14517753		1						•Valve		
3	VOE14517754		4						•Clip		
4	VOE14517808		1						•Hose		SER NO 10001-11078
	VOE14547766		1						•Hose		SER NO 11079-
5	VOE14524111		2				SS		•Elbow		

<https://www.ebooklibonline.com>

Hello dear friend!

Thank you very much for reading.

Enter the link into your browser.

The full manual is available for immediate download.

<https://www.ebooklibonline.com>