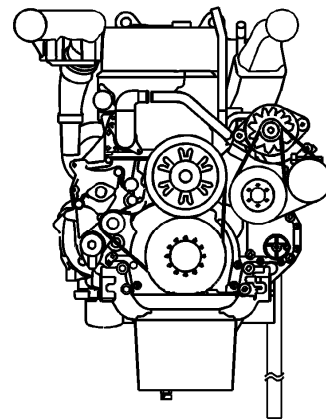
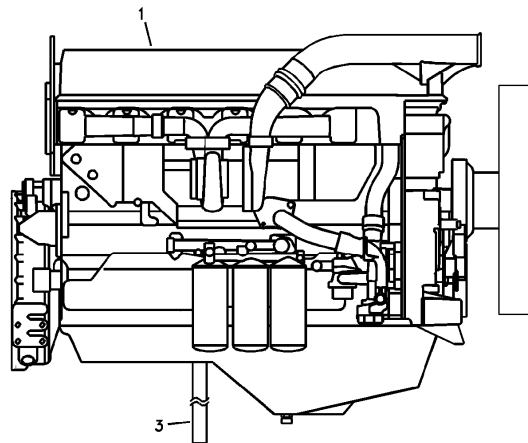
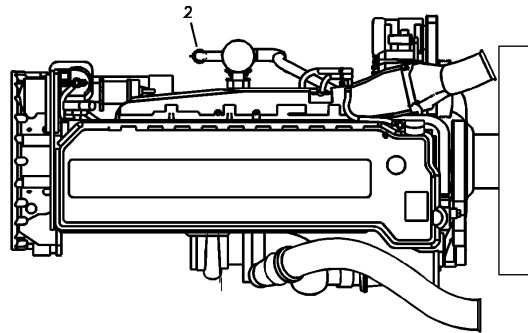


Date: 2014/1/20	Image id: 1019387	Catalogue: 20072	Model: EC460B LC
Brand: Volvo	Serial: 11515-15000, 80001-85000	Group/Section: 210/100	Title: Engine



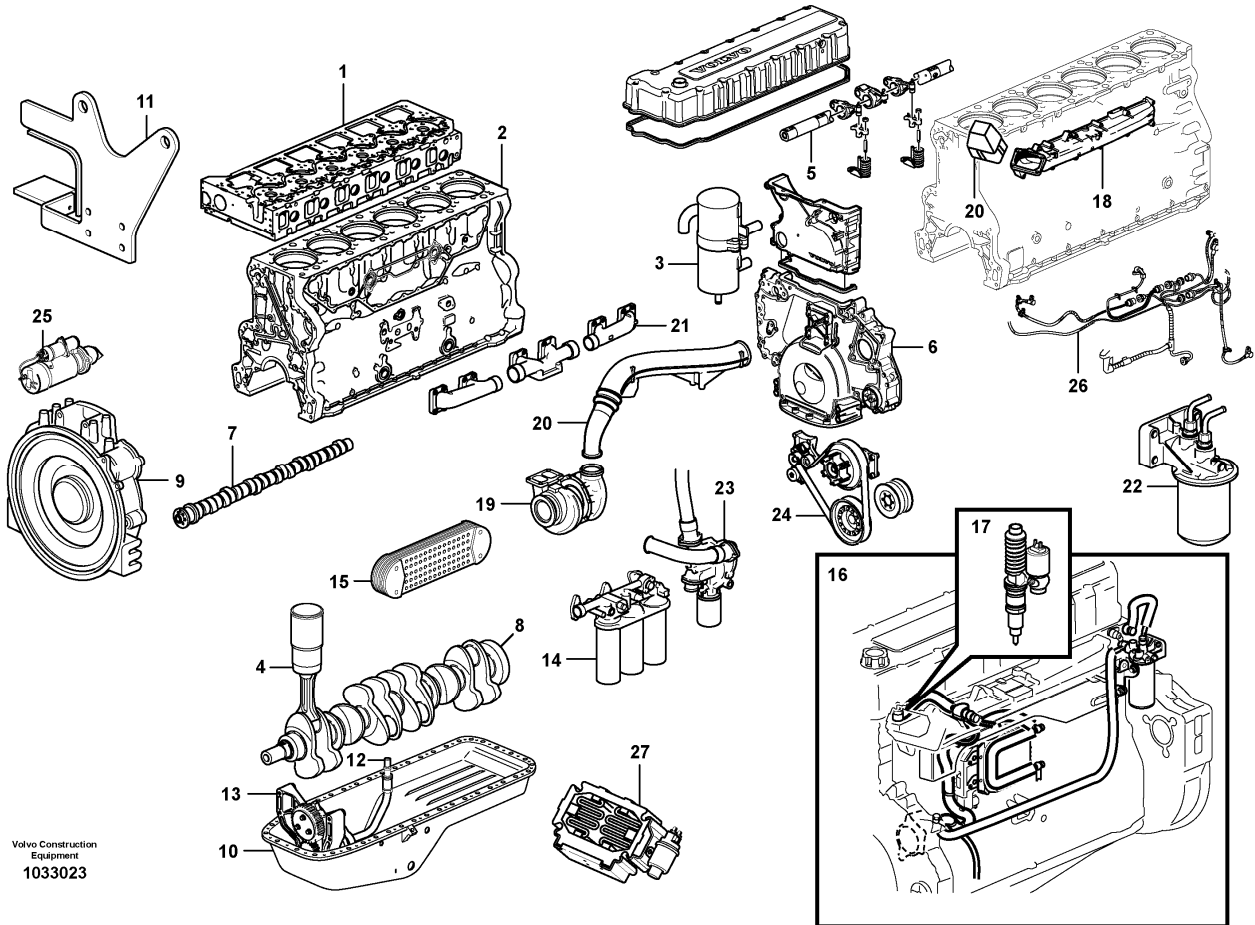
Volvo Construction
Equipment
1019387

Section option	Kit	Option description
VOE8279675		Engine with Epa label EMISSION CERTIFICATED FOR EU & EPA
VOE8279676		Engine without Epa label ENGINE TIER2 FOR KOREA & ROW
VOE8288735		Engine without Epa label
VOE8288737		Engine with Epa label EMISSION CERTIFICATED FROM EU AND EPA

Q1-Q5	Option	Option description	
Q1 8279675 8288737	VOE8279675	Engine with Epa label EMISSION CERTIFICATED FOR EU & EPA	
Q2 8279676 8288735	VOE8279676	Engine without Epa label ENGINE TIER2 FOR KOREA & ROW	

Pos	Part	Q1	Q2	Q3	Q4	Q5	PS	Kit	Description	Option(s)	Remark
1		1	1						Engine		See ref 210/200
2	SA9312-10175	1	1						Clamp		
3	VOE14881131	1	1						Hose		

Date: 2014/1/20	Image id: 1033023	Catalogue: 20072	Model: EC460B LC
Brand: Volvo	Serial: 11515-15000, 80001-85000	Group/Section: 210/200	Title: Engine



Section option	Kit	Option description
VOE8279675		Engine with Epa label EMISSION CERTIFICATED FOR EU & EPA
VOE8279676		Engine without Epa label ENGINE TIER2 FOR KOREA & ROW
VOE8288735		Engine without Epa label
VOE8288737		Engine with Epa label EMISSION CERTIFICATED FROM EU AND EPA

Q1-Q5	Option	Option description	
Q1 8279675 8288737	VOE8279675	Engine with Epa label EMISSION CERTIFICATED FOR EU & EPA	
Q2 8279676 8288735	VOE8279676	Engine without Epa label ENGINE TIER2 FOR KOREA & ROW	

Pos	Part	Q1	Q2	Q3	Q4	Q5	PS	Kit	Description	Option(s)	Remark
	VOE8188764	1					SS		Engine		D12DEAE3 S/N - 80660
	VOE8188756	1					SS		Engine		D12D-H S/N 80661 - 80670

	VOE8188757	1						Engine		D12D-P S/N 80671 -
	VOE8188746		1				SS	Engine		(VOE8188754) D12DEAE2 S/N - 12522
	VOE8188746		1				SS	Engine		D12D-G S/N 12523 - 12649
	VOE8188747		1					Engine		D12D-O S/N 12650 -
1		1	1					•Cylinder head		See ref 211/100
2		1	1					•Cylinder block		See ref 212/100
3		1	1					•Crankcase ventilation		See ref 212/300
4		6	6					•Cylinder liner		See ref 213/100
5		1	1					•Valve mechanism		See ref 214/100
6		1	1					•Timing gear casing		See ref 215/100
7		1	1					•Camshaft		See ref 215/200
8		1	1					•Crankshaft		See ref 216/100
9		1	1					•Flywheel housing		See ref 216/200
10		1	1					•Oil sump		See ref 217/100
11		1	1					•Engine mounting		See ref 218/200
12		1	1					•Lubricating system		See ref 221/100
13		1	1					••Oil pump		See ref 221/200
14		1	1					•Oil filter		See ref 222/100
15		1	1					•Oil cooler		See ref 223/100
16		1	1					•Fuel pipes		See ref 235/200
17		1	1					••Injector		See ref 237/200
18		1	1					•Inlet pipe		See ref 251/100
19		1	1					•Turbocharger		See ref 255/100
20		1	1					•Charge air cooler		See ref 258/100
21		1	1					•Exhaust pipe		See ref 251/100
22		1	1					•Coolant filter		See ref 261/700
23		1	1					•Water pump and thermo		See ref 262/100
24		1	1					•Belt transmission		See ref 263/100
25		1	1					•Starter motor		See ref 331/100
26		1	1					•Cable harness, ECU		See ref 371/300
27		1	1					•Starter Element		See ref 333/200

<https://www.ebooklibonline.com>

Hello dear friend!

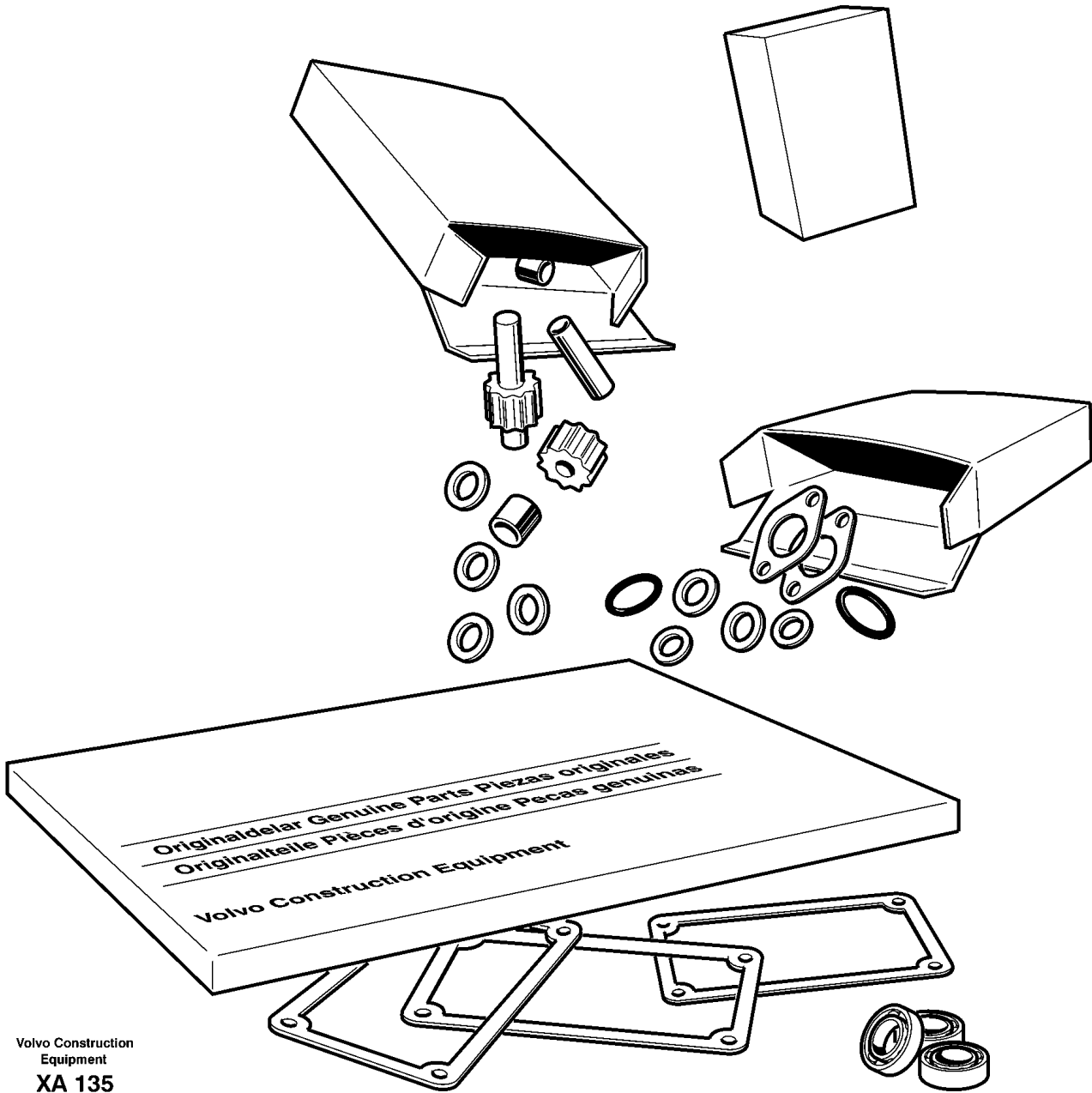
Thank you very much for reading.

Enter the link into your browser.

The full manual is available for immediate download.

<https://www.ebooklibonline.com>

Date: 2014/1/20	Image id: XA135	Catalogue: 20072	Model: EC460B LC
Brand: Volvo	Serial: 11515-15000, 80001-85000	Group/Section: 210/300	Title: Repair kits for engine



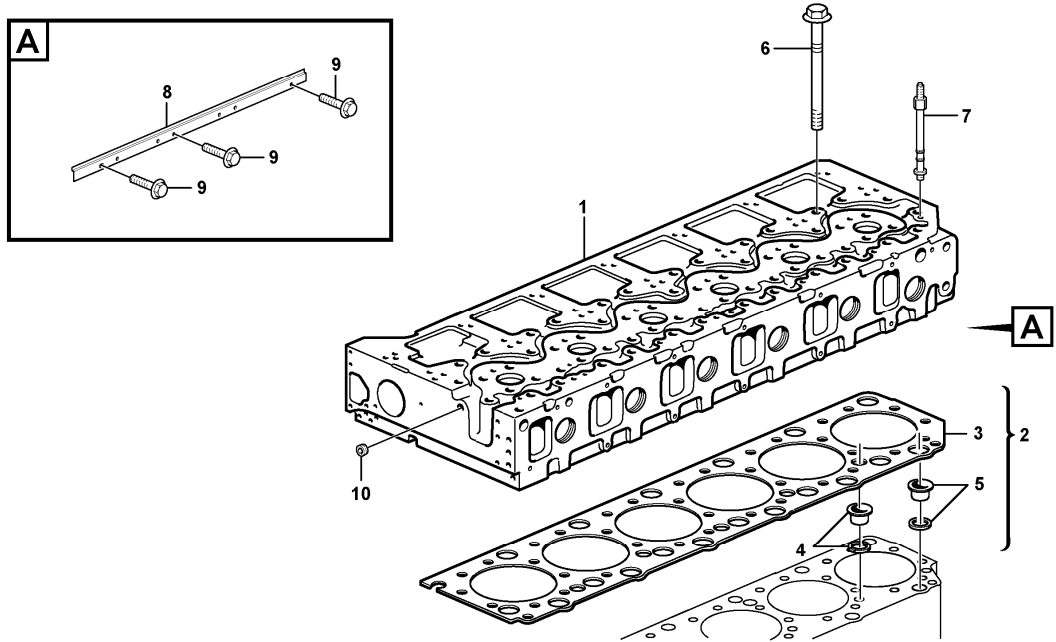
Volvo Construction
Equipment
XA 135

Section option	Kit	Option description
VOE8279675		Engine with Epa label EMISSION CERTIFICATED FOR EU & EPA
VOE8279676		Engine without Epa label ENGINE TIER2 FOR KOREA & ROW
Q1-Q5	Option	Option description

Q1 8279675	VOE8279675	Engine with Epa label EMISSION CERTIFICATED FOR EU & EPA	
Q2 8279676	VOE8279676	Engine without Epa label ENGINE TIER2 FOR KOREA & ROW	

Pos	Part	Q1	Q2	Q3	Q4	Q5	PS	Kit	Description	Option(s)	Remark
	VOE20412953	1	1						Gasket		FOR CYLINDER HEAD See ref 211/100
	VOE11712686	6	6						Cylinder liner kit		See ref 213/100
		6	6						•Sealing Kit		
		6	6						•Piston Ring Kit		
	VOE20503200	1	1						Bearing shell kit		CAMSHAFT See ref 215/200
	VOE276630	1	1						Bearing shell kit		CAMSHAFT See ref 215/200
		6	6						Big end brg kit		See ref 216/100
		7	7						Mn bearing kit		See ref 216/100
		1	1						Thrust washer kit		See ref 216/100
	VOE11127584	1	1						Gasket		OIL PAN See ref 217/100
	VOE3092642	1	1						De-carbonizing kit		FOR DECARBONIZING
	VOE3964604	16	16						•Bushing		
	VOE859171	24	24						•Valve seal		
	VOE21070576	1	1						•Sealing strip		(VOE8170116)
	VOE1544710	2	2						•Sealing ring		
	VOE1547252	1	1						•Sealing ring		
	VOE1547254	2	2						•Sealing ring		
	VOE1636309	1	1						•Sealing ring		
	VOE1677370	2	2						•Sealing ring		
	VOE3165097	1	1						•Sealing ring		
	VOE20714247	1	1						•Seg moulding		(VOE8170452)
	VOE7011996	7	7						•Gasket		
	VOE8149301	1	1						•Gasket		
	VOE8170473	1	1						•Gasket		
	VOE8170519	1	1						•Gasket		
	VOE1675841	1	1						•Gasket		
	VOE949659	12	12						•O-ring		
	VOE3165747	6	6						•O-ring		
	VOE13949656	1	1						•O-ring		

Date: 2014/1/20	Image id: 1052577	Catalogue: 20072	Model: EC460B LC
Brand: Volvo	Serial: 11515-15000, 80001-85000	Group/Section: 211/100	Title: Cylinder head



Volvo Construction
Equipment
1052577

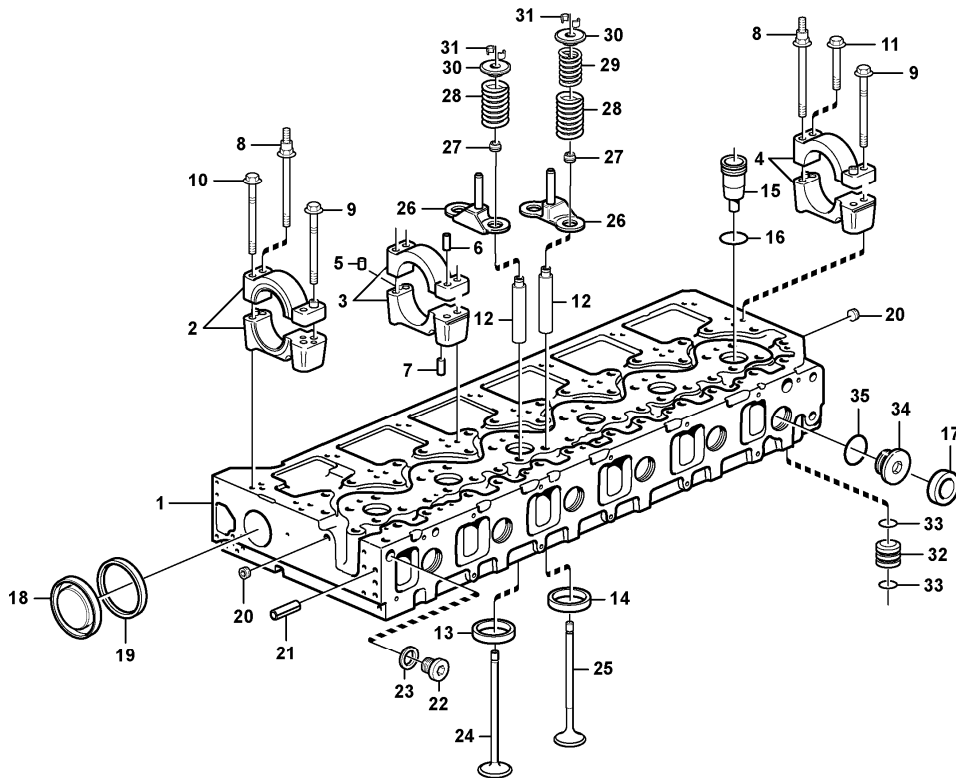
Section option	Kit	Option description
VOE8188746		Engine D12D-G, TIER3, BASED TIER2
VOE8188747		Engine D12D-O
VOE8188754		Engine D12DEAE2
VOE8188756		Engine D12D TIER 3
VOE8188757		Engine D12D-P
VOE8188764		Engine D12DEAE3
VOE8279675		Engine with Epa label EMISSION CERTIFICATED FOR EU & EPA
VOE8279676		Engine without Epa label ENGINE TIER2 FOR KOREA & ROW
VOE8288735		Engine without Epa label
VOE8288737		Engine with Epa label EMISSION CERTIFICATED FROM EU AND EPA

Q1-Q5	Option	Option description
Q1 8279675 8288737	VOE8279675	Engine with Epa label EMISSION CERTIFICATED FOR EU & EPA

Q2 8288735	8279676	VOE8279676	Engine without Epa label ENGINE TIER2 FOR KOREA & ROW					
---------------	---------	------------	---	--	--	--	--	--

Pos	Part	Q1	Q2	Q3	Q4	Q5	PS	Kit	Description	Option(s)	Remark
1	VOE20560799	1					SS		Cylinder head		See ref 211/200
2	VOE3099100	1							Gasket kit		
3	VOE20412953	1							•Gasket		
4		18					NS		•Seal Ring		
5		4					NS		•Seal Ring		
6	VOE1547419	38							Screw		
7	VOE8148863	9							Stud		
8	VOE20566300	1					OP		Heat shield		
9	VOE946329	4							Flange screw		L = 20 MM
10	VOE990831	1							Plug		

Date: 2014/1/20	Image id: 1045164	Catalogue: 20072	Model: EC460B LC
Brand: Volvo	Serial: 11515-15000, 80001-85000	Group/Section: 211/200	Title: Cylinder head



Volvo Construction
Equipment
1045164

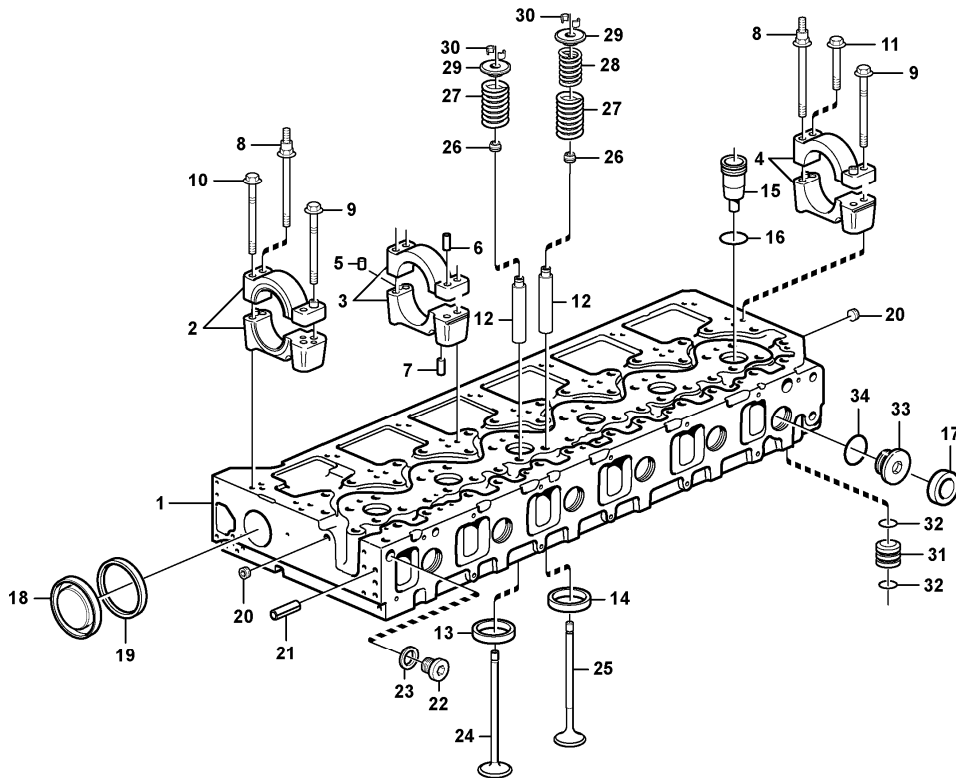
Section option	Kit	Option description
VOE8188746		Engine D12D-G, TIER3, BASED TIER2
VOE8188747		Engine D12D-O
VOE8188754		Engine D12DEAE2
VOE8188756		Engine D12D TIER 3
VOE8188757		Engine D12D-P
VOE8188764		Engine D12DEAE3
VOE8279675		Engine with Epa label EMISSION CERTIFICATED FOR EU & EPA
VOE8279676		Engine without Epa label ENGINE TIER2 FOR KOREA & ROW
VOE8288735		Engine without Epa label
VOE8288737		Engine with Epa label EMISSION CERTIFICATED FROM EU AND EPA

Q1-Q5	Option	Option description
Q1 8279675 8288737	VOE8279675	Engine with Epa label EMISSION CERTIFICATED FOR EU & EPA

Q2 8288735	8279676	VOE8279676	Engine without Epa label ENGINE TIER2 FOR KOREA & ROW				
---------------	---------	------------	---	--	--	--	--

Pos	Part	Q1	Q2	Q3	Q4	Q5	PS	Kit	Description	Option(s)	Remark
	VOE20560799	1					SS		Cylinder head		
	VOE20560797		1						Cylinder head		
	VOE24426421	1					SE		•Cylinder head		
	VOE24426420		1				SS		•Cylinder head		
1	VOE20478371	1	1				OP		••Cylinder head		
2	VOE3165130	1	1						••Bearing housing		(VOE8170150)
3	VOE3165133	5	5						••Bearing housing		
4	VOE3165136	1	1						••Bearing housing		
5	VOE950542	7	7						•••Pin		
6	VOE1677189	7	7				NS		•••Sleeve		
7	VOE950562	14	14						••Pin		
8	VOE8170626	7	7						••Stud		
9	VOE1547889	14	14						••Screw		
10	VOE1547888	1	1						••Screw		
11	VOE1677283	6	6						••Screw		
12	VOE20817648	24							••Valve guide		(VOE20460636)
12	VOE20905400		24						••Valve guide		
13	VOE20459329	12	12						••Valve seat		INLET
14	VOE20412798	12							••Valve seat		EXHAUST
14	VOE3169366		12						••Valve		EXHAUST
15	VOE3183368	6	6						••Sleeve		
16	VOE20536487	6	6						••O-ring		
17	VOE8131707	11	11						••Cap plug		
18	VOE8170553	1	1						••Cap plug		
	VOE1161370	REQ	REQ						••Locking fluid		50 ML
19	VOE1544710	1	1						•Sealing ring		
20	VOE13968062	2	2						•Plug		
21	VOE422426	1	1						•Pin		
22	VOE20441335	1	1						•Plug		
23	VOE947281	1	1						•Gasket		
24	VOE20459326	12	12						•Inlet valve		
25	VOE20441486	12							•Exhaust Valve		
25	VOE20441945		12						•Exhaust valve		
26	VOE1677963	6	6						•Guide pin		
27	VOE859171	24	24						•Valve seal		ENG - 660580
27	VOE21501189	24	24						•Valve stem seal		ENG 660581 -
28	VOE3183210	24	24						•Valve spring		
29	VOE3183211	12	12						•Valve spring		
30	VOE1546487	24	24						•Valve spring washer		
31	VOE1677875	48	48						•Valve sleeve		
32	VOE20463179	1	1						•Adapter		
33	VOE13949721	2	2						•O-ring		

Date: 2014/1/20	Image id: 1031935	Catalogue: 20072	Model: EC460B LC
Brand: Volvo	Serial: 11515-15000, 80001-85000	Group/Section: 211/250	Title: Cylinder head 8188757



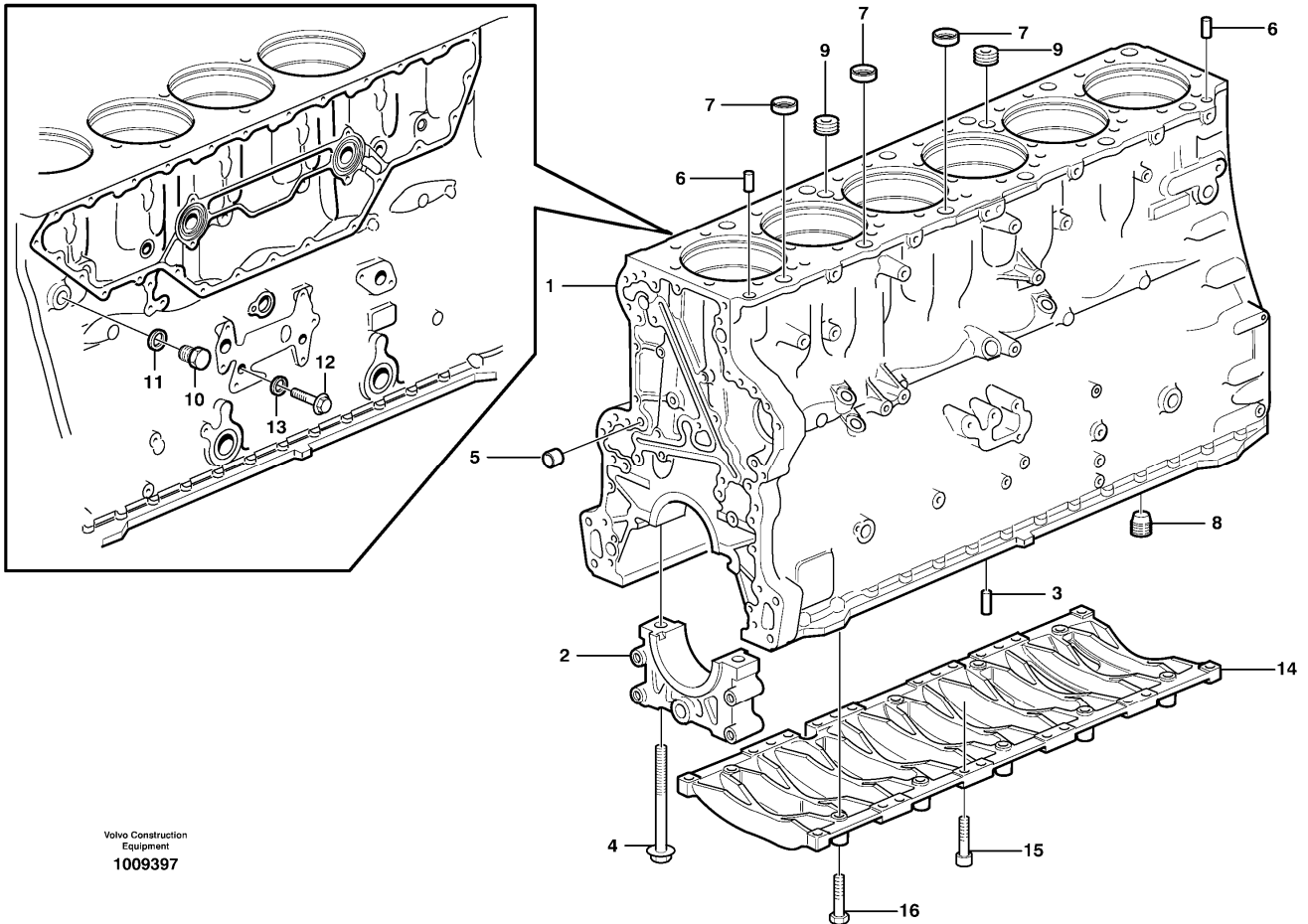
Volvo Construction
Equipment
1031935

Section option	Kit	Option description
VOE8188757		Engine D12D-P
VOE8279675		Engine with Epa label EMISSION CERTIFICATED FOR EU & EPA
VOE8288737		Engine with Epa label EMISSION CERTIFICATED FROM EU AND EPA

Pos	Part	Q1	Q2	Q3	Q4	Q5	PS	Kit	Description	Option(s)	Remark
	VOE21086450	1							Cylinder head		
	VOE24426421	1					SE		•Cylinder head		
1	VOE20478371	1					OP		••Cylinder head		
2	VOE3165130	1							••Bearing housing		
3	VOE3165133	5							••Bearing housing		
4	VOE3165136	1							••Bearing housing		
5	VOE950542	7							•••Pin		
6	VOE1677189	7					NS		•••Sleeve		
7	VOE950562	14							•••Pin		

8	VOE21344812	7							••Stud		
9	VOE21344776	14							••Screw		L = 127 MM
10	VOE21344752	1							••Screw		L = 106 MM
11	VOE1677283	6							••Screw		L = 70 MM
12	VOE20817648	24							••Valve guide		
13	VOE20459329	12							••Valve seat		INLET
14	VOE20412798	12							••Valve seat		EXHAUST
15	VOE3183368	6							••Sleeve		
16	VOE20536487	6							••O-ring		
17	VOE8131707	11							••Cap plug		
18	VOE8170553	1							••Cap plug		
19	VOE1544710	1							•Sealing ring		
20	VOE990830	2							•Plug		
21	VOE422426	1							•Pin		
22	VOE20441335	1							•Plug		
23	VOE13947281	1							•Gasket		
24	VOE20459326	12							•Inlet valve		
25	VOE20441486	12							•Exhaust Valve		
26	VOE859171	24							•Valve seal		ENG - 660580
26	VOE21501189	24							•Valve stem seal		ENG 660581 -
27	VOE3183210	24							•Valve spring		ENG - 647540
27	VOE21310068	24							•Valve spring		ENG 647541 -
28	VOE3183211	12							•Valve spring		
29	VOE1546487	24							•Valve spring washer		
30	VOE1677875	48							•Valve sleeve		
31	VOE20463179	1							•Adapter		
32	VOE13949721	2							•O-ring		
	VOE3165025	1					NS		•Plug		
33	VOE3155171	1							••Plug		
34	VOE949659	1							••O-ring		

Date: 2014/1/20	Image id: 1009397	Catalogue: 20072	Model: EC460B LC
Brand: Volvo	Serial: 11515-15000, 80001-85000	Group/Section: 212/100	Title: Cylinder block



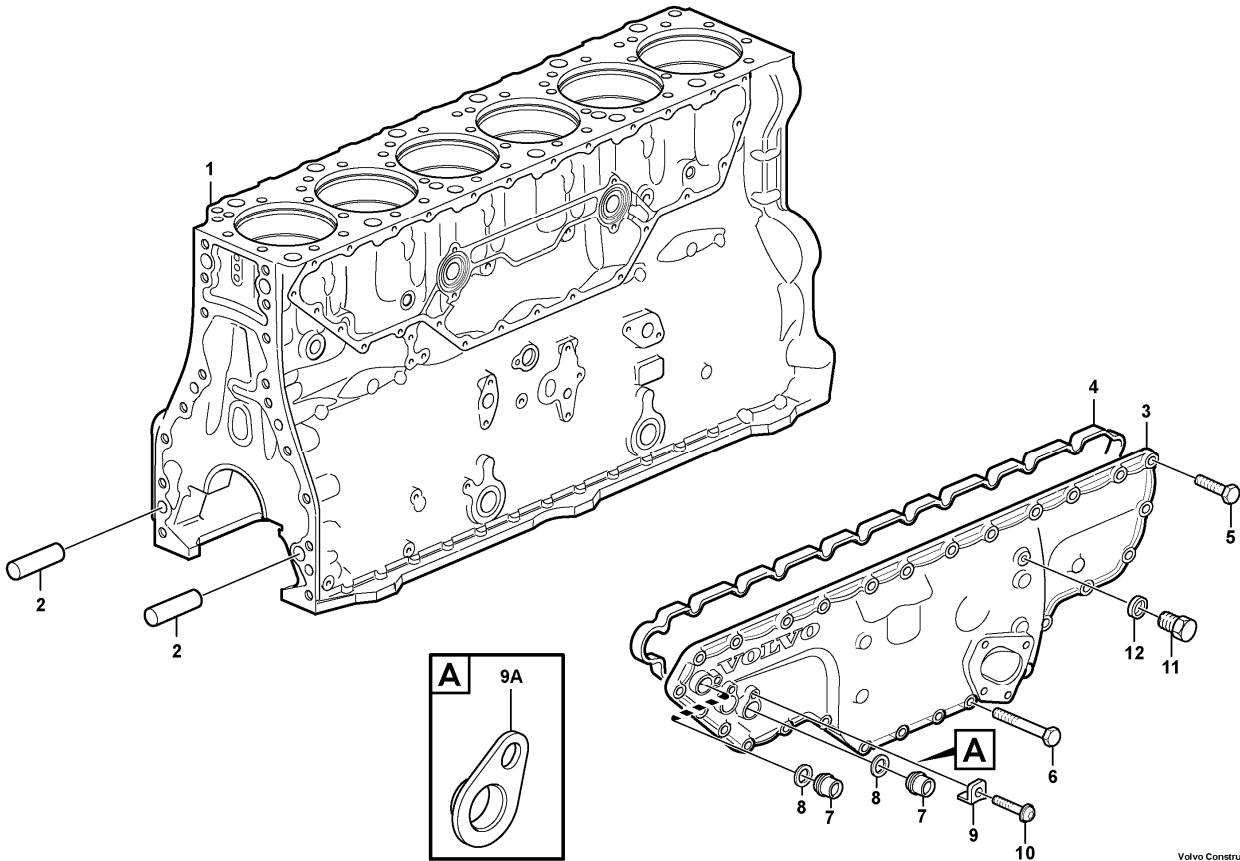
Section option	Kit	Option description
VOE8188746		Engine D12D-G, TIER3, BASED TIER2
VOE8188747		Engine D12D-O
VOE8188754		Engine D12DEAE2
VOE8188756		Engine D12D TIER 3
VOE8188757		Engine D12D-P
VOE8188764		Engine D12DEAE3
VOE8279675		Engine with Epa label EMISSION CERTIFICATED FOR EU & EPA
VOE8279676		Engine without Epa label ENGINE TIER2 FOR KOREA & ROW
VOE8288735		Engine without Epa label
VOE8288737		Engine with Epa label EMISSION CERTIFICATED FROM EU AND EPA

Q1-Q5	Option	Option description	
Q1	8279675 8288737	VOE8279675	Engine with Epa label EMISSION CERTIFICATED FOR EU & EPA

Q2 8288735	8279676	VOE8279676	Engine without Epa label ENGINE TIER2 FOR KOREA & ROW					
---------------	---------	------------	---	--	--	--	--	--

Pos	Part	Q1	Q2	Q3	Q4	Q5	PS	Kit	Description	Option(s)	Remark
	VOE8130120	1	1				SS		Cylinder block		
1	VOE8130121	1	1				NS		•Cylinder Block		
2		7	7				NS		•Cap		
3	VOE422426	1	1						•Pin		
4	VOE1547040	14	14						•Screw		
5	VOE981735	3	3						Cap plug		
6	VOE8170389	2	2						Guide sleeve		
7		3	3				NS		Rstr Washer		
8	VOE8170666	1	1						Plug		
9		2	2				NS		Plug		
10	VOE13960634	1	1						Plug		
11	VOE13947627	1	1						Plane gasket		
12	VOE946440	1	1						Flange screw		
13	VOE7011992	1	1						Gasket		
14	VOE3183414	1	1						Frame		
15	VOE973523	20	20						Allen Hd Screw		
16	VOE13965187	6	6						Screw		

Date: 2014/1/20	Image id: 1045414	Catalogue: 20072	Model: EC460B LC
Brand: Volvo	Serial: 11515-15000, 80001-85000	Group/Section: 212/200	Title: Cylinder block



Volvo Construction
Equipment
1045414

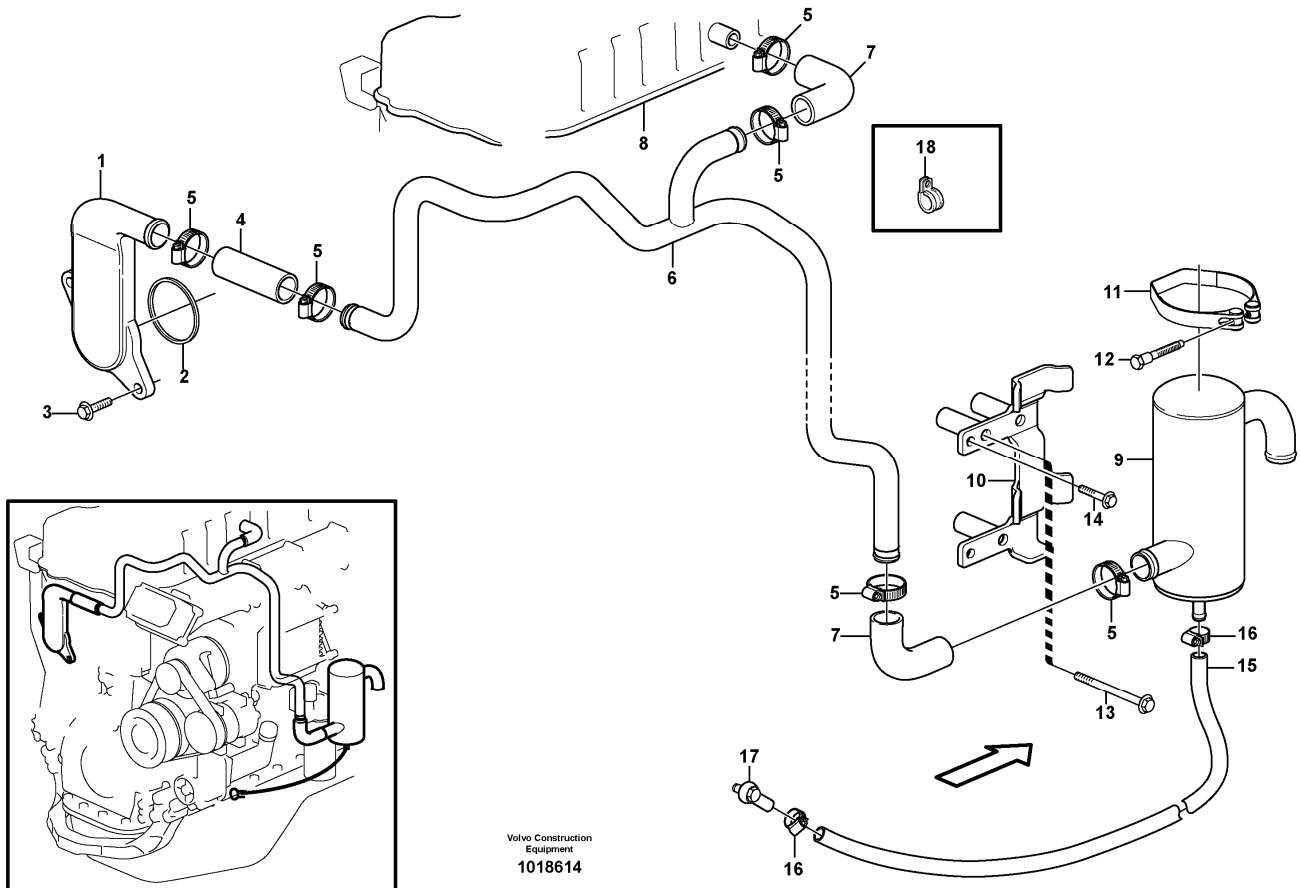
Section option	Kit	Option description
VOE8188746		Engine D12D-G, TIER3, BASED TIER2
VOE8188747		Engine D12D-O
VOE8188754		Engine D12DEAE2
VOE8188756		Engine D12D TIER 3
VOE8188757		Engine D12D-P
VOE8188764		Engine D12DEAE3
VOE8279675		Engine with Epa label EMISSION CERTIFICATED FOR EU & EPA
VOE8279676		Engine without Epa label ENGINE TIER2 FOR KOREA & ROW
VOE8288735		Engine without Epa label
VOE8288737		Engine with Epa label EMISSION CERTIFICATED FROM EU AND EPA

Q1-Q5	Option	Option description
Q1 8279675 8288737	VOE8279675	Engine with Epa label EMISSION CERTIFICATED FOR EU & EPA

Q2 8288735	8279676	VOE8279676	Engine without Epa label ENGINE TIER2 FOR KOREA & ROW					
---------------	---------	------------	---	--	--	--	--	--

Pos	Part	Q1	Q2	Q3	Q4	Q5	PS	Kit	Description	Option(s)	Remark
1		1	1						Cylinder block		See ref 212/100
2	VOE8170389	2	2						Guide sleeve		
3	VOE20538056	1	1						Casing		
4	VOE20712545	1	1						Seal		
5	VOE13945444	20	20						Screw		
6	VOE13965180	7	7						Screw		
7	VOE1546528	2	2						Plug		
8	VOE1547252	2	2						Sealing ring		
9	VOE1546532	2	2						Lock		ENG - 643971
9A	VOE20718731	2	2						Yoke		ENG 643972 -
10	VOE13972542	2	2						Six point socket screw		
11	VOE960631	1	1						Plug		
12	VOE7011996	1	1						Gasket		

Date: 2014/1/20	Image id: 1018614	Catalogue: 20072	Model: EC460B LC
Brand: Volvo	Serial: 11515-15000, 80001-85000	Group/Section: 212/300	Title: Crankcase ventilation



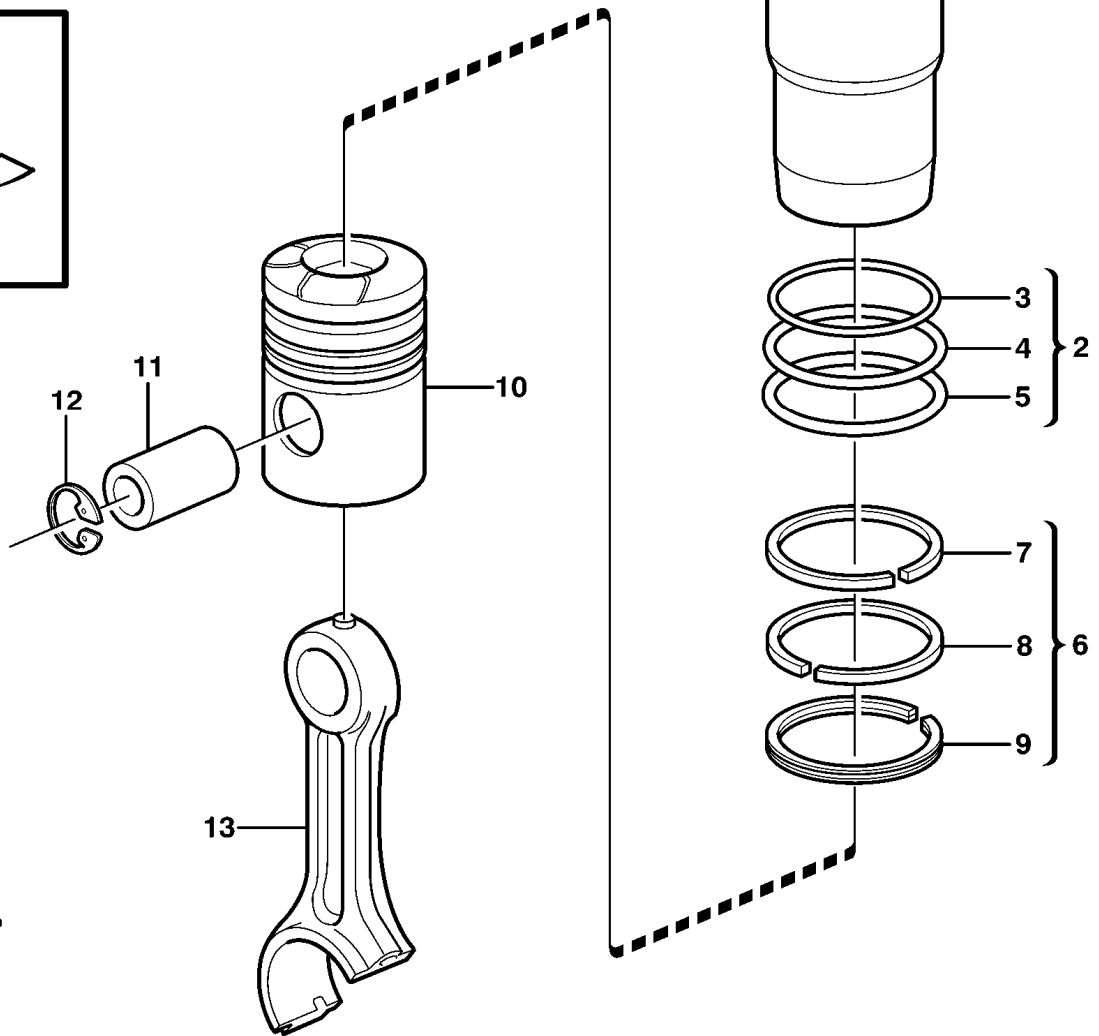
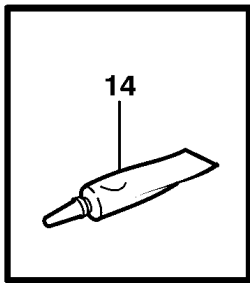
Section option	Kit	Option description
VOE8188746		Engine D12D-G, TIER3, BASED TIER2
VOE8188747		Engine D12D-O
VOE8188754		Engine D12DEAE2
VOE8188756		Engine D12D TIER 3
VOE8188757		Engine D12D-P
VOE8188764		Engine D12DEAE3
VOE8279675		Engine with Epa label EMISSION CERTIFICATED FOR EU & EPA
VOE8279676		Engine without Epa label ENGINE TIER2 FOR KOREA & ROW
VOE8288735		Engine without Epa label
VOE8288737		Engine with Epa label EMISSION CERTIFICATED FROM EU AND EPA

Q1-Q5	Option	Option description
Q1 8279675 8288737	VOE8279675	Engine with Epa label EMISSION CERTIFICATED FOR EU & EPA

Q2 8288735	8279676	VOE8279676	Engine without Epa label ENGINE TIER2 FOR KOREA & ROW				
---------------	---------	------------	---	--	--	--	--

Pos	Part	Q1	Q2	Q3	Q4	Q5	PS	Kit	Description	Option(s)	Remark
1	VOE11127358	1	1						Flange pipe		
2	VOE3165097	1	1						Sealing ring		
3	VOE13945444	2	2						Screw		
4	VOE11128750	1	1						Hose		L = 100 MM
5	VOE943476	6	6						Hose clamp		ENG - 654902
5	VOE993963	6	6						Hose clamp		ENG 654903 -
6	VOE11423384	1	1						Pipe		ENG - 612528
	VOE11423661	1	1						Pipe		ENG 612529 -
7	VOE11128756	2	2						Hose		
8		1	1						Valve Cover		See ref 214/100
											See ref 214/200
9	VOE11033878	1	1						Oil trap		
10	VOE11423146	1	1						Attachment		ENG - 612528
	VOE11423659	1	1						Bracket		ENG 612529 -
11	VOE420914	1	1						Tensioning Band		
12	VOE1545257	1	1						Screw		
13	VOE13965188	3	3						Screw		ENG - 612528
	VOE965189	3	3						Flange screw		ENG 612529 -
14	VOE946440	1	1						Flange screw		
15	VOE983342	REQ	REQ						Hose		L = 520 MM ENG - 612528
	VOE983342	REQ	REQ						Hose		L = 570 MM ENG 612529 -
16	VOE943471	2	2						Hose clamp		ENG - 654902
16	VOE993960	2	2						Hose clamp		ENG 654903 -
17		1	1						Nipple		See ref 217/200
											See ref 217/250
											See ref 217/300
18	VOE13949997	1	1						Clamp		

Date: 2014/1/20	Image id: XA105	Catalogue: 20072	Model: EC460B LC
Brand: Volvo	Serial: 11515-15000, 80001-85000	Group/Section: 213/100	Title: Cylinder liner and piston



Volvo Construction
Equipment
XA 105

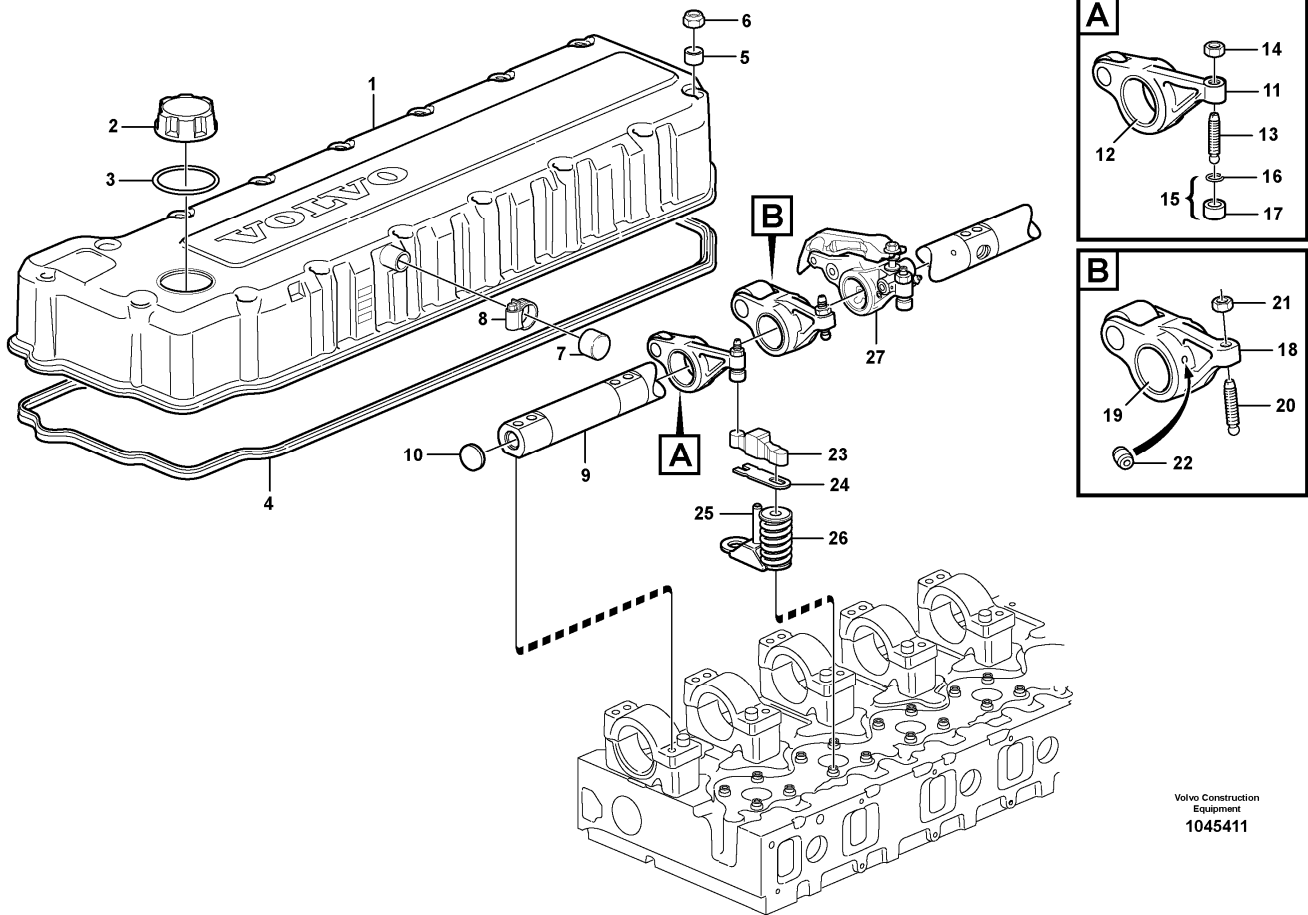
Section option	Kit	Option description
VOE8188746		Engine D12D-G, TIER3, BASED TIER2
VOE8188747		Engine D12D-O
VOE8188754		Engine D12DEAE2
VOE8188756		Engine D12D TIER 3

VOE8188757		Engine D12D-P
VOE8188764		Engine D12DEAE3
VOE8279675		Engine with Epa label EMISSION CERTIFICATED FOR EU & EPA
VOE8279676		Engine without Epa label ENGINE TIER2 FOR KOREA & ROW
VOE8288735		Engine without Epa label
VOE8288737		Engine with Epa label EMISSION CERTIFICATED FROM EU AND EPA

Q1-Q5	Option	Option description	
Q1 8279675 8288737	VOE8279675	Engine with Epa label EMISSION CERTIFICATED FOR EU & EPA	
Q2 8279675 8288737	VOE8279675	Engine with Epa label EMISSION CERTIFICATED FOR EU & EPA	
Q3 8279676 8288735	VOE8279676	Engine without Epa label ENGINE TIER2 FOR KOREA & ROW	
Q4 8279676 8288735	VOE8279676	Engine without Epa label ENGINE TIER2 FOR KOREA & ROW	

Pos	Part	Q1	Q2	Q3	Q4	Q5	PS	Kit	Description	Option(s)	Remark
	VOE11713964	6					SS		Cyl Liner Kit		ENG - 614664
	VOE20820358		6						Cylinder		ENG 614665 -
	VOE11714584			6					Cyl Liner Kit		ENG - 614664
	VOE20515376				6				Cylinder		ENG 614665 -
1	VOE20498544	6		6			NS		•Cylinder liner		
	VOE20451502		6		6		NS		•Cylinder Liner		
2	VOE270950	6	6	6	6				•Sealing kit		
3	VOE470922	6	6	6	6				••Seal Ring		
4	VOE470190	12	12	12	12		NS		••Sealing ring		
5	VOE270950	6	6	6	6				••Sealing kit		LOW
6	VOE85103624	6					SS		•Piston ring kit		
	VOE20820363		6						•Piston Ring Kit		
	VOE85103174			6			SS		•Piston ring kit		
	VOE20509932				6				•Piston ring kit		
7	VOE20411224	6	6	6	6		OP		••Compression ring		UPPER
8	VOE20576259	6	6				OP		••Compression ring		LOW
	VOE20411237			6	6				••Compression ring		LOW
9	VOE20505156	6	6				OP		••Oil scraper ring		
	VOE20738692			6	6				••Oil scraper ring		
10	VOE20482587	6	6				OP		•Piston		
	VOE20451076			6	6		OP		•Piston		
11	VOE3155115	6	6	6	6				•Gudgeon pin		
12	VOE914530	12	12	12	12				•Retaining ring		
13		6	6	6	6				Connecting rod		See ref 216/100
14		REQ	REQ	REQ	REQ		NS		Sealing Kit		

Date: 2014/1/20	Image id: 1045411	Catalogue: 20072	Model: EC460B LC
Brand: Volvo	Serial: 11515-15000, 80001-85000	Group/Section: 214/100	Title: Valve mechanism 8279675, 8288737



Volvo Construction
Equipment
1045411

Section option	Kit	Option description
VOE8188756		Engine D12D TIER 3
VOE8188757		Engine D12D-P
VOE8188764		Engine D12DEAE3
VOE8279675		Engine with Epa label EMISSION CERTIFICATED FOR EU & EPA
VOE8288737		Engine with Epa label EMISSION CERTIFICATED FROM EU AND EPA

Q1-Q5	Option	Option description
Q1 ENG - 629666		
Q2 ENG 626667 - 644714		
Q3 ENG 644715 -		

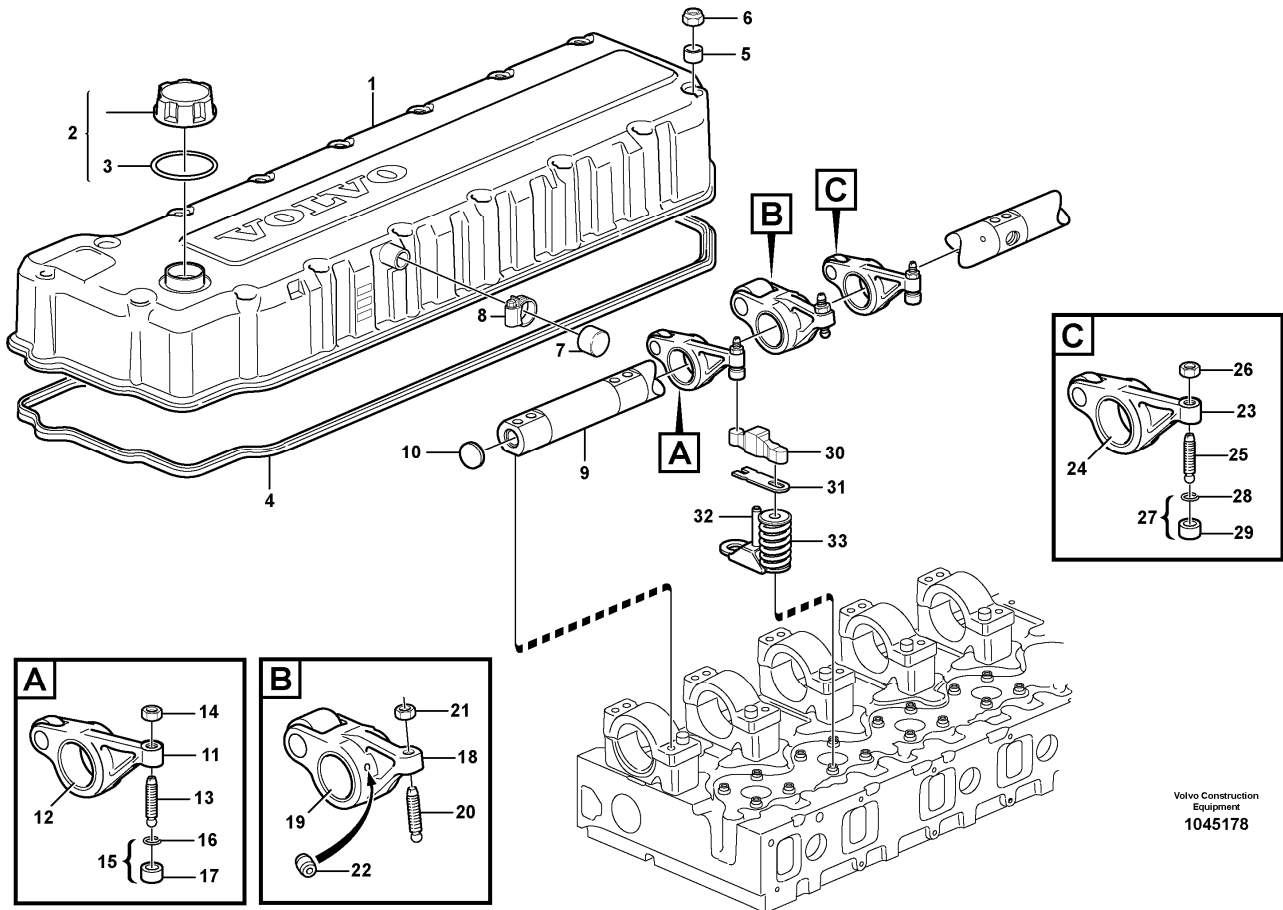
Pos	Part	Q1	Q2	Q3	Q4	Q5	PS	Kit	Description	Option(s)	Remark
1	VOE21052622	1	1	1					Valve cover		(VOE20536911)

1	VOE20545681	1	1	1			NS		•Valve Cover		
2	VOE20807510	1	1	1					•Oil filler cap		
3		1	1	1			NS		••Gasket		
4	VOE21070576	1	1	1					Sealing strip		(VOE8170116)
5	VOE3964604	16	16	16					Bushing		
6	VOE8148488	16	16	16					Lock nut		
7	VOE424543	1							Rubber cap		E PROD
8	VOE943476	1							Hose clamp		E PROD
9	VOE8170158	1	1	1					Rocker arm shaft		
9	VOE8170159	1	1	1			OP		•Rocker arm shaft		
10	VOE980176	2	2	2					•Expansion plug		
11	VOE20738717	6							Rocker Arm		INLET
11	VOE21024794		6	6					Rocker arm		INLET
11	VOE1547965	6	6	6			OP		•Rocker arm		
11	VOE1546690	6	6	6			NS		••Rocker arm		
12	VOE1546681	6	6	6					••Bushing		
	VOE1546046	6	6	6					•Bushing		See footnote 2624)
13	VOE1546458	6	6	6					•Ball stud		
14	VOE13946911	6	6	6					•Nut		
15	VOE20441753	6							•Ball socket		(VOE11707340)
15	VOE21054149		6	6					•Ball socket		
16	VOE944364	6	6	6					••O-ring		
17	VOE20441755	6					OP		••Ball socket		
17	VOE21054152		6						••Ball Socket		
18	VOE20738748	6							Rocker Arm		INJECTOR
18	VOE21023450		6						Rocker arm		INJECTOR
18	VOE21089229			6					Rocker arm		INJECTOR 21089229
18	VOE3155126	6					NS		•Rocker arm		
18	VOE20381704		6	6			OP		•Rocker arm		
19	VOE3155127	6	6				SS		•Bushing		
19	VOE21081469			6					•Bushing		
	VOE1546685	6	6						•Bushing		See footnote 2624)
20	VOE1546775	6	6	6					•Ball stud		
21	VOE1677396	6	6	6					•Hexagon nut		
22	VOE3964817		12	12					•Jet		
23	VOE3183207	12	12	12					Valve cap		
24	VOE1547967	REQ							Shim		THICK = 2,00 MM
24	VOE1547968	REQ							Shim		THICK = 2,05 MM
24	VOE1547969	REQ							Shim		THICK = 2,10 MM
24	VOE1547970	REQ							Shim		THICK = 2,15 MM
24	VOE1547971	REQ							Shim		THICK = 2,20 MM
24	VOE1547972	REQ							Shim		THICK = 2,25 MM

24	VOE1547973	REQ						Shim		THICK = 2,30 MM
24	VOE1547974	REQ						Shim		THICK = 2,35 MM
24	VOE1547975	REQ						Shim		THICK = 2,40 MM
24	VOE1547976	REQ						Shim		THICK = 2,45 MM
24	VOE1547977	REQ						Shim		THICK = 2,50 MM
24	VOE1547978	REQ						Shim		THICK = 2,55 MM
24	VOE1547979	REQ						Shim		THICK = 2,60 MM
24	VOE1547980	REQ						Shim		THICK = 2,65 MM
24	VOE1547981	REQ						Shim		THICK = 2,70 MM
24	VOE1547982	REQ						Shim		THICK = 2,75 MM
24	VOE1547983	REQ						Shim		THICK = 2,80 MM
24	VOE1547984	REQ						Shim		THICK = 2,85 MM
24	VOE1677347	REQ						Shim		THICK = 2,90 MM
24	VOE1677348	REQ						Shim		THICK = 2,95 MM
24	VOE1677349	REQ						Shim		THICK = 3,00 MM
24	VOE1677350	REQ						Shim		THICK = 3,05 MM
24	VOE1677351	REQ						Shim		THICK = 3,10 MM
24	VOE1677352	REQ						Shim		THICK = 3,15 MM
24	VOE1677353	REQ						Shim		THICK = 3,20 MM
24	VOE1677354	REQ						Shim		THICK = 3,25 MM
24	VOE1677355	REQ						Shim		THICK = 3,30 MM
24	VOE1677356	REQ						Shim		THICK = 3,35 MM
24	VOE1677357	REQ						Shim		THICK = 3,40 MM
24	VOE1677358	REQ						Shim		THICK = 3,45 MM
24	VOE1677359	REQ						Shim		THICK = 3,50 MM
24	VOE1677360	REQ						Shim		THICK = 3,55 MM
24	VOE1677361	REQ						Shim		THICK = 3,60 MM
24	VOE1677362	REQ						Shim		THICK = 3,65 MM
24	VOE1677363	REQ						Shim		THICK = 3,70 MM
24	VOE1677364	REQ						Shim		THICK = 3,75 MM
24	VOE1677365	REQ						Shim		THICK = 3,80 MM
24	VOE1677366	REQ						Shim		THICK = 3,85 MM
24	VOE1677367	REQ						Shim		THICK = 3,90 MM
24	VOE1677368	REQ						Shim		THICK = 3,95 MM
25		24	24	24				Guide Pin		See ref 211/200
26		24	24	24				Valve spring		See ref 211/200
27		6	6	6				Rocker Arm		EXHAUST See ref 214/300

2624) Not Shown

Date: 2014/1/20	Image id: 1045178	Catalogue: 20072	Model: EC460B LC
Brand: Volvo	Serial: 11515-15000, 80001-85000	Group/Section: 214/200	Title: Valve mechanism 8279676, 8288735



Volvo Construction
Equipment
1045178

Section option	Kit	Option description
VOE8188746		Engine D12D-G, TIER3, BASED TIER2
VOE8188747		Engine D12D-O
VOE8188754		Engine D12DEAE2
VOE8279676		Engine without Epa label ENGINE TIER2 FOR KOREA & ROW
VOE8288735		Engine without Epa label

Q1-Q5	Option	Option description
Q1 ENG - 629701		
Q2 ENG 629702 - 644671		
Q3 ENG 644672 -		

Pos	Part	Q1	Q2	Q3	Q4	Q5	PS	Kit	Description	Option(s)	Remark
1	VOE21052622	1	1	1					Valve cover		(VOE20536911)

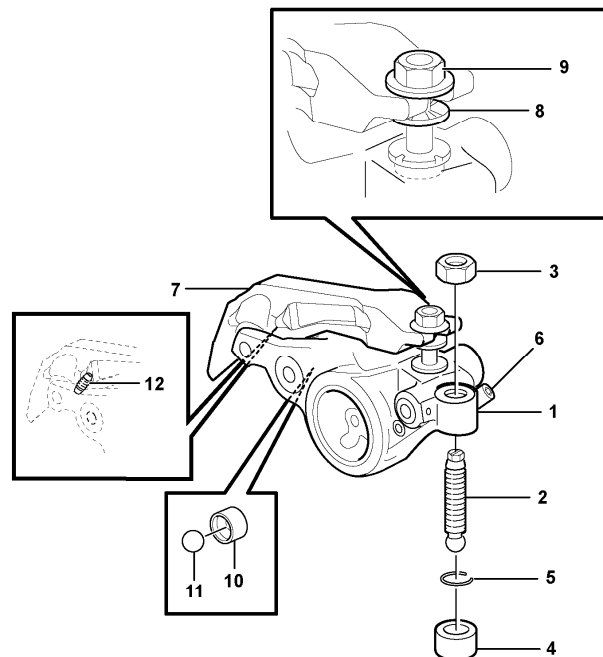
1	VOE20545681	1	1	1			NS		•Valve Cover		
2	VOE20807510	1	1	1					•Oil filler cap		
3		1	1	1			NS		••Gasket		
4	VOE21070576	1	1	1					Sealing strip		(VOE8170116)
5	VOE3964604	16	16	16					Bushing		
6	VOE8148488	16	16	16					Lock nut		
7	VOE424543	1							Rubber cap		E PROD
8	VOE943476	1							Hose clamp		E PROD
9	VOE8170158	1	1	1					Rocker arm shaft		
9	VOE8170159	1	1	1			OP		•Rocker arm shaft		
10	VOE980176	2	2	2					•Expansion plug		
11	VOE20738717	6							Rocker Arm		INLET
11	VOE21024794		6	6					Rocker arm		INLET
11	VOE1547965	6	6	6			OP		•Rocker arm		
11	VOE1546690	6	6	6			NS		••Rocker arm		
12	VOE1546681	6	6	6					••Bushing		
	VOE1546046	6	6	6					•Bushing		See footnote 2624)
13	VOE1546458	6	6	6					•Ball stud		
14	VOE13946911	6	6	6					•Nut		
15	VOE20441753	6							•Ball socket		(VOE11707340)
15	VOE21054149		6	6					•Ball socket		
16	VOE944364	6	6	6					••O-ring		
17	VOE20441755	6					OP		••Ball socket		
17	VOE21054152		6	6					••Ball Socket		
18	VOE20738748	6							Rocker Arm		INJECTOR
18	VOE21023450		6						Rocker arm		INJECTOR
18	VOE21089229		6	6					Rocker arm		INJECTOR 21089229
18	VOE20381704	6	6	6			OP		•Rocker arm		
19	VOE3155127	6	6				SS		•Bushing		
19	VOE21081469			6					•Bushing		
	VOE1546685	6	6						•Bushing		See footnote 2624)
20	VOE1546775	6	6	6					•Ball stud		
21	VOE1677396	6	6	6					•Hexagon nut		
22	VOE3964817	12	12	12					•Jet		
23	VOE21024789	6							Rocker arm		(VOE20738736) EXHAUST
23	VOE21024789		6	6					Rocker arm		EXHAUST
23	VOE1547964	6					NS		•Rocker Arm		
23	VOE1546688		6	6			NS		•Rocker Arm		
24	VOE1546681	6							••Bushing		
24	VOE1546681		6	6					•Bushing		
25	VOE1546458	6	6	6					•Ball stud		

26	VOE13946911	6	6	6					•Nut		
27	VOE20441753	6							•Ball socket		
27	VOE21054149		6	6					•Ball socket		
28	VOE944364	6	6	6					••O-ring		
29	VOE20441755	6						OP	••Ball socket		
29	VOE21054152		6	6				NS	••Ball Socket		
30	VOE3183207	12	12	12					Valve cap		
31	VOE1547967	REQ							Shim		THICK = 2,00 MM
31	VOE1547968	REQ							Shim		THICK = 2,05 MM
31	VOE1547969	REQ							Shim		THICK = 2,10 MM
31	VOE1547970	REQ							Shim		THICK = 2,15 MM
31	VOE1547971	REQ							Shim		THICK = 2,20 MM
31	VOE1547972	REQ							Shim		THICK = 2,25 MM
31	VOE1547973	REQ							Shim		THICK = 2,30 MM
31	VOE1547974	REQ							Shim		THICK = 2,35 MM
31	VOE1547975	REQ							Shim		THICK = 2,40 MM
31	VOE1547976	REQ							Shim		THICK = 2,45 MM
31	VOE1547977	REQ							Shim		THICK = 2,50 MM
31	VOE1547978	REQ							Shim		THICK = 2,55 MM
31	VOE1547979	REQ							Shim		THICK = 2,60 MM
31	VOE1547980	REQ							Shim		THICK = 2,65 MM
31	VOE1547981	REQ							Shim		THICK = 2,70 MM
31	VOE1547982	REQ							Shim		THICK = 2,75 MM
31	VOE1547983	REQ							Shim		THICK = 2,80 MM
31	VOE1547984	REQ							Shim		THICK = 2,85 MM
31	VOE1677347	REQ							Shim		THICK = 2,90 MM
31	VOE1677348	REQ							Shim		THICK = 2,95 MM
31	VOE1677349	REQ							Shim		THICK = 3,00 MM
31	VOE1677350	REQ							Shim		THICK = 3,05 MM
31	VOE1677351	REQ							Shim		THICK = 3,10 MM
31	VOE1677352	REQ							Shim		THICK = 3,15 MM
31	VOE1677353	REQ							Shim		THICK = 3,20 MM
31	VOE1677354	REQ							Shim		THICK = 3,25 MM
31	VOE1677355	REQ							Shim		THICK = 3,30 MM
31	VOE1677356	REQ							Shim		THICK = 3,35 MM
31	VOE1677357	REQ							Shim		THICK = 3,40 MM
31	VOE1677358	REQ							Shim		THICK = 3,45 MM
31	VOE1677359	REQ							Shim		THICK = 3,50 MM
31	VOE1677360	REQ							Shim		THICK = 3,55 MM
31	VOE1677361	REQ							Shim		THICK = 3,60 MM
31	VOE1677362	REQ							Shim		THICK = 3,65 MM
31	VOE1677363	REQ							Shim		THICK = 3,70 MM
31	VOE1677364	REQ							Shim		THICK = 3,75 MM
31	VOE1677365	REQ							Shim		THICK = 3,80 MM
31	VOE1677366	REQ							Shim		THICK = 3,85 MM
31	VOE1677367	REQ							Shim		THICK = 3,90 MM

31	VOE1677368	REQ							Shim		THICK = 3,95 MM
32		24	24	24					Guide Pin		See ref 211/200
33		24	24	24					Valve spring		See ref 211/200

2624) Not Shown

Date: 2014/1/20	Image id: 1045177	Catalogue: 20072	Model: EC460B LC
Brand: Volvo	Serial: 11515-15000, 80001-85000	Group/Section: 214/300	Title: Rocker arm 8279675, 8288737



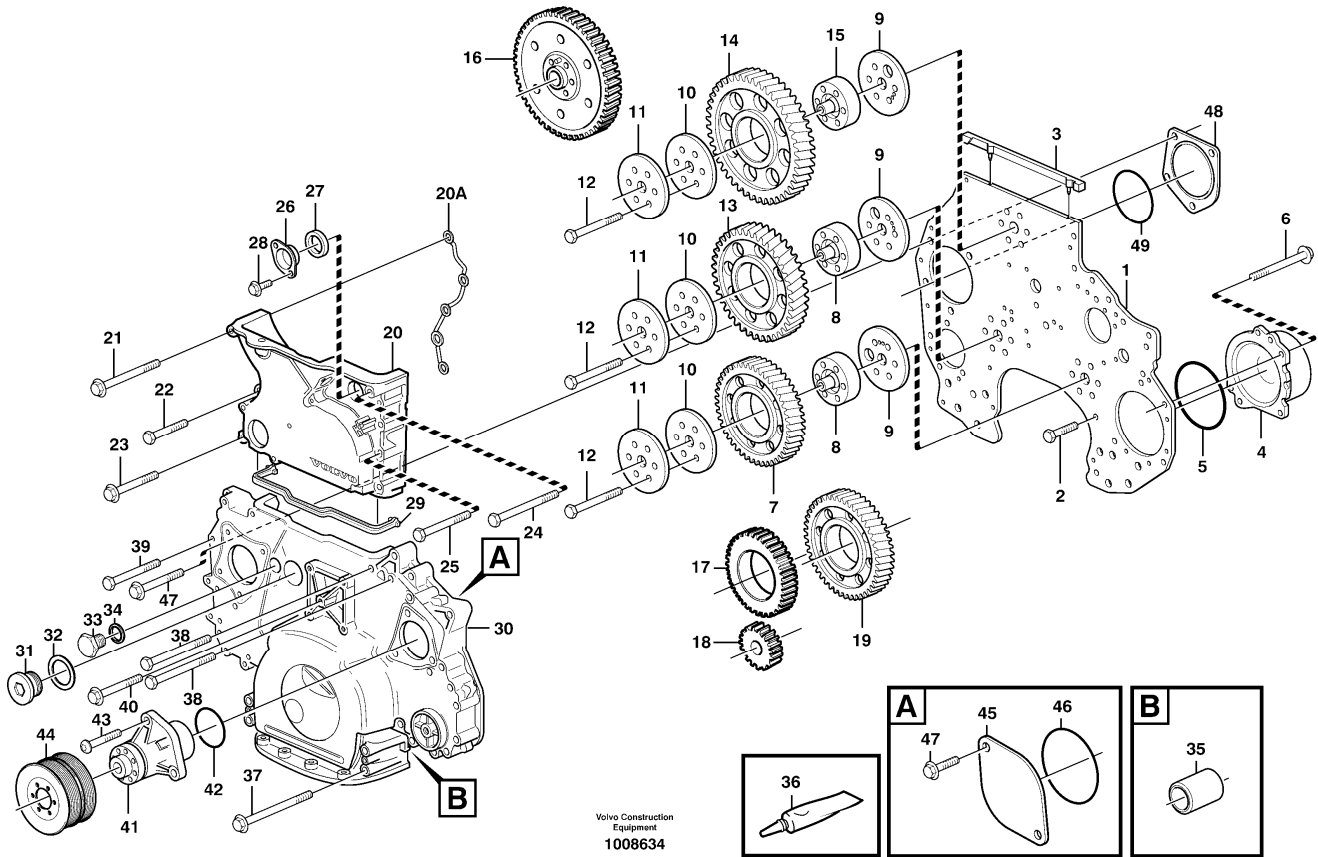
Volvo Construction
Equipment
1045177

Section option	Kit	Option description
VOE8188756		Engine D12D TIER 3
VOE8188757		Engine D12D-P
VOE8188764		Engine D12DEAE3
VOE8279675		Engine with Epa label EMISSION CERTIFICATED FOR EU & EPA
VOE8288737		Engine with Epa label EMISSION CERTIFICATED FROM EU AND EPA

Q1-Q5	Option	Option description	
Q1 ENG - 595499			
Q2 ENG 595500 - 627997			
Q3 ENG 627998 - 646559			
Q4 ENG 646560 - E PROD			
Q5 L PROD			

Pos	Part	Q1	Q2	Q3	Q4	Q5	PS	Kit	Description	Option(s)	Remark
1	VOE20837568	1					SS		Rocker Arm		EXHAUST
1	VOE20849117		1				SS		Rocker Arm		EXHAUST
1	VOE21243114			1					Rocker arm		(VOE21048998) EXHAUST
1	VOE21084232				1		NS		Rocker Arm		EXHAUST 21084232
1	VOE21243114					1			Rocker arm		EXHAUST
1	VOE20526262	1					OP		•Rocker arm		
1	VOE20525170		1				NS		•Rocker Arm		
1	VOE21088680			1			NS		•Rocker Arm		
1	VOE21088675				1		NS		•Rocker Arm		
1	VOE21243110					1	NS		•Rocker Arm		
2	VOE1546458	1	1	1	1	1			•Ball stud		
3	VOE13946911	1	1	1	1	1			•Nut		
4	VOE20441753	1	1						•Ball socket		
4	VOE21054149			1	1	1			•Ball socket		
5	VOE944364	1	1	1	1	1			••O-ring		
6	VOE20792089	1	1						•Nipple		
6	VOE20916960			1	1	1			•Nipple		
7	VOE20525325	1	1	1			OP		•Rocker arm		
7	VOE21084235				1	1	NS		•Rocker Arm		
8	VOE20524954	1	1	1	1	1	OP		•Sleeve		
9	VOE20524958	1	1	1	1	1			•Nut		
10	VOE20545583	1					NS		•Valve seat		
10	VOE20810847		1	1	1	1			•Valve seat		
11	VOE67089	1	1	1	1	1	NS		•Ball		
12	VOE3964817	1	1	1		1			•Jet		

Date: 2014/1/20	Image id: 1008634	Catalogue: 20072	Model: EC460B LC
Brand: Volvo	Serial: 11515-15000, 80001-85000	Group/Section: 215/100	Title: Timing gear casing and gears ENG - 645018



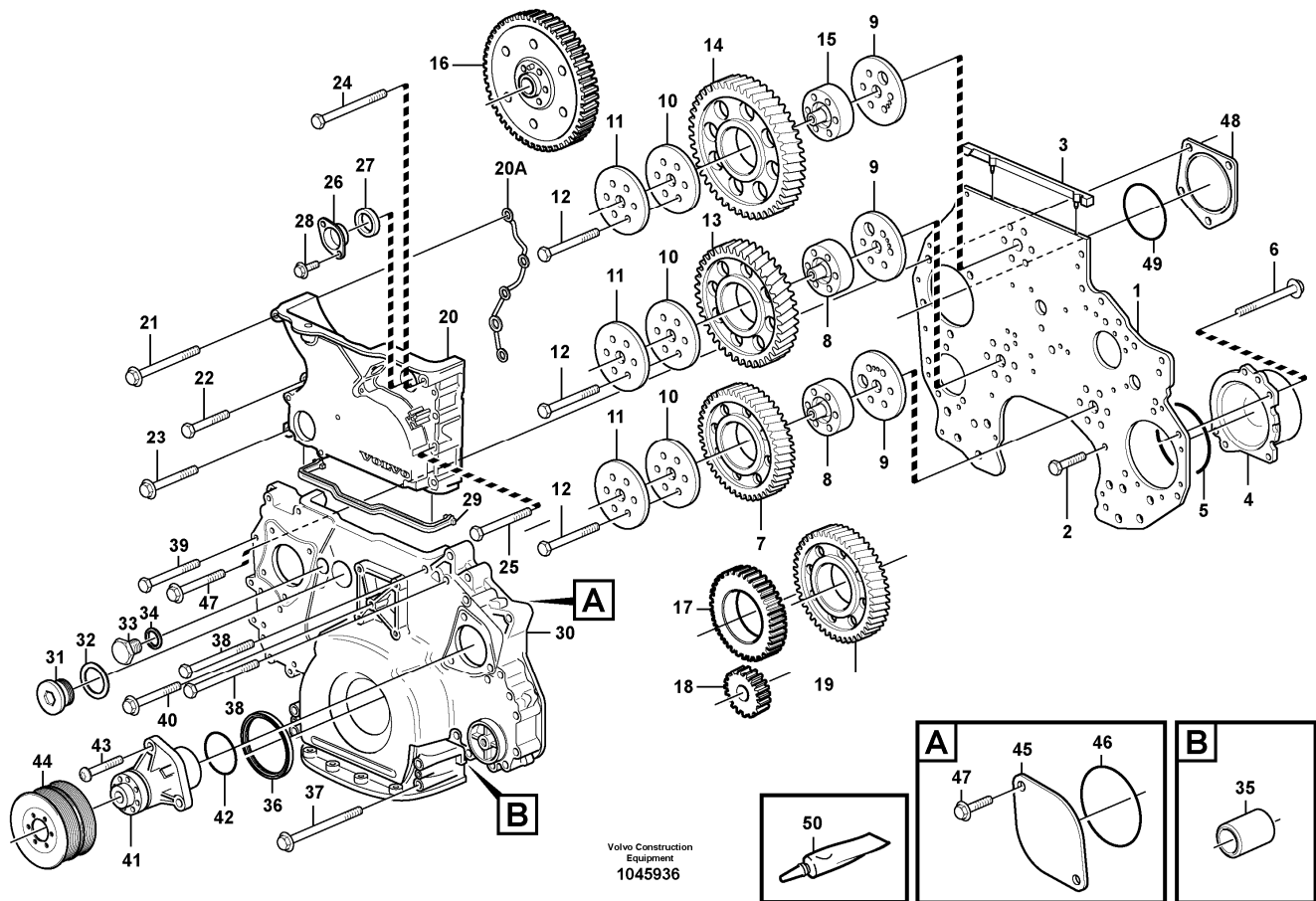
Section option	Kit	Option description
VOE8188746		Engine D12D-G, TIER3, BASED TIER2
VOE8188747		Engine D12D-O
VOE8188754		Engine D12DEAE2
VOE8188756		Engine D12D TIER 3
VOE8188757		Engine D12D-P
VOE8188764		Engine D12DEAE3
VOE8279675		Engine with Epa label EMISSION CERTIFICATED FOR EU & EPA
VOE8279676		Engine without Epa label ENGINE TIER2 FOR KOREA & ROW
VOE8288735		Engine without Epa label
VOE8288737		Engine with Epa label EMISSION CERTIFICATED FROM EU AND EPA

Q1-Q5	Option	Option description	
Q1 8279675 8288737	VOE8279675	Engine with Epa label EMISSION CERTIFICATED FOR EU & EPA	
Q2 8279676 8288735	VOE8279676	Engine without Epa label ENGINE TIER2 FOR KOREA & ROW	

Pos	Part	Q1	Q2	Q3	Q4	Q5	PS	Kit	Description	Option(s)	Remark
1	VOE8170561	1	1						Xmsn Plate		
2	VOE946470	17	17						Flange screw		
3	VOE20489341	1	1						Gasket		
4	VOE11128611	1	1						Bearing housing		
5	VOE13949736	1	1						O-ring		
6	VOE965197	4	4						Flange screw		(VOE13965197)
7	VOE8170193	1	1						Idler gear		
8	VOE8170219	2	2						Hub		
9	VOE8170220	3	3						Thrust washer		
10	VOE3184865	3	3						Thrust washer		
11	VOE3184868	3	3						Bearing shield		
12	VOE1547886	18	18						Screw		
13	VOE8170195	1	1						Idler gear		
14	VOE8170197	1	1						Idler gear		
15	VOE8170199	1	1						Hub		
16		1	1						Gear		See ref 215/200
17		1	1						Idler gear		See ref 221/200
18		1	1						Gear		See ref 221/200
19		1	1				NS		Gear		See ref 262/100
20	VOE20713791	1	1						Tmg Gear Cover		
20A	VOE3830184	1	1						Sealing		
21	VOE968553	1	1						Flange screw		L = 115 MM
22	VOE13965182	3	3						Screw		L = 80 MM
23	VOE13965183	1	1						Flange screw		L = 90 MM
24	VOE13965190	1	1						Screw		L = 100 MM
25	VOE13965223	1	1						Screw		L = 75 MM
25	VOE13947790	2	2						Screw		L = 80 MM
26	VOE11129289	1	1						Adapter		
27	VOE20555696	1	1						Sealing ring		
28	VOE946440	2	2						Flange screw		
29	VOE20714247	1	1						Seg moulding		
30	VOE3835799	1	1						Tmg Gear Cover		
30	VOE3835798	1	1				NS		•Tmg gear cover		
31	VOE467367	1	1						•Plug		
32	VOE1556907	1	1						•Gasket		
33	VOE13960632	1	1						•Plug		
34	VOE948884	1	1						•Plane gasket		
35	VOE1547940	2	2						•Pin		
36	VOE11713514	REQ	REQ						Sealant		(VOE1161231)
36	VOE1161277	REQ	REQ						Sealant		
37	VOE973096	4	4						Flange screw		L = 130 MM
38	VOE13947790	2	2						Screw		L = 80 MM
39	VOE955302	11	11						Hexagon screw		L = 60 MM
39	VOE13965181	1	1						Screw		L = 70 MM
40	VOE13965183	1	1						Flange screw		L = 90 MM
41		1	1						Driving Device		See ref 215/175

42	VOE967344	1	1						O-ring		
43	VOE13946752	1	1						Screw		
44		1	1						Pulley		See ref 263/100
45	VOE3828400	1	1						Cover		
46	VOE967344	1	1						O-ring		
47	VOE946441	2	2						Flange screw		
48	VOE1556208	1	1						Cover		
49	VOE13948888	1	1						O-ring		

Date: 2014/1/20	Image id: 1045936	Catalogue: 20072	Model: EC460B LC
Brand: Volvo	Serial: 11515-15000, 80001-85000	Group/Section: 215/150	Title: Timing gear casing and gears ENG 645019 -



Section option	Kit	Option description
VOE8188747		Engine D12D-O
VOE8188757		Engine D12D-P
VOE8288735		Engine without Epa label
VOE8288737		Engine with Epa label EMISSION CERTIFICATED FROM EU AND EPA

Q1-Q5	Option	Option description
Q1 ENG - 656061		
Q2 ENG 656062 -		

Pos	Part	Q1	Q2	Q3	Q4	Q5	PS	Kit	Description	Option(s)	Remark
1	VOE8170561	1	1						Xmsn Plate		
2	VOE946470	17	17						Flange screw		
3	VOE20489341	1	1						Gasket		
4	VOE11128611	1	1						Bearing housing		



Suggest:

For more complete manuals. Please go to the home page.

<https://www.ebooklibonline.com>

If the above button click is invalid. Please download this document first, and then click the above link to download the complete manual.

Thank you so much for reading

5	VOE13949736	1	1					O-ring		
6	VOE965197	4	4					Flange screw		(VOE13965197)
7	VOE8170193	1	1					Idler gear		
8	VOE8170219	2	2					Hub		
9	VOE8170220	3	3					Thrust washer		
10	VOE3184865	3	3					Thrust washer		
11	VOE3184868	3	3					Bearing shield		
12	VOE1547886	18	18					Screw		
13	VOE8170195	1	1					Idler gear		
14	VOE8170197	1	1					Idler gear		
15	VOE8170199	1	1					Hub		
16		1	1					Gear		See ref 215/200
17		1	1					Idler gear		See ref 221/200
18		1	1					Gear		See ref 221/200
19		1	1				NS	Gear		See ref 262/100
20	VOE20713791	1	1					Tmg Gear Cover		
20A	VOE3830184	1	1					Sealing		
21	VOE968553	1	1					Flange screw		L = 115 MM
22	VOE13965182	3	3					Screw		L = 80 MM
23	VOE13965183	1	1					Flange screw		L = 90 MM
24	VOE13965190	1	1					Screw		L = 100 MM
25	VOE13965223	1	1					Screw		L = 75 MM
25	VOE13947790	2	2					Screw		L = 80 MM
26	VOE11129289	1	1					Adapter		
27	VOE20555696	1	1					Sealing ring		
28	VOE946440	2	2					Flange screw		
29	VOE20714247	1	1					Seg moulding		
30	VOE21122283	1					SS	Timing gear cover		
30	VOE21424752		1					Timing gear cover		
30	VOE21206533	1	1					•Timing gear cover		
30	VOE3595444	1	1				NS	••Tmg gear cover		
31	VOE467367	1	1					••Plug		
32	VOE1556907	1	1					••Gasket		
33	VOE13960632	1	1					••Plug		
34	VOE948884	1	1					••Plane gasket		
35	VOE1547940	2	2					••Pin		
36	VOE85108423	1						•Crankshaft seal		
36	VOE21081526		1				NS	•Crankshaft Seal		
37	VOE973096	4	4					Flange screw		L = 130 MM
38	VOE13947790	2	2					Screw		L = 80 MM
39	VOE955302	11	11					Hexagon screw		L = 60 MM
39	VOE13965181	1	1					Screw		L = 70 MM
40	VOE13965183	1	1					Flange screw		L = 90 MM
41		1	1					Driving Device		See ref 215/175
42	VOE967344	1	1					O-ring		
43	VOE13946752	1	1					Screw		
44		1	1					Pulley		See ref 263/100

45	VOE3828400	1	1						Cover		
46	VOE967344	1	1						O-ring		
47	VOE946441	2	2						Flange screw		
48	VOE1556208	1	1						Cover		
49	VOE13948888	1	1						O-ring		
50	VOE11713514	REQ	REQ						Sealant		(VOE1161231)
50	VOE1161277	REQ	REQ						Sealant		

<https://www.ebooklibonline.com>

Hello dear friend!

Thank you very much for reading.

Enter the link into your browser.

The full manual is available for immediate download.

<https://www.ebooklibonline.com>