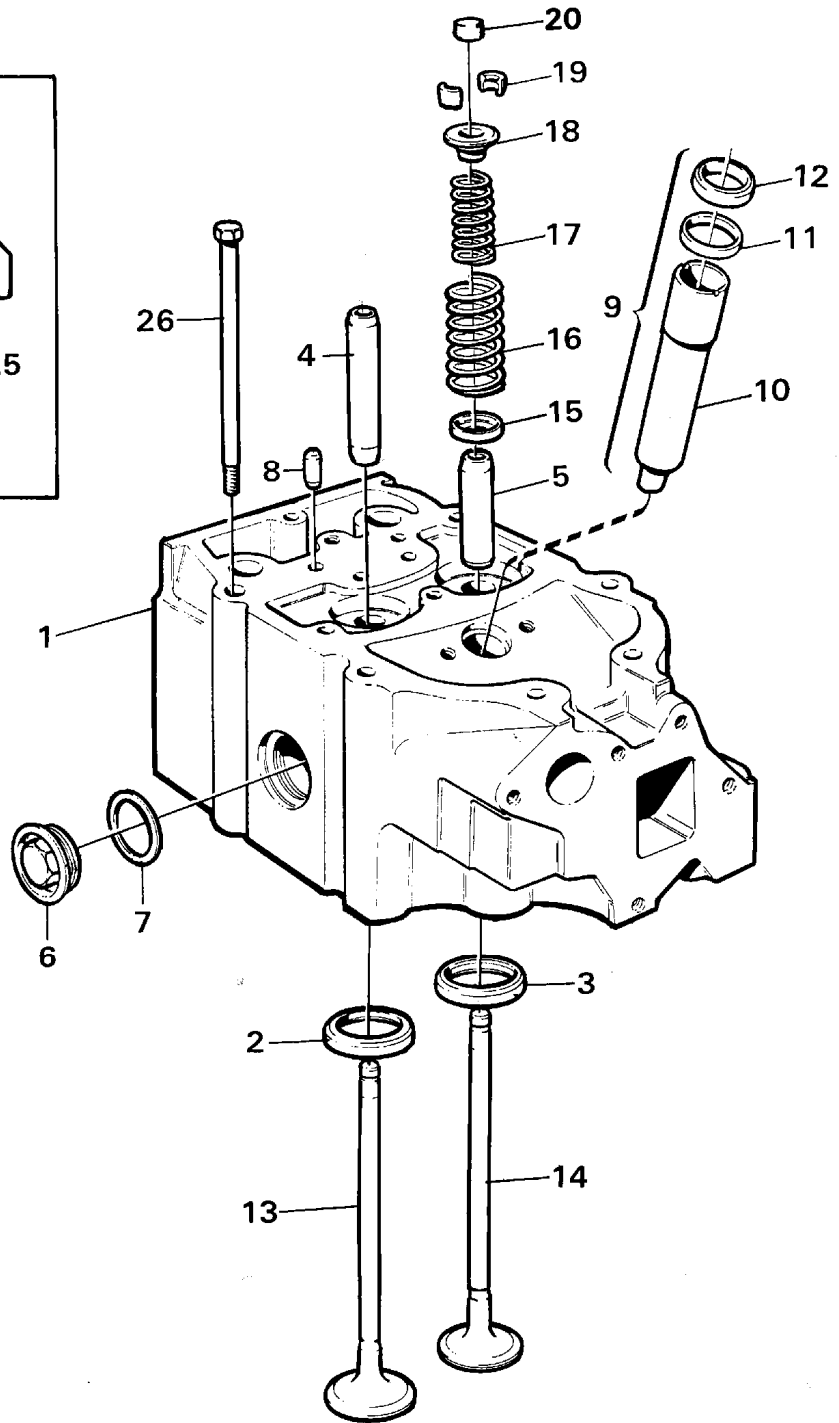
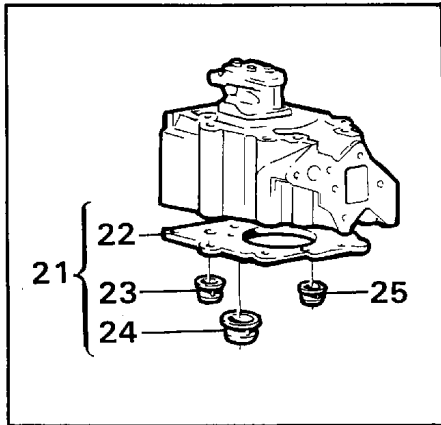


Date: 2014/1/18	Image id: FL103	Catalogue: 99514	Model: EC450
Brand: Åkerman	Serial: 1601-1781	Group/Section: 211/100	Title: Cylinder head.

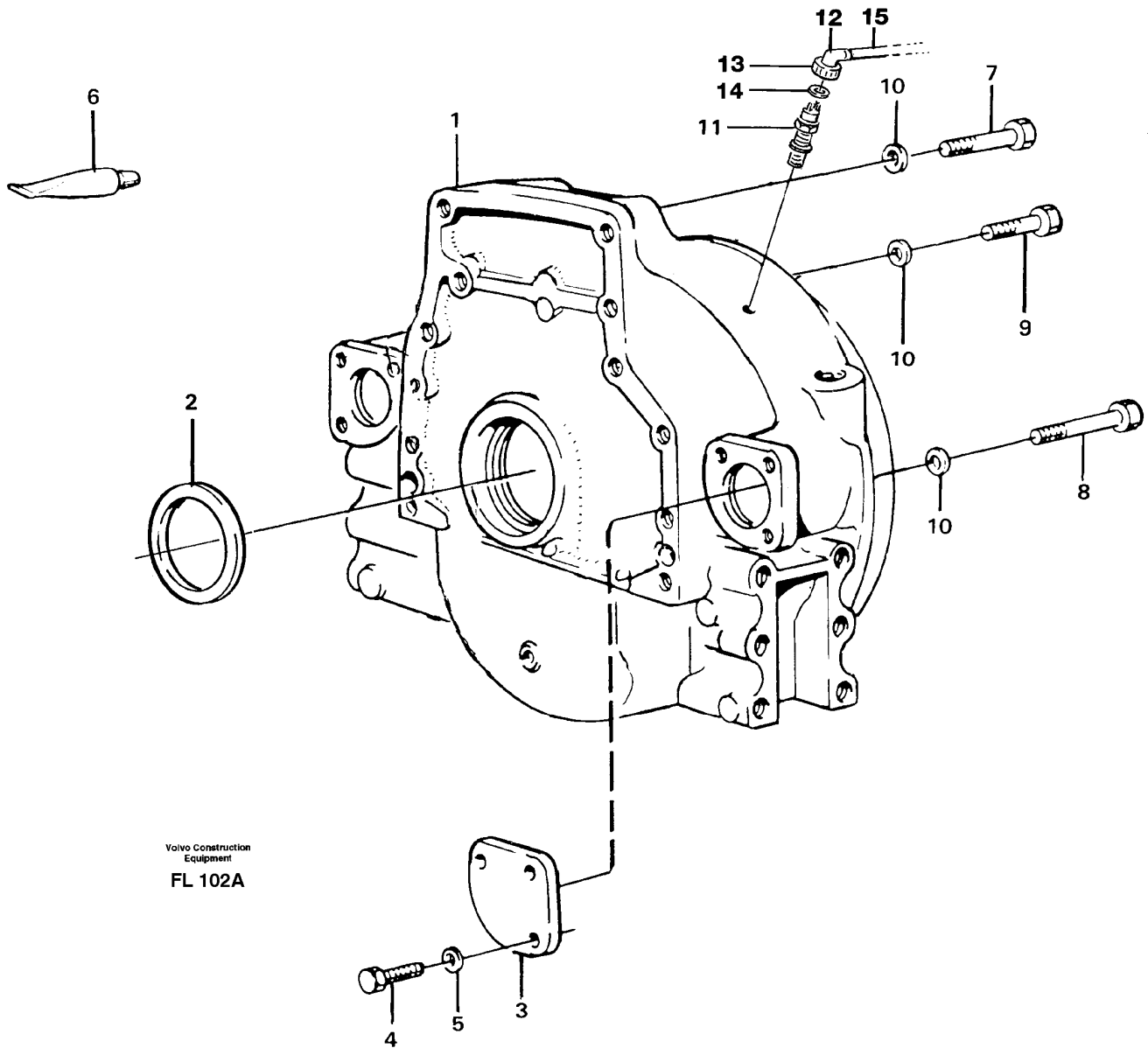


VME Parts AB
FL 103
PRINTED IN SWEDEN

Pos	Part	Q1	Q2	Q3	Q4	Q5	PS	Kit	Description	Option(s)	Remark
	VOE479952	6							Cylinder head		
1	VOE479942	6					NS		•Cylinder head		

2	VOE423011	6							••Valve seat		STD D
2	VOE423208	6							••Valve seat		0.2 MM O SZ
3	VOE468448	6							••Valve seat		STD D
3	VOE468449	6							••Valve seat		0.2 MM O SZ
4	VOE422320	6							••Valve Guide		
5	VOE1545135	6							••Valve Guide		
6	VOE467365	12							••Plug		(467714)
7	VOE469327	12							••Gasket		(VOE468461)
8	VOE14025455	12							••Cylinder Pin		
9	VOE273983	6							••Repair Kit		
10	VOE470247	6							•••Sleeve		
11	VOE466405	6							•••Sealing ring		
12	VOE466420	6							•••Ring		
13	VOE468302	6							•Valve		Inlet / inlopp
14	VOE468303	6							•Valve		Outlet / utlopp
15	VOE468065	12							•Washer		
16	VOE468067	12							•Spring		
17	VOE468066	12							•Spring		
18	VOE468304	12							•Washer		
19	VOE468305	24							•Valve Collet		
20	VOE478074	12							•Valve Cap		
21	VOE270949	6							Gasket Kit		
22	VOE470837	6					NS		•Gasket		
23	VOE422415	12							•Sealing ring		
24	VOE423326	12							•Sealing ring		
25	VOE422413	6							•Sealing ring		
26	VOE470261	48							Screw		

Date: 2014/1/18	Image id: FL102A	Catalogue: 99514	Model: EC450
Brand: Åkerman	Serial: 1601-1781	Group/Section: 212/50	Title: Flywheel housing



Pos	Part	Q1	Q2	Q3	Q4	Q5	PS	Kit	Description	Option(s)	Remark
1	VOE11701057	1					OP		Casing		
2	VOE3825164	1					SS		•Sealing ring		
3	VOE423081	1							•Seal Flange		
4	VOE13940114	3							•Screw		
5	VOE13942336	3							•Spring Washer		
6	VOE11713514	REQ							Sealant		(VOE1161231)
7	VOE955582	2							Hexagon screw		
8	VOE955587	2							Screw		

<https://www.ebooklibonline.com>

Hello dear friend!

Thank you very much for reading.

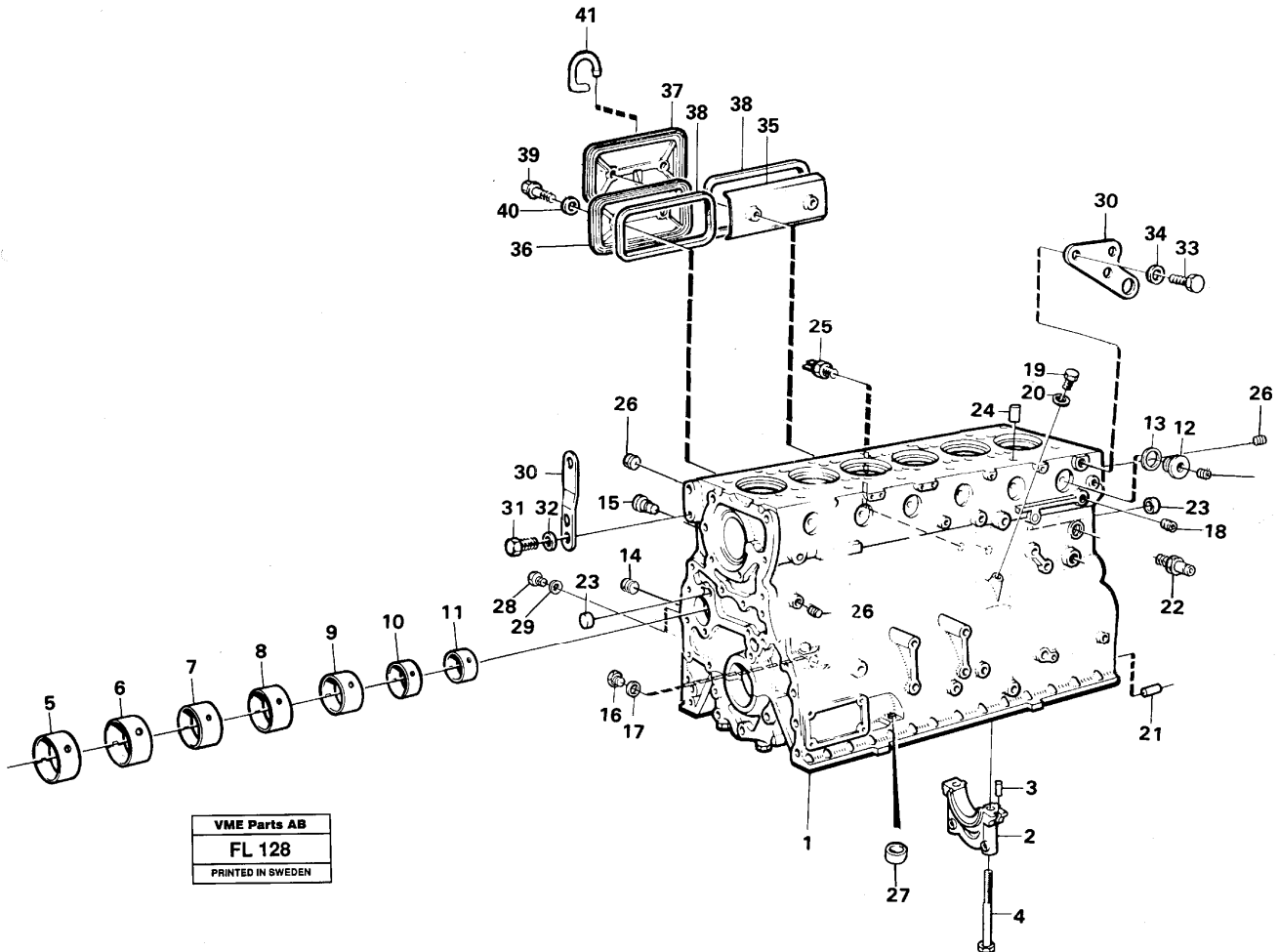
Enter the link into your browser.

The full manual is available for immediate download.

<https://www.ebooklibonline.com>

9	VOE955580	8							Hexagon screw		
10	VOE941911	12							Spring Washer		
11	VOE11039533	1							Ind Sensor		
12	VOE14215393	1							Elbow Union		
13	VOE14214595	1					SS		Nut		
14	VOE14214594	1					SS		Sealing ring		
15		1							Wire harness		See ref 372/800

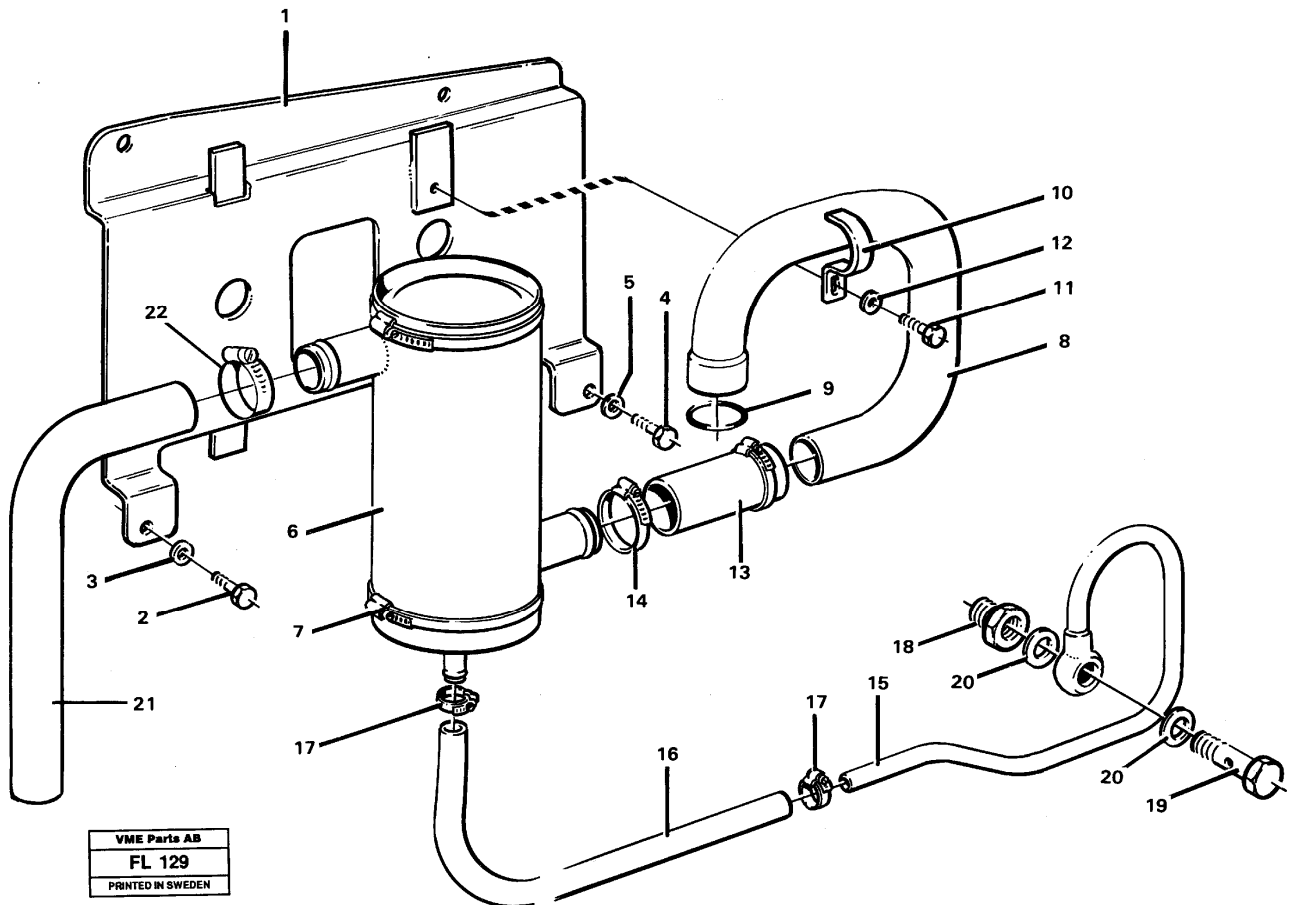
Date: 2014/1/18	Image id: FL128	Catalogue: 99514	Model: EC450
Brand: Åkerman	Serial: 1601-1781	Group/Section: 212/100	Title: Cylinder block



Pos	Part	Q1	Q2	Q3	Q4	Q5	PS	Kit	Description	Option(s)	Remark
1	VOE478992	1							Cylinder block		(VOE479750)
2		7					NS		•Cap		
3	VOE422426	1							•Pin		
4	VOE423444	14							•Screw		
5	VOE422076	1							•Bushing		
6	VOE422077	1							•Bushing		
7	VOE422078	1							•Bushing		
8	VOE1100014	1							•Bushing		
9	VOE422080	1							•Bushing		
10	VOE422081	1							•Bushing		
11	VOE422082	1							•Bushing		
12	VOE467367	6							•Plug		
13	VOE1556907	6							•Gasket		(VOE469328)

14	VOE13942734	1							•Plug		
15	VOE422369	7							•Plug		
16	VOE7016318	1							•Plug		
17	VOE13947281	1							•Gasket		
18	VOE479977	1							•Plug		(VOE952077)
19	VOE13961892	1							•Plug		
20	VOE13969011	1							•Gasket		
21	VOE191171	2							Pin		(VOE7191171)
22	VOE13946121	1							Nipple		
23	VOE13955083	3							Cap plug		(VOE955083)
24	VOE14025455	12							Cylinder Pin		(VOE950543)
25	VOE863169	1							Pressure monitor		
26	VOE479977	5							Plug		
27	VOE955082	2							Cap plug		
28	VOE13948187	1							Plug		
29	VOE13947625	1							Plane gasket		
30		4					NS		Lifting eye		
31	VOE955562	2							Hexagon screw		
32	VOE940280	2							Spring washer		
	VOE11033827	2							Bushing		
33	VOE13960783	2							Screw		
33	VOE955591	2							Hexagon screw		
34	VOE941912	4							Spring washer		
35	VOE422542	1							Splash plate		
36	VOE423120	2							Hatch		
37	VOE423121	1							Hatch		
38	VOE469823	3							Gasket		
39	VOE422541	6							Screw		
40	VOE471856	6							Sealing ring		
41		1							Breather pipe		See ref 212/150

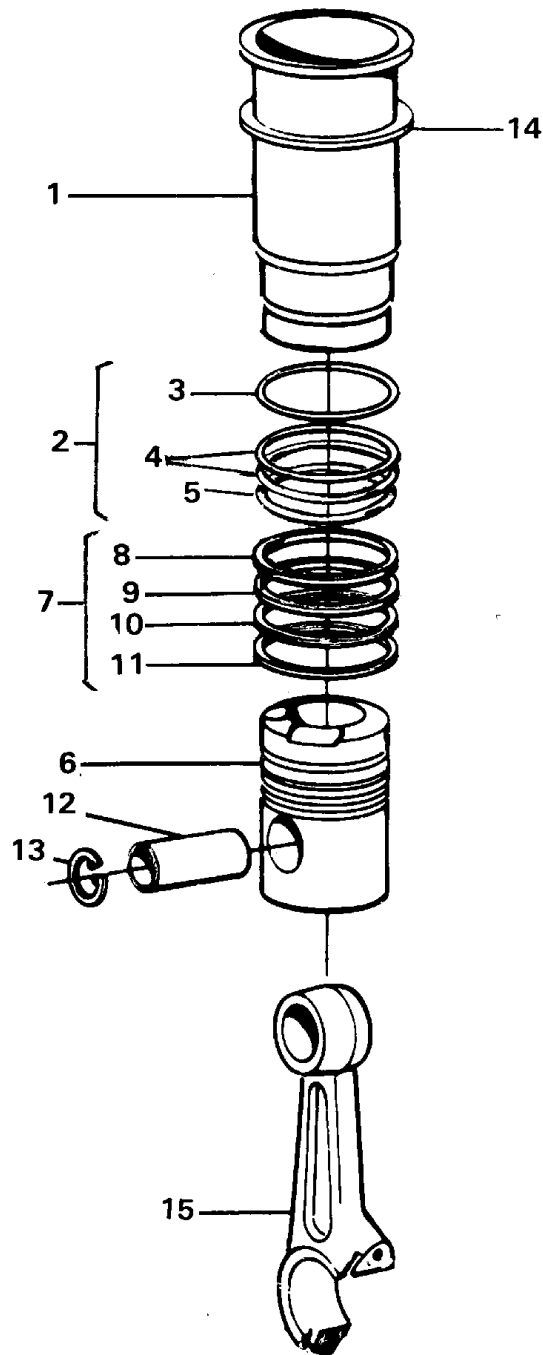
Date: 2014/1/18	Image id: FL129	Catalogue: 99514	Model: EC450
Brand: Åkerman	Serial: 1601-1781	Group/Section: 212/150	Title: Crankcase ventilation



Pos	Part	Q1	Q2	Q3	Q4	Q5	PS	Kit	Description	Option(s)	Remark
1	VOE11031926	1							Bracket		
2	VOE955560	2							Hexagon screw		
3	VOE940280	2							Spring washer		
4	VOE13940133	2							Screw		
5	VOE13942336	2							Spring washer		
6	VOE11033878	1							Oil trap		
7	VOE943483	2							Hose clamp		
8	VOE11031929	1							Tube		
9	VOE421158	1							Sealing ring		
10	VOE11031935	1							Clamp		
11	VOE940199	1							Hexagon screw		
12	VOE13955894	1							Washer		
13	VOE11031305	1							Hose		(VOE11031930)
14	VOE943476	2							Hose clamp		
15	VOE11031940	1							Pipe		(VOE11031932)

16	VOE983342	REQ							Hose		(VOE977316)L 500mm	=
17	VOE943470	2							Hose clamp			
18	VOE11031931	1							Reduction nipple			
19	VOE7025167	1							Hollow screw			
20	VOE13969011	2							Gasket			
21	VOE14046732	1							Hose			
22	VOE943476	1							Hose clamp			

Date: 2014/1/18	Image id: FL104	Catalogue: 99514	Model: EC450
Brand: Åkerman	Serial: 1601-1781	Group/Section: 213/100	Title: Cylinder liner and piston

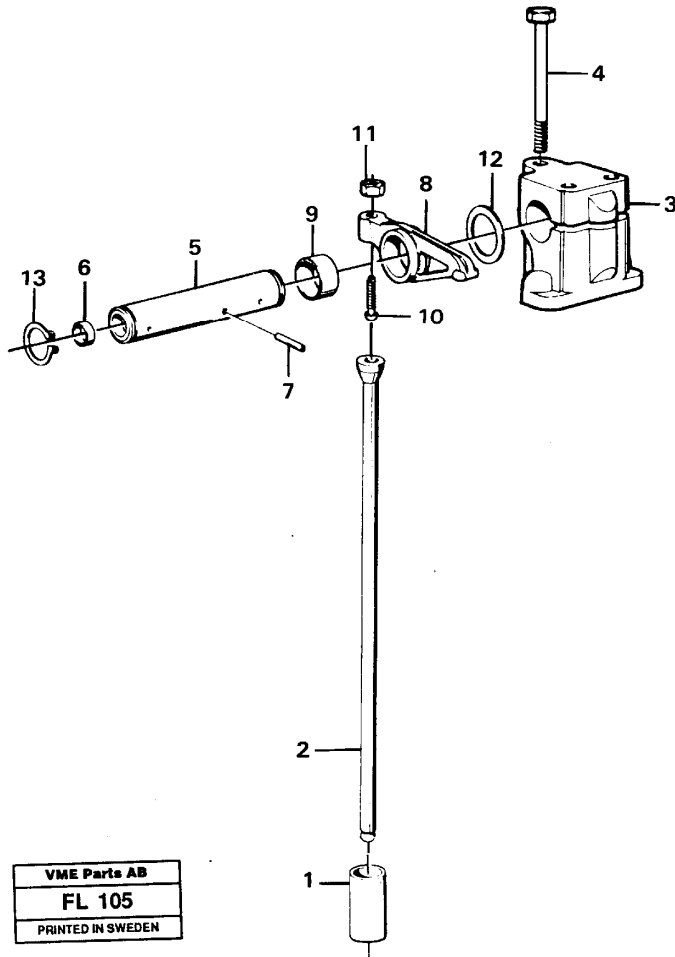


VME Parts AB
FL 104
PRINTED IN SWEDEN

Pos	Part	Q1	Q2	Q3	Q4	Q5	PS	Kit	Description	Option(s)	Remark
	VOE275634	6							Cylinder liner kit		
1	VOE478140	6					NS		•Cylinder liner		
2	VOE270950	6							•Sealing Kit		
3	VOE470922	6							••Seal Ring		

4	VOE470190	12					NS		••Sealing ring		
5	VOE424833	6					SE		••Sealing ring		
	VOE478150	6					NS		•Piston		
7	VOE270603	6							•Piston Ring Kit		
8	VOE470855	6					NS		••Compress. ring, upper		
9	VOE468033	6					NS		••Oil ring		
10	VOE478036	6					NS		••Compress. ring, lower		
11	VOE468587	6					NS		••Expanding- / oil ring		
12	VOE479875	6					NS		•Piston Pin		
13	VOE423124	12							•Lock Ring		
14	VOE468271	REQ							Shim		THICK = 0,2
14	VOE468272	REQ							Shim		THICK = 0,3
14	VOE468273	REQ							Shim		THICK = 0,5
15		1							Connecting rod		See ref 216/100

Date: 2014/1/18	Image id: FL105	Catalogue: 99514	Model: EC450
Brand: Åkerman	Serial: 1601-1781	Group/Section: 214/100	Title: Valve mechanism

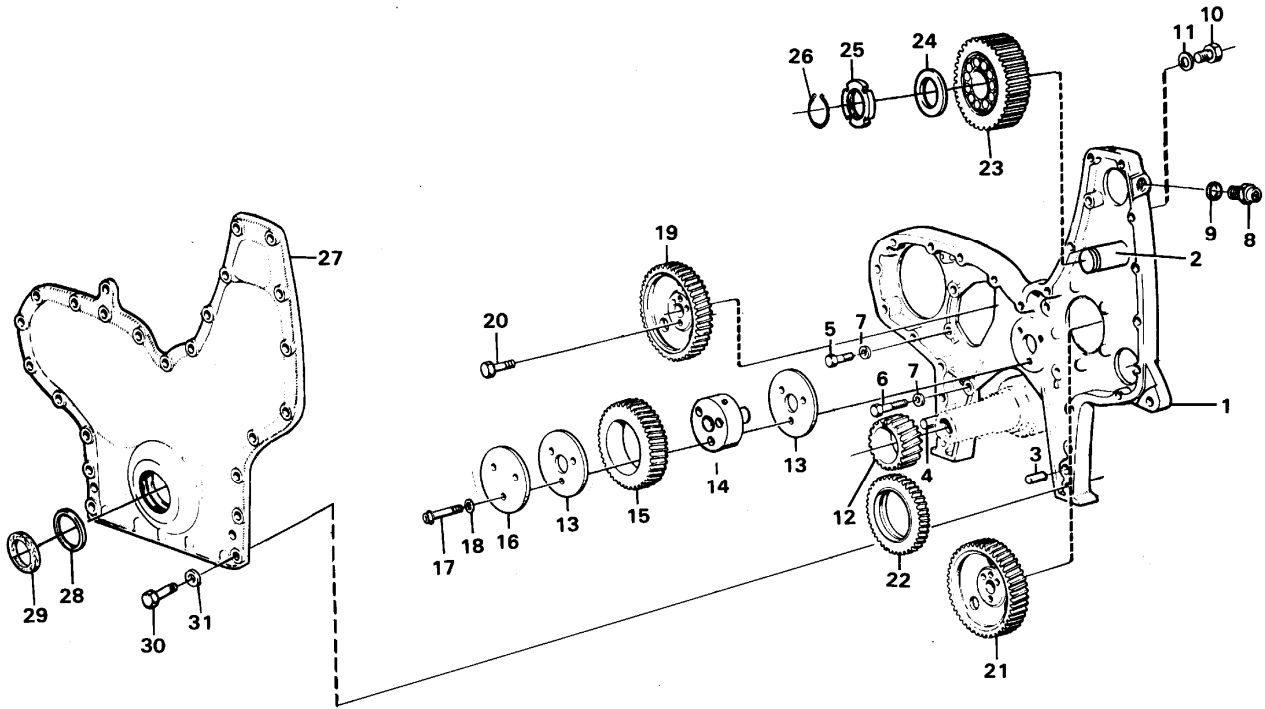


VME Parts AB
FL 105
PRINTED IN SWEDEN

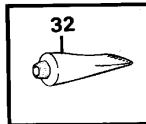
Pos	Part	Q1	Q2	Q3	Q4	Q5	PS	Kit	Description	Option(s)	Remark
1	VOE479863	12							Tappet		
2	VOE423021	12							Push rod		(VOE423021)
3	VOE423266	6							Bearing Bracket		
4	VOE423331	18							Screw		
5	VOE423267	6							Shaft		
6	VOE946778	12							•Cap plug		
7	VOE950499	6							•Pin		
8	VOE423263	12							Rocker arm		
9	VOE422066	12							•Bushing		
10	VOE422993	12							•Bolt		
11	VOE940175	12							•Nut		
12	VOE423269	12							Washer		
13	VOE914459	12							Retaining ring		

14	VOE423403	5							Cover		
15	VOE423404	1							Cover		
16	VOE424692	6							Gasket		
17	VOE13955527	12							Screw		(955527)
18	VOE942580	12							Gasket		
19	VOE421753	1							Filler cap		
20	VOE955126	3							•Cross recessed screw		
21	VOE1275379	1							Gasket		(VOE940096)

Date: 2014/1/18	Image id: FL106	Catalogue: 99514	Model: EC450
Brand: Åkerman	Serial: 1601-1781	Group/Section: 215/100	Title: Timing gear casing and gears



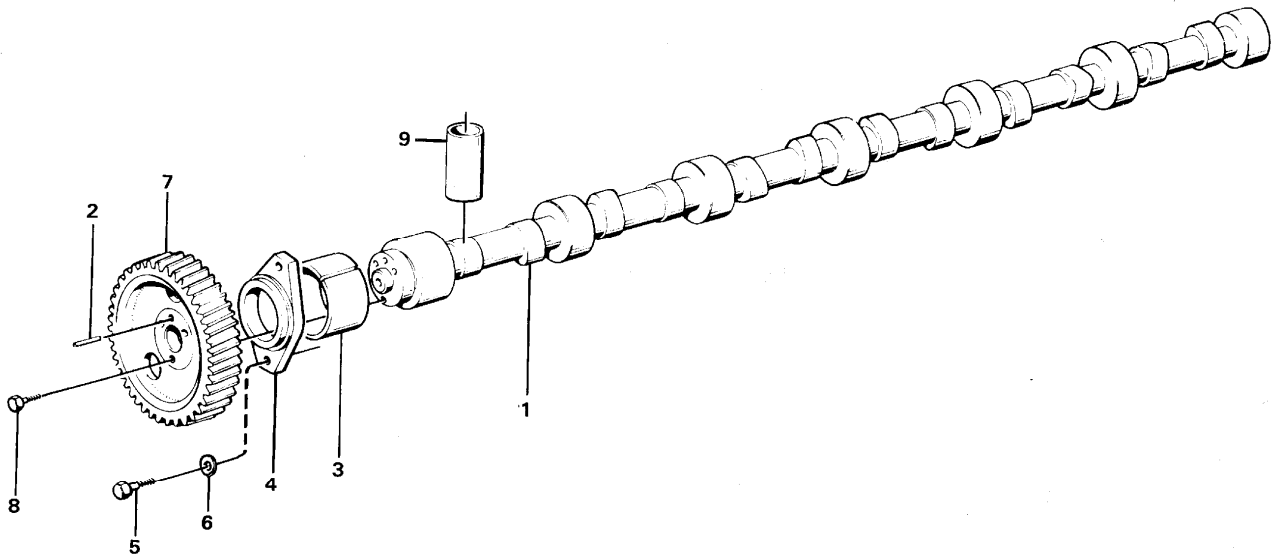
VME Parts AB
FL 106
PRINTED IN SWEDEN



Pos	Part	Q1	Q2	Q3	Q4	Q5	PS	Kit	Description	Option(s)	Remark
1	VOE479666	1					SS		Tmg Gear Casing		
	VOE8194639	1							Tmg Gear Casing		
	VOE478857	1					NS		•Timing gear casing		
2	VOE470219	1					SS		•Pin		
	VOE8194626	1							•Pin		
3	VOE13941510	1							•Pin		
4	VOE13941511	1							•Pin		
5	VOE13940159	4							Screw		L = 29
6	VOE13940159	1							Screw		
7	VOE13941907	5							Spring Washer		
8	VOE862289	1							Eng Sp Sensor		
9	VOE925059	1							O-ring		
10	VOE7192114	1							Plug		7/8UNF
10	VOE13960633	1							Plug		M20

11	VOE13947627	1							Plane Gasket		(VOE947627)
11	VOE13947625	1							Plane Gasket		
12		1							Gear, crank shaft		See ref 216/100
13	VOE478951	2							Thrust Washer		(VOE467529)
14	VOE8192636	1							Bearing spindle		(VOE479779)
15	VOE479653	1							Idler Gear		
	VOE479687	1							•Bushing		
16	VOE478954	1							Bearing Shield		
17	VOE468738	3							Screw		
18	VOE942180	3							Disc Spring		
19	VOE478297	1							Gear		
20	VOE471555	3							Screw		
21		1							Gear, injection pump		See ref 236/200
22		1							Idle gear		See ref 221/100
23	VOE478959	1							Idler Gear		
	VOE478783	1							•Bearing		
	VOE914532	1							•Snap Ring		
24	VOE470427	1							Wear Ring		
25	VOE478955	1							Round Nut		
26	VOE914532	1							Snap Ring		
27	VOE11031091	1							Cover		
28	VOE424983	1							•Sealing ring		
29	VOE941666	1							•Felt Ring		
30	VOE13940162	8							Screw		L = 38
30	VOE955540	2							Screw		L = 70
30	VOE955542	10							Screw		L = 83
30	VOE941939	4							Screw		
30	VOE955537	2							Screw		L = 51
31	VOE13942336	22							Spring Washer		
32	VOE1161277	REQ							Sealant		20 G

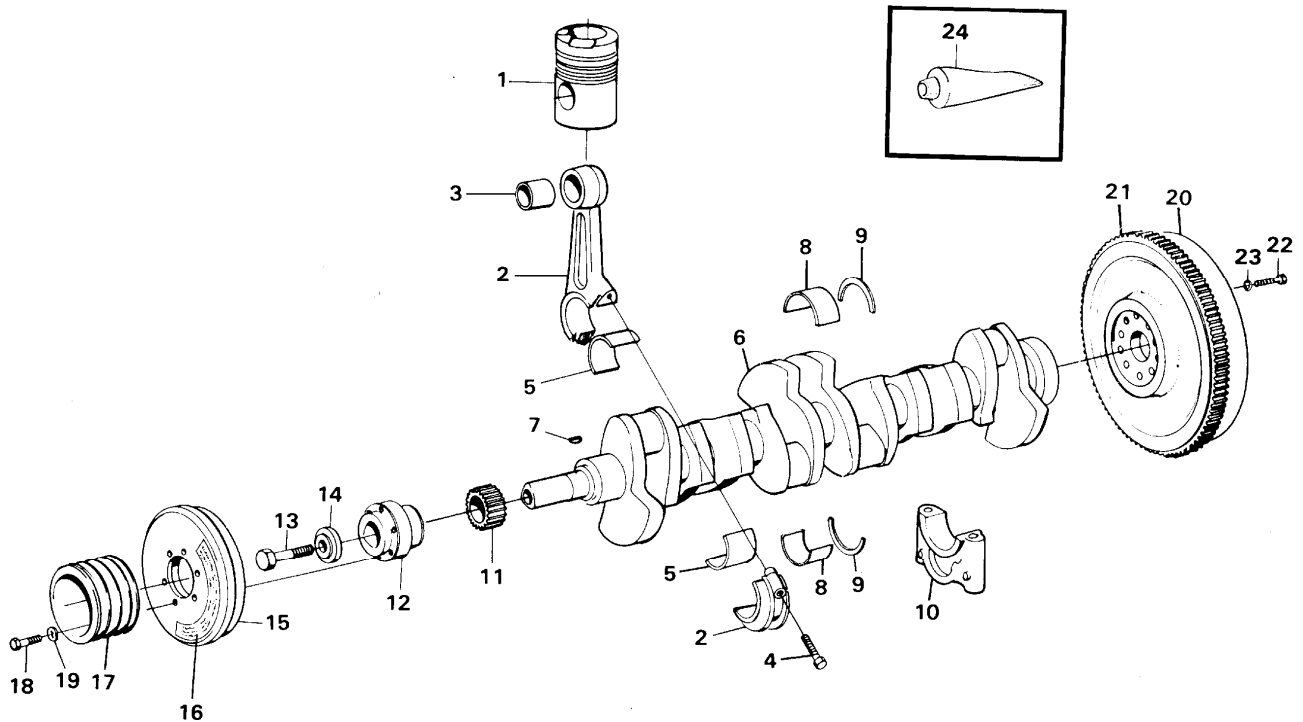
Date: 2014/1/18	Image id: FL107	Catalogue: 99514	Model: EC450
Brand: Åkerman	Serial: 1601-1781	Group/Section: 215/150	Title: Camshaft



VME Parts AB
FL 107
PRINTED IN SWEDEN

Pos	Part	Q1	Q2	Q3	Q4	Q5	PS	Kit	Description	Option(s)	Remark
1	VOE8193727	1							Camshaft		(VOE479620)
2	VOE950588	1							•Pin		
3		7							Bushing		See ref 212/100
4	VOE465789	1							Flange		(VOE469324)
5	VOE13940115	2							Screw		
6	VOE13942336	2							Spring washer		
7		1							Camshaft gear		See ref 215/100
8		3							Screw		See ref 215/100
9		12							Tappet		See ref 214/100

Date: 2014/1/18	Image id: FL108	Catalogue: 99514	Model: EC450
Brand: Åkerman	Serial: 1601-1781	Group/Section: 216/100	Title: Crankshaft and related parts

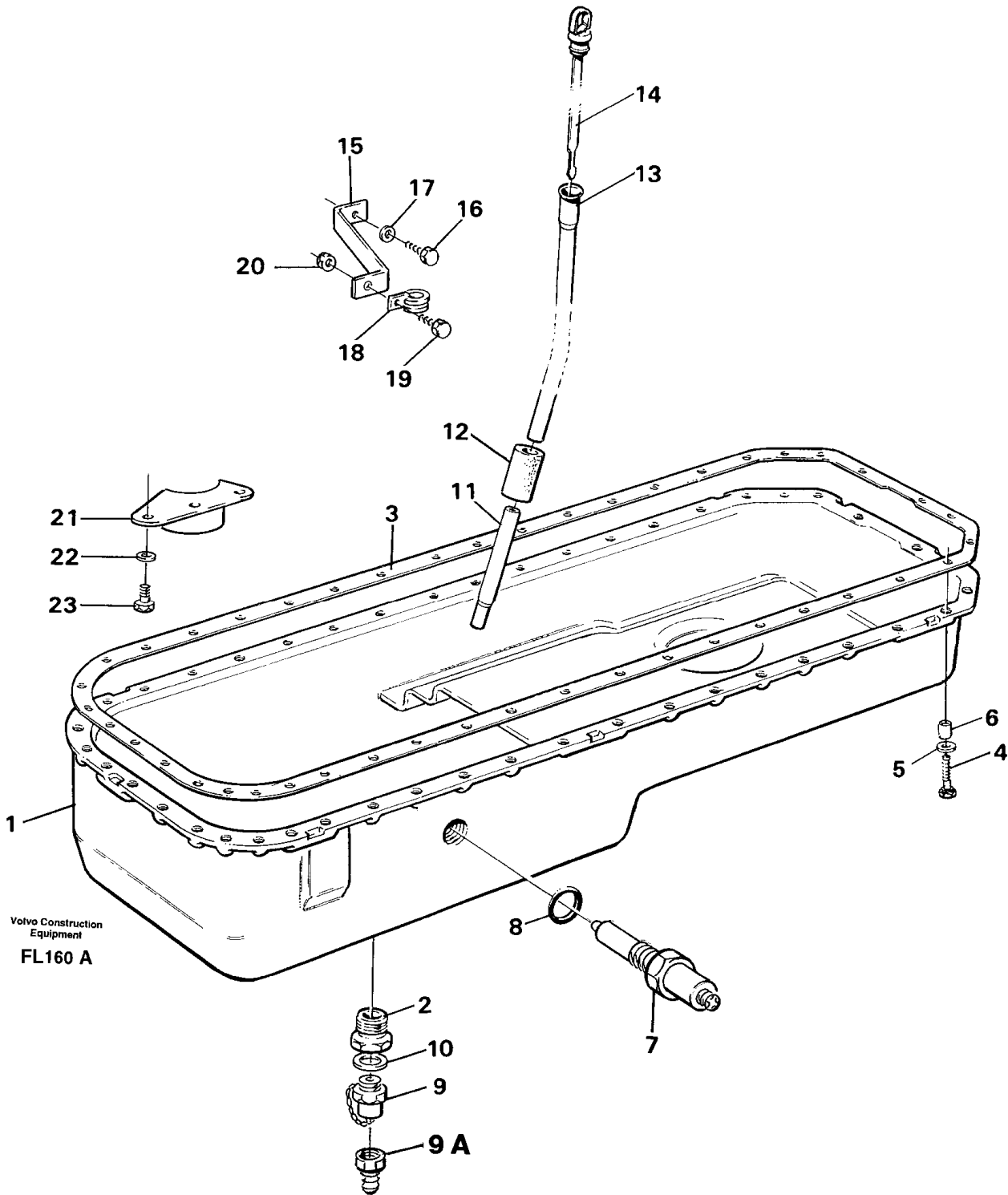


VME Parts AB
FL 108
PRINTED IN SWEDEN

Pos	Part	Q1	Q2	Q3	Q4	Q5	PS	Kit	Description	Option(s)	Remark
1		6							Piston		
2	VOE470424	6							Connecting rod		
3	VOE470434	6							•Bushing		
4	VOE1545479	12							•Screw		
5	VOE270130	6							Big End Brg Kit		STD
5	VOE270131	6							Big End Brg Kit		0,25 MM U SZ
5	VOE270132	6							Big End Brg Kit		0,50 MM U SZ
5	VOE270133	6							Big End Brg Kit		0,75 MM U SZ
5	VOE270134	6							Big End Brg Kit		1,00 MM U SZ
5	VOE270135	6							Big End Brg Kit		1.25 MM U SZ
6	VOE8125583	1							Crankshaft		(VOE478676)
7	VOE422253	1							•Key		
8	VOE270449	7							Main bearing kit		STD
8	VOE270450	7							Main bearing kit		0,25 MM U SZ

8	VOE270451	7						Main bearing kit		0,50 MM U SZ
8	VOE270452	7						Main bearing kit		0,76 MM U SZ
8	VOE270453	7						Main bearing kit		1,01 MM U SZ
8	VOE270454	7						Main bearing kit		1,27 MM U SZ
9	VOE3093651	1						Thrust washer kit		(VOE276791)STD
9	VOE3093652	1						Thrust washer kit		(VOE276792)0.1 MM O SZ
9	VOE3093653	1						Thrust washer kit		(VOE276793)0.2 MM O SZ
10		7					NS	Cap		
11	VOE423080	1						Gear		
12	VOE478506	1					SS	Hub		
13	VOE941494	1						Screw		
14	VOE422124	1						Washer		
15	VOE422924	1						Vibration damper		
16	VOE467834	1						Sign		
17	VOE470281	1						Pulley		
18	VOE955553	6						Hexagon screw		
19	VOE13941909	6						Washer		
20	VOE864997	1					OP	Flywheel		
21	VOE420794	1						•Gear ring		
22	VOE941570	14						Screw		
23	VOE467773	14						Washer		
24	VOE1161277	REQ						Sealant		20 G

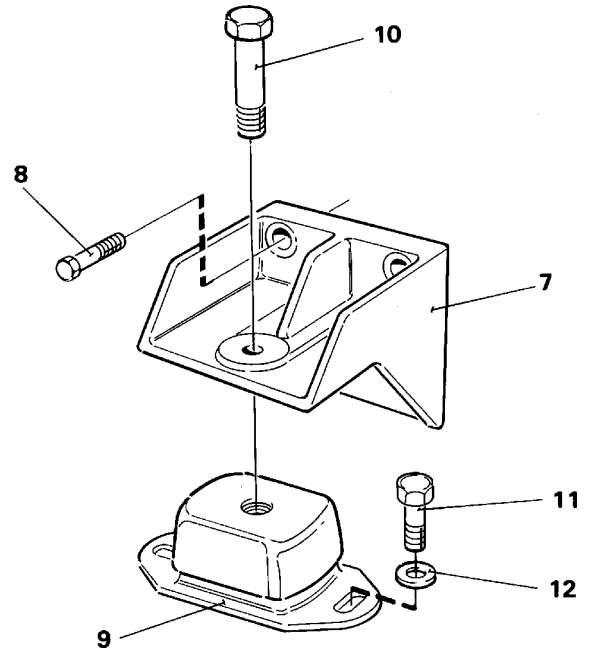
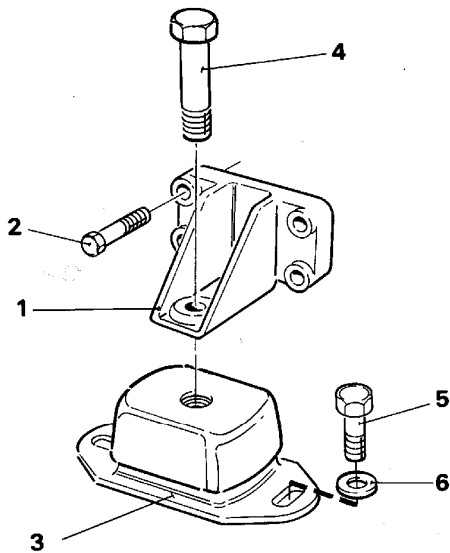
Date: 2014/1/18	Image id: FL160A	Catalogue: 99514	Model: EC450
Brand: Åkerman	Serial: 1601-1781	Group/Section: 217/100	Title: Oil sump



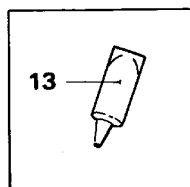
Pos	Part	Q1	Q2	Q3	Q4	Q5	PS	Kit	Description	Option(s)	Remark
1	VOE11031870	1							Oil pan		

2	VOE4771546	1							•Nipple		
3	VOE11031523	1							Gasket		
4	VOE13955527	27							Screw		
5	VOE13941907	27							Washer		
6	VOE930434	27							Spacer ring		
7	VOE14263367	1							Level guard		
8	VOE957180	1							Gasket		
9	VOE11054692	1							Valve		
9A	VOE11054659	1							Connector		
10	VOE949329	1							Gasket		
11	VOE1675989	1							Tube		
12	VOE8149606	1							Rubber hose		(VOE8149244)
13	VOE11031919	1							Tube		
14	VOE11032092	1							Oil dipstick		
15	VOE11031925	1							Bracket		
16	VOE940100	1							Hexagon screw		
17	VOE13941906	1							Washer		
18	VOE13949747	1							Clamp		
19	VOE946440	1							Flange screw		
20	VOE13945408	1							Nut		
21	VOE479796	1							Bracket		
22	VOE940161	3							Hexagon screw		
23	VOE13941907	3							Washer		

Date: 2014/1/18	Image id: FL171	Catalogue: 99514	Model: EC450
Brand: Åkerman	Serial: 1601-1781	Group/Section: 218/100	Title: Engine mounting SER NO -1769

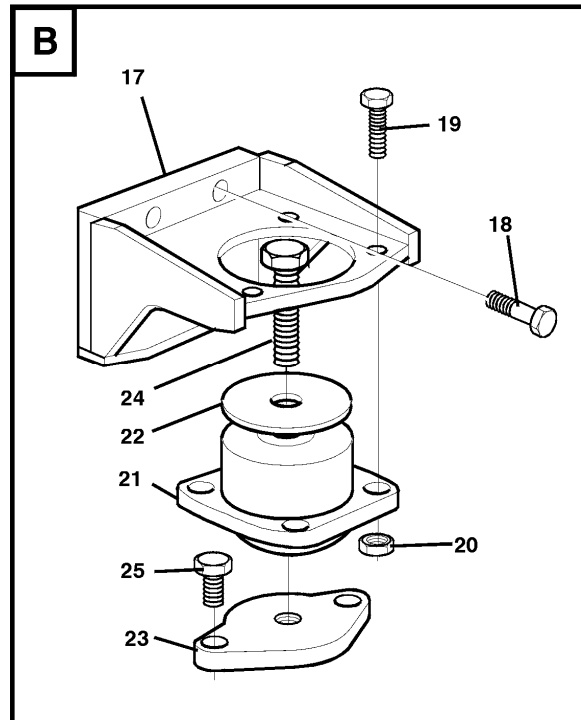
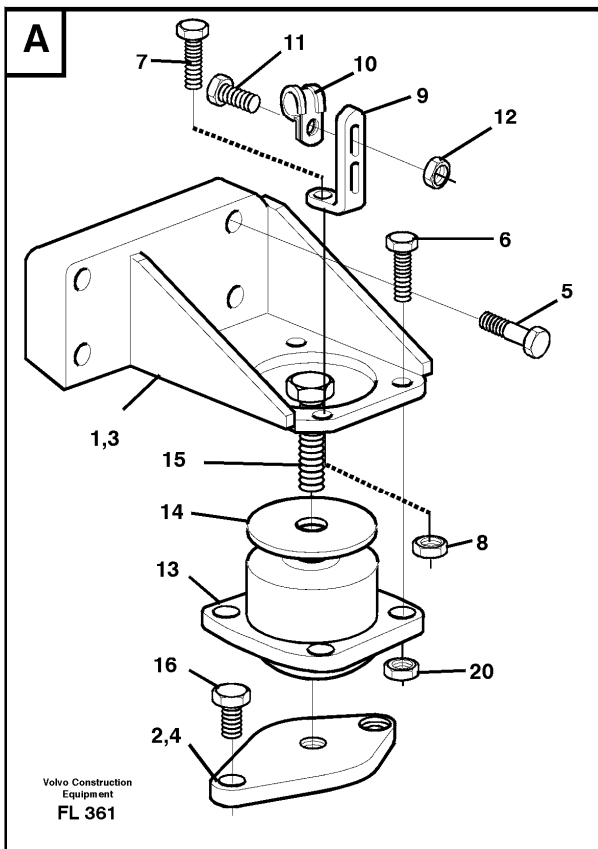
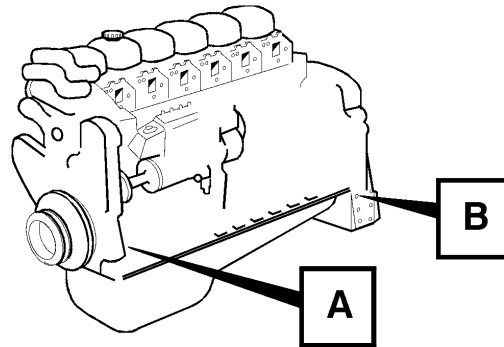


VME Parts AB
FL 171
PRINTED IN SWEDEN



Pos	Part	Q1	Q2	Q3	Q4	Q5	PS	Kit	Description	Option(s)	Remark
1	VOE14054866	2					OP		Engine anchorage		LH
2	VOE955581	8							Hexagon screw		
3	VOE14216299	2							Rubber damper		
4	VOE955388	2							Hexagon screw		
5	VOE955363	4							Hexagon screw		
6	VOE14266321	4							Washer		
7	VOE14262706	2							Engine anchorage		RH
8	VOE13965193	12							Screw		
9	VOE14213835	2							Rubber damper		
10	VOE955388	2							Hexagon screw		
11	VOE955363	4							Hexagon screw		
12	VOE14266321	4							Washer		
13	VOE14024293	REQ					OP		Locking fluid		

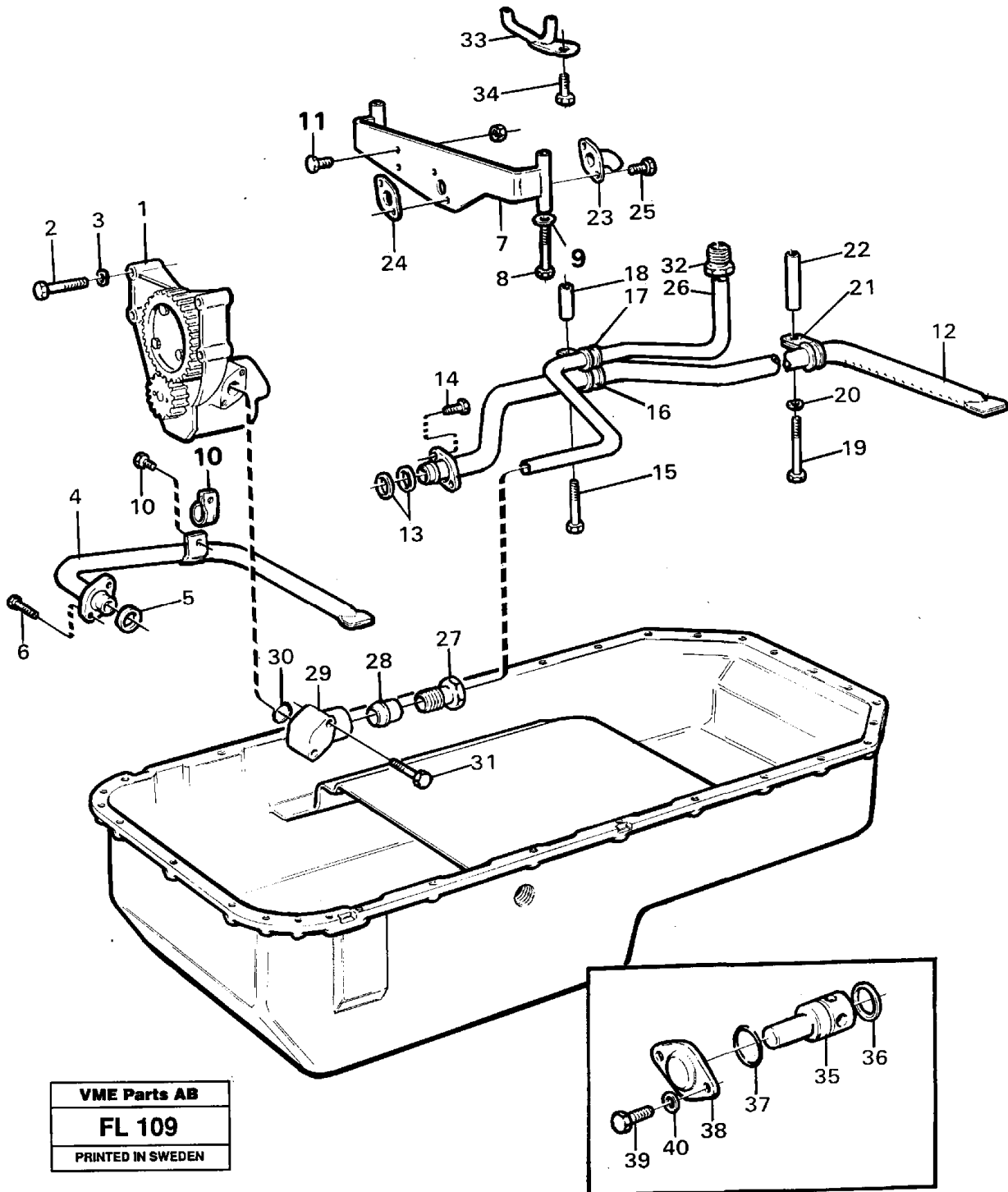
Date: 2014/1/18	Image id: FL361	Catalogue: 99514	Model: EC450
Brand: Åkerman	Serial: 1601-1781	Group/Section: 218/150	Title: Engine mounting SER NO 1770-



Pos	Part	Q1	Q2	Q3	Q4	Q5	PS	Kit	Description	Option(s)	Remark
1	VOE14342181	1					SS		Engine anchorage		FRONT
2	VOE14342202	1							Adapter		FRONT
3	VOE14342203	1					SS		Engine anchorage		FRONT
4	VOE14342183	1							Adapter		FRONT
5	VOE14310035	8							Lock screw		
6	VOE13965185	7							Screw		
7	VOE13965220	1							Screw		
8	VOE13971089	8							Lock nut		
9	VOE13965562	1							Bracket		
10	VOE952641	1							Clamp		

11	VOE13955271	1						Screw		
12	VOE13955781	1						Nut		
13	VOE14343643	2						Rubber cushion		(VOE14341744)
14	VOE14343171	2						Washer		
15	VOE14310031	4					OP	Lock screw		
16	VOE14310034	4						Lock screw		
17	VOE14342182	2					OP	Engine anchorage		REAR
18	VOE14310036	8						Flg Lock Screw		
19	VOE13965185	8						Screw		
20	VOE13971089	8						Lock nut		
21	VOE14343643	2						Rubber cushion		(VOE14341744)
22	VOE14343171	2						Washer		
23	VOE14342184	2					OP	Adapter		REAR
24	VOE14310031	2					OP	Lock screw		
25	VOE14310034	4						Lock screw		

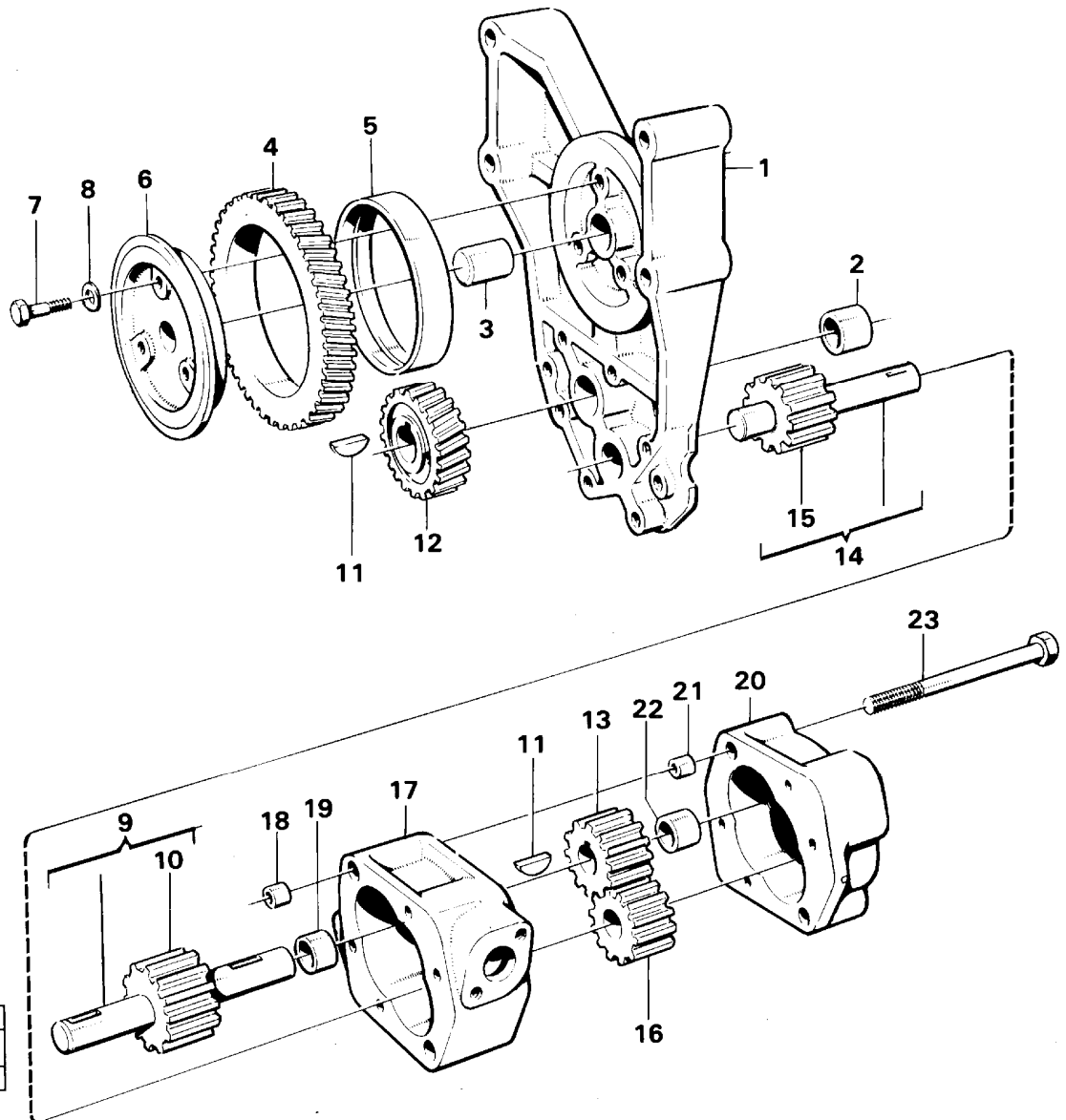
Date: 2014/1/18	Image id: FL109	Catalogue: 99514	Model: EC450
Brand: Åkerman	Serial: 1601-1781	Group/Section: 220/100	Title: Lubricating oil system



Pos	Part	Q1	Q2	Q3	Q4	Q5	PS	Kit	Description	Option(s)	Remark
1		1							Oil pump		See ref 221/100
2	VOE955538	4							Hexagon screw		

3	VOE13942336	4							Spring washer		
4	VOE11031723	1							Suction pipe		
5	VOE470383	2							Sealing ring		
6	VOE955296	2							Hexagon screw		
7	VOE11031828	1							Bracket		
8	VOE955531	2							Hexagon screw		
9	VOE13955894	2							Washer		(VOE955894)
10	VOE968508	1							Clamp		
11	VOE13966378	1							Flange screw		
12	VOE11031725	1							Suction pipe		
13	VOE470383	2							Sealing ring		
14	VOE13941678	2							Hexagon screw		
15	VOE13955527	1							Screw		(VOE955527)
16	VOE968508	1							Clamp		
17	VOE7190159	1							Clamp		
18	VOE807257	1							Spacer sleeve		
19	VOE955531	1							Hexagon screw		
20	VOE13941907	2							Washer		
21	VOE968508	1							Clamp		
22	VOE11031637	1							Spacer sleeve		
23	VOE4778425	1							Pipe		
24	VOE4778427	1							Flange		
25	VOE13941678	2							Hexagon screw		
26	VOE11031618	1							Oil feed pipe		
27	VOE470377	1							Connector		
28	VOE956973	1					SS		Ferrule		
29	VOE4778338	1							Flange		
30	VOE13949657	1							O-ring		
31	VOE13965216	2							Screw		
32	VOE466908	1							Fitting		
33	VOE468539	6							Nozzle		
34	VOE13948587	6							Lock screw		
35	VOE471707	1							Reduction valve		
36	VOE469846	1							Sealing ring		
37	VOE949658	1							O-ring		
38	VOE471752	1							Cover		
39	VOE940100	2							Hexagon screw		
40	VOE13949607	2							Washer		

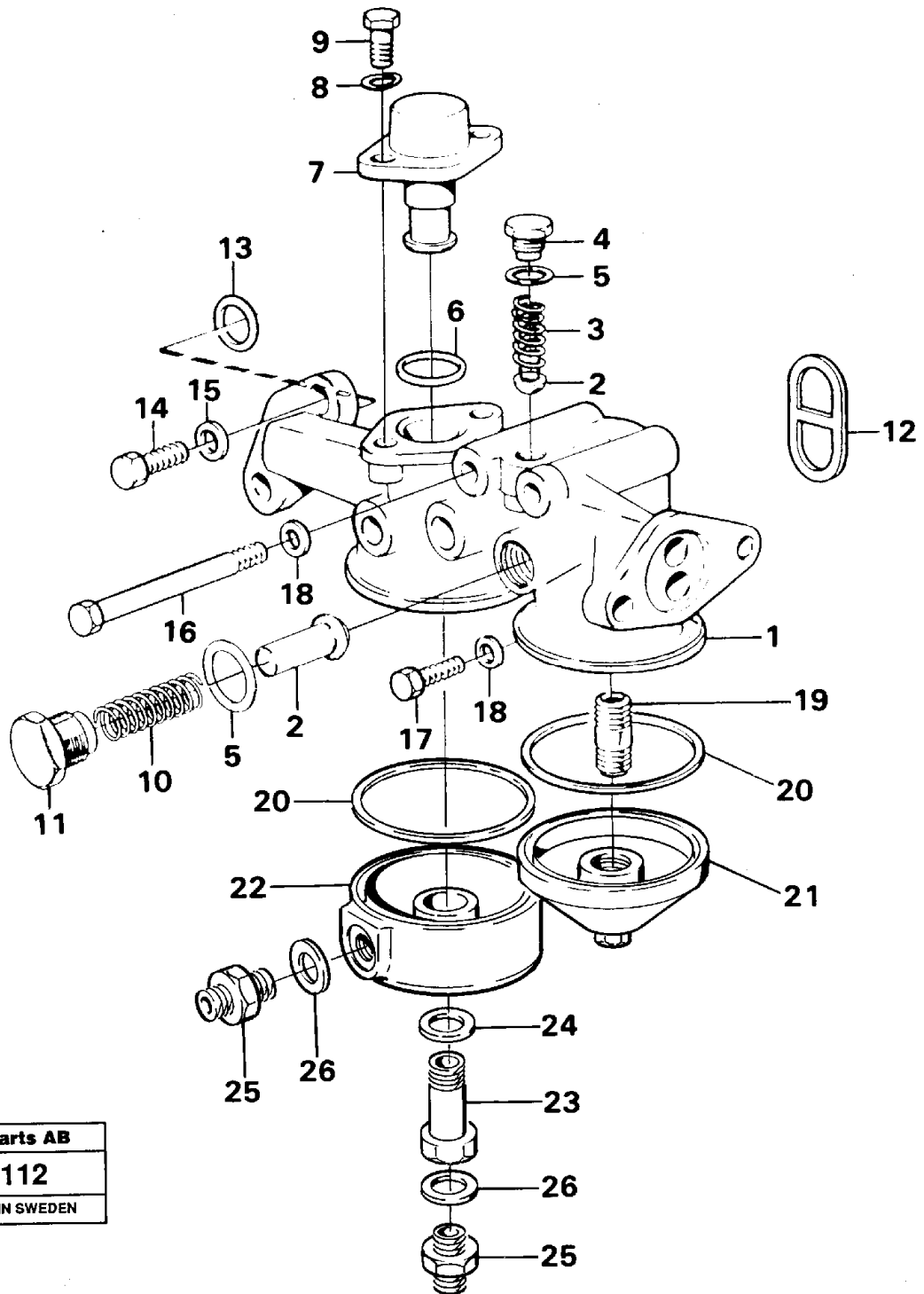
Date: 2014/1/18	Image id: FL110	Catalogue: 99514	Model: EC450
Brand: Åkerman	Serial: 1601-1781	Group/Section: 221/100	Title: Oil pump



Pos	Part	Q1	Q2	Q3	Q4	Q5	PS	Kit	Description	Option(s)	Remark
	VOE11031607	1							Oil pump		
1	VOE470348	1					NS		•Bracket		
2	VOE470347	2							••Bushing		
3	VOE191171	1							••Pin		(VOE7191171)
4	VOE422047	1							•Idler gear		
5	VOE422314	1							••Bushing		
6	VOE422313	1							•Bearing sleeve		
7	VOE940186	3							•Hexagon screw		

8	VOE13941907	3						K	•Washer		(941907)
9	VOE4778319	1						K	•Shaft		
10	VOE470353	1							••Pump rotor		
11	VOE910115	3							•Woodruff key		
12	VOE470356	1							•Drive Gear		
13	VOE4778435	1							•Gear		
14	VOE4778325	1						K	•Shaft		
15	VOE470353	1							••Pump rotor		
16	VOE470353	1							•Pump rotor		
17	VOE11031606	1						NS	•Oil pump housing		
18	VOE401146	2							••Guide sleeve		
19	VOE469681	2							••Bearing Bushing		
20	VOE470344	1						NS	•Oil pump housing		
21	VOE401146	2							••Guide sleeve		
22	VOE470347	2							••Bushing		
23	VOE944446	2							•Hexagon screw		
	VOE11700221	1							Overhaul kit		

Date: 2014/1/18	Image id: FL112	Catalogue: 99514	Model: EC450
Brand: Åkerman	Serial: 1601-1781	Group/Section: 222/150	Title: Oil filter housing

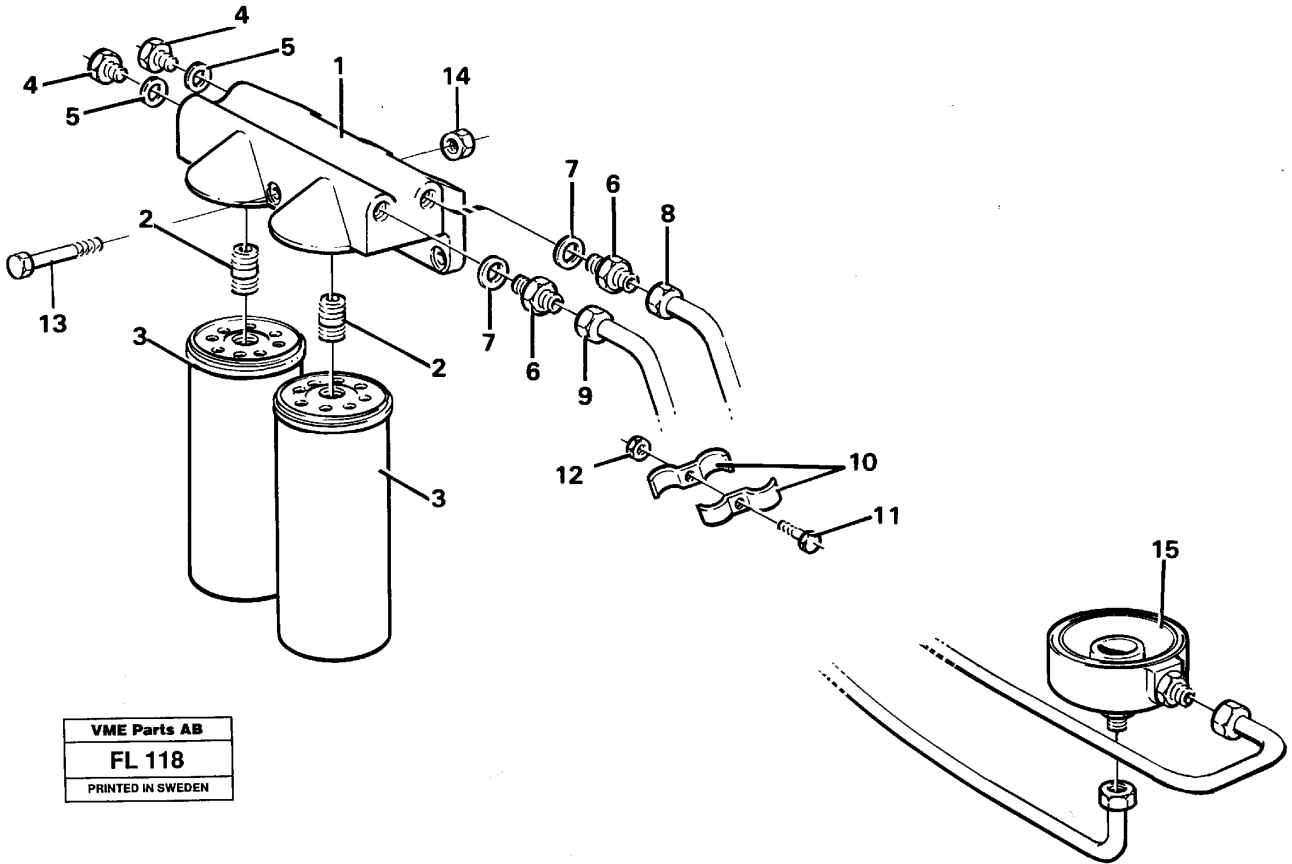


VME Parts AB
FL 112
PRINTED IN SWEDEN

Pos	Part	Q1	Q2	Q3	Q4	Q5	PS	Kit	Description	Option(s)	Remark
	VOE470983	1							Housing		(VOE470979)

1		1					NS		•Housing		
2	VOE471085	2							•Valve cone		
3	VOE466653	1							•Compression spring		
4	VOE466624	1							•Plug		
5	VOE957185	2							•Gasket		
6	VOE949659	1							•O-ring		
7	VOE468838	1							•Valve		
8	VOE13941906	2							•Washer		
9	VOE940094	2							•Hexagon screw		
10	VOE471775	1							•Compression spring		
11	VOE478176	1							•Plug		
12	VOE469486	1							Gasket		
13	VOE949659	1							O-ring		
14	VOE955525	2							Hexagon screw		
15	VOE13941907	2							Washer		
16	VOE942529	2							Hexagon screw		
17	VOE13940115	2							Screw		
18	VOE13942336	4							Spring washer		
19	VOE11030599	2							Nipple		
20	VOE13948981	2							O-ring		
21	VOE3812509	1							Casing		(VOE848431)
22	VOE11031906	1							Cover		
23	VOE11031907	1							Reduction nipple		
24	VOE11032095	1							Gasket		
25	VOE947554	2							Nipple		
26	VOE948885	2							Plane gasket		

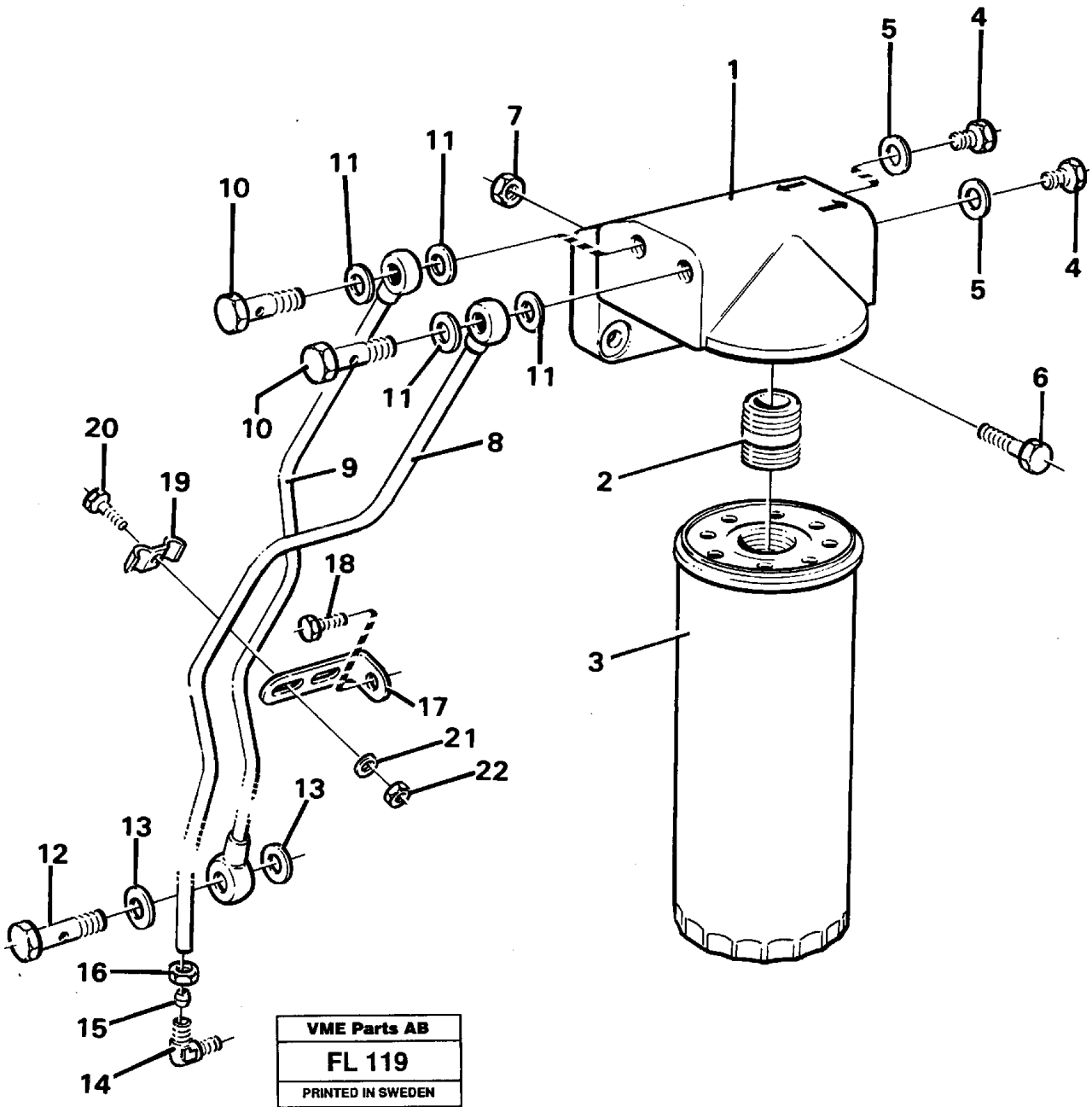
Date: 2014/1/18	Image id: FL118	Catalogue: 99514	Model: EC450
Brand: Åkerman	Serial: 1601-1781	Group/Section: 222/200	Title: Oil filter



VME Parts AB
FL 118
PRINTED IN SWEDEN

Pos	Part	Q1	Q2	Q3	Q4	Q5	PS	Kit	Description	Option(s)	Remark
1	VOE11031901	1							Oil Filter Hsg		
2	VOE466623	2							Nipple		
3	VOE466634	2							Oil Filter		
4	VOE13960634	2							Plug		
5	VOE13947627	2							Plane Gasket		(VOE947627)
6	VOE947554	2							Nipple		
7	VOE948885	2							Plane Gasket		
8	VOE11031914	1							Pipe		
9	VOE11031915	1							Pipe		
10	VOE947219	4							Clamp		(VOE13947219)
11	VOE965212	2							Screw		(VOE13965212)
12	VOE13945407	2							Nut		
13	VOE13965185	3							Flange screw		L = 40mm
	VOE968237	1							Flange screw		L = 120mm
14	VOE13971095	4							Flange nut		
15		1							Cap		See ref 222/150

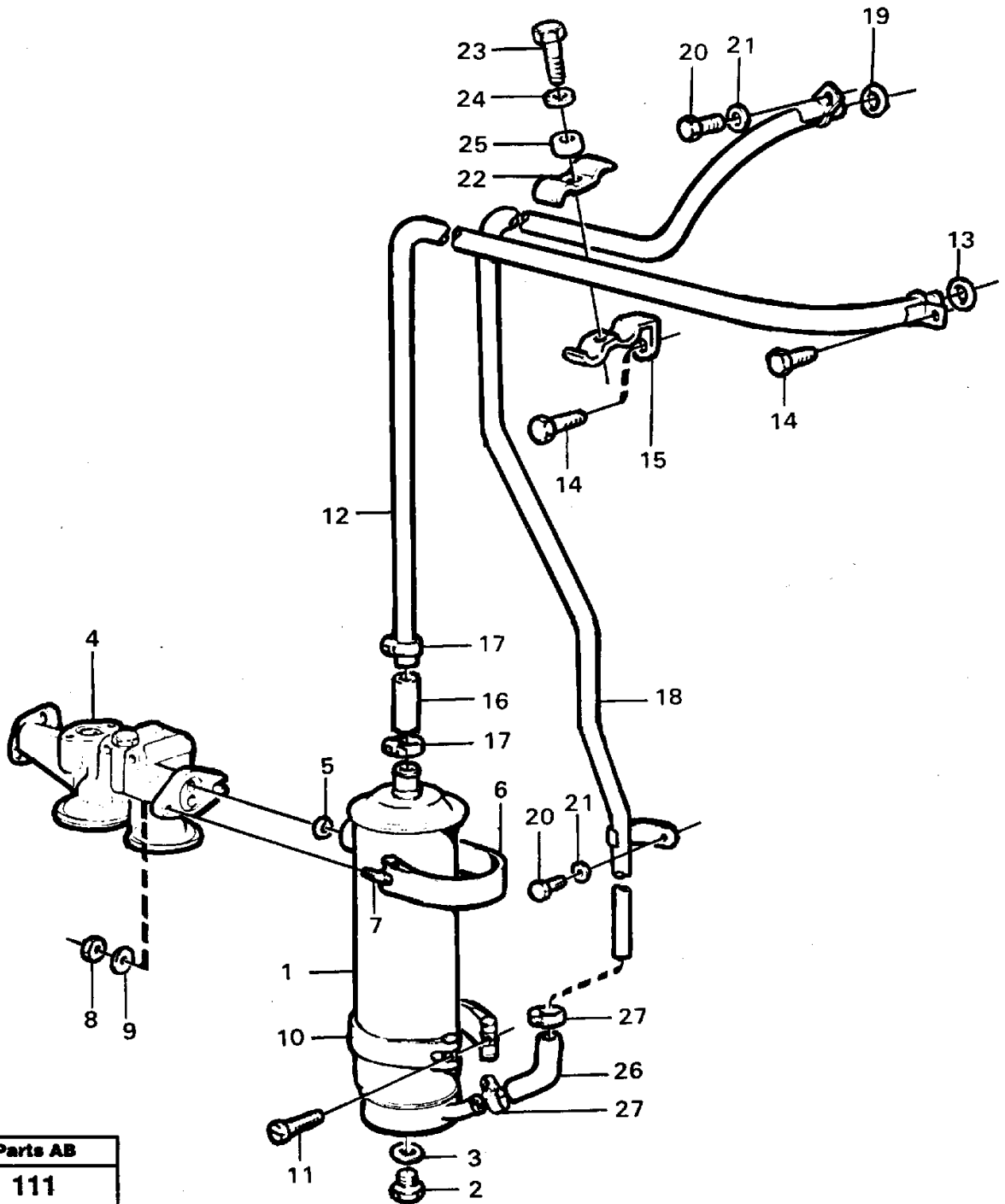
Date: 2014/1/18	Image id: FL119	Catalogue: 99514	Model: EC450
Brand: Åkerman	Serial: 1601-1781	Group/Section: 222/250	Title: Oil filter, by pass



Pos	Part	Q1	Q2	Q3	Q4	Q5	PS	Kit	Description	Option(s)	Remark
1	VOE11127104	1							Oil filter housing		(VOE11031921)
2	VOE469904	1							Nipple		
3	VOE477556	1							Oil Filter		
4	VOE960630	2							Plug		
5	VOE13947621	2							Plane gasket		

6	VOE13965185	3							Screw		
7	VOE13971095	2							Flange nut		
8	VOE11031917	1							Oil return pipe		
9	VOE11031916	1							Oil feed pipe		
10	VOE7025167	2							Hollow screw		
11	VOE13969011	4							Gasket		
12	VOE968178	1							Hollow screw		
13	VOE13947282	2							Gasket		
14	VOE966795	1							Elbow nipple		
15	VOE13946385	1							Ferrule		
16	VOE946384	1							Fitting nut		
17	VOE13965558	1							Bracket		
18	VOE947107	1							Flange screw		
19	VOE404279	1							Clamp		
20	VOE950048	1							Cross recessed screw		
21	VOE955893	1							Washer		
22	VOE955825	1							Hexagon nut		

Date: 2014/1/18	Image id: FL111	Catalogue: 99514	Model: EC450
Brand: Åkerman	Serial: 1601-1781	Group/Section: 223/100	Title: Oil cooler



VME Parts AB
FL 111
PRINTED IN SWEDEN

Pos	Part	Q1	Q2	Q3	Q4	Q5	PS	Kit	Description	Option(s)	Remark
1	VOE468612	1							Oil cooler		
2	VOE180759	1							•Plug		

3	VOE13947281	1							•Gasket		
4		1							Housing		See ref 222/150
5	VOE469483	2							Sealing ring		
6	VOE1545255	1							Tensioning band		
7	VOE924072	2							Stud		
8	VOE955782	2							Hexagon nut		
9	VOE976944	2							Washer		(VOE13960141)
10	VOE1545256	1							Tensioning band		
11	VOE1545257	1							Screw		
12	VOE468774	1							Pipe		
13	VOE470527	1							Sealing ring		
14	VOE13942624	2							Flange screw		(EH942624)
15	VOE468772	1							Bracket		
16	VOE944386	REQ							Hose		L = 80mm
17	VOE943475	2							Hose clamp		
18	VOE470419	1					SS		Tube		
19	VOE470527	1							Sealing ring		
20	VOE13942624	2							Flange screw		
21	VOE13941907	2							Washer		
22	VOE468684	1							Plate		
23	VOE940161	1							Hexagon screw		
24	VOE191172	1							Washer		
25	VOE470721	1							Spacer sleeve		
26	VOE11162272	1							Hose		(VOE468706)
27	VOE943475	2							Hose clamp		



Suggest:

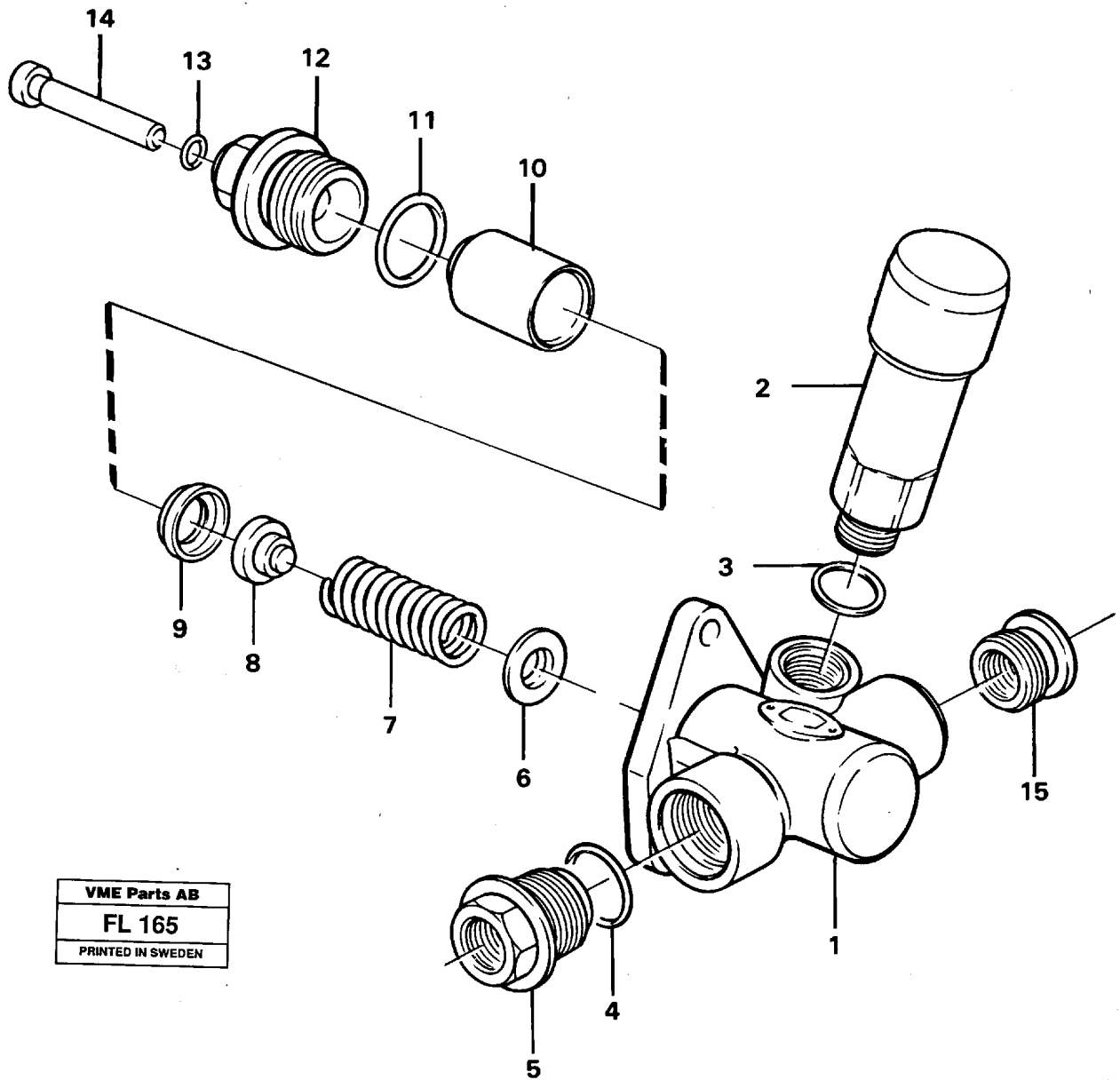
For more complete manuals. Please go to the home page.

<https://www.ebooklibonline.com>

If the above button click is invalid. Please download this document first, and then click the above link to download the complete manual.

Thank you so much for reading

Date: 2014/1/18	Image id: FL165	Catalogue: 99514	Model: EC450
Brand: Åkerman	Serial: 1601-1781	Group/Section: 233/150	Title: Feed pump



Pos	Part	Q1	Q2	Q3	Q4	Q5	PS	Kit	Description	Option(s)	Remark
	VOE863474	1							Feed pump		
1		1					NS		•Housing		
2	VOE3094547	1							•Hand pump		(VOE11991822)
3	VOE240572	1							•Gasket		
4	VOE3094341	1							•O-ring		
5	VOE3094340	1							•Nipple		
6	VOE244833	2							•Spring disc		

7	VOE862462	1							•Compression spring		
8	VOE244834	1							•Valve		
9	VOE11706665	1							•Spacer ring		(VOE244835)
10	VOE244831	1							•Piston		
11	VOE15031180	1							•O-ring		(VOE244828)
12	VOE244827	1							•Nipple		
13	VOE11716292	1							•O-ring		(VOE244829)
14	VOE862461	1							•Push rod		
15	VOE244836	1							•Bushing		

<https://www.ebooklibonline.com>

Hello dear friend!

Thank you very much for reading.

Enter the link into your browser.

The full manual is available for immediate download.

<https://www.ebooklibonline.com>