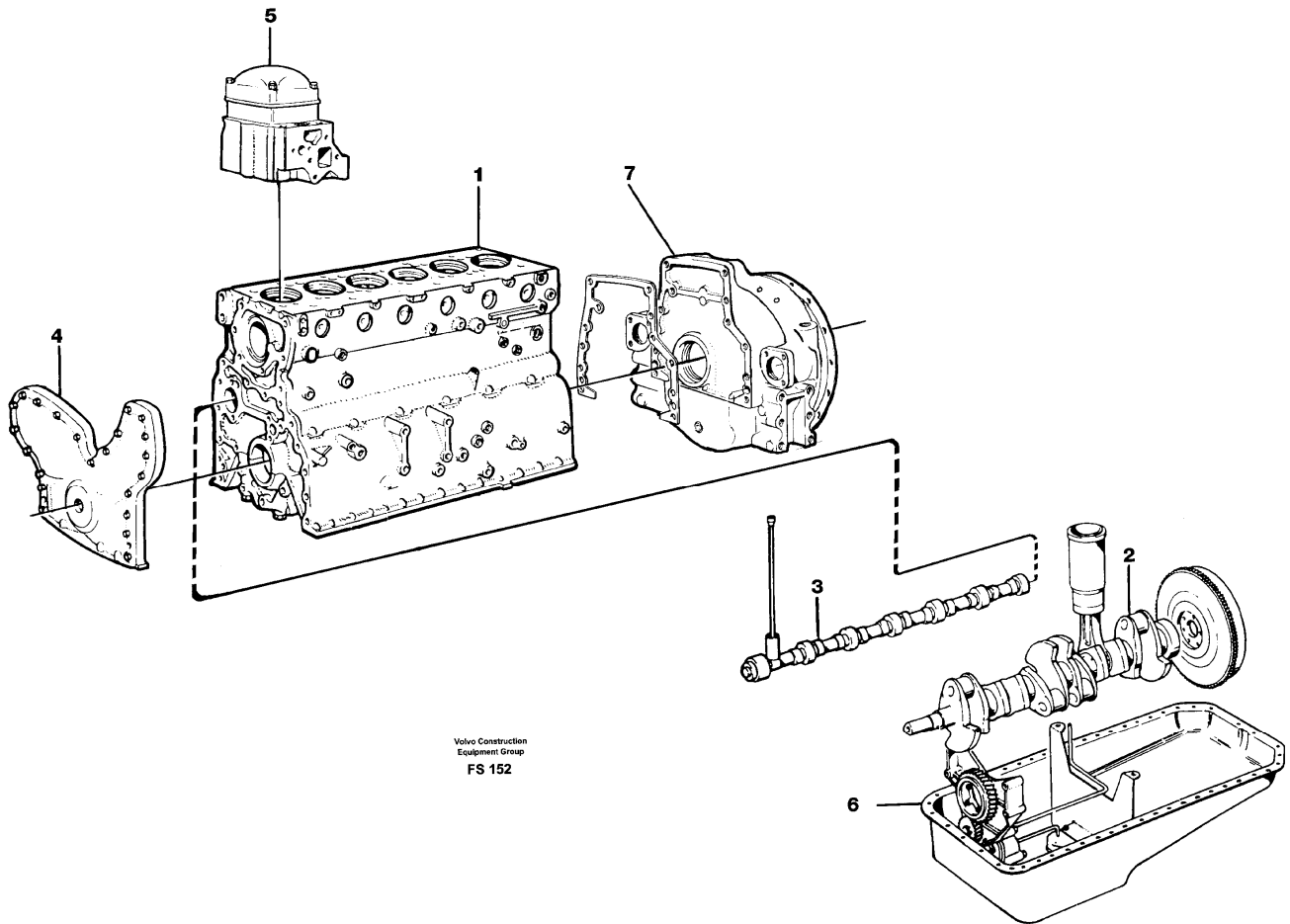
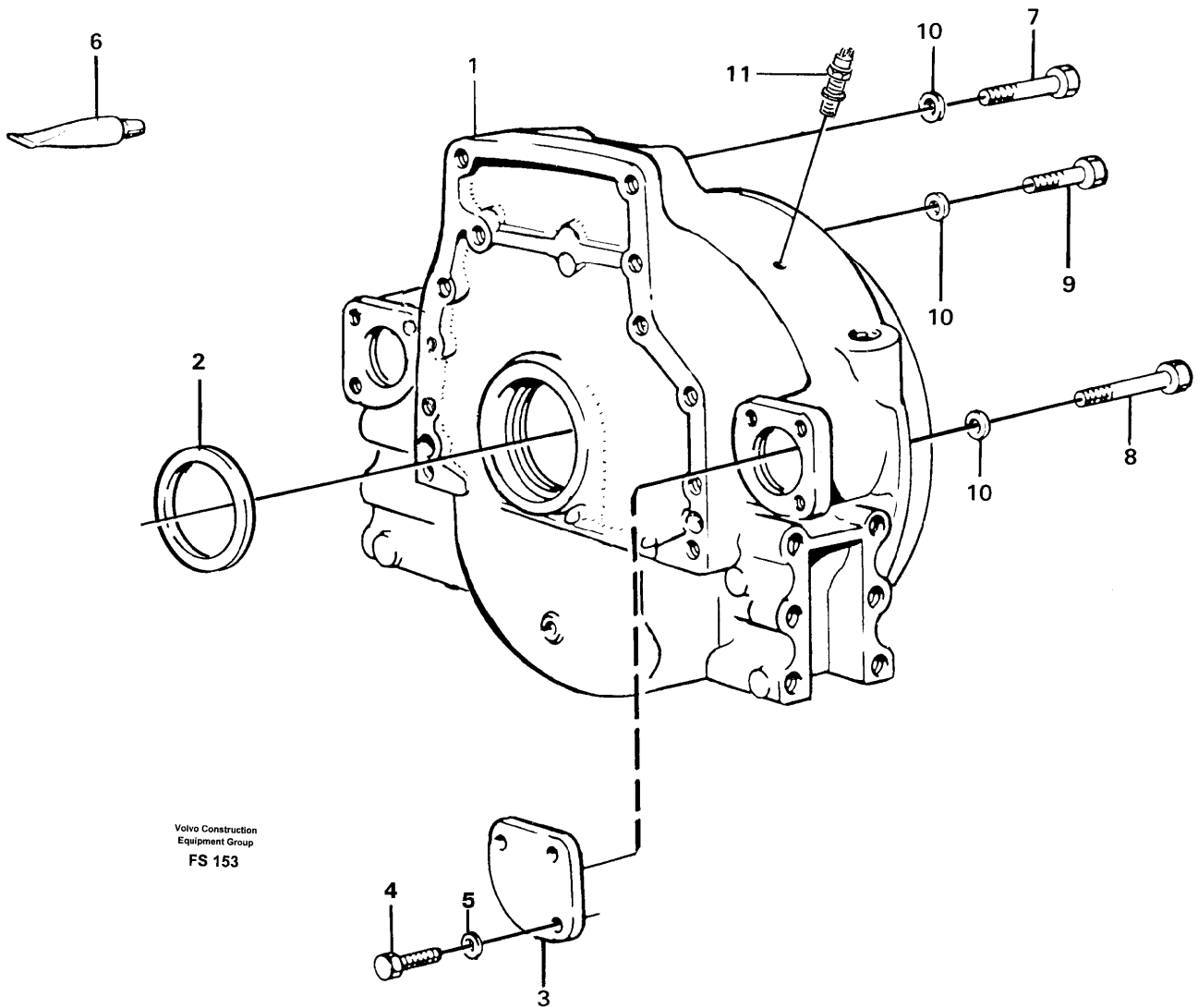


Date: 2014/1/18	Image id: FS152	Catalogue: 99507	Model: EC420
Brand: Åkerman	Serial: 1357-1550	Group/Section: 3/4000	Title: Engine Td101ge



Pos	Part	Q1	Q2	Q3	Q4	Q5	PS	Kit	Description	Option(s)	Remark
	VOE497772	1					OP		Engine		
1									•Cylinder block		See ref 3/4050 See ref 3/4100
2									•Crankshaft		See ref 3/4300
3									•Camshaft		See ref 3/4200
4									•Tmg gear cover		See ref 3/4250
5									•Cylinder head		See ref 3/4150
6									•Oil sump		See ref 3/4500
7									•Flywheel housing		See ref 3/4025

Date: 2014/1/18	Image id: FS153	Catalogue: 99507	Model: EC420
Brand: Åkerman	Serial: 1357-1550	Group/Section: 3/4025	Title: Flywheel housing



Pos	Part	Q1	Q2	Q3	Q4	Q5	PS	Kit	Description	Option(s)	Remark
1	VOE848961	1					OP		Flywheel housing		
2	VOE3825164	1					SS		•Sealing ring		
3	VOE423081	1							•Seal flange		
4	VOE13940114	3							•Screw		
5	VOE13942336	3							•Spring washer		
6	VOE11713514	REQ							Sealant		(VOE1161231)
	VOE1161277	REQ							Sealant		20G
7	VOE955582	2							Hexagon screw		
8	VOE955587	2							Hexagon screw		

9	VOE955580	8							Hexagon screw		
10	VOE941911	12							Spring washer		
11	VOE11039533	1							Induction sensor		

<https://www.ebooklibonline.com>

Hello dear friend!

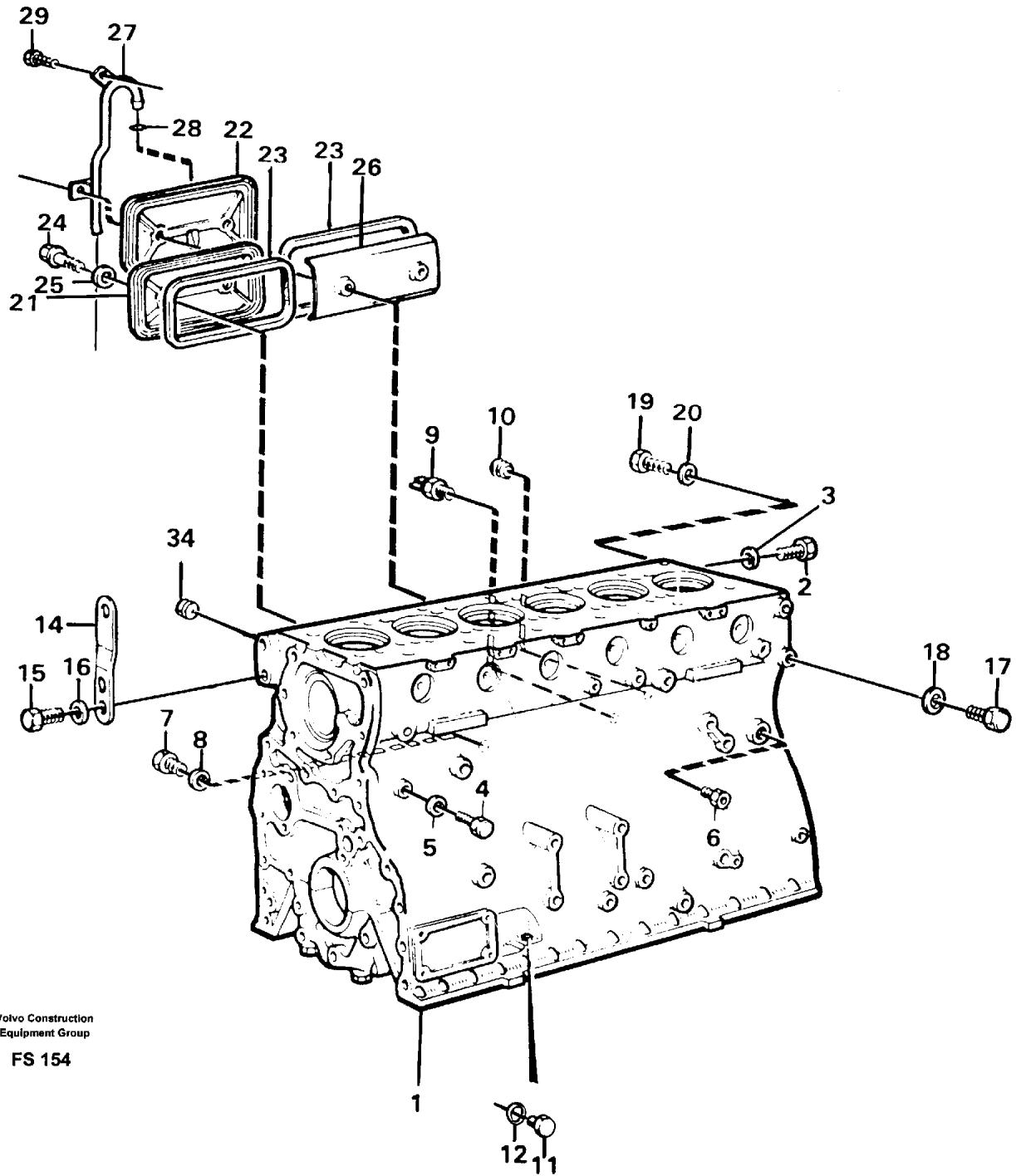
Thank you very much for reading.

Enter the link into your browser.

The full manual is available for immediate download.

<https://www.ebooklibonline.com>

Date: 2014/1/18	Image id: FS154	Catalogue: 99507	Model: EC420
Brand: Åkerman	Serial: 1357-1550	Group/Section: 3/4050	Title: Cylinder block

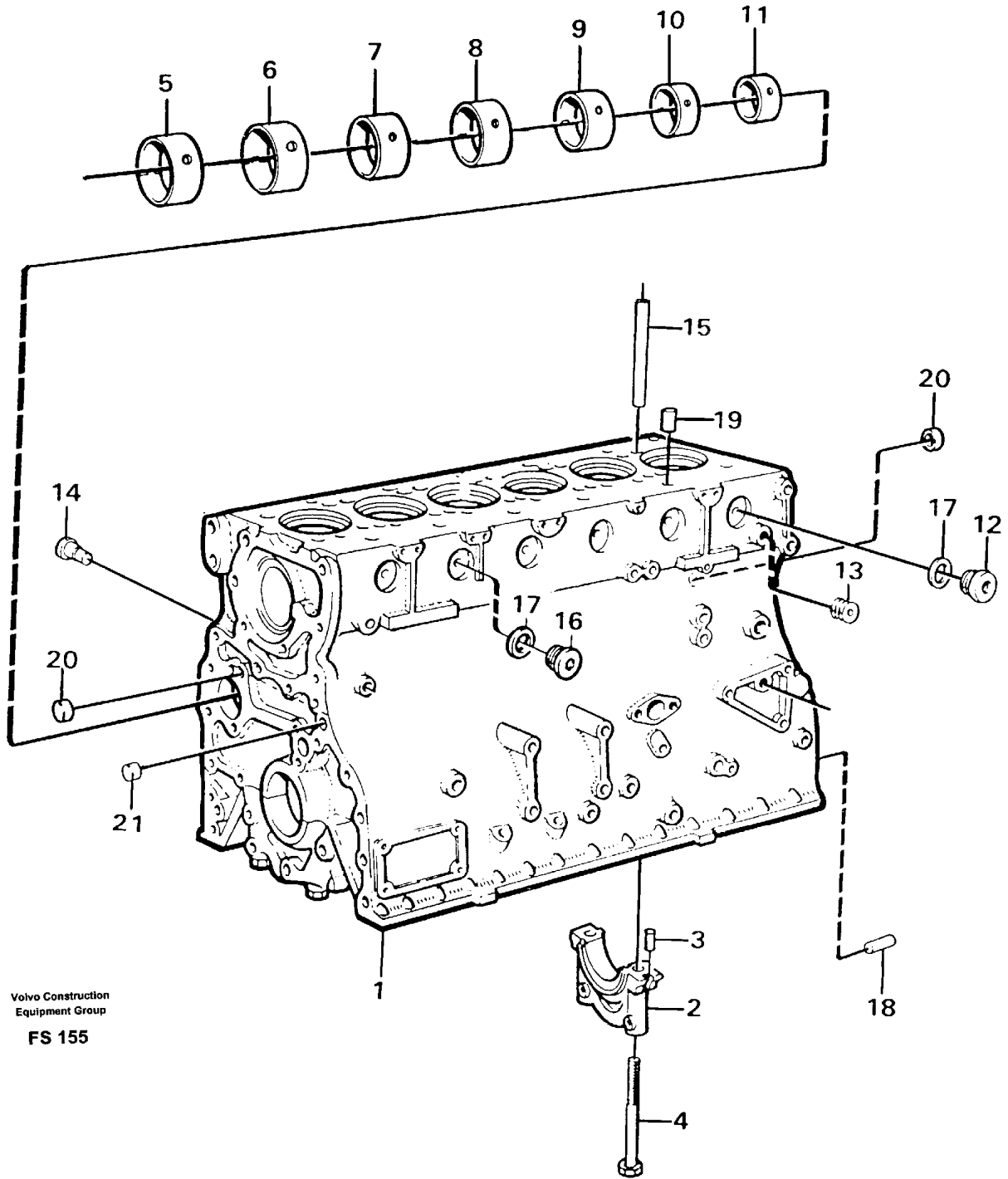


Volvo Construction
Equipment Group
FS 154

Pos	Part	Q1	Q2	Q3	Q4	Q5	PS	Kit	Description	Option(s)	Remark
1		1							Cylinder block		See ref 3/4100

	VOE11031286	1							•Oil feed pipe		
2	VOE422550	1							Fitting		
3	VOE468463	1							Gasket		
4	VOE180761	1							Plug		
5	VOE7011996	1							Gasket		
6	VOE479954	1							Nipple		
7	VOE7016318	2							Plug		
8	VOE13947281	2							Gasket		
9		1							Oil press snsr		See ref 3/3900
10	VOE13947814	1							Plug		
11	VOE13948187	2							Plug		
12	VOE13947625	2							Plane gasket		
14	VOE1545720	1							Lifting eye		
15	VOE955561	2							Hexagon screw		
16	VOE940280	2							Spring washer		
17	VOE955561	2							Hexagon screw		
18	VOE940280	2							Spring washer		
19	VOE955561	2							Hexagon screw		
20	VOE940280	2							Spring washer		
21	VOE423120	2							Hatch		
22	VOE423121	1							Hatch		
23	VOE469823	3							Gasket		
24	VOE422541	6							Screw		
25	VOE471856	6							Sealing ring		
26	VOE422542	1							Splash plate		
27	VOE467090	1							Breather pipe		
28	VOE421158	1							Sealing ring		
29	VOE942402	2							Flange screw		
34	VOE422369	7							Plug		

Date: 2014/1/18	Image id: FS155	Catalogue: 99507	Model: EC420
Brand: Åkerman	Serial: 1357-1550	Group/Section: 3/4100	Title: Cylinder block

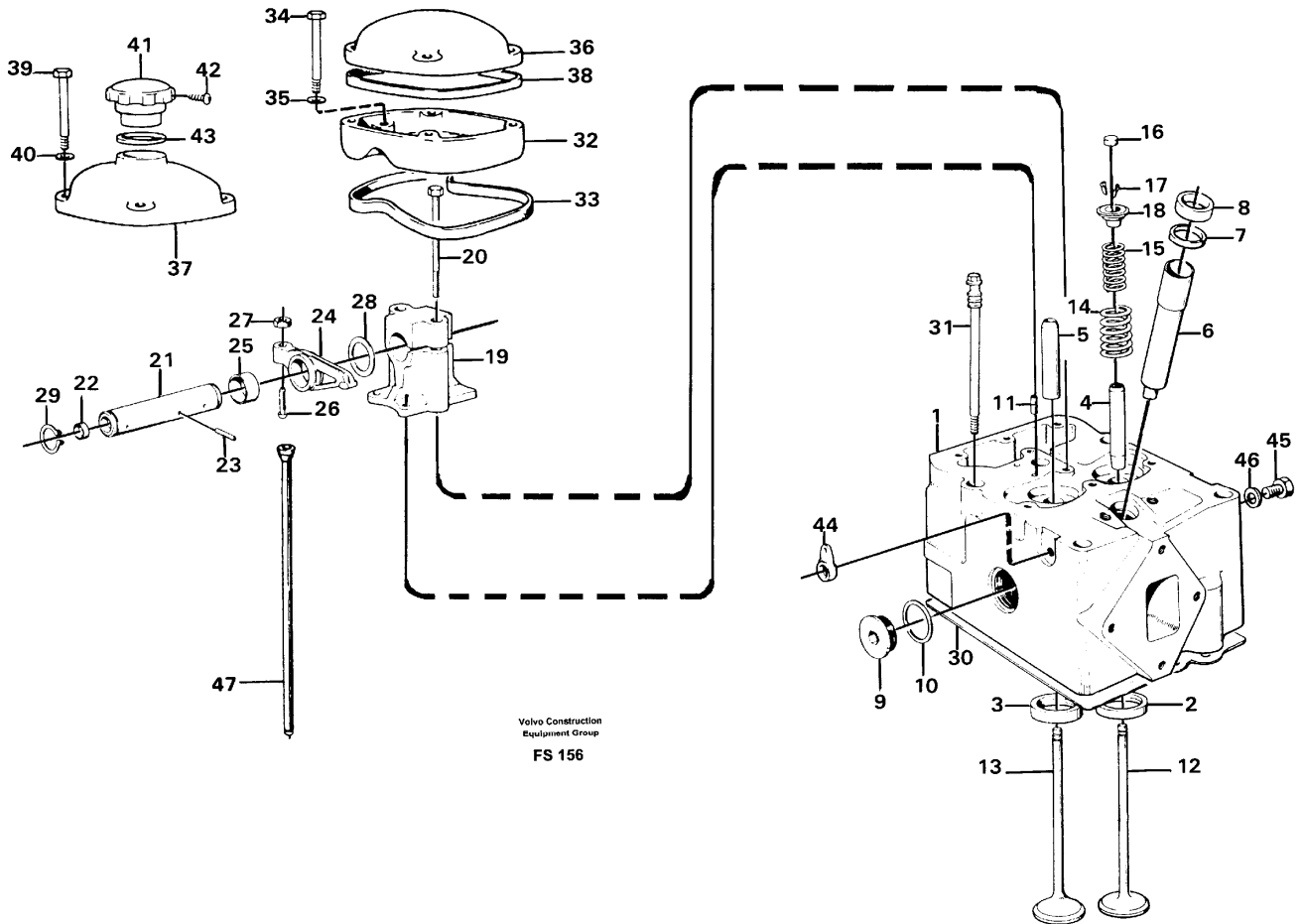


Volvo Construction
Equipment Group
FS 155

Pos	Part	Q1	Q2	Q3	Q4	Q5	PS	Kit	Description	Option(s)	Remark
1	VOE479650	1					SS		Cylinder block		

	VOE11031286	1							•Oil feed pipe		
2	VOE467630	7							Cap		
3	VOE422426	1							Pin		
4	VOE7422067	14							Screw		
5	VOE422076	1							Bushing		(VOE479680)
6	VOE422077	1							Bushing		(VOE479681)
7	VOE422078	1							Bushing		(VOE479682)
8	VOE11000014	1							Bushing		(VOE479683)
9	VOE422080	1							Bushing		(VOE479684)
10	VOE422081	1							Bushing		(VOE479685)
11	VOE422082	1							Bushing		(VOE479686)
12	VOE821335	1							Plug		
13	VOE952075	1							Plug		
14	VOE422369	7							Plug		
15		REQ					NS		Pipe		
16	VOE467367	5							Plug		
17	VOE1556907	6							Gasket		(VOE469328)
18	VOE191171	2							Pin		(VOE7191171)
19	VOE14025455	12							Cylinder Pin		(VOE950543)
20	VOE13955083	2							Cap plug		(VOE955083)
21	VOE955082	1							Cap plug		

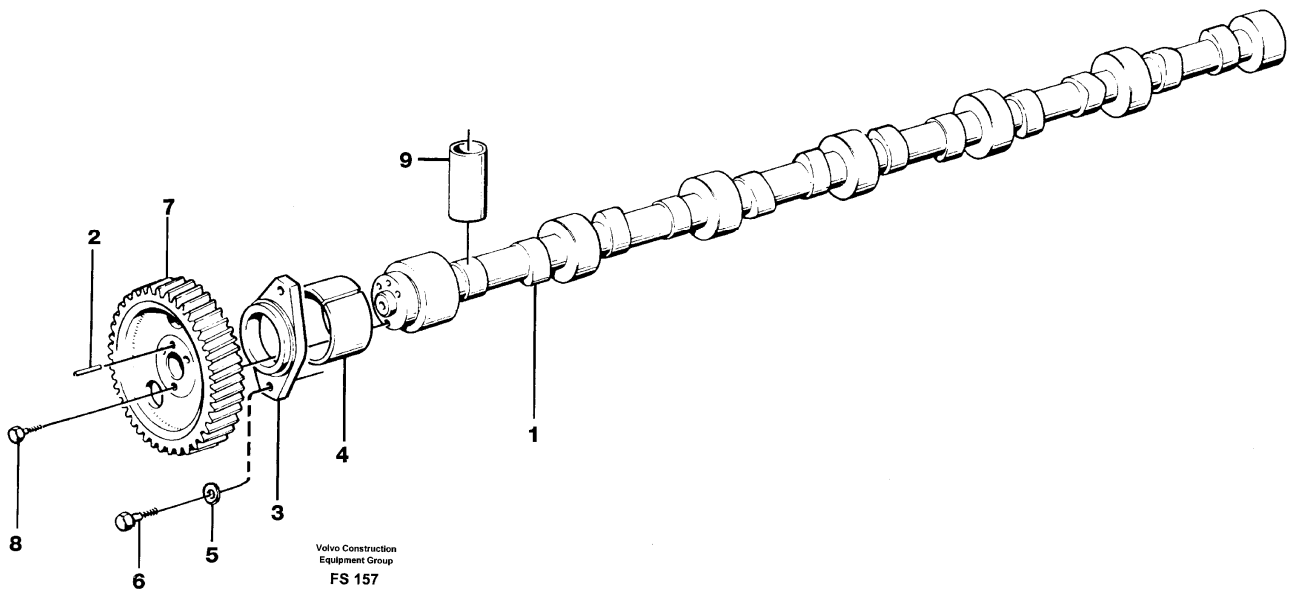
Date: 2014/1/18	Image id: FS156	Catalogue: 99507	Model: EC420
Brand: Åkerman	Serial: 1357-1550	Group/Section: 3/4150	Title: Cylinder head



Pos	Part	Q1	Q2	Q3	Q4	Q5	PS	Kit	Description	Option(s)	Remark
1	VOE8194450	6							Cylinder head		
2	VOE467474	6							•Valve seat		STD D
	VOE467590	6							•Valve seat		0.20 mm ÖD
3	VOE1545886	6							•Valve seat		
	VOE1545885	6							•Valve seat		(VOE11987040)
4	VOE422320	6							•Valve guide		
5	VOE1545135	6							•Guide		
6	VOE479163	6							•Sleeve		
7	VOE466405	6							•Sealing ring		
8	VOE466420	6							•Ring		
9	VOE467365	12							•Plug		
10	VOE469327	12							•Gasket		(VOE468461)
11	VOE14025455	12							•Cylinder Pin		(VOE950543)

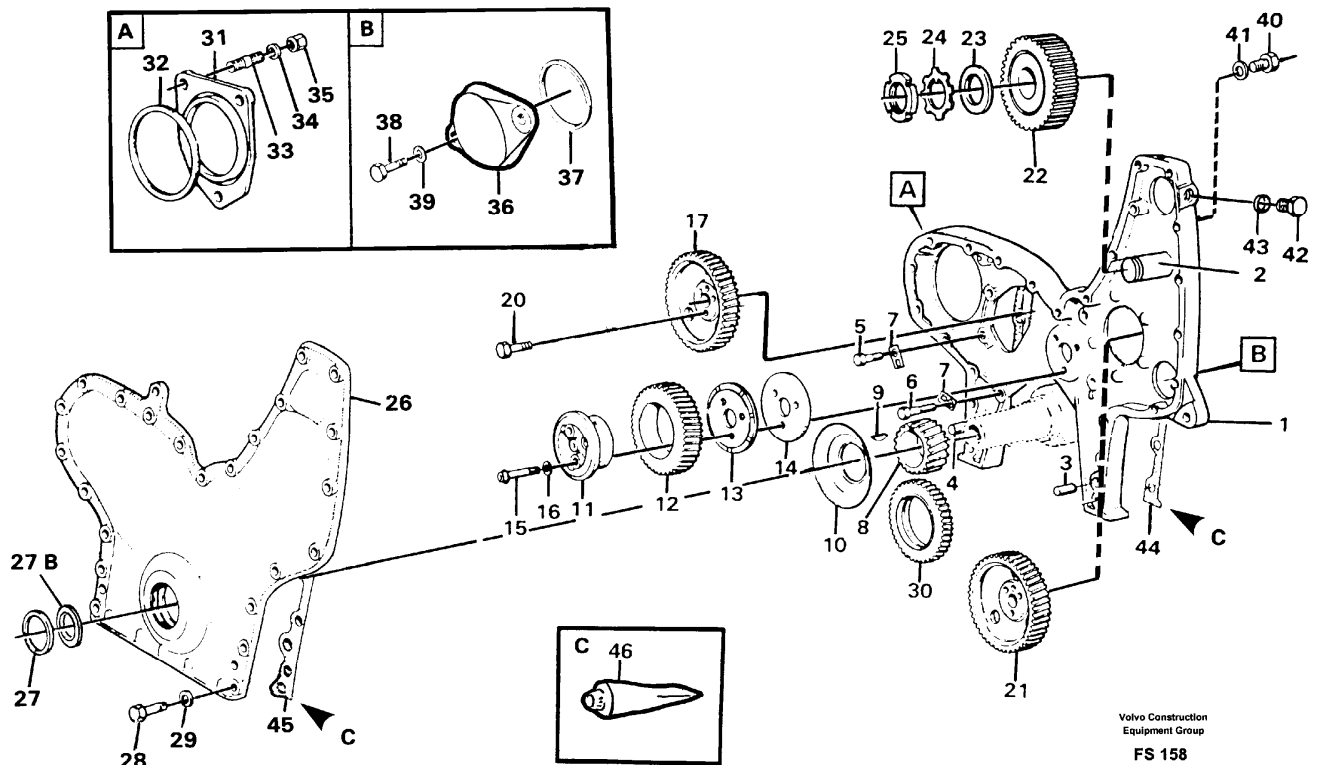
12	VOE479204	6							•Inlet valve		
13	VOE467855	6							•Exhaust valve		
14	VOE467334	12							•Valve spring		
15	VOE467335	12							•Valve spring		
16	VOE478074	12							•Valve cap		
17	VOE468305	24							•Valve Collet		
18	VOE467506	12							•Washer		
19	VOE422018	6							Bearing Bracket		
20	VOE422428	12							Screw		
21	VOE422019	6							Rocker arm shaft		
22	VOE946778	12							•Cap plug		
23	VOE950499	6							•Pin		
24	VOE422063	12							Rocker arm		
25	VOE422066	12							•Bushing		
26	VOE422993	12							•Bolt		
27	VOE940175	12							•Nut		
28	VOE941488	12							Washer		
29	VOE914459	12							Retaining ring		
30	VOE270789	6							Gasket kit		
		6							•Gasket		
	VOE422415	12							•Sealing ring		D=18mm
	VOE422414	12							•Sealing ring		D=32mm
	VOE422413	6							•Sealing ring		D=11mm
31	VOE422086	24							Screw		
32	VOE469431	6							Cover		
33	VOE424693	6							Gasket		
34	VOE13940159	12							Screw		
35	VOE13955894	12							Washer		(VOE955894)
36	VOE469432	5							Cover		
37	VOE469457	1							Cover		
38	VOE424694	6							Gasket		
39	VOE955530	24							Hexagon screw		
40	VOE13941907	24							Washer		
41	VOE421753	1							Filler cap		
42	VOE955126	3							•Cross recessed screw		
43	VOE1275379	1							Gasket		(VOE940096)
44	VOE479260	6							Gasket		
45	VOE941876	1							Plug		
46	VOE7018666	1							Gasket		
47	VOE467820	12							Push rod		(VOE467820)

Date: 2014/1/18	Image id: FS157	Catalogue: 99507	Model: EC420
Brand: Åkerman	Serial: 1357-1550	Group/Section: 3/4200	Title: Camshaft



Pos	Part	Q1	Q2	Q3	Q4	Q5	PS	Kit	Description	Option(s)	Remark
1	VOE479450	1					SS		Camshaft		
2	VOE950588	1							•Pin		
3	VOE465789	1							Flange		(VOE469324)
4		7							Bearing bushing		See ref 3/4100
5	VOE13942336	2							Spring washer		
6	VOE13940115	2							Screw		
7		1							Gear		See ref 3/4250
8	VOE471558	3							Screw		L=50
9	VOE479863	12							Tappet		

Date: 2014/1/18	Image id: FS158	Catalogue: 99507	Model: EC420
Brand: Åkerman	Serial: 1357-1550	Group/Section: 3/4250	Title: Timing gear casing

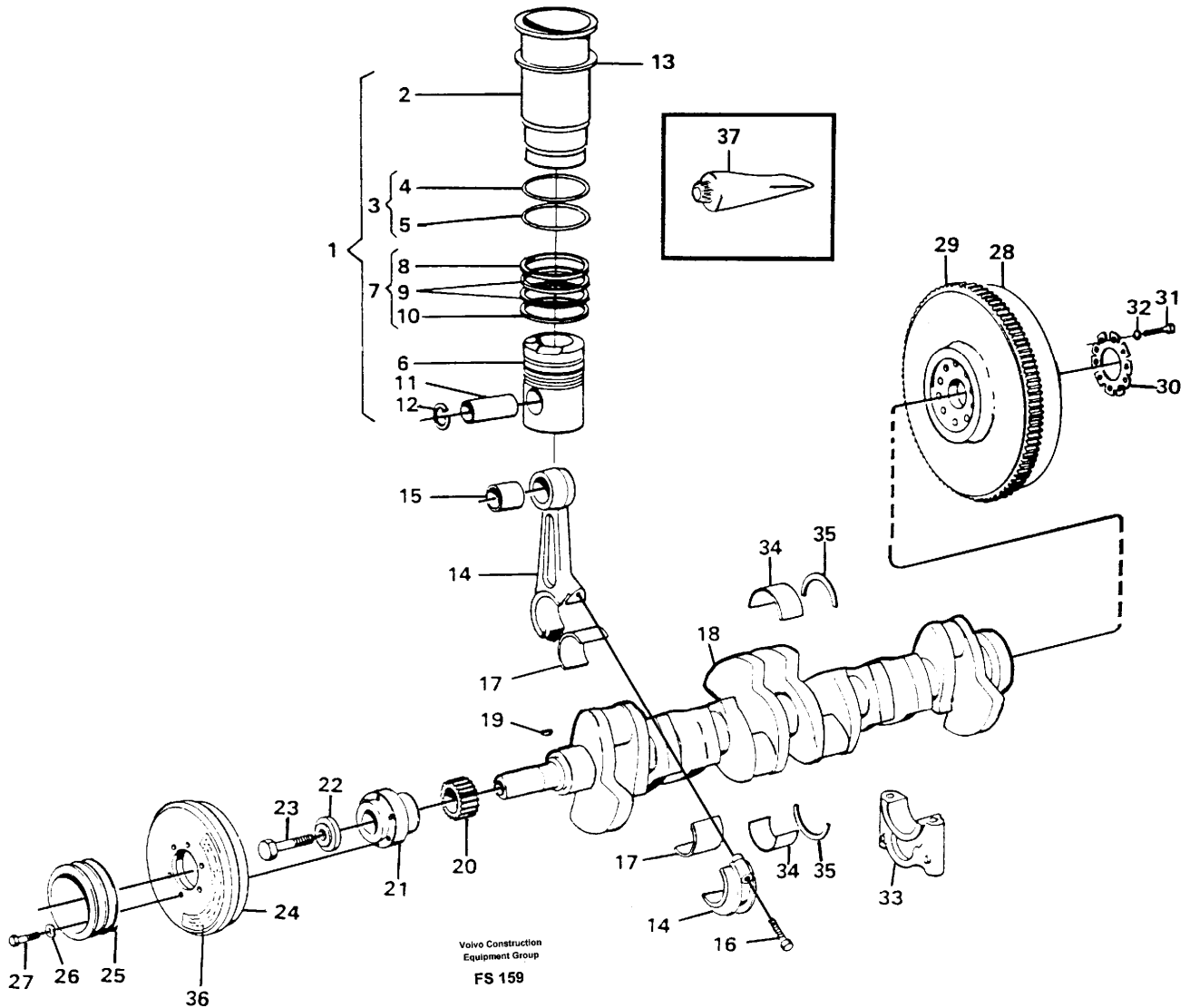


Volvo Construction
Equipment Group
FS 158

Pos	Part	Q1	Q2	Q3	Q4	Q5	PS	Kit	Description	Option(s)	Remark
1	VOE422622	1					OP		Timing gear cover		(VOE422623)
2	VOE470219	1					SS		Pin		Utgått/Deleted
3	VOE13941510	1							Pin		(VOE941510)
4	VOE13941511	1							Pin		(VOE941511)
5	VOE102045	4							Hexagon screw		L=29
6	VOE955537	1							Hexagon screw		L=51
7	VOE13941572	5							Lock washer		(VOE942336)
	VOE13942336								Spring washer		
8		1							Crankshaft gear		See ref 3/4300
9		1							Key		See ref 3/4300
10	VOE423177	1							Oil deflector		
11	VOE422766	1					SS		Pin		
12	VOE467461	1							Idler gear		
13	VOE467528	1							Bearing shield		
14	VOE478951	1							Thrust washer		(VOE467529)
15	VOE468738	3							Screw		L=81

16	VOE942180	3							Disc spring		
17	VOE478297	1							Gear		
20	VOE471555	3							Screw		
	VOE13955675	3							Screw		L = 25 mm
	VOE940128	3							Hexagon screw		L = 51 mm
21		1							Drive gear,inject.pmp		See ref 3/4350
22	VOE470231	1							Gear		
23	VOE470427	1							Wear ring		
24	VOE907024	1							Lock washer		
25	VOE906634	1							Round nut		
26	VOE864622	1							Cap		(VOE848296)
27	VOE424983	1							•Sealing ring		(VOE469507)
27B	VOE941666	1							•Sealing ring		
28	VOE955541	8							Hexagon screw		L = 76 mm
	VOE13940162	10							Screw		L = 38 mm
29	VOE13942336	21							Spring washer		(VOE942336)
30	VOE470231	1							Gear		
31	VOE420178	1							Cover		
32	VOE13975610	1							O-ring		(975610, 413619)
33	VOE953346	3							Stud		
34	VOE941911	3							Spring washer		
35	VOE13955828	2							Nut		(VOE955828)
36	VOE864622	1							Cap		
37	VOE468094	1							Sealing ring		
38	VOE955535	2							Hexagon screw		
39	VOE13942336	2							Spring washer		(VOE942336)
40	VOE7192114	1							Plug		
41	VOE13947627	1							Plane gasket		(VOE947627)
42	VOE943681	1					OP		Plug		
	VOE13960633								Plug		alt
43	VOE925059	1							O-ring		
	VOE13947625								Plane gasket		alt
44		1					NS		Gasket		
45		1					NS		Gasket		
46	VOE1161277	REQ							Sealant		10G

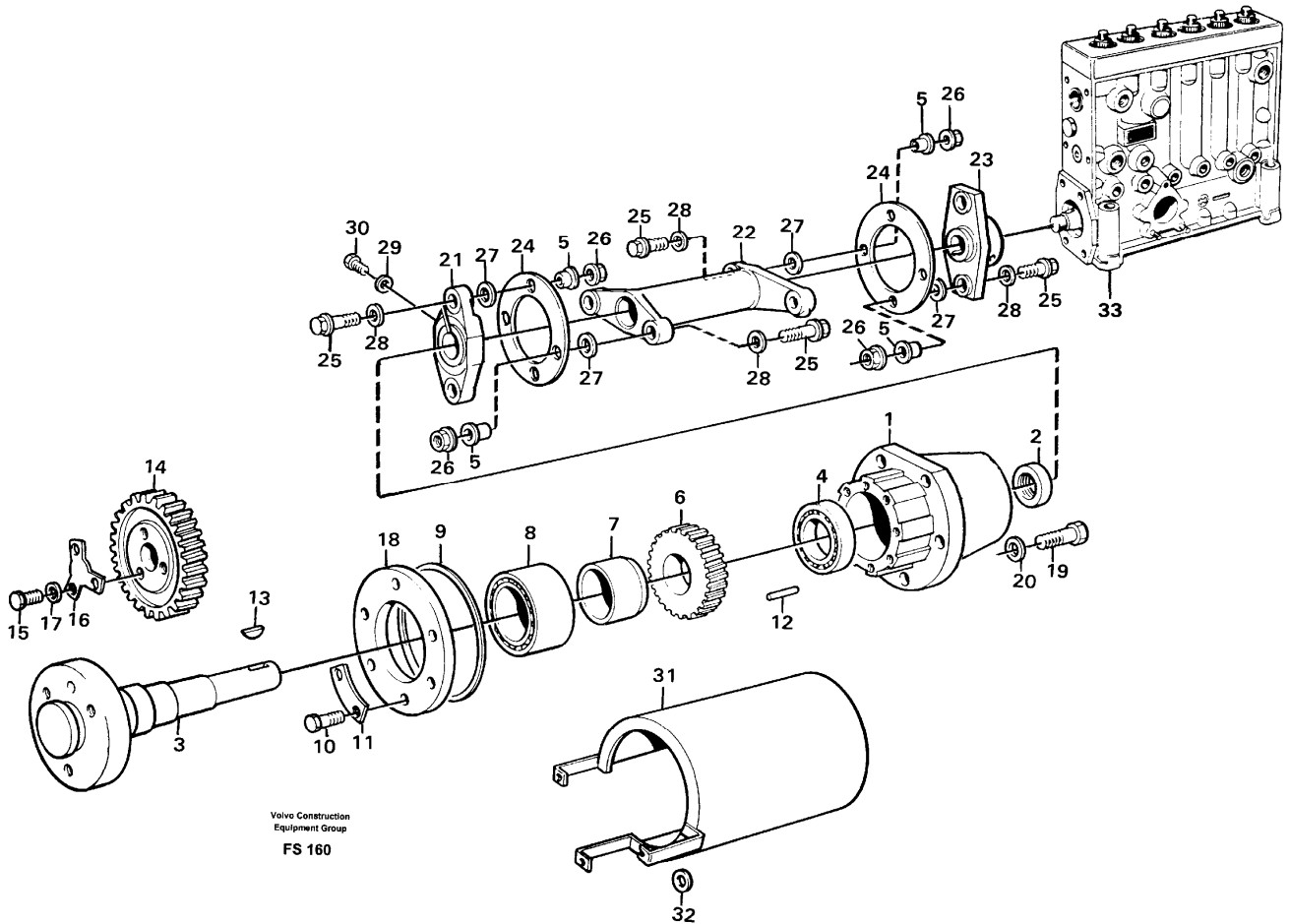
Date: 2014/1/18	Image id: FS159	Catalogue: 99507	Model: EC420
Brand: Åkerman	Serial: 1357-1550	Group/Section: 3/4300	Title: Crankshaft and related parts



Pos	Part	Q1	Q2	Q3	Q4	Q5	PS	Kit	Description	Option(s)	Remark
1	VOE275627	6							Cylinder liner kit		
2		6							•Cylinder liner		
3	VOE271157	6							•Sealing kit		
4		6					NS		••Sealing strip		FODER/LINER
5		6					NS		••Sealing strip		NEDRE/BOTTOM
6		6					NS		•Piston		
7	VOE275084	6							•Piston ring kit		
8	VOE422794	6							••Compression ring		
9	VOE422795	6							••Compression ring		

10		6					NS		••Piston ring		
11	VOE8194539	6							•Gudgeon pin		(VOE479873)
12	VOE417466	12							•Lock ring		
13	VOE422619	REQ							Shim		THICK=0.2
	VOE422620	REQ							Shim		THICK=0.3
	VOE422621	REQ							Shim		THICK=0.5
14	VOE1545299	6							Connecting rod		
15	VOE1545302	6							•Bushing		
16	VOE1545479	12							•Screw		
17	VOE270124	6							Big End Brg Kit		See ref 3/3950
	VOE270125	6							Big End Brg Kit		0.25 UD
	VOE270126	6							Big End Brg Kit		0.50 UD
	VOE270127	6							Big End Brg Kit		0.75 UD
	VOE270128	6							Big End Brg Kit		1.00 UD
18	VOE8194490	1					SS		Crankshaft		(VOE1545657)
19	VOE422253	1							•Key		(VOE7422253)
20	VOE423080	1							Gear		
21	VOE470595	1							Hub		
22	VOE422124	1							Washer		
23	VOE941494	1							Screw		
24	VOE846645	1					SS		Vibration damper		
25	VOE843600	1							Strap		
26	VOE13941909	12							Washer		
27	VOE955550	12							Hexagon screw		
28	VOE864402	1							Flywheel		
29	VOE420794	1							Gear ring		
30	VOE4776071	1							Lock washer		
31	VOE941570	10							Screw		
32	VOE467773	10							Washer		
33		7							Cap		See ref 3/4100
34	VOE270438	7							Main bearing kit		STD D
	VOE270439	7							Main bearing kit		0.010 UD
	VOE270440	7							Main bearing kit		0.020 UD
	VOE270441	7							Main bearing kit		0.030 UD
	VOE270442	7							Main bearing kit		0.040 UD
	VOE270443	7							Main bearing kit		0.050 UD
35	VOE276758	1							Thrust washer kit		See ref 3/3950
	VOE276759	1							Thrust washer kit		(VOE7276759)0.1 ÖD
	VOE276760	1							Thrust washer kit		(VOE7276760)0.2 ÖD
	VOE276761	1							Thrust washer kit		(VOE7276761)0.3 ÖD
36	VOE467834	1							Sign		
37	VOE1161277	1							Sealant		10 Gram

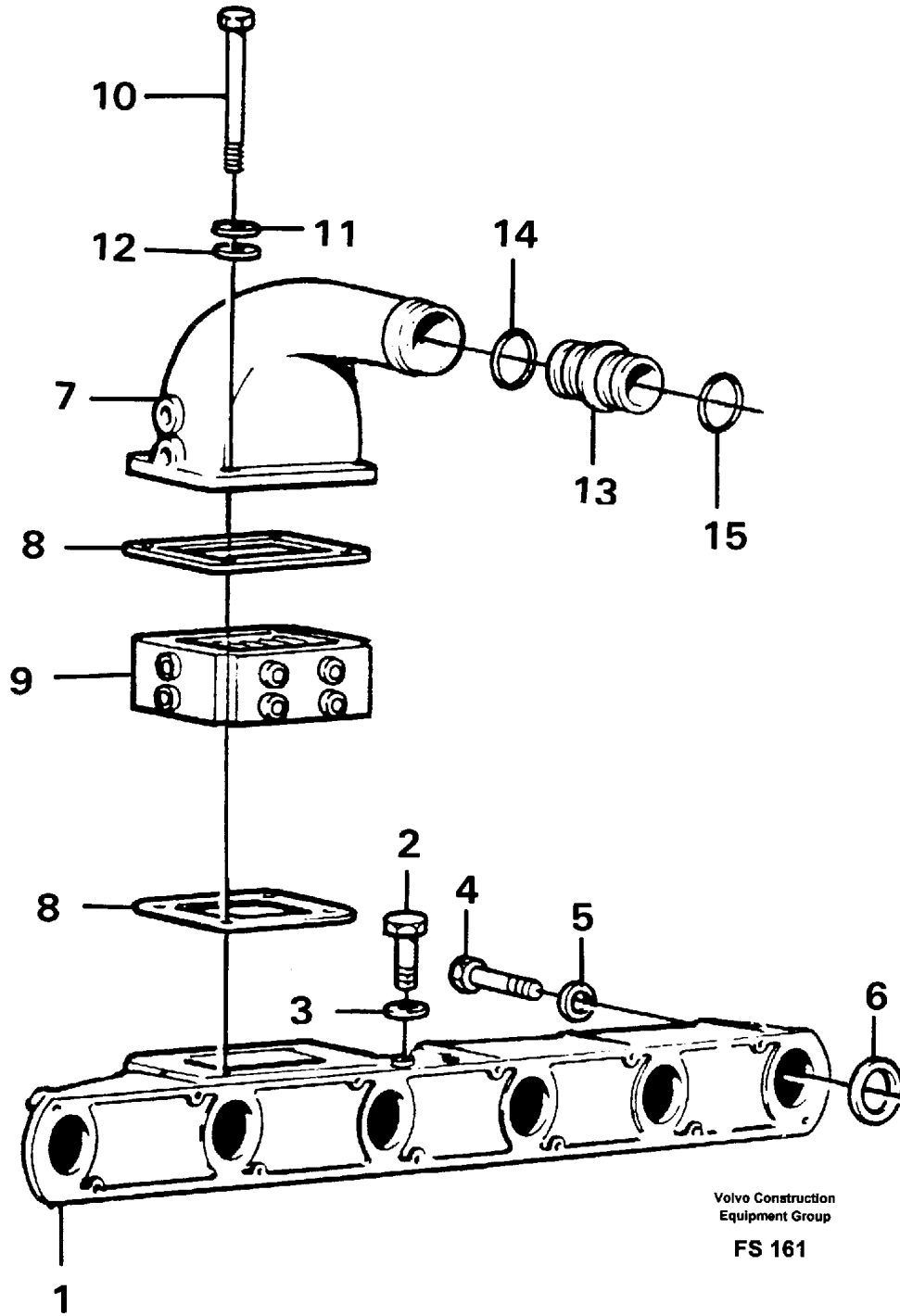
Date: 2014/1/18	Image id: FS160	Catalogue: 99507	Model: EC420
Brand: Åkerman	Serial: 1357-1550	Group/Section: 3/4350	Title: Injection pump with drive



Pos	Part	Q1	Q2	Q3	Q4	Q5	PS	Kit	Description	Option(s)	Remark
1	VOE402903	1							Housing		
2	VOE424580	1							Sealing		
3	VOE471557	1							Shaft		
4	VOE11013	1							Ball bearing		
5	VOE478896	8							Sleeve		
6	VOE469364	1							Drive Gear		
7	VOE469363	1							Stop ring		
8	VOE11000284	1							Ball bearing		
9	VOE423123	1							Sealing ring		
10	VOE955274	6					SS		Hexagon screw		
11	VOE955892	3							Washer		
12	VOE950586	1							Pin		
13	VOE422329	1							Key		

14	VOE423079	1							Gear		
	VOE478297	1							Gear		
15	VOE102056	3							Screw		
16	VOE13942336	1							Spring washer		
17	VOE13942336	3							Spring washer		
18	VOE423074	1							Washer		
19	VOE13940159	5							Screw		
20	VOE13941907	5							Washer		
21	VOE471383	1							Companion flange		
22	VOE471367	1							Intmd Section		
23	VOE471312	1							Companion flange		
24	VOE479459	6							Companion disc		
25	VOE946470	8							Flange screw		
26	VOE13945408	8							Nut		
27	VOE955896	8							Washer		
28	VOE976944	8							Washer		(VOE13960141)
29	VOE13970878	1							Hexagon screw		
30	VOE976945	1							Washer		(VOE13960148)
31	VOE865261	1							Protection		
32	VOE13955894	1							Washer		(VOE955894)
33		1							Injection pump		See ref 3/4725

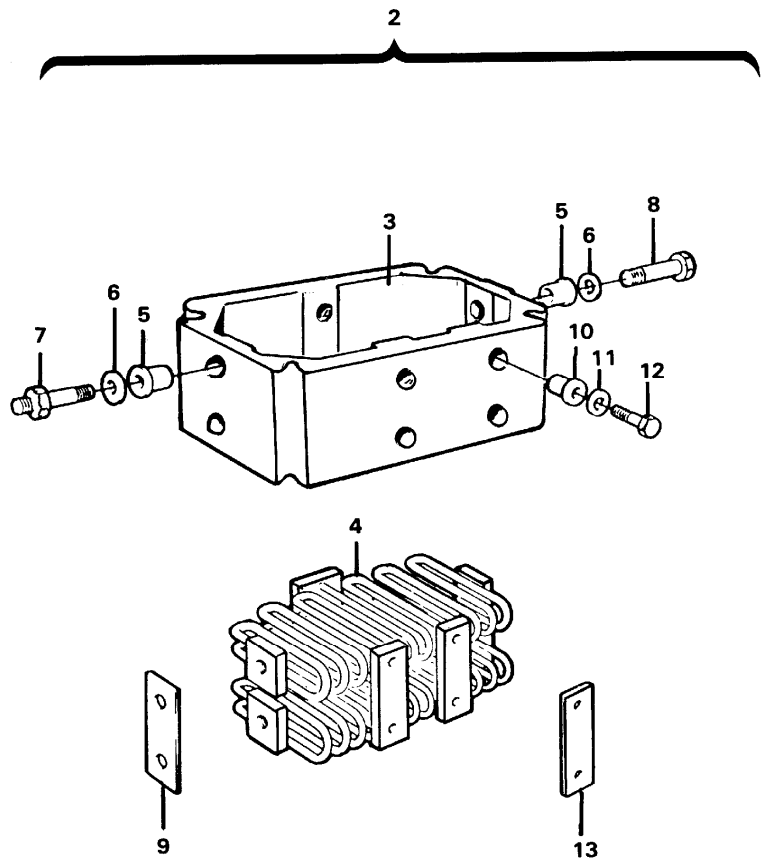
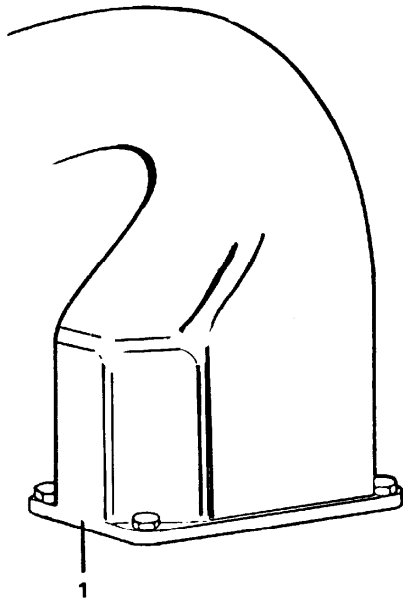
Date: 2014/1/18	Image id: FS161	Catalogue: 99507	Model: EC420
Brand: Åkerman	Serial: 1357-1550	Group/Section: 3/4375	Title: Inlet manifold



Pos	Part	Q1	Q2	Q3	Q4	Q5	PS	Kit	Description	Option(s)	Remark
1	VOE1545048	1					SS		Inlet Pipe		

	VOE479979	1							•Plug		
2	VOE940113	1							Hexagon screw		
3	VOE947620	1							Gasket		
4	VOE955526	6							Hexagon screw		L = 51 mm
	VOE955533	1							Hexagon screw		L = 102 mm
	VOE13949886	2							Bolt		L = 108 mm
	VOE192546	4							Screw		
5	VOE13941907	12							Washer		
6	VOE469829	6							Sealing ring		
7	VOE469525	1							Pipe		
8	VOE424618	2							Gasket		
9		1							Starter element		See ref 3/4385
10	VOE955532	4							Hexagon screw		
11	VOE13941907	4							Washer		
12	VOE13955894	4							Washer		(VOE955894)
13	VOE469510	1							Tube		
14	VOE469508	1							Sealing ring		
15	VOE469509	1							Sealing ring		

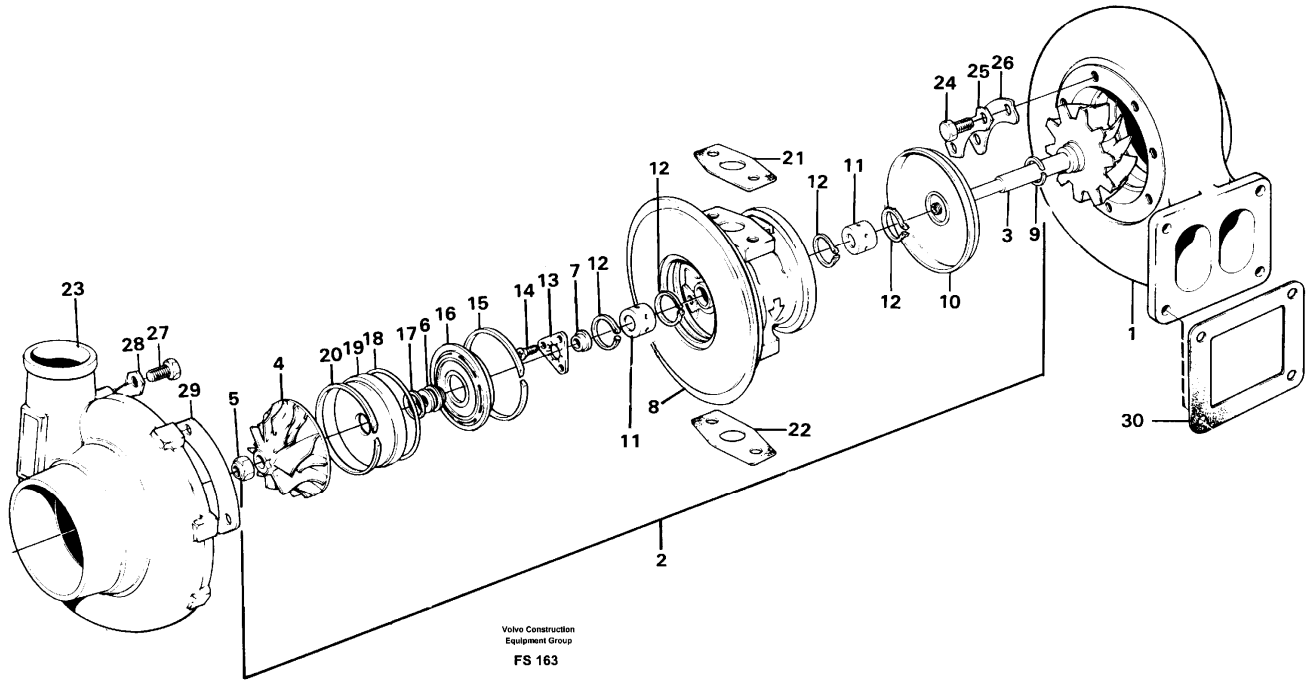
Date: 2014/1/18	Image id: FS162	Catalogue: 99507	Model: EC420
Brand: Åkerman	Serial: 1357-1550	Group/Section: 3/4385	Title: Pre-heater



Volvo Construction
Equipment Group
FS 162

Pos	Part	Q1	Q2	Q3	Q4	Q5	PS	Kit	Description	Option(s)	Remark
1	VOE469525	1							Pipe		
2	VOE471867	1							Starter element		24V See ref 3/4375
3	VOE470199	1							•Intermediate section		
3A	VOE477121	1							•Repair kit		
4	VOE471862	1							••Heater		
5	VOE468511	4							••Bushing		
6	VOE13949041	4							••Washer		
7	VOE1501520	2							••Screw		
8	VOE949894	2							••Flange screw		
9	VOE477110	2							••Plate		
10	VOE468468	6							••Sleeve		

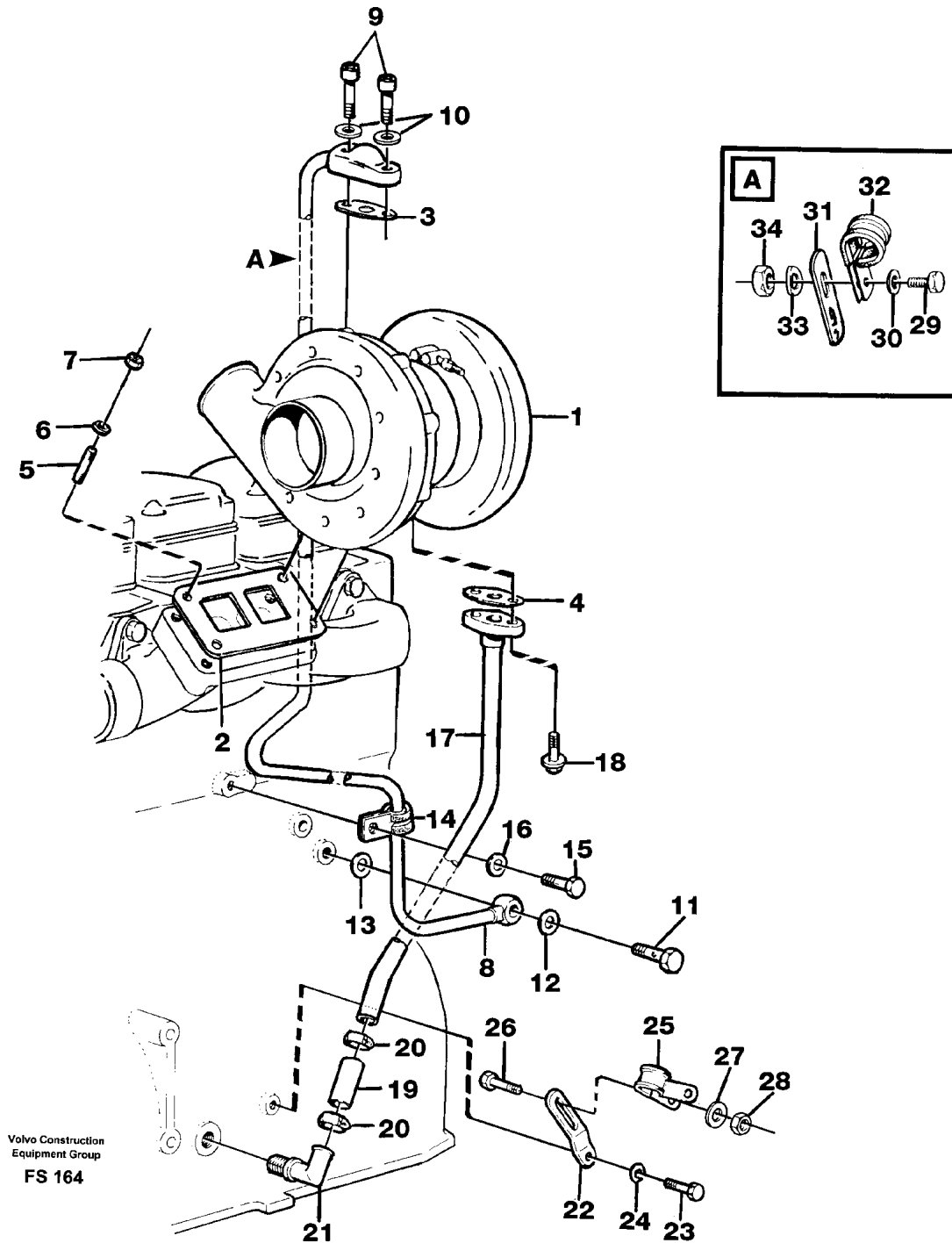
Date: 2014/1/18	Image id: FS163	Catalogue: 99507	Model: EC420
Brand: Åkerman	Serial: 1357-1550	Group/Section: 3/4400	Title: Turbocharger with fitting parts



Pos	Part	Q1	Q2	Q3	Q4	Q5	PS	Kit	Description	Option(s)	Remark
	VOE1545097	1							Turbocharger		
1		1					NS		•Turbine housing		
2	VOE1696394	1							•Rotor		
		1					NS		••Rotor		
3	VOE1697461	1					OP		•••Turbine shaft		(VOE1696391)
4	VOE1695963	1							•••Turbine rotor		
5	VOE1695964	1					OP	K	•••Nut		
6	VOE1695965	1							•••Sealing		
7	VOE1695966	1					OP		•••Thrust washer		
8		1					NS		••Bearing housing		
9	VOE466685	1						K	••Piston ring		
10	VOE1695977	1					OP		••Heat shield		
11		2					NS	K	••Bearing		
12	VOE411790	4							••Lock ring		
13		1					NS	K	••Thrust washer		
14	VOE1695976	3					OP	K	••Screw		
15	VOE1695973	1							••Retaining ring		
16	VOE11992056	1					OP		••Compressor wheel		
17	VOE1695971	1					OP	K	••Piston ring		

18	VOE1695974	1					OP	K	••O-ring		
19		1					NS		••End plate		
20	VOE1695975	1					OP		••Lock ring		
21	VOE420641	1							••Gasket		(VOE420475)
22	VOE420643	1						K	••Gasket		(VOE1545205)
23		1					NS		•Compressor housing		
24	VOE1695980	6					OP	K	•Screw		
25	VOE411776	3					OP		•Plate		
26	VOE1695981	3						K	•Plate		
27	VOE1695982	8					OP	K	•Screw		
28	VOE1696392	4					OP		•Lock washer		
29	VOE1695984	4							•Clamping plate		
30	VOE8194365	1						K	•Gasket		(VOE1545141)
	VOE275948	1							Repair kit		(270964, 11000287)

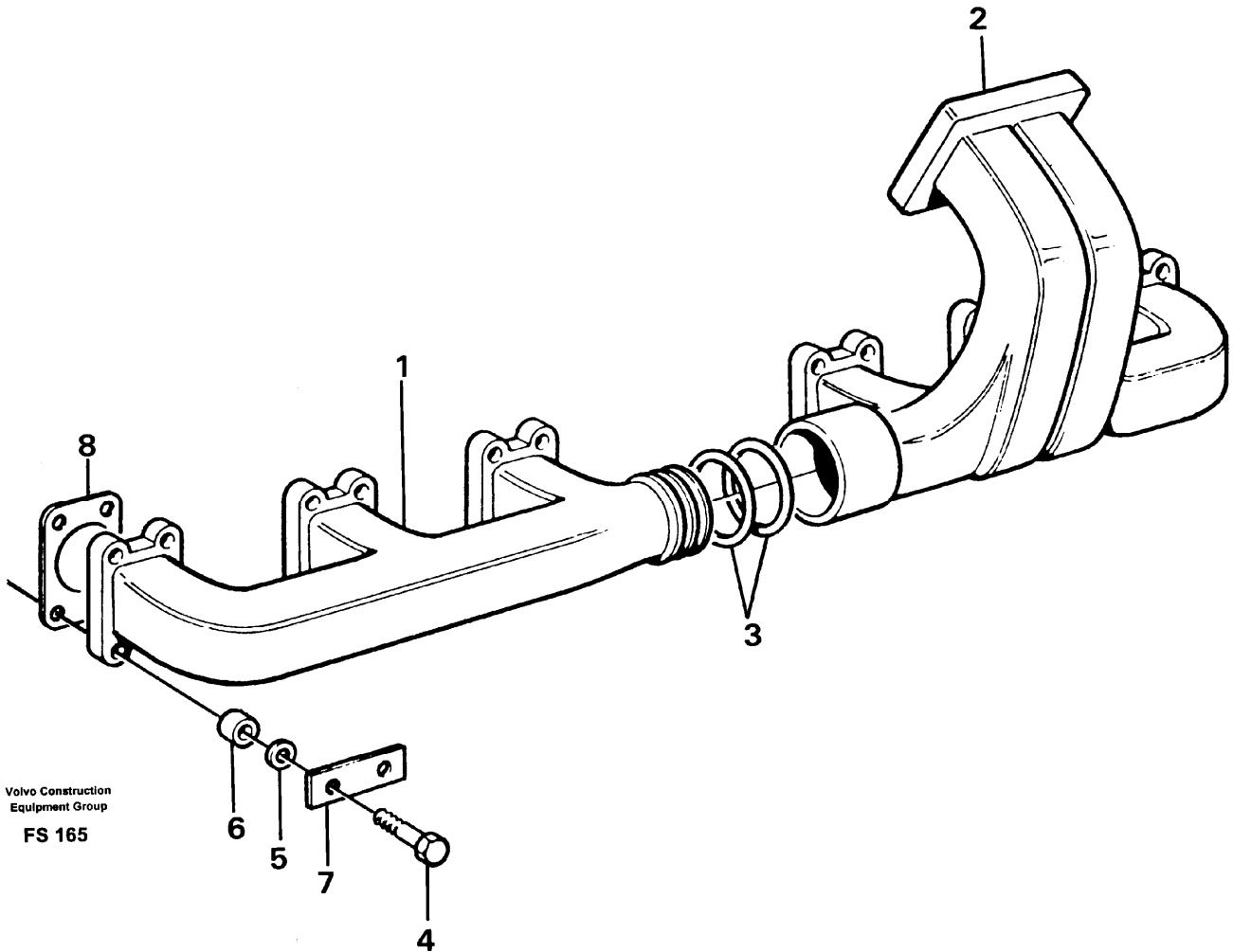
Date: 2014/1/18	Image id: FS164	Catalogue: 99507	Model: EC420
Brand: Åkerman	Serial: 1357-1550	Group/Section: 3/4415	Title: Turbocharger, fitting parts



Pos	Part	Q1	Q2	Q3	Q4	Q5	PS	Kit	Description	Option(s)	Remark
1		1							Turbocharger		See ref 3/4400

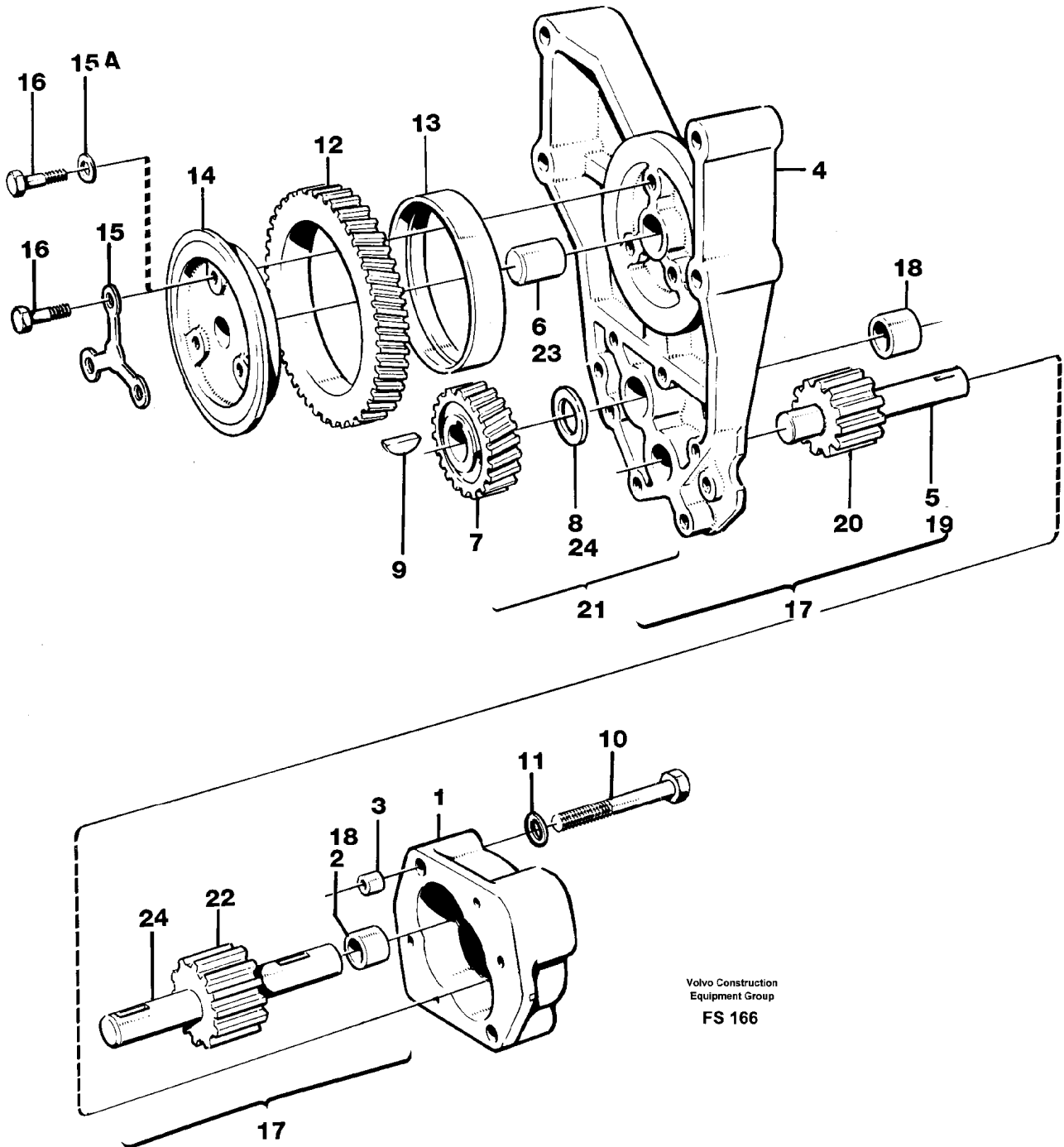
2		1							Gasket		See ref 3/4400
3	VOE420641	1							Gasket		
4	VOE470993	1							Gasket		
5	VOE468892	4							Stud		
6	VOE13940097	4							Washer		(VOE940097)
7	VOE478346	4							Nut		
8	VOE849612	1					OP		Oil feed pipe		
9	VOE955297	1							Hexagon screw		L = 25 mm
	VOE940142	1							Hexagon screw		L = 30 mm
10	VOE13941907	2							Washer		(VOE941907)
11	VOE942007	1							Hollow screw		
12	VOE13947624	1							Plane gasket		(VOE7011998)
13	VOE942703	1							Gasket		
14	VOE13946834	1							Clamp		(VOE946834)
15	VOE13955523	1							Screw		L = 16 mm
	VOE942402	1							Flange screw		
16	VOE13941907	1							Washer		
17	VOE11031167	1					OP		Oil return pipe		
18	VOE13965215	2							Flange screw		(VOE945444)
19	VOE466328	1							Hose		
20	VOE13943474	2							Hose clamp		(VOE943474)
21	VOE479959	1							Nipple		(VOE468629)
22	VOE414692	1							Bracket		
23	VOE955534	1							Hexagon screw		
24	VOE13942336	1							Spring washer		(VOE942336)
25	VOE952632	1							Clamp		
26	VOE950046	1							Cross recessed screw		
27	VOE13941906	1							Washer		
28	VOE955825	1							Hexagon nut		
29	VOE950046	1							Cross recessed screw		
30	VOE13941906	1							Washer		(VOE941906)
31	VOE13965535	1							Bracket		(VOE965535)
32	VOE952626	1							Clamp		
33	VOE13941906	1							Washer		
34	VOE955825	1							Hexagon nut		

Date: 2014/1/18	Image id: FS165	Catalogue: 99507	Model: EC420
Brand: Åkerman	Serial: 1357-1550	Group/Section: 3/4425	Title: Exhaust manifold and installation components



Pos	Part	Q1	Q2	Q3	Q4	Q5	PS	Kit	Description	Option(s)	Remark
1	VOE1545028	1							Exhaust pipe		
2	VOE469527	1					SS		Exhaust manifold		
3	VOE1545109	2							Sealing ring		
	VOE471219	2							Sealing ring		
4	VOE945698	24							Screw		
5	VOE941744	24							Washer		
6	VOE422217	22							Spacer sleeve		
7	VOE13966717	12							Tab washer		
8	VOE479107	6							Gasket		(VOE479107)

Date: 2014/1/18	Image id: FS166	Catalogue: 99507	Model: EC420
Brand: Åkerman	Serial: 1357-1550	Group/Section: 3/4450	Title: Oil pump

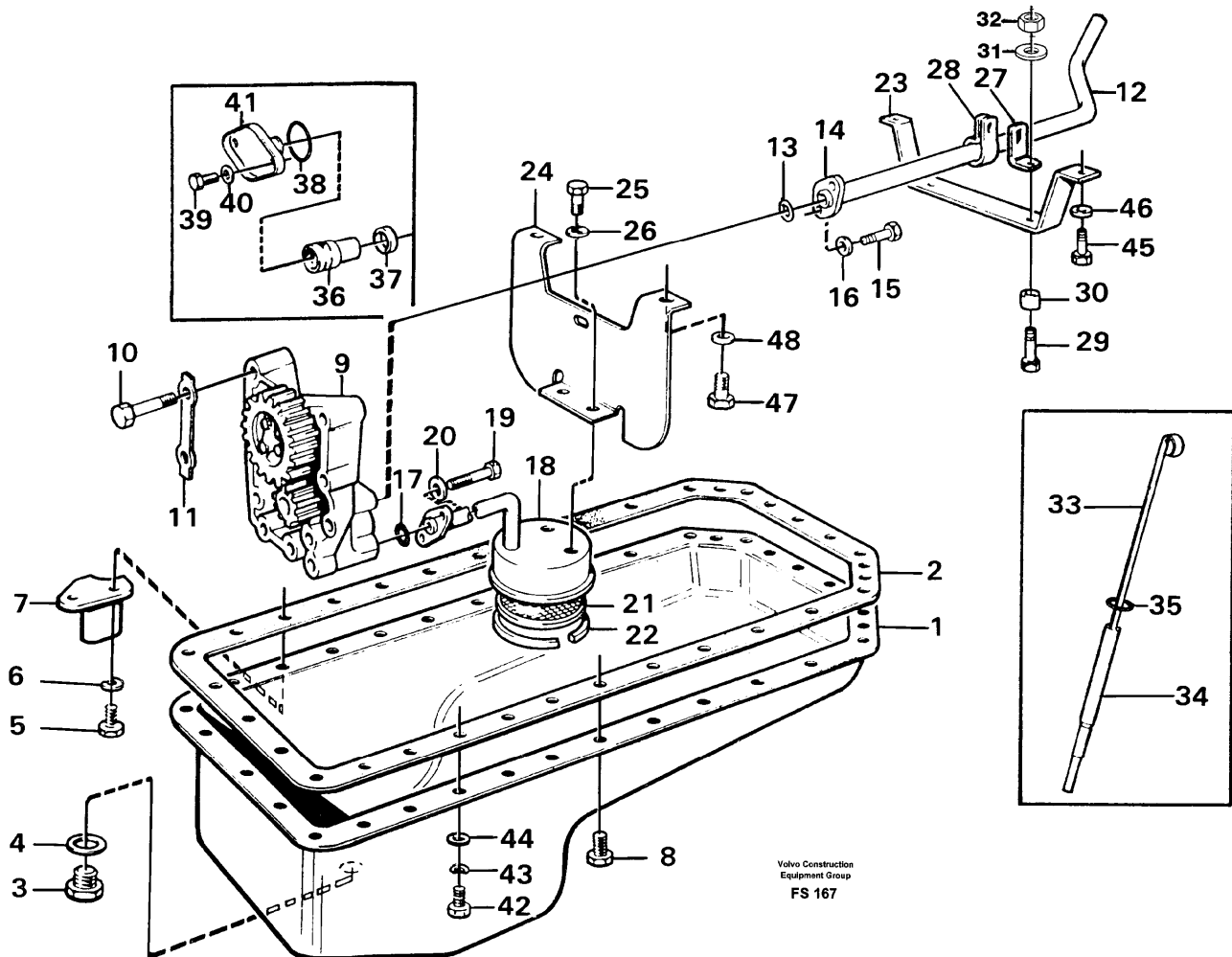


Volvo Construction
Equipment Group
FS 166

Pos	Part	Q1	Q2	Q3	Q4	Q5	PS	Kit	Description	Option(s)	Remark
	VOE479319	1							Oil Pump		
1	VOE465685	1							•Housing		

2	VOE470234	2							•Bushing		
3	VOE401146	1							•Guide sleeve		
4	VOE422042	1							•Bracket		
5	VOE422041	1							••Pivot Pin		
6	VOE191171	1							•Pin		
7	VOE425027	1							•Drive Gear		
8	VOE424133	1							•Thrust washer		
9	VOE910115	1							•Woodruff key		
10	VOE955528	2							•Hexagon screw		
11	VOE13941907	3							•Washer		
12	VOE422047	1							•Idler gear		
13		1					NS		••Bushing		
14	VOE422313	1							•Bearing sleeve		
15	VOE13941907	1							•Washer		
15A	VOE13942336	3							•Spring washer		
16	VOE940186	3							•Hexagon screw		
17	VOE276155	1							Repair kit		
18	VOE470234	2							•Bushing		
19	VOE422041	1							•Pivot Pin		
20	VOE425183	1							•Gear		
21		1					NS		Shaft / Gear		
22	VOE425183	1							••Gear		
23	VOE470234	1							•Bushing		
24	VOE424133	1							•Thrust washer		

Date: 2014/1/18	Image id: FS167	Catalogue: 99507	Model: EC420
Brand: Åkerman	Serial: 1357-1550	Group/Section: 3/4500	Title: Lubricating-oil system



Pos	Part	Q1	Q2	Q3	Q4	Q5	PS	Kit	Description	Option(s)	Remark
1	VOE862014	1					OP		Oil Pan		
2	VOE1545696	1							Gasket		
3	VOE13949175	1							Magnetic plug		
4	VOE949329	1							Gasket		
5	VOE955525	2							Hexagon screw		
6	VOE13941907	2							Washer		
7	VOE467916	1					OP		Bracket		
8	VOE942402	39							Flange screw		
9		1							Oil pump		See ref 3/4450
10	VOE955538	4							Hexagon screw		
11	VOE190529	2					OP		Tab washer		



Suggest:

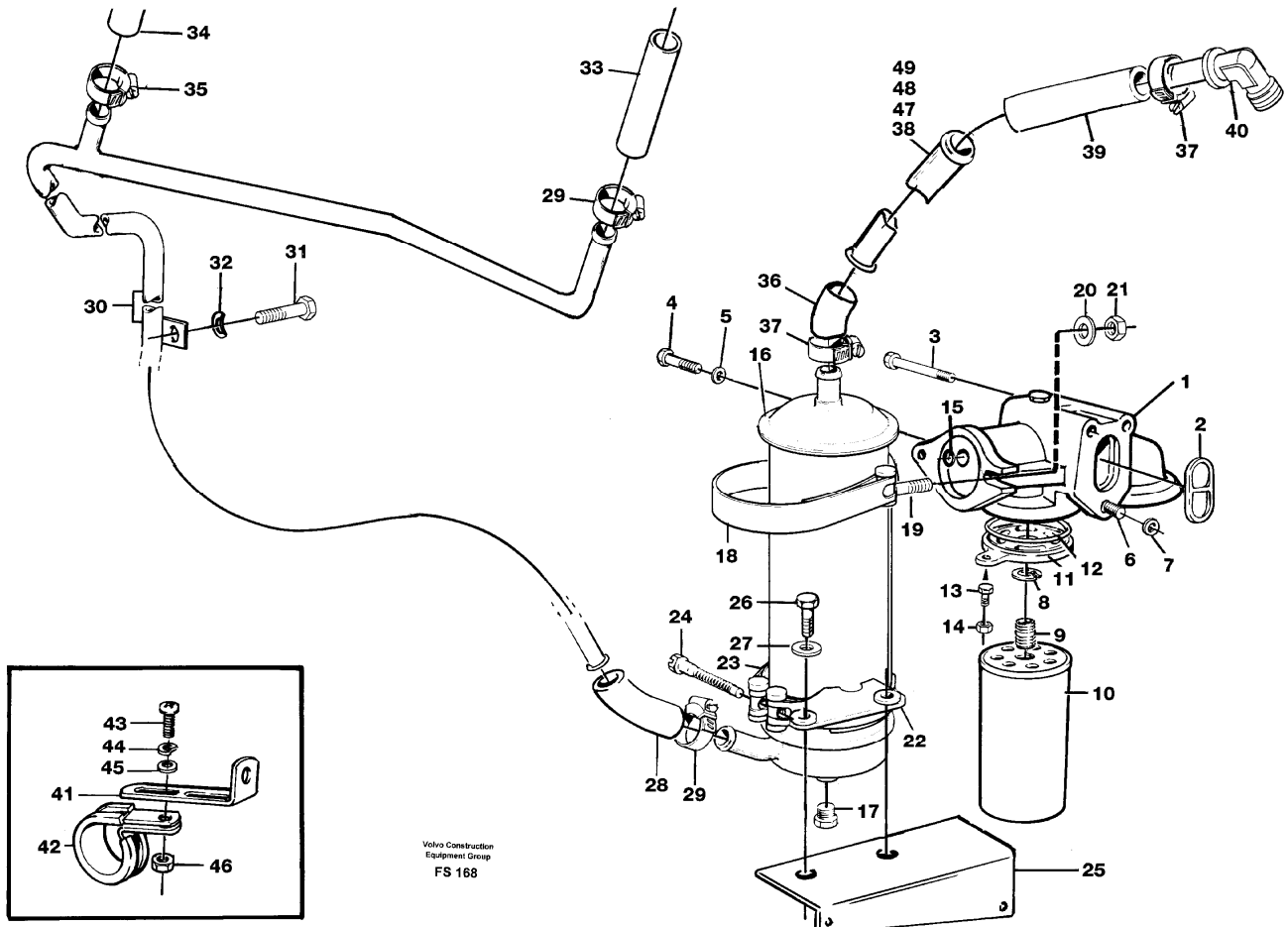
For more complete manuals. Please go to the home page.

<https://www.ebooklibonline.com>

If the above button click is invalid. Please download this document first, and then click the above link to download the complete manual.

Thank you so much for reading

Date: 2014/1/18	Image id: FS168	Catalogue: 99507	Model: EC420
Brand: Åkerman	Serial: 1357-1550	Group/Section: 3/4550	Title: Oil cooler



Pos	Part	Q1	Q2	Q3	Q4	Q5	PS	Kit	Description	Option(s)	Remark
1		1							Oil filter housing		See ref 3/4600
2	VOE469487	1							Gasket		
3	VOE955544	2							Hexagon screw		L=102
4	VOE940156	2							Hexagon screw		L=89
5	VOE13940097	4							Washer		(VOE940097)
6	VOE13940115	2							Screw		L=25
7	VOE13942336	4							Spring washer		(VOE940097)
8	VOE914461	2							Retaining ring		
9	VOE466623	2							Nipple		L = 36 mm
	VOE4771600	2							Nipple		L = 47 mm
10	VOE466634	2							Oil filter		
11	VOE4771601	2							Plate		
12	VOE968759	2							O-ring		

13	VOE946471	2							Flange screw		
14	VOE13961293	2							Nut		(VOE961293)
15	VOE469483	2							Sealing ring		
16	VOE468035	1							Oil cooler		
	VOE944551	1							•Rubber ring		
17	VOE180759	1							Plug		
18	VOE1545255	1							Tensioning band		
19	VOE924072	2							Stud		
20	VOE976944	2							Washer		(VOE960141)
21	VOE955782	2							Hexagon nut		
22	VOE468653	1							Anchorage		
23	VOE1545256	1							Tensioning band		
24	VOE1545257	1							Screw		
25	VOE13965556	1							Bracket		(VOE11031041)
26	VOE942402	4							Flange screw		(VOE955523)
27	VOE13955894	4							Washer		(VOE955894)
28	VOE351574	1							Hose		(VOE467538)
29	VOE13943474	4							Hose clamp		(VOE943474)
30	VOE848698	1							Coolant pipe		
31	VOE13955523	1							Screw		
	VOE13942624	1							Flange screw		(EH942624)L PROD
32	VOE13941907	1							Washer		
33	VOE351574	1							Hose		
34	VOE842235	1					OP		Cap		
35	VOE945754	1							Hose clamp		
36	VOE351574	1							Hose		(VOE467538)
37	VOE13943474	4							Hose clamp		(VOE943474)
38	VOE467922	1							Tube		
39	VOE943369	REQ							Hose		L=75
40	VOE467716	1							Nipple		
41	VOE13965556	2							Bracket		(VOE965558)
42	VOE952632	2							Clamp		
43	VOE950046	2							Cross recessed screw		
44	VOE13941906	2							Washer		(VOE941906)
45	VOE955893	2							Washer		
46	VOE955825	1							Hexagon nut		ID= 1/4"
	VOE955826	1							Hexagon nut		ID= 5/16"
47	VOE13940133	1							Screw		(VOE940133)
48	VOE13955894	1							Washer		(VOE955894)
49	VOE955921	1							Spring washer		(VOE941907)

<https://www.ebooklibonline.com>

Hello dear friend!

Thank you very much for reading.

Enter the link into your browser.

The full manual is available for immediate download.

<https://www.ebooklibonline.com>