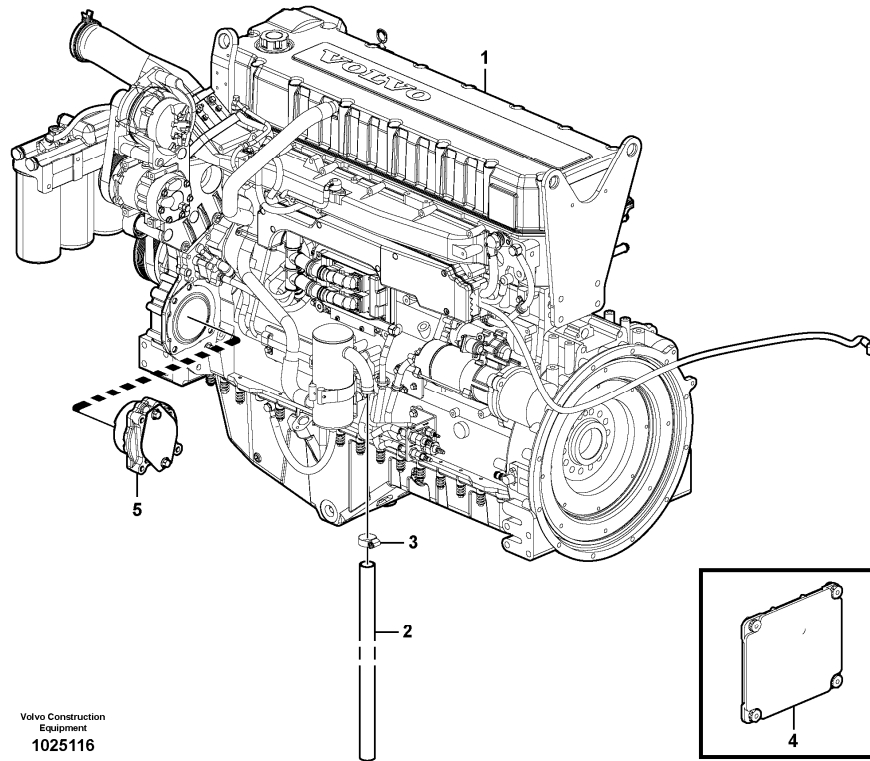


Date: 2014/1/14	Image id: 1025116	Catalogue: 20101	Model: EC360C L
Brand: Volvo	Serial: 110001-115000, 140001-145000	Group/Section: 210/100	Title: Engine



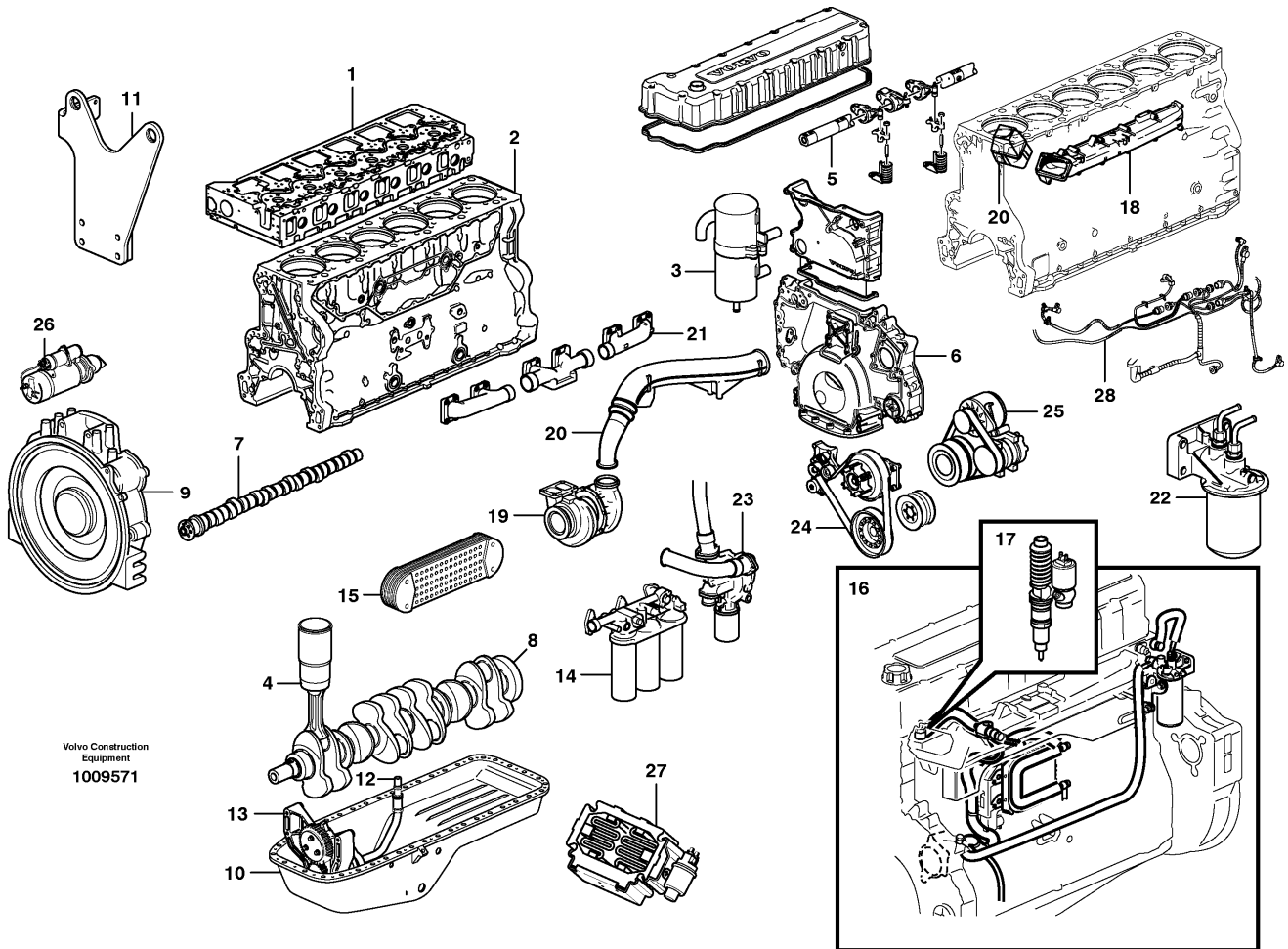
Section option	Kit	Option description
VOE8280231		Engine with Epa label EMISSION CERTIFICATED FROM EU&EPA
VOE8280890	VOE14564601	Leak-off line for slope-rotator on basic machine ON/OFF
VOE8280891	VOE14564603	Leak-off line for slope-rotator on basic machine PROPORTIONAL CONTROL

Q1-Q5	Option	Option description	
Q1 8280231	VOE8280231	Engine with Epa label EMISSION CERTIFICATED FROM EU&EPA	
Q2 8280890	VOE8280890	Leak-off line for slope-rotator on basic machine ON/OFF	
Q3 8280891	VOE8280891	Leak-off line for slope-rotator on basic machine PROPORTIONAL CONTROL	

Pos	Part	Q1	Q2	Q3	Q4	Q5	PS	Kit	Description	Option(s)	Remark
1		1							Engine		See ref 210/200
2	VOE14881131	1							Hose		
3	SA9312-10175	1							Clamp		

4	VOE20814604	1						ECU		
5			1	1			NS	Power Take-off		

Date: 2014/1/14	Image id: 1009571	Catalogue: 20101	Model: EC360C L
Brand: Volvo	Serial: 110001-115000, 140001-145000	Group/Section: 210/200	Title: Engine 8280231



Section option	Kit	Option description
VOE8280231		Engine with Epa label EMISSION CERTIFICATED FROM EU&EPA

Q1-Q5	Option	Option description
Q1 8188768	VOE8188768	Engine D12DEBE3
Q2 8188756	VOE8188756	Engine D12D TIER 3
Q3 8188757	VOE8188757	Engine D12D-P

Pos	Part	Q1	Q2	Q3	Q4	Q5	PS	Kit	Description	Option(s)	Remark
1	VOE8188768	1					SS		Engine		S/N - 110411 KOR S/N - 140011 USA
	VOE8188756		1				SS		Engine		D12D-H S/N 110412 - 110481 KOR S/N 140012 - 140044 USA

<https://www.ebooklibonline.com>

Hello dear friend!

Thank you very much for reading.

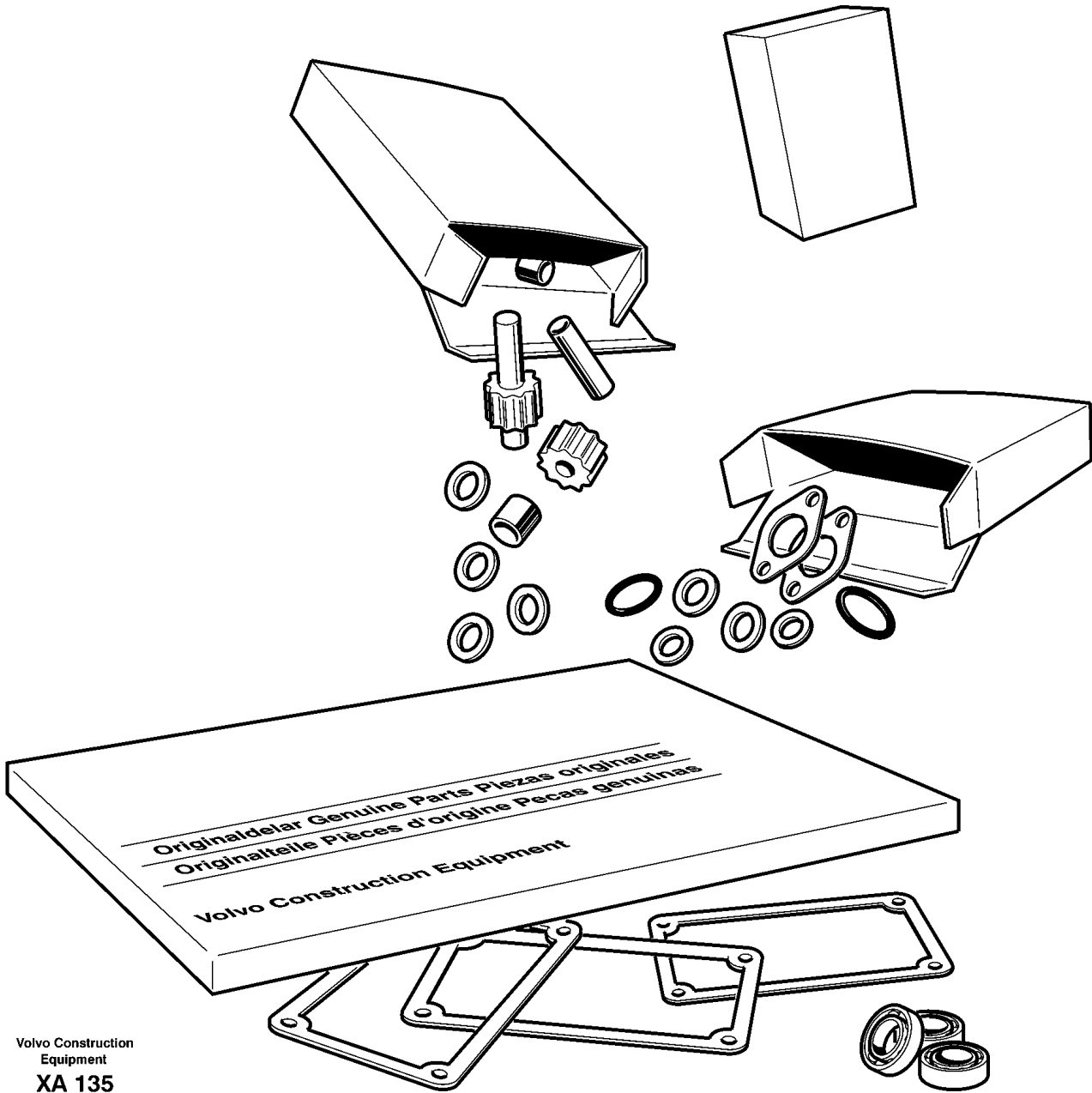
Enter the link into your browser.

The full manual is available for immediate download.

<https://www.ebooklibonline.com>

	VOE8188757			1					Engine		D12D-P S/N 110482 - KOR S/N 140045 - USA
1		1	1	1					•Cylinder head		See ref 211/100
2		1	1	1					•Cylinder block		See ref 212/100
3		1	1	1					•Crankcase ventilation		See ref 212/300
4		6	6	6					•Cylinder liner		See ref 213/100
5		1	1	1					•Valve mechanism		See ref 214/100
6		1	1	1					•Timing gear casing		See ref 215/100
7		1	1	1					•Camshaft		See ref 215/200
8		1	1	1					•Crankshaft		See ref 216/100
9		1	1	1					•Flywheel housing		See ref 216/200
10		1	1	1					•Oil sump		See ref 217/100
11		1	1	1					•Engine mounting		See ref 218/200
12		1	1	1					•Lubricating system		See ref 221/100
13		1	1	1					••Oil pump		See ref 221/200
14		1	1	1					•Oil filter		See ref 222/100
15		1	1	1					•Oil cooler		See ref 223/100
16		1	1	1					•Fuel pipes		See ref 235/200
17		1	1	1					••Injector		See ref 237/300
18		1	1	1					•Inlet pipe		See ref 251/100
19		1	1	1					•Turbocharger		See ref 255/100
20		1	1	1					•Charge air cooler		See ref 258/100
21		1	1	1					•Exhaust pipe		See ref 251/100
22		1	1	1					•Coolant filter		See ref 261/700
23		1	1	1					•Water pump and thermo		See ref 262/100
24		1	1	1					•Belt transmission		See ref 263/100
25		1	1	1					•Alternator with fitti		See ref 321/100
26		1	1	1					•Starter motor		See ref 331/100
27		1	1	1					•Starter Element		See ref 333/200
28		1	1	1					•Cable harness, ECU		See ref 371/300

Date: 2014/1/14	Image id: XA135	Catalogue: 20101	Model: EC360C L
Brand: Volvo	Serial: 110001-115000, 140001-145000	Group/Section: 210/300	Title: Repair kits for engine

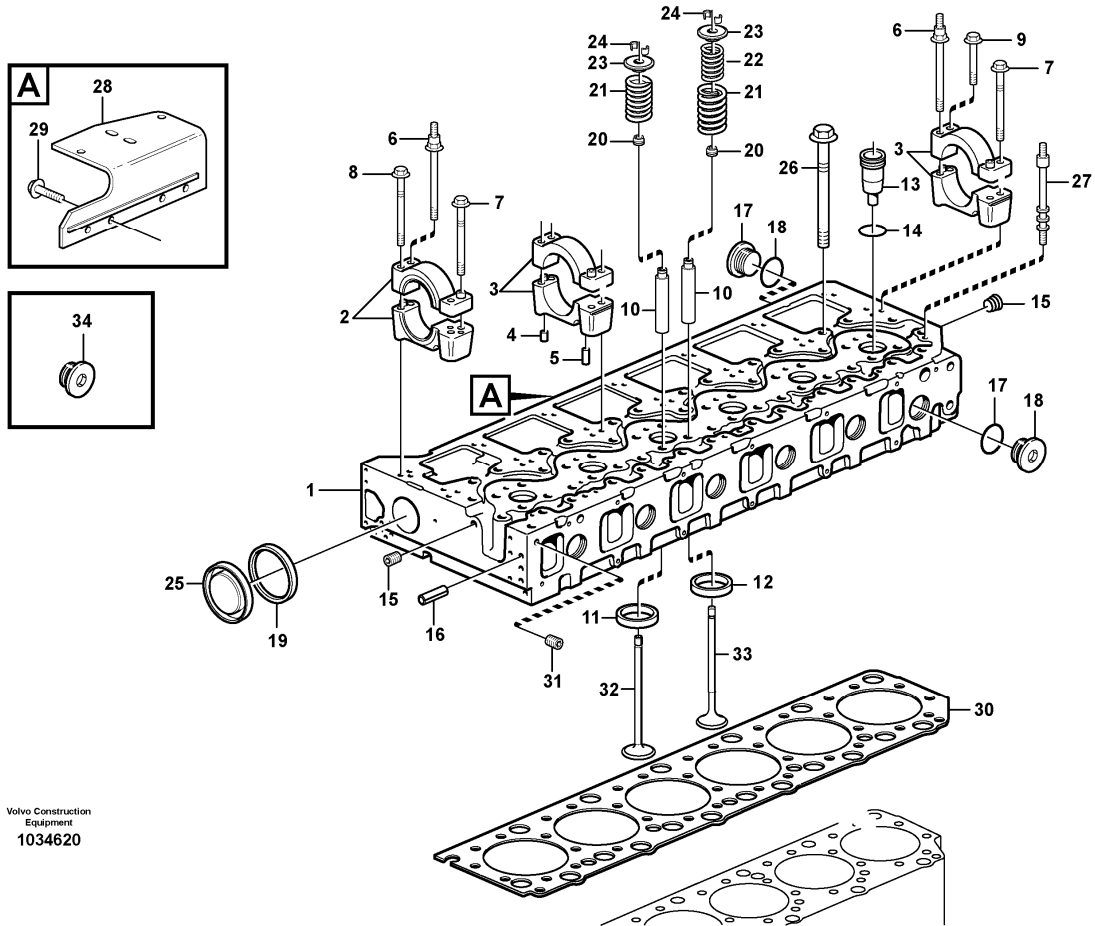


Section option	Kit	Option description
VOE8280231		Engine with Epa label EMISSION CERTIFICATED FROM EU&EPA

Q1-Q5	Option	Option description
Q1 8280231	VOE8280231	Engine with Epa label EMISSION CERTIFICATED FROM EU&EPA

Pos	Part	Q1	Q2	Q3	Q4	Q5	PS	Kit	Description	Option(s)	Remark
	VOE3099100	1							Gasket kit		FOR CYLINDER HEAD See ref 211/100
	VOE11712686	6							Cylinder liner kit		See ref 213/100
	VOE270950	6							•Sealing kit		
	VOE276949	6							•Piston ring kit		
	VOE276630	1							Bearing shell kit		CAMSHAFT See ref 215/200
		6							Big end brg kit		See ref 216/100
		7							Mn bearing kit		See ref 216/100
		1							Thrust washer kit		See ref 216/100
	VOE11127584	1							Gasket		OIL PAN See ref 217/100
	VOE3092642	1							De-carbonizing kit		FOR DECARBONIZING
	VOE3964604	16							•Bushing		
	VOE859171	24							•Valve seal		
	VOE21070576	1							•Sealing strip		(VOE8170116)
	VOE1544710	2							•Sealing ring		
	VOE1547252	1							•Sealing ring		
	VOE1547254	2							•Sealing ring		
	VOE1636309	1							•Sealing ring		
	VOE1677370	2							•Sealing ring		
	VOE3165097	1							•Sealing ring		
	VOE20714247	1							•Seg moulding		(VOE8170452)
	VOE7011996	7							•Gasket		
	VOE8149301	1							•Gasket		
	VOE8170473	1							•Gasket		
	VOE8170519	1							•Gasket		
	VOE1675841	1							•Gasket		
	VOE949659	12							•O-ring		
	VOE3165747	6							•O-ring		
	VOE13949656	1							•O-ring		

Date: 2014/1/14	Image id: 1034620	Catalogue: 20101	Model: EC360C L
Brand: Volvo	Serial: 110001-115000, 140001-145000	Group/Section: 211/100	Title: Cylinder head



Volvo Construction
Equipment
1034620

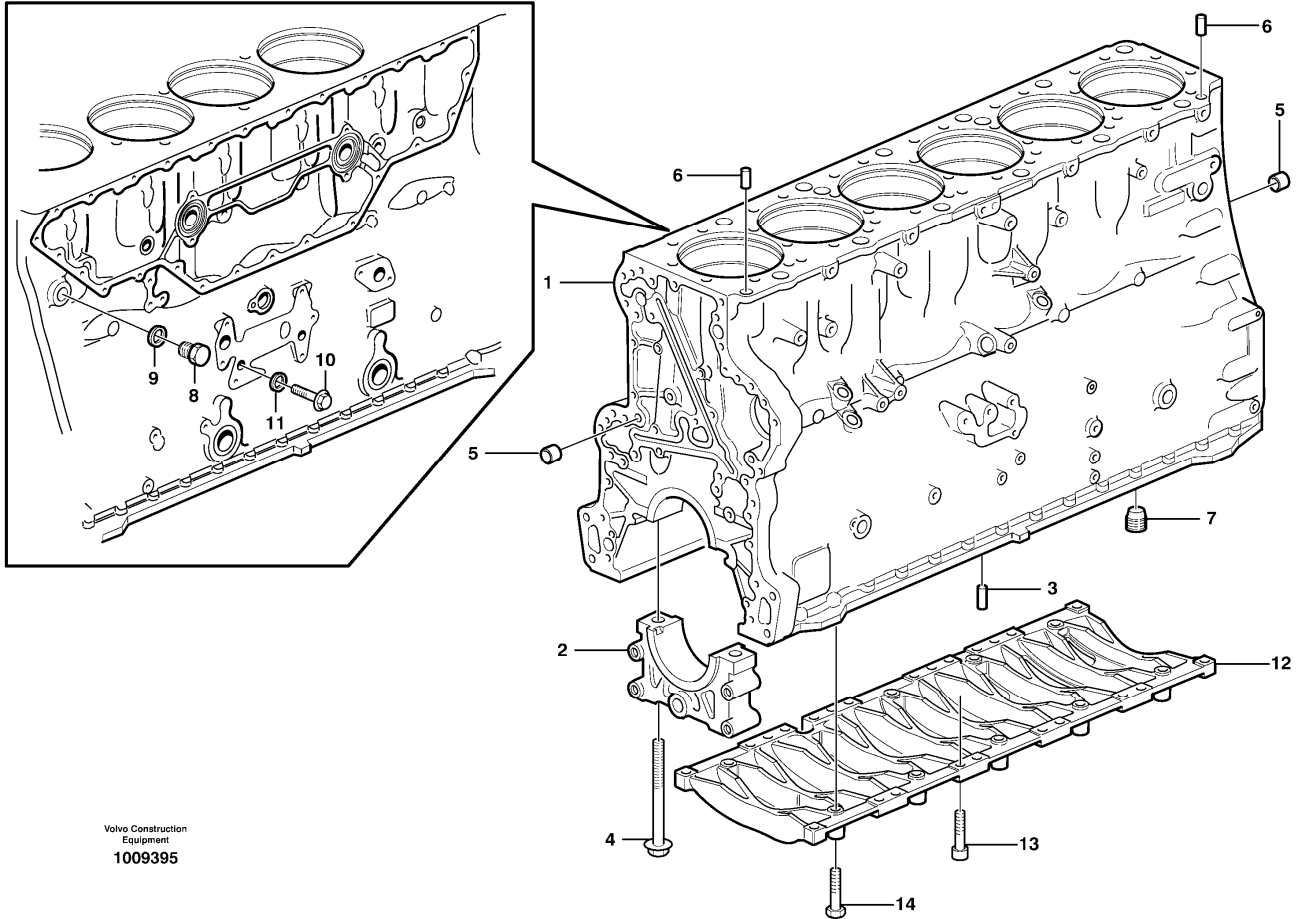
Section option	Kit	Option description
VOE8280231		Engine with Epa label EMISSION CERTIFICATED FROM EU&EPA

Q1-Q5	Option	Option description
Q1 8280231	VOE8280231	Engine with Epa label EMISSION CERTIFICATED FROM EU&EPA

Pos	Part	Q1	Q2	Q3	Q4	Q5	PS	Kit	Description	Option(s)	Remark
1	VOE20560799	1					SS		Cylinder head		
2	VOE3165130	1							•Bearing housing		
3	VOE3165133	6							•Bearing housing		
4	VOE950542	7							••Pin		
5	VOE950562	14							••Pin		
	VOE1546484	7							••Sleeve		
6	VOE8170626	7							•Stud		
7	VOE1547889	14							•Screw		

8	VOE1547888	1							•Screw		
9	VOE1677283	6							•Screw		
10	VOE20817648	24							•Valve guide		(VOE20460636)
11	VOE20459329	12							•Valve seat		STD, INLET
12	VOE20412798	12							•Valve seat		STD, EXHAUST
13	VOE3183368	6							•Sleeve		
14	VOE20536487	6							•O-ring		
15	VOE13968062	2							•Plug		
16	VOE422426	1							•Pin		
17	VOE3155171	1							•Plug		
18	VOE949659	1							••O-ring		
19	VOE1544710	1							•Sealing ring		
20	VOE859171	24							•Valve seal		
21	VOE3183210	24							•Valve spring		ENG - 647540
21	VOE21310068	24							•Valve spring		ENG 647541 -
22	VOE3183211	12							•Valve spring		
23	VOE1546487	24							•Valve spring washer		
24	VOE1677875	48							•Valve sleeve		
25	VOE8170553	1							•Cap plug		
26	VOE1547419	38							Screw		
27	VOE8148863	9							Stud		
28	VOE11030431	1					OP		Bracket		
29	VOE946329	4							Flange screw		
30	VOE3099100	1							Gasket kit		
31	VOE968060	1							Plug		
32	VOE20459326	12							Inlet valve		
33	VOE20441486	12							Exhaust Valve		
34	VOE990830	2							Plug		

Date: 2014/1/14	Image id: 1009395	Catalogue: 20101	Model: EC360C L
Brand: Volvo	Serial: 110001-115000, 140001-145000	Group/Section: 212/100	Title: Cylinder block

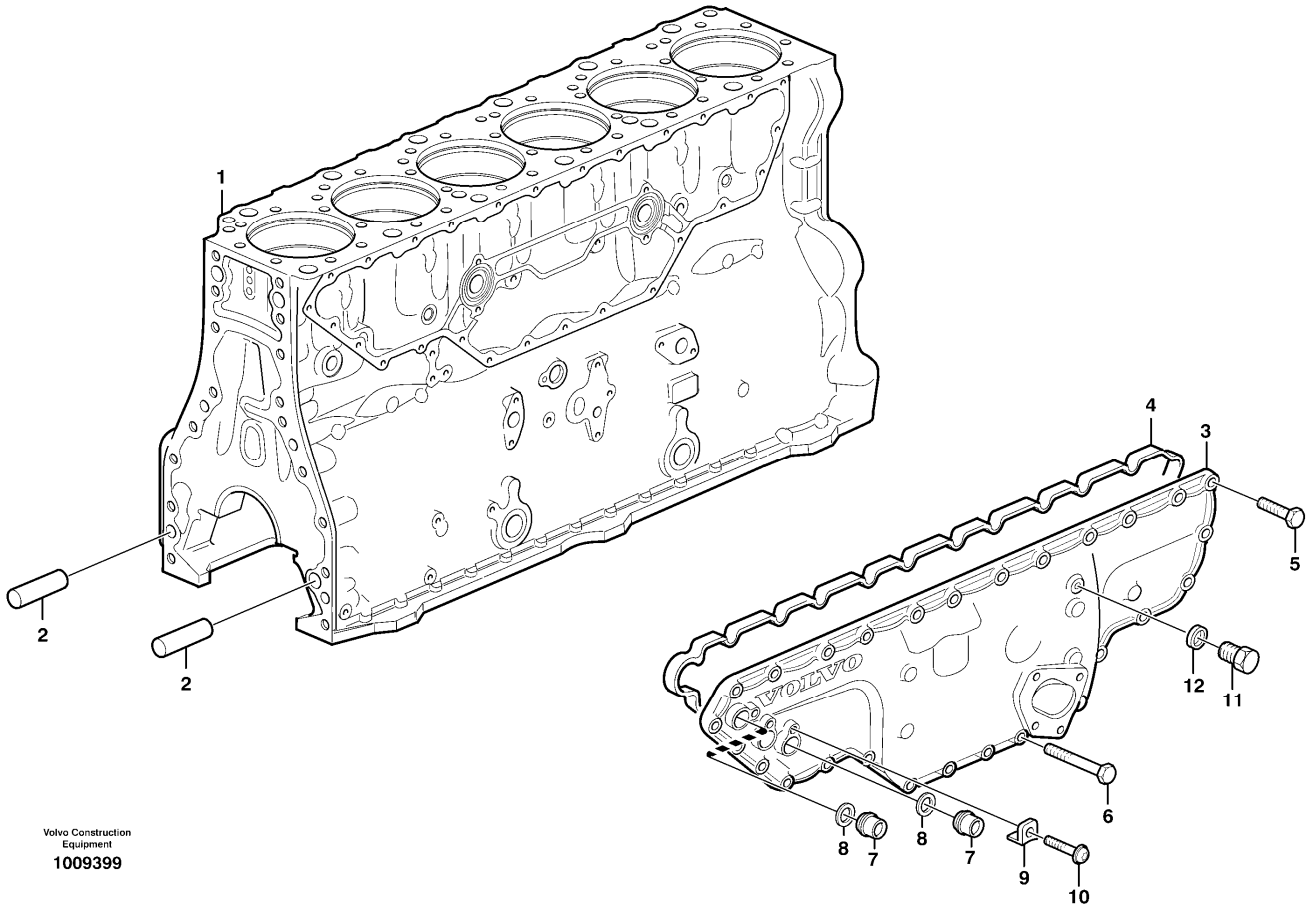


Section option	Kit	Option description
VOE8280231		Engine with Epa label EMISSION CERTIFICATED FROM EU&EPA

Q1-Q5	Option	Option description	
Q1 8280231	VOE8280231	Engine with Epa label EMISSION CERTIFICATED FROM EU&EPA	

Pos	Part	Q1	Q2	Q3	Q4	Q5	PS	Kit	Description	Option(s)	Remark
	VOE8130120	1					SS		Cylinder block		
1	VOE8130121	1					NS		•Cylinder Block		
2		7					NS		•Cap		
3	VOE422426	1							•Pin		
4	VOE1547040	14							•Screw		
5	VOE981735	3							Cap plug		
6	VOE8170389	2							Guide sleeve		
7	VOE8170666	1							Plug		

Date: 2014/1/14	Image id: 1009399	Catalogue: 20101	Model: EC360C L
Brand: Volvo	Serial: 110001-115000, 140001-145000	Group/Section: 212/200	Title: Cylinder block

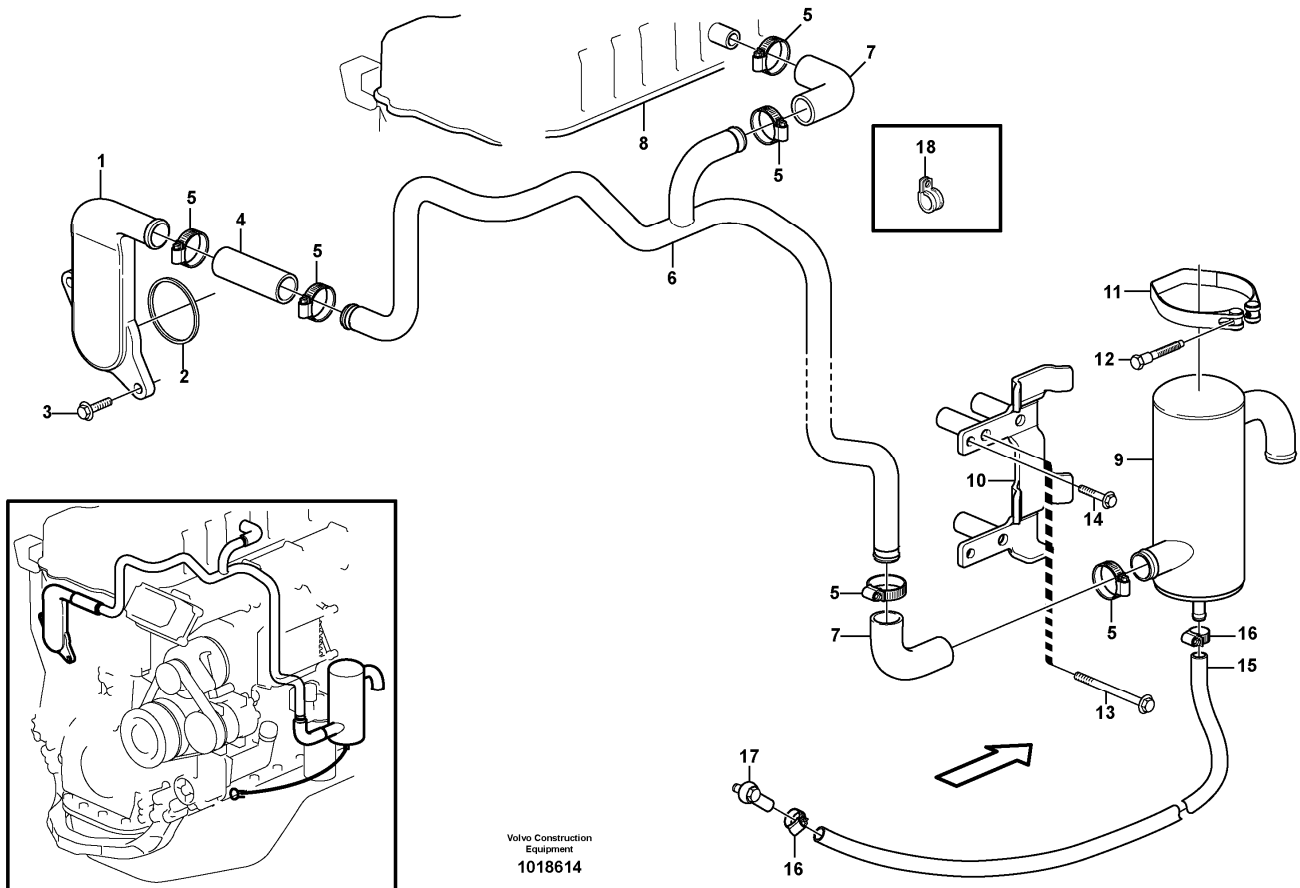


Section option	Kit	Option description
VOE8280231		Engine with Epa label EMISSION CERTIFICATED FROM EU&EPA

Q1-Q5	Option	Option description	
Q1 8280231	VOE8280231	Engine with Epa label EMISSION CERTIFICATED FROM EU&EPA	

Pos	Part	Q1	Q2	Q3	Q4	Q5	PS	Kit	Description	Option(s)	Remark
1		1							Cylinder block		See ref 212/100
2	VOE8170389	2							Guide sleeve		
3	VOE20538056	1							Casing		
4	VOE20712545	1							Seal		
5	VOE13945444	20							Screw		
6	VOE13965180	7							Screw		
7	VOE1546528	2							Plug		
8	VOE1547252	2							Sealing ring		

Date: 2014/1/14	Image id: 1018614	Catalogue: 20101	Model: EC360C L
Brand: Volvo	Serial: 110001-115000, 140001-145000	Group/Section: 212/300	Title: Crankcase ventilation



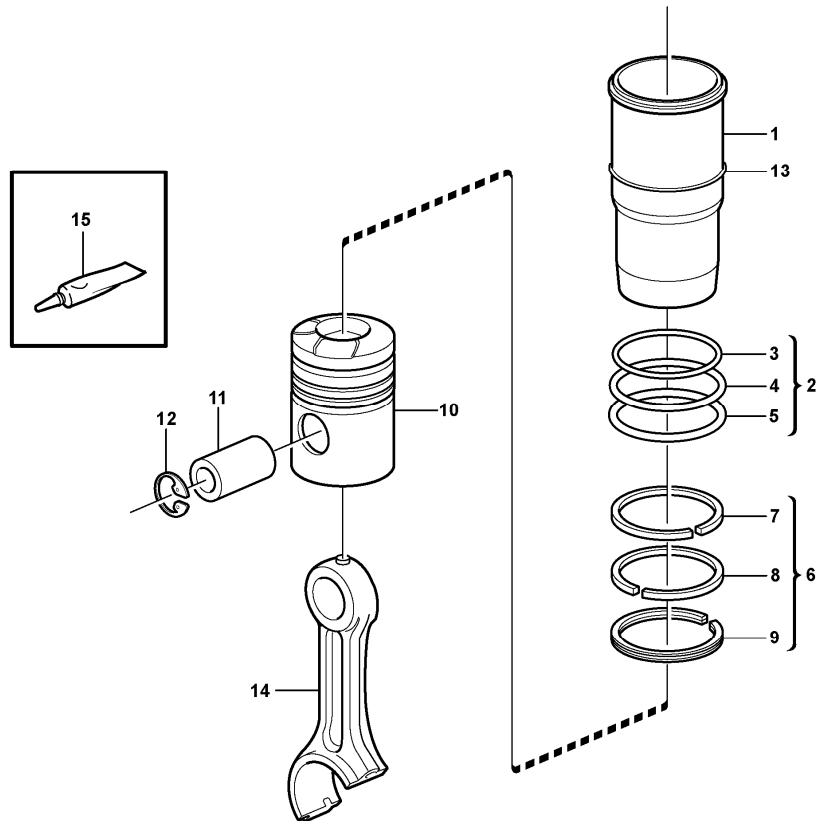
Section option	Kit	Option description
VOE8280231		Engine with Epa label EMISSION CERTIFICATED FROM EU&EPA

Q1-Q5	Option	Option description	
Q1 8280231	VOE8280231	Engine with Epa label EMISSION CERTIFICATED FROM EU&EPA	

Pos	Part	Q1	Q2	Q3	Q4	Q5	PS	Kit	Description	Option(s)	Remark
1	VOE11127358	1							Flange pipe		
2	VOE3165097	1							Sealing ring		
3	VOE13945444	2							Screw		
4	VOE11128750	1							Hose		L = 100 MM
5	VOE943476	6							Hose clamp		ENG - 654902
5	VOE993963	6							Hose clamp		ENG 654903 -
6	VOE11423384	1							Pipe		
7	VOE11128756	2							Hose		

8		1							Valve Cover		See ref 214/100
9	VOE11033878	1							Oil trap		
10	VOE11423146	1							Attachment		
11	VOE420914	1							Tensioning Band		
12	VOE1545257	1							Screw		
13	VOE13965188	3							Screw		
14	VOE946440	2							Flange screw		
15	VOE983342	REQ							Hose		L = 520 MM
16	VOE943471	2							Hose clamp		ENG - 654902
16	VOE993960	2							Hose clamp		ENG 654903 -
17	VOE11423224	1							Tube		See ref 217/100
18	VOE13949997	2							Clamp		

Date: 2014/1/14	Image id: 1035153	Catalogue: 20101	Model: EC360C L
Brand: Volvo	Serial: 110001-115000, 140001-145000	Group/Section: 213/100	Title: Cylinder liner and piston



Volvo Construction
Equipment
1035153

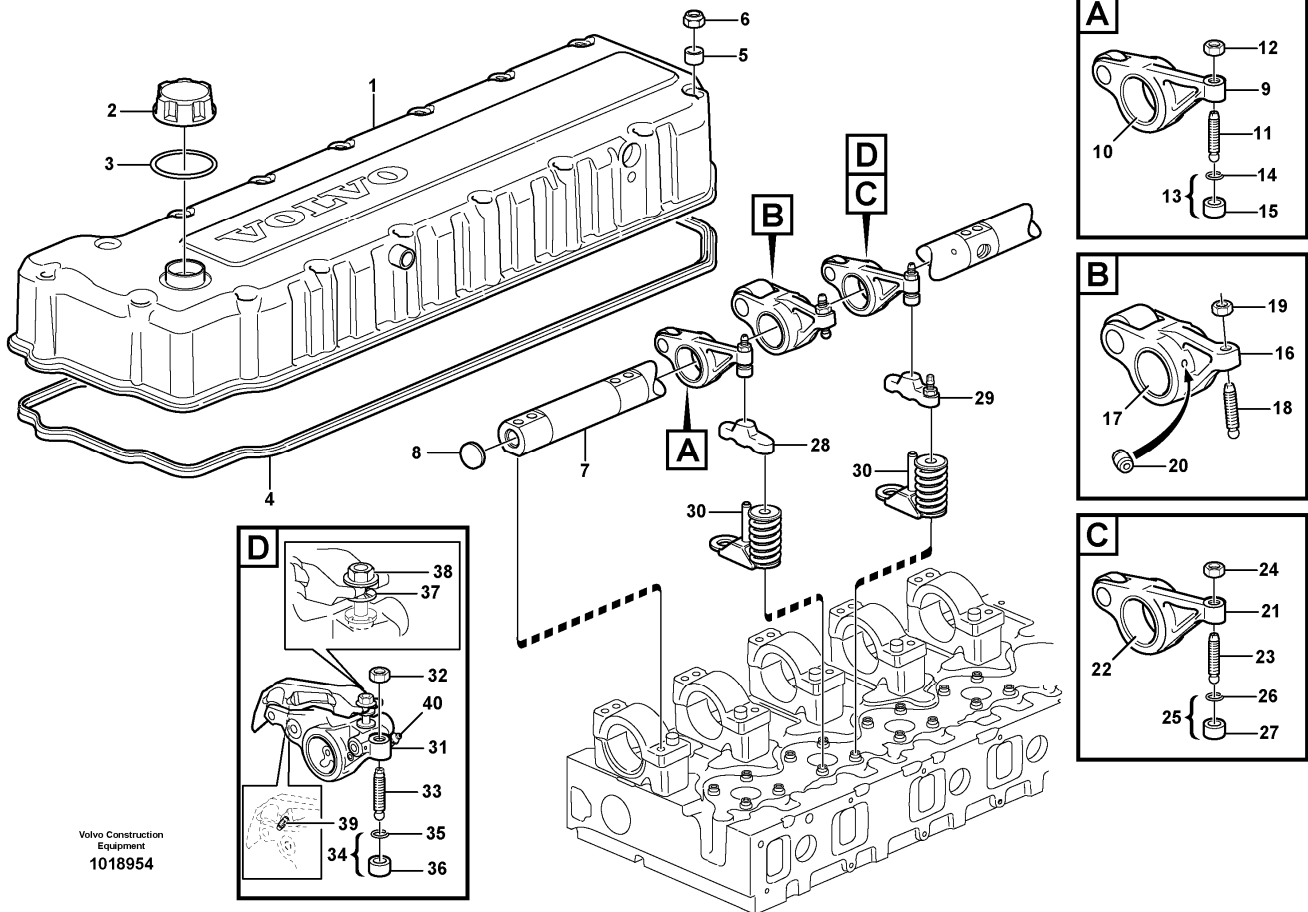
Section option	Kit	Option description
VOE8280231		Engine with Epa label EMISSION CERTIFICATED FROM EU&EPA

Q1-Q5	Option	Option description	
Q1 8280231	VOE8280231	Engine with Epa label EMISSION CERTIFICATED FROM EU&EPA	

Pos	Part	Q1	Q2	Q3	Q4	Q5	PS	Kit	Description	Option(s)	Remark
	VOE20820358	6							Cylinder		
1	VOE20498544	6					NS		•Cylinder liner		
2	VOE270950	6							•Sealing kit		
3		6					NS		••Seal Ring		
4	VOE470190	12					NS		••Sealing ring		
5		6					NS		••Sealing ring		
6	VOE20820363	6							•Piston Ring Kit		
7		6					NS		••Compression ring		

8		6					NS		••Compression ring		LOW
9		6					NS		••Oil scraper ring		
10		6					NS		•Piston		
11	VOE3155115	6							•Gudgeon pin		
12	VOE914530	12							•Retaining ring		
13	VOE1677591	REQ							Shim		THICK = 0,2 MM
13	VOE1677592	REQ							Shim		THICK = 0,3 MM
13	VOE1677593	REQ							Shim		THICK = 0,5 MM
14		6							Connecting rod		See ref 216/100
15		REQ					NS		Sealing Kit		

Date: 2014/1/14	Image id: 1018954	Catalogue: 20101	Model: EC360C L
Brand: Volvo	Serial: 110001-115000, 140001-145000	Group/Section: 214/100	Title: Valve mechanism



Section option	Kit	Option description
VOE8188768		Engine D12DEBE3

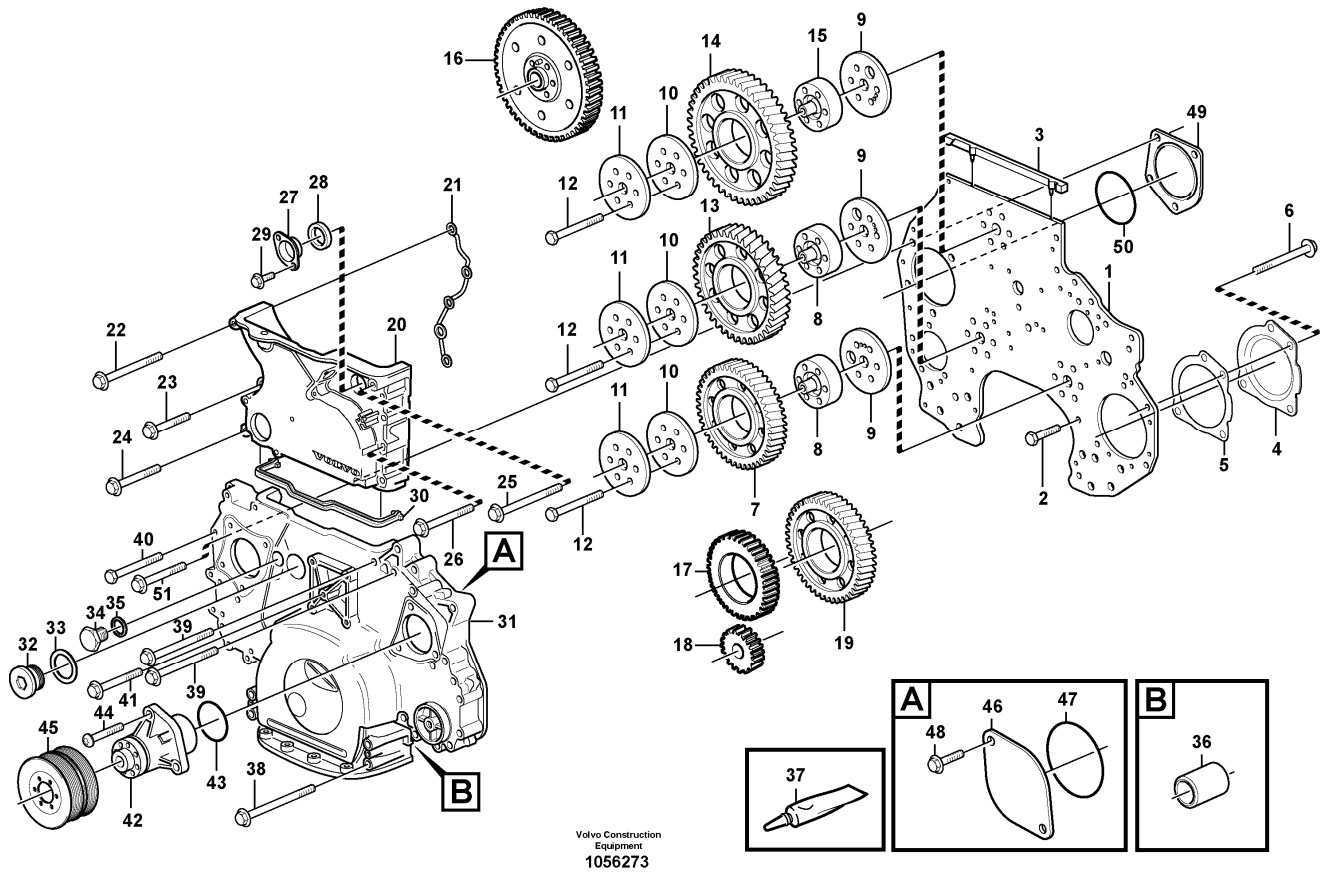
Q1-Q5	Option	Option description
Q1 8188768	VOE8188768	Engine D12DEBE3

Pos	Part	Q1	Q2	Q3	Q4	Q5	PS	Kit	Description	Option(s)	Remark
	VOE21052622	1							Valve cover		(VOE20536911)
1	VOE20545681	1					NS		•Valve Cover		
2	VOE20807510	1							•Oil filler cap		
3		1					NS		••Gasket		
4	VOE21070576	1							Sealing strip		(VOE8170116)
5	VOE3964604	16							Bushing		
6	VOE8148488	16							Lock nut		
	VOE8170158	1							Rocker arm shaft		

7	VOE8170159	1					OP		•Rocker arm shaft		
8	VOE980176	2							•Expansion plug		
	VOE20738717	6							Rocker Arm		INLET
	VOE1547965	6					OP		•Rocker arm		
9	VOE1546690	6					NS		••Rocker arm		
10	VOE1546681	6							••Bushing		
11	VOE1546458	6							•Ball stud		
12	VOE13946911	6							•Nut		
13	VOE20441753	6							•Ball socket		
14	VOE944364	6							••O-ring		
15	VOE20441755	6					OP		••Ball socket		
	VOE20738748	6							Rocker Arm		INJECTOR
16	VOE20381704	6					OP		•Rocker arm		
17	VOE3155127	6					SS		•Bushing		
	VOE1546685	6							•Bushing		See footnote 2624)
18	VOE1546775	6							•Ball stud		
19	VOE1677396	6							•Hexagon nut		
20	VOE3964817	12							•Jet		
	VOE21024789	6							Rocker arm	VOE818875 8	(VOE20738736) EXHAUST
	VOE1547964	6					NS		•Rocker Arm		
21	VOE1546688	6					NS		••Rocker arm		
22	VOE1546681	6							••Bushing		
23	VOE1546458	6							•Ball stud		
24	VOE13946911	6							•Nut		
25	VOE20441753	6							•Ball socket		
26	VOE944364	6							••O-ring		
27	VOE20441755	6					OP		••Ball socket		
28	VOE3183207	6							Valve cap		
29	VOE3183207	6							Valve cap		
30		6							Guide pin		See ref 211/100
31	VOE20941606	6					SS		Rocker arm	VOE818876 8	EXHAUST
32	VOE13946911	6							•Nut		
33	VOE1546458	6							•Ball stud		
34	VOE20441753	6							•Ball socket		
35	VOE944364	6							••O-ring		
36		6					NS		••Ball Socket		
37	VOE20524954	6					OP		•Sleeve		
38	VOE20524958	6							•Nut		
39	VOE3964817	6							•Jet		
40	VOE20916960	6							•Nipple		

2624) Not Shown

Date: 2014/1/14	Image id: 1056273	Catalogue: 20101	Model: EC360C L
Brand: Volvo	Serial: 110001-115000, 140001-145000	Group/Section: 215/100	Title: Timing gear casing and gears ENG - 645018



Section option	Kit	Option description
VOE8188756		Engine D12D TIER 3
VOE8188757		Engine D12D-P
VOE8188768		Engine D12DEBE3
VOE8280231		Engine with Epa label EMISSION CERTIFICATED FROM EU&EPA

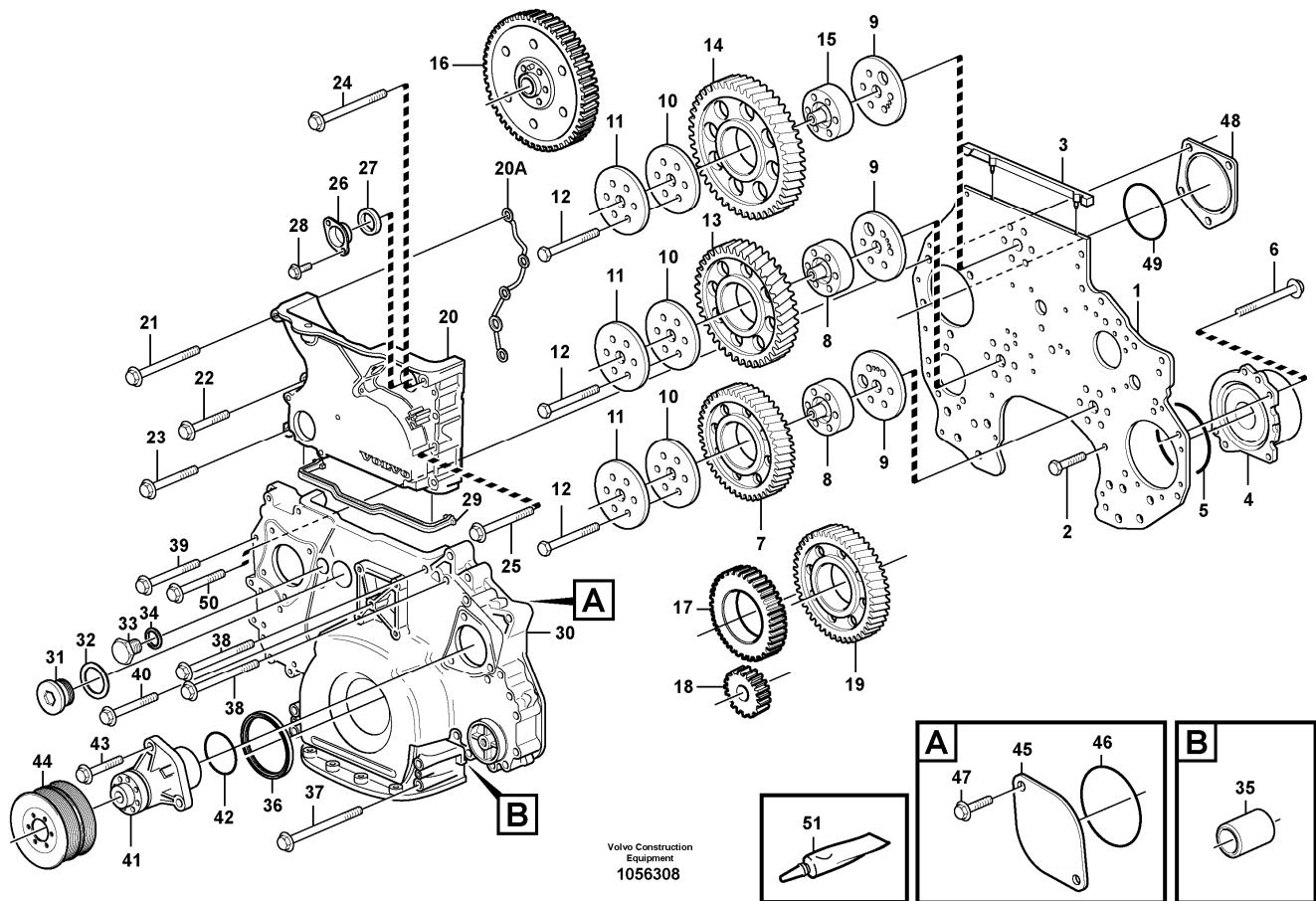
Q1-Q5	Option	Option description
Q1 Q280231	VOE8280231	Engine with Epa label EMISSION CERTIFICATED FROM EU&EPA

Pos	Part	Q1	Q2	Q3	Q4	Q5	PS	Kit	Description	Option(s)	Remark
1	VOE8170561	1							Xmsn Plate		
2	VOE946470	17							Flange screw		
3	VOE20489341	1							Gasket		
4	VOE3828662	1							Cover		
5	VOE13949736	1							O-ring		

6	VOE965197	4							Flange screw		(VOE13965197)
7	VOE8170193	1							Idler gear		
8	VOE8170219	2							Hub		
9	VOE8170220	3							Thrust washer		
10	VOE3184865	3							Thrust washer		
11	VOE3184868	3							Bearing shield		
12	VOE1547886	18							Screw		
13	VOE8170195	1							Idler gear		
14	VOE8170197	1							Idler gear		
15	VOE8170199	1							Hub		
16		1							Gear		See ref 215/200
17		1							Idler gear		See ref 221/200
18		1							Gear		See ref 221/200
19		1					NS		Gear		See ref 262/100
20	VOE20713791	1							Tmg Gear Cover		
21	VOE3830184	1							Sealing		
22	VOE968553	1							Flange screw		L = 120 MM
23	VOE13965182	3							Screw		L = 80 MM
24	VOE13965183	1							Flange screw		L = 90 MM
25	VOE13965190	1							Screw		L = 100 MM
26	VOE13965223	1							Screw		L = 75 MM
	VOE13947790	2							Screw		L = 80 MM
27	VOE3964803	1							Plug		
28	VOE20555696	1							Sealing ring		
29	VOE946440	2							Flange screw		
30	VOE20714247	1							Seg moulding		
	VOE3835799	1							Tmg Gear Cover		
31	VOE3835798	1					NS		•Tmg gear cover		
32	VOE467367	1							•Plug		
33	VOE1556907	1							•Gasket		
34	VOE13960632	1							•Plug		
35	VOE948884	1							•Plane gasket		
36	VOE1547940	2							•Pin		
37	VOE11713514	REQ							Sealant		(VOE1161231)304 ML
	VOE1161277	REQ							Sealant		20 GRAM
38	VOE973096	4							Flange screw		L = 130 MM
39	VOE13947790	2							Screw		L = 80 MM
40	VOE955302	11							Hexagon screw		L = 60 MM
	VOE13965181	1							Screw		L = 70 MM
41	VOE13965183	1							Flange screw		L = 90 MM
42		1							Driving Device		See ref 215/175
43	VOE967344	1							O-ring		
44	VOE13946752	1							Screw		L = 35 MM
	VOE13965190	1							Screw		L = 100 MM
45		1							Pulley		See ref 263/100
46	VOE3828400	1							Cover		
47	VOE967344	1							O-ring		

48	VOE946441	2							Flange screw		
49	VOE1556208	1							Cover		
50	VOE13948888	1							O-ring		
51	VOE973967	4							Flange screw		

Date: 2014/1/14	Image id: 1056308	Catalogue: 20101	Model: EC360C L
Brand: Volvo	Serial: 110001-115000, 140001-145000	Group/Section: 215/150	Title: Timing gear casing and gears ENG 645019 -



Section option	Kit	Option description
VOE8188757		Engine D12D-P
VOE8280231		Engine with Epa label EMISSION CERTIFICATED FROM EU&EPA

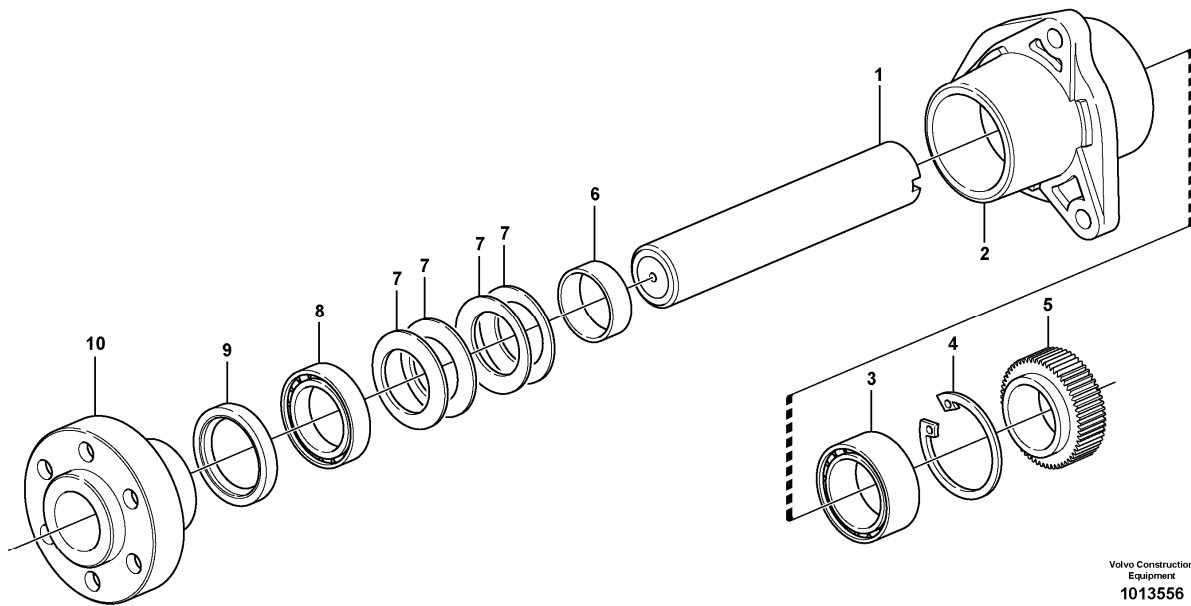
Q1-Q5	Option	Option description
Q1 ENG - 656061		
Q2 ENG 656062 -		

Pos	Part	Q1	Q2	Q3	Q4	Q5	PS	Kit	Description	Option(s)	Remark
1	VOE8170561	1	1						Xmsn Plate		
2	VOE946470	17	17						Flange screw		
3	VOE20489341	1	1						Gasket		
4	VOE11128611	1	1						Bearing housing		
5	VOE13949736	1	1						O-ring		
6	VOE965197	4	4						Flange screw		(VOE13965197)

7	VOE8170193	1	1						Idler gear		
8	VOE8170219	2	2						Hub		
9	VOE8170220	3	3						Thrust washer		
10	VOE3184865	3	3						Thrust washer		
11	VOE3184868	3	3						Bearing shield		
12	VOE1547886	18	18						Screw		
13	VOE8170195	1	1						Idler gear		
14	VOE8170197	1	1						Idler gear		
15	VOE8170199	1	1						Hub		
16		1	1						Gear		
17		1	1						Idler gear		
18		1	1						Gear		
19		1	1				NS		Gear		
20	VOE20713791	1	1						Tmg Gear Cover		
20A	VOE3830184	1	1						Sealing		
21	VOE968553	1	1						Flange screw		L = 115 MM
22	VOE13965182	3	3						Screw		L = 80 MM
23	VOE13965183	1	1						Flange screw		L = 90 MM
24	VOE13965190	1	1						Screw		L = 100 MM
25	VOE13965223	1	1						Screw		L = 75 MM
25	VOE13947790	2	2						Screw		L = 80 MM
26	VOE3964803	1	1						Plug		
27	VOE20555696	1	1						Sealing ring		
28	VOE946440	2	2						Flange screw		
29	VOE20714247	1	1						Seg moulding		
30	VOE21122283	1					SS		Timing gear cover		
30	VOE21424752		1						Timing gear cover		
30	VOE21206533	1	1						•Timing gear cover		
30	VOE3595444	1	1				NS		••Tmg gear cover		
31	VOE467367	1	1						••Plug		
32	VOE1556907	1	1						••Gasket		
33	VOE13960632	1	1						••Plug		
34	VOE948884	1	1						••Plane gasket		
35	VOE1547940	2	2						••Pin		
36	VOE85108423	1							•Crankshaft seal		
36	VOE21081526		1				NS		•Crankshaft Seal		
37	VOE973096	4	4						Flange screw		L = 130 MM
38	VOE13947790	2	2						Screw		L = 80 MM
39	VOE955302	11	11						Hexagon screw		L = 60 MM
39	VOE13965181	1	1						Screw		L = 70 MM
40	VOE13965183	1	1						Flange screw		L = 90 MM
41		1	1						Driving Device		See ref 215/175
42	VOE967344	1	1						O-ring		
43	VOE13946752	1	1						Screw		L = 35 MM
43	VOE13965190	1	1						Screw		L = 100 MM
44		1	1						Pulley		See ref 263/100
45	VOE3828400	1	1						Cover		

46	VOE967344	1	1						O-ring		
47	VOE946441	2	2						Flange screw		
48	VOE1556208	1	1						Cover		
49	VOE13948888	1	1						O-ring		
50	VOE973967	4	4						Flange screw		
51	VOE11713514	REQ	REQ						Sealant		(VOE1161231)
51	VOE1161277	REQ	REQ						Sealant		

Date: 2014/1/14	Image id: 1013556	Catalogue: 20101	Model: EC360C L
Brand: Volvo	Serial: 110001-115000, 140001-145000	Group/Section: 215/175	Title: Driving device



Volvo Construction
Equipment
1013556

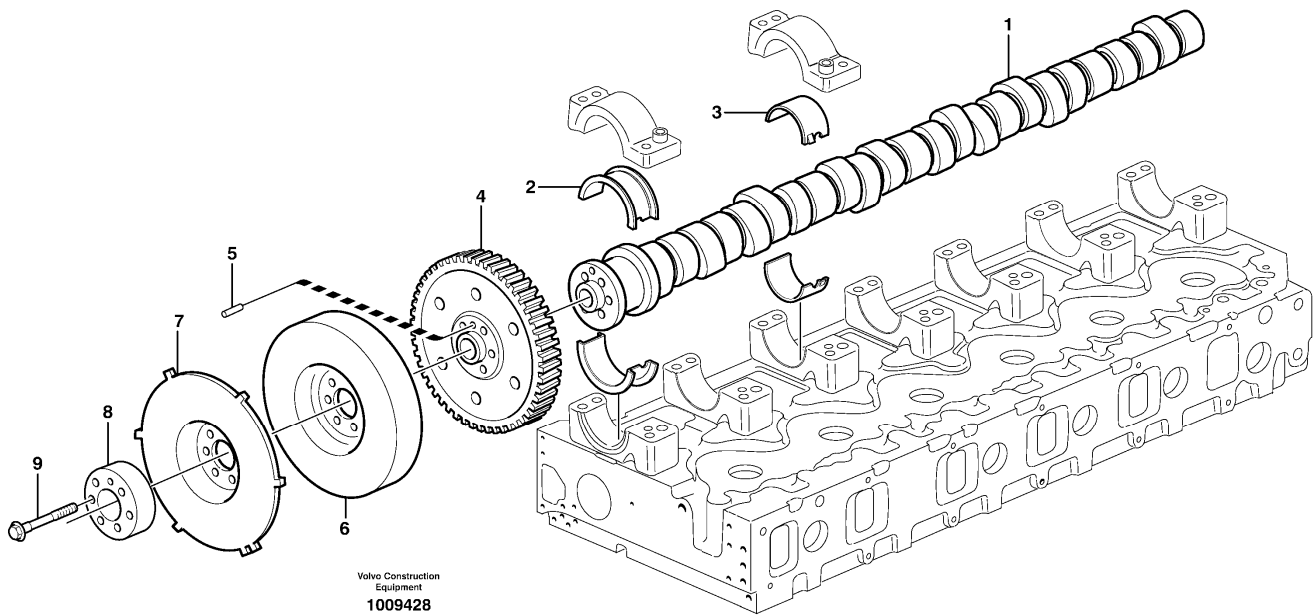
Section option	Kit	Option description
VOE8188756		Engine D12D TIER 3
VOE8188757		Engine D12D-P
VOE8188768		Engine D12DEBE3
VOE8280231		Engine with Epa label EMISSION CERTIFICATED FROM EU&EPA

Q1-Q5	Option	Option description
Q1 8280231	VOE8280231	Engine with Epa label EMISSION CERTIFICATED FROM EU&EPA

Pos	Part	Q1	Q2	Q3	Q4	Q5	PS	Kit	Description	Option(s)	Remark
	VOE8193986	1							Driving device		
1	VOE3184821	1					NS		•Shaft		
2	VOE8170667	1					OP		•Bearing housing		
3	VOE471499	1							•Ball bearing		
4	VOE914532	1							•Retaining ring		

5	VOE8170240	1					OP		•Gear		
6	VOE8193994	1							•Spacer sleeve		
7	VOE1677558	4					OP		•Disc spring		
8	VOE7011013	1							•Bearing		
9	VOE1546480	1							•Sealing ring		
10	VOE1547846	1					OP		•Hub		

Date: 2014/1/14	Image id: 1009428	Catalogue: 20101	Model: EC360C L
Brand: Volvo	Serial: 110001-115000, 140001-145000	Group/Section: 215/200	Title: Camshaft

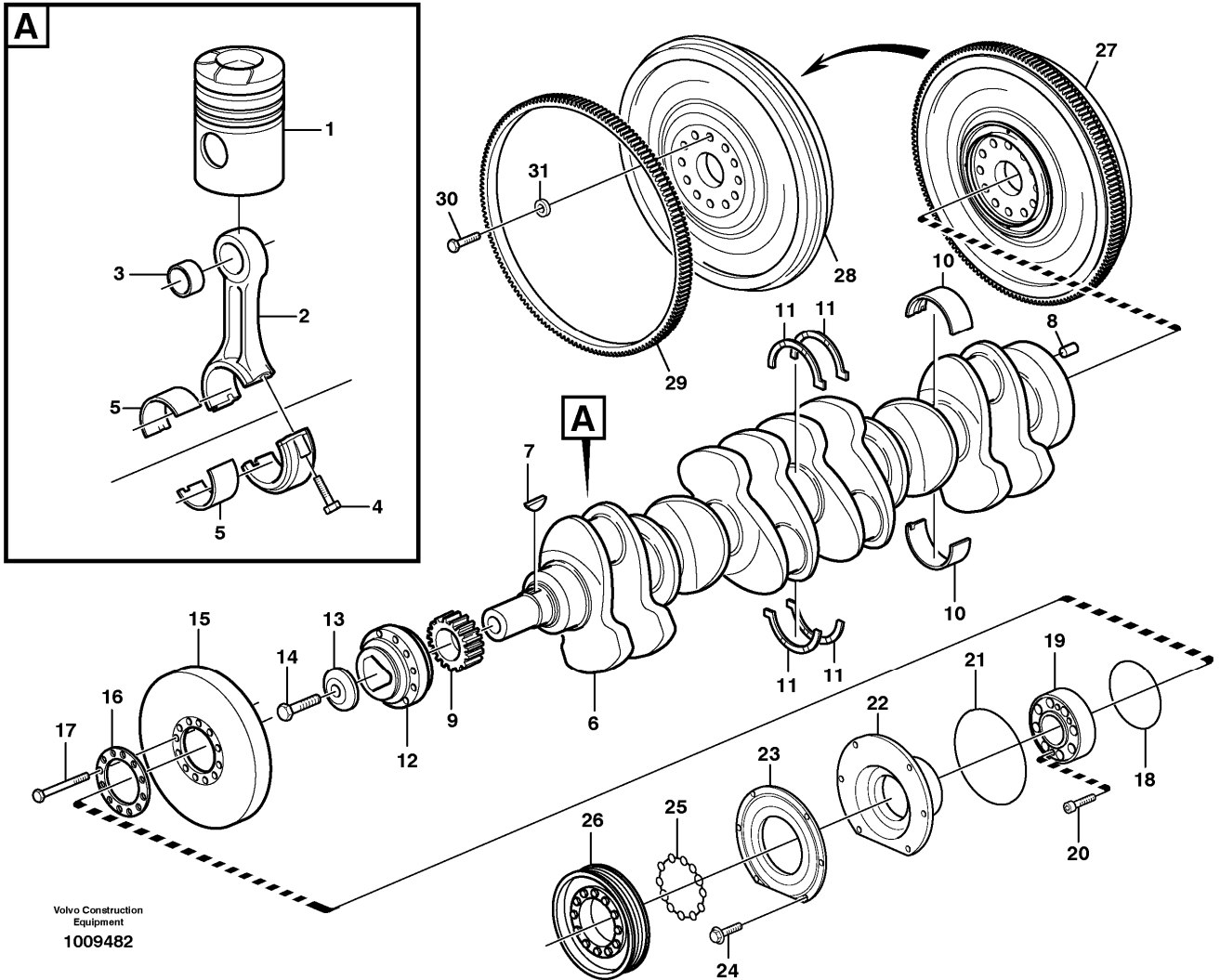


Section option	Kit	Option description
VOE8188756		Engine D12D TIER 3
VOE8188757		Engine D12D-P
VOE8188768		Engine D12DEBE3
VOE8280231		Engine with Epa label EMISSION CERTIFICATED FROM EU&EPA

Q1-Q5	Option	Option description	
Q1 8280231	VOE8280231	Engine with Epa label EMISSION CERTIFICATED FROM EU&EPA	

Pos	Part	Q1	Q2	Q3	Q4	Q5	PS	Kit	Description	Option(s)	Remark
1	VOE20576909	1							Camshaft		
2	VOE20503200	1							Bearing shell kit		
3	VOE276630	6							Bearing shell kit		STD
	VOE1677212	12							•Bearing shell		STD
	VOE1677551	12							Bearing shell		0,25 US
4	VOE20450344	1							Gear		
5	VOE950572	1							•Grooving tool		
6	VOE8170954	1							Vibration damper		
7	VOE3155166	1							Tooth Wheel		
8	VOE20440991	1							Spacer		
9	VOE20441079	6							Flange screw		

Date: 2014/1/14	Image id: 1009482	Catalogue: 20101	Model: EC360C L
Brand: Volvo	Serial: 110001-115000, 140001-145000	Group/Section: 216/100	Title: Crankshaft and related parts



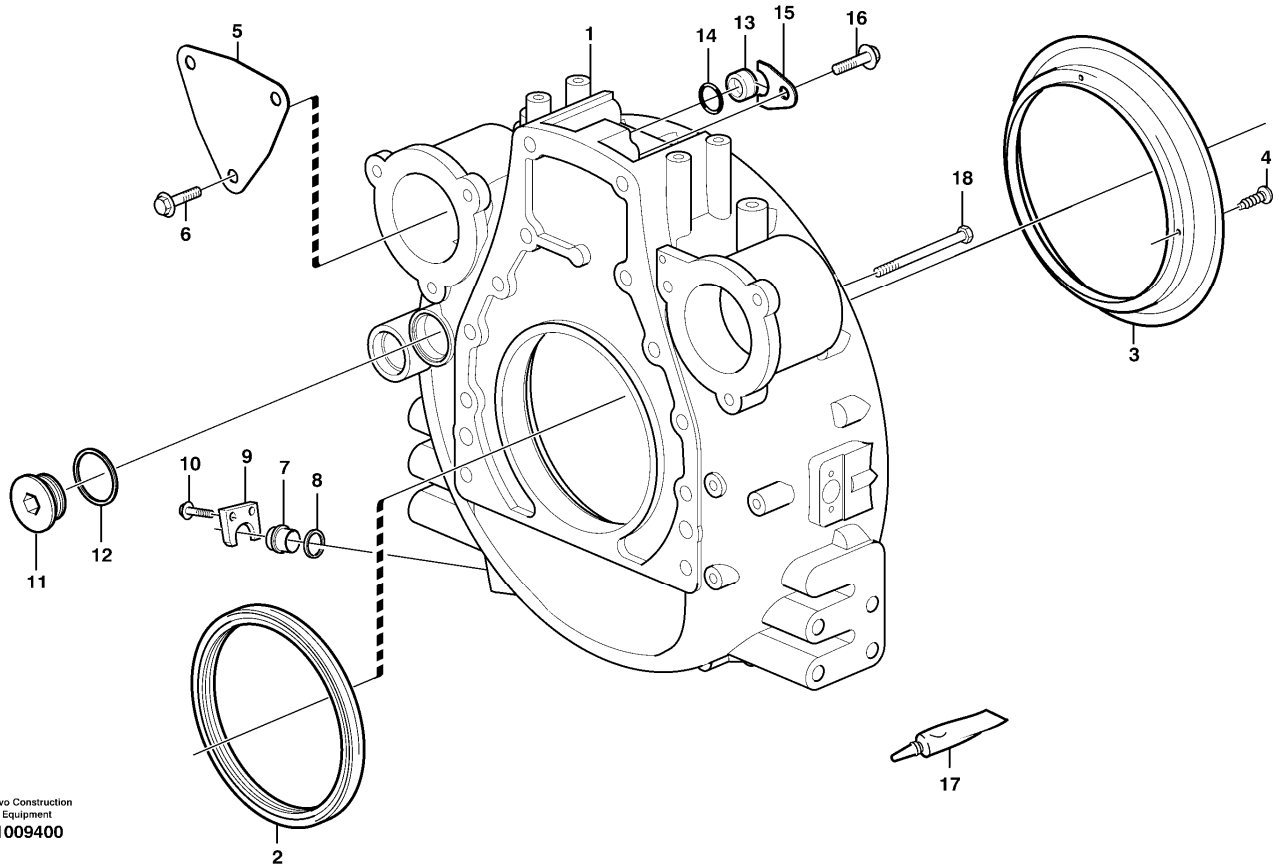
Section option	Kit	Option description
VOE8188757		Engine D12D-P
VOE8280231		Engine with Epa label EMISSION CERTIFICATED FROM EU&EPA

Q1-Q5	Option	Option description
Q1 8280231	VOE8280231	Engine with Epa label EMISSION CERTIFICATED FROM EU&EPA

Pos	Part	Q1	Q2	Q3	Q4	Q5	PS	Kit	Description	Option(s)	Remark
1		6							Piston		See ref 213/100
	VOE20412200	6							Connecting rod		
2	VOE20412201	6					NS		•Connecting rod		

3	VOE20381185	6							•Bushing		
4	VOE1543035	12							•Screw		
5	VOE276134	REQ							Big End Brg Kit		STD
	VOE276135	REQ							Big End Brg Kit		0,25 MM U SZ
	VOE276136	REQ							Big End Brg Kit		0,50 MM U SZ
	VOE276137	REQ							Big End Brg Kit		0,75 MM U SZ
	VOE276334	REQ							Big End Brg Kit		1,00 MM U SZ
	VOE276349	REQ							Big End Brg Kit		1,25 MM U SZ
	VOE20533089	1							Crankshaft		
	VOE20533073	1					NS		•Crankshaft		
6	VOE20533089	1							••Crankshaft		(VOE20533088)
7	VOE422253	1							••Key		
8	VOE950644	1							••Pin		
9	VOE8170192	1							•Gear		
10	VOE20530916	7							Mn Bearing Kit		STD
	VOE276616	7							Main bearing kit		0,25 MM U SZ
	VOE276617	7							Main bearing kit		0,50 MM U SZ
	VOE276618	7							Main bearing kit		0,75 MM U SZ
	VOE276619	7							Main bearing kit		1,00 MM U SZ
	VOE20578628	7							Main Bearing		(VOE276620)1,25 MM U SZ
11	VOE3093651	1							Thrust washer kit		STD
	VOE3093652	1							Thrust washer kit		0,1 MM O SZ
	VOE3093653	1							Thrust washer kit		0,2 MM O SZ
12	VOE11707317	1							Hub		(VOE1549407)
13	VOE422124	1							Washer		
14	VOE1543316	1							Screw		
15	VOE8193930	1							Vibration damper		
16	VOE8193962	1							Washer		
17	VOE13970887	10							Hexagon screw		
18	VOE13945512	1							O-ring		
19	VOE3826656	1							Companion flange		ENG - 631188
19	VOE21243814	1							Companion flange		(VOE3595228)ENG 631189 -
20	VOE13974111	2							Allen Hd Screw		ENG - 631188
20	VOE3595265	2							Screw		ENG 631189 -
21	VOE3832906	1							O-ring		
22	VOE3832863	1							Sealing ring		ENG - 631188
23	VOE3827504	1							Dust cover		ENG - 631188
23	VOE40005678	1					SS		Sealing ring		ENG 631189 -
24	VOE946440	6							Flange screw		ENG - 631188
24	VOE946173	6							Flange screw		ENG 631189 -
25	VOE3827530	1							Sealing ring		
26	VOE11127304	1							Pulley		
27	VOE11127311	1							Flywheel		
28	VOE11127305	1					NS		•Flywheel		
29	VOE8193939	1							•Gear ring		

Date: 2014/1/14	Image id: 1009400	Catalogue: 20101	Model: EC360C L
Brand: Volvo	Serial: 110001-115000, 140001-145000	Group/Section: 216/200	Title: Flywheel housing



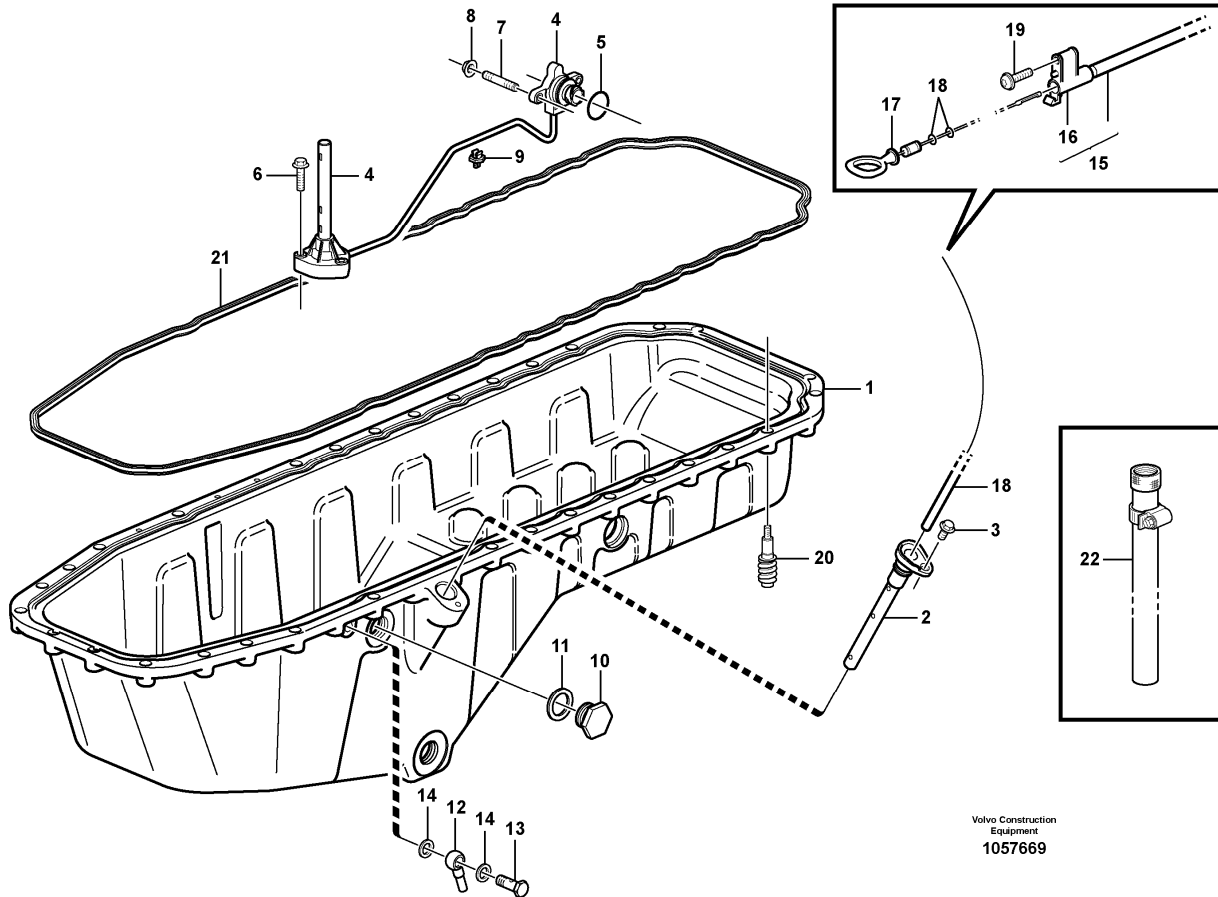
Section option	Kit	Option description
VOE8280231		Engine with Epa label EMISSION CERTIFICATED FROM EU&EPA

Q1-Q5	Option	Option description	
Q1 8280231	VOE8280231	Engine with Epa label EMISSION CERTIFICATED FROM EU&EPA	

Pos	Part	Q1	Q2	Q3	Q4	Q5	PS	Kit	Description	Option(s)	Remark
	VOE11030273	1							Flywheel housing		
1	VOE11030245	1					OP		•Flywheel housing		
2	VOE1543896	1							•Sealing ring		
3	VOE11030271	1							•Oil deflector ring		
4	VOE13905650	4							•Drive screw		
5	VOE849135	1					OP		Cover		
6	VOE946502	3							Flange screw		
7	VOE11031785	1							Plug		
8	VOE421158	1							Sealing ring		

9	VOE11031769	1							Lock washer		
10	VOE13966378	2							Flange screw		
11	VOE467367	2							Plug		ENG - 652896
11	VOE15134976	2							Plug		ENG 15134976 -
12	VOE1556907	2							Gasket		
13	VOE11127387	1							Plug		
14	VOE13949656	1							O-ring		
15	VOE11127388	1							Lock plate		
16	VOE13966378	1							Flange screw		
17	VOE1161277	REQ							Sealant		20 GRAM
	VOE11713514	REQ							Sealant		(VOE1161231)304 ML
18	VOE13966364	8							Flange screw		L = 70 MM
	VOE13966366	2							Flange screw		L = 90 MM
	VOE13966371	2							Flange screw		L = 140 MM

Date: 2014/1/14	Image id: 1057669	Catalogue: 20101	Model: EC360C L
Brand: Volvo	Serial: 110001-115000, 140001-145000	Group/Section: 217/100	Title: Oil sump ENG - 635569



Section option	Kit	Option description
VOE8188756		Engine D12D TIER 3
VOE8188757		Engine D12D-P
VOE8188768		Engine D12DEBE3
VOE8280231		Engine with Epa label EMISSION CERTIFICATED FROM EU&EPA

Q1-Q5	Option	Option description	
Q1 ENG - 633285			
Q2 ENG 633286 -			

Pos	Part	Q1	Q2	Q3	Q4	Q5	PS	Kit	Description	Option(s)	Remark
	VOE11423477	1							Oil pan		
	VOE15032722		1						Oil sump		
1	VOE11423475	1					OP		•Oil pan		
1	VOE15032514		1				NS		•Oil Pan		



Suggest:

For more complete manuals. Please go to the home page.

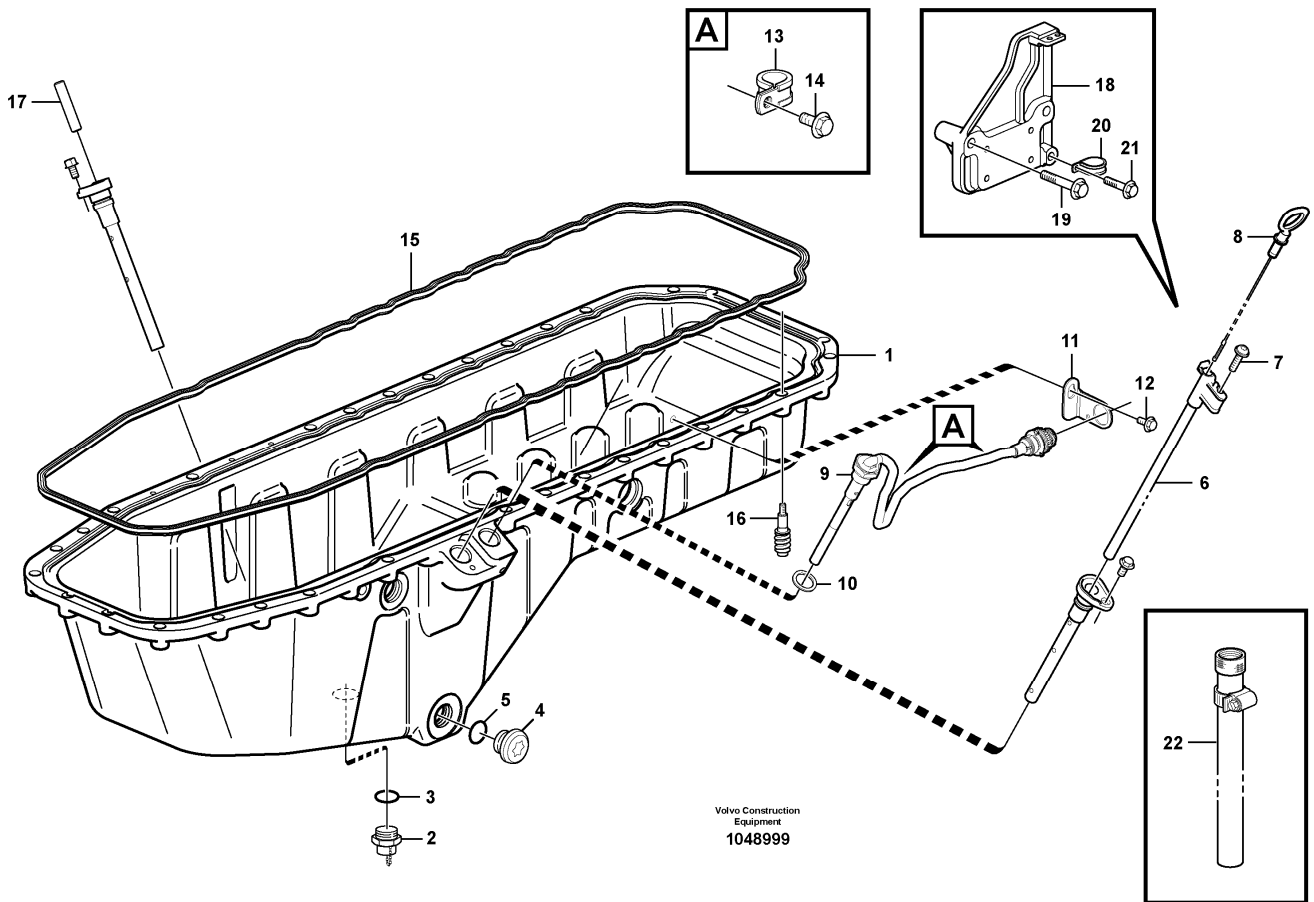
<https://www.ebooklibonline.com>

If the above button click is invalid. Please download this document first, and then click the above link to download the complete manual.

Thank you so much for reading

2	VOE20724256	2	2						•Pipe		
3	VOE946440	2	2						•Flange screw		
4	VOE24424110	1							•Oil Lvl Sensor		SE2202, SE2205
4	VOE21042447		1						•Oil level sensor		SE2202, SE2205
5	VOE990719	1	1						••O-ring		
6	VOE13948356	3	3						•Flange screw		
7	VOE953035	2	2						•Stud		
8	VOE13949278	2	2						•Flange lock nut		
9	VOE20700754	3	3						•Retainer		
10	VOE13960638	1	1						•Plug		
11	VOE982509	1	1						•Gasket		
12	VOE11423224	1	1						•Tube		
13	VOE7025167	1	1						•Hollow screw		
14	VOE976929	2	2						•Gasket		
15	VOE11423005	1	1						Pipe		L = 860 MM
16	VOE20364858	1	1						•Bracket		
	VOE11423151	1	1				NS		•Plastic Pipe		
17	VOE11423006	1	1						Oil Dipstick		
18	VOE949187	2	2						•O-ring		
19	VOE975371	1	1						Six point socket screw		
20	VOE20538726	30	30						Flange screw		
21	VOE20532272	1	1						Sealing strip		
22	VOE11127320	1	1						Hose		

Date: 2014/1/14	Image id: 1048999	Catalogue: 20101	Model: EC360C L
Brand: Volvo	Serial: 110001-115000, 140001-145000	Group/Section: 217/200	Title: Oil sump / oil dipstick ENG 635570 -



Volvo Construction
Equipment
1048999

Section option	Kit	Option description
VOE8188757		Engine D12D-P
VOE8280231		Engine with Epa label EMISSION CERTIFICATED FROM EU&EPA

Q1-Q5	Option	Option description
Q1 ENG - 650902		
Q2 ENG 650903 -		

Pos	Part	Q1	Q2	Q3	Q4	Q5	PS	Kit	Description	Option(s)	Remark
1		1	1						Oil Pan		See ref 217/300
2	VOE11127648	1					SS		Valve		
2	VOE15128018		1						Valve		
3	VOE982509	1	1						Gasket		
4	VOE11127354	1	1						Plug		
5	VOE13948610	1	1						O-ring		

<https://www.ebooklibonline.com>

Hello dear friend!

Thank you very much for reading.

Enter the link into your browser.

The full manual is available for immediate download.

<https://www.ebooklibonline.com>