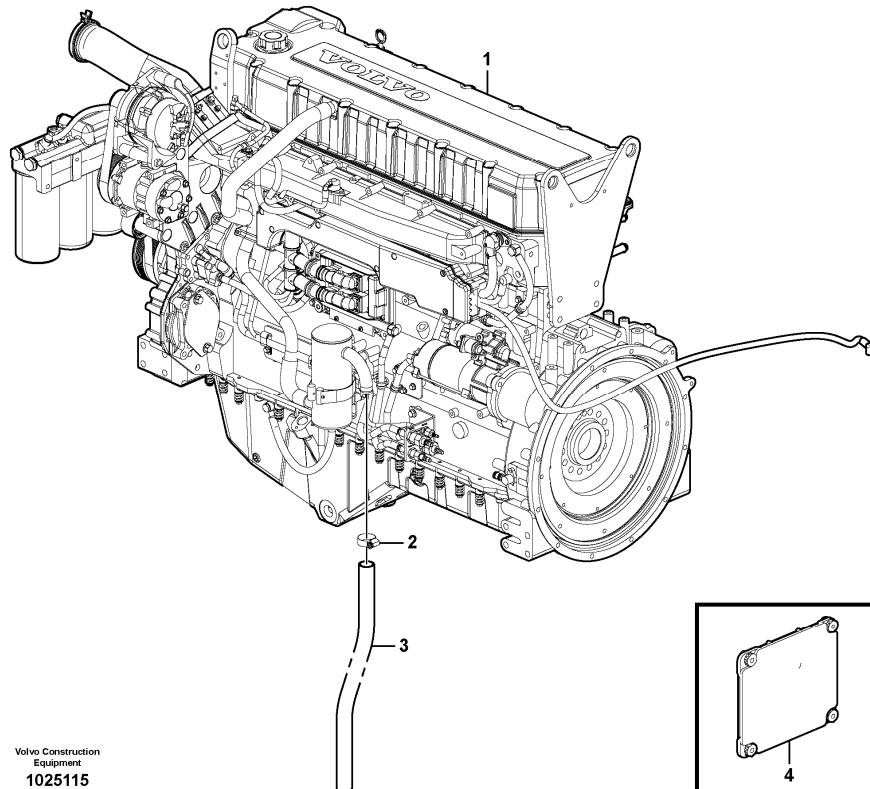


Date: 2014/1/12	Image id: 1025115	Catalogue: 20488	Model: EC360B LC
Brand: Volvo	Serial: 15001-, 35001-, 85001-	Group/Section: 210/100	Title: Engine



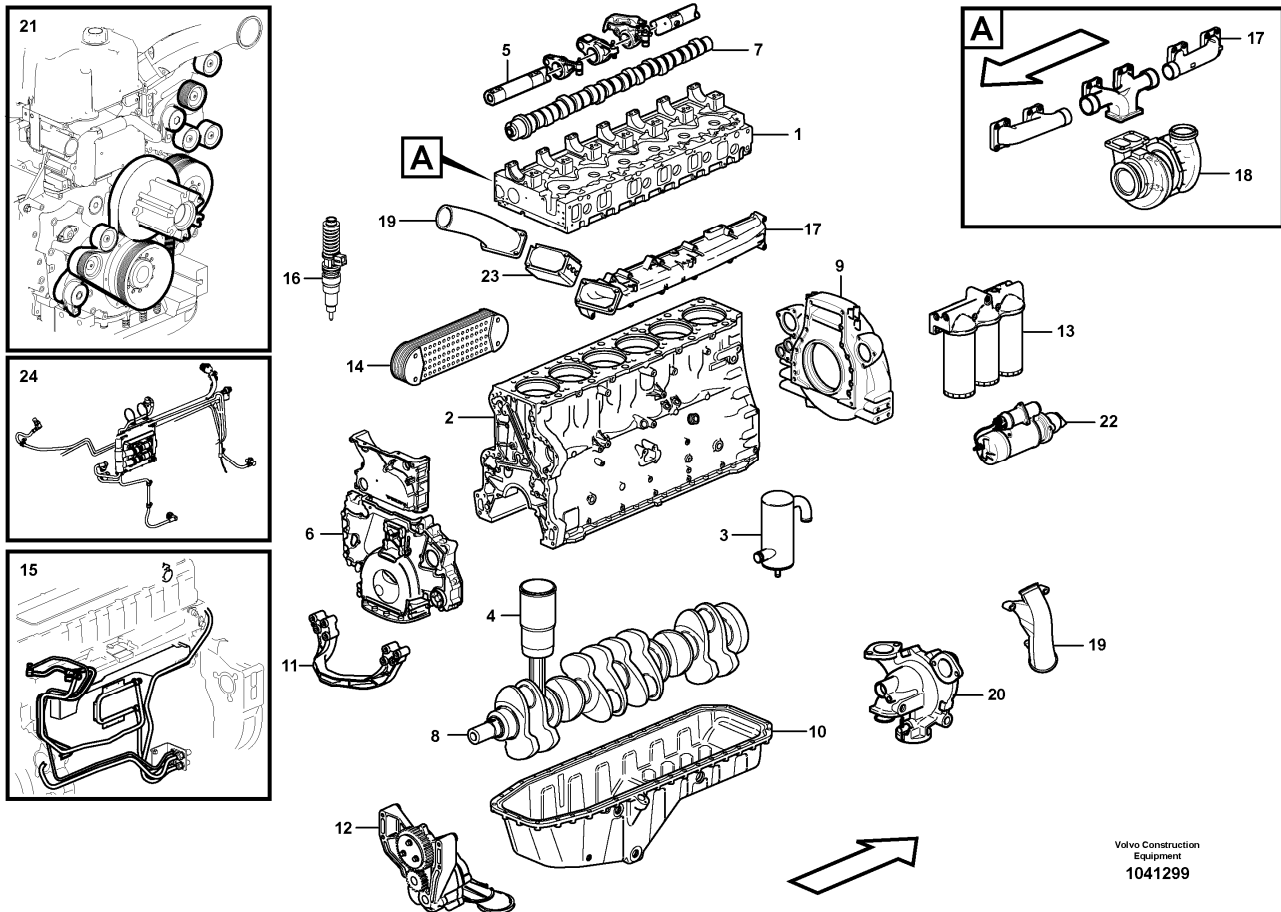
Volvo Construction
Equipment
1025115

Section option	Kit	Option description
VOE8288736		Engine without Epa label
VOE8288738		Engine with Epa label EMISSION CERTIFICATED FROM EU AND EPA

Q1-Q5	Option	Option description	
Q1 8288736	VOE8288736	Engine without Epa label	
Q2 8288738	VOE8288738	Engine with Epa label EMISSION CERTIFICATED FROM EU AND EPA	

Pos	Part	Q1	Q2	Q3	Q4	Q5	PS	Kit	Description	Option(s)	Remark
1	VOE8188757		1						Engine		D12D TIER3
	VOE8188747	1							Engine		D12D Tier3 Based Tier2
2	SA9312-10175	1	1						Clamp		
3	VOE14881131	1	1						Hose		
4	VOE20814604		1						ECU		

Date: 2014/1/12	Image id: 1041299	Catalogue: 20488	Model: EC360B LC
Brand: Volvo	Serial: 15001-, 35001-, 85001-	Group/Section: 210/200	Title: Engine



Volvo Construction
Equipment
1041299

Section option	Kit	Option description
VOE8188747		Engine D12D-O
VOE8188757		Engine D12D-P
VOE8288736		Engine without Epa label
VOE8288738		Engine with Epa label EMISSION CERTIFICATED FROM EU AND EPA

Q1-Q5	Option	Option description	
Q1 8288736 8188747	VOE8288736	Engine without Epa label	
Q2 8288738 8188757	VOE8288738	Engine with Epa label EMISSION CERTIFICATED FROM EU AND EPA	

Pos	Part	Q1	Q2	Q3	Q4	Q5	PS	Kit	Description	Option(s)	Remark
	VOE8188747	1							Engine		D12D-O TIER3 BASED TIER2
	VOE8188757		1						Engine		D12D-P TIER3

<https://www.ebooklibonline.com>

Hello dear friend!

Thank you very much for reading.

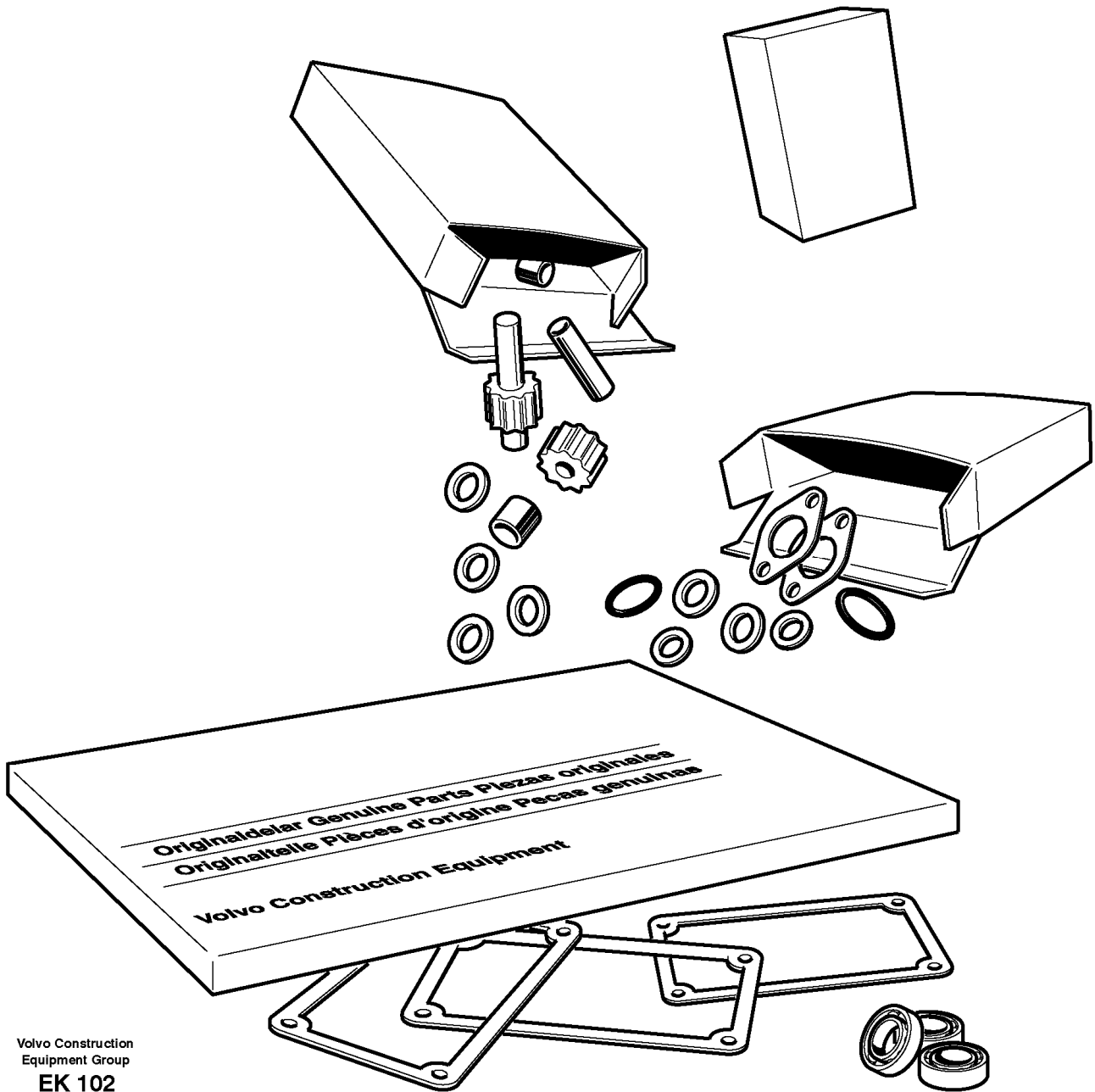
Enter the link into your browser.

The full manual is available for immediate download.

<https://www.ebooklibonline.com>

1		1	1						•Cylinder head		See ref 211/100
2		1	1						•Cylinder block		See ref 212/100
3		1	1						•Crankcase Venti		See ref 212/300
4		6							•Cylinder liner,piston		See ref 213/100
4			6						•Cylinder liner,piston		See ref 213/200
5		1							•Valve mechanism		See ref 214/100
5			1						•Valve mechanism		See ref 214/200
6		1	1						•Timing gear casing		See ref 215/100
7		1	1						•Camshaft		See ref 215/300
8		1	1						•Crankshaft		See ref 216/100
9		1	1						•Flywheel Hsg		See ref 216/200
10		1	1						•Oil sump		See ref 217/100
11		1	1						•Engine mounting		See ref 218/200
12		1							•Lubricating system		See ref 221/100
12			1						•Lubricating system		See ref 221/200
13		1	1						•Oil filter		See ref 222/100
14		1	1						•Oil cooler		See ref 223/100
15		1							•Fuel system		See ref 235/200
15			1						•Fuel system		See ref 235/300
16		1	1						•Injector		See ref 237/200
17		1	1						•Inlet, exhaust syst.		See ref 251/100
18		1	1						•Turbocharger		See ref 255/100
19		1	1						•Chg Air Cooler		See ref 258/100
20		1	1						•Water pump and thermo		See ref 262/100
21		1	1						•Belt transmission		See ref 263/100
22		1	1						•Starter Motor		See ref 331/100
23		1	1						•Starter Element		See ref 333/200
24		1							•Cable harness		See ref 371/300
24			1						•Cable harness		See ref 371/350

Date: 2014/1/12	Image id: EK102	Catalogue: 20488	Model: EC360B LC
Brand: Volvo	Serial: 15001-, 35001-, 85001-	Group/Section: 210/300	Title: Repair kits for engine



Volvo Construction
Equipment Group
EK 102

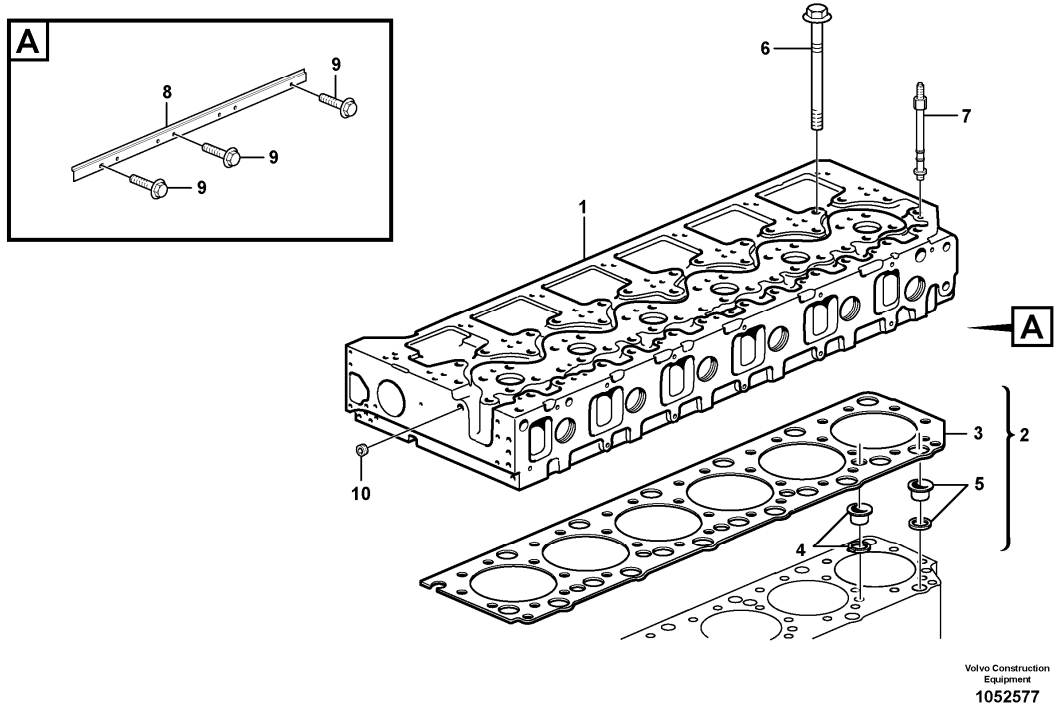
Pos	Part	Q1	Q2	Q3	Q4	Q5	PS	Kit	Description	Option(s)	Remark
	VOE20503200	1							Bearing shell kit		Camshaft
	VOE276630	6							Bearing shell kit		Camshaft
	VOE1677212	12							•Bearing shell		
		REQ							Big End Brg Kit		

		7							Mn Bearing Kit		
		1							Thr Washer Kit		
	VOE20768698	1							Valve Kit		Fuel pump
	VOE276644	6							O-ring Kit		Injector
	VOE11715806	1							Overhaul kit		
	VOE20710242	1							•De-carbonizing kit		Decab kit
	VOE1675841	1							••Gasket		
	VOE8149301	1							••Gasket		
	VOE8170514	1							••Gasket		
	VOE8170519	1							••Gasket		
	VOE13947622	7							••Plane gasket		
	VOE20489341	1							••Gasket		
	VOE949659	12							••O-ring		
	VOE1544710	2							••Sealing ring		
	VOE1547252	1							••Sealing ring		
	VOE1547254	2							••Sealing ring		
	VOE1677370	2							••Sealing ring		
	VOE3165097	1							••Sealing ring		
	VOE3165747	6							••O-ring		
	VOE13949656	1							••O-ring		
	VOE20526428	2							••Sealing ring		use by 8188757
	VOE11713514	1							••Sealant		
	VOE20526706	2							••Sealing strip		
	VOE859171	24							••Valve seal		
	VOE3964604	16							••Bushing		
	VOE20710235	1					NS		••Sealing Kit		
	VOE21070576	1							•••Sealing strip		
	VOE20566300	1					OP		•••Heat shield		
	VOE946441	3							•••Flange screw		
	VOE11712538	1							•Cylinder head kit		Cylinder head kit
	VOE420643	1							••Gasket		
	VOE1675841	1							••Gasket		
	VOE8149301	1							••Gasket		
	VOE8170519	1							••Gasket		
	VOE8170959	6							••Gasket		
	VOE13947281	1							••Gasket		
	VOE20784537	1							••Gasket		
	VOE3099100	1							••Gasket kit		
	VOE949659	12							••O-ring		
	VOE20536487	6							••O-ring		
	VOE469601	1							••Sealing ring		
	VOE1544710	2							••Sealing ring		
	VOE1547255	1							••Sealing ring		
	VOE859171	24							••Valve seal		
	VOE21070576	1							••Sealing strip		
	VOE1546517	20							••Spacer sleeve		

VOE13965180	11								••Screw		
VOE13965189	20								••Screw		
VOE13955311	1								••Screw		
VOE977299	4								••Stud		
VOE471622	4								••Flange lock nut		
VOE20820358	6								•Cylinder		Cylinder liner kit use by 8188757
VOE270950	6								••Sealing kit		
VOE20820363	6								••Piston Ring Kit		
VOE20482587	6						OP		••Piston		
VOE3155115	6								••Gudgeon pin		
VOE914530	6								••Retaining ring		
VOE976929	5								•Gasket		
VOE982509	1								•Gasket		
VOE1556907	2								•Gasket		
VOE7011992	6								•Gasket		
VOE8130185	1								•Gasket		
VOE8170514	2								•Gasket		
VOE8170515	1								•Gasket		
VOE8170534	1								•Gasket		
VOE11127393	1								•Gasket		
VOE11127584	1								•Gasket		
VOE13947281	1								•Gasket		
VOE20489341	1								•Gasket		
VOE948884	2								•Plane gasket		
VOE13947622	15								•Plane gasket		
VOE13947627	2								•Plane gasket		
VOE948980	1								•O-ring		
VOE967343	1								•O-ring		
VOE967344	1								•O-ring		
VOE968757	6								•O-ring		
VOE975664	1								•O-ring		
VOE975687	1								•O-ring		
VOE976013	1								•O-ring		
VOE13948610	3								•O-ring		
VOE13948888	1								•O-ring		
VOE13948983	1								•O-ring		
VOE13949656	1								•O-ring		
VOE13949736	1								•O-ring		
VOE421158	1								•Sealing ring		
VOE469846	2								•Sealing ring		
VOE1542781	1								•Sealing ring		
VOE1547252	2								•Sealing ring		
VOE1547254	2								•Sealing ring		
VOE1547951	1								•Sealing ring		
VOE1677370	2								•Sealing ring		
VOE3165097	1								•Sealing ring		

VOE8148471	2								•Sealing ring		
VOE21092243	1								•Sealing ring		
VOE20551483	2								•Sealing ring		
VOE20714247	1								•Seg moulding		
VOE421723	1								•Sealing		
VOE465784	1								•Sealing		
VOE3830184	1								•Sealing		
VOE20712545	1								•Seal		
VOE1161277	1								•Sealant		
VOE1546624	3								•Restricting washer		
VOE20515376	6								Cylinder		Cylinder liner kit use by 8188747
VOE270950	6								•Sealing kit		
VOE20509932	6								•Piston ring kit		
VOE20451076	6						OP		•Piston		
VOE3155115	6								•Gudgeon pin		
VOE914530	12								•Retaining ring		

Date: 2014/1/12	Image id: 1052577	Catalogue: 20488	Model: EC360B LC
Brand: Volvo	Serial: 15001-, 35001-, 85001-	Group/Section: 211/100	Title: Cylinder head with fitting parts



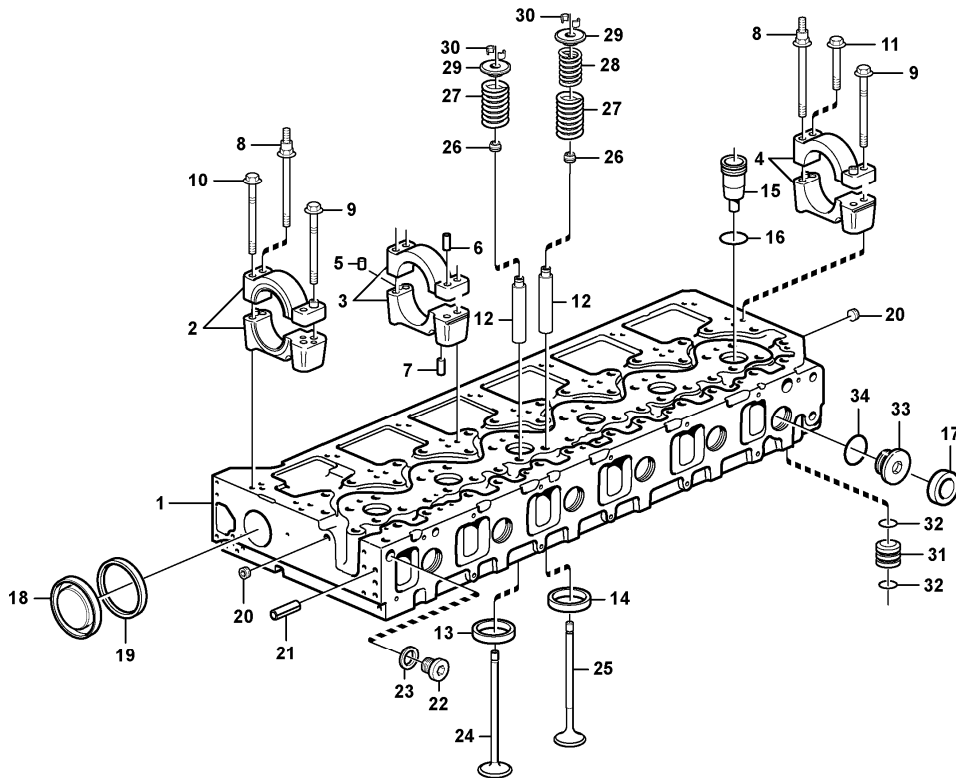
Section option	Kit	Option description
VOE8188747		Engine D12D-O
VOE8188757		Engine D12D-P
VOE8288736		Engine without Epa label
VOE8288738		Engine with Epa label EMISSION CERTIFICATED FROM EU AND EPA

Q1-Q5	Option	Option description	
Q1 8288736 8188747	VOE8288736	Engine without Epa label	
Q2 8288738 8188757	VOE8288738	Engine with Epa label EMISSION CERTIFICATED FROM EU AND EPA	

Pos	Part	Q1	Q2	Q3	Q4	Q5	PS	Kit	Description	Option(s)	Remark
1		1							Cylinder head		See ref 211/200
1			1						Cylinder head		See ref 211/300
2	VOE3099100	1	1						Gasket kit		

3	VOE20412953	1	1						•Gasket		
4		18	18				NS		•Seal Ring		
5		5	5				NS		•Seal Ring		
6	VOE1547419	38	38						Screw		ENG - 649456
6	VOE21345131	38	38						Screw		ENG 649457 -
7	VOE8148863	9	9						Stud		ENG - 651827
7	VOE21344784	9	9						Stud		ENG 651828 -
8	VOE20566300	1	1				OP		Heat shield		
9	VOE946441	4	4						Flange screw		L = 20 MM
10	VOE990831	1	1						Plug		M16

Date: 2014/1/12	Image id: 1031935	Catalogue: 20488	Model: EC360B LC
Brand: Volvo	Serial: 15001-, 35001-, 85001-	Group/Section: 211/200	Title: Cylinder head 8188747



Volvo Construction
Equipment
1031935

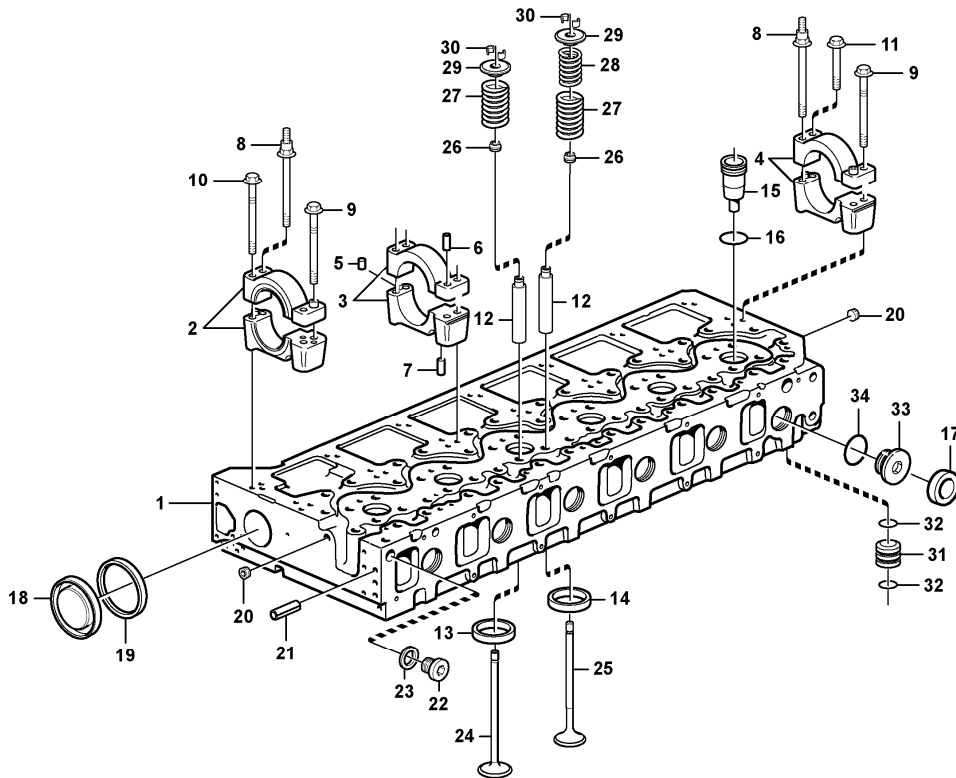
Section option	Kit	Option description
VOE8188747		Engine D12D-O
VOE8288736		Engine without Epa label

Q1-Q5	Option	Option description	
Q1 8288736 8188747	VOE8288736	Engine without Epa label	

Pos	Part	Q1	Q2	Q3	Q4	Q5	PS	Kit	Description	Option(s)	Remark
	VOE20929885	1							Cylinder head		
	VOE24426420	1					SS		•Cylinder head		
1	VOE20478371	1					OP		••Cylinder head		
2	VOE3165130	1							••Bearing housing		
3	VOE3165133	5							••Bearing housing		
4	VOE3165136	1							••Bearing housing		

5	VOE950542	7							•••Pin		
6	VOE1677189	7					NS		•••Sleeve		
7	VOE950562	14							••Pin		
8	VOE21344812	7							••Stud		
9	VOE21344776	14							••Screw		L = 127 MM
10	VOE21344752	1							••Screw		L = 106 MM
11	VOE1677283	6							••Screw		L = 70 MM
12	VOE20905400	24							••Valve guide		
13	VOE20459329	12							••Valve seat		INLET
14	VOE3169366	12							••Valve		EXHAUST
15	VOE3183368	6							••Sleeve		
16	VOE20536487	6							••O-ring		
17	VOE8131707	11							••Cap plug		
18	VOE8170553	1							••Cap plug		
19	VOE1544710	1							•Sealing ring		
20	VOE990830	2							•Plug		M14
21	VOE422426	1							•Pin		
22	VOE20441335	1							•Plug		
23	VOE13947281	1							•Gasket		
24	VOE20459326	12							•Inlet valve		
25	VOE20441945	12							•Exhaust valve		
26	VOE859171	24							•Valve seal		ENG - 660580
26	VOE21501189	24							•Valve stem seal		ENG 660581 -
27	VOE21310068	24							•Valve spring		
28	VOE3183211	12							•Valve spring		
29	VOE1546487	24							•Valve spring washer		
30	VOE1677875	48							•Valve Collet		
31	VOE20463179	1							•Adapter		
32	VOE13949721	2							•O-ring		
33	VOE3165025	1					NS		•Plug		
33	VOE3155171	1							••Plug		
34	VOE949659	1							••O-ring		

Date: 2014/1/12	Image id: 1031935	Catalogue: 20488	Model: EC360B LC
Brand: Volvo	Serial: 15001-, 35001-, 85001-	Group/Section: 211/300	Title: Cylinder head 8188757



Volvo Construction
Equipment
1031935

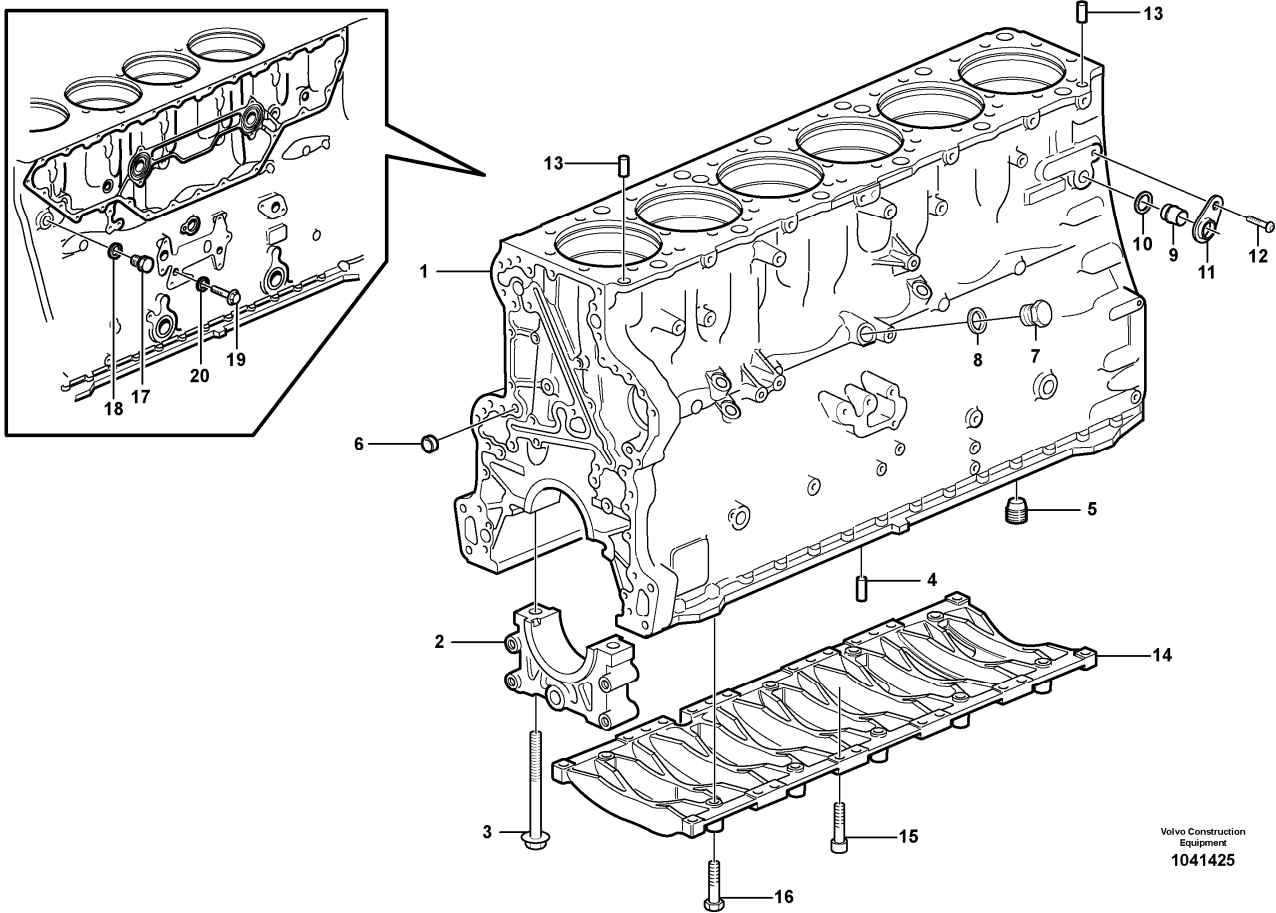
Section option	Kit	Option description
VOE8188757		Engine D12D-P
VOE8288738		Engine with Epa label EMISSION CERTIFICATED FROM EU AND EPA

Q1-Q5	Option	Option description	
Q1 8288738 8188757	VOE8288738	Engine with Epa label EMISSION CERTIFICATED FROM EU AND EPA	

Pos	Part	Q1	Q2	Q3	Q4	Q5	PS	Kit	Description	Option(s)	Remark
	VOE21086450	1							Cylinder head		
	VOE24426421	1					SE		•Cylinder head		
1	VOE20478371	1					OP		••Cylinder head		
2	VOE3165130	1							••Bearing housing		
3	VOE3165133	5							••Bearing housing		
4	VOE3165136	1							••Bearing housing		

5	VOE950542	7							•••Pin		
6	VOE1677189	7					NS		•••Sleeve		
7	VOE950562	14							••Pin		
8	VOE21344812	7							••Stud		
9	VOE21344776	14							••Screw		L = 127 MM
10	VOE21344752	1							••Screw		L = 106 MM
11	VOE1677283	6							••Screw		L = 70 MM
12	VOE20817648	24							••Valve guide		
13	VOE20459329	12							••Valve seat		INLET
14	VOE20412798	12							••Valve seat		EXHAUST
15	VOE3183368	6							••Sleeve		
16	VOE20536487	6							••O-ring		
17	VOE8131707	11							••Cap plug		
18	VOE8170553	1							••Cap plug		
19	VOE1544710	1							•Sealing ring		
20	VOE990830	2							•Plug		M14
21	VOE422426	1							•Pin		
22	VOE20441335	1							•Plug		
23	VOE13947281	1							•Gasket		
24	VOE20459326	12							•Inlet valve		
25	VOE20441486	12							•Exhaust Valve		
26	VOE859171	24							•Valve seal		ENG - 660580
26	VOE21501189	24							•Valve stem seal		ENG 660581 -
27	VOE21310068	24							•Valve spring		
28	VOE3183211	12							•Valve spring		
29	VOE1546487	24							•Valve spring washer		
30	VOE1677875	48							•Valve Collet		
31	VOE20463179	1							•Adapter		
32	VOE13949721	2							•O-ring		
33	VOE3165025	1					NS		•Plug		
33	VOE3155171	1							••Plug		
34	VOE949659	1							••O-ring		

Date: 2014/1/12	Image id: 1041425	Catalogue: 20488	Model: EC360B LC
Brand: Volvo	Serial: 15001-, 35001-, 85001-	Group/Section: 212/100	Title: Cylinder block



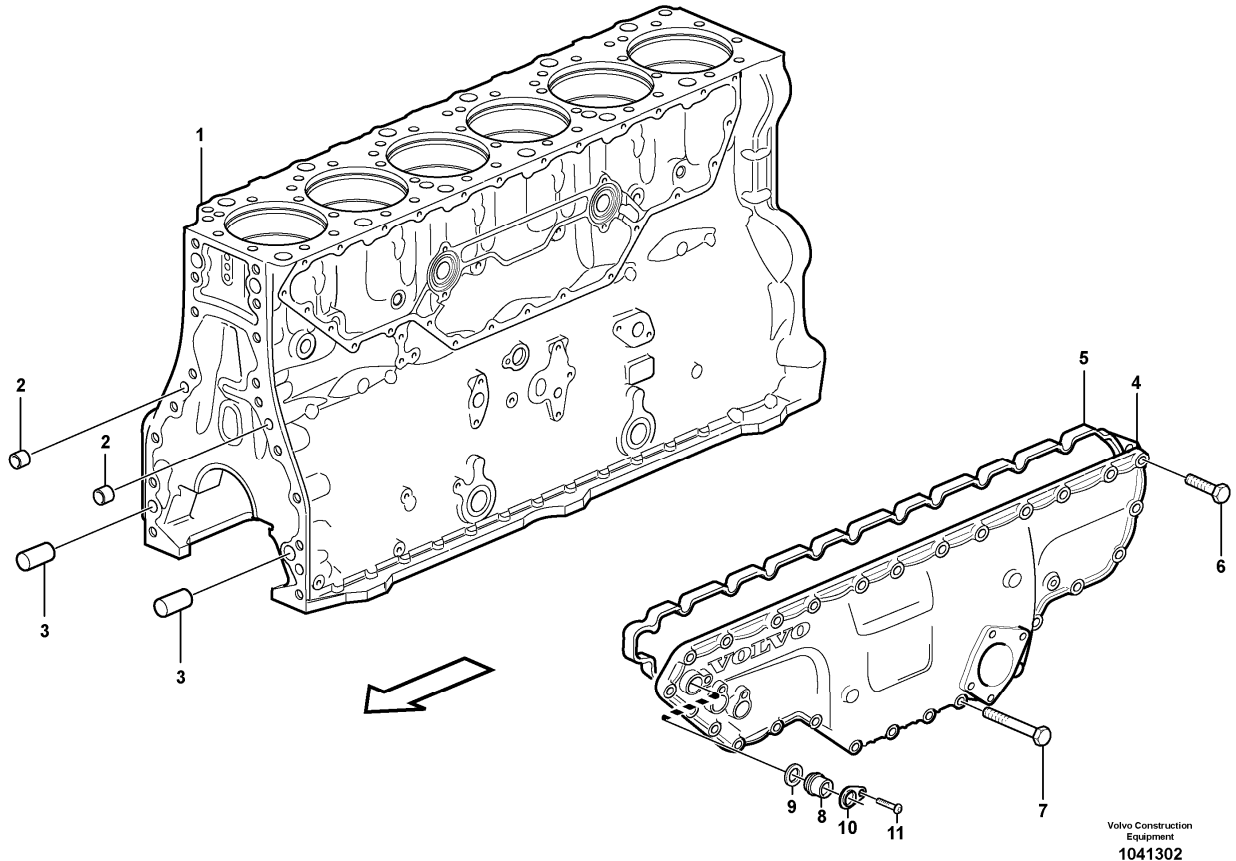
Section option	Kit	Option description
VOE8188747		Engine D12D-O
VOE8188757		Engine D12D-P
VOE8288736		Engine without Epa label
VOE8288738		Engine with Epa label EMISSION CERTIFICATED FROM EU AND EPA

Q1-Q5	Option	Option description	
Q1 8288736 8188747	VOE8288736	Engine without Epa label	
Q2 8288738 8188757	VOE8288738	Engine with Epa label EMISSION CERTIFICATED FROM EU AND EPA	

Pos	Part	Q1	Q2	Q3	Q4	Q5	PS	Kit	Description	Option(s)	Remark
	VOE8130120	1	1				SS		Cylinder block		
1	VOE8130121	1	1				NS		•Cylinder Block		
2		7	7				NS		•Cap		

3	VOE1547040	14	14						•Screw		
4	VOE422426	1	1						•Pin		
5	VOE8170666	1	1						Plug		
6	VOE981735	1	1						Cap plug		
7	VOE960631	1	1						Plug		
8	VOE7011996	1	1						Gasket		
9	VOE1546528	1	1						Plug		
10	VOE1547252	1	1						Sealing ring		
11	VOE20718731	1	1						Yoke		
12	VOE13972542	1	1						Six point socket screw		
13	VOE8170389	2	2						Guide sleeve		
14	VOE3183414	1	1						Frame		
15	VOE973523	20	20						Allen Hd Screw		
16	VOE13965187	6	6						Screw		
17	VOE13960634	1	1						Plug		
18	VOE13947627	1	1						Plane gasket		
19	VOE946440	1	1						Flange screw		
20	VOE7011992	1	1						Gasket		

Date: 2014/1/13	Image id: 1041302	Catalogue: 20488	Model: EC360B LC
Brand: Volvo	Serial: 15001-, 35001-, 85001-	Group/Section: 212/200	Title: Cylinder block



Volvo Construction
Equipment
1041302

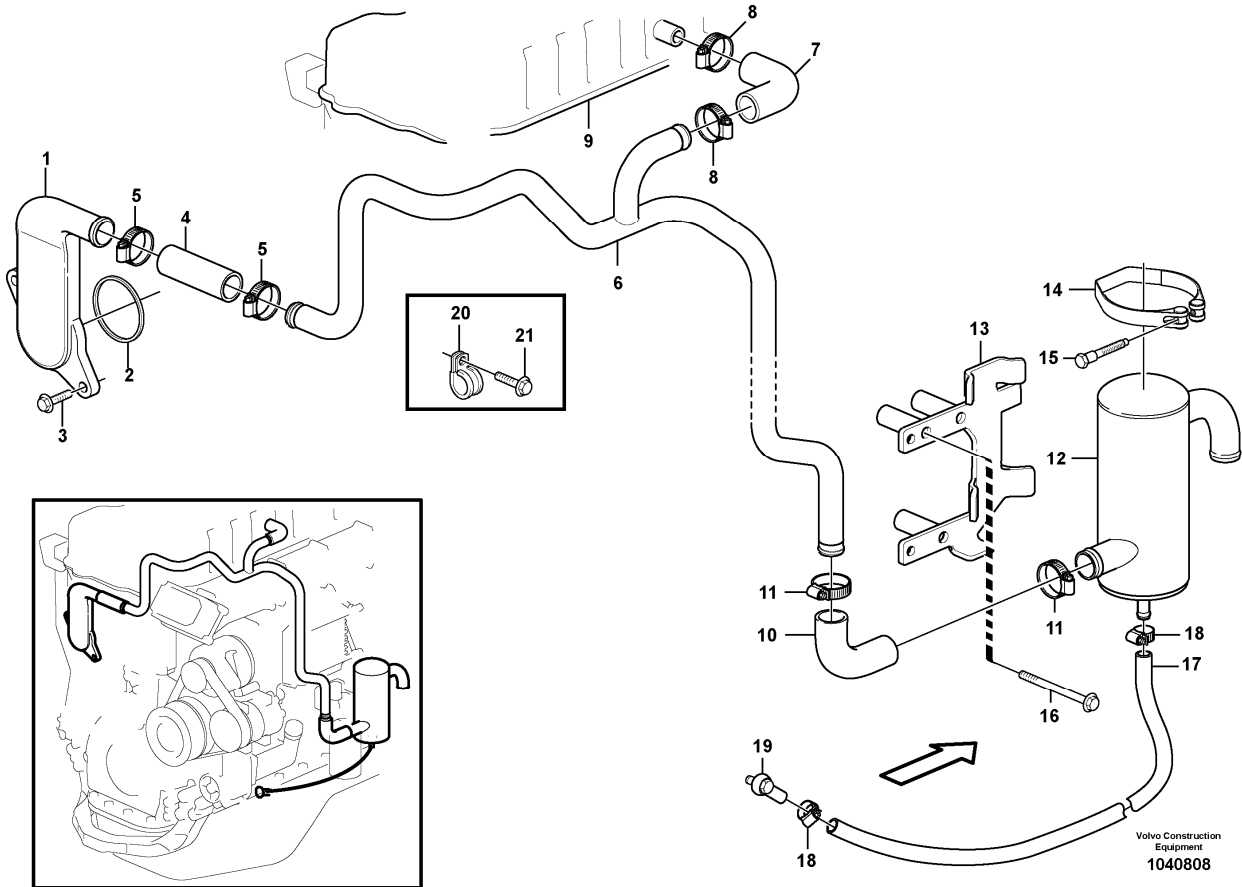
Section option	Kit	Option description
VOE8188747		Engine D12D-O
VOE8188757		Engine D12D-P
VOE8288736		Engine without Epa label
VOE8288738		Engine with Epa label EMISSION CERTIFICATED FROM EU AND EPA

Q1-Q5	Option	Option description	
Q1 8288736 8188747	VOE8288736	Engine without Epa label	
Q2 8288738 8188757	VOE8288738	Engine with Epa label EMISSION CERTIFICATED FROM EU AND EPA	

Pos	Part	Q1	Q2	Q3	Q4	Q5	PS	Kit	Description	Option(s)	Remark
1		1	1						Cylinder Block		See ref 212/100
2	VOE981735	2	2						Cap plug		
3	VOE8170389	2	2						Guide sleeve		

4	VOE20538056	1	1						Casing		
5	VOE20712545	1	1						Seal		
6	VOE13945444	20	20						Screw		
7	VOE13965180	7	7						Screw		
8	VOE1546528	1	1						Plug		
9	VOE1547252	1	1						Sealing ring		
10	VOE20718731	1	1						Yoke		
11	VOE13972542	1	1						Six point socket screw		

Date: 2014/1/13	Image id: 1040808	Catalogue: 20488	Model: EC360B LC
Brand: Volvo	Serial: 15001-, 35001-, 85001-	Group/Section: 212/300	Title: Crankcase ventilation



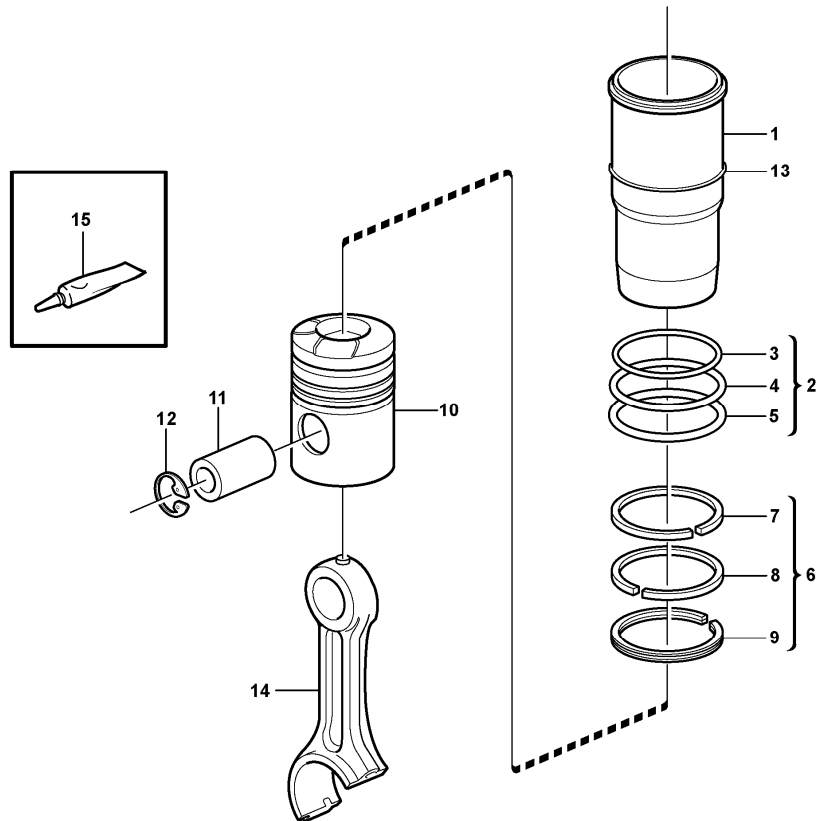
Section option	Kit	Option description
VOE8188747		Engine D12D-O
VOE8188757		Engine D12D-P
VOE8288736		Engine without Epa label
VOE8288738		Engine with Epa label EMISSION CERTIFICATED FROM EU AND EPA

Q1-Q5	Option	Option description	
Q1 8288736 8188747	VOE8288736	Engine without Epa label	
Q2 8288738 8188757	VOE8288738	Engine with Epa label EMISSION CERTIFICATED FROM EU AND EPA	

Pos	Part	Q1	Q2	Q3	Q4	Q5	PS	Kit	Description	Option(s)	Remark
1	VOE11127358	1	1						Flange pipe		
2	VOE3165097	1	1						Sealing ring		
3	VOE13945444	2	2						Screw		

4	VOE11128750	1	1						Hose		L = 100 MM
5	VOE943476	2	2						Hose clamp		ENG - 654902
5	VOE993963	2	2						Hose clamp		ENG 654903 -
6	VOE11423661	1	1						Pipe		
7	VOE11128756	1	1						Hose		
8	VOE943476	2	2						Hose clamp		
9		1							Valve Cover		See ref 214/100
9			1						Valve Cover		See ref 214/200
10	VOE11128756	1	1						Hose		
11	VOE943476	2	2						Hose clamp		
12	VOE11033878	1	1						Oil trap		
13	VOE11423659	1	1						Bracket		
14	VOE420914	1	1						Tensioning Band		
15	VOE1545257	1	1						Screw		
16	VOE965189	3	3						Flange screw		
17	VOE983342	REQ	REQ						Hose		L = 570 MM
18	VOE943471	2	2						Hose clamp		ENG - 654902
18	VOE993960	2	2						Hose clamp		ENG 654903 -
19		1	1						Nipple		See ref 217/200
20	VOE13949997	1	1						Clamp		
21	VOE946440	1	1						Flange screw		

Date: 2014/1/13	Image id: 1035153	Catalogue: 20488	Model: EC360B LC
Brand: Volvo	Serial: 15001-, 35001-, 85001-	Group/Section: 213/100	Title: Cylinder liner and piston 8188747



Volvo Construction
Equipment
1035153

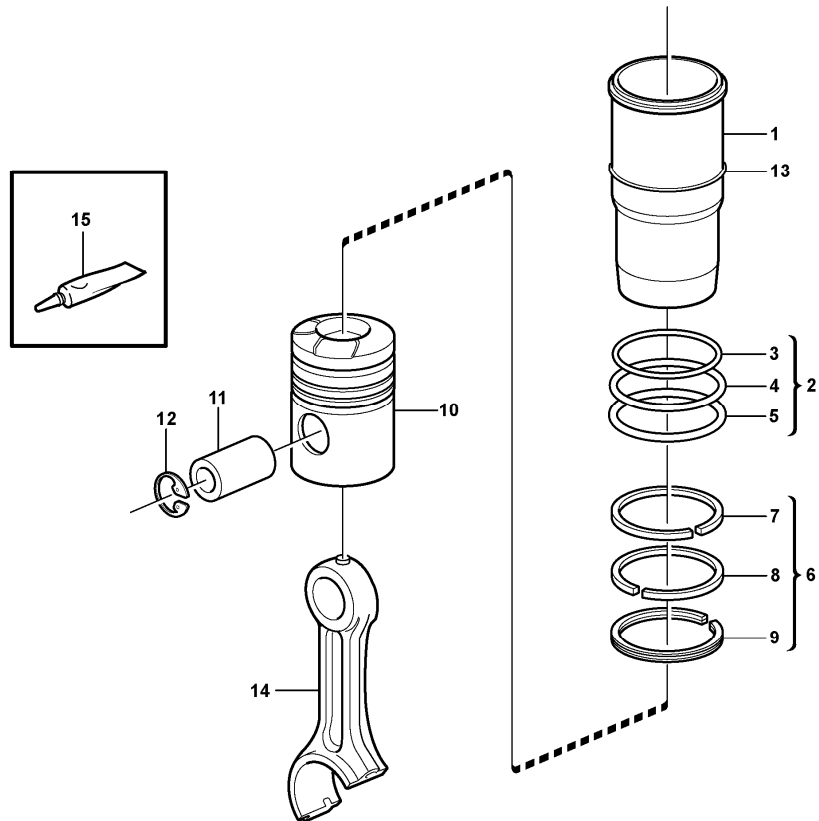
Section option	Kit	Option description
VOE8188747		Engine D12D-O
VOE8288736		Engine without Epa label

Q1-Q5	Option	Option description	
Q1 8288736 8188747	VOE8288736	Engine without Epa label	

Pos	Part	Q1	Q2	Q3	Q4	Q5	PS	Kit	Description	Option(s)	Remark
	VOE20515376	6							Cylinder		
1	VOE20498544	6					NS		•Cylinder liner		
2	VOE270950	6							•Sealing kit		
3	VOE470922	6							••Seal Ring		UPPER
4	VOE470190	12					NS		••Sealing ring		
5	VOE270950	6							••Sealing kit		LOW

6	VOE20509932	6							•Piston ring kit		
7	VOE20411224	6					OP		••Compression ring		UPPER
8	VOE20411237	6							••Compression ring		LOW
9	VOE20738692	6							••Oil scraper ring		
10	VOE20451076	6					OP		•Piston		
11	VOE3155115	6							•Gudgeon pin		
12	VOE914530	12							•Retaining ring		
13	VOE1677591	REQ							Shim		THICK = 0,2 MM
13	VOE1677592	REQ							Shim		THICK = 0,3 MM
13	VOE1677593	REQ							Shim		THICK = 0,5 MM
14		6							Connecting rod		See ref 216/100
15	VOE1161277	1							Sealant		20 GRAM

Date: 2014/1/13	Image id: 1035153	Catalogue: 20488	Model: EC360B LC
Brand: Volvo	Serial: 15001-, 35001-, 85001-	Group/Section: 213/200	Title: Cylinder liner and piston 8188757



Volvo Construction
Equipment
1035153

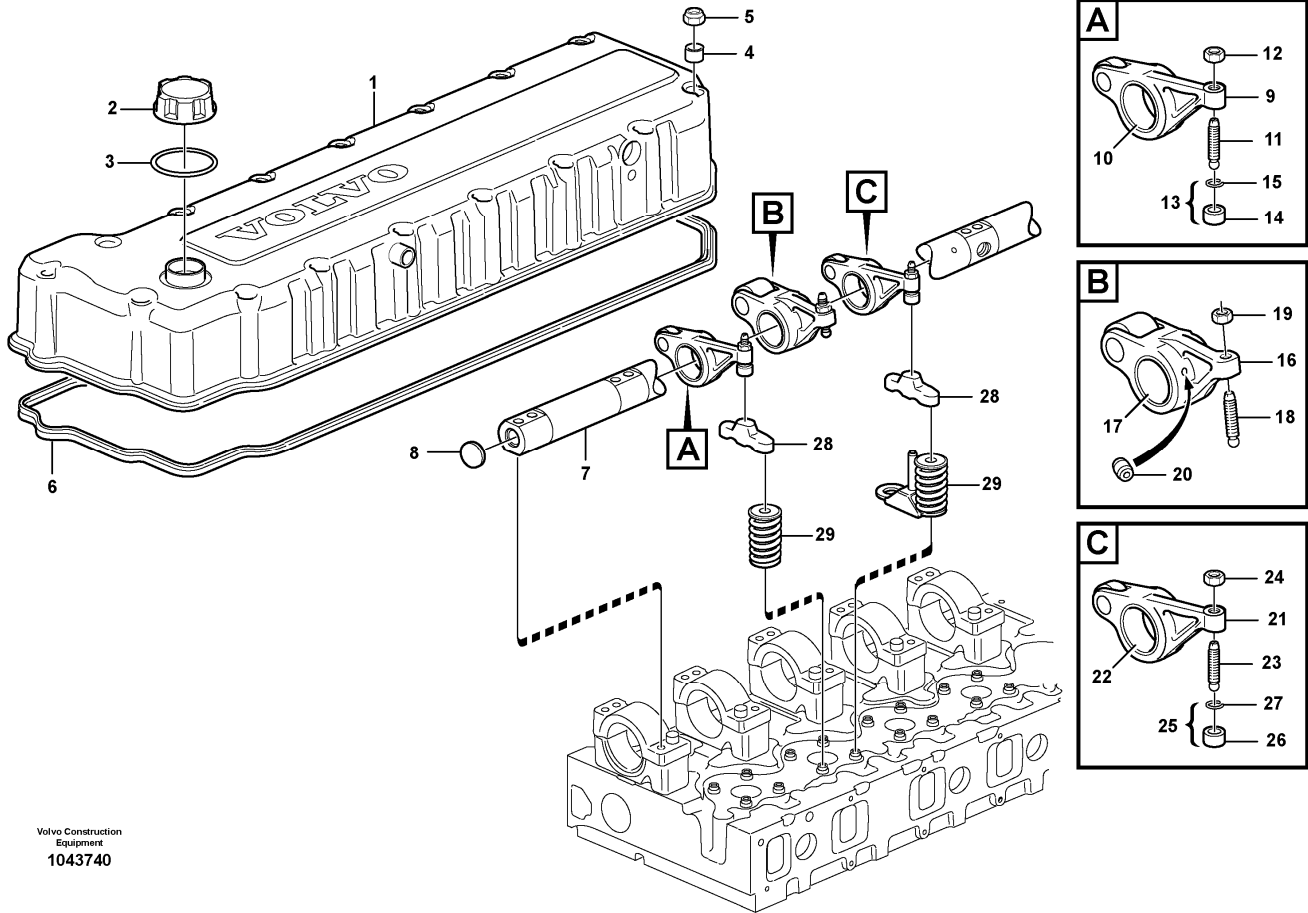
Section option	Kit	Option description
VOE8188757		Engine D12D-P
VOE8288738		Engine with Epa label EMISSION CERTIFICATED FROM EU AND EPA

Q1-Q5	Option	Option description	
Q1 8288738 8188757	VOE8288738	Engine with Epa label EMISSION CERTIFICATED FROM EU AND EPA	

Pos	Part	Q1	Q2	Q3	Q4	Q5	PS	Kit	Description	Option(s)	Remark
	VOE20820358	6							Cylinder		
1	VOE20451502	6					NS		•Cylinder Liner		
2	VOE270950	6							•Sealing kit		
3	VOE470922	6							••Seal Ring		UPPER
4	VOE470190	12					NS		••Sealing ring		
5	VOE270950	6							••Sealing kit		LOW

6	VOE20820363	6							•Piston Ring Kit		
7	VOE20411224	6					OP		••Compression ring		UPPER
8	VOE20576259	6					OP		••Compression ring		LOW
9	VOE20505156	6					OP		••Oil scraper ring		
10	VOE20482587	6					OP		•Piston		
11	VOE3155115	6							•Gudgeon pin		
12	VOE914530	12							•Retaining ring		
13	VOE1677591	REQ							Shim		THICK = 0,2 MM
13	VOE1677592	REQ							Shim		THICK = 0,3 MM
13	VOE1677593	REQ							Shim		THICK = 0,5 MM
14		6							Connecting rod		See ref 216/100
15	VOE1161277	1							Sealant		20 GRAM

Date: 2014/1/13	Image id: 1043740	Catalogue: 20488	Model: EC360B LC
Brand: Volvo	Serial: 15001-, 35001-, 85001-	Group/Section: 214/100	Title: Valve mechanism 8188747



Volvo Construction
Equipment
1043740

Section option	Kit	Option description
VOE8188747		Engine D12D-O
VOE8288736		Engine without Epa label

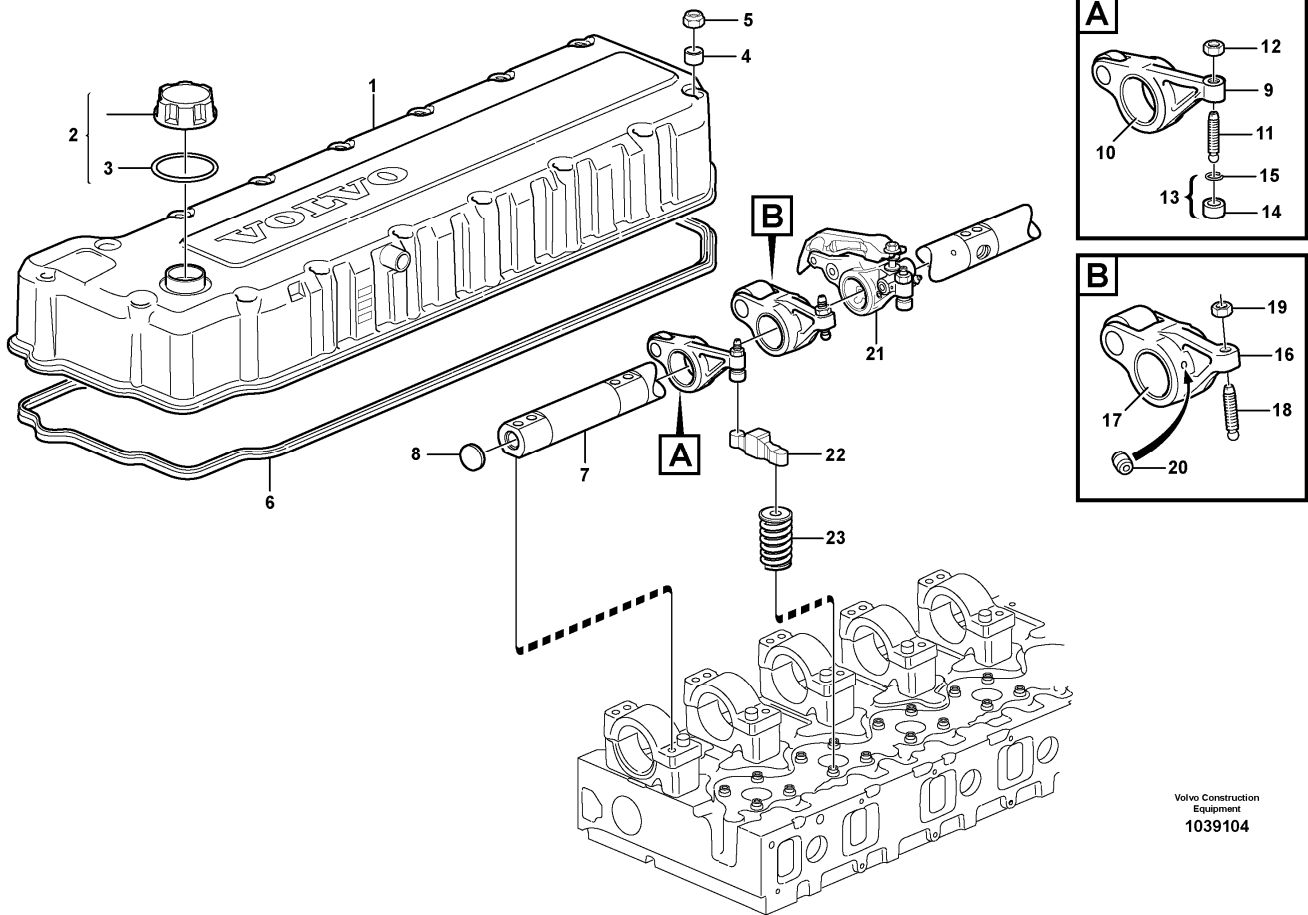
Q1-Q5	Option	Option description	
Q1 8288736 8188747	VOE8288736	Engine without Epa label	

Pos	Part	Q1	Q2	Q3	Q4	Q5	PS	Kit	Description	Option(s)	Remark
1	VOE21052622	1							Valve cover		
2	VOE20807510	1							•Oil filler cap		
3	VOE20365079	1							••Gasket		
4	VOE3964604	16							Bushing		
5	VOE8148488	16							Lock nut		
6	VOE21123014	1							Sealing strip		

7	VOE8170158	1							Rocker arm shaft		
7	VOE8170159	1					OP		•Rocker arm shaft		
8	VOE980176	2							•Expansion plug		
9	VOE21024794	6							Rocker arm		INLET
9	VOE1546690	6					NS		•Rocker arm		
10	VOE1546681	6							•Bushing		
	VOE1546046	6							•Bushing		See footnote 2624)
11	VOE1546458	6							•Ball stud		
12	VOE13946911	6							•Nut		
13	VOE21054149	6							•Ball socket		
14	VOE21054152	6					NS		••Ball Socket		
15	VOE944364	6							••O-ring		
16	VOE21089229	6							Rocker arm		INJECTOR
16	VOE20381704	6					OP		•Rocker arm		
17	VOE21081469	6							•Bushing		
18	VOE1546775	6							•Ball stud		
19	VOE1677396	6							•Hexagon nut		
20	VOE3964817	12							•Jet		
21	VOE21024789	6							Rocker arm		EXHAUST
21		6					NS		•Rocker Arm		
22		6					NS		•Bushing		
23	VOE1546458	6							•Ball stud		
24	VOE13946911	6							•Nut		
25	VOE21054149	6							•Ball socket		
26	VOE21054152	6					NS		••Ball Socket		
27	VOE944364	6							••O-ring		
28	VOE3183207	12							Valve cap		
29		24							Valve spring		See ref 211/200

2624) Not Shown

Date: 2014/1/13	Image id: 1039104	Catalogue: 20488	Model: EC360B LC
Brand: Volvo	Serial: 15001-, 35001-, 85001-	Group/Section: 214/200	Title: Valve mechanism 8188757



Volvo Construction
Equipment
1039104

Section option	Kit	Option description
VOE8188757		Engine D12D-P
VOE8288738		Engine with Epa label EMISSION CERTIFICATED FROM EU AND EPA

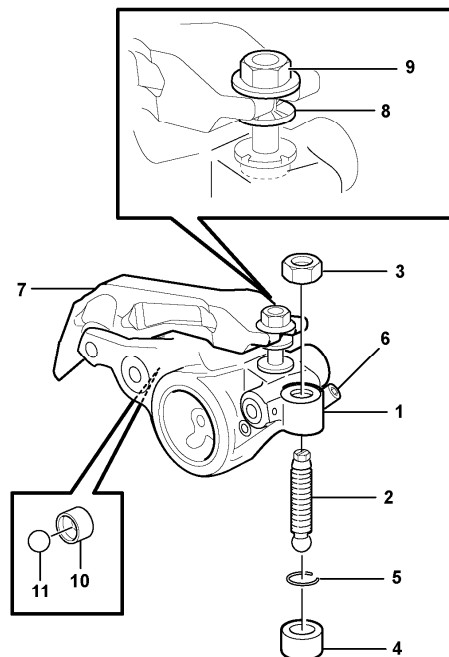
Q1-Q5	Option	Option description	
Q1 8288738 8188757	VOE8288738	Engine with Epa label EMISSION CERTIFICATED FROM EU AND EPA	

Pos	Part	Q1	Q2	Q3	Q4	Q5	PS	Kit	Description	Option(s)	Remark
1	VOE21052622	1							Valve cover		
2	VOE20807510	1							•Oil filler cap		
3	VOE20365079	1							••Gasket		
4	VOE3964604	16							Bushing		
5	VOE8148488	16							Lock nut		
6	VOE21123014	1							Sealing strip		

7	VOE8170158	1						Rocker arm shaft		
7	VOE8170159	1					OP	•Rocker arm shaft		
8	VOE980176	2						•Expansion plug		
9	VOE21024794	6						Rocker arm		INLET
9	VOE1546690	6					NS	•Rocker arm		
10	VOE1546681	6						•Bushing		
	VOE1546046	6						•Bushing		See footnote 2624)
11	VOE1546458	6						•Ball stud		
12	VOE13946911	6						•Nut		
13	VOE21054149	6						•Ball socket		
14	VOE21054152	6					NS	••Ball Socket		
15	VOE944364	6						••O-ring		
16	VOE21089229	6						Rocker arm		INJECTOR
16	VOE20381704	6					OP	•Rocker arm		
17	VOE21081469	6						•Bushing		
18	VOE1546775	6						•Ball stud		
19	VOE1677396	6						•Hexagon nut		
20	VOE3964817	12						•Jet		
21		6						Rocker Arm		EXHAUST See ref 214/300
22	VOE3183207	12						Valve cap		
23		24						Valve spring		See ref 211/300

2624) Not Shown

Date: 2014/1/13	Image id: 1041652	Catalogue: 20488	Model: EC360B LC
Brand: Volvo	Serial: 15001-, 35001-, 85001-	Group/Section: 214/300	Title: Rocker arm 8188757



Volvo Construction
Equipment
1041652

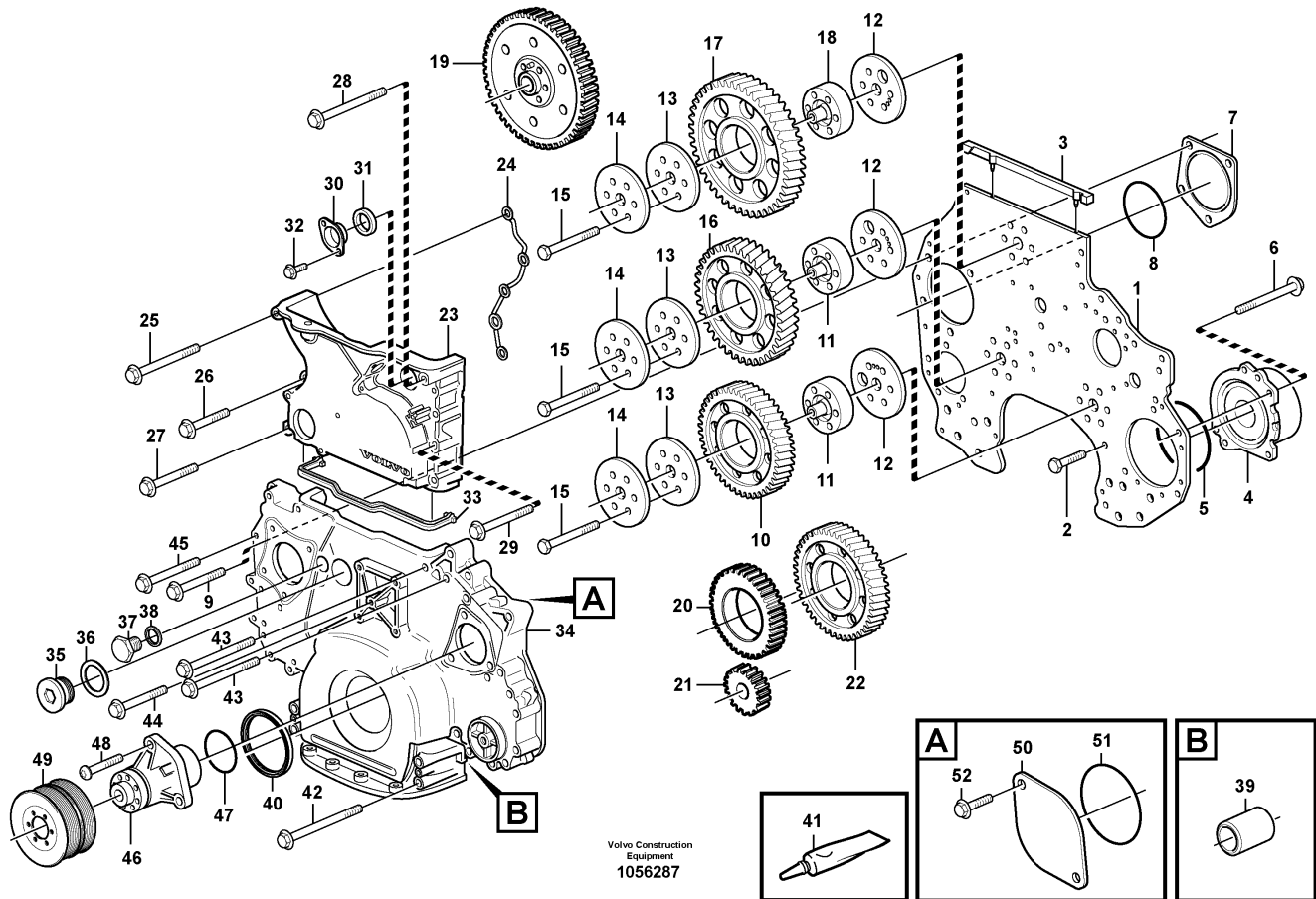
Section option	Kit	Option description
VOE8188757		Engine D12D-P
VOE8288738		Engine with Epa label EMISSION CERTIFICATED FROM EU AND EPA

Q1-Q5	Option	Option description	
Q1 8288738 8188757	VOE8288738	Engine with Epa label EMISSION CERTIFICATED FROM EU AND EPA	

Pos	Part	Q1	Q2	Q3	Q4	Q5	PS	Kit	Description	Option(s)	Remark
	VOE21243114	1							Rocker arm		EXHAUST
1	VOE21243110	1					NS		•Rocker Arm		
2	VOE1546458	1							•Ball stud		
3	VOE13946911	1							•Nut		
4	VOE21054149	1							•Ball socket		
5	VOE944364	1							••O-ring		

6	VOE20916960	1							•Nipple		
7	VOE21084235	1					NS		•Rocker Arm		
8	VOE20524954	1					OP		•Sleeve		
9	VOE20524958	1							•Nut		
10	VOE20810847	1							•Valve seat		
11	VOE67089	1					NS		•Ball		

Date: 2014/1/13	Image id: 1056287	Catalogue: 20488	Model: EC360B LC
Brand: Volvo	Serial: 15001-, 35001-, 85001-	Group/Section: 215/100	Title: Timing gear casing and gears



Section option	Kit	Option description
VOE8188747		Engine D12D-O
VOE8188757		Engine D12D-P
VOE8288736		Engine without Epa label
VOE8288738		Engine with Epa label EMISSION CERTIFICATED FROM EU AND EPA

Q1-Q5	Option	Option description
Q1 ENG - 656061		
Q2 ENG 656062 -		

Pos	Part	Q1	Q2	Q3	Q4	Q5	PS	Kit	Description	Option(s)	Remark
1	VOE8170561	1	1						Xmsn Plate		
2	VOE946470	17	17						Flange screw		
3	VOE20489341	1	1						Gasket		
4	VOE11128611	1	1						Bearing housing		

5	VOE13949736	1	1					O-ring		
6	VOE965197	4	4					Flange screw		(VOE13965197)
7	VOE1556208	1	1					Cover		
8	VOE13948888	1	1					O-ring		
9	VOE973967	2	2					Flange screw		
10	VOE8170193	1	1					Idler gear		
11	VOE8170219	2	2					Hub		
12	VOE8170220	3	3					Thrust washer		
13	VOE3184865	3	3					Thrust washer		
14	VOE3184868	3	3					Bearing shield		
15	VOE1547886	18	18					Screw		
16	VOE8170195	1	1					Idler gear		
17	VOE8170197	1	1					Idler gear		
18	VOE8170199	1	1					Hub		
19		1	1					Gear		See ref 215/300
20		1	1					Idler gear		See ref 221/300
21		1	1					Gear		See ref 221/300
22		1	1					Gear		See ref 262/100
23	VOE20713791	1	1					Tmg Gear Cover		
24	VOE3830184	1	1					Sealing		
25	VOE968553	1	1					Flange screw		M8 x 115 MM
26	VOE13965182	3	3					Screw		M8 x 80 MM
27	VOE13965183	1	1					Flange screw		M8 x 90 MM
28	VOE13965190	1	1					Screw		M10 x 100 MM
29	VOE13965223	1	1					Screw		M10 x 75 MM
29	VOE13947790	2	2					Screw		M10 x 80 MM
30	VOE3964803	1	1					Plug		
31	VOE20555696	1	1					Sealing ring		
32	VOE946440	2	2					Flange screw		
33	VOE20714247	1	1					Seg moulding		
34	VOE21122283	1					SS	Timing gear cover		
34	VOE21424752		1					Timing gear cover		
34	VOE21206533	1	1					•Timing gear cover		
34	VOE3595444	1	1				NS	••Tmg gear cover		
35	VOE467367	1	1					••Plug		
36	VOE1556907	1	1					••Gasket		
37	VOE13960632	1	1					••Plug		
38	VOE948884	1	1					••Plane gasket		
39	VOE1547940	2	2					••Sleeve		
40	VOE85108423	1						•Crankshaft seal		
40	VOE21081526		1				NS	•Crankshaft Seal		
41	VOE11713514	REQ	REQ					Sealant		310 GRAM
41	VOE1161277	REQ	REQ					Sealant		10 ML
42	VOE973096	4	4					Flange screw		M10 x 130 MM
43	VOE13947790	2	2					Screw		M10 x 80 MM
44	VOE13965183	1	1					Flange screw		M8 x 90 MM
45	VOE955302	11	11					Hexagon screw		M8 x 60 MM

45	VOE965181	1	1						Flange screw		M8 x 70 MM
45	VOE946473		4						Flange screw		M12 x 90 MM
46		1	1						Driving Device		See ref 215/200
47	VOE967344	1	1						O-ring		
48	VOE13946752	1	1						Screw		L = 35 MM
48	VOE13965186	2	2						Screw		L = 50 MM
49	VOE3841069	1	1						Pulley		
50	VOE3828400	1	1						Cover		
51	VOE967344	1	1						O-ring		
52	VOE946441	2	2						Flange screw		



Suggest:

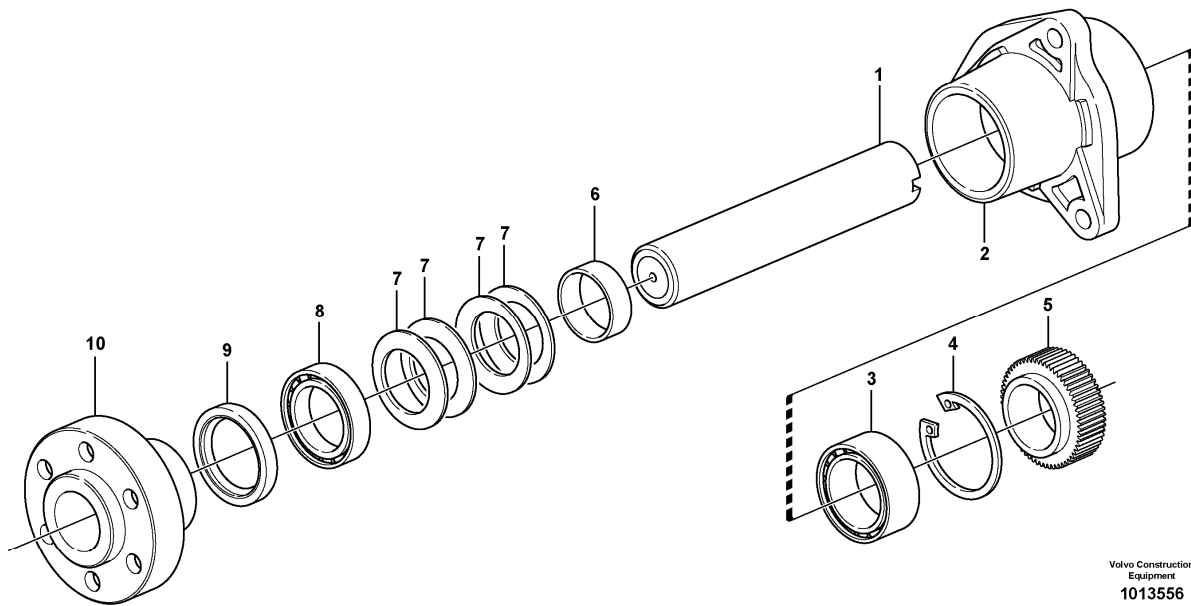
For more complete manuals. Please go to the home page.

<https://www.ebooklibonline.com>

If the above button click is invalid. Please download this document first, and then click the above link to download the complete manual.

Thank you so much for reading

Date: 2014/1/13	Image id: 1013556	Catalogue: 20488	Model: EC360B LC
Brand: Volvo	Serial: 15001-, 35001-, 85001-	Group/Section: 215/200	Title: Driving device



Volvo Construction
Equipment
1013556

Section option	Kit	Option description
VOE8188747		Engine D12D-O
VOE8188757		Engine D12D-P
VOE8288736		Engine without Epa label
VOE8288738		Engine with Epa label EMISSION CERTIFICATED FROM EU AND EPA

Q1-Q5	Option	Option description	
Q1 8288736 8188747	VOE8288736	Engine without Epa label	
Q2 8288738 8188757	VOE8288738	Engine with Epa label EMISSION CERTIFICATED FROM EU AND EPA	

Pos	Part	Q1	Q2	Q3	Q4	Q5	PS	Kit	Description	Option(s)	Remark
	VOE8193986	1	1						Driving device		
1	VOE8184821	1	1				NS		•Axle		
2	VOE8170667	1	1				OP		•Bearing housing		

3	VOE471499	1	1						•Ball bearing		
4	VOE914532	1	1						•Retaining ring		
5	VOE8170240	1	1				OP		•Gear		
6	VOE8193994	1	1						•Spacer sleeve		
7	VOE1677558	4	4				OP		•Disc spring		
8	VOE11013	1	1						•Ball bearing		
9	VOE1546480	1	1						•Sealing ring		
10	VOE1547846	1	1				OP		•Hub		

<https://www.ebooklibonline.com>

Hello dear friend!

Thank you very much for reading.

Enter the link into your browser.

The full manual is available for immediate download.

<https://www.ebooklibonline.com>