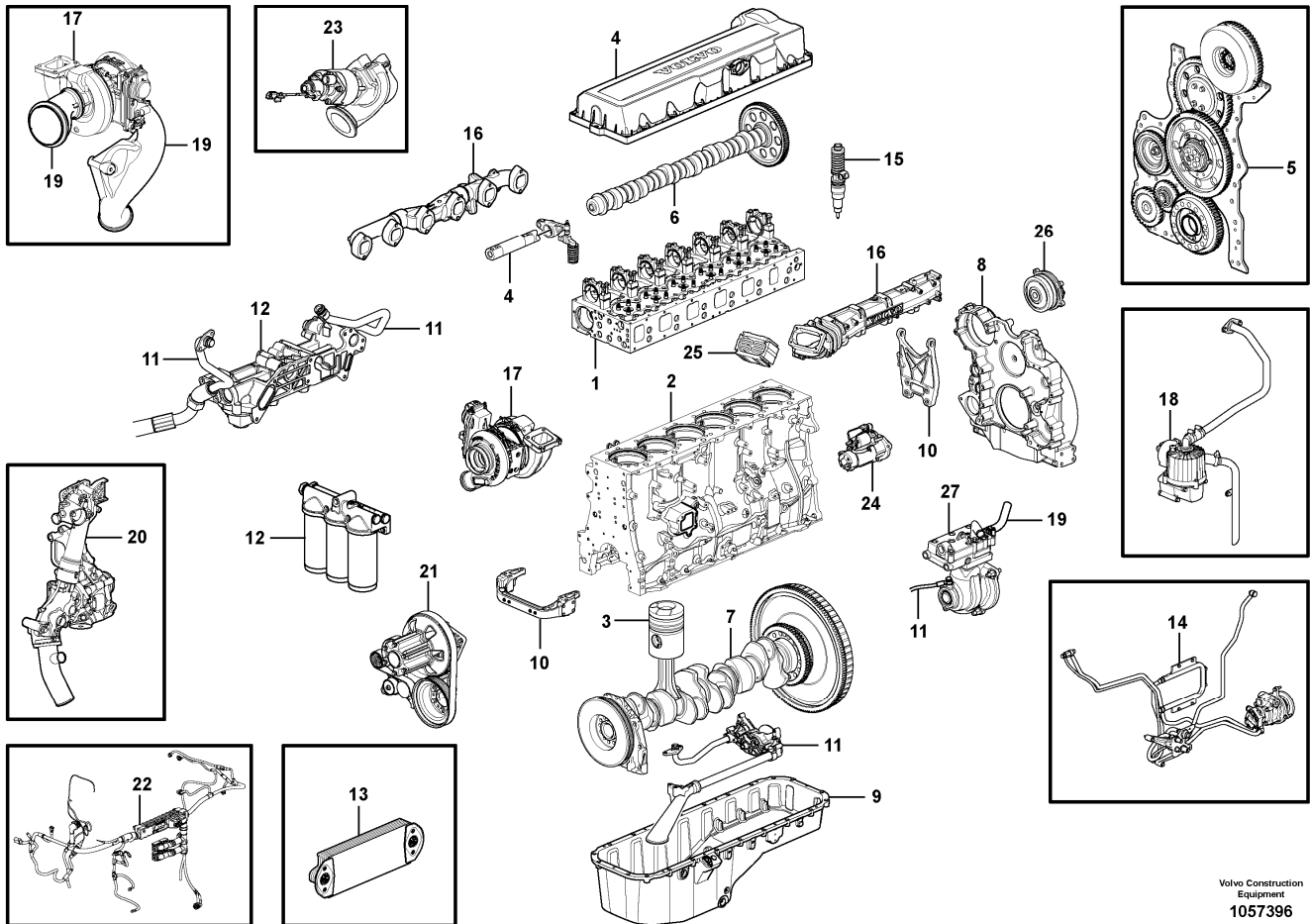


Date: <b>2014/1/10</b>	Image id: <b>1057396</b>	Catalogue: <b>20593</b>	Model: <b>EC340D L</b>
Brand: <b>Volvo</b>	Serial: <b>210001-</b>	Group/Section: <b>210/200</b>	Title: <b>Engine</b>



Volvo Construction  
Equipment  
1057396

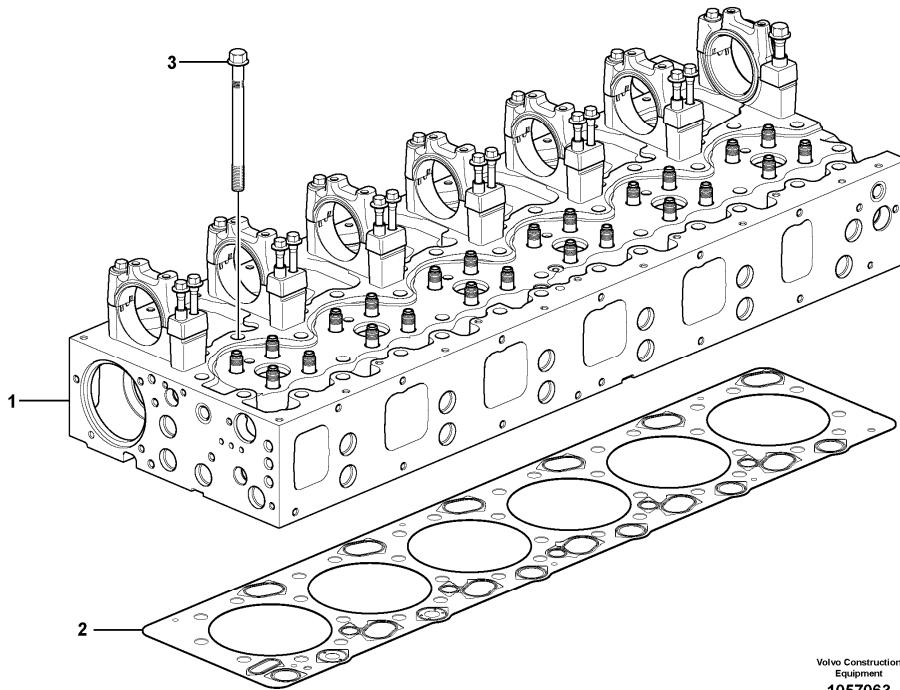
Q1-Q5	Option	Option description	
Q1 8289023	VOE8289023	Engine D13H STAGE 3B WITH ASSOCIATED EQUIPMENT	
Q2 8289891	VOE8289891	Engine D13H TIER 4I WITH ASSOCIATED EQUIPMENT	
Q3 15173113	VOE15173113	Engine D13H, EU/US	

Pos	Part	Q1	Q2	Q3	Q4	Q5	PS	Kit	Description	Option(s)	Remark
	VOE15117871	1					SE		Engine		
	VOE15049436		1				SE		Engine		
	VOE15173113			1					Engine		See footnote 1) AME
1		1	1						•Cylinder head		See ref 211/100
2		1	1						•Cylinder block		See ref 212/100
3		6	6						•Cylinder liner,piston		See ref 213/100
4		1	1						•Valve mechanism		See ref 214/100
5		1	1						•Timing gears		See ref 215/100
6		1	1						•Camshaft		See ref 215/200

7		1	1						•Crankshaft		See ref 216/100
8		1	1						•Flywheel Hsg		See ref 216/200
9		1	1						•Oil sump		See ref 217/100
10		1	1						•Engine mounting		See ref 218/200
11		1	1						•Lubricating system		See ref 221/100
12		1	1						•Oil filter		See ref 222/100
13		1	1						•Oil cooler		See ref 223/100
14		1	1						•Fuel system		See ref 235/200
15		1	1						•Injector		See ref 237/100
16		1	1						•Inlet, exhaust syst.		See ref 251/100
17		1	1						•Turbocharger		See ref 255/100
18		1	1						•Crankcase Venti		See ref 257/100
19		1	1						•Chg Air Cooler		See ref 258/100
20		1	1						•Cooling System		See ref 262/100
21		1	1						•Belt transmission		See ref 263/100
22		1	1						•Cable harness		See ref 286/100
23		1	1						•EGR valve		See ref 293/100
24		1	1						•Starter Motor		See ref 331/100
25		1	1						•Starter Element		See ref 333/100
26		1	1						•Bearing Housing		See ref 482/100
27		1	1						•Compressor		See ref 254/4100

1) Replacement version

Date: <b>2014/1/10</b>	Image id: <b>1057063</b>	Catalogue: <b>20593</b>	Model: <b>EC340D L</b>
Brand: <b>Volvo</b>	Serial: <b>210001-</b>	Group/Section: <b>211/100</b>	Title: <b>Cylinder head with fitting parts</b>



Volvo Construction  
Equipment  
1057063

Q1-Q5	Option	Option description	
Q1 8289023 8289891	VOE8289023	Engine D13H STAGE 3B WITH ASSOCIATED EQUIPMENT	

Pos	Part	Q1	Q2	Q3	Q4	Q5	PS	Kit	Description	Option(s)	Remark
1		1							Cylinder head		See ref 211/200
2	VOE21313537	1							Cylinder head gasket		
3	VOE21345131	38							Screw		

**<https://www.ebooklibonline.com>**

Hello dear friend!

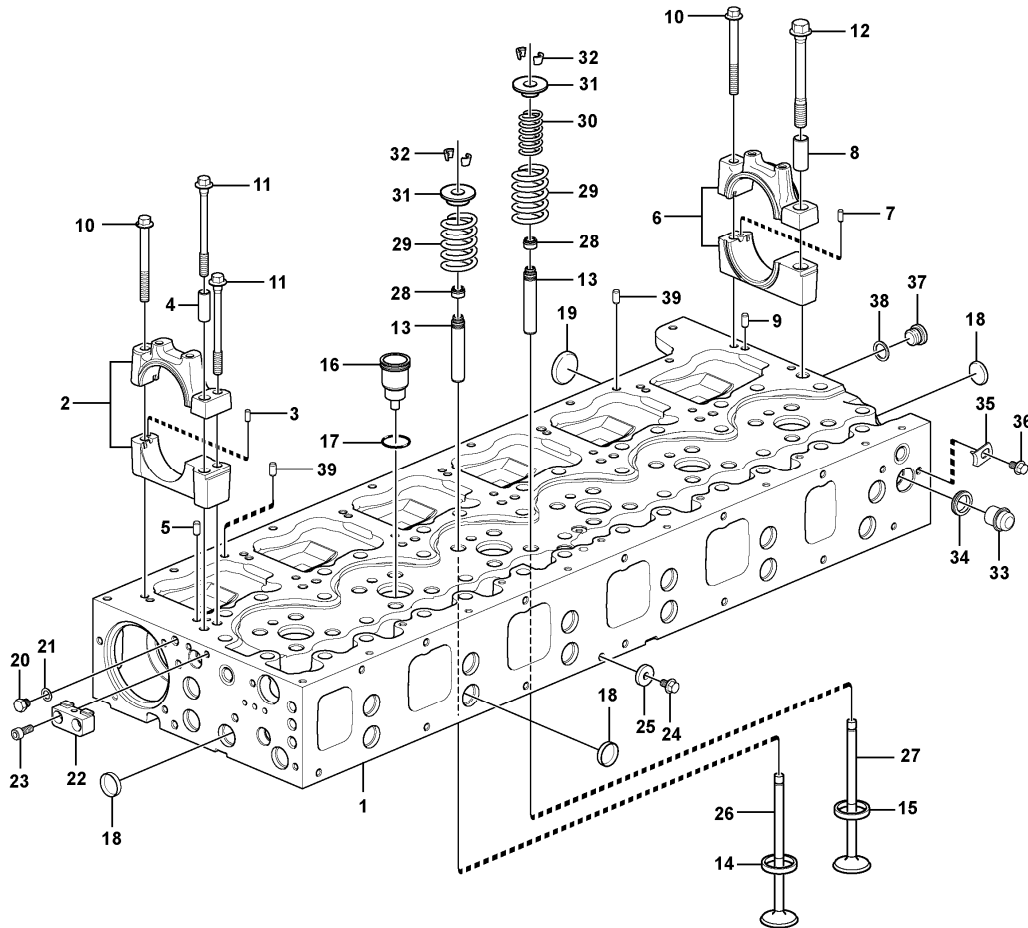
Thank you very much for reading.

Enter the link into your browser.

The full manual is available for immediate download.

**<https://www.ebooklibonline.com>**

Date: <b>2014/1/10</b>	Image id: <b>1057077</b>	Catalogue: <b>20593</b>	Model: <b>EC340D L</b>
Brand: <b>Volvo</b>	Serial: <b>210001-</b>	Group/Section: <b>211/200</b>	Title: <b>Cylinder head</b>



Volvo Construction  
Equipment  
1057077

Section option	Kit	Option description
VOE8289891		Engine D13H TIER 4I WITH ASSOCIATED EQUIPMENT
VOE8289023		Engine D13H STAGE 3B WITH ASSOCIATED EQUIPMENT
VOE15049436		Engine D13H-C, US
VOE15117871		Engine D13H-D, EU

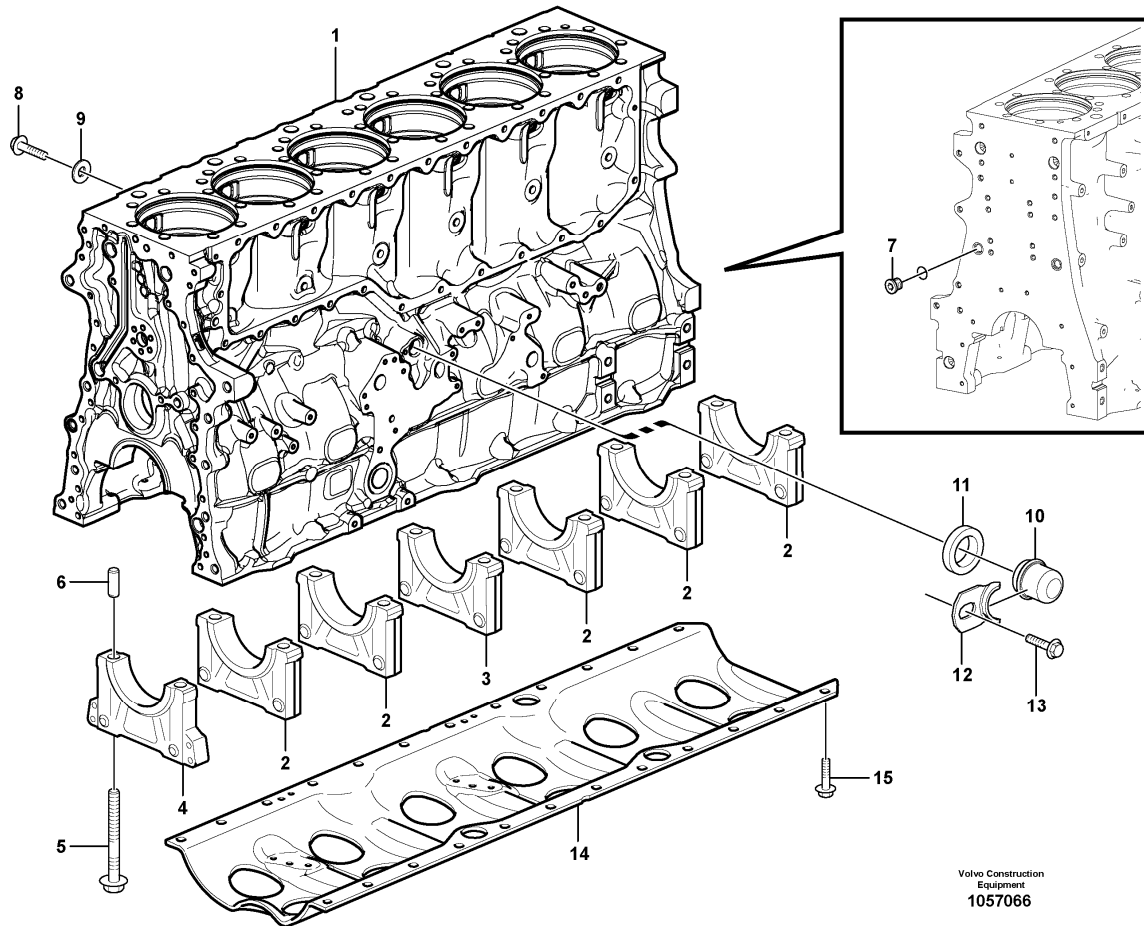
Q1-Q5	Option	Option description	
Q1 8289023 8289891	VOE8289023	Engine D13H STAGE 3B WITH ASSOCIATED EQUIPMENT	

Pos	Part	Q1	Q2	Q3	Q4	Q5	PS	Kit	Description	Option(s)	Remark
	VOE21460896	1							Cylinder head		See footnote 1)
	VOE21458124	1					NS		•Cylinder head		
1	VOE21280089	1					NS		••Cylinder head		
2	VOE20813823	6					NS		••Bearing Housing		1 - 6
3	VOE950542	6							•••Pin		

4	VOE1677189	6					NS		•••Pin		
5	VOE950562	12							•••Pin		
6	VOE20907267	1					NS		••Bearing Housing		
7	VOE950542	1							•••Pin		
8	VOE1636468	1					NS		•••Sleeve		
9	VOE950562	2							•••Pin		
10	VOE13975105	7							••Flange screw		
11	VOE21344778	12							••Flange screw		
12	VOE20412482	1							••Flange screw		
13	VOE20904074	24							••Valve guide		
14	VOE20740804	12							••Valve seat		INLET
15	VOE20530103	12							••Valve seat		EXHAUST
16	VOE21515329	6							••Injector sleeve		
16	VOE21401136	6					NS		•••Sleeve		
17	VOE20536487	6							•••O-ring		
18	VOE24426721	21							••Cap plug		OD = 29 mm
19	VOE24426722	5							••Cap plug		OD = 40 mm
	VOE1161370	REQ							••Locking fluid		50 ml
	VOE1161059	REQ							••Sealant		LOCTIT 510
20	VOE960628	1							•Plug		
21	VOE13947281	1							•Gasket		
22	VOE20559837	1					NS		•Bracket		
23	VOE959220	2							•Allen Hd Screw		
24	VOE13944926	1							•Screw		
25	VOE945583	1					NS		•Washer		
26	VOE20740798	12							•Inlet valve		
27	VOE20768519	12							•Exhaust valve		
28	VOE20864662	24							•Valve seal		
29	VOE21310068	24							•Valve spring		OUTER
30	VOE3183211	12							•Valve spring		EXHAUST, INNER
31	VOE20510743	24							•Valve spring washer		
32	VOE20510747	48							•Valve cotter		
33	VOE1546528	1							•Plug		
34	VOE1547252	1							•Sealing ring		
35	VOE1546531	1							•Lock brace		
36	VOE947107	1							•Flange screw		
37	VOE13966143	1							•Plug		
38	VOE13947622	1							•Plane gasket		
39	VOE20908338	2							•Guide		

1) Replacement version

Date: <b>2014/1/10</b>	Image id: <b>1057066</b>	Catalogue: <b>20593</b>	Model: <b>EC340D L</b>
Brand: <b>Volvo</b>	Serial: <b>210001-</b>	Group/Section: <b>212/100</b>	Title: <b>Cylinder block</b>



Volvo Construction  
Equipment  
1057066

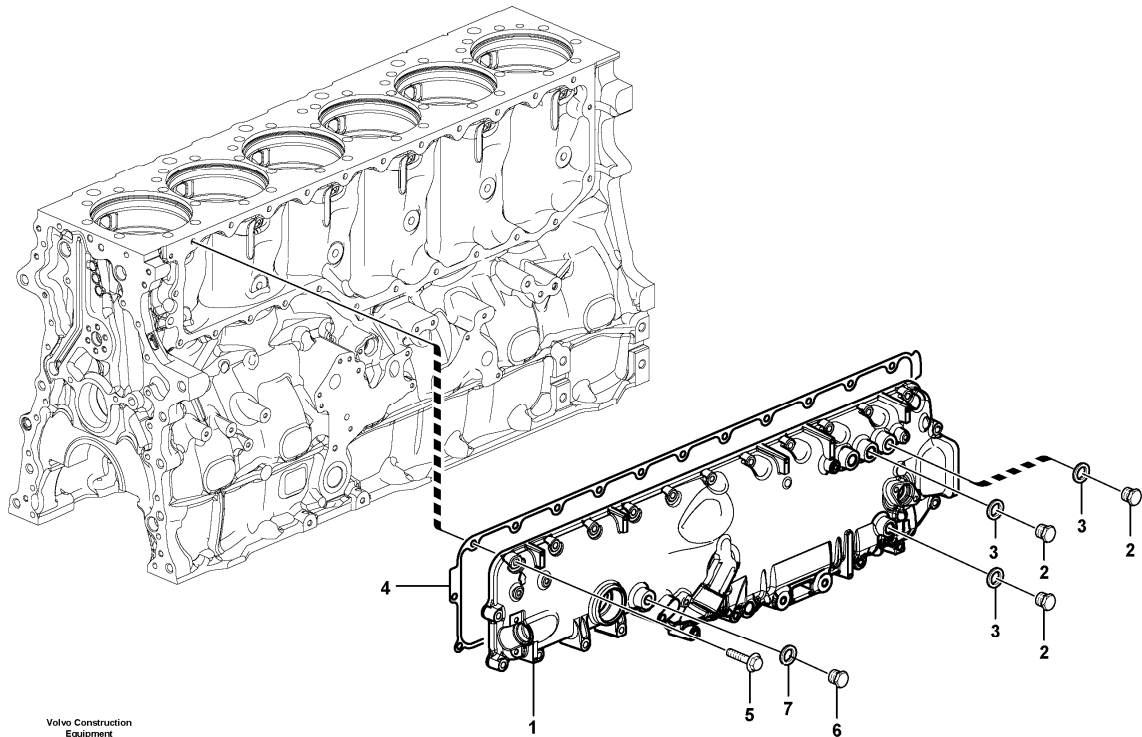
Section option	Kit	Option description
VOE8289891		Engine D13H TIER 4I WITH ASSOCIATED EQUIPMENT
VOE8289023		Engine D13H STAGE 3B WITH ASSOCIATED EQUIPMENT
VOE15049436		Engine D13H-C, US
VOE15117871		Engine D13H-D, EU

Q1-Q5	Option	Option description	
Q1 8289023 8289891	VOE8289023	Engine D13H STAGE 3B WITH ASSOCIATED EQUIPMENT	

Pos	Part	Q1	Q2	Q3	Q4	Q5	PS	Kit	Description	Option(s)	Remark
	VOE21048297	1							Cylinder block		
1	VOE21048301	1					NS		•Cylinder Block		
2	VOE8148427	5					NS		•Main Bearing Cap		1, 2, 3, 5, 6
3	VOE8148428	1					NS		•Main Bearing Cap		4
4	VOE20511488	1					NS		•Main Bearing Cap		7

5	VOE21345129	14							•Screw		
6	VOE422426	1							•Pin		
7	VOE984793	3							Plug		
8	VOE946441	2							Flange screw		
9	VOE947541	2							Washer		
10	VOE20567779	1							Plug		
11	VOE1547255	1							Sealing ring		
12	VOE20844430	1							Lock brace		
13	VOE946440	1							Flange screw		
14	VOE20499612	1							Frame		
15	VOE946472	24							Flange screw		

Date: <b>2014/1/10</b>	Image id: <b>1057070</b>	Catalogue: <b>20593</b>	Model: <b>EC340D L</b>
Brand: <b>Volvo</b>	Serial: <b>210001-</b>	Group/Section: <b>212/200</b>	Title: <b>Cover</b>



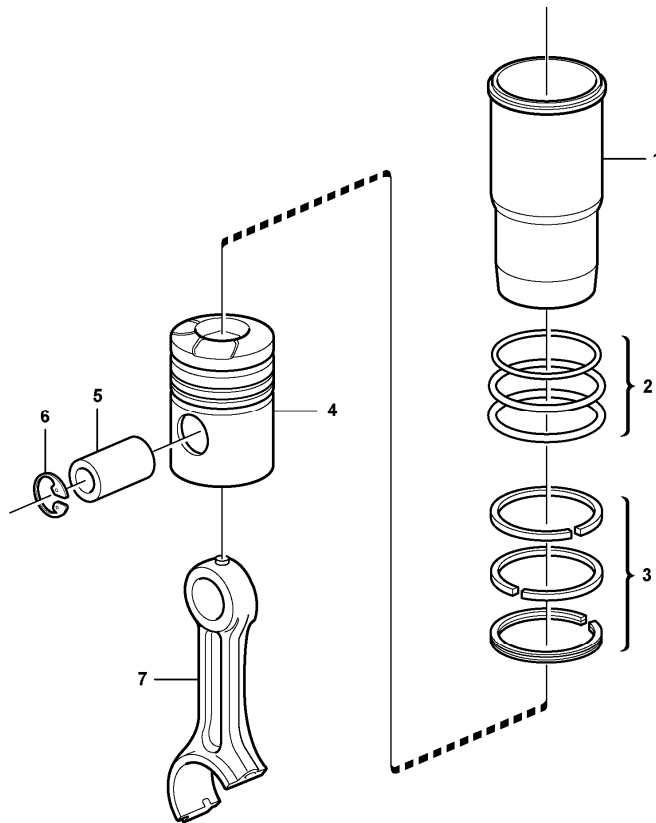
Q1-Q5	Option	Option description	
Q1 8289023 8289891	VOE8289023	Engine D13H STAGE 3B WITH ASSOCIATED EQUIPMENT	

Pos	Part	Q1	Q2	Q3	Q4	Q5	PS	Kit	Description	Option(s)	Remark
	VOE21121486	1					SS		Cover		
	VOE21117109	1					NS		•Cover		
1	VOE20739881	1					NS		••Cover		
2	VOE960632	3							••Plug		
3	VOE13947624	3							••Plane gasket		
4	VOE20979871	1							•Sealing		
5	VOE13948217	14							Screw		L = 45 mm
	VOE13965181	8							Screw		L = 70 mm
6	VOE960631	1							Plug		
7	VOE982724	1							Gasket		



6	VOE13977600	1							Clamp		
7	VOE807257	1							Spacer sleeve		
8	VOE13965216	1							Screw		
9	VOE20580933	1							Hose		L = 80 mm
10	VOE994560	2							Hose clamp		
11	VOE21122541	1							Oil separator		
12	VOE20586427	1							•Valve		
13	VOE21475228	1							•Spare parts kit		
14	VOE21475236	1							•Spare parts kit		
15	VOE20586428	1							•Nipple		
16	VOE20532891	1							Gasket		
17	VOE968892	2							Flange screw		
18	VOE13965184	2							Flange screw		
19	VOE21196220	1							Pipe		
20	VOE994560	1							Hose clamp		
21	VOE13977600	1							Clamp		
22	VOE946440	2							Flange screw		
23	SA9312-10175	1							Clamp		
24	VOE14881962	1							Hose		

Date: <b>2014/1/10</b>	Image id: <b>1056412</b>	Catalogue: <b>20593</b>	Model: <b>EC340D L</b>
Brand: <b>Volvo</b>	Serial: <b>210001-</b>	Group/Section: <b>213/100</b>	Title: <b>Cylinder liner and piston</b>



Volvo Construction  
Equipment  
1056412

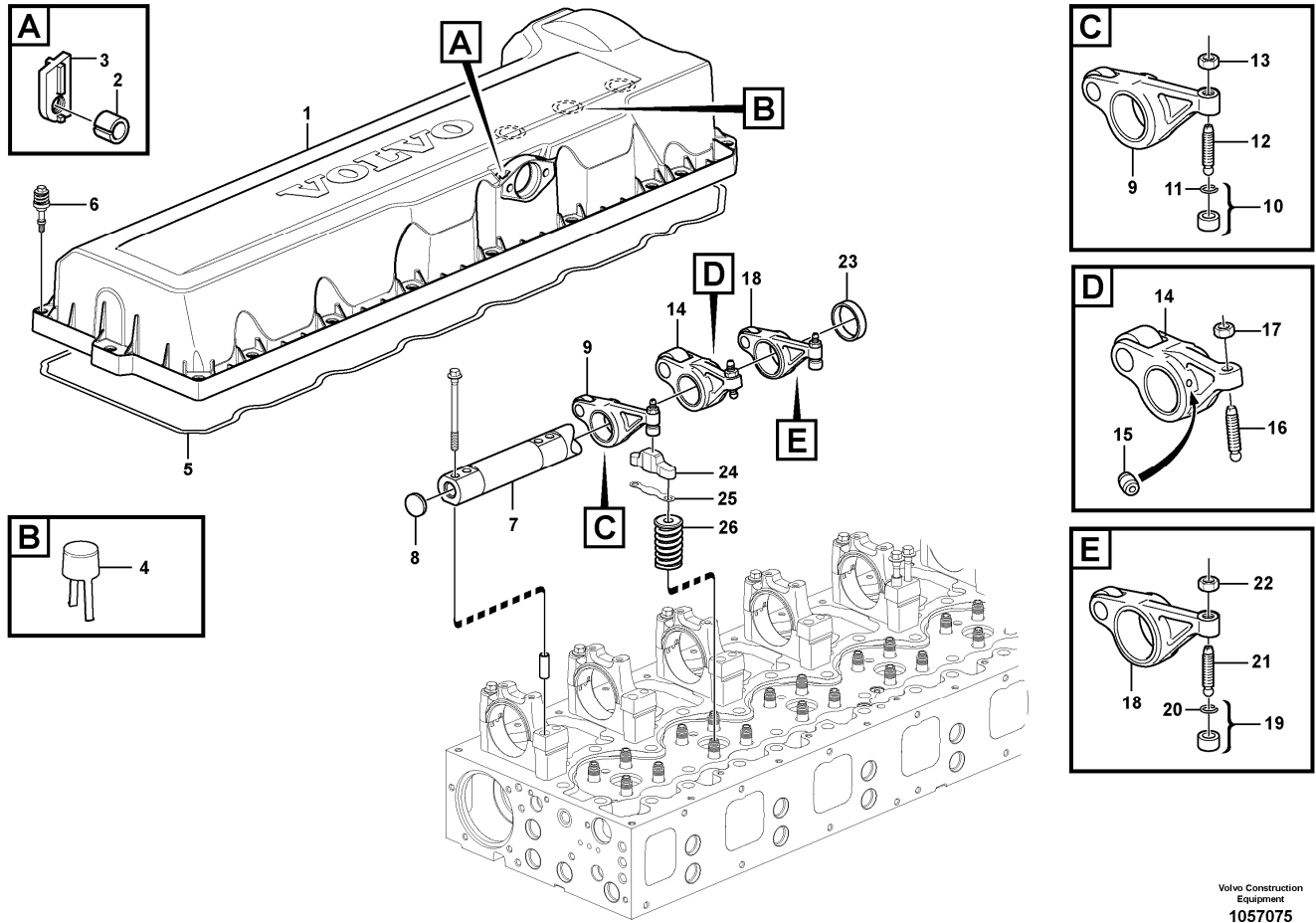
Section option	Kit	Option description
VOE8289891		Engine D13H TIER 4I WITH ASSOCIATED EQUIPMENT
VOE8289023		Engine D13H STAGE 3B WITH ASSOCIATED EQUIPMENT
VOE15049436		Engine D13H-C, US
VOE15117871		Engine D13H-D, EU

Q1-Q5	Option	Option description	
Q1 8289023 8289891	VOE8289023	Engine D13H STAGE 3B WITH ASSOCIATED EQUIPMENT	

Pos	Part	Q1	Q2	Q3	Q4	Q5	PS	Kit	Description	Option(s)	Remark
	VOE21330684	6							Cylinder liner kit		
1	VOE20852790	6					SE		•Cylinder Liner		
2	VOE270950	6							•Sealing kit		
	VOE470922	6							••Seal Ring		UPPER
	VOE470190	12					NS		••Sealing ring		CENTRE

	VOE270950	6							••Sealing kit		LOWER
3	VOE21253763	6							•Piston ring kit		
	VOE21251596	6					NS		••Compression ring		UPPER
	VOE20590309	6					NS		••Compression ring		LOWER
	VOE20568155	6							••Oil scraper ring		
4	VOE21170742	6					SE		•Piston		
5	VOE20569833	6					SE		•Piston Pin		
6	VOE914531	12							•Retaining ring		
7		6							Connecting rod		See ref 216/100

Date: <b>2014/1/10</b>	Image id: <b>1057075</b>	Catalogue: <b>20593</b>	Model: <b>EC340D L</b>
Brand: <b>Volvo</b>	Serial: <b>210001-</b>	Group/Section: <b>214/100</b>	Title: <b>Valve mechanism</b>



Volvo Construction  
Equipment  
1057075

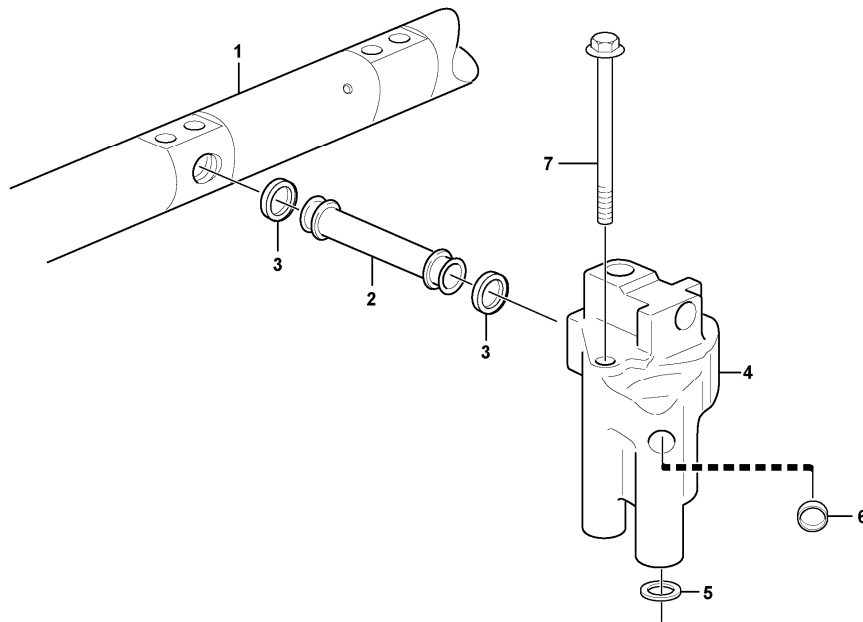
Q1-Q5	Option	Option description	
Q1 8289023 8289891	VOE8289023	Engine D13H STAGE 3B WITH ASSOCIATED EQUIPMENT	

Pos	Part	Q1	Q2	Q3	Q4	Q5	PS	Kit	Description	Option(s)	Remark
	VOE20740683	1							Valve cover		
1	VOE20745844	1					NS		•Valve Cover		
2	VOE20450320	4							•Spacer sleeve		
3	VOE24427518	4							•Nut washer		
4	VOE8131751	3							•Draining bowl		
5	VOE20538793	1							Sealing strip		
6	VOE20739547	20							Flange screw		
7	VOE20510623	1							Rocker arm shaft		EPG
8	VOE980176	2							•Expansion plug		
9	VOE21260905	6							Rocker arm		INLET
10	VOE21054149	6							•Ball socket		

11	VOE944364	6							••O-ring		
12	VOE1546458	6							•Ball stud		
13	VOE13946911	6							•Nut		
14	VOE21266310	6							Rocker arm		INJECTOR
15	VOE3964817	12							•Jet		
16	VOE1546775	6							•Ball stud		
17	VOE1677396	6							•Hexagon nut		
18	VOE21024789	6							Rocker arm		EPG
19	VOE21054149	6							•Ball socket		
20	VOE944364	6							••O-ring		
21	VOE1546458	6							•Ball stud		
22	VOE13946911	6							•Nut		
23	VOE20514249	6							Sleeve		
24	VOE3183207	12							Valve cap		
25	VOE1547967	REQ							Shim		THICK = 2,00 mm
25	VOE1547968	REQ							Shim		THICK = 2,05 mm
25	VOE1547969	REQ							Shim		THICK = 2,10 mm
25	VOE1547970	REQ							Shim		THICK = 2,15 mm
25	VOE1547971	REQ							Shim		THICK = 2,20 mm
25	VOE1547972	REQ							Shim		THICK = 2,25 mm
25	VOE1547973	REQ							Shim		THICK = 2,30 mm
25	VOE1547974	REQ							Shim		THICK = 2,35 mm
25	VOE1547975	REQ							Shim		THICK = 2,40 mm
25	VOE1547976	REQ							Shim		THICK = 2,45 mm
25	VOE1547977	REQ							Shim		THICK = 2,50 mm
25	VOE1547978	REQ							Shim		THICK = 2,55 mm
25	VOE1547979	REQ							Shim		THICK = 2,60 mm
25	VOE1547980	REQ							Shim		THICK = 2,65 mm
25	VOE1547981	REQ							Shim		THICK = 2,70 mm
25	VOE1547982	REQ							Shim		THICK = 2,75 mm
25	VOE1547983	REQ							Shim		THICK = 2,80 mm
25	VOE1547984	REQ							Shim		THICK = 2,85 mm
25	VOE1677347	REQ							Shim		THICK = 2,90 mm
25	VOE1677348	REQ							Shim		THICK = 2,95 mm
25	VOE1677349	REQ							Shim		THICK = 3,00 mm
25	VOE1677350	REQ							Shim		THICK = 3,05 mm
25	VOE1677351	REQ							Shim		THICK = 3,10 mm
25	VOE1677352	REQ							Shim		THICK = 3,15 mm
25	VOE1677353	REQ							Shim		THICK = 3,20 mm
25	VOE1677354	REQ							Shim		THICK = 3,25 mm
25	VOE1677355	REQ							Shim		THICK = 3,30 mm
25	VOE1677356	REQ							Shim		THICK = 3,35 mm
25	VOE1677357	REQ							Shim		THICK = 3,40 mm
25	VOE1677358	REQ							Shim		THICK = 3,45 mm
25	VOE1677359	REQ							Shim		THICK = 3,50 mm
25	VOE1677360	REQ							Shim		THICK = 3,55 mm
25	VOE1677361	REQ							Shim		THICK = 3,60 mm

25	VOE1677362	REQ							Shim		THICK = 3,65 mm
25	VOE1677363	REQ							Shim		THICK = 3,70 mm
25	VOE1677364	REQ							Shim		THICK = 3,75 mm
25	VOE1677365	REQ							Shim		THICK = 3,80 mm
25	VOE1677366	REQ							Shim		THICK = 3,85 mm
25	VOE1677367	REQ							Shim		THICK = 3,90 mm
25	VOE1677368	REQ							Shim		THICK = 3,95 mm
26		12							Valve Spring		See ref 211/200

Date: <b>2014/1/10</b>	Image id: <b>1057172</b>	Catalogue: <b>20593</b>	Model: <b>EC340D L</b>
Brand: <b>Volvo</b>	Serial: <b>210001-</b>	Group/Section: <b>214/200</b>	Title: <b>Intermediate housing VCB</b>

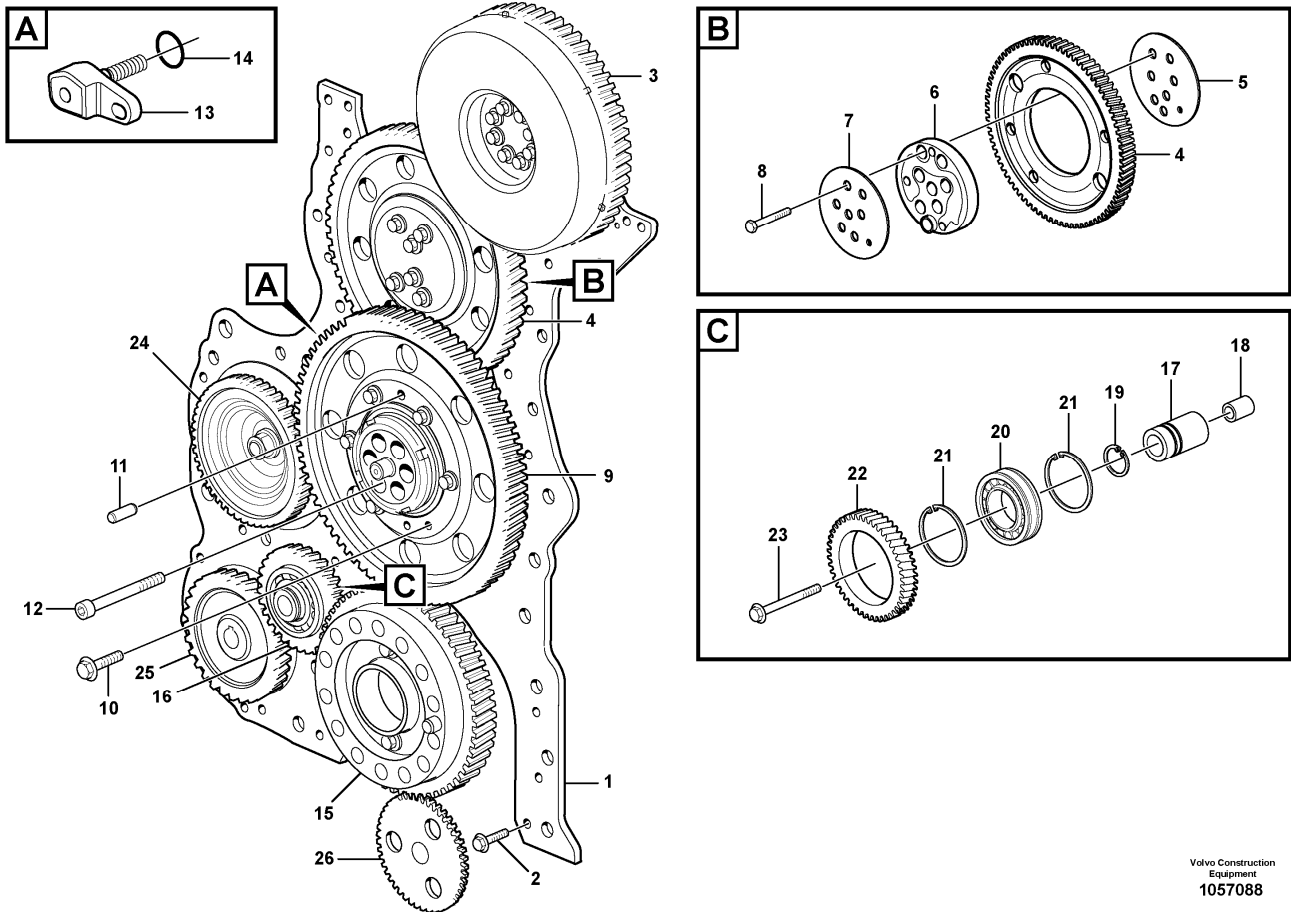


Volvo Construction  
Equipment  
1057172

Q1-Q5	Option	Option description	
Q1 8289023 8289891	VOE8289023	Engine D13H STAGE 3B WITH ASSOCIATED EQUIPMENT	

Pos	Part	Q1	Q2	Q3	Q4	Q5	PS	Kit	Description	Option(s)	Remark
1		1							Rkr Arm Shaft		See ref 214/100
2	VOE20591851	1							Outlet pipe		
3	VOE1677370	2							Sealing ring		
4	VOE21105100	1							Intermediate housing		
	VOE20942060	1					NS		•Housing		
5	VOE20526428	1							•Sealing ring		
6	VOE955082	1							•Cap plug		
7	VOE969225	2							Flange screw		

Date: <b>2014/1/10</b>	Image id: <b>1057088</b>	Catalogue: <b>20593</b>	Model: <b>EC340D L</b>
Brand: <b>Volvo</b>	Serial: <b>210001-</b>	Group/Section: <b>215/100</b>	Title: <b>Timing gear</b>



Volvo Construction  
Equipment  
1057088

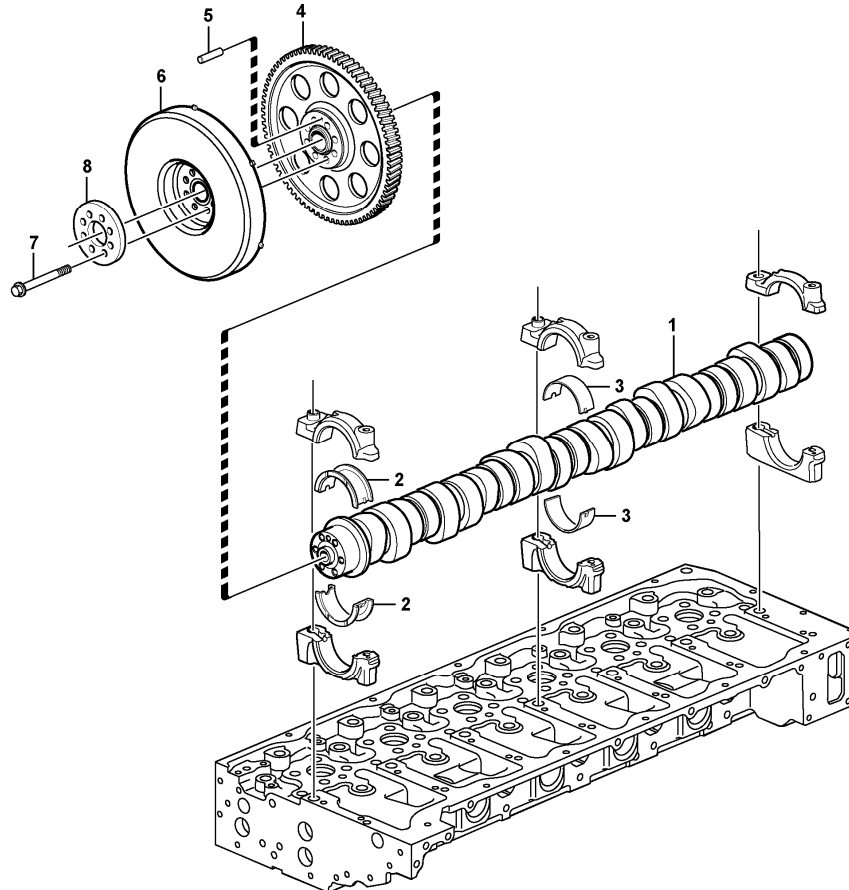
Section option	Kit	Option description
VOE8289891		Engine D13H TIER 4I WITH ASSOCIATED EQUIPMENT
VOE8289023		Engine D13H STAGE 3B WITH ASSOCIATED EQUIPMENT
VOE15049436		Engine D13H-C, US
VOE15117871		Engine D13H-D, EU

Q1-Q5	Option	Option description
Q1 8289023 8289891	VOE8289023	Engine D13H STAGE 3B WITH ASSOCIATED EQUIPMENT

Pos	Part	Q1	Q2	Q3	Q4	Q5	PS	Kit	Description	Option(s)	Remark
1	VOE21381337	1							Timing gear plate		
2	VOE13945444	29							Screw		
3		1							Gear		CAMSHAFT See ref 215/200
4	VOE20850724	1							Idler gear		

5	VOE20487667	1						Thrust washer		
6	VOE20531647	1						Hub		
7	VOE20487676	1						Bearing shield		
8	VOE974615	6						Flange screw		
9	VOE21057051	1						Idler gear		
10	VOE471586	6						•Screw		
11	VOE950564	2						•Pin		
12	VOE20483919	6						Hex. socket screw		
13	VOE20531962	1						Screw		
14	VOE943177	1						O-ring		
15		1						Gear		CRANKSHAFT See ref 216/100
16	VOE21284769	1						Idler gear		
17	VOE21309998	1				NS		•Axle		
18	VOE20508239	1				NS		•Giude		
19	VOE914465	1						•Retaining ring		
20	VOE21284550	1				NS		•Roller Bearing		
21	VOE945504	2				NS		•Snap Ring		
22	VOE8131291	1				NS		•Idler Gear		
23	VOE21050240	1						Flange screw		
24	VOE8131848	1						Gear		COMPRESSOR
25		1						Gear		FUEL PUMP See ref 235/200
26		1						Oil Pump		See ref 221/200

Date: <b>2014/1/10</b>	Image id: <b>1019613</b>	Catalogue: <b>20593</b>	Model: <b>EC340D L</b>
Brand: <b>Volvo</b>	Serial: <b>210001-</b>	Group/Section: <b>215/200</b>	Title: <b>Camshaft</b>

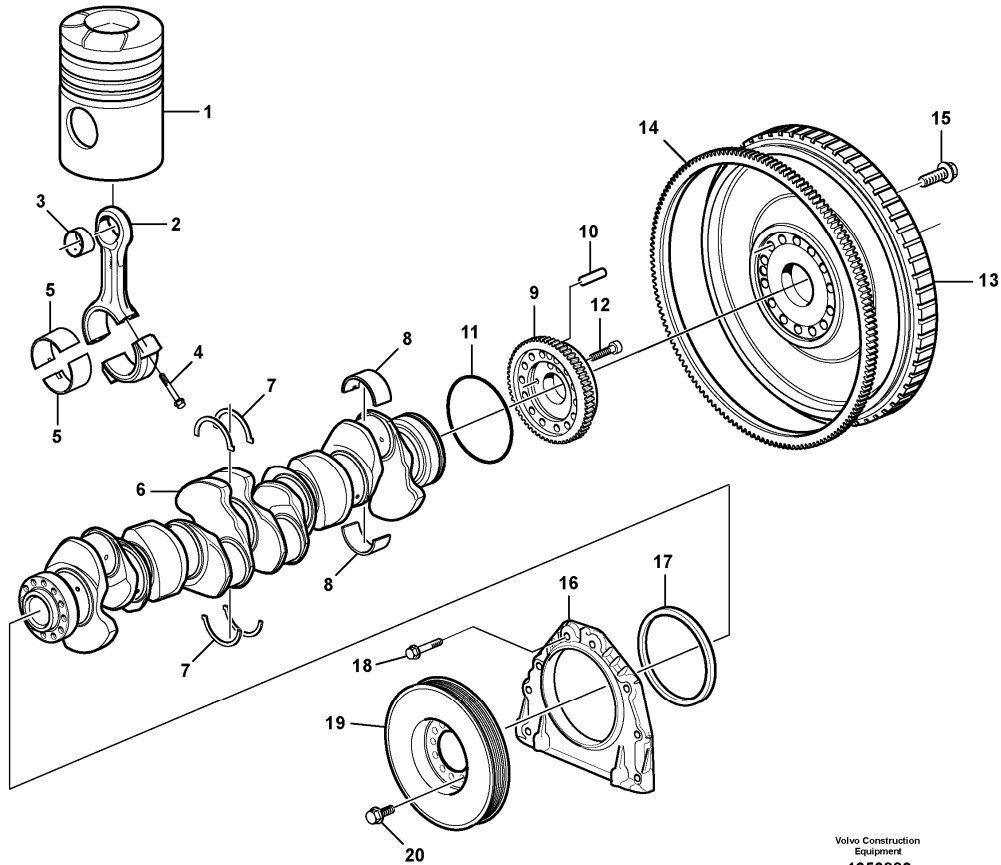


Volvo Construction  
Equipment  
1019613

Q1-Q5	Option	Option description	
Q1 8289023 8289891	VOE8289023	Engine D13H STAGE 3B WITH ASSOCIATED EQUIPMENT	

Pos	Part	Q1	Q2	Q3	Q4	Q5	PS	Kit	Description	Option(s)	Remark
1	VOE21219818	1							Camshaft		
2	VOE20756108	1							Bearing shell kit		REAR
3	VOE20999623	6							Bearing shell kit		No 1 - 6
4	VOE20891469	1							Gear		
5	VOE950553	1							•Pin		
6	VOE21473105	1							Vibration damper		
7	VOE8192804	8							Screw		
8	VOE21294882	1							Spacer		

Date: <b>2014/1/10</b>	Image id: <b>1056883</b>	Catalogue: <b>20593</b>	Model: <b>EC340D L</b>
Brand: <b>Volvo</b>	Serial: <b>210001-</b>	Group/Section: <b>216/100</b>	Title: <b>Crankshaft and related parts</b>



Volvo Construction  
Equipment  
1056883

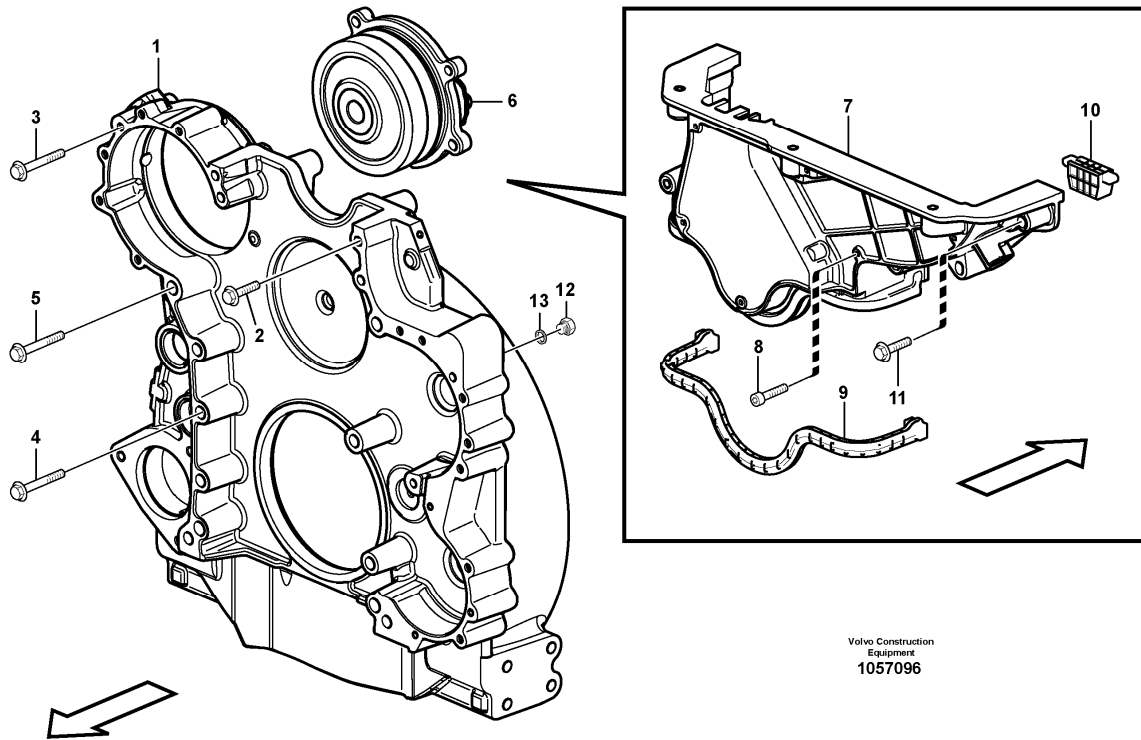
Section option	Kit	Option description
VOE8289891		Engine D13H TIER 4I WITH ASSOCIATED EQUIPMENT
VOE8289023		Engine D13H STAGE 3B WITH ASSOCIATED EQUIPMENT
VOE15049436		Engine D13H-C, US
VOE15117871		Engine D13H-D, EU

Q1-Q5	Option	Option description	
Q1 8289023 8289891	VOE8289023	Engine D13H STAGE 3B WITH ASSOCIATED EQUIPMENT	

Pos	Part	Q1	Q2	Q3	Q4	Q5	PS	Kit	Description	Option(s)	Remark
1		6					SE		Piston		See ref 213/100
	VOE20876840	6							Connecting rod		
2	VOE20562855	6					NS		•Connecting Rod		
3	VOE20730398	6							•Bushing		
4	VOE20486228	24							•Screw		

5	VOE20580558	6						Big-end bearing kit		STD
	VOE20711963	6						Big-end Bearing		THICK = 0,25 U SZ
	VOE20711964	6						Big-end Bearing		THICK = 0,50 U SZ
	VOE20711965	6					NS	Bearing		THICK = 0,75 U SZ
	VOE20711966	6						Big-end Bearing		THICK = 1,00 U SZ
	VOE20711967	6					NS	Bearing		THICK = 1,25 U SZ
6	VOE20486222	1						Crankshaft		
7	VOE21267844	1						Thrust washer		STD
	VOE21267847	1						Thrust washer		THICK = 0,1 O SZ
8	VOE20530916	7						Mn Bearing Kit		STD
	VOE20578624	7						Main Bearing		THICK = 0,25 U SZ
	VOE20578625	7						Main Bearing		THICK = 0,50 U SZ
	VOE20578626	7					OP	Main Bearing		THICK = 0,75 U SZ
	VOE20578627	7						Main Bearing		THICK = 1,00 U SZ
	VOE20578628	7						Main Bearing		THICK = 1,25 U SZ
	VOE20801971	1						Gear		
9	VOE20480504	1					NS	•Gear		
10	VOE950656	1					NS	•Pin		
11	VOE948977	1						O-ring		
12	VOE13947760	2						Screw		
	VOE15180087	1						Flywheel		(VOE15032862)
13	VOE15063950	1					NS	•Flywheel		
14	VOE20711957	1						•Ring gear		
15	VOE21344746	14						Screw		
	VOE21054681	1						Cover		
16	VOE20777236	1					NS	•Cover		
17	VOE21347087	1						•Crankshaft seal		
18	VOE946671	8						Flange screw		
19	VOE20792248	1						Vibration damper		
20	VOE13965191	6						Screw		

Date: <b>2014/1/10</b>	Image id: <b>1057096</b>	Catalogue: <b>20593</b>	Model: <b>EC340D L</b>
Brand: <b>Volvo</b>	Serial: <b>210001-</b>	Group/Section: <b>216/200</b>	Title: <b>Flywheel housing</b>



Volvo Construction  
Equipment  
1057096

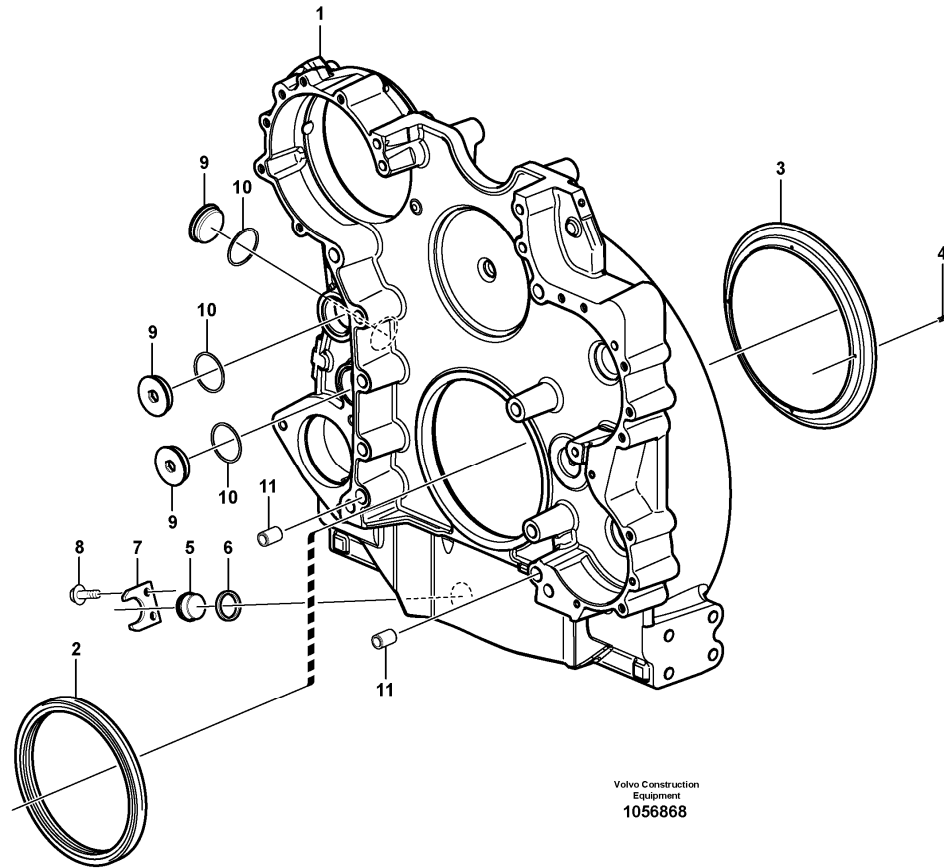
Section option	Kit	Option description
VOE8289891		Engine D13H TIER 4I WITH ASSOCIATED EQUIPMENT
VOE8289023		Engine D13H STAGE 3B WITH ASSOCIATED EQUIPMENT
VOE15049436		Engine D13H-C, US
VOE15117871		Engine D13H-D, EU

Q1-Q5	Option	Option description	
Q1 8289023 8289891	VOE8289023	Engine D13H STAGE 3B WITH ASSOCIATED EQUIPMENT	

Pos	Part	Q1	Q2	Q3	Q4	Q5	PS	Kit	Description	Option(s)	Remark
1		1							Flywheel Hsg		See ref 216/300
2	VOE946671	13							Flange screw		M8 x 30 mm
3	VOE969313	3							Flange screw		M10 x 110 mm
4	VOE13966367	7							Flange screw		M14 x 100 mm
5	VOE968592	2							Flange screw		M16 x 110 mm

6		1							Bearing Housing		See ref 482/100
7	VOE21102692	1							Timing gear cover		
8	VOE940326	4							•Allen Hd Screw		
	VOE1161277	REQ							•Sealant		10 ml
9	VOE20817742	1							Gasket		
10	VOE21185086	2							Sealing		
11	VOE13973924	5							Flange screw		
12	VOE960630	1							Plug		
13	VOE20852764	1							Sealing ring		

Date: <b>2014/1/10</b>	Image id: <b>1056868</b>	Catalogue: <b>20593</b>	Model: <b>EC340D L</b>
Brand: <b>Volvo</b>	Serial: <b>210001-</b>	Group/Section: <b>216/300</b>	Title: <b>Flywheel housing</b>



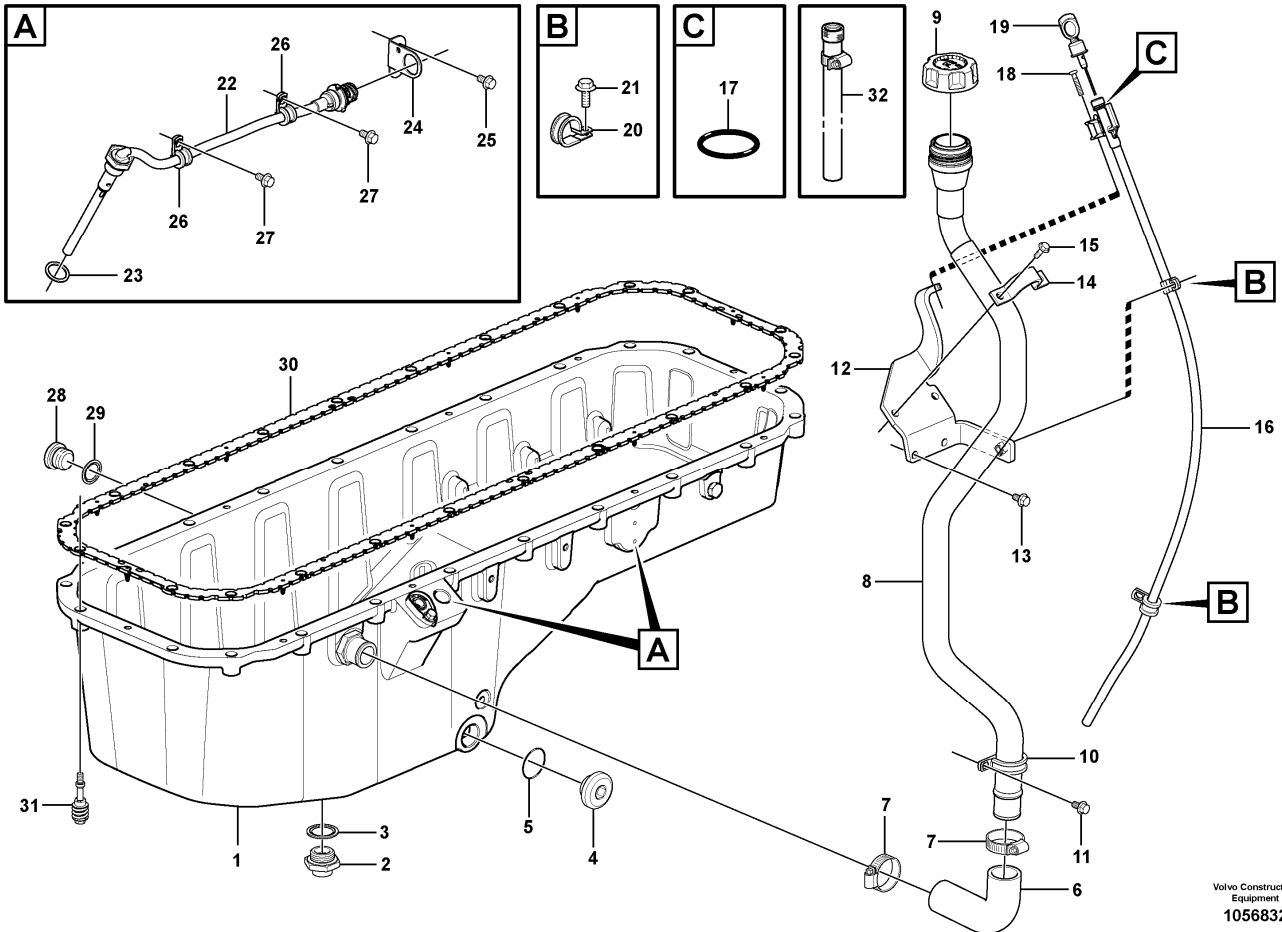
Volvo Construction  
Equipment  
1056868

Q1-Q5	Option	Option description	
Q1 8289023 8289891	VOE8289023	Engine D13H STAGE 3B WITH ASSOCIATED EQUIPMENT	

Pos	Part	Q1	Q2	Q3	Q4	Q5	PS	Kit	Description	Option(s)	Remark
	VOE15106970	1							Flywheel housing		
1	VOE15106957	1					NS		•Flywheel Hsg		
2	VOE1543896	1							•Sealing ring		
3	VOE15004855	1							•Oil Dftr Ring		
4	VOE13905650	4							•Drive screw		
5	VOE11031785	1							•Plug		
6	VOE421158	1							•Sealing ring		
7	VOE11031769	1							•Lock washer		
8	VOE946440	2							•Flange screw		
9	VOE15134976	3							•Plug		
10	VOE1556907	3							•Gasket		

11	VOE1547940	2							•Sleeve		
	VOE13934511	1					NS		•Part Plate		
	VOE950891	4							•Drive screw		

Date: <b>2014/1/10</b>	Image id: <b>1056832</b>	Catalogue: <b>20593</b>	Model: <b>EC340D L</b>
Brand: <b>Volvo</b>	Serial: <b>210001-</b>	Group/Section: <b>217/100</b>	Title: <b>Oil sump with mounting parts</b>



Volvo Construction  
Equipment  
1056832

Section option	Kit	Option description
VOE8289891		Engine D13H TIER 4I WITH ASSOCIATED EQUIPMENT
VOE8289023		Engine D13H STAGE 3B WITH ASSOCIATED EQUIPMENT
VOE15049436		Engine D13H-C, US
VOE15117871		Engine D13H-D, EU

Q1-Q5	Option	Option description	
Q1 8289023 8289891	VOE8289023	Engine D13H STAGE 3B WITH ASSOCIATED EQUIPMENT	

Pos	Part	Q1	Q2	Q3	Q4	Q5	PS	Kit	Description	Option(s)	Remark
1		1							Oil Pan		See ref 217/200
2	VOE15128018	1							Valve		
3	VOE982509	1							•Gasket		
4	VOE11127354	1							Plug		
5	VOE13948610	1							O-ring		



**Suggest:**

**For more complete manuals. Please go to the home page.**

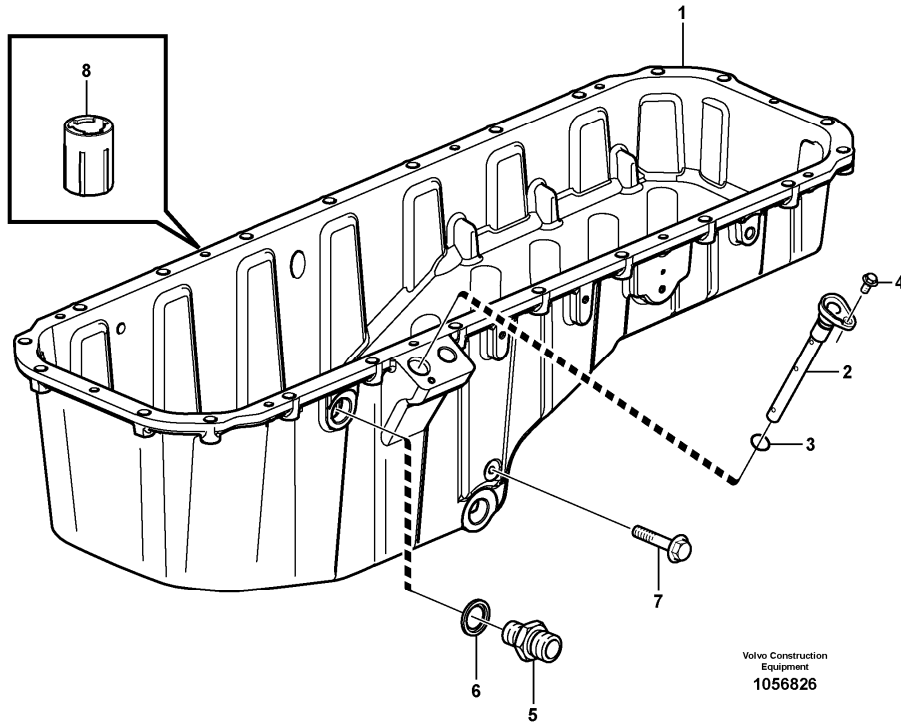
**<https://www.ebooklibonline.com>**

**If the above button click is invalid. Please download this document first, and then click the above link to download the complete manual.**

**Thank you so much for reading**

6	VOE15105168	1							Hose		
7	VOE994561	2							Hose clamp		
8	VOE15124511	1							Oil filler pipe		
9	VOE20807510	1							Oil filler cap		
10	VOE949850	1							Clamp		
11	VOE946440	1							Flange screw		
12	VOE15124487	1					NS		Bracket		
13	VOE13946173	2							Screw		
14	VOE15148247	1							Clamp		
15	VOE13945444	2							Screw		
16	VOE15124561	1							Pipe		
17	VOE944124	1							•O-ring		
18	VOE975371	1							Six point socket screw		
19	VOE15124551	1							Oil dipstick		
20	VOE13949746	2							Clamp		
21	VOE946440	1							Flange screw		L = 16 mm
	VOE13946173	1							Screw		L = 20 mm
22	VOE11423761	1							Oil level sensor		
23	VOE949329	1							Gasket		
24	VOE3988328	1							Bracket		
25	VOE946440	1							Flange screw		
26	VOE13949746	2							Clamp		
27	VOE946440	2							Flange screw		
28	VOE960630	1							Plug		
29	VOE20852764	1							Sealing ring		
30	VOE20515881	1							Sealing strip		
31	VOE20739547	22							Flange screw		
32	VOE11127320	1							Hose		

Date: <b>2014/1/10</b>	Image id: <b>1056826</b>	Catalogue: <b>20593</b>	Model: <b>EC340D L</b>
Brand: <b>Volvo</b>	Serial: <b>210001-</b>	Group/Section: <b>217/200</b>	Title: <b>Oil sump</b>



Q1-Q5	Option	Option description	
Q1 8289023 8289891	VOE8289023	Engine D13H STAGE 3B WITH ASSOCIATED EQUIPMENT	

Pos	Part	Q1	Q2	Q3	Q4	Q5	PS	Kit	Description	Option(s)	Remark
	VOE15185407	1							Oil pan		(VOE15021682)
1	VOE15036085	1					NS		•Oil Pan		
2	VOE21523327	1							•Pipe		
3		1					NS		••O-ring		
4	VOE946440	1							•Flange screw		
5	VOE11162582	1							•Nipple		
6	VOE982509	1							•Gasket		
7	VOE13965220	2							•Screw		
8	VOE15127201	10					NS		•Retainer		

**<https://www.ebooklibonline.com>**

Hello dear friend!

Thank you very much for reading.

Enter the link into your browser.

The full manual is available for immediate download.

**<https://www.ebooklibonline.com>**