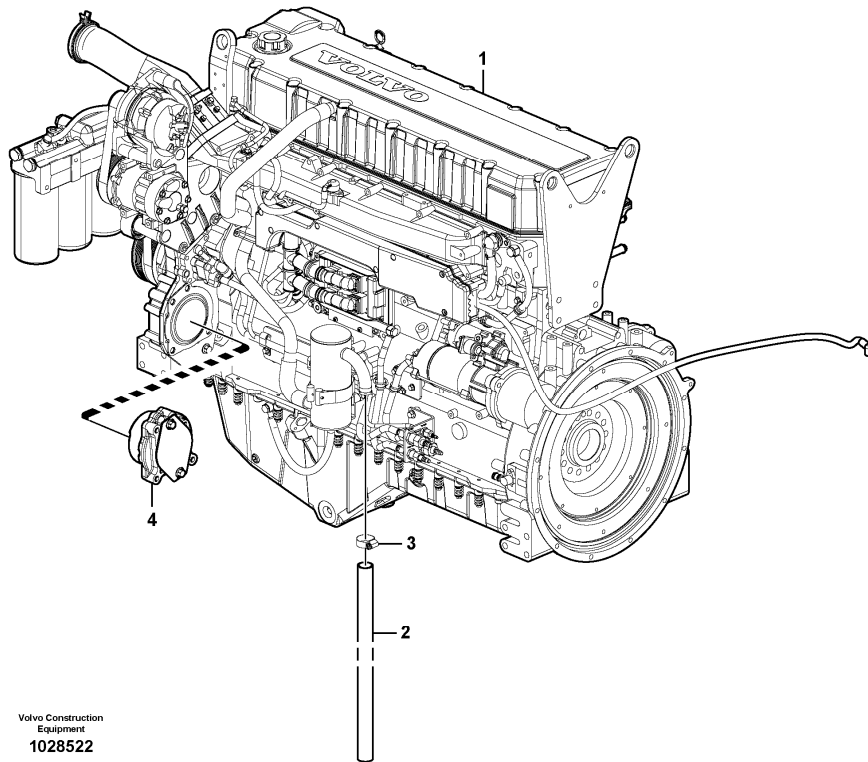


Date: <b>2014/1/8</b>	Image id: <b>1028522</b>	Catalogue: <b>20100</b>	Model: <b>EC330C L</b>
Brand: <b>Volvo</b>	Serial: <b>110001-, 140001-</b>	Group/Section: <b>210/100</b>	Title: <b>Engine</b>

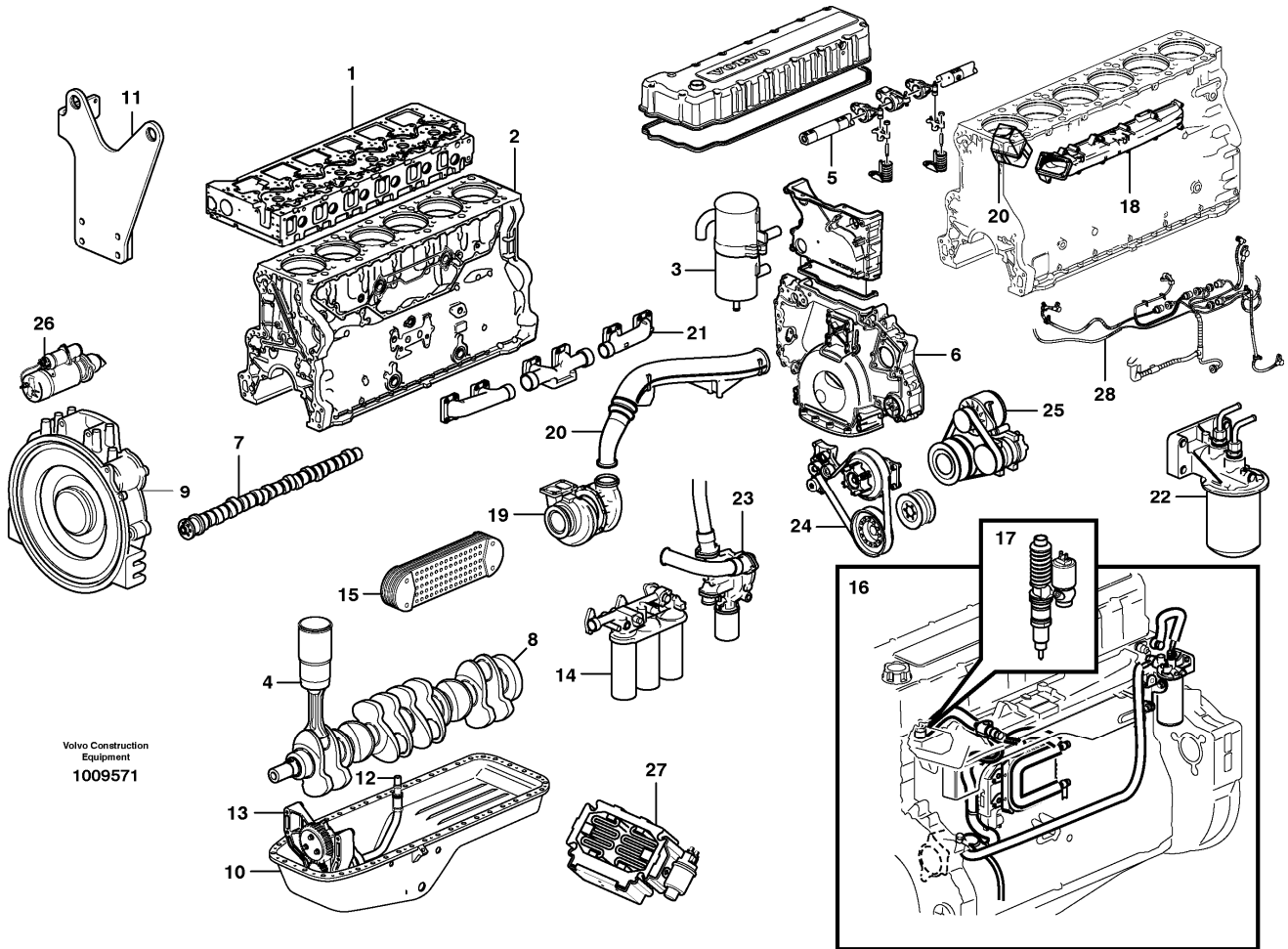


Section option	Kit	Option description
VOE8280231		Engine with Epa label EMISSION CERTIFICATED FROM EU&EPA
VOE8281065		Basic Machine EC330C

Q1-Q5	Option	Option description	
Q1 8280231	VOE8280231	Engine with Epa label EMISSION CERTIFICATED FROM EU&EPA	
Q2 8281065	VOE8281065	Basic Machine EC330C	

Pos	Part	Q1	Q2	Q3	Q4	Q5	PS	Kit	Description	Option(s)	Remark
1		1					SS		Engine		(VOE8188756) See ref 210/200
2	VOE14881131	1							Hose		
3	SA9312-10175	1							Clamp		
4			1						Power Take-off		

Date: <b>2014/1/8</b>	Image id: <b>1009571</b>	Catalogue: <b>20100</b>	Model: <b>EC330C L</b>
Brand: <b>Volvo</b>	Serial: <b>110001-, 140001-</b>	Group/Section: <b>210/200</b>	Title: <b>Engine 8280231</b>



Section option	Kit	Option description
VOE8280231		Engine with Epa label EMISSION CERTIFICATED FROM EU&EPA

Q1-Q5	Option	Option description
Q1 8188768	VOE8188768	Engine D12DEBE3
Q2 8188756	VOE8188756	Engine D12D TIER 3
Q3 8188757	VOE8188757	Engine D12D-P

Pos	Part	Q1	Q2	Q3	Q4	Q5	PS	Kit	Description	Option(s)	Remark
	VOE8188768	1					SS		Engine		D12DEBE3 S/N - 110052 KOR
	VOE8188756		1				SS		Engine		D12D-H S/N 110053 - 110064 KOR S/N 140001 - 140005 USA
	VOE8188757			1					Engine		D12D-P S/N 110065 -

1		1	1	1					•Cylinder head	See ref 211/100
2		1	1	1					•Cylinder block	See ref 212/100
3		1	1	1					•Crankcase ventilation	See ref 212/300
4		6	6	6					•Cylinder liner	See ref 213/100
5		1	1	1					•Valve mechanism	See ref 214/100
6		1	1	1					•Timing gear casing	See ref 215/100
7		1	1	1					•Camshaft	See ref 215/200
8		1	1	1					•Crankshaft	See ref 216/100
9		1	1	1					•Flywheel housing	See ref 216/200
10		1	1	1					•Oil sump	See ref 217/100
11		1	1	1					•Engine mounting	See ref 218/200
12		1	1	1					•Lubricating system	See ref 221/100
13		1	1	1					••Oil pump	See ref 221/200
14		1	1	1					•Oil filter	See ref 222/100
15		1	1	1					•Oil cooler	See ref 223/100
16		1	1	1					•Fuel pipes	See ref 235/200
17		1	1	1					••Injector	See ref 237/300
18		1	1	1					•Inlet pipe	See ref 251/100
19		1	1	1					•Turbocharger	See ref 255/100
20		1	1	1					•Charge air cooler	See ref 258/100
21		1	1	1					•Exhaust pipe	See ref 251/100
22		1	1	1					•Coolant filter	See ref 261/700
23		1	1	1					•Water pump and thermo	See ref 262/100
24		1	1	1					•Belt transmission	See ref 263/100
25		1	1	1					•Alternator with fitti	See ref 321/100
26		1	1	1					•Starter motor	See ref 331/100
27		1	1	1					•Starter Element	See ref 333/200
28		1	1	1					•Cable harness, ECU	See ref 371/300

**<https://www.ebooklibonline.com>**

Hello dear friend!

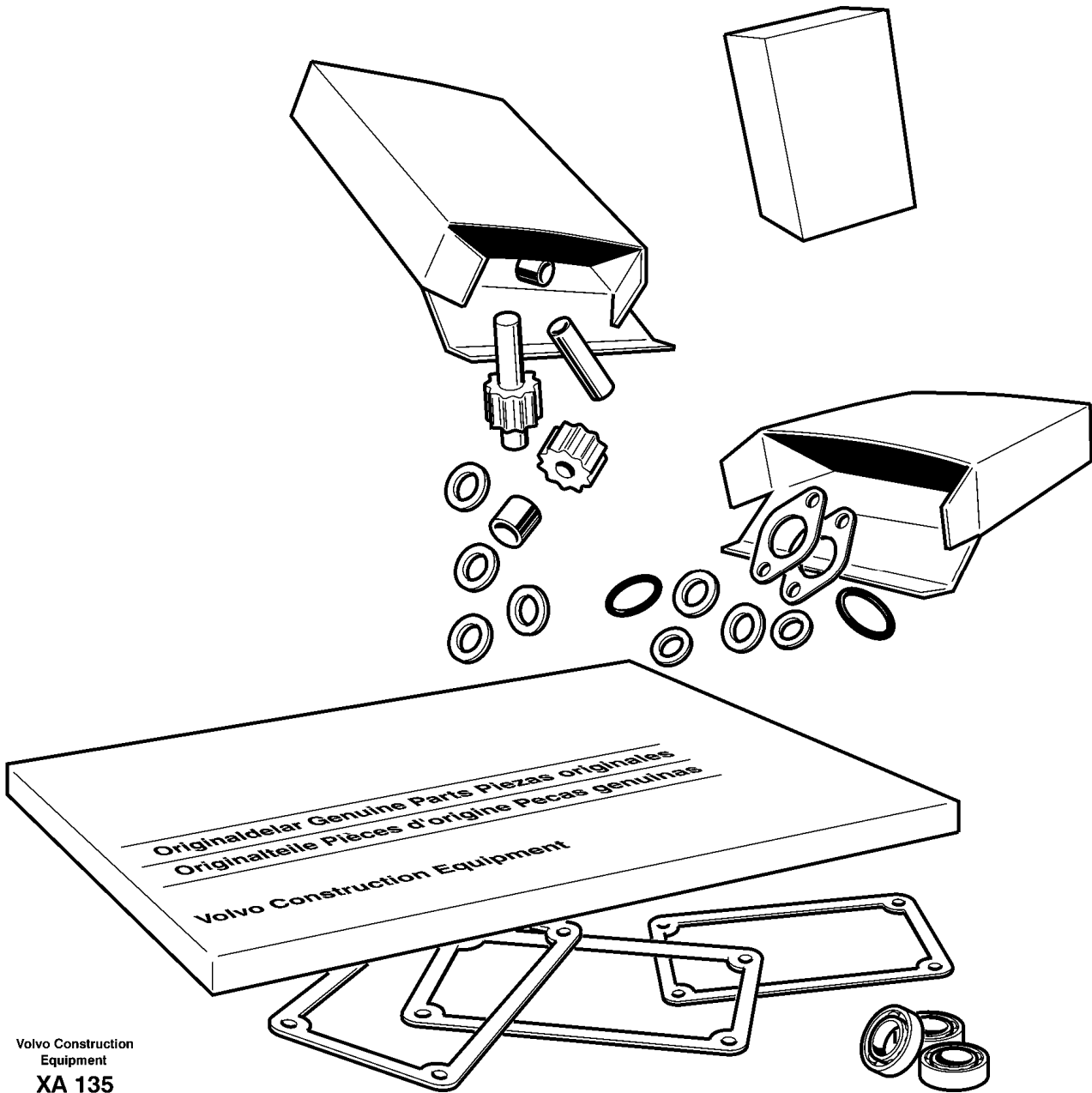
Thank you very much for reading.

Enter the link into your browser.

The full manual is available for immediate download.

**<https://www.ebooklibonline.com>**

Date: <b>2014/1/8</b>	Image id: <b>XA135</b>	Catalogue: <b>20100</b>	Model: <b>EC330C L</b>
Brand: <b>Volvo</b>	Serial: <b>110001-, 140001-</b>	Group/Section: <b>210/300</b>	Title: <b>Repair kits for engine</b>



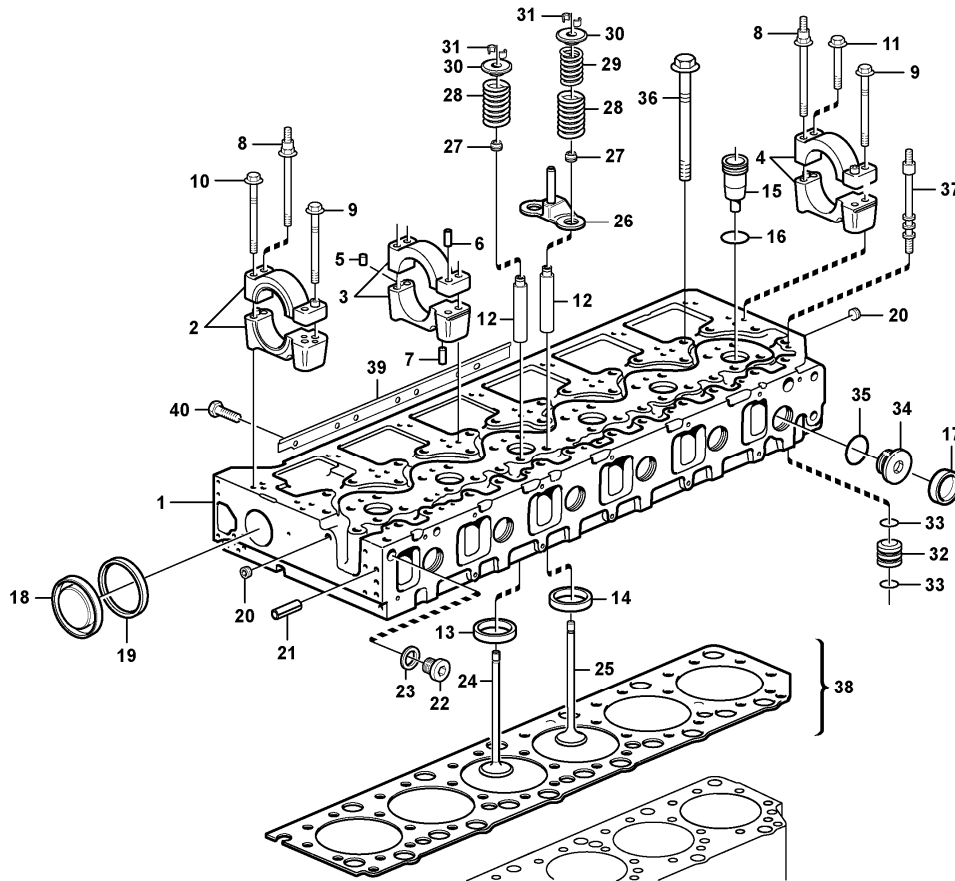
Volvo Construction  
Equipment  
**XA 135**

Section option	Kit	Option description
VOE8280231		Engine with Epa label EMISSION CERTIFICATED FROM EU&EPA

Q1-Q5	Option	Option description
Q1 8280231	VOE8280231	Engine with Epa label EMISSION CERTIFICATED FROM EU&EPA

Pos	Part	Q1	Q2	Q3	Q4	Q5	PS	Kit	Description	Option(s)	Remark
	VOE3099100	1							Gasket kit		FOR CYLINDER HEAD See ref 211/100
	VOE276939	6					SS		Cylinder liner kit		See ref 213/100
	VOE270950	6							•Sealing kit		
	VOE276949	6							•Piston ring kit		
	VOE276630	1							Bearing shell kit		CAMSHAFT See ref 215/200
		6							Big end brg kit		See ref 216/100
		7							Mn bearing kit		
		1							Thrust washer kit		
	VOE11127584	1							Gasket		OIL PAN See ref 217/100
	VOE3092642	1							De-carbonizing kit		FOR DECARBONIZING
	VOE3964604	16							•Bushing		
	VOE859171	24							•Valve seal		
	VOE21070576	1							•Sealing strip		(VOE8170116)
	VOE1544710	2							•Sealing ring		
	VOE1547252	1							•Sealing ring		
	VOE1547254	2							•Sealing ring		
	VOE1636309	1							•Sealing ring		
	VOE1677370	2							•Sealing ring		
	VOE3165097	1							•Sealing ring		
	VOE20714247	1							•Seg moulding		(VOE8170452)
	VOE7011996	7							•Gasket		
	VOE8149301	1							•Gasket		
	VOE8170473	1							•Gasket		
	VOE8170519	1							•Gasket		
	VOE1675841	1							•Gasket		
	VOE949659	12							•O-ring		
	VOE3165747	6							•O-ring		
	VOE13949656	1							•O-ring		

Date: <b>2014/1/8</b>	Image id: <b>1056212</b>	Catalogue: <b>20100</b>	Model: <b>EC330C L</b>
Brand: <b>Volvo</b>	Serial: <b>110001-, 140001-</b>	Group/Section: <b>211/100</b>	Title: <b>Cylinder head</b>



Volvo Construction  
Equipment  
1056212

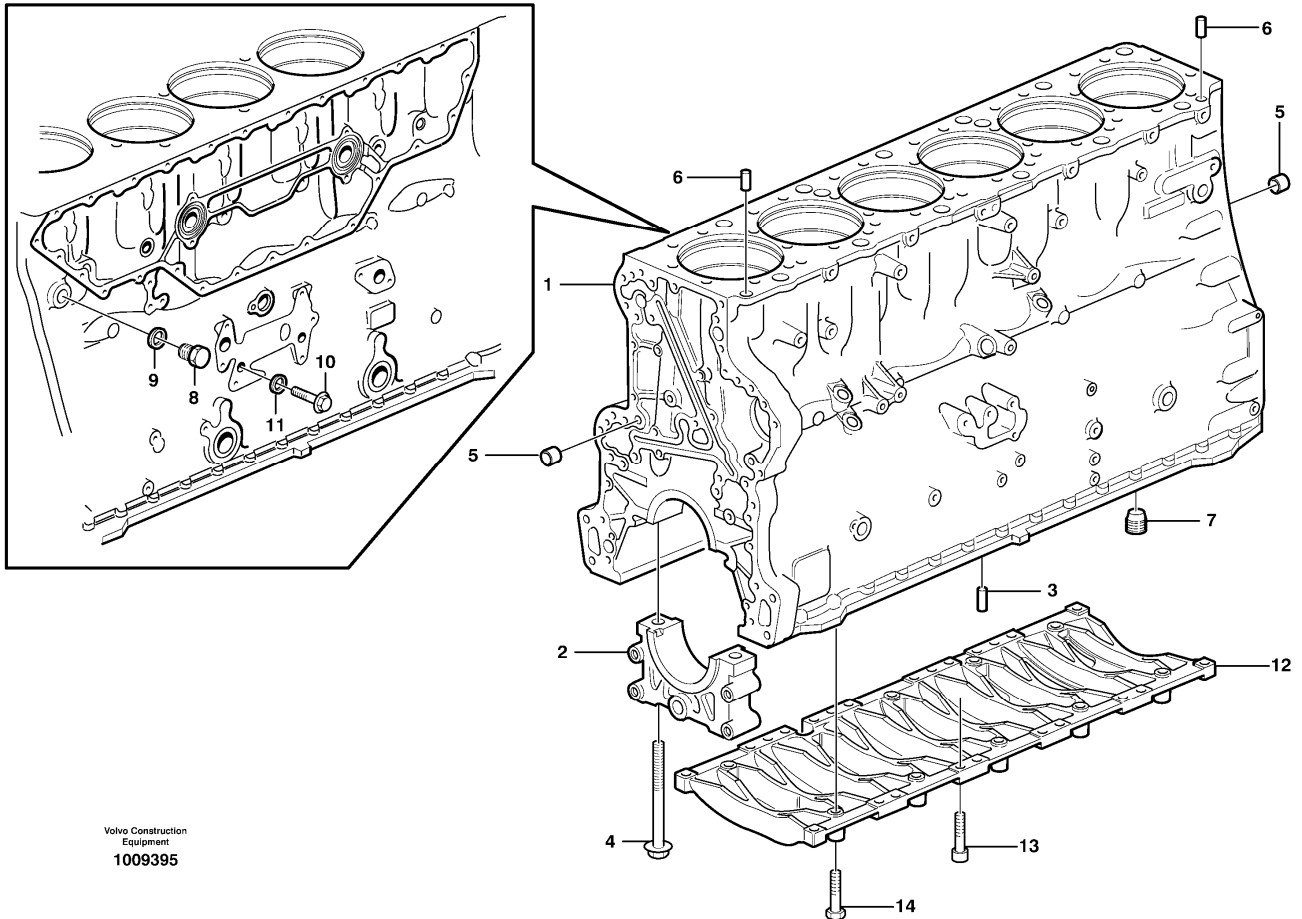
Section option	Kit	Option description
VOE8188756		Engine D12D TIER 3
VOE8188757		Engine D12D-P
VOE8188768		Engine D12DEB3
VOE8280231		Engine with Epa label EMISSION CERTIFICATED FROM EU&EPA

Q1-Q5	Option	Option description	
Q1 8280231	VOE8280231	Engine with Epa label EMISSION CERTIFICATED FROM EU&EPA	
Q2 8280231	VOE8280231	Engine with Epa label EMISSION CERTIFICATED FROM EU&EPA	

Pos	Part	Q1	Q2	Q3	Q4	Q5	PS	Kit	Description	Option(s)	Remark
	VOE20560799	1					SS		Cylinder head		
	VOE21086450		1						Cylinder head		
	VOE24426421	1	1				SE		•Cylinder head		
1	VOE20478371	1	1				OP		••Cylinder head		
2	VOE3165130	1	1						••Bearing housing		

3	VOE3165133	5	5						••Bearing housing		
4	VOE3165136	1	1						••Bearing housing		
5	VOE950542	7	7						•••Pin		
6	VOE1677189	7	7						•••Pin		
7	VOE950562	14	14						••Pin		
8	VOE21344812	7	7						••Stud		
9	VOE21344776	14	14						••Screw		
10	VOE21344752	1	1						••Screw		
11	VOE1677283	6	6						••Screw		
12	VOE20817648	24	24						••Valve guide		(VOE20460636)
13	VOE20459329	12	12						••Valve seat		STD, INLET
14	VOE20412798	12	12						••Valve seat		STD, EXHAUST
15	VOE3183368	6	6						••Sleeve		
16	VOE20536487	6	6						••O-ring		
17	VOE8131707	11	11						••Cap plug		
18	VOE8170553	1	1						••Cap plug		
19	VOE1544710	1	1						•Sealing ring		
20	VOE13968062	2							•Plug		
20	VOE990830		2						•Plug		
21	VOE422426	1	1						•Pin		
22	VOE20441335	1	1						•Plug		
23	VOE947281	1	1						•Gasket		
24	VOE20459326	12	12						•Inlet valve		
25	VOE20441486	12	12						•Exhaust Valve		
26	VOE1677963	6							•Guide pin		
27	VOE859171	24	24						•Valve seal		
28	VOE3183210	24	24						•Valve spring		ENG - 647540
28	VOE21310068	24	24						•Valve spring		ENG 647541 -
29	VOE3183211	12	12						•Valve spring		
30	VOE1546487	24	24						•Valve spring washer		
31	VOE1677875	48	48						•Valve sleeve		
32	VOE20463179	1	1						•Adapter		
33	VOE13949721	2	2						•O-ring		
34	VOE3165025	1	1				NS		•Plug		
34	VOE3155171	1	1						••Plug		
35	VOE949659	1	1						••O-ring		
36	VOE1547419	38	38						Screw		ENG - 649456
36	VOE21345131	38	38						Screw		ENG 649457 -
37	VOE8148863	9	9						Stud		ENG - 651827
37	VOE21344784	9	9						Stud		ENG 651828 -
38	VOE3099100	1	1						Gasket kit		
38	VOE20412953	1	1						•Gasket		
39	VOE20566300	1	1				OP		Heat shield		
40	VOE946441	2	2						Flange screw		
	VOE990831	1	1						Plug		

Date: <b>2014/1/8</b>	Image id: <b>1009395</b>	Catalogue: <b>20100</b>	Model: <b>EC330C L</b>
Brand: <b>Volvo</b>	Serial: <b>110001-, 140001-</b>	Group/Section: <b>212/100</b>	Title: <b>Cylinder block</b>



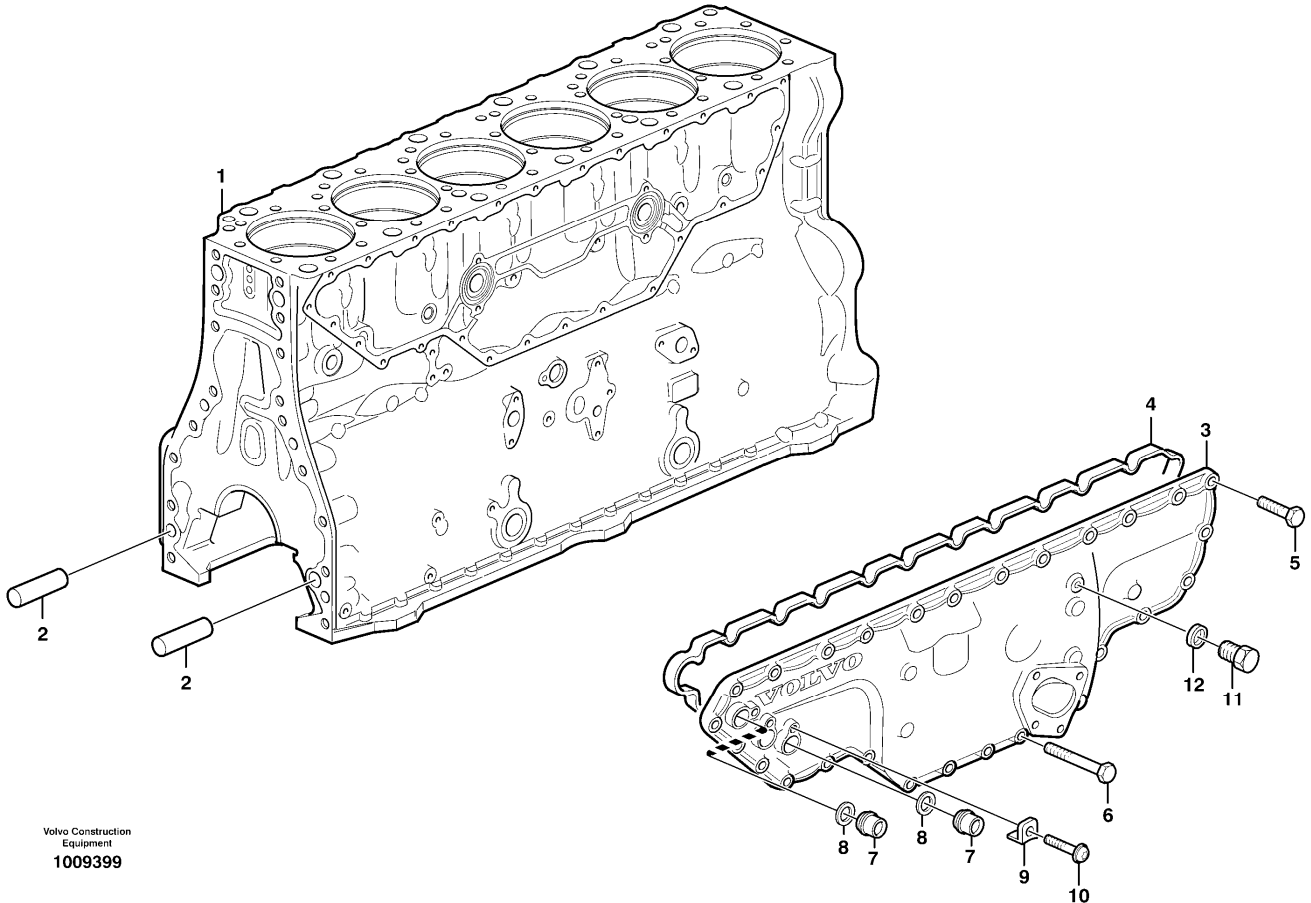
Section option	Kit	Option description
VOE8280231		Engine with Epa label EMISSION CERTIFICATED FROM EU&EPA

Q1-Q5	Option	Option description	
Q1 8280231	VOE8280231	Engine with Epa label EMISSION CERTIFICATED FROM EU&EPA	

Pos	Part	Q1	Q2	Q3	Q4	Q5	PS	Kit	Description	Option(s)	Remark
	VOE8130120	1					SS		Cylinder block		
1	VOE8130121	1					NS		•Cylinder Block		
2		7					NS		•Cap		
3	VOE422426	1							•Pin		
4	VOE1547040	14							•Screw		
5	VOE981735	3							Cap plug		
6	VOE8170389	2							Guide sleeve		
7	VOE8170666	1							Plug		
8	VOE13960634	1							Plug		



Date: <b>2014/1/8</b>	Image id: <b>1009399</b>	Catalogue: <b>20100</b>	Model: <b>EC330C L</b>
Brand: <b>Volvo</b>	Serial: <b>110001-, 140001-</b>	Group/Section: <b>212/200</b>	Title: <b>Cylinder block</b>



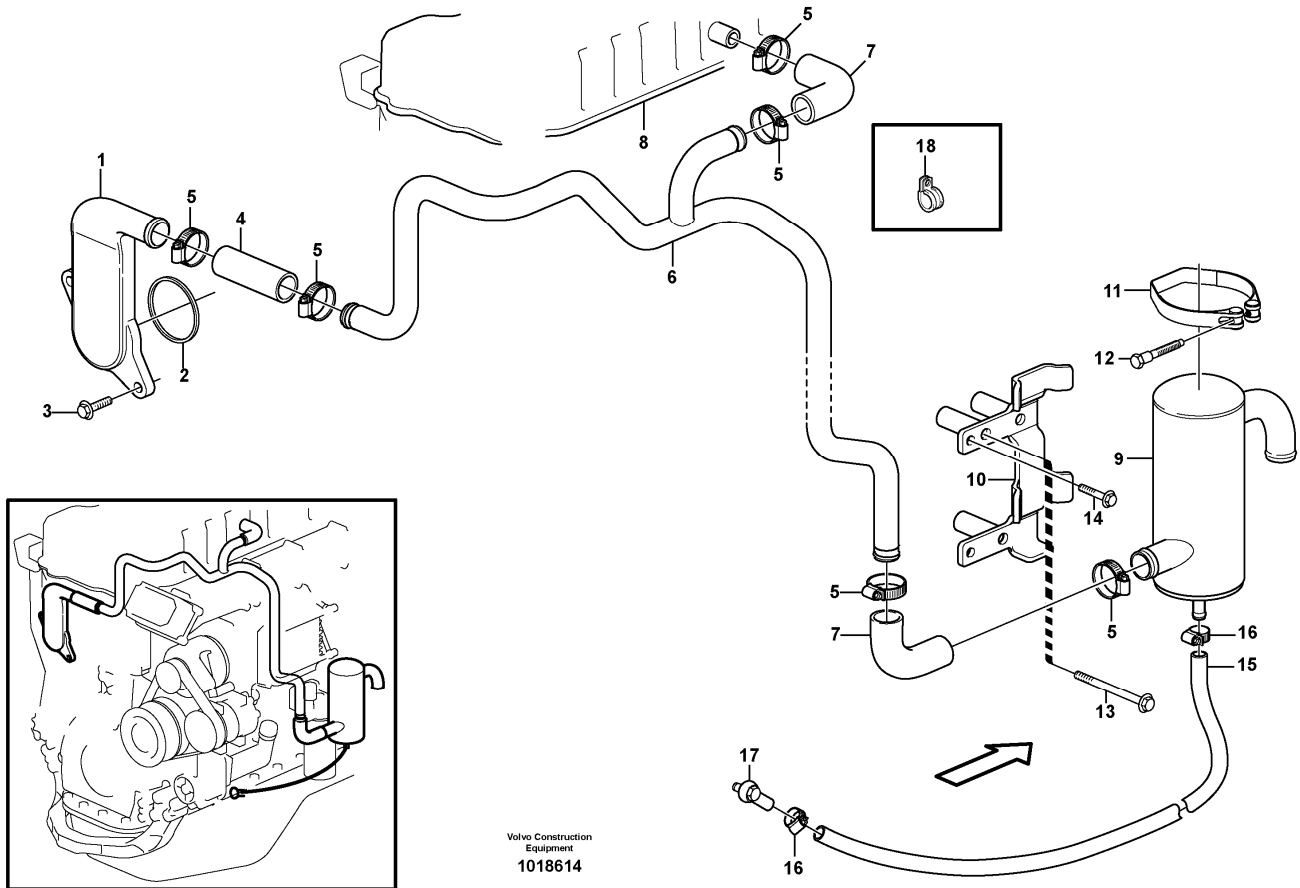
Section option	Kit	Option description
VOE8280231		Engine with Epa label EMISSION CERTIFICATED FROM EU&EPA

Q1-Q5	Option	Option description	
Q1 8280231	VOE8280231	Engine with Epa label EMISSION CERTIFICATED FROM EU&EPA	

Pos	Part	Q1	Q2	Q3	Q4	Q5	PS	Kit	Description	Option(s)	Remark
1		1							Cylinder block		See ref 212/100
2	VOE8170389	2							Guide sleeve		
3	VOE20538056	1							Casing		
4	VOE20712545	1							Seal		
5	VOE13945444	20							Screw		
6	VOE13965180	7							Screw		
7	VOE1546528	2							Plug		
8	VOE1547252	2							Sealing ring		
9	VOE1546532	2							Lock		



Date: <b>2014/1/8</b>	Image id: <b>1018614</b>	Catalogue: <b>20100</b>	Model: <b>EC330C L</b>
Brand: <b>Volvo</b>	Serial: <b>110001-, 140001-</b>	Group/Section: <b>212/300</b>	Title: <b>Crankcase ventilation</b>



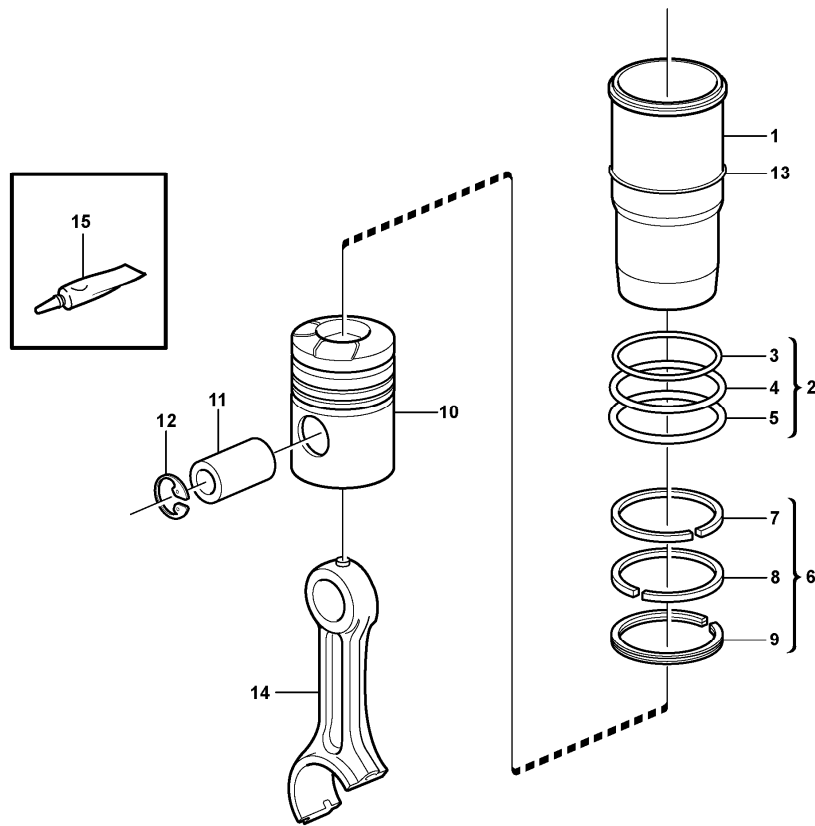
Section option	Kit	Option description
VOE8280231		Engine with Epa label EMISSION CERTIFICATED FROM EU&EPA

Q1-Q5	Option	Option description
Q1 8280231	VOE8280231	Engine with Epa label EMISSION CERTIFICATED FROM EU&EPA

Pos	Part	Q1	Q2	Q3	Q4	Q5	PS	Kit	Description	Option(s)	Remark
1	VOE11127358	1							Flange pipe		
2	VOE3165097	1							Sealing ring		
3	VOE13945444	2							Screw		
4	VOE11128750	1							Hose		L = 100 MM
5	VOE943476	6							Hose clamp		ENG - 654902
5	VOE993963	6							Hose clamp		ENG 654903 -
6	VOE11423384	1							Pipe		
7	VOE11128756	2							Hose		
8		1							Valve Cover		See ref 214/100

9	VOE11033878	1							Oil trap		
10	VOE11423146	1							Attachment		
11	VOE420914	1							Tensioning Band		
12	VOE1545257	1							Screw		
13	VOE13965188	3							Screw		
14	VOE946440	2							Flange screw		
15	VOE983342	REQ							Hose		L = 520 MM
16	VOE943471	2							Hose clamp		ENG - 654902
16	VOE993960	2							Hose clamp		ENG 654903 -
17	VOE11423224	1							Tube		See ref 217/100
18	VOE13949997	2							Clamp		

Date: <b>2014/1/8</b>	Image id: <b>1035153</b>	Catalogue: <b>20100</b>	Model: <b>EC330C L</b>
Brand: <b>Volvo</b>	Serial: <b>110001-, 140001-</b>	Group/Section: <b>213/100</b>	Title: <b>Cylinder liner and piston</b>



Volvo Construction  
Equipment  
1035153

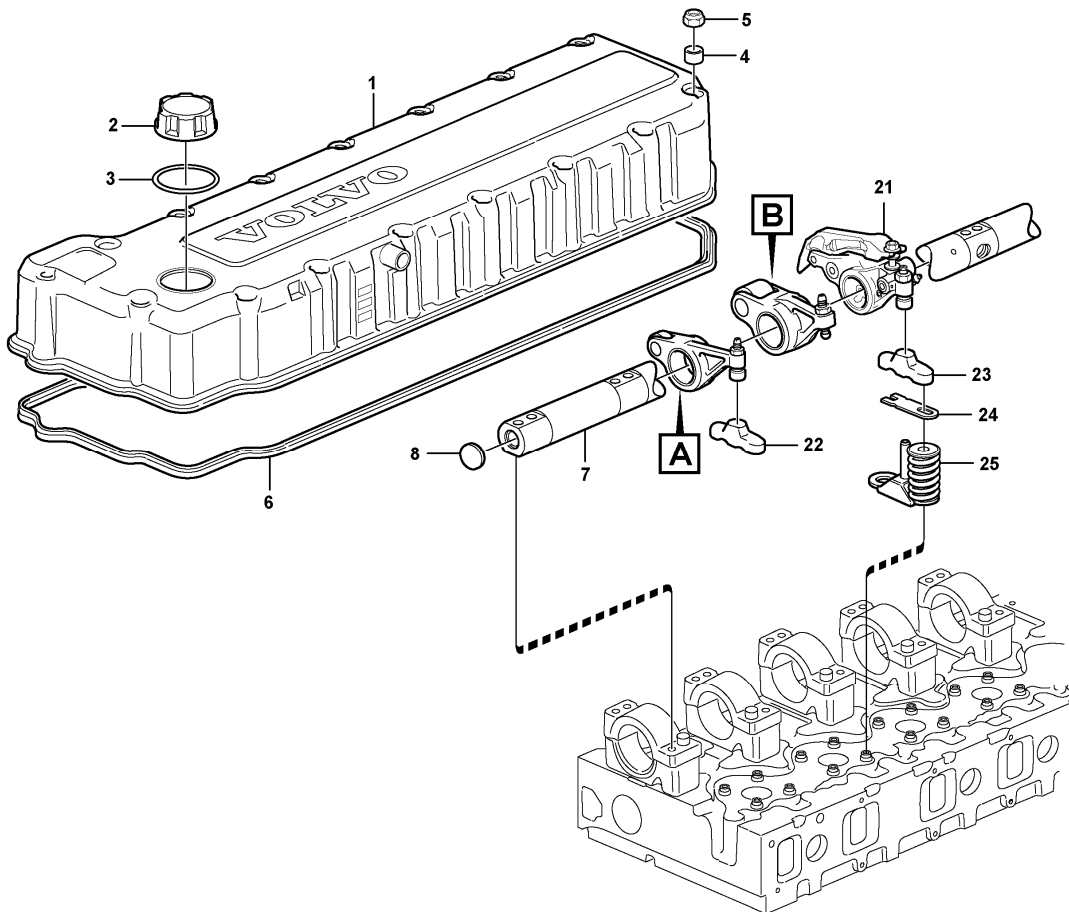
Section option	Kit	Option description
VOE8280231		Engine with Epa label EMISSION CERTIFICATED FROM EU&EPA

Q1-Q5	Option	Option description	
Q1 8280231	VOE8280231	Engine with Epa label EMISSION CERTIFICATED FROM EU&EPA	

Pos	Part	Q1	Q2	Q3	Q4	Q5	PS	Kit	Description	Option(s)	Remark
	VOE20820358	6							Cylinder		
1	VOE20498544	6					NS		•Cylinder liner		
2	VOE270950	6							•Sealing kit		
3		6					NS		••Seal Ring		
4	VOE470190	12					NS		••Sealing ring		
5		6					NS		••Sealing ring		
6	VOE20820363	6							•Piston Ring Kit		
7		6					NS		••Compression ring		
8		6					NS		••Compression ring		LOW

9		6					NS		••Oil scraper ring		
10		6					NS		•Piston		
11	VOE3155115	6							•Gudgeon pin		
12	VOE914530	12							•Retaining ring		
13	VOE1677591	REQ							Shim		THICK = 0,2 MM
13	VOE1677592	REQ							Shim		THICK = 0,3 MM
13	VOE1677593	REQ							Shim		THICK = 0,5 MM
14		6							Connecting rod		See ref 216/100
15		REQ					NS		Sealing Kit		

Date: <b>2014/1/8</b>	Image id: <b>1056222</b>	Catalogue: <b>20100</b>	Model: <b>EC330C L</b>
Brand: <b>Volvo</b>	Serial: <b>110001-, 140001-</b>	Group/Section: <b>214/100</b>	Title: <b>Valve mechanism</b>



Volvo Construction  
Equipment  
1056222

Section option	Kit	Option description
VOE8188756		Engine D12D TIER 3
VOE8188757		Engine D12D-P
VOE8188768		Engine D12DEBE3
VOE8280231		Engine with Epa label EMISSION CERTIFICATED FROM EU&EPA

Q1-Q5	Option	Option description	
Q1 ENG - 629701			
Q2 ENG 629702 - E PROD			
Q3 L PROD			

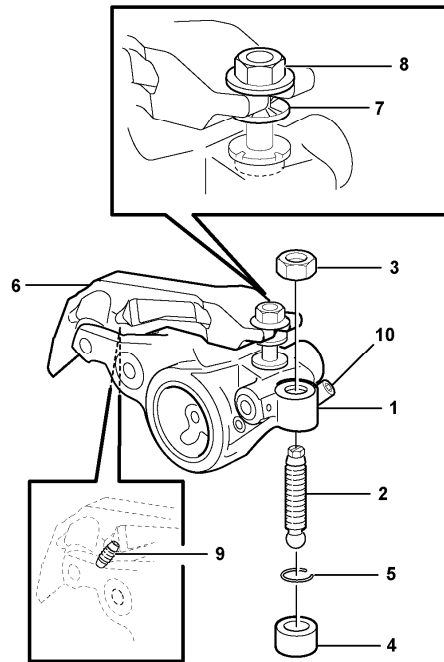
Pos	Part	Q1	Q2	Q3	Q4	Q5	PS	Kit	Description	Option(s)	Remark
1	VOE21052622	1	1	1					Valve cover		(VOE20536911)
1	VOE20545681	1	1	1			NS		•Valve Cover		
2	VOE20807510	1	1	1					•Oil filler cap		

3	VOE20365079	1	1	1					••Gasket		
4	VOE3964604	16	16	16					Bushing		
5	VOE8148488	16	16	16					Lock nut		
6	VOE21123014	1	1	1					Sealing strip		(VOE8170116)
7	VOE8170158	1	1	1					Rocker arm shaft		
7	VOE8170159	1	1	1			OP		•Rocker arm shaft		
8	VOE980176	2	2	2					•Expansion plug		
9	VOE20738717	6							Rocker Arm		INLET
9	VOE21024794		6	6					Rocker arm		
10	VOE1546681	6	6	6					•Bushing		
	VOE1546046	6	6	6					•Bushing		See footnote 2624)
11	VOE1546458	6	6	6					•Ball stud		
12	VOE13946911	6	6	6					•Nut		
13	VOE20441753	6							•Ball socket		
13	VOE21054149		6	6					•Ball socket		
14	VOE944364	6	6	6					••O-ring		
15		6	6	6			NS		••Ball Socket		
16	VOE20738748	6							Rocker Arm		INJECTOR
16	VOE21023450		6						Rocker arm		
16	VOE21089229			6					Rocker arm		
17				6			NS		•Bushing		
17	VOE3155127	6	6				SS		•Bushing		
	VOE1546685	6	6						•Bushing		See footnote 2624)
18	VOE1546775	6	6	6					•Ball stud		
19	VOE1677396	6	6	6					•Hexagon nut		
20	VOE3964817	12	12	12					•Jet		
21		6	6	6					Rocker Arm		See ref 214/200
22	VOE3183207	6	6	6					Valve cap		
23	VOE3183207	6	6	6					Valve cap		
24	VOE1547967	REQ							Shim		THICK = 2,00 MM
24	VOE1547968	REQ							Shim		THICK = 2,05 MM
24	VOE1547969	REQ							Shim		THICK = 2,10 MM
24	VOE1547970	REQ							Shim		THICK = 2,15 MM
24	VOE1547971	REQ							Shim		THICK = 2,20 MM
24	VOE1547972	REQ							Shim		THICK = 2,25 MM
24	VOE1547973	REQ							Shim		THICK = 2,30 MM
24	VOE1547974	REQ							Shim		THICK = 2,35 MM
24	VOE1547975	REQ							Shim		THICK = 2,40 MM
24	VOE1547976	REQ							Shim		THICK = 2,45 MM
24	VOE1547977	REQ							Shim		THICK = 2,50 MM
24	VOE1547978	REQ							Shim		THICK = 2,55 MM
24	VOE1547979	REQ							Shim		THICK = 2,60 MM
24	VOE1547980	REQ							Shim		THICK = 2,65 MM
24	VOE1547981	REQ							Shim		THICK = 2,70 MM
24	VOE1547982	REQ							Shim		THICK = 2,75 MM
24	VOE1547983	REQ							Shim		THICK = 2,80 MM
24	VOE1547984	REQ							Shim		THICK = 2,85 MM

24	VOE1677347	REQ							Shim		THICK = 2,90 MM
24	VOE1677348	REQ							Shim		THICK = 2,95 MM
24	VOE1677349	REQ							Shim		THICK = 3,00 MM
24	VOE1677350	REQ							Shim		THICK = 3,05 MM
24	VOE1677351	REQ							Shim		THICK = 3,10 MM
24	VOE1677352	REQ							Shim		THICK = 3,15 MM
24	VOE1677353	REQ							Shim		THICK = 3,20 MM
24	VOE1677354	REQ							Shim		THICK = 3,25 MM
24	VOE1677355	REQ							Shim		THICK = 3,30 MM
24	VOE1677356	REQ							Shim		THICK = 3,35 MM
24	VOE1677357	REQ							Shim		THICK = 3,40 MM
24	VOE1677358	REQ							Shim		THICK = 3,45 MM
24	VOE1677359	REQ							Shim		THICK = 3,50 MM
24	VOE1677360	REQ							Shim		THICK = 3,55 MM
24	VOE1677361	REQ							Shim		THICK = 3,60 MM
24	VOE1677362	REQ							Shim		THICK = 3,65 MM
24	VOE1677363	REQ							Shim		THICK = 3,70 MM
24	VOE1677364	REQ							Shim		THICK = 3,75 MM
24	VOE1677365	REQ							Shim		THICK = 3,80 MM
24	VOE1677366	REQ							Shim		THICK = 3,85 MM
24	VOE1677367	REQ							Shim		THICK = 3,90 MM
24	VOE1677368	REQ							Shim		THICK = 3,95 MM
25		6							Guide pin		See ref 211/100

2624) Not Shown

Date: <b>2014/1/8</b>	Image id: <b>1018621</b>	Catalogue: <b>20100</b>	Model: <b>EC330C L</b>
Brand: <b>Volvo</b>	Serial: <b>110001-, 140001-</b>	Group/Section: <b>214/200</b>	Title: <b>Rocker arm EXHAUST, 8280231</b>



Volvo Construction  
Equipment  
1018621

Section option	Kit	Option description
VOE8188756		Engine D12D TIER 3
VOE8188757		Engine D12D-P
VOE8188768		Engine D12DEBE3
VOE8280231		Engine with Epa label EMISSION CERTIFICATED FROM EU&EPA

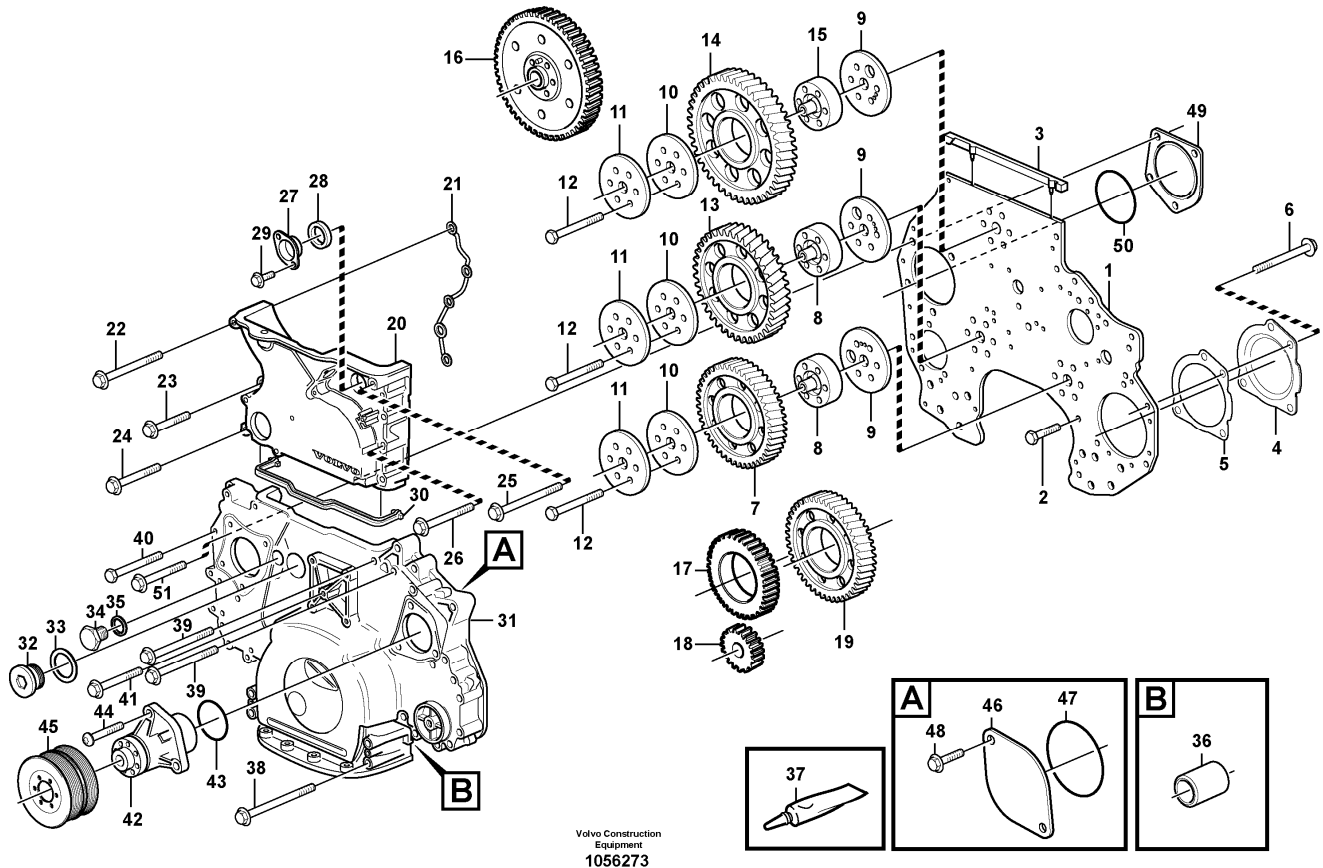
Q1-Q5	Option	Option description	
Q1 ENG - E PROD			
Q2 ENG L PROD - 646559			
Q3 ENG 646560 - 649003			
Q4 ENG 649004 -			

Pos	Part	Q1	Q2	Q3	Q4	Q5	PS	Kit	Description	Option(s)	Remark
	VOE20941606	1					SS		Rocker arm		

	VOE21243114		1						Rocker arm		(VOE21048998)
	VOE21084232			1					Rocker Arm		
	VOE21243114				1				Rocker arm		
1	VOE20526262	1						OP	•Rocker arm		
1	VOE21088680		1					NS	•Rocker Arm		
1	VOE21088675			1				NS	•Rocker Arm		
1	VOE21243110				1			NS	•Rocker Arm		
2	VOE1546458	1	1	1	1				•Ball stud		
3	VOE13946911	1	1	1	1				•Nut		
4	VOE20441753	1							•Ball socket		
4	VOE21054149		1	1	1				•Ball socket		
5	VOE944364	1	1	1	1				••O-ring		
6	VOE20525325	1	1					OP	•Rocker arm		
6	VOE21084235			1	1			NS	•Rocker Arm		
7	VOE20524954	1	1	1	1			OP	•Sleeve		
8	VOE20524958	1	1	1	1				•Nut		
9	VOE3964817	1	1	1					•Jet		
10	VOE20916960	1	1	1	1				•Nipple		
	VOE21084234				1				•Bushing		See footnote 2624)

2624) Not Shown

Date: <b>2014/1/8</b>	Image id: <b>1056273</b>	Catalogue: <b>20100</b>	Model: <b>EC330C L</b>
Brand: <b>Volvo</b>	Serial: <b>110001-, 140001-</b>	Group/Section: <b>215/100</b>	Title: <b>Timing gear casing and gears ENG - 645018</b>



Section option	Kit	Option description
VOE8188746		Engine D12D-G, TIER3, BASED TIER2
VOE8188747		Engine D12D-O
VOE8188756		Engine D12D TIER 3
VOE8188757		Engine D12D-P
VOE8188758		Engine D12DEBE2
VOE8188768		Engine D12DEBE3
VOE8280231		Engine with Epa label EMISSION CERTIFICATED FROM EU&EPA
VOE8280232		Engine without Epa label INT AND KOREAN MARKET

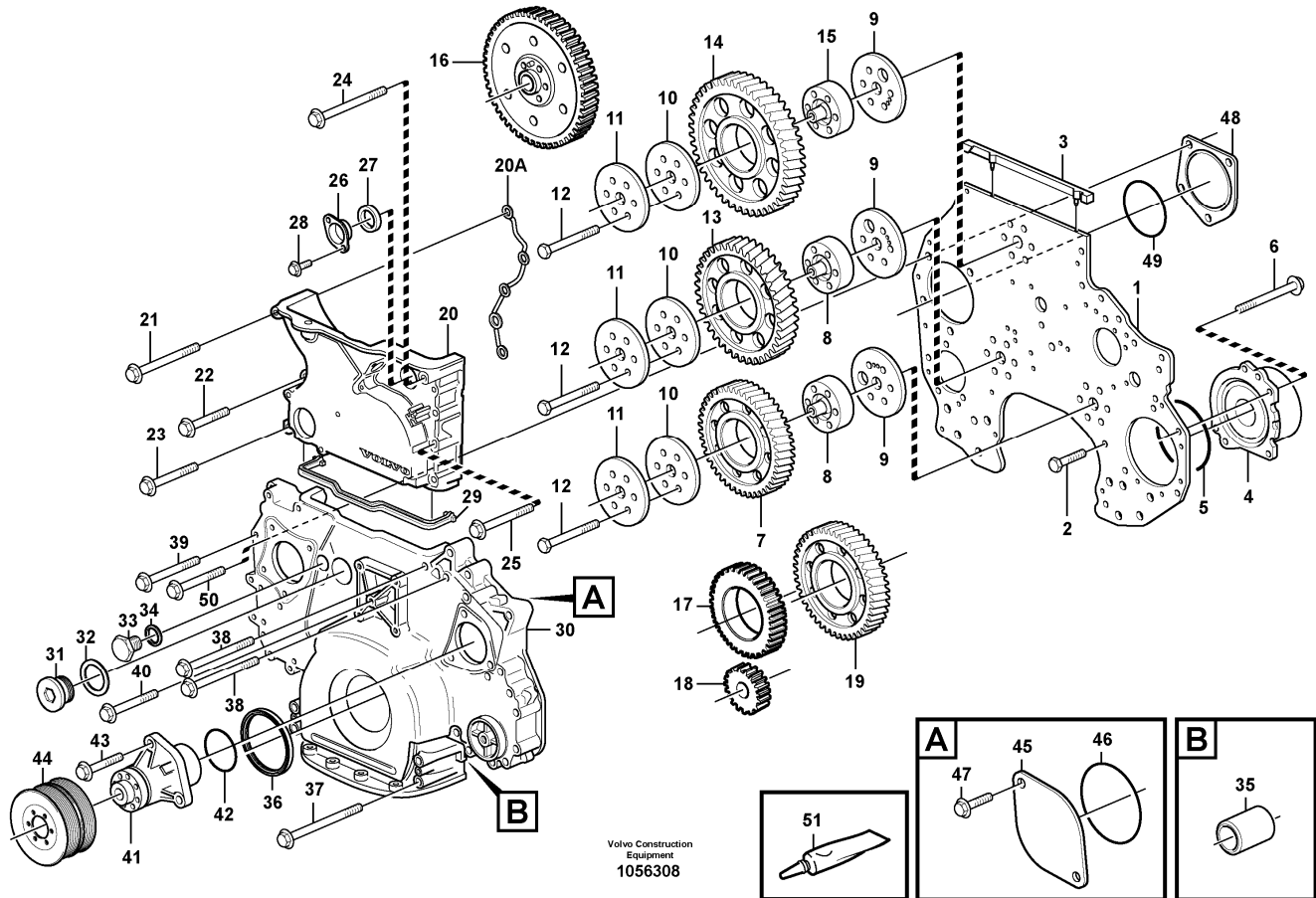
Q1-Q5	Option	Option description	
Q1 VOE			

Pos	Part	Q1	Q2	Q3	Q4	Q5	PS	Kit	Description	Option(s)	Remark
1	VOE8170561	1							Xmsn Plate		
2	VOE946470	17							Flange screw		

3	VOE20489341	1						Gasket		
4	VOE3828662	1						Cover		
5	VOE13949736	1						O-ring		
6	VOE965197	4						Flange screw		(VOE13965197)
7	VOE8170193	1						Idler gear		
8	VOE8170219	2						Hub		
9	VOE8170220	3						Thrust washer		
10	VOE3184865	3						Thrust washer		
11	VOE3184868	3						Bearing shield		
12	VOE1547886	18						Screw		
13	VOE8170195	1						Idler gear		
14	VOE8170197	1						Idler gear		
15	VOE8170199	1						Hub		
16		1						Gear		See ref 215/200
17		1						Idler gear		See ref 221/200
18		1						Gear		See ref 221/200
19		1				NS		Gear		See ref 262/100
20	VOE20713791	1						Tmg Gear Cover		
21	VOE3830184	1						Sealing		
22	VOE968553	1						Flange screw		L = 120 MM
23	VOE13965182	3						Screw		L = 80 MM
24	VOE13965183	1						Flange screw		L = 90 MM
25	VOE13965190	1						Screw		L = 100 MM
26	VOE13965223	1						Screw		L = 75 MM
26	VOE13947790	2						Screw		L = 80 MM
27	VOE3964803	1						Plug		
28	VOE20555696	1						Sealing ring		
29	VOE946440	2						Flange screw		
30	VOE20714247	1						Seg moulding		
31	VOE3835799	1						Tmg Gear Cover		
31	VOE3835798	1				NS		•Tmg gear cover		
32	VOE467367	1						•Plug		
33	VOE1556907	1						•Gasket		
34	VOE13960632	1						•Plug		
35	VOE948884	1						•Plane gasket		
36	VOE1547940	2						•Pin		
37	VOE11713514	REQ						Sealant		(VOE1161231)304 ML
37	VOE1161277	REQ						Sealant		20 GRAM
38	VOE973096	4						Flange screw		L = 130 MM
39	VOE13947790	2						Screw		L = 80 MM
40	VOE955302	11						Hexagon screw		L = 60 MM
40	VOE13965181	1						Screw		L = 70 MM
41	VOE13965183	1						Flange screw		L = 90 MM
42		1						Driving Device		See ref 215/175
43	VOE967344	1						O-ring		
44	VOE13946752	1						Screw		L = 35 MM
44	VOE13965190	1						Screw		L = 100 MM

45		1							Pulley		See ref 263/100
46	VOE3828400	1							Cover		
47	VOE967344	1							O-ring		
48	VOE946441	2							Flange screw		
49	VOE1556208	1							Cover		
50	VOE13948888	1							O-ring		
51	VOE973967	4							Flange screw		

Date: <b>2014/1/8</b>	Image id: <b>1056308</b>	Catalogue: <b>20100</b>	Model: <b>EC330C L</b>
Brand: <b>Volvo</b>	Serial: <b>110001-, 140001-</b>	Group/Section: <b>215/150</b>	Title: <b>Timing gear casing and gears ENG 645019 -</b>



Section option	Kit	Option description
VOE8188756		Engine D12D TIER 3
VOE8188757		Engine D12D-P
VOE8188768		Engine D12DEBE3
VOE8280231		Engine with Epa label EMISSION CERTIFICATED FROM EU&EPA

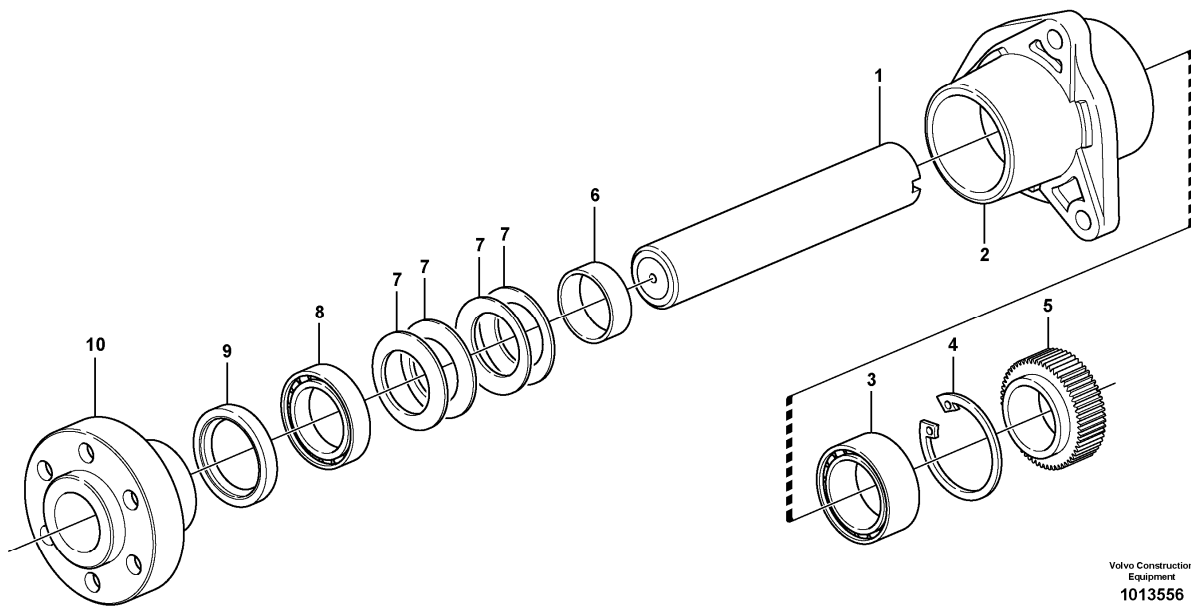
Q1-Q5	Option	Option description
Q1 ENG - 656061		
Q2 ENG 656062 -		

Pos	Part	Q1	Q2	Q3	Q4	Q5	PS	Kit	Description	Option(s)	Remark
1	VOE8170561	1	1						Xmsn Plate		
2	VOE946470	17	17						Flange screw		
3	VOE20489341	1	1						Gasket		
4	VOE11128611	1	1						Bearing housing		
5	VOE13949736	1	1						O-ring		

6	VOE965197	4	4						Flange screw		(VOE13965197)
7	VOE8170193	1	1						Idler gear		
8	VOE8170219	2	2						Hub		
9	VOE8170220	3	3						Thrust washer		
10	VOE3184865	3	3						Thrust washer		
11	VOE3184868	3	3						Bearing shield		
12	VOE1547886	18	18						Screw		
13	VOE8170195	1	1						Idler gear		
14	VOE8170197	1	1						Idler gear		
15	VOE8170199	1	1						Hub		
16		1	1						Gear		
17		1	1						Idler gear		
18		1	1						Gear		
19		1	1				NS		Gear		
20	VOE20713791	1	1						Tmg Gear Cover		
20A	VOE3830184	1	1						Sealing		
21	VOE968553	1	1						Flange screw		L = 115 MM
22	VOE13965182	3	3						Screw		L = 80 MM
23	VOE13965183	1	1						Flange screw		L = 90 MM
24	VOE13965190	1	1						Screw		L = 100 MM
25	VOE13965223	1	1						Screw		L = 75 MM
25	VOE13947790	2	2						Screw		L = 80 MM
26	VOE3964803	1	1						Plug		
27	VOE20555696	1	1						Sealing ring		
28	VOE946440	2	2						Flange screw		
29	VOE20714247	1	1						Seg moulding		
30	VOE21122283	1					SS		Timing gear cover		
30	VOE21424752		1						Timing gear cover		
30	VOE21206533	1	1						•Timing gear cover		
30	VOE3595444	1	1				NS		••Tmg gear cover		
31	VOE467367	1	1						••Plug		
32	VOE1556907	1	1						••Gasket		
33	VOE13960632	1	1						••Plug		
34	VOE948884	1	1						••Plane gasket		
35	VOE1547940	2	2						••Pin		
36	VOE85108423	1							•Crankshaft seal		
36	VOE21081526		1				NS		•Crankshaft Seal		
37	VOE973096	4	4						Flange screw		L = 130 MM
38	VOE13947790	2	2						Screw		L = 80 MM
39	VOE955302	11	11						Hexagon screw		L = 60 MM
39	VOE13965181	1	1						Screw		L = 70 MM
40	VOE13965183	1	1						Flange screw		L = 90 MM
41		1	1						Driving Device		See ref 215/175
42	VOE967344	1	1						O-ring		
43	VOE13946752	1	1						Screw		
43	VOE13965190	1	1						Screw		L = 100 MM
44		1	1						Pulley		See ref 263/100

45	VOE3828400	1	1						Cover		
46	VOE967344	1	1						O-ring		
47	VOE946441	2	2						Flange screw		
48	VOE1556208	1	1						Cover		
49	VOE13948888	1	1						O-ring		
50	VOE973967	4	4						Flange screw		
51	VOE11713514	REQ	REQ						Sealant		(VOE1161231)
51	VOE1161277	REQ	REQ						Sealant		

Date: <b>2014/1/8</b>	Image id: <b>1013556</b>	Catalogue: <b>20100</b>	Model: <b>EC330C L</b>
Brand: <b>Volvo</b>	Serial: <b>110001-, 140001-</b>	Group/Section: <b>215/175</b>	Title: <b>Driving device</b>

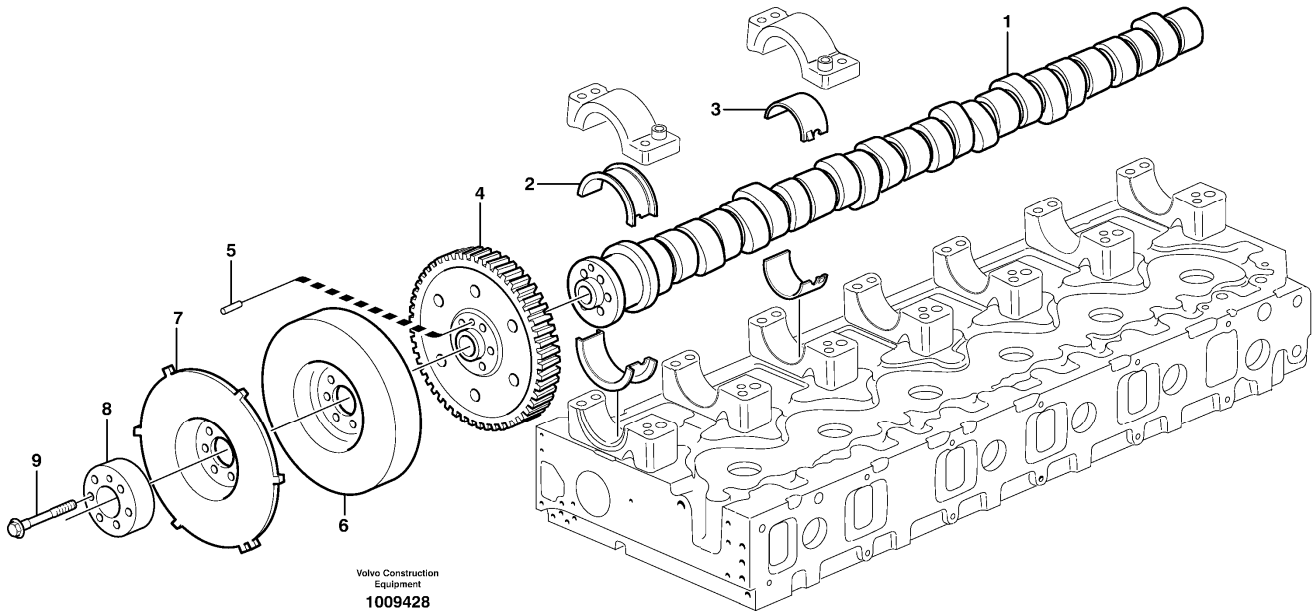


Volvo Construction  
Equipment  
1013556

Section option	Kit	Option description
VOE8188757		Engine D12D-P
VOE8280231		Engine with Epa label EMISSION CERTIFICATED FROM EU&EPA

Pos	Part	Q1	Q2	Q3	Q4	Q5	PS	Kit	Description	Option(s)	Remark
	VOE8193986	1							Driving device		
1	VOE8184821	1					NS		•Axle		
2	VOE8170667	1					OP		•Bearing housing		
3	VOE471499	1							•Ball bearing		
4	VOE914532	1							•Retaining ring		
5	VOE8170240	1					OP		•Gear		
6	VOE8193994	1							•Spacer sleeve		
7	VOE1677558	4					OP		•Disc spring		
8	VOE11013	1							•Ball bearing		
9	VOE1546480	1							•Sealing ring		
10	VOE1547846	1					OP		•Hub		

Date: <b>2014/1/8</b>	Image id: <b>1009428</b>	Catalogue: <b>20100</b>	Model: <b>EC330C L</b>
Brand: <b>Volvo</b>	Serial: <b>110001-, 140001-</b>	Group/Section: <b>215/200</b>	Title: <b>Camshaft</b>

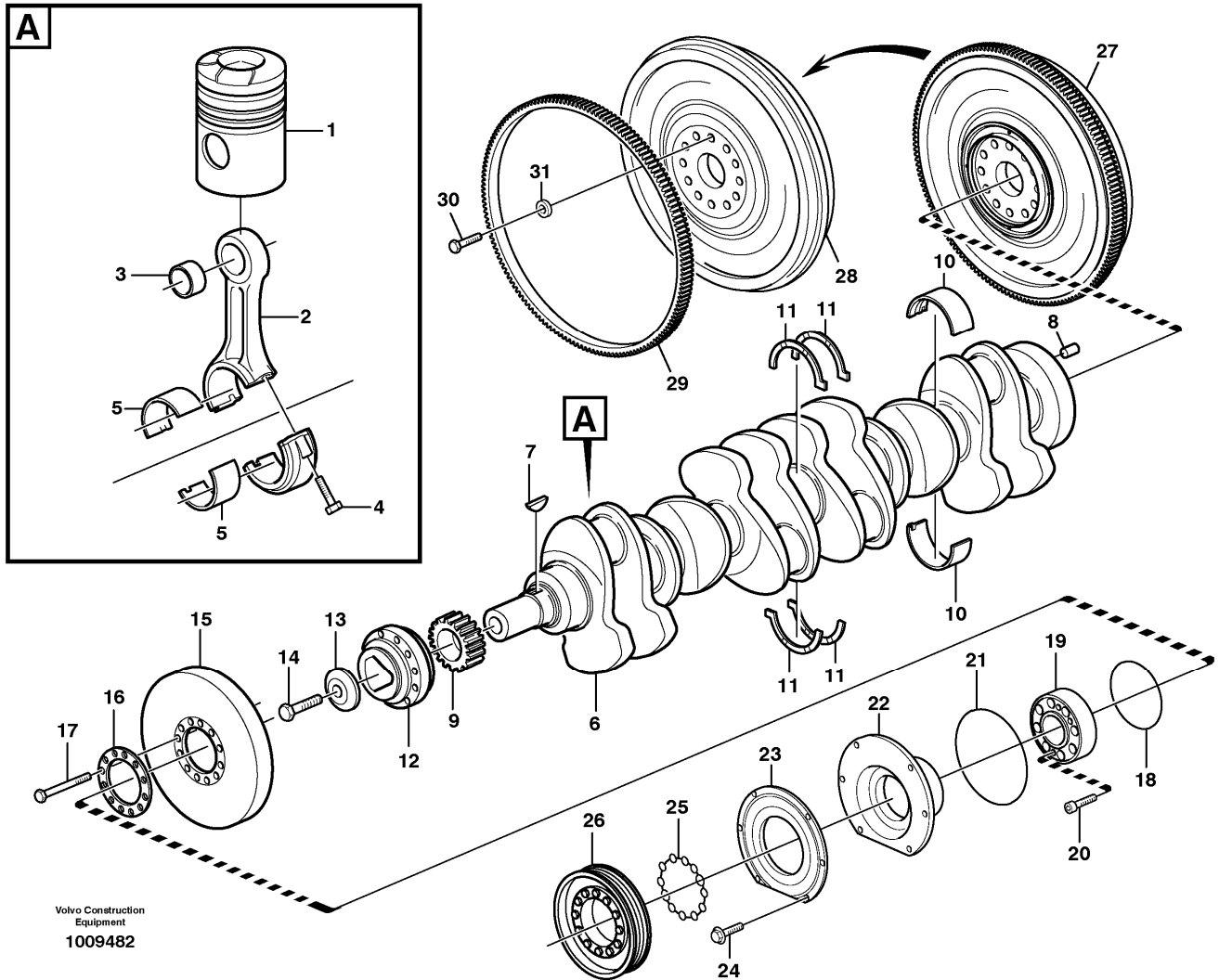


Section option	Kit	Option description
VOE8188757		Engine D12D-P
VOE8280231		Engine with Epa label EMISSION CERTIFICATED FROM EU&EPA

Q1-Q5	Option	Option description	
Q1 8280231	VOE8280231	Engine with Epa label EMISSION CERTIFICATED FROM EU&EPA	

Pos	Part	Q1	Q2	Q3	Q4	Q5	PS	Kit	Description	Option(s)	Remark
1	VOE20576909	1							Camshaft		
2	VOE20503200	1							Bearing shell kit		
3	VOE276630	6							Bearing shell kit		STD
	VOE1677212	12							•Bearing shell		STD
	VOE1677551	12							Bearing shell		0,25 US
4	VOE20450344	1							Gear		
5	VOE950572	1							•Grooving tool		
6	VOE8170954	1							Vibration damper		
7	VOE3155166	1							Tooth Wheel		
8	VOE20440991	1							Spacer		
9	VOE20441079	6							Flange screw		

Date: <b>2014/1/8</b>	Image id: <b>1009482</b>	Catalogue: <b>20100</b>	Model: <b>EC330C L</b>
Brand: <b>Volvo</b>	Serial: <b>110001-, 140001-</b>	Group/Section: <b>216/100</b>	Title: <b>Crankshaft and related parts</b>



Section option	Kit	Option description
VOE8188757		Engine D12D-P
VOE8280231		Engine with Epa label EMISSION CERTIFICATED FROM EU&EPA

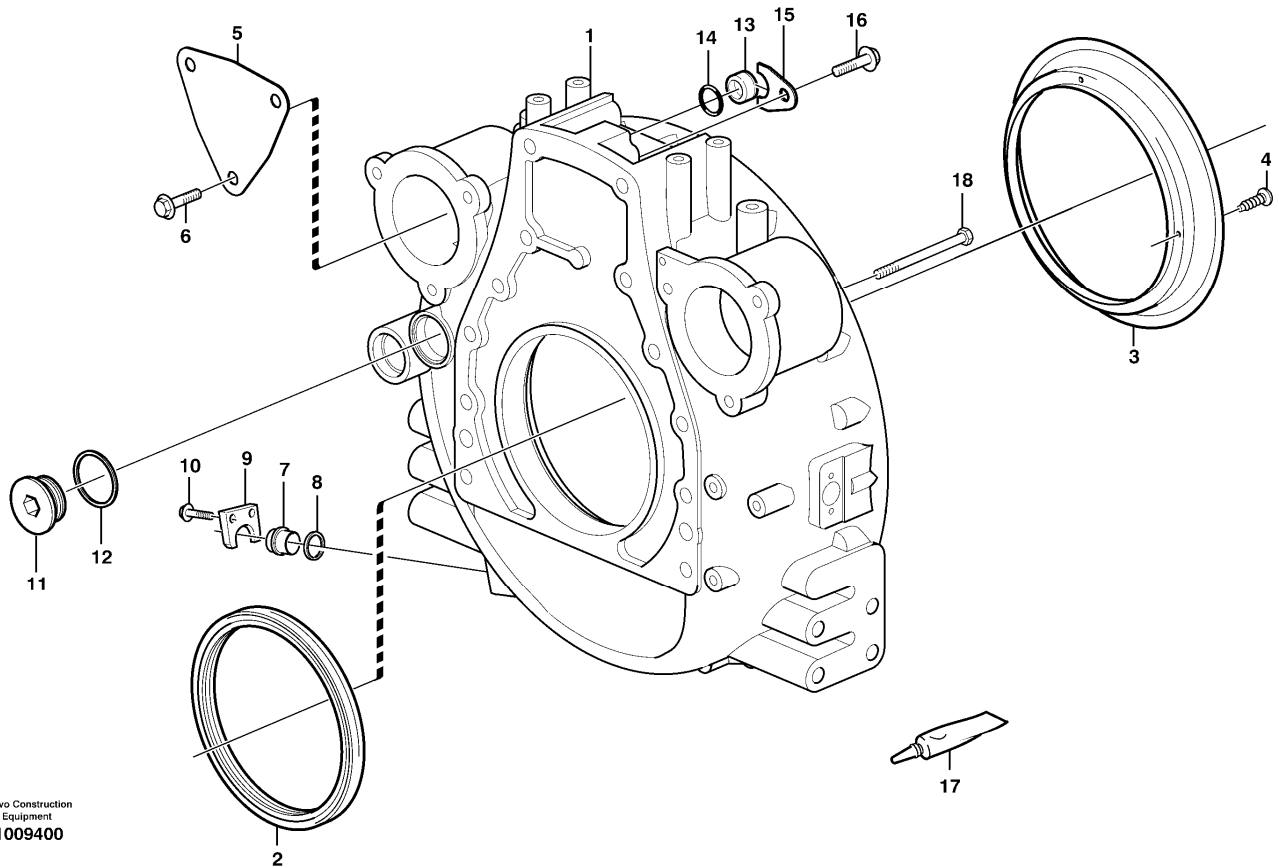
Q1-Q5	Option	Option description	
Q1 8280231	VOE8280231	Engine with Epa label EMISSION CERTIFICATED FROM EU&EPA	

Pos	Part	Q1	Q2	Q3	Q4	Q5	PS	Kit	Description	Option(s)	Remark
1		6							Piston		See ref 213/100
	VOE20412200	6							Connecting rod		
2	VOE20412201	6					NS		•Connecting rod		
3	VOE20381185	6							•Bushing		

4	VOE1543035	12							•Screw		
5	VOE276134	REQ							Big End Brg Kit		STD
	VOE276135	REQ							Big End Brg Kit		0,25 MM U SZ
	VOE276136	REQ							Big End Brg Kit		0,50 MM U SZ
	VOE276137	REQ							Big End Brg Kit		0,75 MM U SZ
	VOE276334	REQ							Big End Brg Kit		1,00 MM U SZ
	VOE276349	REQ							Big End Brg Kit		1,25 MM U SZ
	VOE20533089	1							Crankshaft		
	VOE20533073	1					NS		•Crankshaft		
6	VOE20533089	1							••Crankshaft		(VOE20533088)
7	VOE422253	1							••Key		
8	VOE950644	1							••Pin		
9	VOE8170192	1							•Gear		
10	VOE20530916	7							Mn Bearing Kit		STD
	VOE276616	7							Main bearing kit		0,25 MM U SZ
	VOE276617	7							Main bearing kit		0,50 MM U SZ
	VOE276618	7							Main bearing kit		0,75 MM U SZ
	VOE276619	7							Main bearing kit		1,00 MM U SZ
	VOE20578628	7							Main Bearing		(VOE276620)1,25 MM U SZ
11	VOE3093651	1							Thrust washer kit		STD ENG - 648064
	VOE3093652	1							Thrust washer kit		0,1 MM O SZ ENG - 648064
	VOE3093653	1							Thrust washer kit		0,2 MM O SZ ENG - 648064
	VOE3093654	1							Thrust washer kit		0,3 MM O SZ ENG - 648064
	VOE21267844	1							Thrust washer		STD ENG 648065 -
	VOE21267847	1							Thrust washer		0,1 MM O SZ ENG 648065 -
12	VOE11707317	1							Hub		(VOE1549407)
13	VOE422124	1							Washer		
14	VOE1543316	1							Screw		
15	VOE8193930	1							Vibration damper		
16	VOE8193962	1							Washer		
17	VOE13970887	10							Hexagon screw		
18	VOE13945512	1							O-ring		
19	VOE3826656	1							Companion flange		ENG - 631188
19	VOE21243814	1							Companion flange		(VOE3595228)ENG 631189 -
20	VOE13974111	2							Allen Hd Screw		ENG - 631188
20	VOE3595265	2							Screw		ENG 631189 -
21	VOE3832906	1							O-ring		
22	VOE3832863	1							Sealing ring		ENG - 631188
23	VOE3827504	1							Dust cover		ENG - 631188
23	VOE40005678	1					SS		Sealing ring		ENG 631189 -
24	VOE946440	6							Flange screw		ENG - 631188
24	VOE946173	6							Flange screw		ENG 631189 -

25	VOE3827530	1							Sealing ring		
26	VOE11127304	1							Pulley		
27	VOE11127311	1							Flywheel		
28	VOE11127305	1					NS		•Flywheel		
29	VOE8193939	1							•Gear ring		
30	VOE1677893	14							Screw		
31	VOE1543563	14							Washer		

Date: <b>2014/1/8</b>	Image id: <b>1009400</b>	Catalogue: <b>20100</b>	Model: <b>EC330C L</b>
Brand: <b>Volvo</b>	Serial: <b>110001-, 140001-</b>	Group/Section: <b>216/200</b>	Title: <b>Flywheel housing</b>



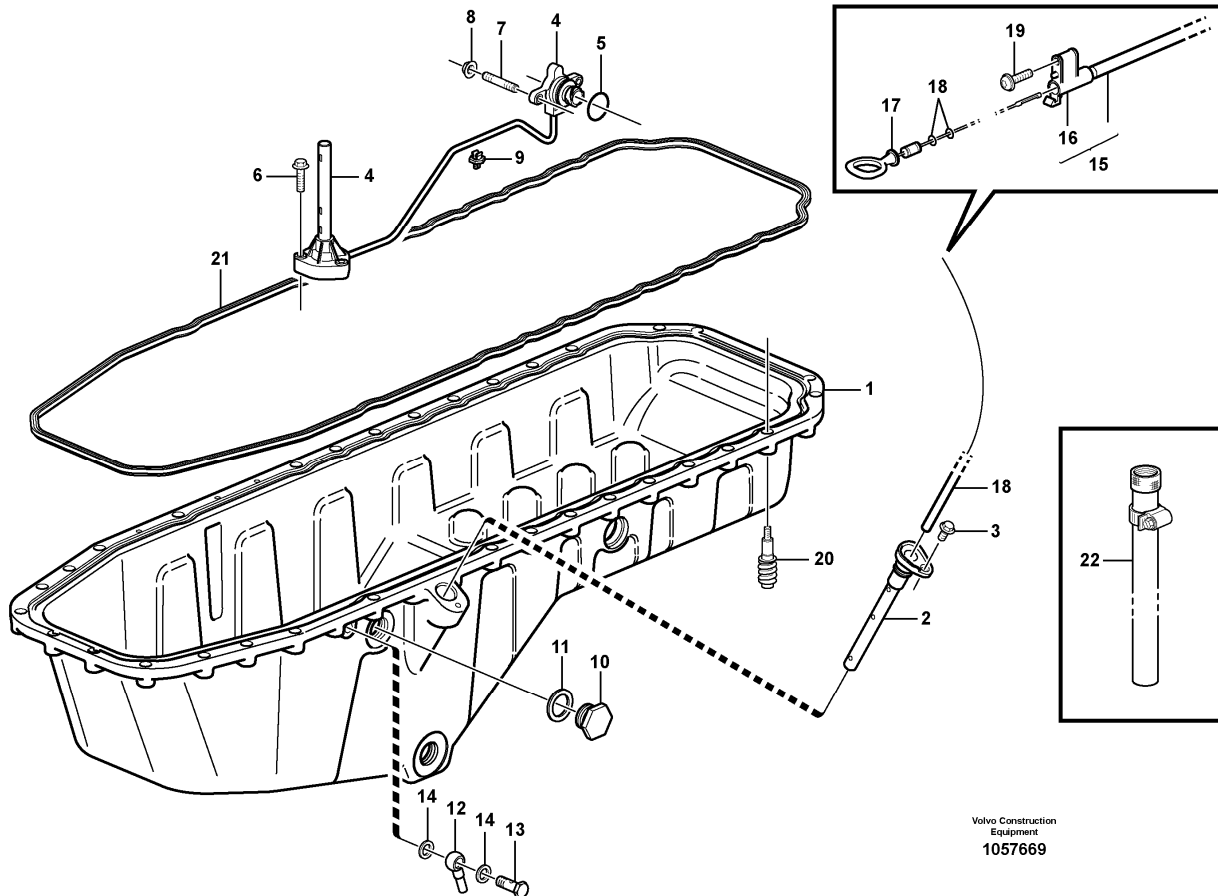
Section option	Kit	Option description
VOE8280231		Engine with Epa label EMISSION CERTIFICATED FROM EU&EPA

Q1-Q5	Option	Option description	
Q1 8280231	VOE8280231	Engine with Epa label EMISSION CERTIFICATED FROM EU&EPA	

Pos	Part	Q1	Q2	Q3	Q4	Q5	PS	Kit	Description	Option(s)	Remark
	VOE11030273	1							Flywheel housing		
1	VOE11030245	1					OP		•Flywheel housing		
2	VOE1543896	1							•Sealing ring		
3	VOE11030271	1							•Oil deflector ring		
4	VOE13905650	4							•Drive screw		
5	VOE849135	1					OP		Cover		
6	VOE946502	3							Flange screw		
7	VOE11031785	1							Plug		
8	VOE421158	1							Sealing ring		
9	VOE11031769	1							Lock washer		

10	VOE13966378	2							Flange screw		
11	VOE467367	2							Plug		ENG - 652896
11	VOE15134976	2							Plug		ENG 652897 -
12	VOE1556907	2							Gasket		
13	VOE11127387	1							Plug		
14	VOE13949656	1							O-ring		
15	VOE11127388	1							Lock plate		
16	VOE13966378	1							Flange screw		
17	VOE1161277	REQ							Sealant		20 GRAM
	VOE11713514	REQ							Sealant		(VOE1161231)304 ML
18	VOE13966364	8							Flange screw		L = 70 MM
	VOE13966366	2							Flange screw		L = 90 MM
	VOE13966371	2							Flange screw		L = 140 MM

Date: <b>2014/1/8</b>	Image id: <b>1057669</b>	Catalogue: <b>20100</b>	Model: <b>EC330C L</b>
Brand: <b>Volvo</b>	Serial: <b>110001-, 140001-</b>	Group/Section: <b>217/100</b>	Title: <b>Oil sump ENG - 635569</b>



Section option	Kit	Option description
VOE8188756		Engine D12D TIER 3
VOE8188757		Engine D12D-P
VOE8188768		Engine D12DEBE3
VOE8280231		Engine with Epa label EMISSION CERTIFICATED FROM EU&EPA

Q1-Q5	Option	Option description
Q1 ENG - 633285		
Q2 ENG 633286 -		

Pos	Part	Q1	Q2	Q3	Q4	Q5	PS	Kit	Description	Option(s)	Remark
	VOE11423477	1							Oil pan		
	VOE15032722		1						Oil sump		
1	VOE11423475	1					OP		•Oil pan		
1	VOE15032514		1				NS		•Oil Pan		
2	VOE20724256	2	2						•Pipe		



**Suggest:**

**For more complete manuals. Please go to the home page.**

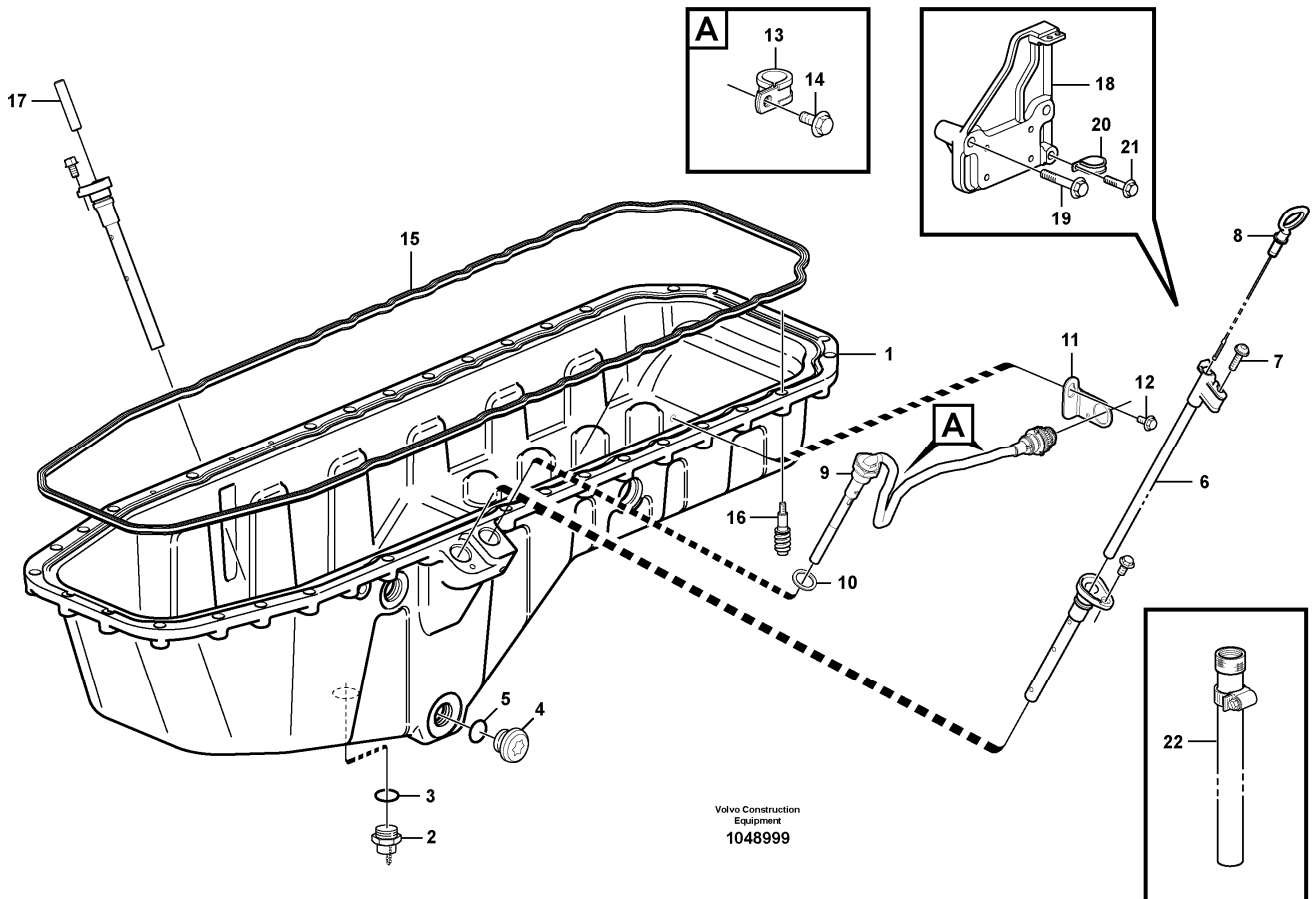
**<https://www.ebooklibonline.com>**

**If the above button click is invalid. Please download this document first, and then click the above link to download the complete manual.**

**Thank you so much for reading**

3	VOE946440	2	2						•Flange screw		
4	VOE24424110	1							•Oil Lvl Sensor		SE2202, SE2205
5	VOE990719	1	1						••O-ring		
6	VOE13948356	3	3						•Flange screw		
7	VOE953035	2	2						•Stud		
8	VOE13949278	2	2						•Flange lock nut		
9	VOE20700754	3	3						•Retainer		
10	VOE13960638	1	1						•Plug		
11	VOE982509	1	1						•Gasket		
12	VOE11423224	1	1						•Tube		
13	VOE7025167	1	1						•Hollow screw		
14	VOE976929	2	2						•Gasket		
15	VOE11423005	1	1						Pipe		
16	VOE20364858	1	1						•Bracket		
	VOE11423151	1	1				NS		•Plastic Pipe		
17	VOE11423006	1	1						Oil Dipstick		
18	VOE949187	2	2						•O-ring		
19	VOE975371	1	1						Six point socket screw		
20	VOE20538726	30	30						Flange screw		
21	VOE20532272	1	1						Sealing strip		
22	VOE11127320	1	1						Hose		

Date: <b>2014/1/8</b>	Image id: <b>1048999</b>	Catalogue: <b>20100</b>	Model: <b>EC330C L</b>
Brand: <b>Volvo</b>	Serial: <b>110001-, 140001-</b>	Group/Section: <b>217/200</b>	Title: <b>Oil sump / oil dipstick ENG 635570 -</b>



Section option	Kit	Option description
VOE8188757		Engine D12D-P
VOE8280231		Engine with Epa label EMISSION CERTIFICATED FROM EU&EPA

Q1-Q5	Option	Option description
Q1 ENG - 650902		
Q2 ENG 650903 -		

Pos	Part	Q1	Q2	Q3	Q4	Q5	PS	Kit	Description	Option(s)	Remark
1		1	1						Oil Pan		See ref 217/300
2	VOE11127648	1					SS		Valve		
2	VOE15128018		1						Valve		
3	VOE982509	1	1						•Gasket		
4	VOE11127354	1	1						Plug		
5	VOE13948610	1	1						O-ring		
6	VOE11423484	1	1						Oil dipstick		

**<https://www.ebooklibonline.com>**

Hello dear friend!

Thank you very much for reading.

Enter the link into your browser.

The full manual is available for immediate download.

**<https://www.ebooklibonline.com>**