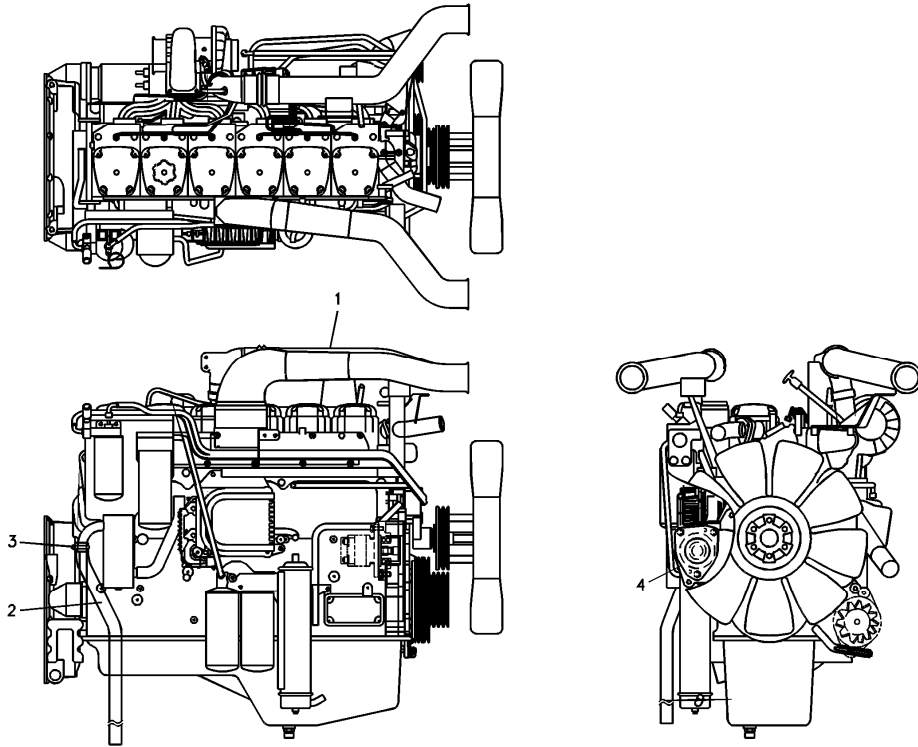


Date: 2014/1/7	Image id: SX101	Catalogue: 56138	Model: EC330B LC
Brand: Volvo	Serial: 10001-10712	Group/Section: 210/100	Title: Engine D10B ENGINE



Volvo Construction
Equipment
SX101

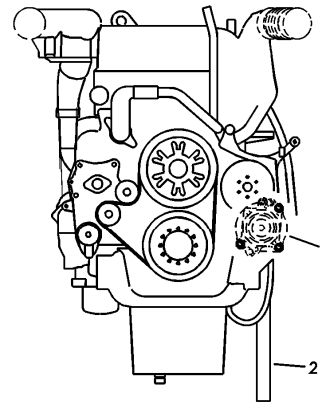
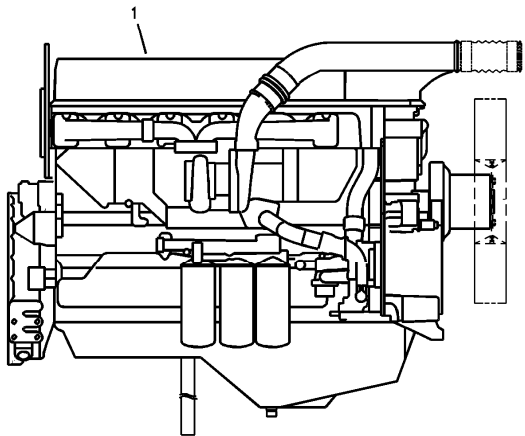
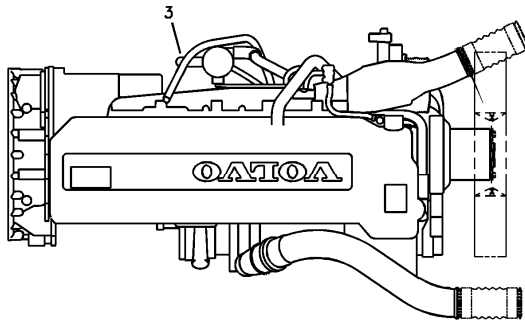
Section option	Kit	Option description
VOE8277717		Basic Machine EC330B
VOE8277356	VOE14515976	Leak-off line for slope-rotator on basic machine
VOE8278903		Engine with Epa label EMISSION CERTIFICATED FROM EPA
VOE8278904		Engine with Eu label EMISSION CERTIFICATED FROM EU
VOE8278905		Engine without Epa label INT AND KOREAN MARKET

Q1-Q5	Option	Option description	
Q1 8277717 S/N -10134	VOE8277717	Basic Machine EC330B	
Q2 8278903 S/N -10235	VOE8278903	Engine with Epa label EMISSION CERTIFICATED FROM EPA	
Q3 8278904 S/N -10235	VOE8278904	Engine with Eu label EMISSION CERTIFICATED FROM EU	
Q4 8278905 S/N -10235	VOE8278905	Engine without Epa label INT AND KOREAN MARKET	
Q5 8277356 S/N	VOE8277356	Leak-off line for slope-rotator on basic machine	

-10235

Pos	Part	Q1	Q2	Q3	Q4	Q5	PS	Kit	Description	Option(s)	Remark
1	VOE15004209	1							Engine		(VOE8188147)D10B EAE2
	VOE15004209		1						Engine		(VOE8188147)D10B EAE2 for USA
	VOE8188154			1					Engine		D10B EBE2 for EU
	VOE8188155				1				Engine		D10B ECE2 for INT
2	VOE14500434	1	1	1	1				Hose		
3	SA9312-10175	1	1	1	1				Clamp		
4	VOE11162404					1			Bearing Housing		SER NO 10001-10020
	VOE11129054					1			Bearing Housing		SER NO 10021-

Date: 2014/1/7	Image id: 1009840	Catalogue: 56138	Model: EC330B LC
Brand: Volvo	Serial: 10001-10712	Group/Section: 210/150	Title: Engine D12C ENGINE



Volvo Construction
Equipment
1009840

Section option	Kit	Option description
VOE8279097		Engine with Epa label EMISSION CERTIFICATED FROM EPA
VOE8279098		Engine with Eu label EMISSION CERTIFICATED FROM EU
VOE8279099		Engine without Epa label INT AND KOREAN MARKET
VOE8279120	VOE14525361	Leak-off line for slope-rotator on basic machine

Q1-Q5	Option	Option description	
Q1 8279097 S/N 10236-	VOE8279097	Engine with Epa label EMISSION CERTIFICATED FROM EPA	
Q2 8279098 S/N 10236-	VOE8279098	Engine with Eu label EMISSION CERTIFICATED FROM EU	
Q3 8279099 S/N 10236-	VOE8279099	Engine without Epa label INT AND KOREAN MARKET	
Q4 8279120 S/N 10236-	VOE8279120	Leak-off line for slope-rotator on basic machine	

Pos	Part	Q1	Q2	Q3	Q4	Q5	PS	Kit	Description	Option(s)	Remark
-----	------	----	----	----	----	----	----	-----	-------------	-----------	--------

<https://www.ebooklibonline.com>

Hello dear friend!

Thank you very much for reading.

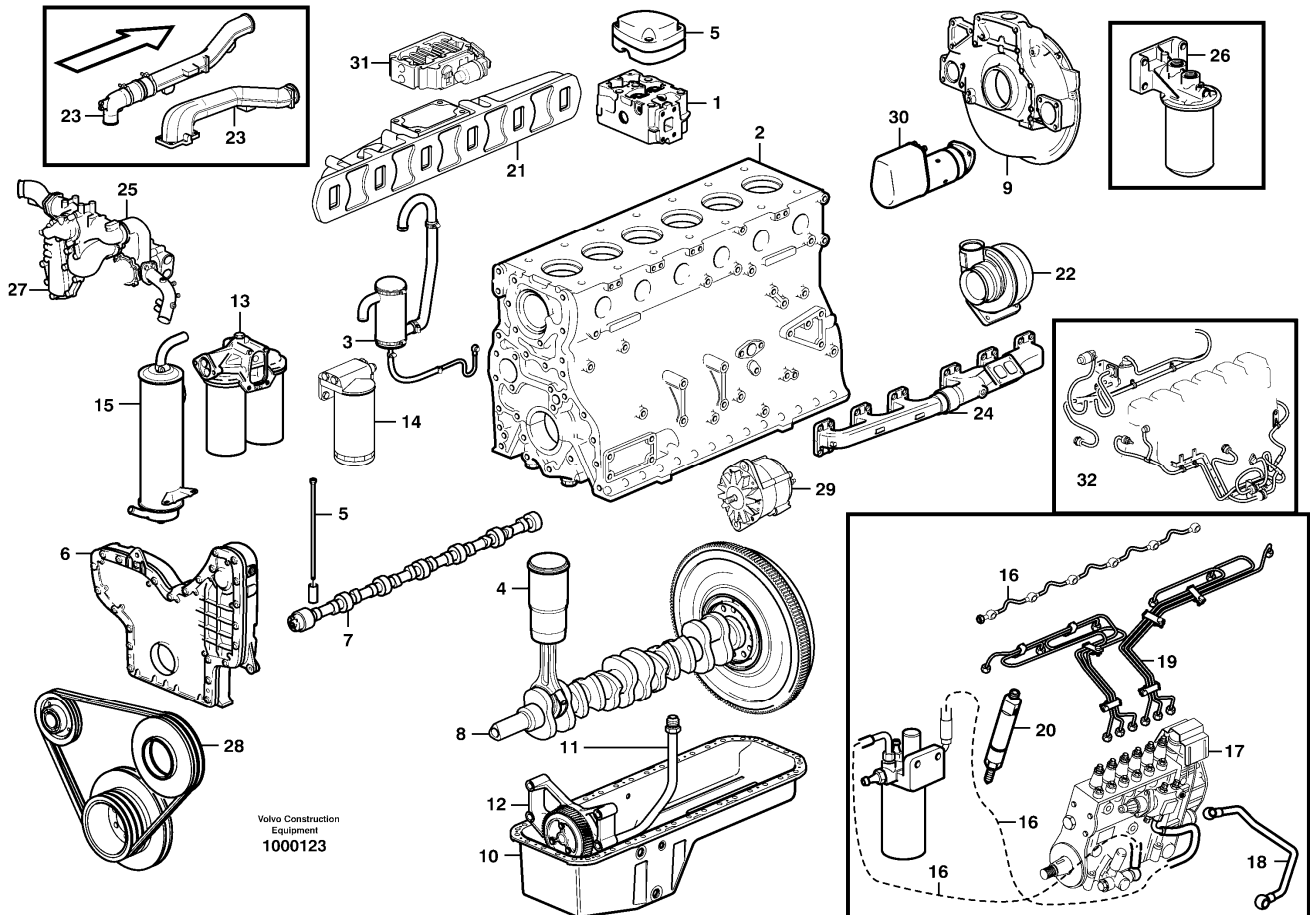
Enter the link into your browser.

The full manual is available for immediate download.

<https://www.ebooklibonline.com>

1	VOE15002877	1							Engine		(VOE8188176)D12C ECE2 for USA
	VOE8188177		1				SS		Engine		D12C EDE2 for EU
	VOE8188178			1					Engine		D12C EEE2 for INT
2	VOE14881131	1	1	1					Hose		
3	SA9312-10175	1	1	1					Clamp		
4	VOE11128860				1				Power Take-off		

Date: 2014/1/7	Image id: 1000123	Catalogue: 56138	Model: EC330B LC
Brand: Volvo	Serial: 10001-10712	Group/Section: 210/300	Title: Engine D10B ENGINE



Volvo Construction
Equipment
1000123

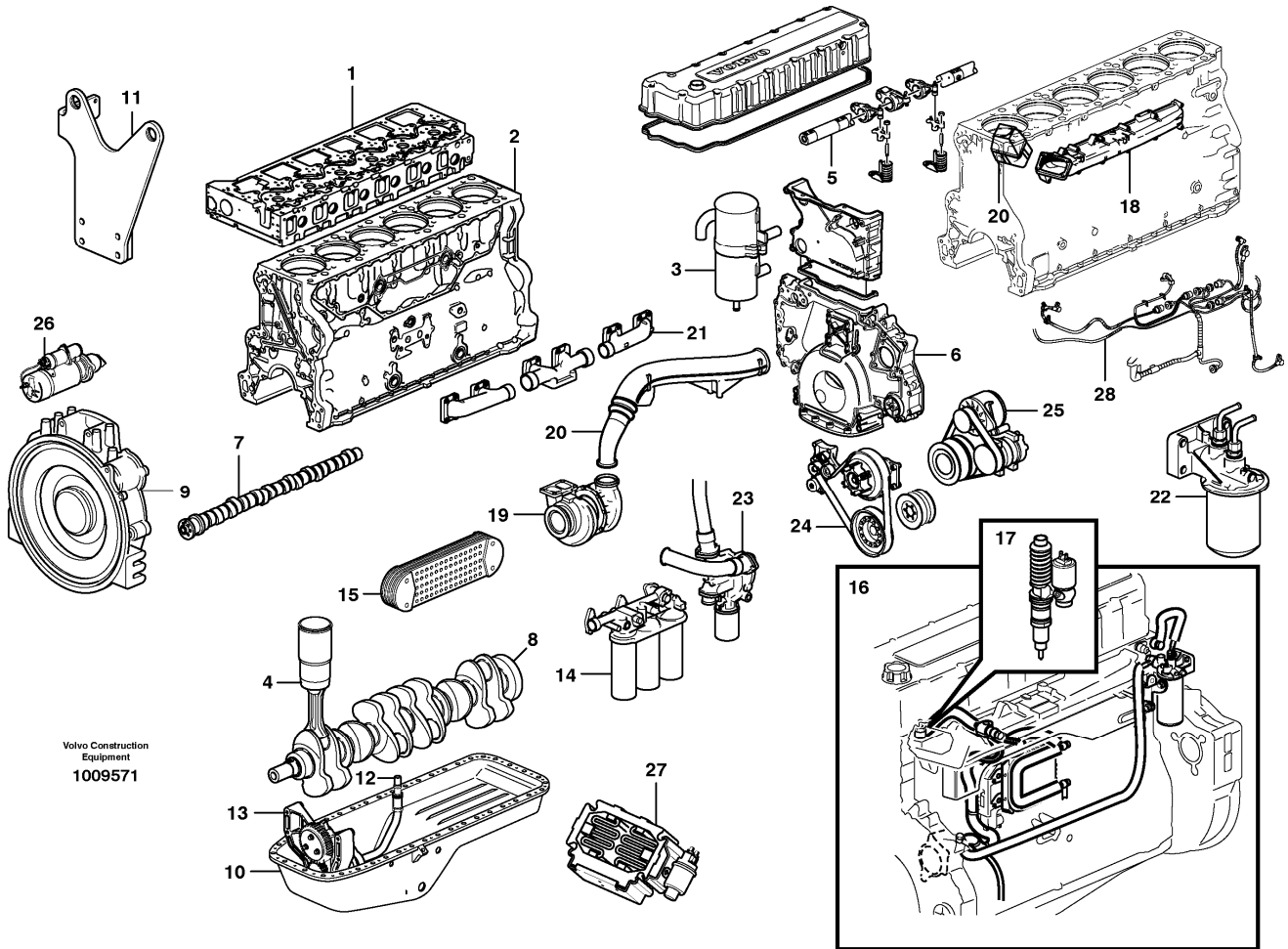
Section option	Kit	Option description
VOE8277717		Basic Machine EC330B
VOE8278903		Engine with Epa label EMISSION CERTIFICATED FROM EPA
VOE8278904		Engine with Eu label EMISSION CERTIFICATED FROM EU
VOE8278905		Engine without Epa label INT AND KOREAN MARKET

Q1-Q5	Option	Option description	
Q1 8277717 S/N -10134	VOE8277717	Basic Machine EC330B	
Q2 8278903 S/N -10235	VOE8278903	Engine with Epa label EMISSION CERTIFICATED FROM EPA	
Q3 8278904 S/N -10235	VOE8278904	Engine with Eu label EMISSION CERTIFICATED FROM EU	
Q4 8278905 S/N -10235	VOE8278905	Engine without Epa label INT AND KOREAN MARKET	

Pos	Part	Q1	Q2	Q3	Q4	Q5	PS	Kit	Description	Option(s)	Remark
-----	------	----	----	----	----	----	----	-----	-------------	-----------	--------

	VOE15004209	1							Engine		(VOE8188147)D10B EAE2 SER NO 10001-10134
	VOE15004209		1						Engine		(VOE8188147)D10B EAE2 for USA SER NO 10135-
	VOE8188154			1					Engine		D10B EBE2 for EU SER NO 10135-
	VOE8188155				1				Engine		D10B ECE2 for INT SER NO 10135-
1		2	2	2	2				•Cylinder head		
2		1	1	1	1				•Cylinder block		
3		1	1	1	1				•Crankcase ventilation		
4		6	6	6	6				•Cylinder liner		
5		1	1	1	1				•Valve mechanism		
6		1	1	1	1				•Timing gear casing		
7		1	1	1	1				•Camshaft		
8		1	1	1	1				•Crankshaft		
9		1	1	1	1				•Flywheel housing		
10		1	1	1	1				•Oil sump		
11		1	1	1	1				•Lubricating system		
12		1	1	1	1				••Oil pump		
13		1	1	1	1				•Oil filter		
14		1	1	1	1				•Oljefilter by pass		
15		1	1	1	1				•Oil cooler		
16		1	1	1	1				•Fuel pipes, radiator		
17		1	1	1	1				•Injection pump with f		
18		1	1	1	1				•Fuel system, oil pump		
19		1	1	1	1				•Fuel lines, injectors		
20		1	1	1	1				••Injector		
21		1	1	1	1				•Inlet pipe		
22		1	1	1	1				•Turbocharger		
23		1	1	1	1				•Charge air cooler		
24		1	1	1	1				•Exhaust pipe		
25		1	1	1	1				•Cooling system		
26		1	1	1	1				•Coolant filter		
27		1	1	1	1				•Water pump and thermo		
28		1	1	1	1				•Belt transmission		
29		1	1	1	1				•Alternator with fitti		
30		1	1	1	1				•Starter motor		
31		1	1	1	1				•Pre-heater with relay		
32		1	1	1	1				•Cable harness, ECU		

Date: 2014/1/7	Image id: 1009571	Catalogue: 56138	Model: EC330B LC
Brand: Volvo	Serial: 10001-10712	Group/Section: 210/350	Title: Engine D12C ENGINE



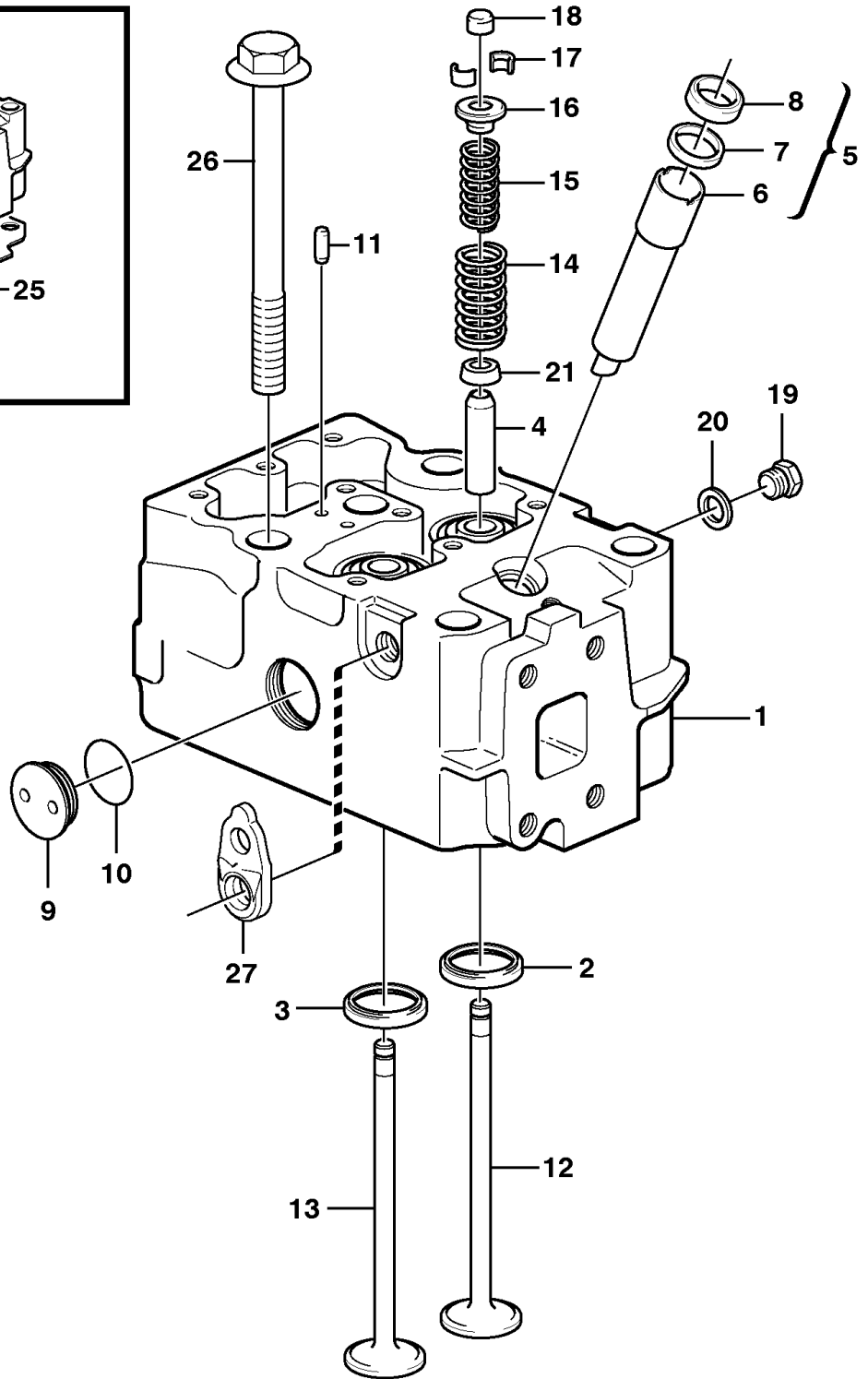
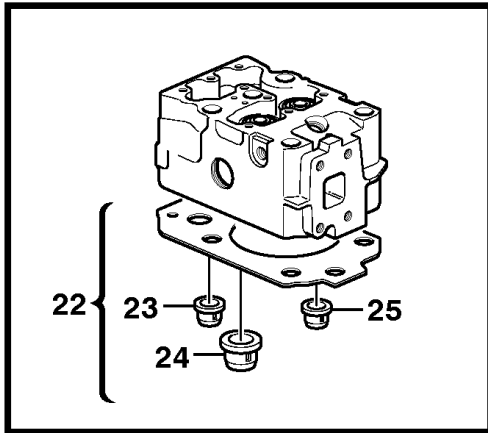
Section option	Kit	Option description
VOE8279097		Engine with Epa label EMISSION CERTIFICATED FROM EPA
VOE8279098		Engine with Eu label EMISSION CERTIFICATED FROM EU
VOE8279099		Engine without Epa label INT AND KOREAN MARKET

Q1-Q5	Option	Option description	
Q1 8279097 S/N 10236-	VOE8279097	Engine with Epa label EMISSION CERTIFICATED FROM EPA	
Q2 8279098 S/N 10236-	VOE8279098	Engine with Eu label EMISSION CERTIFICATED FROM EU	
Q3 8279099 S/N 10236-	VOE8279099	Engine without Epa label INT AND KOREAN MARKET	

Pos	Part	Q1	Q2	Q3	Q4	Q5	PS	Kit	Description	Option(s)	Remark
	VOE15002877	1							Engine		(VOE8188176)D12C

										ECE2 for USA	
	VOE8188177		1				SS		Engine		D12C EDE2 for EU
	VOE8188178			1					Engine		D12C EEE2 for INT
1		2	2	2					•Cylinder head		See ref 211/200
2		1	1	1					•Cylinder block		See ref 212/150
3		1	1	1					•Crankcase ventilation		See ref 212/350
4		6	6	6					•Cylinder liner		See ref 213/150
5		1	1	1					•Valve mechanism		See ref 214/150
6		1	1	1					•Timing gear casing		See ref 215/150
7		1	1	1					•Camshaft		See ref 215/250
8		1	1	1					•Crankshaft		See ref 216/150
9		1	1	1					•Flywheel housing		See ref 216/250
10		1	1	1					•Oil sump		See ref 217/150
11		1	1	1					•Engine mounting		See ref 218/200
12		1	1	1					•Lubricating system		See ref 221/150
13		1	1	1					••Oil pump		See ref 221/250
14		1	1	1					•Oil filter		See ref 222/150
15		1	1	1					•Oil cooler		See ref 223/250
16		1	1	1					•Fuel pipes		See ref 235/350
17		1	1	1					••Injector		See ref 237/250
18		1	1	1					•Inlet pipe		See ref 251/150
19		1	1	1					•Turbocharger		See ref 255/150
20		1	1	1					•Charge air cooler		See ref 258/150
21		1	1	1					•Exhaust pipe		
22		1	1	1					•Coolant filter		See ref 261/750
23		1	1	1					•Water pump and thermo		See ref 262/150
24		1	1	1					•Belt transmission		See ref 263/150
25		1	1	1					•Alternator with fitti		See ref 321/150
26		1	1	1					•Starter motor		See ref 331/150
27		1	1	1					•Starter Element		See ref 333/250
28		1	1	1					•Cable harness, ECU		See ref 371/300

Date: 2014/1/7	Image id: XB101	Catalogue: 56138	Model: EC330B LC
Brand: Volvo	Serial: 10001-10712	Group/Section: 211/100	Title: Cylinder head D10B ENGINE



Volvo Construction
Equipment
XB 101

Section option	Kit	Option description
VOE8277717		Basic Machine EC330B

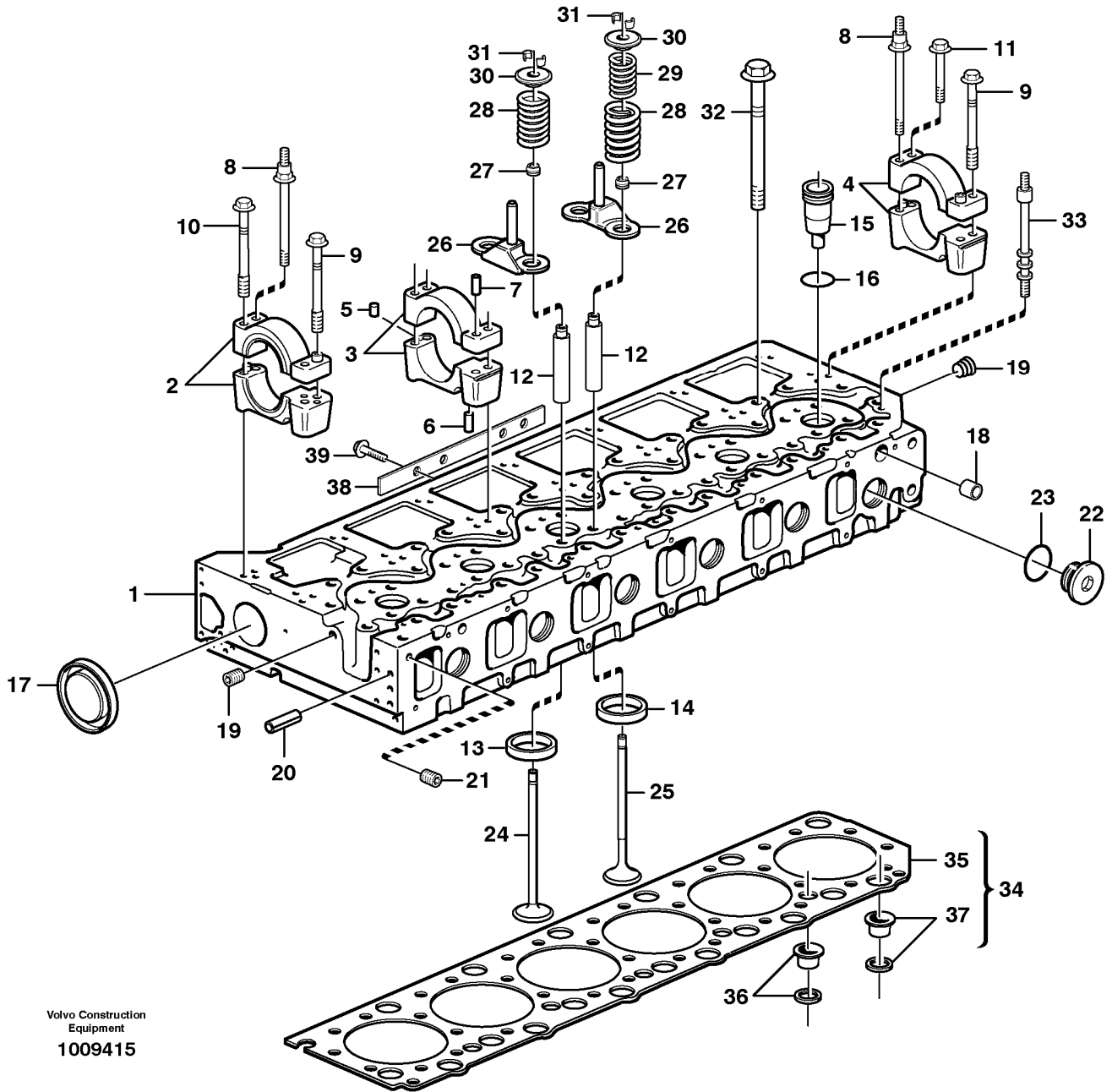
VOE8278903		Engine with Epa label EMISSION CERTIFICATED FROM EPA
VOE8278904		Engine with Eu label EMISSION CERTIFICATED FROM EU
VOE8278905		Engine without Epa label INT AND KOREAN MARKET

Q1-Q5	Option	Option description	
Q1 8277717 S/N -10134	VOE8277717	Basic Machine EC330B	
Q2 8278903 S/N -10235	VOE8278903	Engine with Epa label EMISSION CERTIFICATED FROM EPA	
Q3 8278904 S/N -10235	VOE8278904	Engine with Eu label EMISSION CERTIFICATED FROM EU	
Q4 8278905 S/N -10235	VOE8278905	Engine without Epa label INT AND KOREAN MARKET	

Pos	Part	Q1	Q2	Q3	Q4	Q5	PS	Kit	Description	Option(s)	Remark
	VOE8194497	1	1	1	1				Cylinder head		
	8194495	1	1	1	1		NS		•Cylinder head		
1	8194496	1	1	1	1		NS		••Cylinder head		
2	VOE467474	6	6	6	6				••Valve seat		STD SZ, Inlet
	VOE467590	6	6	6	6				••Valve seat		0,2 MM, O SZ, Inlet
3	VOE8194296	6	6	6	6				••Valve seat		STD SZ, Outlet
	VOE8194297	6	6	6	6				••Valve seat		0,2 MM, O SZ, Outlet
4	VOE11129092	12	12	12	12				••Valve guide		See footnote 1)
5	VOE270946	6	6	6	6				••Repair kit		
6	VOE479163	6	6	6	6				•••Sleeve		
7	VOE466405	6	6	6	6				•••Sealing ring		
8	VOE466420	6	6	6	6				•••Ring		
9	VOE8194467	12	12	12	12				••Plug		
10	VOE13949762	12	12	12	12				••O-ring		
11	VOE14025455	12	12	12	12				••Cylinder Pin		
12	VOE8194223	6	6	6	6				•Inlet valve		
13	VOE8194224	6	6	6	6				•Exhaust valve		
14	VOE467334	12	12	12	12				•Valve spring		
15	VOE467335	12	12	12	12				•Valve spring		
16	VOE467506	12	12	12	12				•Washer		
17	VOE468305	24	24	24	24				•Valve Collet		
18	VOE478074	12	12	12	12				•Valve cap		
19	VOE941876	12	12	12	12				•Plug		
20	VOE7018666	12	12	12	12				•Gasket		
21	VOE864860	12	12	12	12				Valve seal		
22	VOE270789	6	6	6	6				Gasket kit		
23	VOE422413	6	6	6	6				•Sealing ring		OD = 11 MM
24	VOE422414	12	12	12	12				•Sealing ring		OD = 32 MM
25	VOE422415	12	12	12	12				•Sealing ring		OD = 18 MM
26	VOE422086	24	24	24	24				Screw		
27	VOE479260	6	6	6	6				Gasket		

1) Replacement version

Date: 2014/1/7	Image id: 1009415	Catalogue: 56138	Model: EC330B LC
Brand: Volvo	Serial: 10001-10712	Group/Section: 211/200	Title: Cylinder head D12C ENGINE



Volvo Construction
Equipment
1009415

Section option	Kit	Option description
VOE8279097		Engine with Epa label EMISSION CERTIFICATED FROM EPA
VOE8279098		Engine with Eu label EMISSION CERTIFICATED FROM EU
VOE8279099		Engine without Epa label INT AND KOREAN MARKET

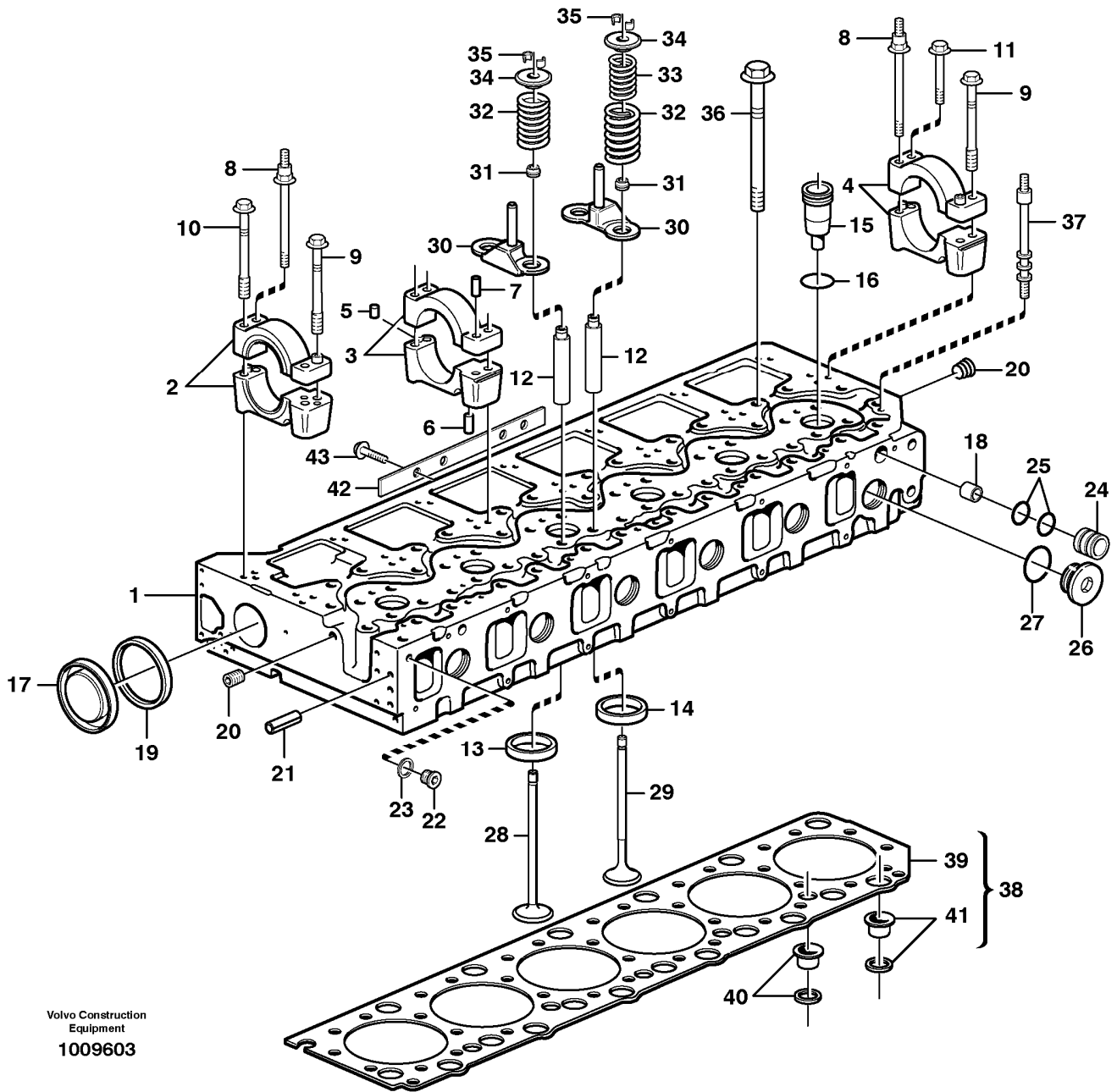
Q1-Q5	Option	Option description
Q1 8279097 S/N	VOE8279097	Engine with Epa label EMISSION CERTIFICATED FROM EPA

10236-			
Q2 8279098 S/N 10236-	VOE8279098	Engine with Eu label EMISSION CERTIFICATED FROM EU	
Q3 8279099 S/N 10236-	VOE8279099	Engine without Epa label INT AND KOREAN MARKET	

Pos	Part	Q1	Q2	Q3	Q4	Q5	PS	Kit	Description	Option(s)	Remark
	VOE24426420	1	1	1			SS		Cylinder head		
1	VOE20478371	1	1	1			OP		•Cylinder head		
2	VOE3165130	1	1	1					•Bearing housing		
3	VOE3165133	5	5	5					•Bearing housing		
4	VOE3165136	1	1	1					•Bearing housing		
5	VOE950542	7	7	7					••Pin		L = 14 MM
6	VOE950562	14	14	14					••Pin		L = 16 MM
7	VOE1677189	7	7	7			NS		••Sleeve		
8	VOE8170626	7	7	7					•Stud		
9	VOE1547889	14	14	14					•Screw		L = 127 MM
10	VOE1547888	1	1	1					•Screw		L = 106 MM
11	VOE1677283	6	6	6					•Screw		L = 70 MM
12	VOE3165303	24	24	24					•Valve Guide		
13	VOE20459329	12	12	12					•Valve seat		STD, Inlet
	VOE20459332	12	12	12			OP		•Valve seat		0,2 MM, O SZ, Inlet
14	VOE3169366	12	12	12					•Valve		STD, Exhaust
	VOE20411979	12	12	12					•Valve seat		0,2 MM, O SZ, Exhaust
15	VOE3183368	6	6	6					•Sleeve		
16	VOE3165747	6	6	6					•O-ring		
17	VOE8170553	1	1	1					•Cap plug		
18	VOE8131707	10	10	10					•Cap plug		
19	VOE13968062	2	2	2					Plug		
20	VOE422426	1	1	1					Pin		
21	VOE968060	1	1	1					Plug		
	VOE3165025	1	1	1			NS		Plug		
22	VOE3155171	1	1	1					•Plug		
23	VOE949659	1	1	1					•O-ring		
24	VOE20459326	12	12	12					Inlet valve		
25	VOE20441945	12	12	12					Exhaust valve		
26	VOE1677963	6	6	6					Guide pin		
27	VOE859171	24	24	24					Valve seal		
28	VOE3183210	24	24	24					Valve spring		
29	VOE3183211	12	12	12					Valve spring		
30	VOE1546487	24	24	24					Valve spring washer		
31	VOE1677875	48	48	48					Valve Collet		
32	VOE1547419	38	38	38					Screw		
33	VOE8148863	9	9	9					Stud		
34	VOE3099100	1	1	1					Gasket kit		
35	VOE20412953	1	1	1					•Gasket		
36		18	18	18			NS		•Sealing ring		

37		4	4	4			NS		•Sealing ring		
38	VOE3165098	1	1	1			NS		Strip		
39	VOE946441	2	2	2					Flange screw		

Date: 2014/1/7	Image id: 1009603	Catalogue: 56138	Model: EC330B LC
Brand: Volvo	Serial: 10001-10712	Group/Section: 211/300	Title: Cylinder head D12C ENGINE



Volvo Construction
Equipment
1009603

Section option	Kit	Option description
VOE8279097		Engine with Epa label EMISSION CERTIFICATED FROM EPA
VOE8279098		Engine with Eu label EMISSION CERTIFICATED FROM EU
VOE8279099		Engine without Epa label INT AND KOREAN MARKET

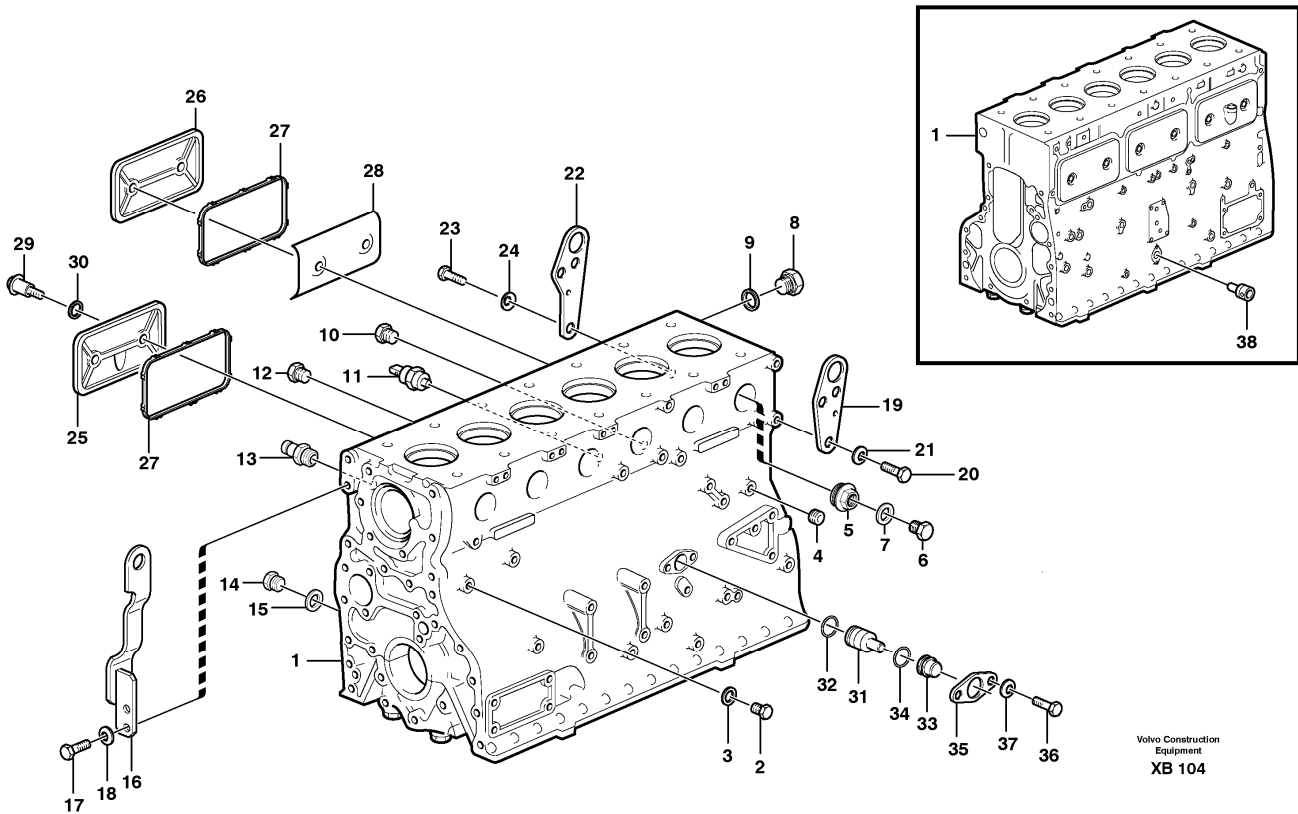
Q1-Q5	Option	Option description
Q1 8279097 S/N	VOE8279097	Engine with Epa label EMISSION CERTIFICATED FROM EPA

10236-			
Q2 8279098 S/N 10236-	VOE8279098	Engine with Eu label EMISSION CERTIFICATED FROM EU	
Q3 8279099 S/N 10236-	VOE8279099	Engine without Epa label INT AND KOREAN MARKET	

Pos	Part	Q1	Q2	Q3	Q4	Q5	PS	Kit	Description	Option(s)	Remark
	VOE20560797	1	1	1					Cylinder head		
	VOE24426420	1	1	1			SS		•Cylinder head		
1	VOE20478371	1	1	1			OP		••Cylinder head		
2	VOE3165130	1	1	1					••Bearing housing		
3	VOE3165133	5	5	5					••Bearing housing		
4	VOE3165136	1	1	1					••Bearing housing		
5	VOE950542	7	7	7					•••Pin		L = 14 MM
6	VOE950562	14	14	14					•••Pin		L = 16 MM
7	VOE1677189	7	7	7			NS		•••Sleeve		
8	VOE8170626	7	7	7					••Stud		
9	VOE1547889	14	14	14					••Screw		L = 127 MM
10	VOE1547888	1	1	1					••Screw		L = 106 MM
11	VOE1677283	6	6	6					••Screw		L = 70 MM
12	VOE3165303	24	24	24					••Valve Guide		
13	VOE20459329	12	12	12					••Valve seat		STD, Inlet
	VOE20459332	12	12	12			OP		••Valve seat		0,2 MM, O SZ, Inlet
14	VOE3169366	12	12	12					••Valve		STD, Exhaust
	VOE20411979	12	12	12					••Valve seat		0,2 MM, O SZ, Exhaust
15	VOE3183368	6	6	6					••Sleeve		
16	VOE20536487	6	6	6					••O-ring		
17	VOE8170553	1	1	1					••Cap plug		
18	VOE8131707	11	11	11					••Cap plug		
19	VOE1544710	1	1	1					•Sealing ring		
20	VOE13968062	2	2	2					•Plug		
21	VOE422426	1	1	1					•Pin		
22	VOE20441335	1	1	1					•Plug		
23	VOE13947281	1	1	1					•Gasket		
24	VOE20463179	1	1	1					•Adapter		
25	VOE13949721	2	2	2					•O-ring		
	VOE3165025	1	1	1			NS		•Plug		
26	VOE3155171	1	1	1					••Plug		
27	VOE949659	1	1	1					••O-ring		
28	VOE20459326	12	12	12					•Inlet valve		
29	VOE20441945	12	12	12					•Exhaust valve		
30	VOE1677963	6	6	6					•Guide pin		
31	VOE859171	24	24	24					•Valve seal		
32	VOE3183210	24	24	24					•Valve spring		
33	VOE3183211	12	12	12					•Valve spring		
34	VOE1546487	24	24	24					•Valve spring washer		
35	VOE1677875	48	48	48					•Valve Collet		

36	VOE1547419	38	38	38				Screw		
37	VOE8148863	9	9	9				Stud		
38	VOE3099100	1	1	1				Gasket kit		
39	VOE20412953	1	1	1				•Gasket		
40		18	18	18			NS	•Sealing ring		
41		4	4	4			NS	•Sealing ring		
42	VOE3165098	1	1	1			NS	Strip		
43	VOE946441	2	2	2				Flange screw		

Date: 2014/1/7	Image id: XB104	Catalogue: 56138	Model: EC330B LC
Brand: Volvo	Serial: 10001-10712	Group/Section: 212/100	Title: Cylinder block D10B ENGINE



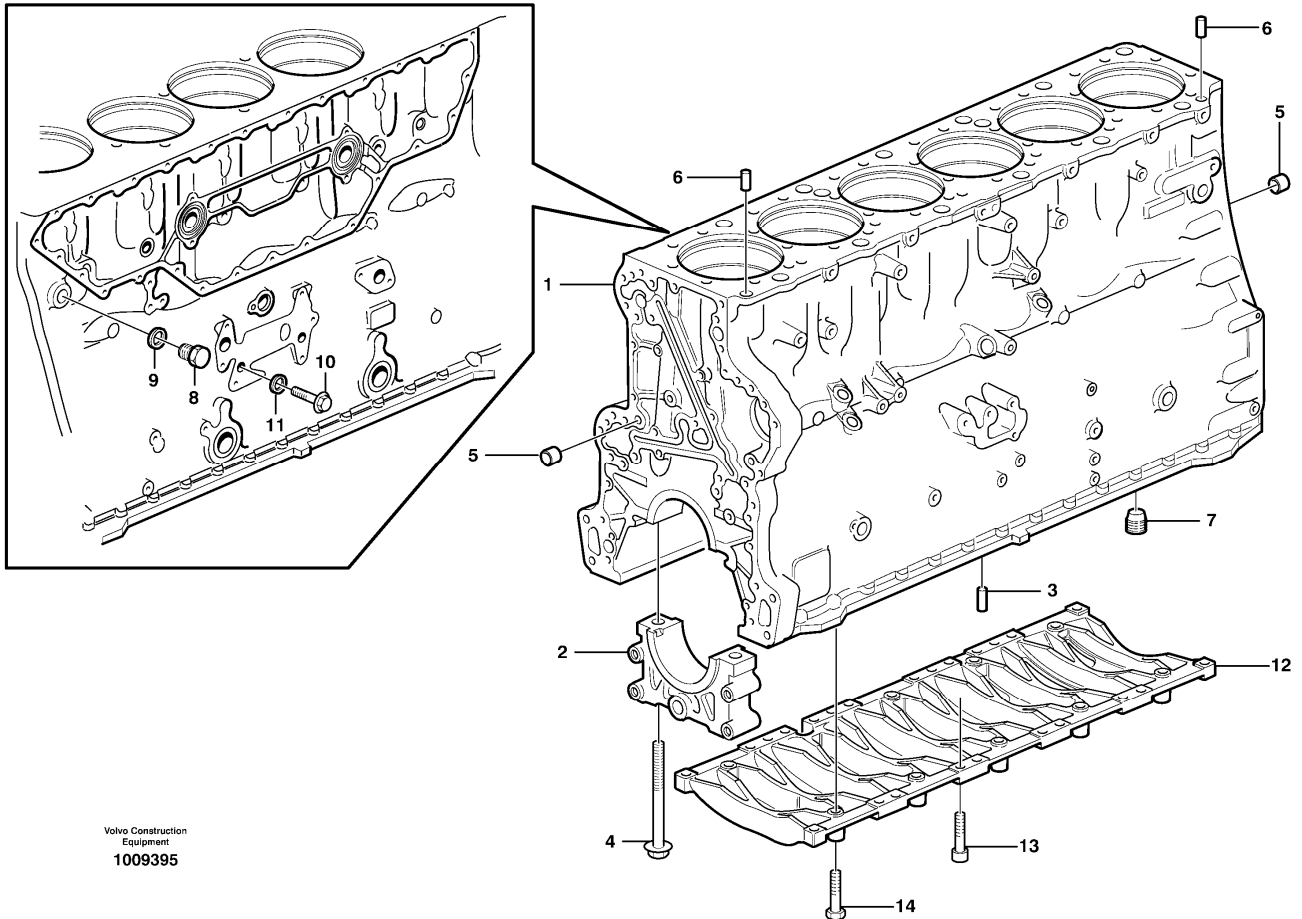
Section option	Kit	Option description
VOE8277717		Basic Machine EC330B
VOE8278903		Engine with Epa label EMISSION CERTIFICATED FROM EPA
VOE8278904		Engine with Eu label EMISSION CERTIFICATED FROM EU
VOE8278905		Engine without Epa label INT AND KOREAN MARKET

Q1-Q5	Option	Option description	
Q1 8277717 S/N -10134	VOE8277717	Basic Machine EC330B	
Q2 8278903 S/N -10235	VOE8278903	Engine with Epa label EMISSION CERTIFICATED FROM EPA	
Q3 8278904 S/N -10235	VOE8278904	Engine with Eu label EMISSION CERTIFICATED FROM EU	
Q4 8278905 S/N -10235	VOE8278905	Engine without Epa label INT AND KOREAN MARKET	

Pos	Part	Q1	Q2	Q3	Q4	Q5	PS	Kit	Description	Option(s)	Remark
1		1	1	1	1				Cylinder block		See ref 212/200

2	VOE864865	1	1	1	1			Plug		
3	VOE7011996	1	1	1	1			Gasket		
4	VOE479977	1	1	1	1			Plug		
5	VOE825815	1	1	1	1			Plug		
6	VOE13960634	1	1	1	1			Plug		
7	VOE13947627	1	1	1	1			Plane Gasket		
8	VOE422550	1	1	1	1			Fitting		
9	VOE468463	1	1	1	1			Gasket		
10	VOE13947814	1	1	1	1			Plug		
11	VOE1077574	1	1	1	1			Sensor		
12	VOE479979	4	4	4	4			Plug		
13	VOE13946121	1	1	1	1			Nipple		
14	VOE13948187	2	2	2	2			Plug		
15	VOE13947625	2	2	2	2			Plane Gasket		
16		1	1	1	1			Lifting eye		(VOE11031328)
17	VOE955561	2	2	2	2			Hexagon screw		
18	VOE940280	2	2	2	2			Spring Washer		
19	VOE422321	1	1	1	1			Lifting eye		
20	VOE955561	2	2	2	2			Hexagon screw		
21	VOE940280	2	2	2	2			Spring Washer		
22	VOE422322	1	1	1	1			Lifting eye		
23	VOE955561	1	1	1	1			Hexagon screw		L = 32 MM
	VOE13955572	1	1	1	1			Screw		L = 102 MM
24	VOE940280	2	2	2	2			Spring Washer		
25	VOE423121	1	1	1	1			Hatch		
26	VOE423120	2	2	2	2			Hatch		
27	VOE469823	3	3	3	3			Gasket		
28	VOE422542	1	1	1	1			Splash Plate		
29	VOE422541	6	6	6	6			Screw		
30	VOE471856	6	6	6	6			Sealing ring		
31	VOE8125388	1	1	1	1			Piston Cooling Valve		
	VOE466653	1	1	1	1			•Compression Spring		
32	VOE13949656	1	1	1	1			O-ring		
33	VOE424715	1	1	1	1			Plug		
34	VOE13949657	1	1	1	1			O-ring		
35	VOE424714	1	1	1	1			Flange		
36	VOE940100	2	2	2	2			Hexagon screw		
37	VOE13941906	2	2	2	2			Washer		
38		1	1	1	1			Reduction valve		

Date: 2014/1/7	Image id: 1009395	Catalogue: 56138	Model: EC330B LC
Brand: Volvo	Serial: 10001-10712	Group/Section: 212/150	Title: Cylinder block D12C ENGINE



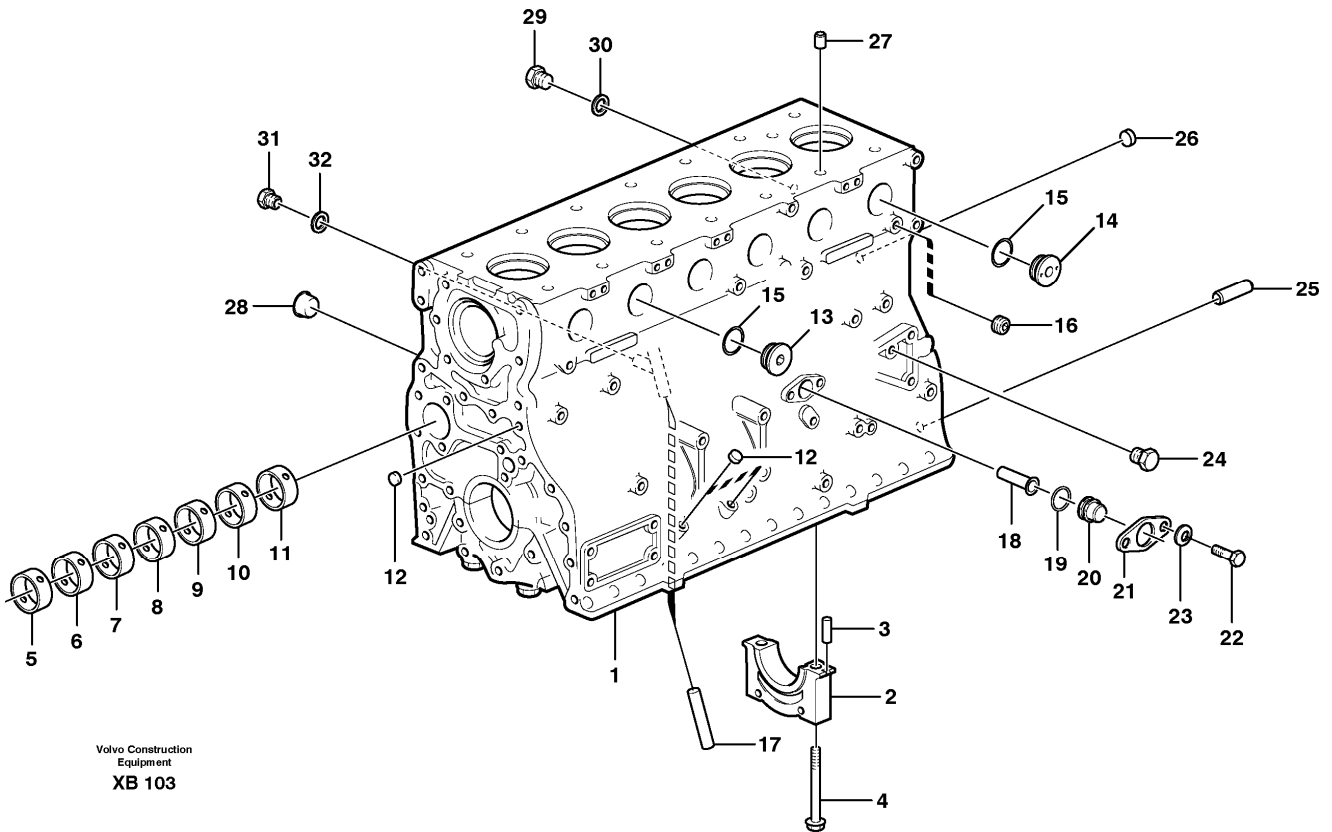
Section option	Kit	Option description
VOE8279097		Engine with Epa label EMISSION CERTIFICATED FROM EPA
VOE8279098		Engine with Eu label EMISSION CERTIFICATED FROM EU
VOE8279099		Engine without Epa label INT AND KOREAN MARKET

Q1-Q5	Option	Option description	
Q1 8279097 S/N 10236-	VOE8279097	Engine with Epa label EMISSION CERTIFICATED FROM EPA	
Q2 8279098 S/N 10236-	VOE8279098	Engine with Eu label EMISSION CERTIFICATED FROM EU	
Q3 8279099 S/N 10236-	VOE8279099	Engine without Epa label INT AND KOREAN MARKET	

Pos	Part	Q1	Q2	Q3	Q4	Q5	PS	Kit	Description	Option(s)	Remark
	VOE8130120	1	1	1			SS		Cylinder block		
1	VOE8130121	1	1	1			NS		•Cylinder Block		

2		7	7	7			NS		•Cap		
3	VOE422426	1	1	1					•Pin		
4	VOE1547040	14	14	14					•Screw		
5	VOE981735	3	3	3					Cap plug		
6	VOE8170389	2	2	2					Guide sleeve		
7	VOE8170666	1	1	1					Plug		
8	VOE13960634	1	1	1					Plug		
9	VOE13947627	1	1	1					Plane gasket		
10	VOE946440	1	1	1					Flange screw		
11	VOE7011992	1	1	1					Gasket		
12	VOE3183414	1	1	1					Frame		
13	VOE973523	20	20	20					Allen Hd Screw		
14	VOE13965187	6	6	6					Screw		

Date: 2014/1/7	Image id: XB103	Catalogue: 56138	Model: EC330B LC
Brand: Volvo	Serial: 10001-10712	Group/Section: 212/200	Title: Cylinder block D10B ENGINE



Volvo Construction
Equipment
XB 103

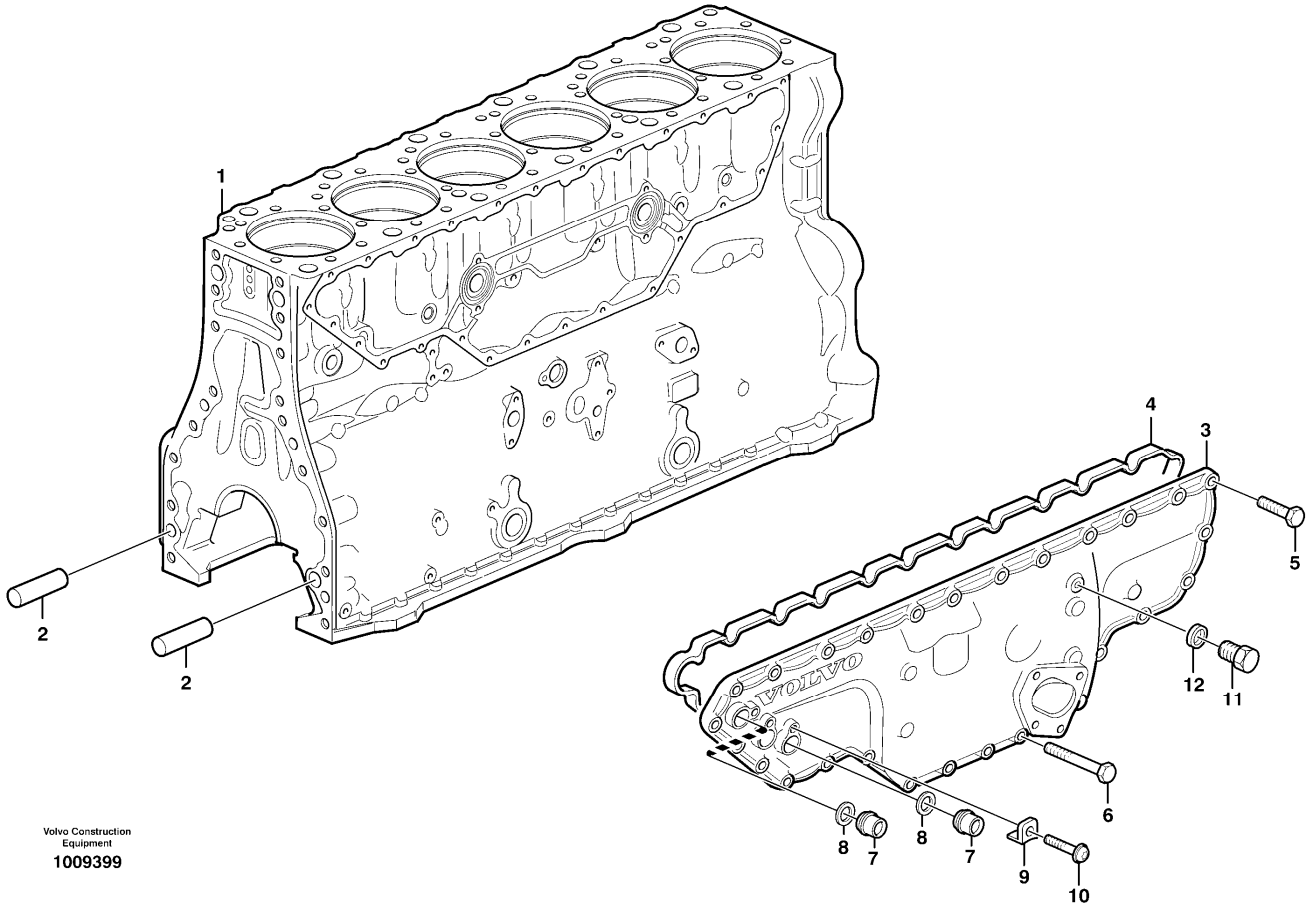
Section option	Kit	Option description
VOE8277717		Basic Machine EC330B
VOE8278903		Engine with Epa label EMISSION CERTIFICATED FROM EPA
VOE8278904		Engine with Eu label EMISSION CERTIFICATED FROM EU
VOE8278905		Engine without Epa label INT AND KOREAN MARKET

Q1-Q5	Option	Option description	
Q1 8277717 S/N -10134	VOE8277717	Basic Machine EC330B	
Q2 8278903 S/N -10235	VOE8278903	Engine with Epa label EMISSION CERTIFICATED FROM EPA	
Q3 8278904 S/N -10235	VOE8278904	Engine with Eu label EMISSION CERTIFICATED FROM EU	
Q4 8278905 S/N -10235	VOE8278905	Engine without Epa label INT AND KOREAN MARKET	

Pos	Part	Q1	Q2	Q3	Q4	Q5	PS	Kit	Description	Option(s)	Remark
	VOE8194668	1	1	1	1				Cylinder block		
1	VOE8194667	1	1	1	1		NS		•Cylinder block		

2		7	7	7	7		NS		•Cap		
3	VOE422426	1	1	1	1				•Pin		
4	VOE7422067	14	14	14	14				•Screw		
5	VOE422076	1	1	1	1				•Bushing		
6	VOE422077	1	1	1	1				•Bushing		
7	VOE422078	1	1	1	1				•Bushing		
8	VOE11000014	1	1	1	1				•Bushing		
9	VOE422080	1	1	1	1				•Bushing		
10	VOE422081	1	1	1	1				•Bushing		
11	VOE422082	1	1	1	1				•Bushing		
12	VOE955082	4	4	4	4				•Cap plug		
13	VOE467367	5	5	5	5				•Plug		
14	VOE821335	1	1	1	1				•Plug		
15	VOE1556907	6	6	6	6				•Gasket		
16	VOE952075	1	1	1	1				•Plug		
17	VOE468563	1	1	1	1		NS		•Tube assembly		
18	VOE424801	1	1	1	1				•Tube		
19	VOE13949657	1	1	1	1				•O-ring		
20	VOE424715	1	1	1	1				•Plug		
21	VOE424714	1	1	1	1				•Flange		
22	VOE955513	2	2	2	2				•Hexagon screw		
23	VOE13941906	2	2	2	2				•Washer		
24	VOE479979	7	7	7	7				•Plug		
25	VOE191171	2	2	2	2				•Pin		
26	VOE13955083	2	2	2	2				•Cap plug		
27	VOE14025455	12	12	12	12				•Cylinder Pin		
28	VOE422369	2	2	2	2				•Plug		
29	VOE13961892	1	1	1	1				•Plug		
30	VOE13947621	1	1	1	1				•Plane gasket		
31	VOE8194662	1	1	1	1				•Plug		
32	VOE7011996	1	1	1	1				•Gasket		

Date: 2014/1/7	Image id: 1009399	Catalogue: 56138	Model: EC330B LC
Brand: Volvo	Serial: 10001-10712	Group/Section: 212/250	Title: Cylinder block D12C ENGINE



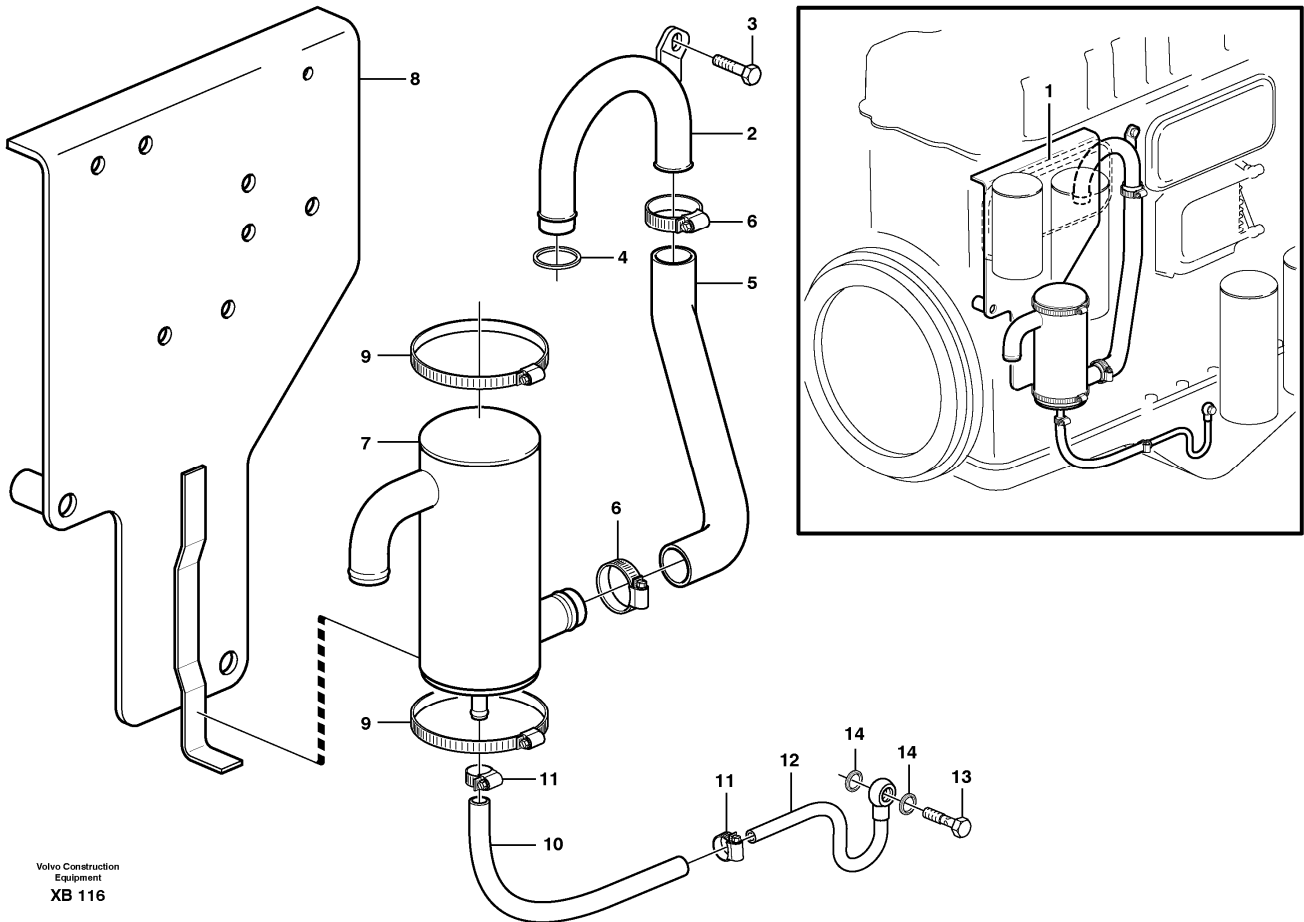
Section option	Kit	Option description
VOE8279097		Engine with Epa label EMISSION CERTIFICATED FROM EPA
VOE8279098		Engine with Eu label EMISSION CERTIFICATED FROM EU
VOE8279099		Engine without Epa label INT AND KOREAN MARKET

Q1-Q5	Option	Option description	
Q1 8279097 S/N 10236-	VOE8279097	Engine with Epa label EMISSION CERTIFICATED FROM EPA	
Q2 8279098 S/N 10236-	VOE8279098	Engine with Eu label EMISSION CERTIFICATED FROM EU	
Q3 8279099 S/N 10236-	VOE8279099	Engine without Epa label INT AND KOREAN MARKET	

Pos	Part	Q1	Q2	Q3	Q4	Q5	PS	Kit	Description	Option(s)	Remark
1		1	1	1					Cylinder block		
2	VOE8170389	2	2	2					Guide sleeve		

3	VOE20538056	1	1	1					Casing		
4	VOE1677656	1	1	1					Seal		
5	VOE13945444	20	20	20					Screw		L = 25 MM
6	VOE13965180	7	7	7					Screw		L = 60 MM
7	VOE1546528	2	2	2					Plug		
8	VOE1547252	2	2	2					Sealing ring		
9	VOE1546532	2	2	2					Lock		
10	VOE13972542	2	2	2					Six point socket screw		
11	VOE960631	2	2	2					Plug		
12	VOE7011996	2	2	2					Gasket		

Date: 2014/1/7	Image id: XB116	Catalogue: 56138	Model: EC330B LC
Brand: Volvo	Serial: 10001-10712	Group/Section: 212/300	Title: Crankcase ventilation D10B ENGINE

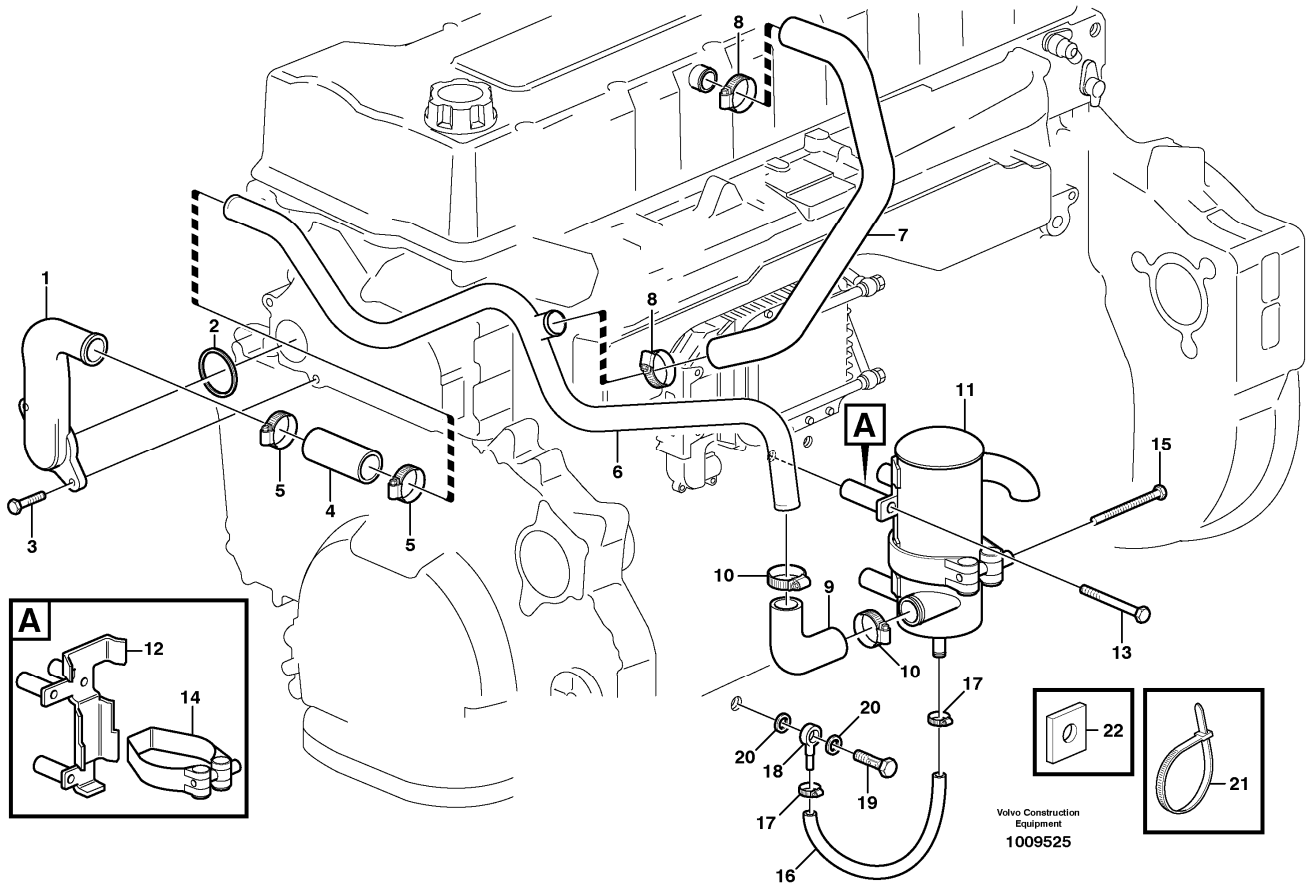


Section option	Kit	Option description
VOE8277717		Basic Machine EC330B
VOE8278903		Engine with Epa label EMISSION CERTIFICATED FROM EPA
VOE8278904		Engine with Eu label EMISSION CERTIFICATED FROM EU
VOE8278905		Engine without Epa label INT AND KOREAN MARKET

Q1-Q5	Option	Option description	
Q1 8277717 S/N -10134	VOE8277717	Basic Machine EC330B	
Q2 8278903 S/N -10235	VOE8278903	Engine with Epa label EMISSION CERTIFICATED FROM EPA	
Q3 8278904 S/N -10235	VOE8278904	Engine with Eu label EMISSION CERTIFICATED FROM EU	
Q4 8278905 S/N -10235	VOE8278905	Engine without Epa label INT AND KOREAN MARKET	

Pos	Part	Q1	Q2	Q3	Q4	Q5	PS	Kit	Description	Option(s)	Remark
1		1	1	1	1				Hatch		See ref 212/100
2	VOE11031304	1	1	1	1				Tube		
3	VOE942402	1	1	1	1				Flange screw		
4	VOE421158	1	1	1	1				Sealing ring		
5	VOE11129070	1	1	1	1				Hose		
6	VOE943475	2	2	2	2				Hose clamp		
7	VOE11033878	1	1	1	1				Oil trap		
8		1	1	1	1				Anchorage		See ref 222/300
9	VOE943483	2	2	2	2				Hose clamp		
10	VOE983342	REQ	REQ	REQ	REQ				Hose		(VOE977316)L = 350 MM
11	VOE943470	2	2	2	2				Hose clamp		
12	VOE11031940	1	1	1	1				Pipe		
13	VOE7025167	1	1	1	1				Hollow screw		
14	VOE13969011	2	2	2	2				Gasket		

Date: 2014/1/7	Image id: 1009525	Catalogue: 56138	Model: EC330B LC
Brand: Volvo	Serial: 10001-10712	Group/Section: 212/350	Title: Crankcase ventilation D12C ENGINE



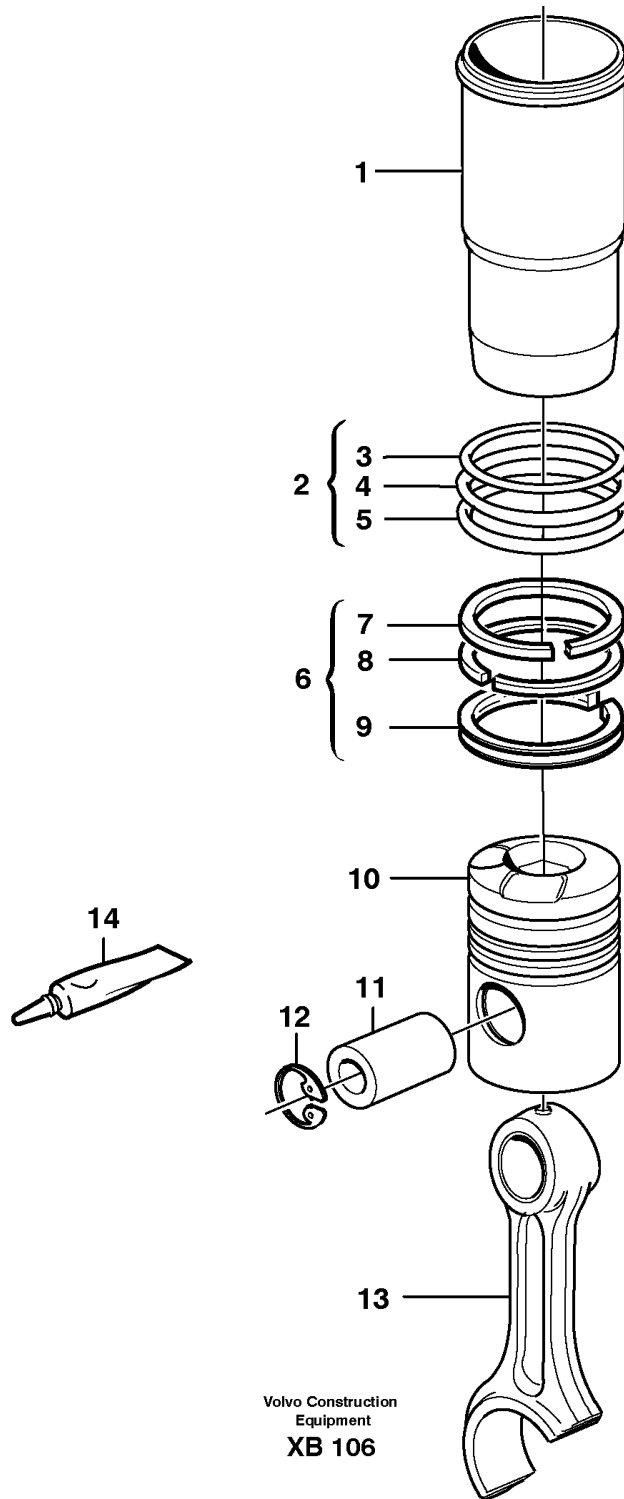
Section option	Kit	Option description
VOE8279097		Engine with Epa label EMISSION CERTIFICATED FROM EPA
VOE8279098		Engine with Eu label EMISSION CERTIFICATED FROM EU
VOE8279099		Engine without Epa label INT AND KOREAN MARKET

Q1-Q5	Option	Option description	
Q1 8279097 S/N 10236-	VOE8279097	Engine with Epa label EMISSION CERTIFICATED FROM EPA	
Q2 8279098 S/N 10236-	VOE8279098	Engine with Eu label EMISSION CERTIFICATED FROM EU	
Q3 8279099 S/N 10236-	VOE8279099	Engine without Epa label INT AND KOREAN MARKET	

Pos	Part	Q1	Q2	Q3	Q4	Q5	PS	Kit	Description	Option(s)	Remark
1	VOE11127358	1	1	1					Flange pipe		
2	VOE3165097	1	1	1					Sealing ring		
3	VOE13945444	2	2	2					Screw		

4	VOE11128750	1	1	1					Hose		L = 100 MM
5	VOE943476	2	2	2					Hose clamp		
6	VOE11128741	1	1	1					Tube		
7	VOE11128755	1	1	1					Hose		
8	VOE943476	2	2	2					Hose clamp		
9	VOE11128756	1	1	1					Hose		
10	VOE943476	2	2	2					Hose clamp		
11	VOE11033878	1	1	1					Oil trap		
12	VOE11128998	1	1	1					Attachment		
13	VOE13965188	3	3	3					Screw		
14	VOE420914	1	1	1					Tensioning Band		
15	VOE1545257	1	1	1					Screw		
16	VOE983342	1	1	1					Hose		L = 480 MM
17	VOE943471	2	2	2					Hose clamp		
18	VOE11423224	1	1	1					Tube		
19	VOE7025167	1	1	1					Hollow screw		
20	VOE976929	2	2	2					Gasket		
21	VOE4881440	1	1	1					Cable tie		
22	VOE1581464	1	1	1					Washer		

Date: 2014/1/7	Image id: XB106	Catalogue: 56138	Model: EC330B LC
Brand: Volvo	Serial: 10001-10712	Group/Section: 213/100	Title: Cylinder liner and piston D10B ENGINE



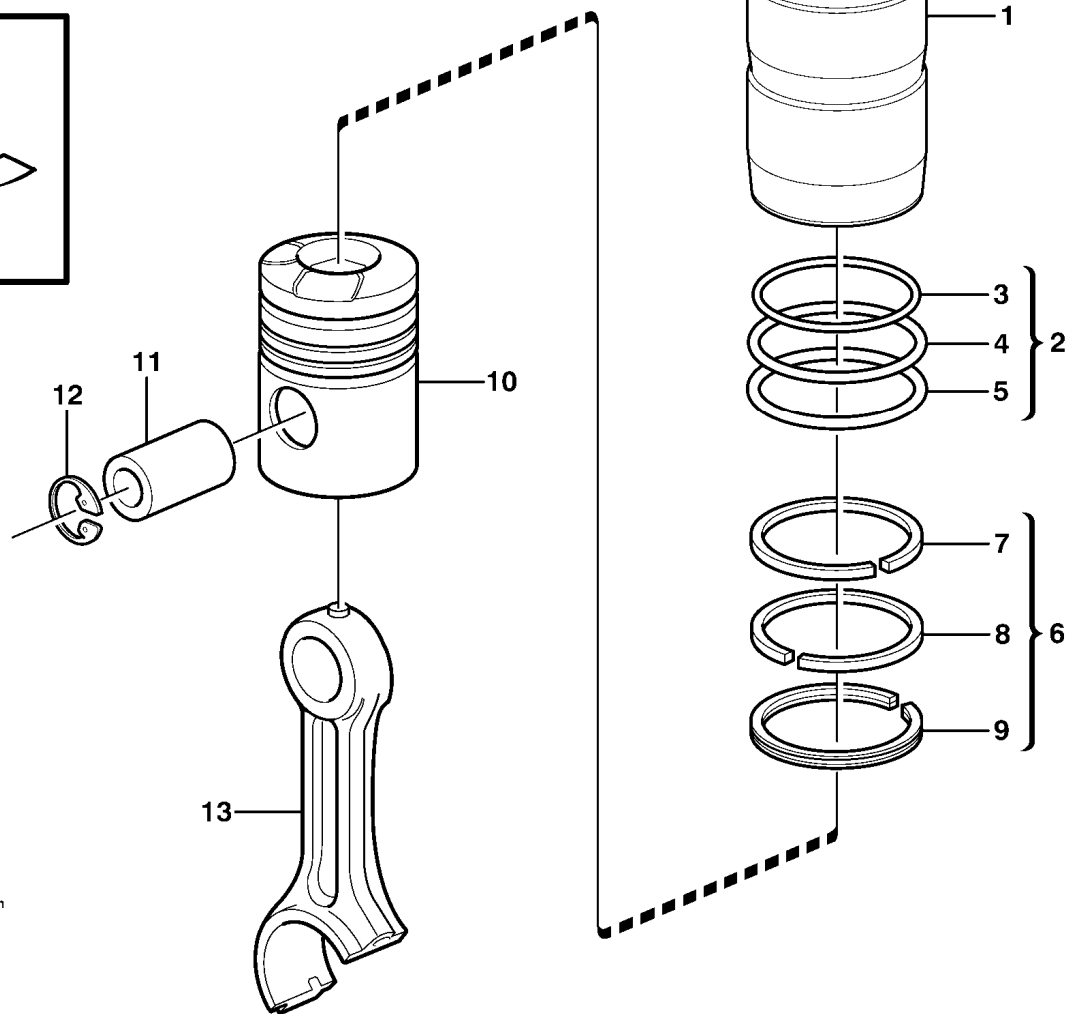
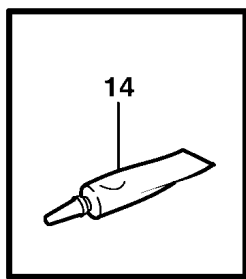
Section option	Kit	Option description
VOE8277717		Basic Machine EC330B

VOE8278903		Engine with Epa label EMISSION CERTIFICATED FROM EPA
VOE8278904		Engine with Eu label EMISSION CERTIFICATED FROM EU
VOE8278905		Engine without Epa label INT AND KOREAN MARKET

Q1-Q5	Option	Option description	
Q1 8277717 S/N -10134	VOE8277717	Basic Machine EC330B	
Q2 8278903 S/N -10235	VOE8278903	Engine with Epa label EMISSION CERTIFICATED FROM EPA	
Q3 8278904 S/N -10235	VOE8278904	Engine with Eu label EMISSION CERTIFICATED FROM EU	
Q4 8278905 S/N -10235	VOE8278905	Engine without Epa label INT AND KOREAN MARKET	

Pos	Part	Q1	Q2	Q3	Q4	Q5	PS	Kit	Description	Option(s)	Remark
	VOE11705058	6	6	6	6				Cylinder liner kit		
1	VOE8194050	6	6	6	6		OP		•Cylinder Liner		
2	VOE271157	6	6	6	6				••Sealing Kit		
3	VOE422713	6	6	6	6		NS		••Sealing ring		UPPER
4	VOE1546229	6	6	6	6		NS		••Sealing ring		CENT
5	VOE424832	6	6	6	6		NS		••Sealing ring		LOW
6	VOE276851	6	6	6	6				•Piston Ring Kit		
7	VOE8194085	6	6	6	6		NS		••Compression ring		UPPER
8	VOE8194086	6	6	6	6		NS		••Compression ring		LOW
9	VOE8194087	6	6	6	6		NS		••Compression ring		
10	VOE11031390	6	6	6	6		NS		•Piston		
11	VOE8194586	6	6	6	6				•Piston Pin		
12	VOE914529	12	12	12	12				•Snap Ring		
13		6	6	6	6				Connecting rod		See ref 216/100
14	VOE1161277	REQ	REQ	REQ	REQ				Sealant		20 GRAM
	VOE11713514	REQ	REQ	REQ	REQ				Sealant		(VOE1161231)304 ML

Date: 2014/1/7	Image id: 1009419	Catalogue: 56138	Model: EC330B LC
Brand: Volvo	Serial: 10001-10712	Group/Section: 213/150	Title: Cylinder liner and piston D12C ENGINE



Volvo Construction
Equipment
1009419

Section option	Kit	Option description
VOE8279097		Engine with Epa label EMISSION CERTIFICATED FROM EPA
VOE8279098		Engine with Eu label EMISSION CERTIFICATED FROM EU
VOE8279099		Engine without Epa label INT AND KOREAN MARKET

Q1-Q5	Option	Option description	
Q1 8279097 S/N 10236-	VOE8279097	Engine with Epa label EMISSION CERTIFICATED FROM EPA	



Suggest:

For more complete manuals. Please go to the home page.

<https://www.ebooklibonline.com>

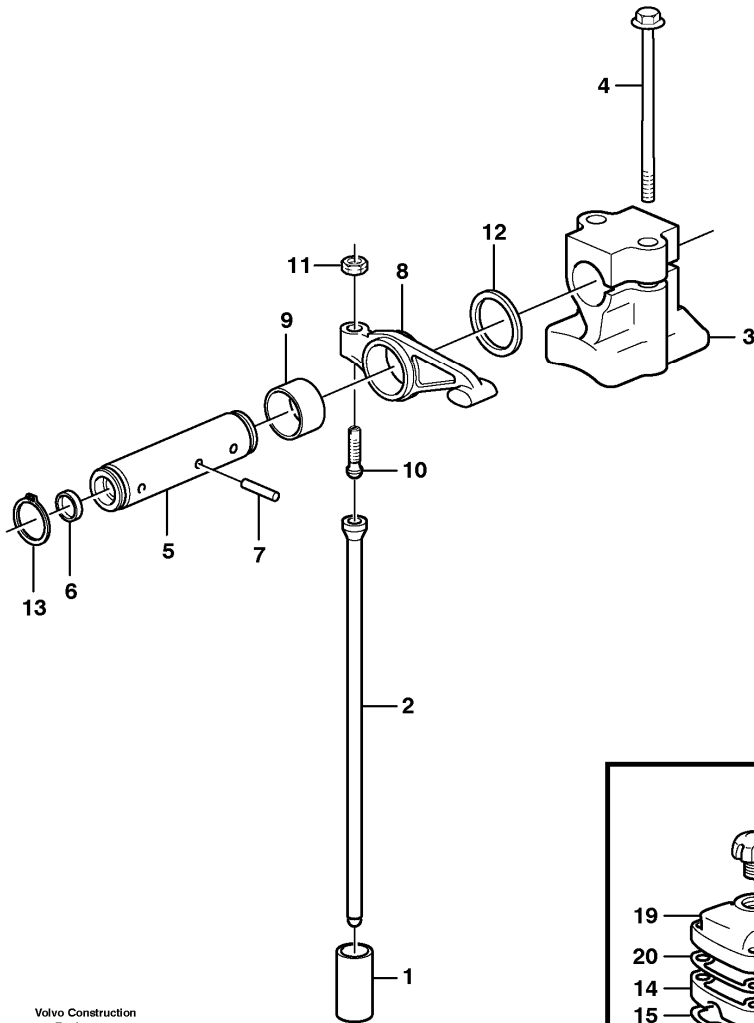
If the above button click is invalid. Please download this document first, and then click the above link to download the complete manual.

Thank you so much for reading

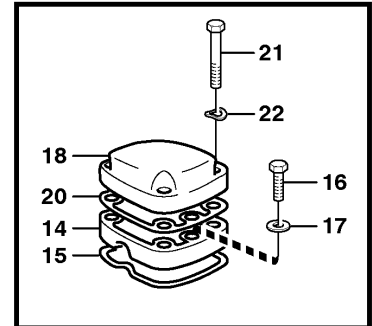
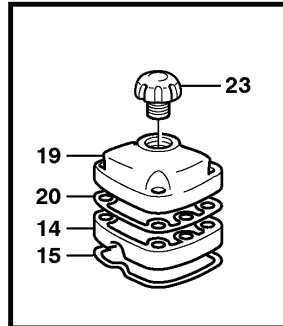
Q2 8279098 S/N 10236-	VOE8279098	Engine with Eu label EMISSION CERTIFICATED FROM EU	
Q3 8279099 S/N 10236-	VOE8279099	Engine without Epa label INT AND KOREAN MARKET	

Pos	Part	Q1	Q2	Q3	Q4	Q5	PS	Kit	Description	Option(s)	Remark
	VOE276939	6	6	6			SS		Cylinder liner kit		
1	VOE8170119	6	6	6			NS		•Cylinder Liner		
2	VOE270950	6	6	6					•Sealing kit		
3	VOE470922	6	6	6					••Seal Ring		UPPER
4	VOE470190	12	12	12			NS		••Sealing ring		CENT
5	VOE270950	6	6	6					••Sealing kit		LOW
6	VOE276949	6	6	6					•Piston ring kit		
7	VOE1677466	6	6	6			OP		••Compression ring		UPPER
8	VOE1677468	6	6	6			OP		••Compression ring		LOW
9	VOE3184885	6	6	6			OP		••Oil scraper ring		
10	VOE3183413	6	6	6			NS		•Piston		
11	VOE3155115	6	6	6					•Gudgeon pin		
12	VOE914530	12	12	12					•Retaining ring		
13		6	6	6					Connecting rod		
14	VOE1161277	REQ	REQ	REQ					Sealant		20 GRAM
	VOE11713514	REQ	REQ	REQ					Sealant		(VOE1161231)304 ML

Date: 2014/1/7	Image id: XB102	Catalogue: 56138	Model: EC330B LC
Brand: Volvo	Serial: 10001-10712	Group/Section: 214/100	Title: Valve mechanism D10B ENGINE



Volvo Construction
Equipment
XB 102



Section option	Kit	Option description
VOE8277717		Basic Machine EC330B
VOE8278903		Engine with Epa label EMISSION CERTIFICATED FROM EPA
VOE8278904		Engine with Eu label EMISSION CERTIFICATED FROM EU
VOE8278905		Engine without Epa label INT AND KOREAN MARKET

Q1-Q5	Option	Option description	
Q1 8277717 S/N -10134	VOE8277717	Basic Machine EC330B	
Q2 8278903 S/N -10235	VOE8278903	Engine with Epa label EMISSION CERTIFICATED FROM EPA	
Q3 8278904 S/N -10235	VOE8278904	Engine with Eu label EMISSION CERTIFICATED FROM EU	

<https://www.ebooklibonline.com>

Hello dear friend!

Thank you very much for reading.

Enter the link into your browser.

The full manual is available for immediate download.

<https://www.ebooklibonline.com>