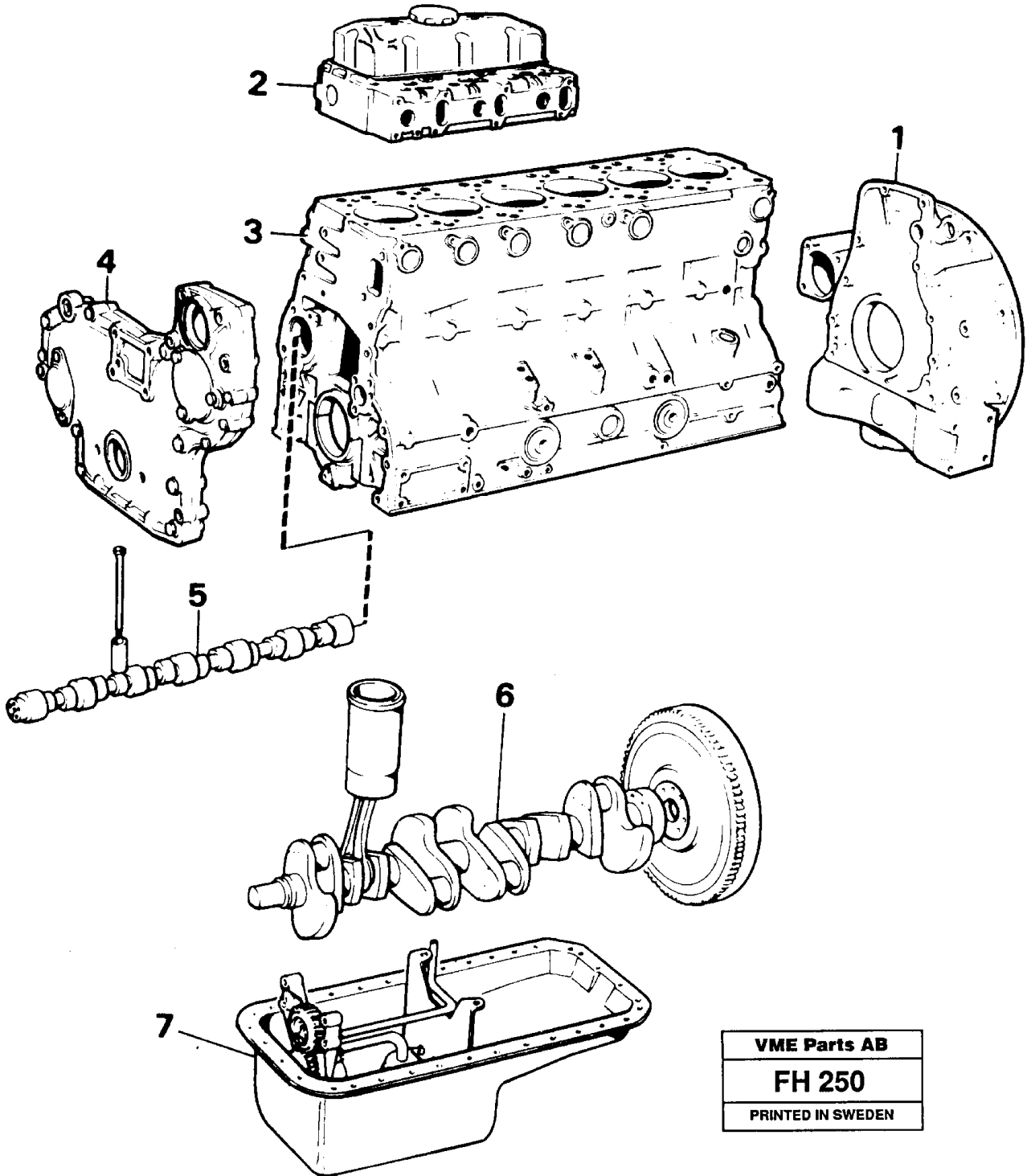


Date: 2014/1/4	Image id: FH250	Catalogue: 99516	Model: EC300
Brand: Åkerman	Serial: 4371-4797	Group/Section: 210/150	Title: Engine TD 71 ACE, TD 71 GE



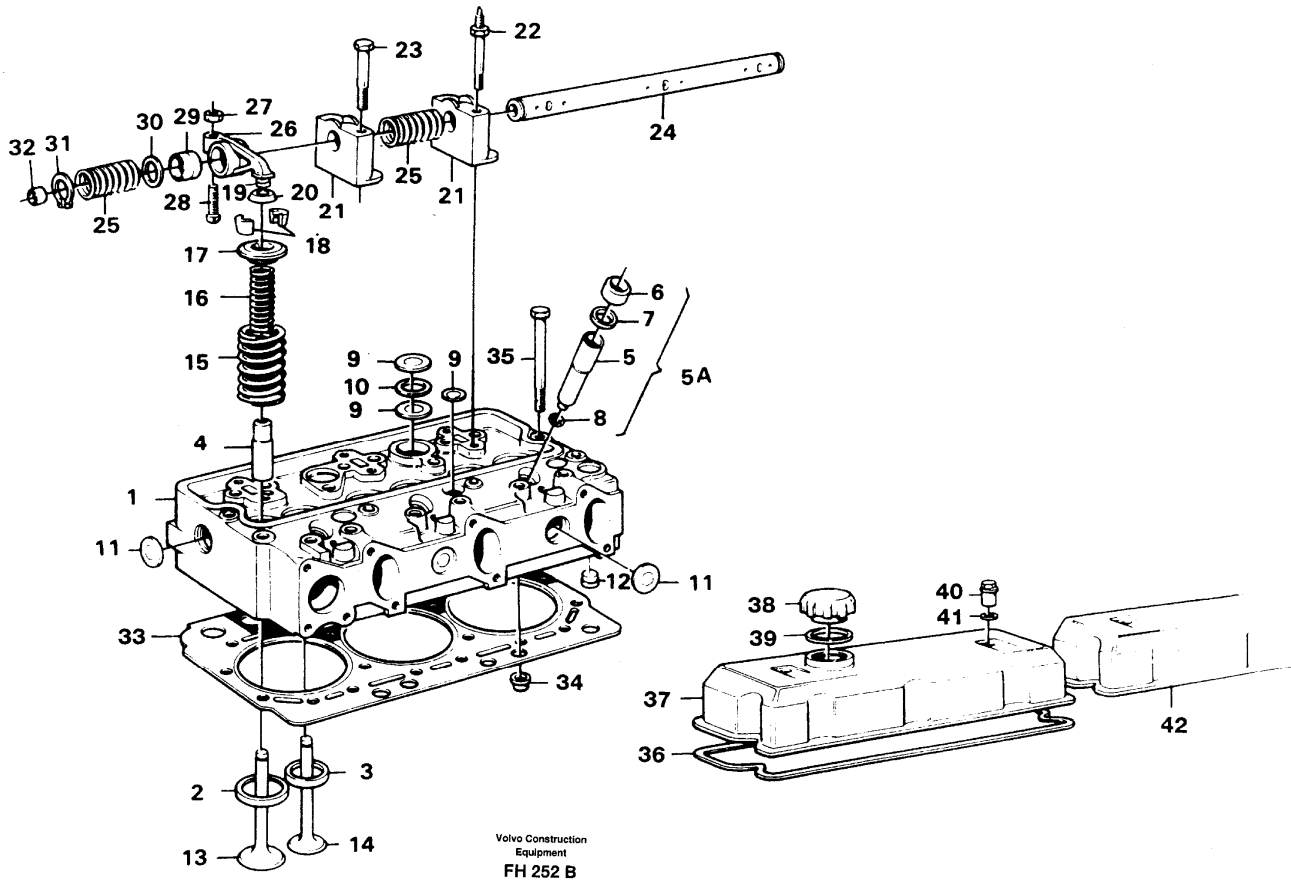
VME Parts AB
FH 250
PRINTED IN SWEDEN

Pos	Part	Q1	Q2	Q3	Q4	Q5	PS	Kit	Description	Option(s)	Remark
	VOE9000801033	1					OP		Engine		See footnote 1110) (867918) TD 71 ACE,

	VOE15003913	1							Engine		SER NO - 4456 (VOE497051)SER NO 4457 -, TD 71 GE
1		1							Flywheel housing		See ref 212/150
2		1							Cylinder head		See ref 211/100
3		1							Cylinder block		See ref 212/100
4		1							Timing gear casing		See ref 215/100
5		1							Camshaft		See ref 215/150
6		1							Crank mechanism		See ref 216/100
7		1							Oil sump		See ref 217/100

1110) See Volvo Penta Parts Catalog 7735450 - 4. (vme Parts Publ nr. 63166997735 - 6)

Date: 2014/1/4	Image id: FH252B	Catalogue: 99516	Model: EC300
Brand: Åkerman	Serial: 4371-4797	Group/Section: 211/100	Title: Cylinder head



Pos	Part	Q1	Q2	Q3	Q4	Q5	PS	Kit	Description	Option(s)	Remark
	VOE421500	2							Cylinder head		
1	VOE471409	2					SE		•Cylinder head		
2	VOE421011	6							••Valve seat		STD, INLET/INSUG
3	VOE466266	6							••Valve seat		STD, EXHAUST/AVGAS
4	VOE466386	12							••Valve guide		TD 71 GE
5A	VOE276130	3							••Repair kit		
5	VOE477928	6							•••Socket		(VOE466403)
6	VOE466420	6							•••Ring		
7	VOE466405	6							•••Sealing ring		
8	VOE466922	6							•••Sealing ring		
9	VOE477026	14							••Expansion plug		
10	VOE947626	4							••Gasket		
11	VOE477024	8							••Expansion plug		
12	VOE465420	5							••Nozzle		
13	VOE466379	6							•Valve		

<https://www.ebooklibonline.com>

Hello dear friend!

Thank you very much for reading.

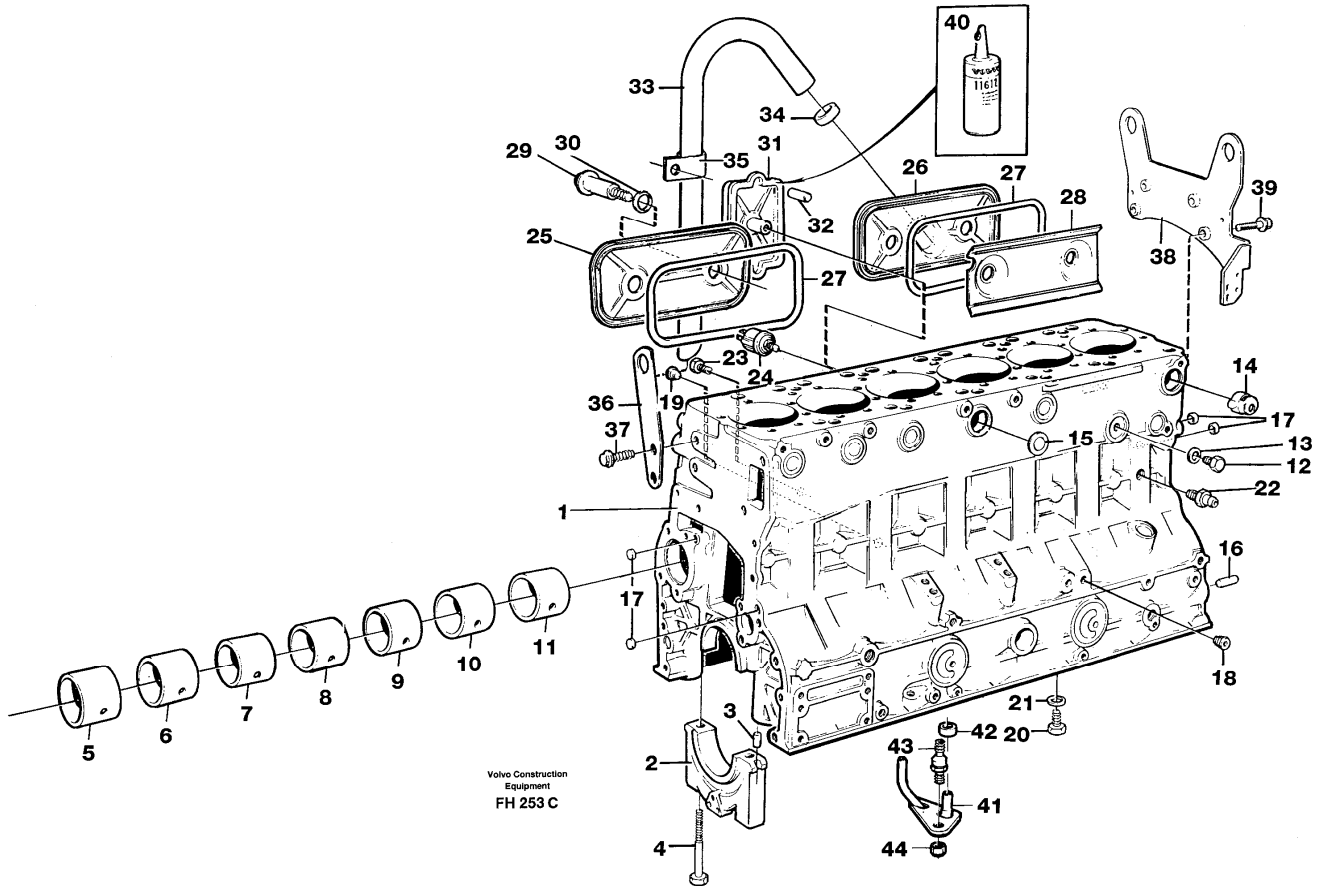
Enter the link into your browser.

The full manual is available for immediate download.

<https://www.ebooklibonline.com>

14	VOE421680	6							•Exhaust valve		TD 71 GE
15	VOE466384	6							•Valve spring		
16	VOE466383	6							•Valve spring		
17	VOE466382	6							•Washer		
18	VOE468305	12							•Valve Collet		
19	VOE478074	6							•Valve cap		
20	VOE469456	6							•Protecting ring		
21	VOE477384	6							Bearing Bracket		
22	VOE471512	4							Screw		
23	VOE471513	8							Screw		
24	VOE471518	2							Rocker arm shaft		
25	VOE421173	4							Spring		
26	VOE422063	12							Rocker arm		
27	VOE940175	12							•Nut		
28	VOE422993	12							•Bolt		
29	VOE422066	12							•Bushing		
30	VOE941488	4							Washer		
31	VOE914459	4							Retaining ring		
32	VOE955084	2							Cap Plug		
33	VOE276816	1							Gasket kit		
34	VOE422413	2							•Sealing ring		
	VOE466421	16							•Sealing ring		
	VOE465784	12							•Sealing		
35	VOE471481	40							Screw		
36	VOE471520	2							Gasket		
37	VOE471813	1							Valve cover		
38	VOE421753	1							Filler cap		(421753)
39	VOE1275379	1							Gasket		(VOE940096)
40	VOE465961	1							Cap nut		
41	VOE471856	1							Sealing ring		
42	VOE471426	1							Valve cover		

Date: 2014/1/4	Image id: FH253C	Catalogue: 99516	Model: EC300
Brand: Åkerman	Serial: 4371-4797	Group/Section: 212/100	Title: Cylinder block

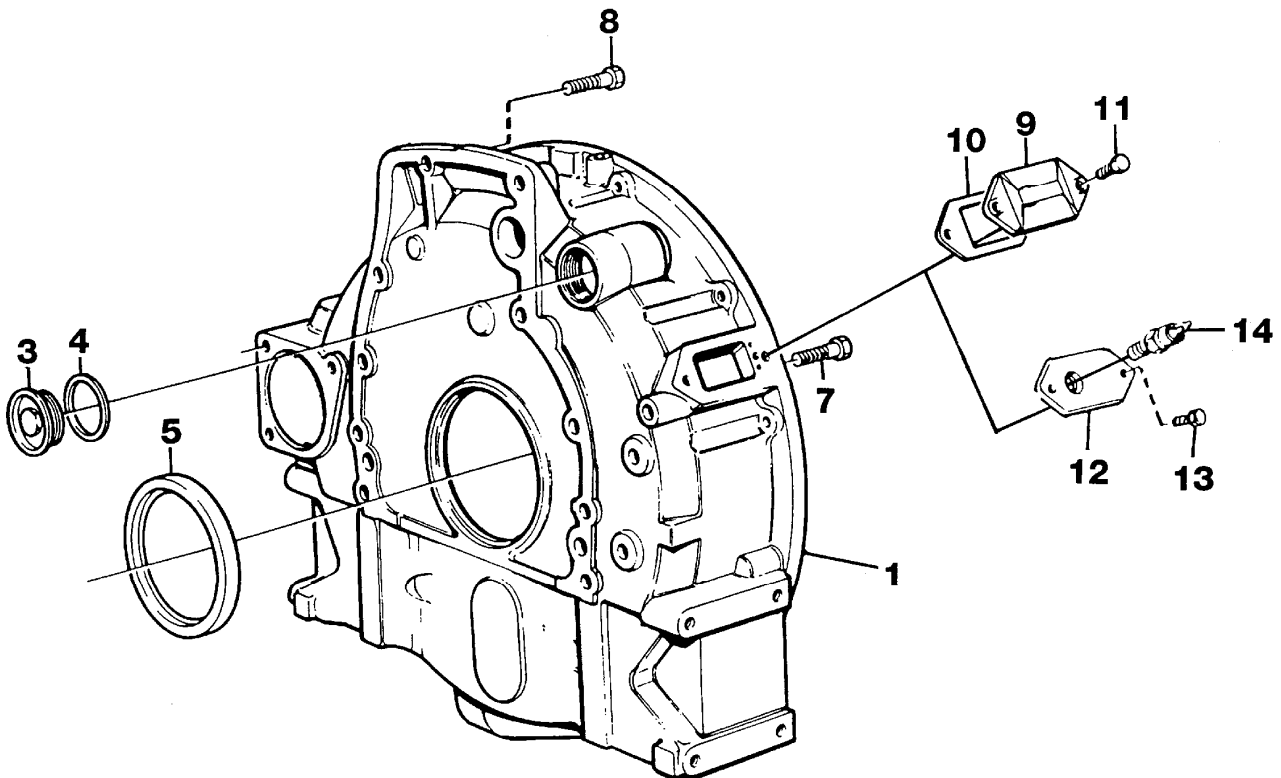
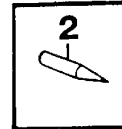


Q1-Q5	Option	Option description	
Q1 477990			
Q2 8192730			

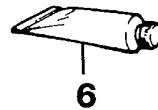
Pos	Part	Q1	Q2	Q3	Q4	Q5	PS	Kit	Description	Option(s)	Remark
	VOE477990	1					OP		Cylinder block		ENG - 97292
	VOE8192730		1						Cylinder block		ENG 97293 -
1		1	1				NS		•Cylinder block		
2		1	1				NS		•Cap		MARKED: 1
		1	1				NS		•Cap		MARKED: 4
		5	5				NS		•Cap		MARKED: 2,3,5,6,7
3	VOE422426	1	1						•Pin		
4	VOE465899	14							•Screw		
	VOE8192738		14						•Screw		
5	VOE422076	1	1						•Bushing		
6	VOE422077	1	1						•Bushing		
7	VOE422078	1							•Bushing		

	VOE8192676		1						•Bushing		
8	VOE11000014	1							•Bushing		
	VOE8192677		1						•Bushing		
9	VOE422080	1							•Bushing		(VOE7422080)
	VOE8192678		1						•Bushing		
10	VOE422081	1							•Bushing		
	VOE8192679		1						•Bushing		
11	VOE422082	1	1						•Bushing		
12	VOE467367	1							•Plug		(VOE467649)
13	VOE1556907	1							•Gasket		(VOE469328)
14	VOE421154	6	6						•Nozzle		
15	VOE13968955	6	6						•Expansion plug		
16	VOE191171	2	2						•Pin		(VOE7191171)
17	VOE955082	4	6						•Cap plug		
18	VOE968145	1	1						•Plug		
19	VOE422369	7	2						•Plug		
20	VOE13966146	1	1						Plug		
21	VOE13947629	1	1						Plane gasket		(VOE947629)
22	VOE13946121	2	2						Nipple		(VOE7190130)
23	VOE479976	1	1						Plug		
24	VOE864415	1	1						Oil pressure sensor		
25	VOE420120	1	1						Inspection lid		
26	VOE420121	1	1						Hatch		
27	VOE421121	2	2						Gasket		
28	VOE3978045	1	1						Splash plate		(VOE471858)
29	VOE471855	4	4						Screw		
30	VOE471856	4	4						Sealing ring		
31	VOE471854	1	1						Cover		
32	VOE951974	1	1						Spring pin		
33	VOE471857	1	1						Pipe		
34	VOE421158	1	1						Sealing ring		
35	VOE968124	1	1						Clamp		
36	VOE848346	2	2				NS		Lifting eye		
37	VOE13965191	1	1						Screw		(VOE965191)STD, M12 x 30
38	VOE477261	2	2				NS		Lifting eye		
39	VOE965225	2	2						Flange screw		(VOE965191)
40	VOE1161277	REQ	REQ						Sealant		20 g
41	VOE420628	6	6						Nozzle		
42	VOE466874	6	6						Sealing ring		
43	VOE471596	6	6						Stud		
44	VOE13948570	6	6						Lock nut		

Date: 2014/1/4	Image id: FH251A	Catalogue: 99516	Model: EC300
Brand: Åkerman	Serial: 4371-4797	Group/Section: 212/150	Title: Flywheel housing



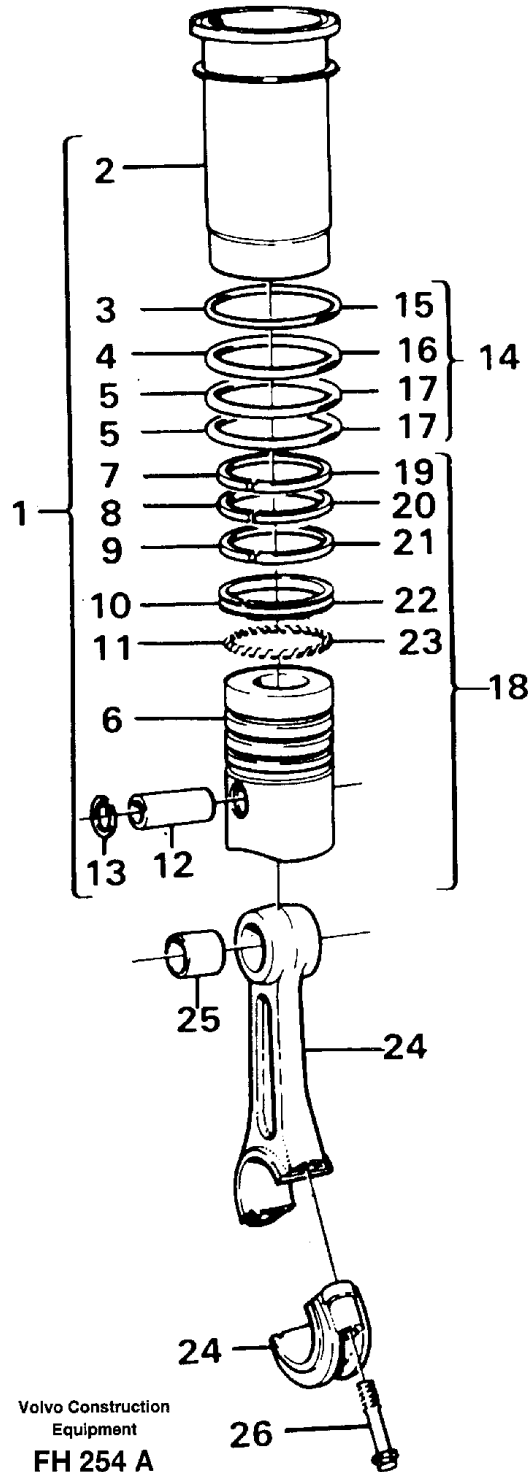
Volvo Construction
Equipment
FH 251 A



Pos	Part	Q1	Q2	Q3	Q4	Q5	PS	Kit	Description	Option(s)	Remark
1	VOE4772237	1							Flywheel Hsg		
2	VOE864494	1							Setting Indicator		
3	VOE180761	1							Plug		TD 71 GE
	VOE467367	1							Plug		TD 71 ACE
4	VOE7011996	1							Gasket		(VOE11996)TD 71 GE
	VOE1556907	1							Gasket		(VOE469328)TD 71 ACE
5	VOE477119	1							Crankshaft Seal		
6	VOE11713514	REQ							Sealant		(VOE1161231)20

											GRAM
7	VOE13966361	6							Flange screw		L = 55MM
8	VOE13971002	2							Hexagon screw		L = 65MM
9	VOE4772168	1							Cap		
10	VOE4804167	1							Gasket		
11	VOE13946934	2							Screw		
12	VOE14254562	1							Attachment		
13	VOE13955272	2							Screw		(VOE14014589)
14	VOE14215228	1							Eng Sp Sensor		

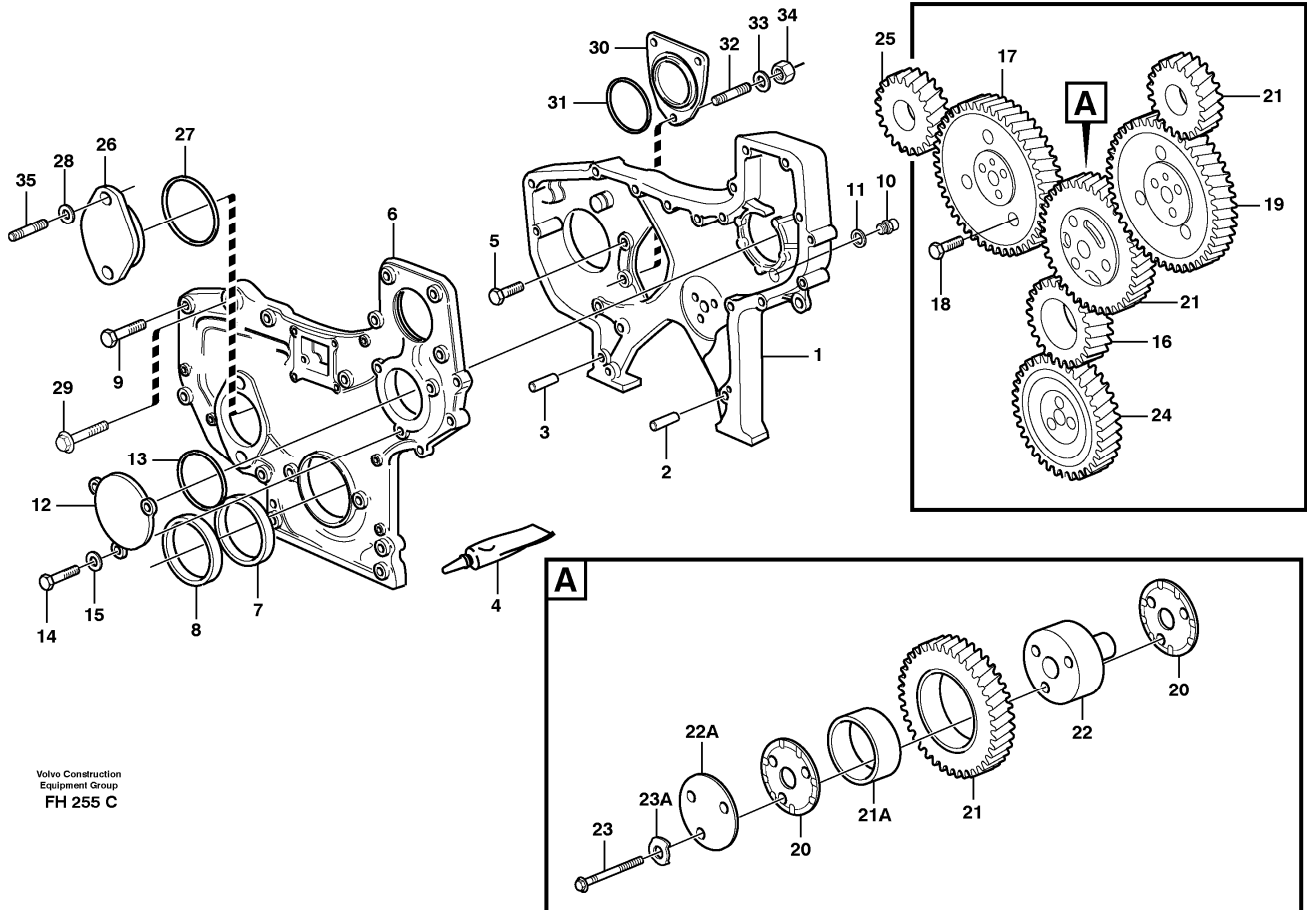
Date: 2014/1/4	Image id: FH254A	Catalogue: 99516	Model: EC300
Brand: Åkerman	Serial: 4371-4797	Group/Section: 213/100	Title: Cylinder liner and piston



Pos	Part	Q1	Q2	Q3	Q4	Q5	PS	Kit	Description	Option(s)	Remark
1	VOE876183	6							Cylinder liner kit		ENG - 97292

	VOE3827384	6					OP		Cylinder liner kit		ENG 97293 -
2	VOE477430	6					NS		•Cylinder Liner		
3	VOE471419	6					NS		•Sealing ring		
	VOE271159	6							•Sealing ring kit		
4	VOE424831	6					NS		•Sealing ring		
5	VOE471424	12					NS		•Oil feed pipe		
6	VOE466710	6					OP		•Piston		
7		6					NS		•Piston ring		
8	VOE477177	6					OP		•Compression ring		
	VOE477178	6					OP		•Compression ring		
9		6					NS		•Piston ring		
10	VOE466314	6					OP		•Ring		
11	VOE466315	6					OP		•Expander		
12	VOE3978588	6					OP		•Gudgeon pin		(VOE477927)ENG 63587 - 97292
	VOE3978588	6					OP		•Gudgeon pin		ENG 97293 -
13	VOE914525	12							•Retaining ring		
14	VOE271159	6							Sealing ring kit		(VOE275778)
15	VOE471419	6					NS		•Sealing ring		
16	VOE424831	6					NS		•Sealing ring		
17	VOE471424	12					NS		•Oil feed pipe		
18	VOE271117	6							Piston ring kit		
19		6					NS		•Piston ring		
20	VOE477178	6					OP		•Compression ring		
21							NS		•Piston ring		
22	VOE466314	6					OP		•Ring		
23	VOE466315	6					OP		•Expander		
24	VOE471523	6							Connecting rod		
25	VOE471364	6							•Bushing		
26	VOE465815	12							•Screw		

Date: 2014/1/4	Image id: FH255C	Catalogue: 99516	Model: EC300
Brand: Åkerman	Serial: 4371-4797	Group/Section: 215/100	Title: Timing gear casing and gears

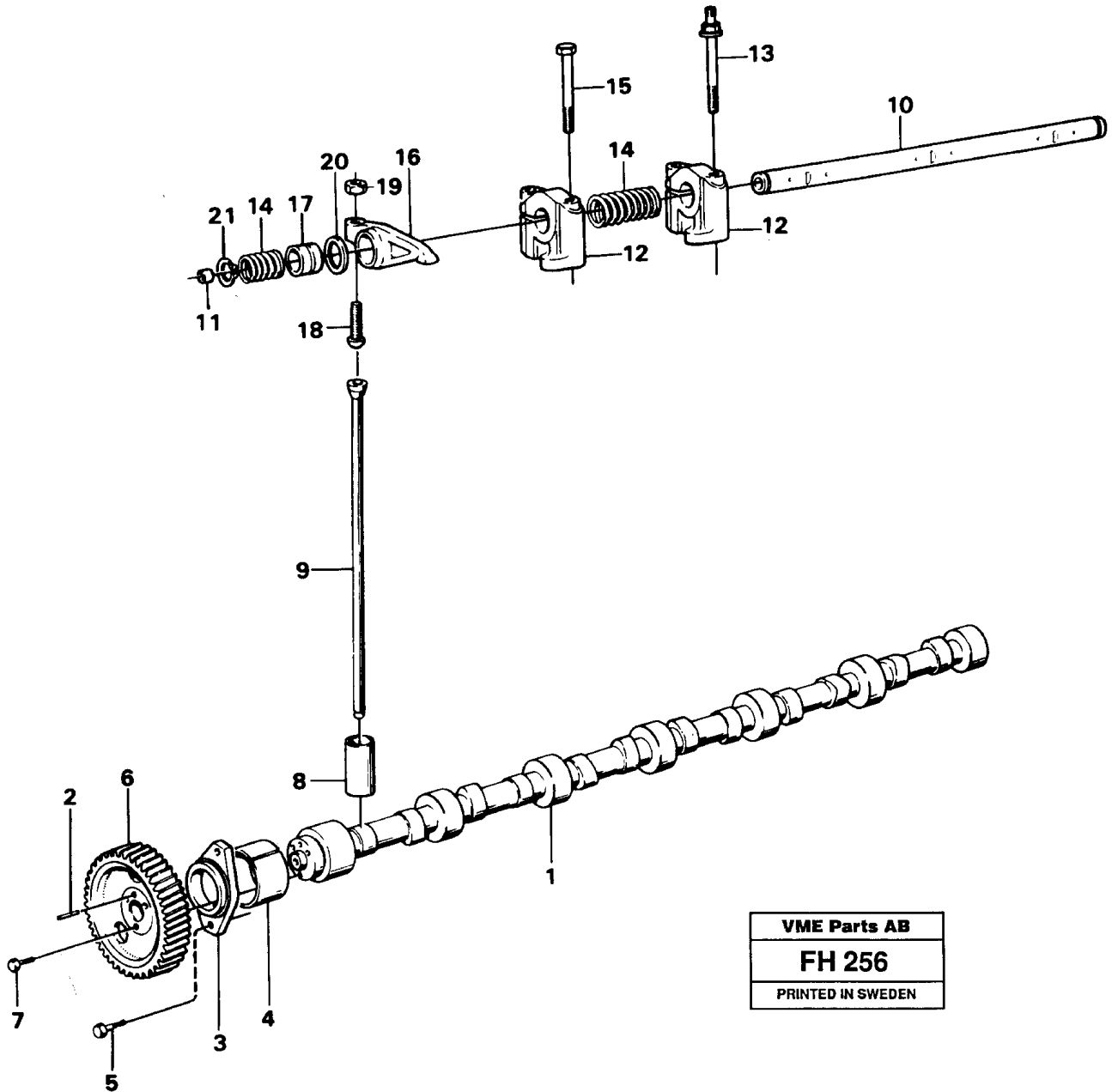


Q1-Q5	Option	Option description	
Q1 TD 71 GE			
Q2 TD 71 ACE			

Pos	Part	Q1	Q2	Q3	Q4	Q5	PS	Kit	Description	Option(s)	Remark
1	VOE471505	1	1						Tmg Gear Casing		
2	VOE13941511	1	1						Pin		(VOE941510)
3	VOE13941510	1	1						Pin		(VOE941511)
4	VOE1161277	REQ	REQ						Sealant		20 g
5	VOE471534	2	2						Screw		L = 28MM
	VOE471535	2	2						Screw		L = 58MM
6	VOE8192590	1	1						Tmg Gear Cover		(VOE8192052)
7	VOE477118	1	1						•Sealing ring		
8		1	1				NS		•Felt Ring		(VOE942083)
9	VOE13947760	7	7						Flange screw		(VOE947760)L 40MM =

	VOE13948217	2	2						Flange screw		(VOE948217)L 45MM	=
	VOE13965216	1	1						Screw		(VOE965216)L 55MM	=
	VOE13965182	6	6						Flange screw		(VOE965182)L 80MM	=
	VOE13965183	1	1						Flange screw		(VOE965183)L 90MM	=
10	VOE1502028	1	1						Eng Sp Sensor			
11	VOE925059	2	2						O-ring			
12	VOE471559	1	1						Cap			
13	VOE925257	1	1						O-ring			
14	VOE13945444	3	3						Flange screw		(VOE945444)L 25MM	=
15	VOE13941907	3	3						Spring Washer		(VOE941907)	
16	VOE471528	1	1						Gear		CRANKSHAFT	See ref 216/100
17	VOE478297	1	1						Gear		CAMSHAFT	See ref 215/150
18	VOE471555	3	3						Screw		L = 50MM	
19	VOE478297	1	1						Gear		FUEL INJECTION PUMP	See ref 236/100
20	VOE478951	2	2						Thrust Washer		ENG 82972 -	
21	VOE8192578	1							Idler Gear		ENG 82972 -	
	VOE8192518		1						Idler Gear			
21A	VOE479687	1							•Bushing			
22	VOE8192636	1							Bearing spindle		(VOE479779)ENG 82972 -	
	VOE422766		1				SS		Pin			
22A	VOE478954	1							Bearing Shield		ENG 82972 -	
23	VOE8192579	3	3						Screw		ENG 82972 -	
23A	VOE942180	3							Disc Spring		ENG 82972 -	
24	VOE471942	1	1						Drive Gear		OIL PUMP	See ref 221/100
25	VOE14248214	1	1						Gear		WATER PUMP	See ref 262/150
26	VOE465735	1	1						Cap			
27	VOE925094	1	1						O-ring		(VOE465058)	
28	VOE955895	2	2						Washer			
29	VOE965225	1	1						Flange screw		(VOE966343)	
30	VOE420178	1	1						Cover			
31	VOE13975610	1	1						O-ring			
32	VOE967951	3	3						Stud			
33	VOE955899	3	3						Washer			
34	VOE13971073	3	3						Hexagon Nut			
35	VOE479973	1	1						Stud			
36	VOE469364	1	1						Drive Gear		Tachograph	

Date: 2014/1/4	Image id: FH256	Catalogue: 99516	Model: EC300
Brand: Åkerman	Serial: 4371-4797	Group/Section: 215/150	Title: Camshaft

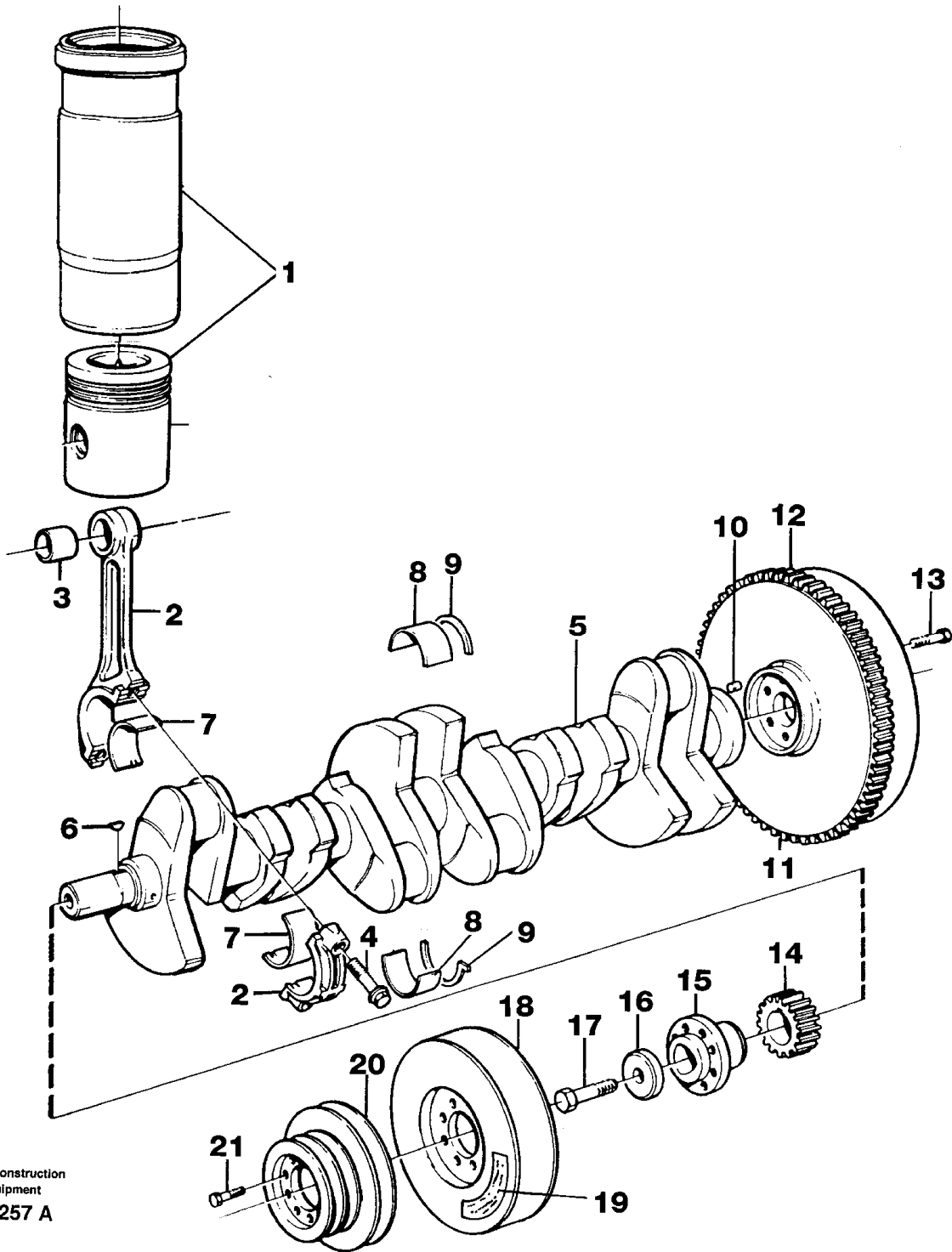


VME Parts AB
FH 256
PRINTED IN SWEDEN

Pos	Part	Q1	Q2	Q3	Q4	Q5	PS	Kit	Description	Option(s)	Remark
1	VOE471413	1							Camshaft		ENG - 97292
	VOE3978505	1							Camshaft		ENG 97293 -
2	VOE950588	1							•Pin		
3	VOE465789	1							Flange		
4		7							Bushing		See ref 212/100
5	VOE471509	2							Screw		

6		1							Camshaft gear		See ref 215/100
7		3							Screw		See ref 215/100
8	VOE11030953	12							Tappet		ENG NO 77856-
9	VOE421385	12							Push rod		ENG - 97292
	VOE8192698	12							Push rod		ENG 97293 -
10	VOE471518	2							Rocker arm shaft		
11	VOE955084	4							•Cap Plug		
12	VOE477384	6							Bearing Bracket		(VOE471511)
13	VOE471512	4							Screw		
14	VOE421173	4							Spring		
15	VOE471513	8							Screw		
16	VOE422063	12							Rocker arm		
17	VOE422066	12							•Bushing		(VOE7422066)
18	VOE422993	12							•Bolt		(VOE423058)
19	VOE940175	12							•Nut		
20	VOE941488	4							Washer		
21	VOE914459	4							Retaining ring		

Date: 2014/1/4	Image id: FH257A	Catalogue: 99516	Model: EC300
Brand: Åkerman	Serial: 4371-4797	Group/Section: 216/100	Title: Crankshaft and related parts

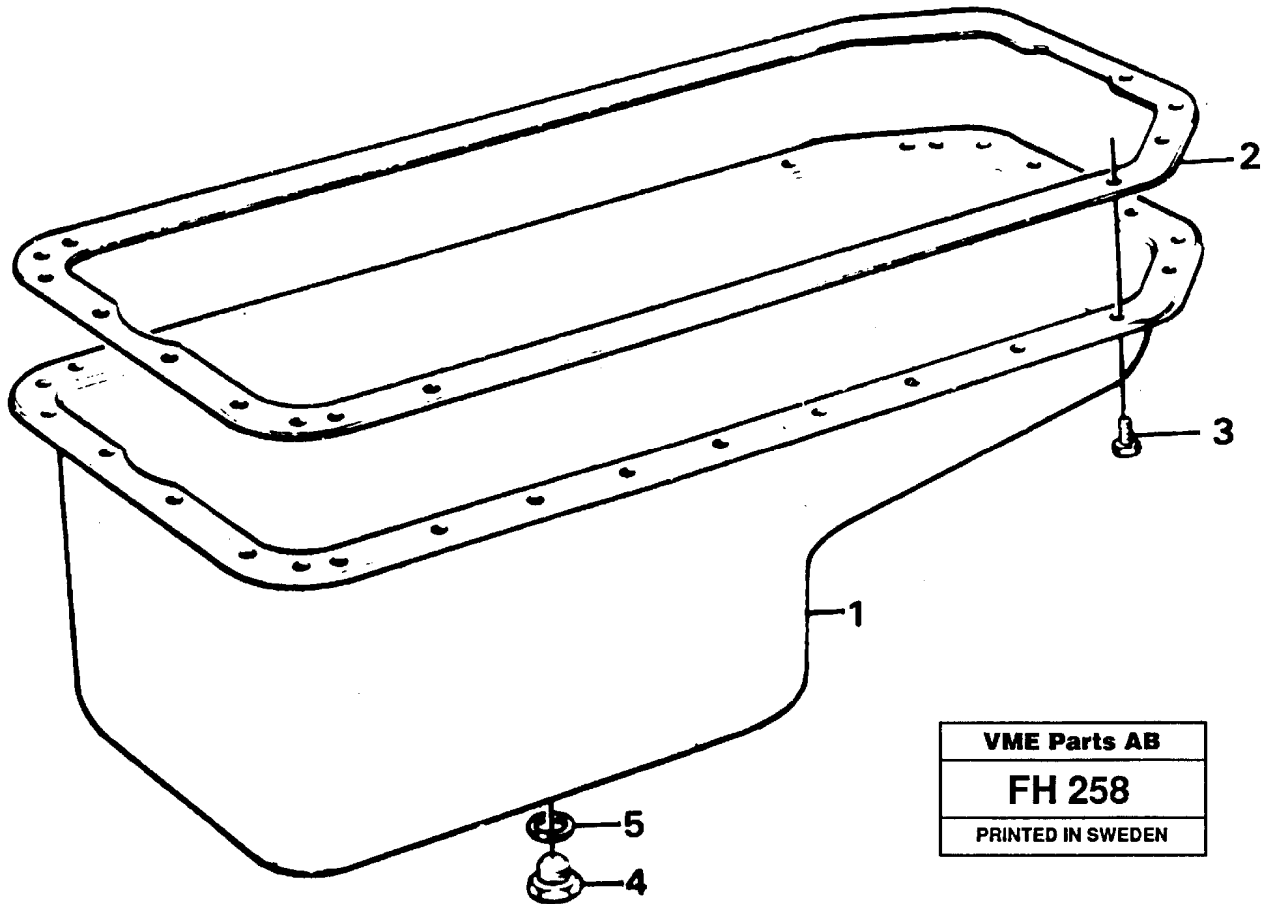


Pos	Part	Q1	Q2	Q3	Q4	Q5	PS	Kit	Description	Option(s)	Remark
1		1							Cylinder liner kit		See ref 213/100

2	VOE471523	6						Connecting rod		
3	VOE471364	6						•Bushing		
4	VOE465815	12						•Screw		
5	VOE477116	1						Crankshaft		ENG - 97292
	VOE8192695	1						Crankshaft		ENG 97293 -
6	VOE422253	1						•Key		ENG - 97292
	VOE950681	1						•Pin		ENG 97293 -
7	VOE270115	6						Big End Brg Kit		STD D
	VOE270116	6						Big End Brg Kit		0,25 U SZ
	VOE270117	6						Big End Brg Kit		0,50 U SZ
	VOE270118	6					OP	Big End Brg Kit		0,75 U SZ
	VOE270119	6						Big End Brg Kit		1.00 mm UD,TD 71ACE
	VOE270120	6						Big-end Bearing kit		1.25 mm UD,TD 71 GE
8	VOE270432	7						Main bearing kit		STD, ENG - 97292
	VOE270433	7						Main bearing kit		0,25 U SZ, ENG - 97292
	VOE270434	7						Main bearing kit		0,50 U SZ, ENG - 97292
	VOE270435	7						Main bearing kit		0,75 U SZ, ENG - 97292
	VOE270436	7						Main bearing kit		1,00 U SZ, ENG - 97292
	VOE270437	7						Main bearing kit		1,25 U SZ, ENG - 97292
	VOE276894	7						Main bearing		STD, ENG 97293 -
	VOE276895	7						Main bearing kit		0,254MM U SZ, ENG 97293 -
	VOE276896	7						Main bearing kit		0,508MM U SZ, ENG 97293 -
	VOE276897	7						Main bearing kit		0,792MM U SZ, ENG 97293 -
	VOE276898	7						Main bearing kit		1,016MM U SZ, ENG 97293 -
	VOE276899	7						Main bearing kit		1,270MM U SZ, ENG 97293 -
9	VOE276754	1						Thrust washer		(VOE276754)STD, ENG - 97292
	VOE276755	1						Thrust washer		(VOE276755)0,1 O SZ, ENG - 97292
	VOE276756	1						Thrust washer		(VOE276756)0,2 O SZ, ENG - 97292
	VOE276757	1						Thrust washer		(VOE276757)0,3 O SZ, ENG - 97292
	VOE276890	1						Thrust washer		STD, ENG 97293 -
	VOE276891	1						Thrust washer		0,1MM U SZ, ENG 97293 -
	VOE276892	1						Thrust washer		0,2MM U SZ, ENG 97293 -
	VOE276893	1						Thrust washer		0,3MM U SZ, ENG 97293 -
10	VOE950677	1						Pin		
11	VOE11030557	1						Flywheel		TD71ACE, ENG - 97292
	VOE11030938	1						Flywheel		TD71ACE, ENG 97293 -
	VOE864260	1					OP	Flywheel		TD71GE, ENG - 97292
	VOE3825732	1						Flywheel		TD71GE, ENG 97293 -

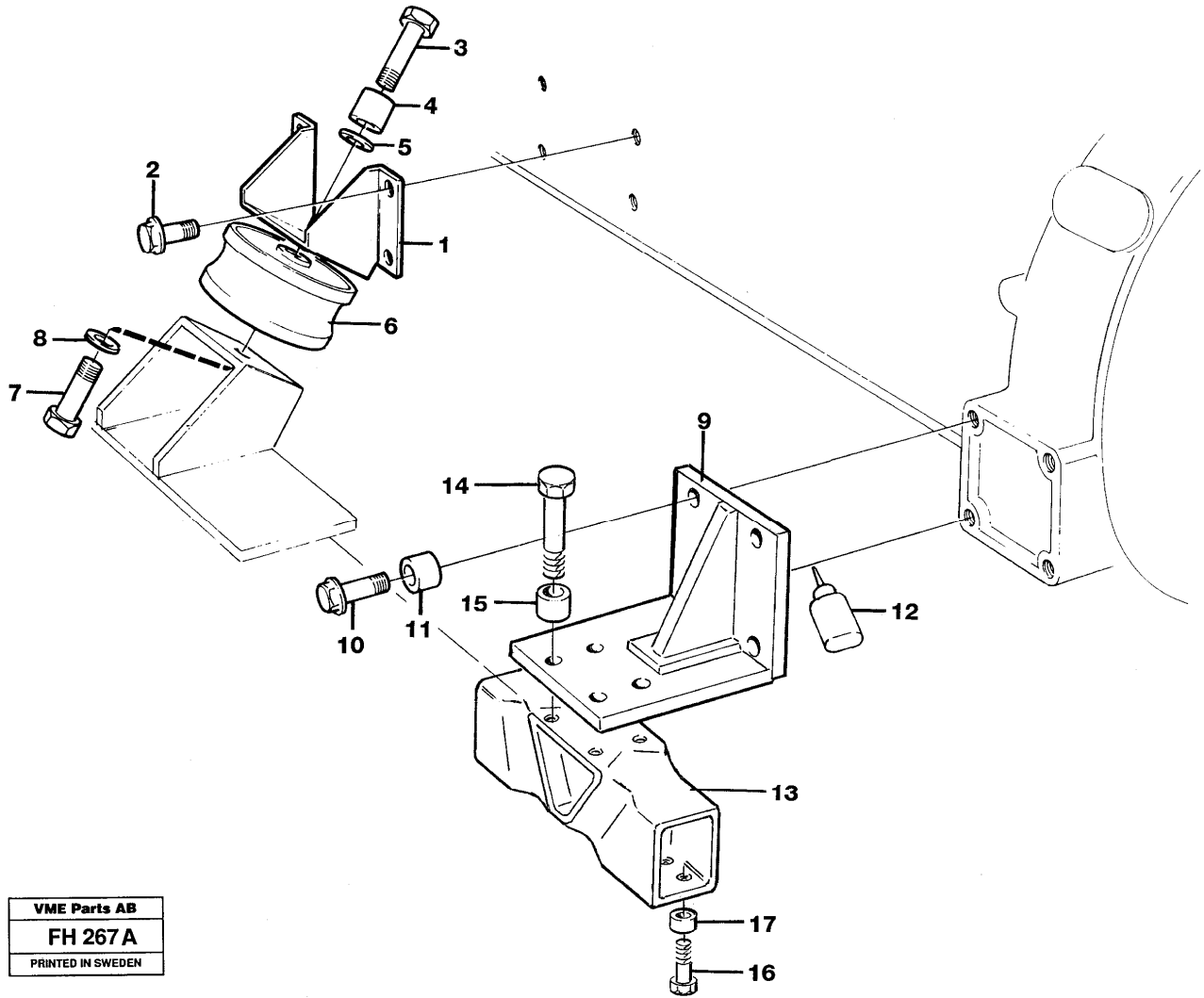
12	VOE420314	1							•Gear ring		(VOE420067)
13	VOE465825	6							Screw		ENG - 97292
	VOE471541	9							Screw		ENG 97293 -
14	VOE471528	1							Gear		
15	VOE465779	1							Hub		
16	VOE420124	1							Washer		
17	VOE470366	1							Screw		
18	VOE421515	1							Vibration damper		
19	VOE467834	1							Sign		
20	VOE4772117	1							Pulley		
21	VOE471529	8							Screw		

Date: 2014/1/4	Image id: FH258	Catalogue: 99516	Model: EC300
Brand: Åkerman	Serial: 4371-4797	Group/Section: 217/100	Title: Oil sump



Pos	Part	Q1	Q2	Q3	Q4	Q5	PS	Kit	Description	Option(s)	Remark
1	VOE11030522	1							Oil Pan		
2	VOE11030779	1							Gasket		(VOE865342)
3	VOE946440	36							Flange screw		
4	VOE13949175	1							Magnetic Plug		(949175)
5	VOE949329	1							Gasket		

Date: 2014/1/4	Image id: FH267A	Catalogue: 99516	Model: EC300
Brand: Åkerman	Serial: 4371-4797	Group/Section: 218/100	Title: Engine mounting SER NO -4628

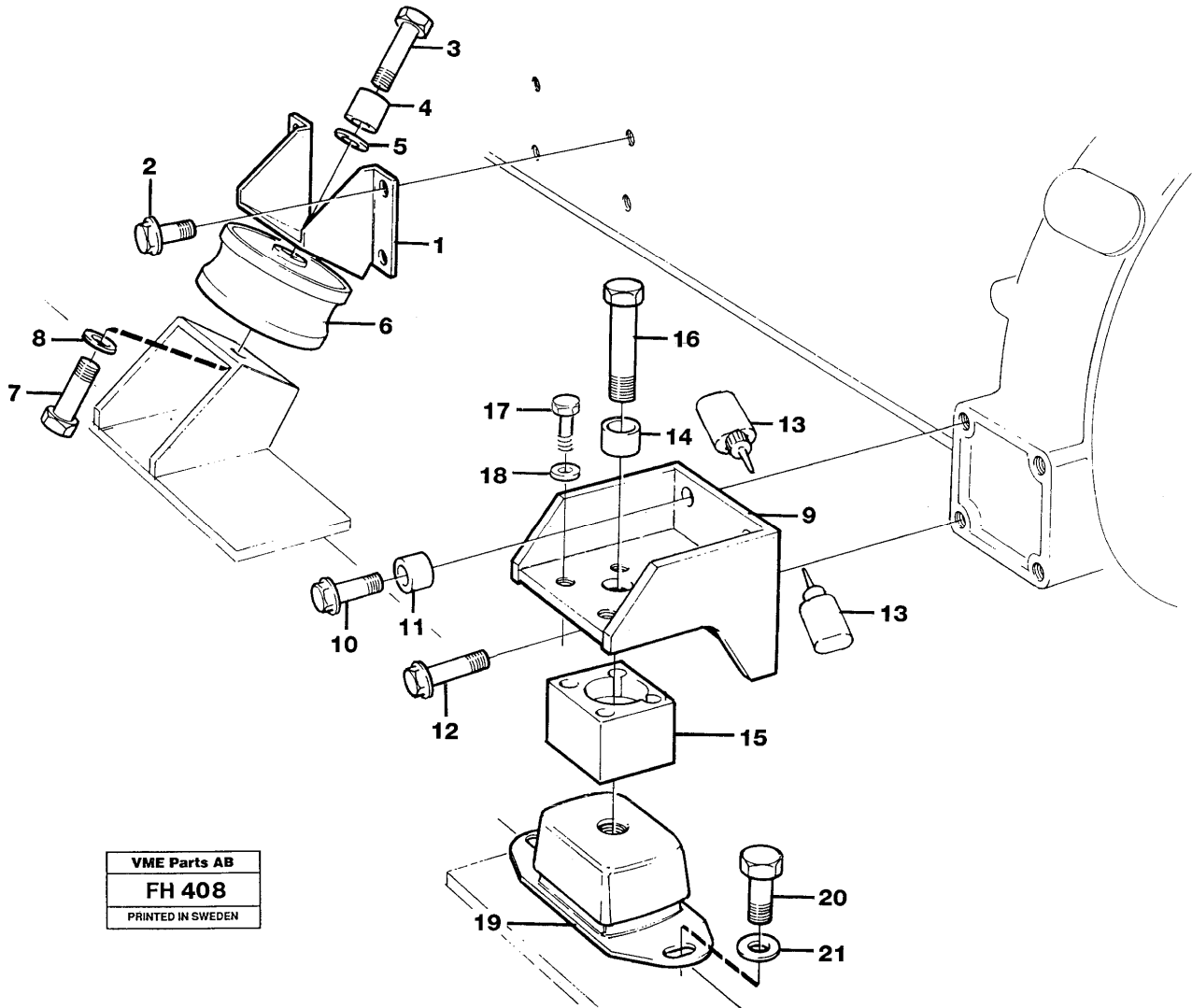


VME Parts AB
FH 267 A
PRINTED IN SWEDEN

Pos	Part	Q1	Q2	Q3	Q4	Q5	PS	Kit	Description	Option(s)	Remark
1	VOE465243	1							Bracket		LH
	VOE465244	1							Anchorage		RH
2	VOE13965192	4							Screw		
3	VOE13970974	2							Hexagon screw		(14014622)
4	VOE14040547	2							Spacer		
5	VOE14015146	2							Washer		
6	VOE14237784	2							Rubber cushion		
7	VOE13970974	2							Hexagon screw		(14014622)
8	VOE13930908	2							Washer		(VOE13976629)
9	VOE14040200	2							Bracket		

10	VOE13970975	8							Hexagon screw		
11	VOE14252182	4							Spacer		
12	VOE14024293	REQ					OP		Locking fluid		250 ML
13	VOE352424	2							Rubber cushion		
14	VOE955566	8							Hexagon screw		
15	VOE14040547	1							Spacer		
16	VOE955569	8							Hexagon screw		
17	VOE14040547	8							Spacer		

Date: 2014/1/4	Image id: FH408	Catalogue: 99516	Model: EC300
Brand: Åkerman	Serial: 4371-4797	Group/Section: 218/125	Title: Engine mounting SER NO 4629 - 5094

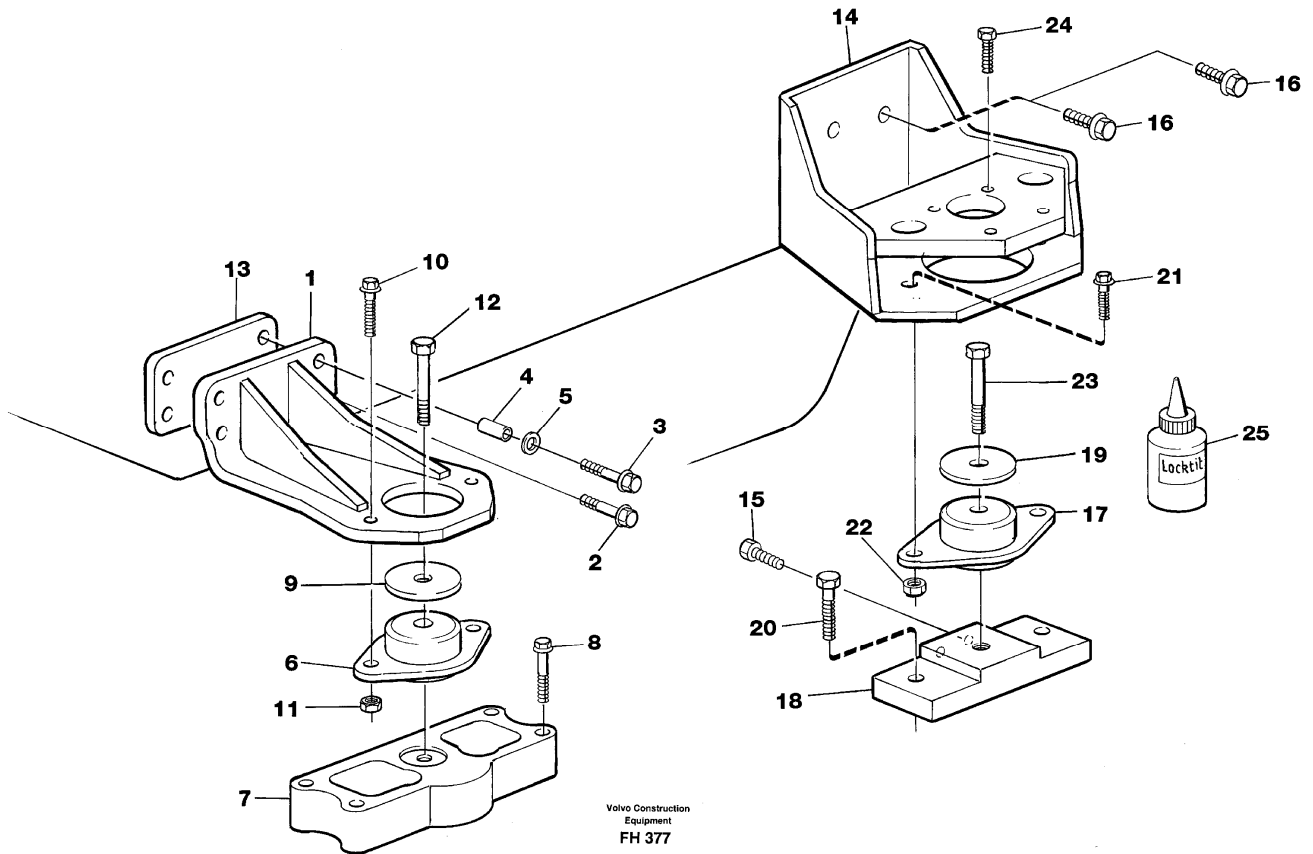


VME Parts AB
FH 408
 PRINTED IN SWEDEN

Pos	Part	Q1	Q2	Q3	Q4	Q5	PS	Kit	Description	Option(s)	Remark
1	VOE465243	1							Bracket		LH
	VOE465244	1							Anchorage		RH
2	VOE13965192	4							Screw		
3	VOE13970974	2							Hexagon screw		(14014622)
4	VOE14040547	2							Spacer		
5	VOE14015146	2							Washer		
6	VOE14237784	2							Rubber cushion		
7	VOE13970974	2							Hexagon screw		(14014622)
8	VOE13930908	2							Washer		(VOE13976629)
9	VOE14248379	2							Engine anchorage		

10	VOE13970975	4							Hexagon screw		
11	VOE14252182	4							Spacer		
12	VOE965227	4							Flange screw		
13	VOE14024293	REQ						OP	Locking fluid		
14	VOE14042803	1							Spacer		RH
15	VOE14248380	1							Spacer		LH
16	VOE955392	1							Hexagon screw		LR, M20x80MM
	VOE955393	1							Hexagon screw		(VOE14023352)LH, M20x90MM
17	VOE13970981	4							Hexagon screw		
18	VOE13930908	4							Washer		(VOE13976629)
19	VOE14216299	2							Rubber damper		
20	VOE955363	4							Hexagon screw		
21	VOE14015147	4							Washer		

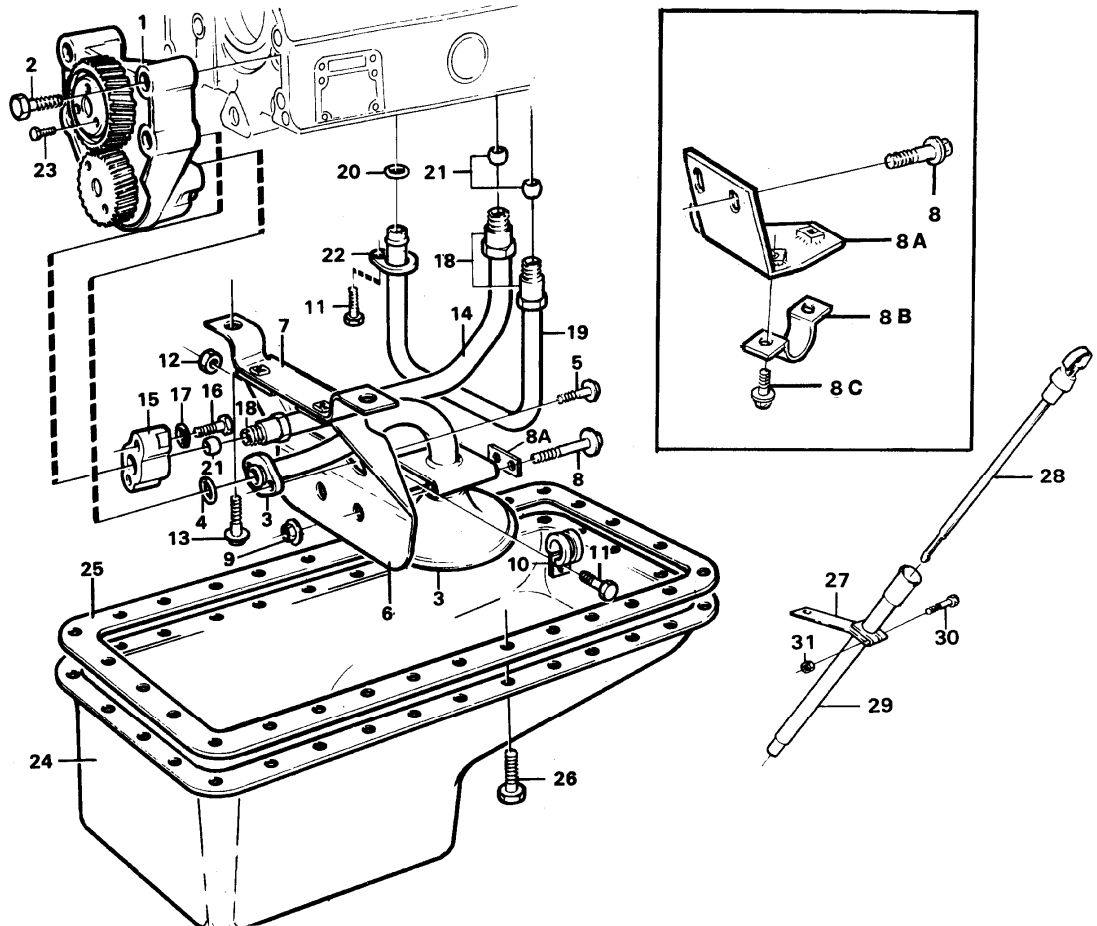
Date: 2014/1/4	Image id: FH377	Catalogue: 99516	Model: EC300
Brand: Åkerman	Serial: 4371-4797	Group/Section: 218/150	Title: Engine mounting SER NO 5095-



Pos	Part	Q1	Q2	Q3	Q4	Q5	PS	Kit	Description	Option(s)	Remark
1	VOE14341799	2							Engine anchorage		FRONT
2	VOE965195	1							Flange screw		L = 70MM
3	VOE965227	7							Flange screw		L = 55MM
4	VOE14248468	1							Sleeve		
5	VOE13930908	1							Washer		(VOE13976629)
6	VOE14343640	2							Rubber cushion		(VOE14342933)
7	VOE14341802	2							Adapter		
8	VOE965195	8							Flange screw		
9	VOE14342464	2							Washer		
10	VOE13965192	4							Screw		
11	VOE13971090	4							Lock nut		(VOE971090)
12	VOE13955374	2							Screw		
13	VOE14341881	2							Spacer		
14	VOE14341798	2							Engine anchorage		REAR
15	VOE13965191	4							Screw		L = 30MM

16	VOE965227	4							Flange screw		L = 55MM
17	VOE14343641	2							Rubber cushion		(VOE14342934)
18	VOE14341801	2							Adapter		
19	VOE14342464	2							Washer		
20	VOE13955366	4							Screw		
21	VOE13965192	4							Screw		
22	VOE13971090	4							Lock nut		(VOE971090)
23	VOE13955374	2							Screw		
24	VOE13965192	4							Screw		
25	VOE14024293	REQ						OP	Locking fluid		

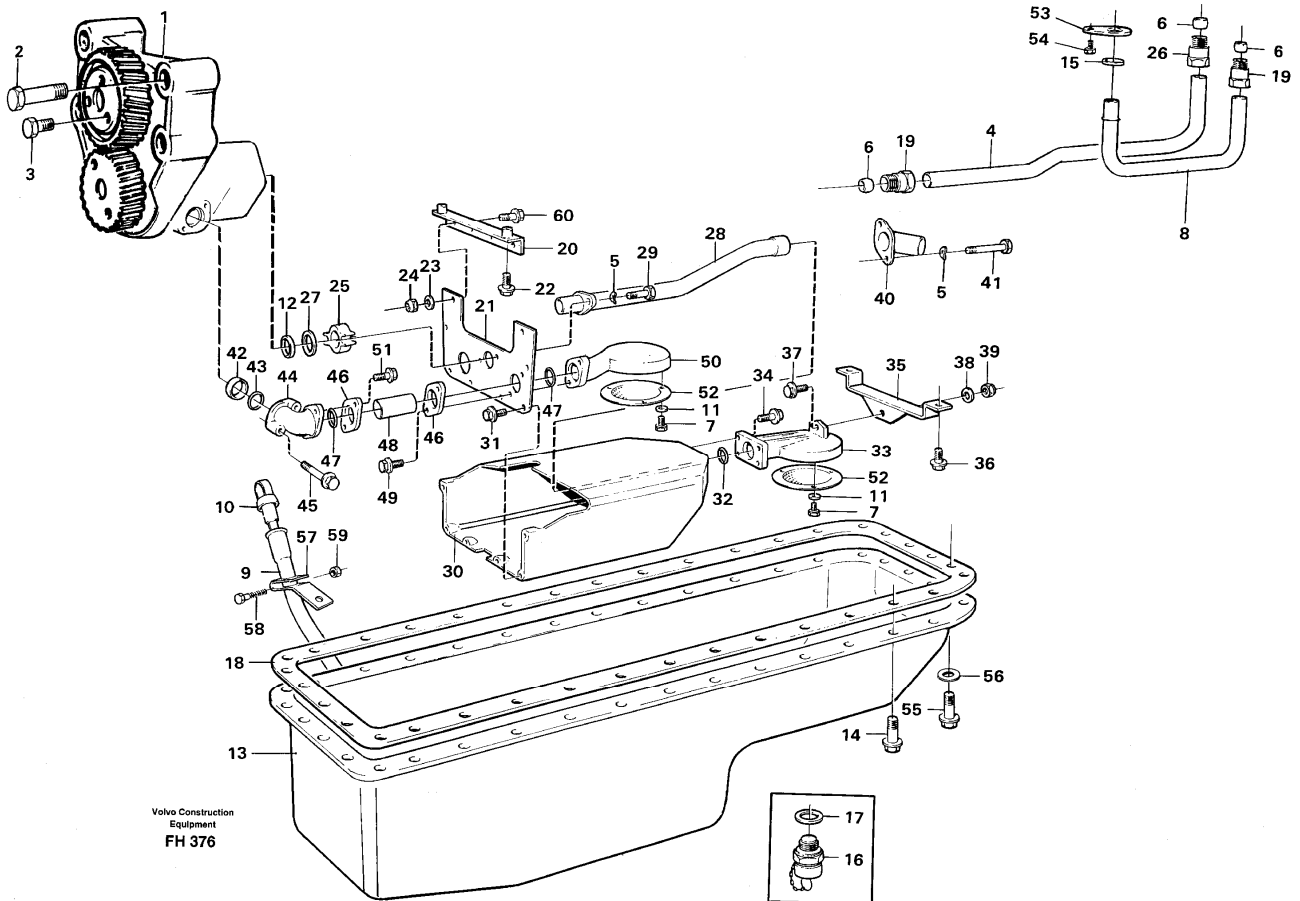
Date: 2014/1/4	Image id: FH259A	Catalogue: 99516	Model: EC300
Brand: Åkerman	Serial: 4371-4797	Group/Section: 220/100	Title: Lubricating oil system TD 71 GE, ENG - 77855



VME Parts AB
FH 259 A
PRINTED IN SWEDEN

Pos	Part	Q1	Q2	Q3	Q4	Q5	PS	Kit	Description	Option(s)	Remark
1		1							Oil pump		See ref 221/100
2	VOE471513	4							Screw		
3	VOE4772100	1							Suction pipe		ENG - 97292
	VOE11030171	1							Suction pipe		ENG 97293 -
4	VOE470383	2							Sealing ring		
5	VOE13965183	2							Flange screw		ENG - 97292
	VOE13965184	2							Flange screw		ENG 97293 -
6	VOE4772097	1							Baffle plate		ENG - 97292
	VOE11032801	1							Baffle plate		ENG 97293 -
7	VOE4772098	1							Bracket		ENG - 97292
	VOE11032855	1							Bracket		ENG 97293 -
8	VOE13965218	2							Screw		ENG - 97292
	VOE946440	2							Flange screw		ENG 97293 -
8A	VOE421750	1							Washer		ENG - 97292

Date: 2014/1/4	Image id: FH376	Catalogue: 99516	Model: EC300
Brand: Åkerman	Serial: 4371-4797	Group/Section: 220/150	Title: Lubricating oil system TD 71 GE, TD 71 ACE, ENG 77856-



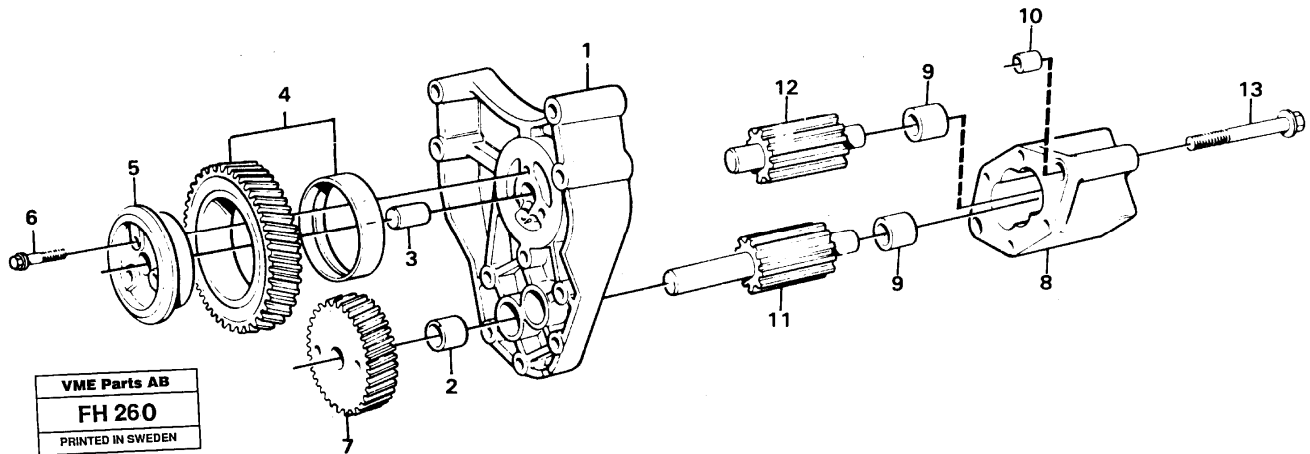
Q1-Q5	Option	Option description	
Q1 TD71GE			

Pos	Part	Q1	Q2	Q3	Q4	Q5	PS	Kit	Description	Option(s)	Remark
1		1							Oil pump		See ref 221/100
2	VOE471734	2							Screw		
3	VOE471513	4							Screw		
4	VOE4772186	1							Oil feed pipe		TD71GE, ENG - 97292
	VOE11032847	1							Oil feed pipe		TD71GE, ENG 97293 -
	VOE477947	1							Oil feed pipe		TD71ACE, ENG - 97292
	VOE477948	1							Oil feed pipe		TD71ACE, ENG 97293 -
5	VOE13955894	4							Washer		
6	VOE980786	3							Fitting		(VOE956972)
7	VOE955268	6							Hexagon screw		
8	VOE4772187	1							Oil feed pipe		
9	VOE862055	1							Tube		

10	VOE862197	1					OP		Oil dipstick		
	VOE955984	1							•O-ring		
11	VOE955948	6							Toothed washer		
12	VOE470383	1							Sealing ring		
13	VOE11030522	1							Oil pan		See ref 217/100
14	VOE946440	32							Flange screw		
	VOE956567	4							Screw		
15	VOE471956	2							Sealing ring		
16	VOE11054692	1							Valve		
17	VOE949329	1							Gasket		
18	VOE11030779	1							Gasket		TD 71 GE
	VOE11030779	1							Gasket		TD 71 ACE
19	VOE471588	2							Connector		
20	VOE11032898	1							Bracket		(VOE11030588)
21	VOE4772181	1							Baffle plate		TD71GE
	VOE4772097	1							Baffle plate		TD71ACE, ENG - 97292
	VOE11032801	1							Baffle plate		TD71ACE, ENG 97293 -
22	VOE13946173	2							Screw		(VOE946173)
23	VOE13955894	2							Washer		
24	VOE946036	2							Lock nut		
25	VOE4772185	1							Spacer		
26	VOE471595	2							Connector		
27	VOE4778331	1							Spacer		
28	VOE11030590	1							Suction pipe		TD71GE, ENG - 97292
	VOE11032849	1							Suction pipe		TD71GE, ENG 97293 -
	VOE4772100	1							Suction pipe		TD71ACE, ENG - 97292
	VOE11030171	1							Suction pipe		TD71ACE, ENG 97293 -
29	VOE968303	2							Hexagon screw		
30	VOE4772172	1							Oil reservoir		
31	VOE946440	6							Flange screw		
32	VOE944126	1							O-ring		
33	VOE4778037	1							Strainer housing		
34	VOE946671	4							Flange screw		
35	VOE4772182	1							Bracket		
36	VOE946440	2							Flange screw		
37	VOE946671	1							Flange screw		
38	VOE13955894	1							Washer		
39	VOE946036	1							Lock nut		
40	VOE4778425	1							Pipe		
41	VOE955312	2							Hexagon screw		ENG - 97292
	VOE980103	2							Hexagon screw		ENG 97293 -
42	VOE4778328	1							Sleeve		
43	VOE944126	1							O-ring		
44	VOE4772174	1							Connector		
45	VOE13965216	2							Screw		
46	VOE4778330	2							Flange		
47	VOE944126	2							O-ring		

48	VOE4772177	1							Tube		
49	VOE13946173	4							Screw		(VOE946173)
50	VOE4772173	1							Strainer housing		
51	VOE13947760	2							Screw		
52	VOE4778048	2							Strainer		
53	VOE471746	1							Clamp		
54	VOE946440	1							Flange screw		
55	VOE956568	4							Allen Hd Screw		
56	VOE13955894	4							Washer		
57	VOE4772104	1							Clamp		
58	VOE13948356	1							Flange screw		
59	VOE13945407	1							Nut		
	VOE955082	1							Cap plug		
60	VOE946440	2							Flange screw		

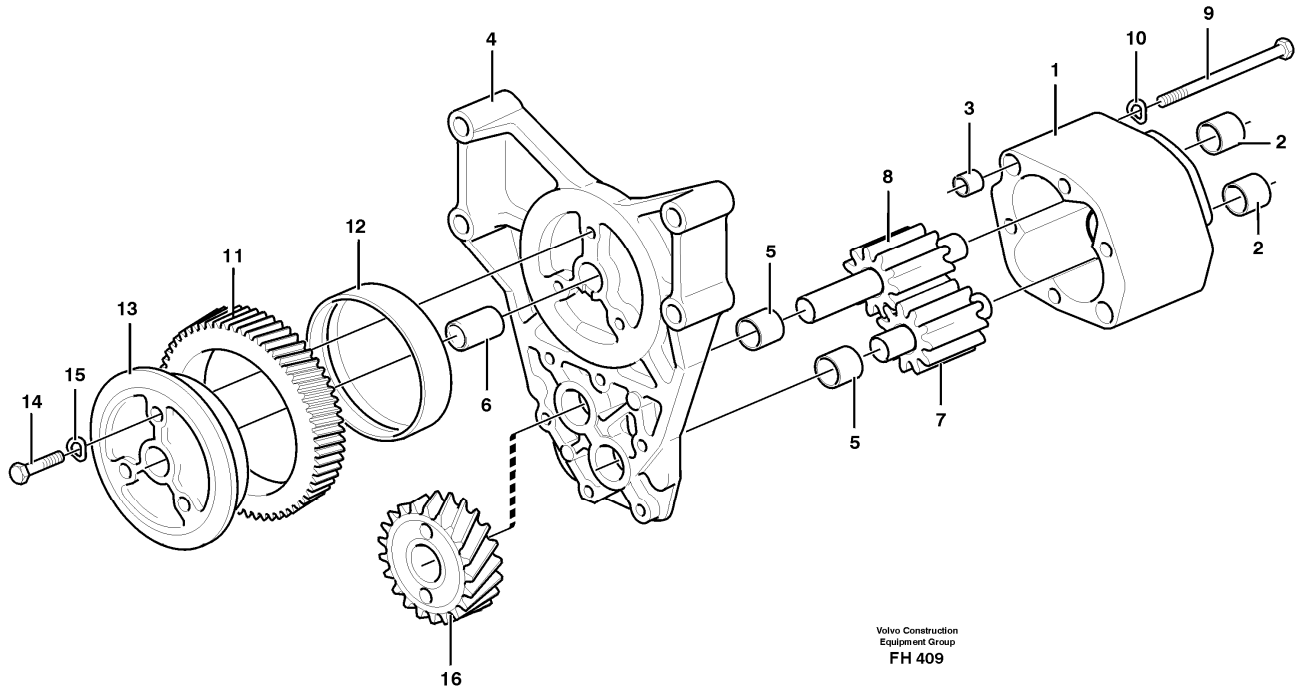
Date: 2014/1/4	Image id: FH260	Catalogue: 99516	Model: EC300
Brand: Åkerman	Serial: 4371-4797	Group/Section: 221/100	Title: Oil pump ENG - 97292



Q1-Q5	Option	Option description	
Q1 TD 71 GE			
Q2 TD 71 ACE			

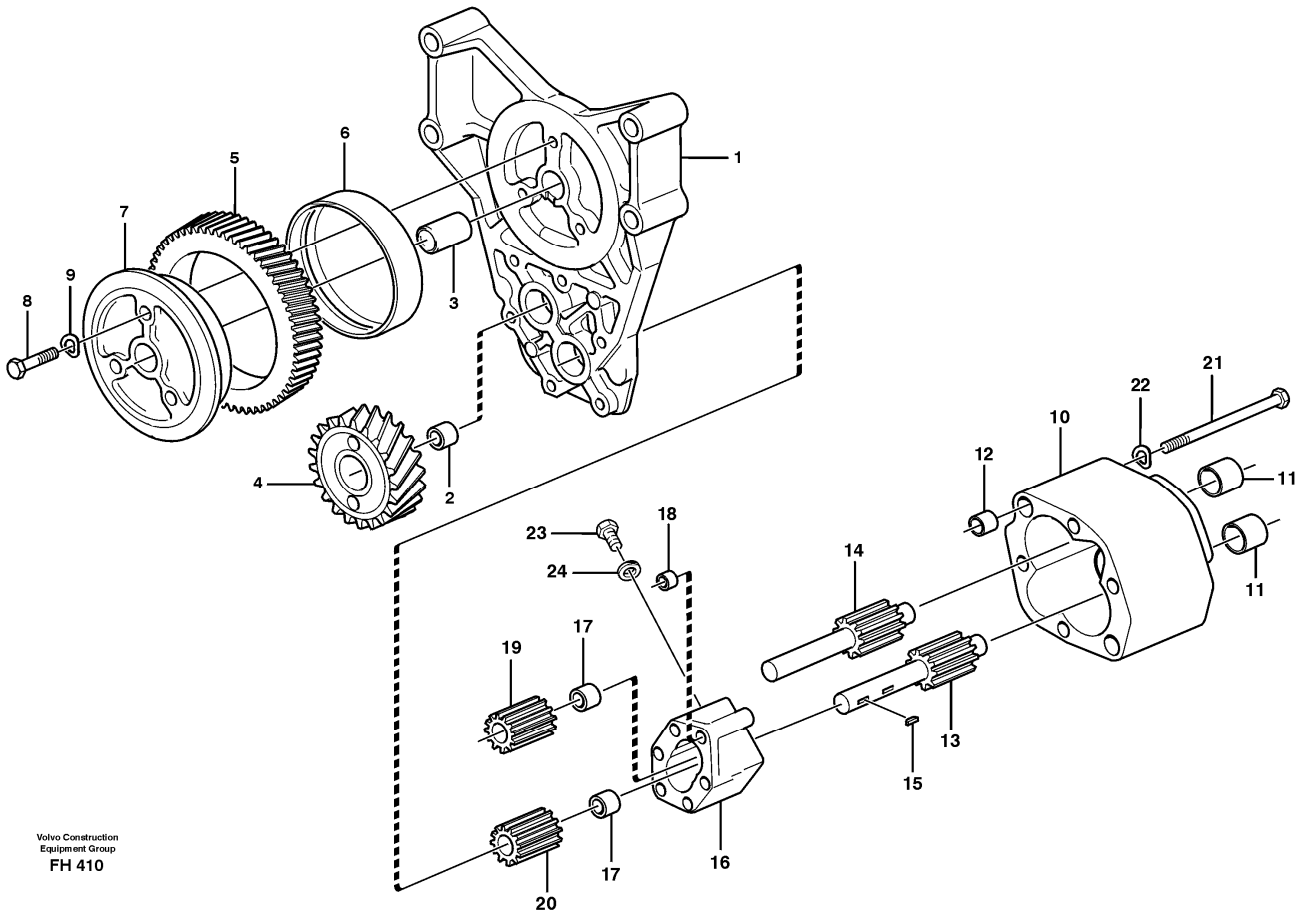
Pos	Part	Q1	Q2	Q3	Q4	Q5	PS	Kit	Description	Option(s)	Remark
	VOE11030633	1							Oil pump		
	VOE477547		1						Oil pump		
	VOE471571	1	1						•Bracket		
1	VOE471572	1	1				NS		••Bracket		
2	VOE470347	2	2					K	•••Bushing		
3	VOE191171	1	1						••Pin		(VOE191171)
4	VOE471942	1	1						•Drive Gear		
5	VOE420048	1	1						•Bearing sleeve		
6	VOE471586	1	1						•Screw		
7	VOE471941	1	1						•Drive Gear		
	VOE4772129	1	1				NS		•Oil pump housing		
8	VOE4772131	1	1				NS		••Housing		
9	VOE470347	2	2					K	•••Bushing		
10	VOE401146	1	1						••Guide sleeve		
11		1	1				NS	K	•Shaft		
12		1	1				NS	K	•Shaft		
13	VOE13955311	2							•Screw		(VOE965218)
	VOE13965181		2						•Screw		
	VOE11702289	1							Repair kit		
	VOE276152		1						Repair kit		

Date: 2014/1/4	Image id: FH409	Catalogue: 99516	Model: EC300
Brand: Åkerman	Serial: 4371-4797	Group/Section: 221/200	Title: Oil pump TD71ACE



Pos	Part	Q1	Q2	Q3	Q4	Q5	PS	Kit	Description	Option(s)	Remark
	VOE864760	1							Oil pump		ENG 97293 -
1	VOE470345	1					NS		•Oil pump housing		
2	VOE470347	2							••Bushing		
3	VOE401146	2							••Guide sleeve		
4	VOE471572	1					NS		•Bracket		
5	VOE470347	2							••Bushing		
6	VOE191171	1							••Pin		
7	VOE471579	1					NS		•Shaft		
8	VOE478273	1					NS		•Shaft		
9	VOE13965183	2							•Flange screw		
10	VOE13941907	2							•Washer		
11	VOE471942	1							•Drive Gear		
12	VOE471585	1					NS		••Bushing		
13	VOE420048	1							•Bearing sleeve		
14	VOE940186	1							•Hexagon screw		
15	VOE13941907	1							•Washer		
16	VOE471941	1							•Drive Gear		
	VOE276156	1							Repair kit		

Date: 2014/1/4	Image id: FH410	Catalogue: 99516	Model: EC300
Brand: Åkerman	Serial: 4371-4797	Group/Section: 221/300	Title: Oil pump TD71GE



Pos	Part	Q1	Q2	Q3	Q4	Q5	PS	Kit	Description	Option(s)	Remark
	VOE11032844	1							Oil pump		ENG 97293 -
1	VOE471571	1							•Bracket		
2	VOE470347	2							••Bushing		
3	VOE191171	1							••Pin		(VOE7191171)
4	VOE471941	1							•Drive Gear		
5	VOE471942	1							•Drive Gear		
6	VOE471585	1					NS		••Bushing		
7	VOE420048	1							•Bearing sleeve		
8	VOE471586	1							•Screw		
9	VOE13941907	1							•Washer		
10	VOE470344	1					NS		•Oil pump housing		
11	VOE470347	2							••Bushing		
12	VOE401146	2							••Guide sleeve		
13	VOE4778325	1							•Shaft		



Suggest:

For more complete manuals. Please go to the home page.

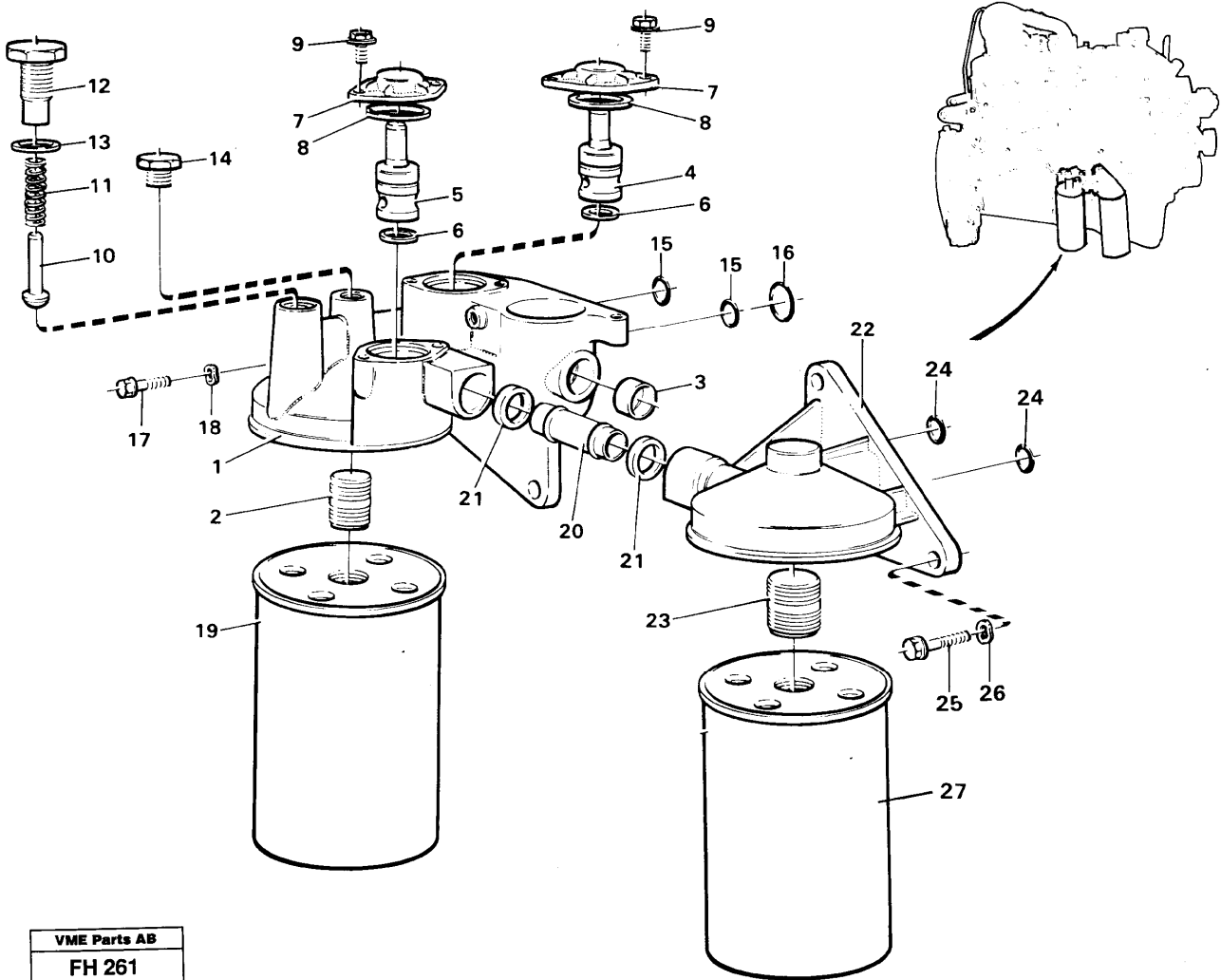
<https://www.ebooklibonline.com>

If the above button click is invalid. Please download this document first, and then click the above link to download the complete manual.

Thank you so much for reading

14	VOE4778319	1							•Shaft		
15	VOE910115	1							•Woodruff key		
16	VOE11032851	1							•Pump housing		
17	VOE470347	2							••Bushing		
18	VOE401146	2							••Guide sleeve		
19	VOE4778435	1							•Gear		
20	VOE470353	1							•Pump rotor		
21	VOE967825	2							•Hexagon screw		
22	VOE13941907	2							•Washer		
23	VOE13960632	1							•Plug		
24	VOE13947624	1							•Plane gasket		

Date: 2014/1/4	Image id: FH261	Catalogue: 99516	Model: EC300
Brand: Åkerman	Serial: 4371-4797	Group/Section: 222/100	Title: Oil filter, Housing



VME Parts AB
FH 261
PRINTED IN SWEDEN

Pos	Part	Q1	Q2	Q3	Q4	Q5	PS	Kit	Description	Option(s)	Remark
	VOE471600	1							Housing		
1	VOE421637	1					NS		•Oil filter housing		
2	VOE466623	1							••Nipple		
3	VOE13948811	1							••Cap plug		
4	VOE471812	1							•Valve		BLUE, TD 71 GE
	VOE471706	1							•Reduction valve		TD 71 ACE
	VOE466445	1							••Compression spring		
5	VOE471640	1							•Reduction valve		RED, TD 71 GE
	VOE471646	1							•Piston cooling valve		TD 71 ACE
6	VOE469846	2							•Sealing ring		

<https://www.ebooklibonline.com>

Hello dear friend!

Thank you very much for reading.

Enter the link into your browser.

The full manual is available for immediate download.

<https://www.ebooklibonline.com>