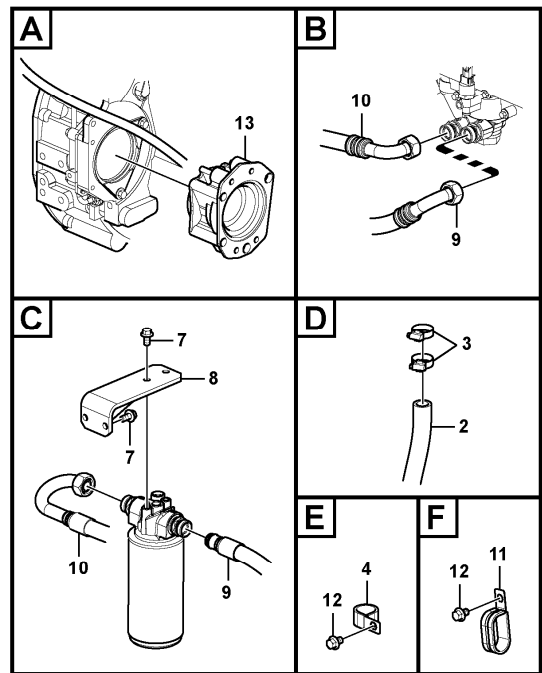
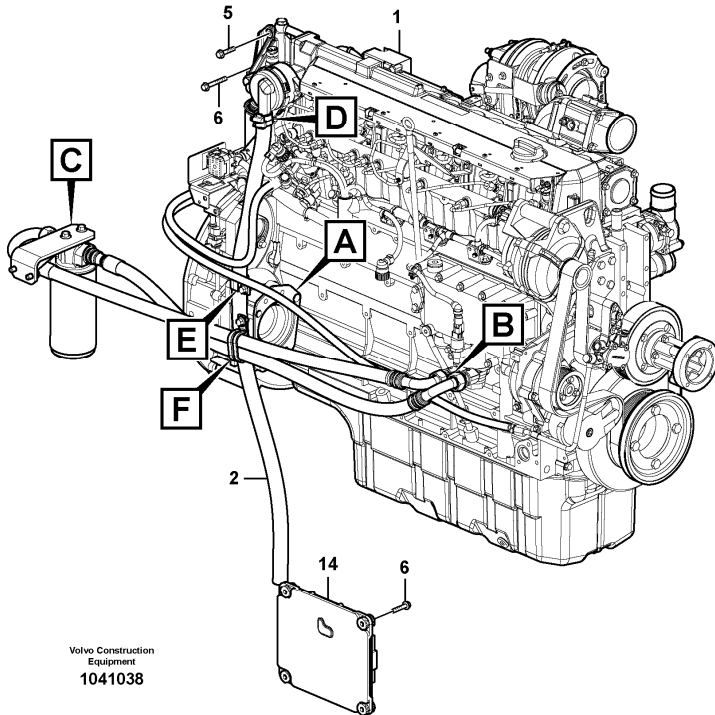


Date: <b>2013/11/23</b>	Image id: <b>1041038</b>	Catalogue: <b>20431</b>	Model: <b>EC290B LC</b>
Brand: <b>Volvo</b>	Serial: <b>17001-, 35001-, 85001-</b>	Group/Section: <b>210/100</b>	Title: <b>Engine</b>



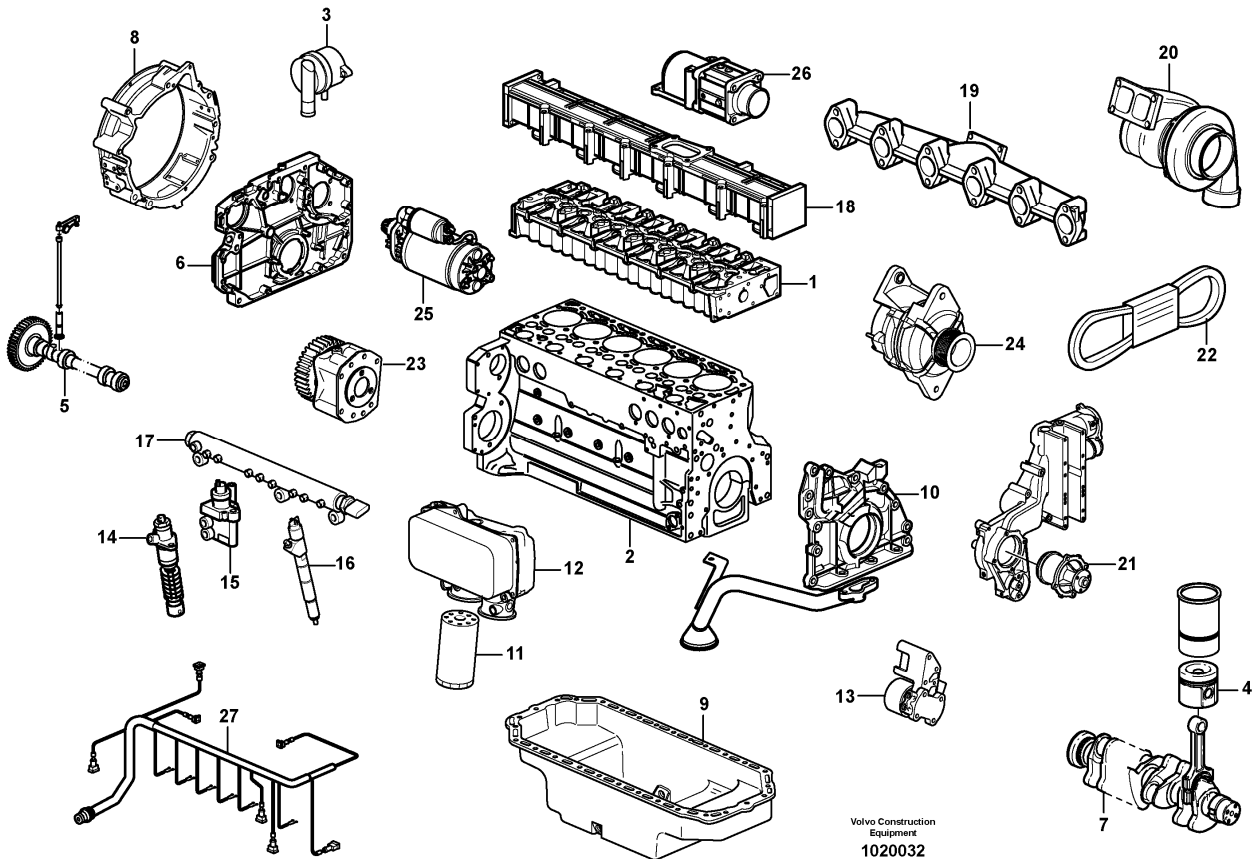
Section option	Kit	Option description
VOE8286031		Engine with Epa label EMISSION CERTIFICATED FROM EU&EPA
VOE8286050		Leak-off line for slope-rotator on basic machine
VOE8286030		Engine without Epa label

Q1-Q5	Option	Option description	
Q1 8286030	VOE8286030	Engine without Epa label	
Q2 8286031	VOE8286031	Engine with Epa label EMISSION CERTIFICATED FROM EU&EPA	
Q3 8286050	VOE8286050	Leak-off line for slope-rotator on basic machine	

Pos	Part	Q1	Q2	Q3	Q4	Q5	PS	Kit	Description	Option(s)	Remark
1	VOE14536075	1							Engine		Tier 2 Engine
	VOE14536078		1						Engine		Tier 3 Engine
2	VOE14880502	1	1						Hose		
3	VOE943475	1	1						Hose clamp		



Date: <b>2013/11/23</b>	Image id: <b>1020032</b>	Catalogue: <b>20431</b>	Model: <b>EC290B LC</b>
Brand: <b>Volvo</b>	Serial: <b>17001-, 35001-, 85001-</b>	Group/Section: <b>210/200</b>	Title: <b>Engine</b>



Section option	Kit	Option description
VOE8286031		Engine with Epa label EMISSION CERTIFICATED FROM EU&EPA
VOE8286030		Engine without Epa label

Q1-Q5	Option	Option description	
Q1 8286030	VOE8286030	Engine without Epa label	
Q2 8286031	VOE8286031	Engine with Epa label EMISSION CERTIFICATED FROM EU&EPA	

Pos	Part	Q1	Q2	Q3	Q4	Q5	PS	Kit	Description	Option(s)	Remark
	VOE14536075	1							Engine		D7EEAE2
	VOE14536078		1						Engine		D7EEAE3
1		1	1						•Cylinder head		See ref 211/100
2		1	1						•Cylinder block		See ref 212/100
3		1	1						•Crankcase ventilation		See ref 212/300

**<https://www.ebooklibonline.com>**

Hello dear friend!

Thank you very much for reading.

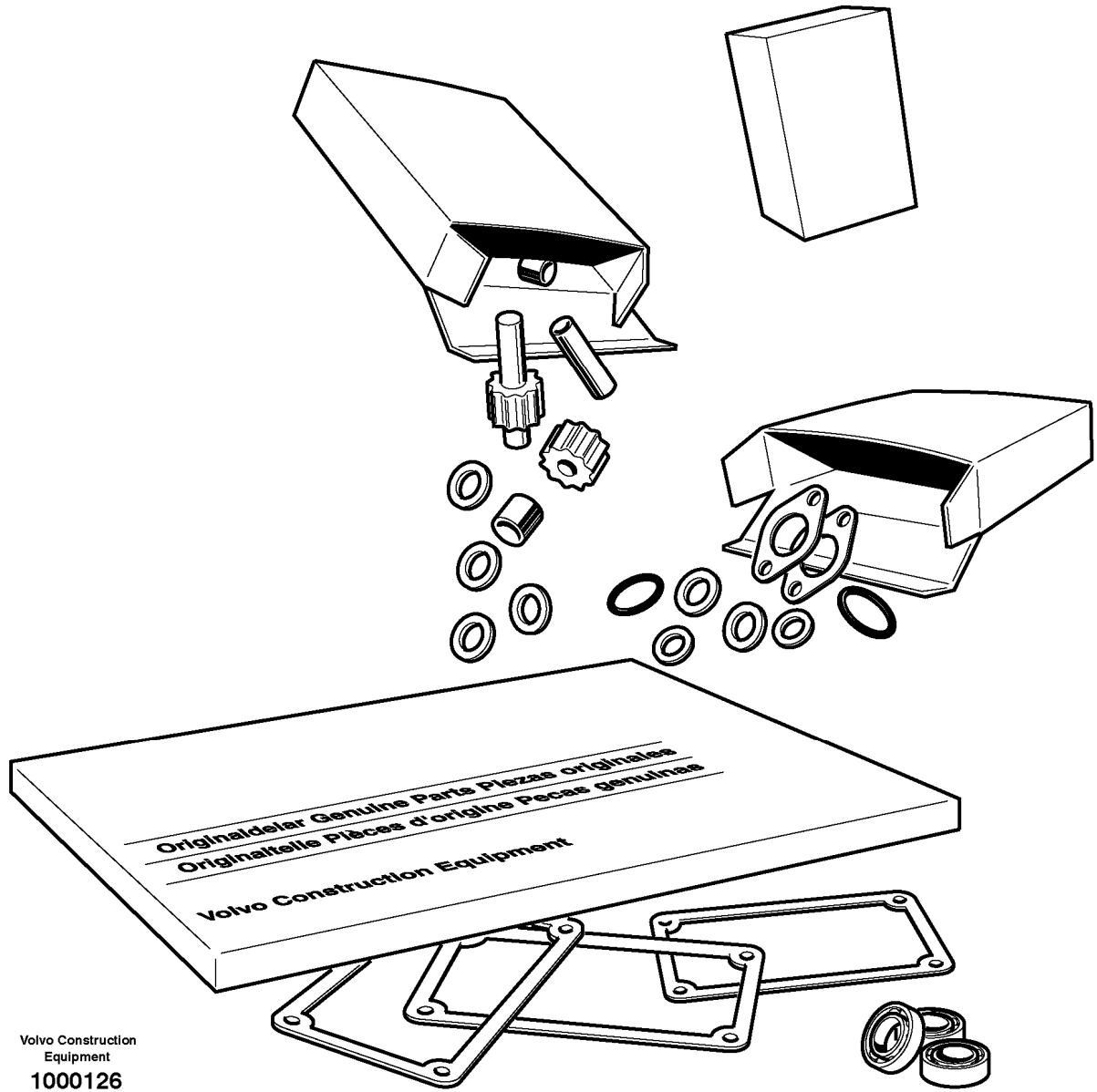
Enter the link into your browser.

The full manual is available for immediate download.

**<https://www.ebooklibonline.com>**

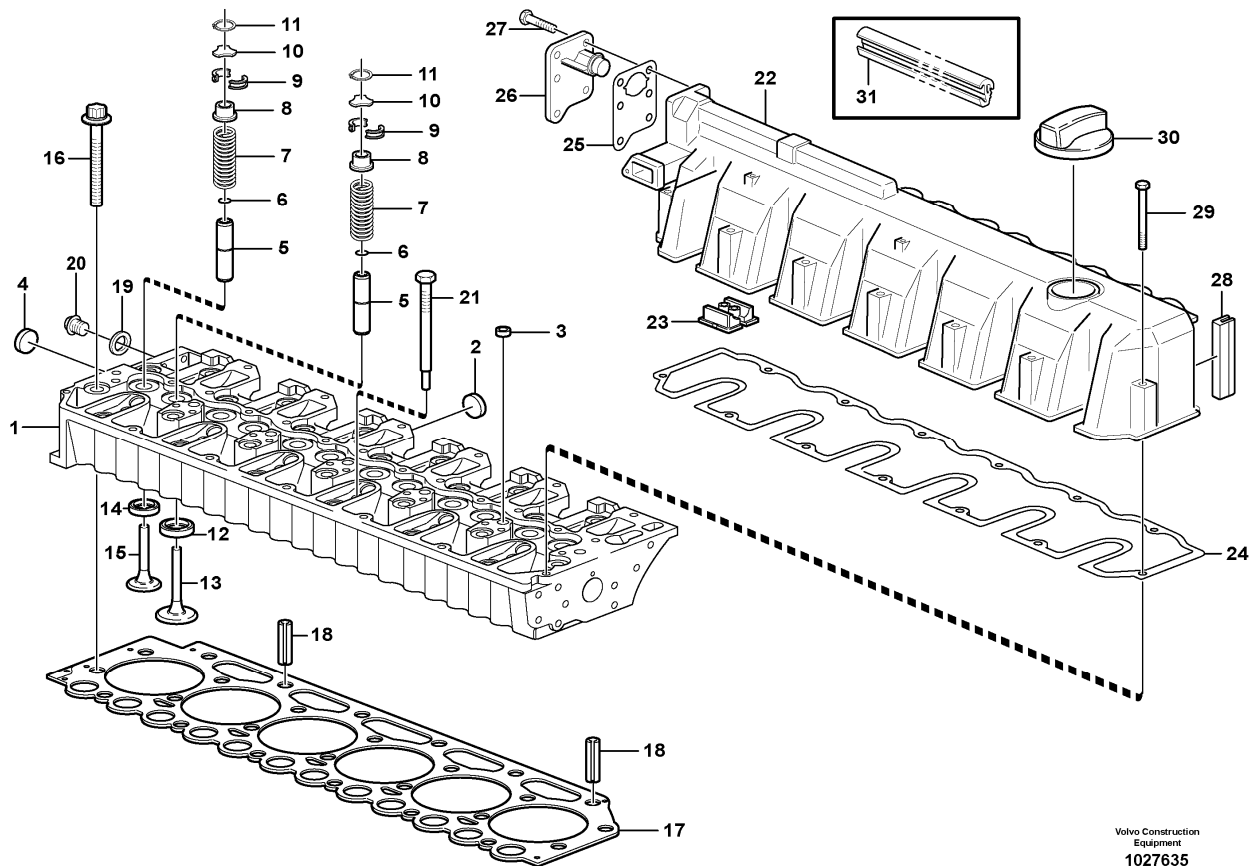
4		6	6						•Piston		See ref 213/100
5		1							•Valve mechanism		See ref 214/100
			1						•Valve mechanism		See ref 214/110
6		1	1						•Timing gear casing		See ref 215/100
7		1	1						•Crankshaft		See ref 216/100
8		1	1						•Flywheel Hsg		See ref 216/200
9		1	1						•Oil sump		See ref 217/100
10		1	1						•Lubricating system		See ref 221/100
11		1	1						•Oil filter		See ref 222/200
12		1	1						•Oil cooler		See ref 223/100
13		1	1						•Fuel pump		See ref 233/100
14		2	2						•Injection pump		See ref 237/100
15		1	1						•Regulator		See ref 237/100
16		6	6						•Injector		See ref 237/100
17		1	1						•Rail		See ref 237/100
18		1	1						•Inlet pipe		See ref 251/100
19		1	1						•Exhaust pipe		See ref 251/100
20		1	1						•Turbocharger		See ref 255/100
21		1	1						•Coolant Pump		See ref 262/100
22		1	1						•V-belt		See ref 263/100
23		1	1						•Pump drive		See ref 215/300
24		1	1						•Alternator		See ref 321/100
25		1	1						•Starter motor		See ref 331/100
26		1	1						•Pre-heater		See ref 333/200
27		1	1						•Cable harness		See ref 371/300

Date: <b>2013/11/23</b>	Image id: <b>1000126</b>	Catalogue: <b>20431</b>	Model: <b>EC290B LC</b>
Brand: <b>Volvo</b>	Serial: <b>17001-, 35001-, 85001-</b>	Group/Section: <b>210/300</b>	Title: <b>Repair kits for engine</b>



Pos	Part	Q1	Q2	Q3	Q4	Q5	PS	Kit	Description	Option(s)	Remark
	VOE15011490	1							Overhaul kit		
	VOE15011483	1							•Cylinder head kit		
	VOE20865990	6							•Cyl Liner Kit		

Date: <b>2013/11/23</b>	Image id: <b>1027635</b>	Catalogue: <b>20431</b>	Model: <b>EC290B LC</b>
Brand: <b>Volvo</b>	Serial: <b>17001-, 35001-, 85001-</b>	Group/Section: <b>211/100</b>	Title: <b>Cylinder head 8286030,8286031</b>



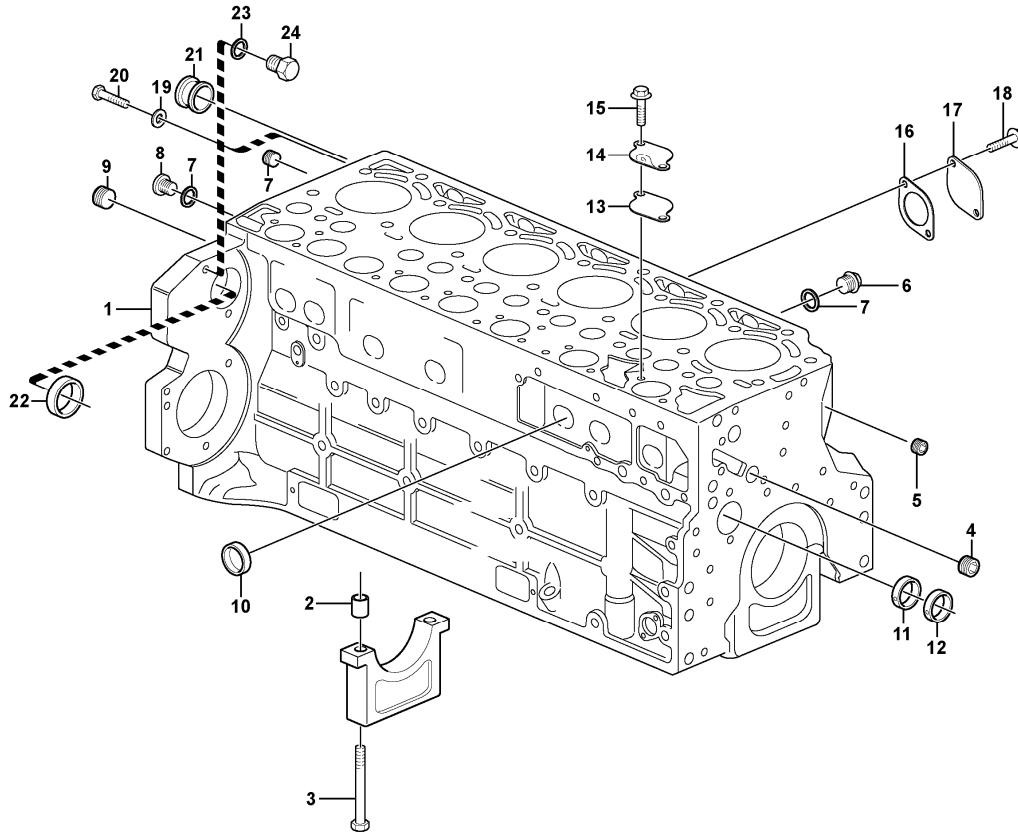
Volvo Construction  
Equipment  
1027635

Section option	Kit	Option description
VOE8286031		Engine with Epa label EMISSION CERTIFICATED FROM EU&EPA
VOE8286030		Engine without Epa label

Pos	Part	Q1	Q2	Q3	Q4	Q5	PS	Kit	Description	Option(s)	Remark
1	VOE20799762	1							Cylinder head		
2	VOE20799722	5							•Plug		
3	VOE20412733	5							•Core plug		
4	VOE20914266	2							•Core Plug		
5	VOE20405897	12							•Valve guide		
6	VOE11700348	12							•O-ring		
7	VOE11700347	12							•Valve spring		
8	VOE20847155	12							•Retainer		
9	VOE11700345	24							•Valve sleeve		
10	VOE20840807	12							•Thrust Washer		

11	VOE20840772	12							•Snap Ring		
12	VOE20459962	6							•Valve seat		
13	VOE20758481	6							•Inlet valve		
14	VOE20845144	6							•Valve seat		
15	VOE20755883	6							•Exhaust Valve		
16	VOE11700334	26							Screw		
17	VOE20943385	1							Cyl Head Gasket		THICK = 1,4 MM 1 HOLE
17	VOE20949868	1							Cyl Head Gasket		THICK = 1,5 MM 2 HOLES
17	VOE20943389	1							Cyl Head Gasket		THICK = 1,6 MM 3 HOLES
18	VOE20405521	2							Guide pin		
19	VOE13947281	1							Gasket		
20	VOE960628	1							Plug		
21	VOE20405895	6							Plug		
22	VOE21455720	1							Valve Cover		(VOE21134640)
23	VOE20412600	1							•Cap		
24	VOE20792871	1							•Gasket		
25	VOE20840801	1							•Gasket		
26	VOE20933359	1							•Oil Separator		
27	VOE20797542	6							•Screw		
28	VOE20847667	1							•Sealing		
29	VOE21145471	13							•Flange screw		
30	VOE20412589	1							Filler cap		
31	VOE20996748	1							Sealing Strip		

Date: <b>2013/11/23</b>	Image id: <b>1056314</b>	Catalogue: <b>20431</b>	Model: <b>EC290B LC</b>
Brand: <b>Volvo</b>	Serial: <b>17001-, 35001-, 85001-</b>	Group/Section: <b>212/100</b>	Title: <b>Cylinder block 8286030,8286031</b>



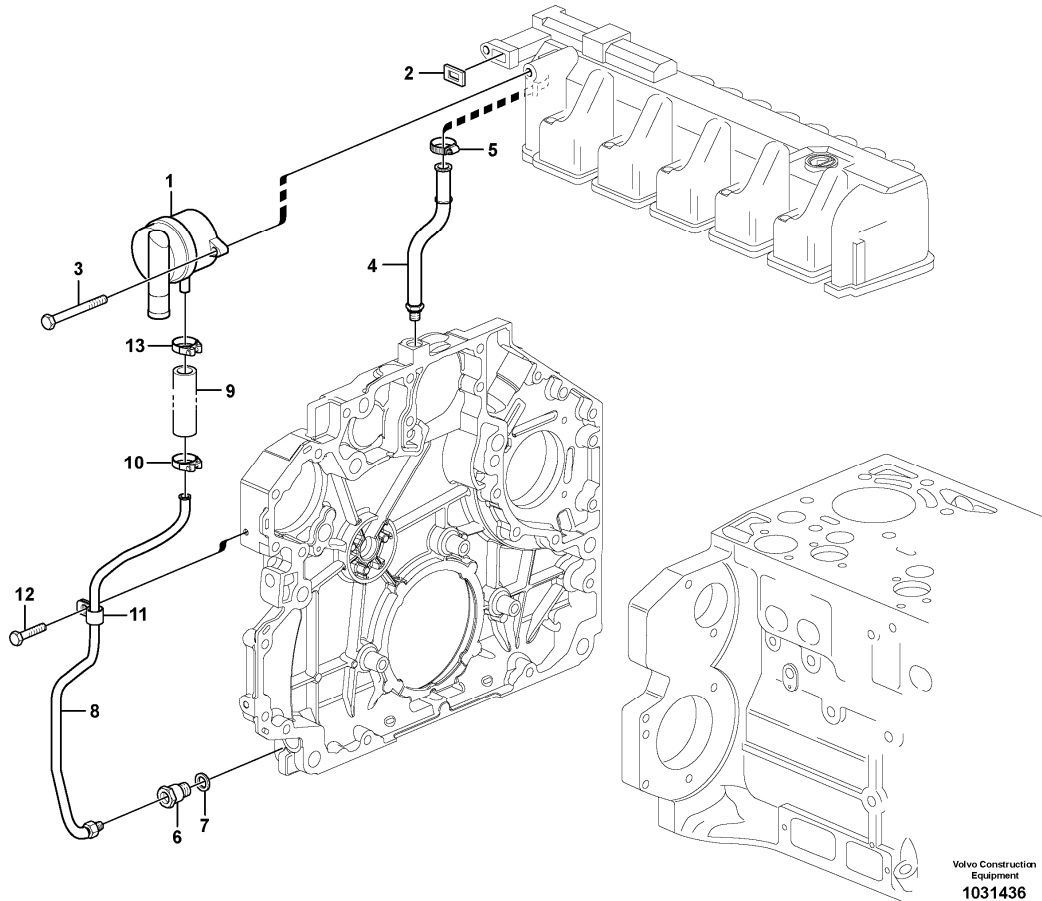
Volvo Construction  
Equipment  
1056314

Section option	Kit	Option description
VOE8286031		Engine with Epa label EMISSION CERTIFICATED FROM EU&EPA
VOE8286030		Engine without Epa label

Pos	Part	Q1	Q2	Q3	Q4	Q5	PS	Kit	Description	Option(s)	Remark
1	VOE20851922	1							Crankcase		
2	VOE11700278	14							•Bushing		
3	VOE20405583	14							•Bolt		
4	VOE20405719	1							•Plug		
5	VOE20508600	2							•Plug		
6	VOE20405716	2							•Plug		
7	VOE13969011	3							•Gasket		
8	VOE945065	1							•Plug		
9	VOE20785813	1							•Plug		
10	VOE20405721	10							•Core plug		

11	VOE11700285	1							•Bearing bushing		
12	VOE11700284	6							•Bearing bushing		
13	VOE20933203	1							Gasket		
14	VOE20840812	1							Cover		
15	VOE20405792	2							Screw		
16	VOE20412341	1							Gasket		
17	VOE21180405	1							Flange		
18	VOE20405885	2							Screw		
19	VOE20460087	1							Washer		
20	VOE20460101	1							Screw		
21	VOE20794126	1							Bushing		
22	VOE20450778	1							Core plug		
23	VOE13947281	2							Gasket		
24	VOE20441859	2							Plug		

Date: <b>2013/11/23</b>	Image id: <b>1031436</b>	Catalogue: <b>20431</b>	Model: <b>EC290B LC</b>
Brand: <b>Volvo</b>	Serial: <b>17001-, 35001-, 85001-</b>	Group/Section: <b>212/300</b>	Title: <b>Crankcase ventilation 8286030,8286031</b>

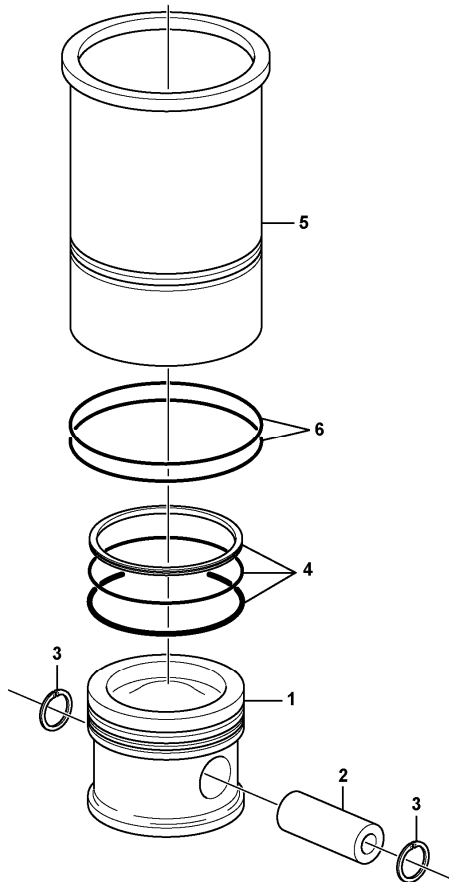


Section option	Kit	Option description
VOE8286031		Engine with Epa label EMISSION CERTIFICATED FROM EU&EPA
VOE8286030		Engine without Epa label

Pos	Part	Q1	Q2	Q3	Q4	Q5	PS	Kit	Description	Option(s)	Remark
1	VOE20930510	1							Pressure regulator		
2	VOE21038626	1							•Gasket		
3	VOE20405504	2							Screw		
4	VOE20820967	1							Oil Line		
5	VOE20799673	1							Hose Clamp		
6	VOE20841133	1							Dtt Regulator		
7	VOE20460026	1							Sealing ring		
8	VOE20904725	1							Oil Line		
9	VOE20821091	1					NS		•Rubber hose		
10	VOE20405568	1							•Clip		



Date: <b>2013/11/23</b>	Image id: <b>1019005</b>	Catalogue: <b>20431</b>	Model: <b>EC290B LC</b>
Brand: <b>Volvo</b>	Serial: <b>17001-, 35001-, 85001-</b>	Group/Section: <b>213/100</b>	Title: <b>Cylinder liner and piston 8286030,8286031</b>

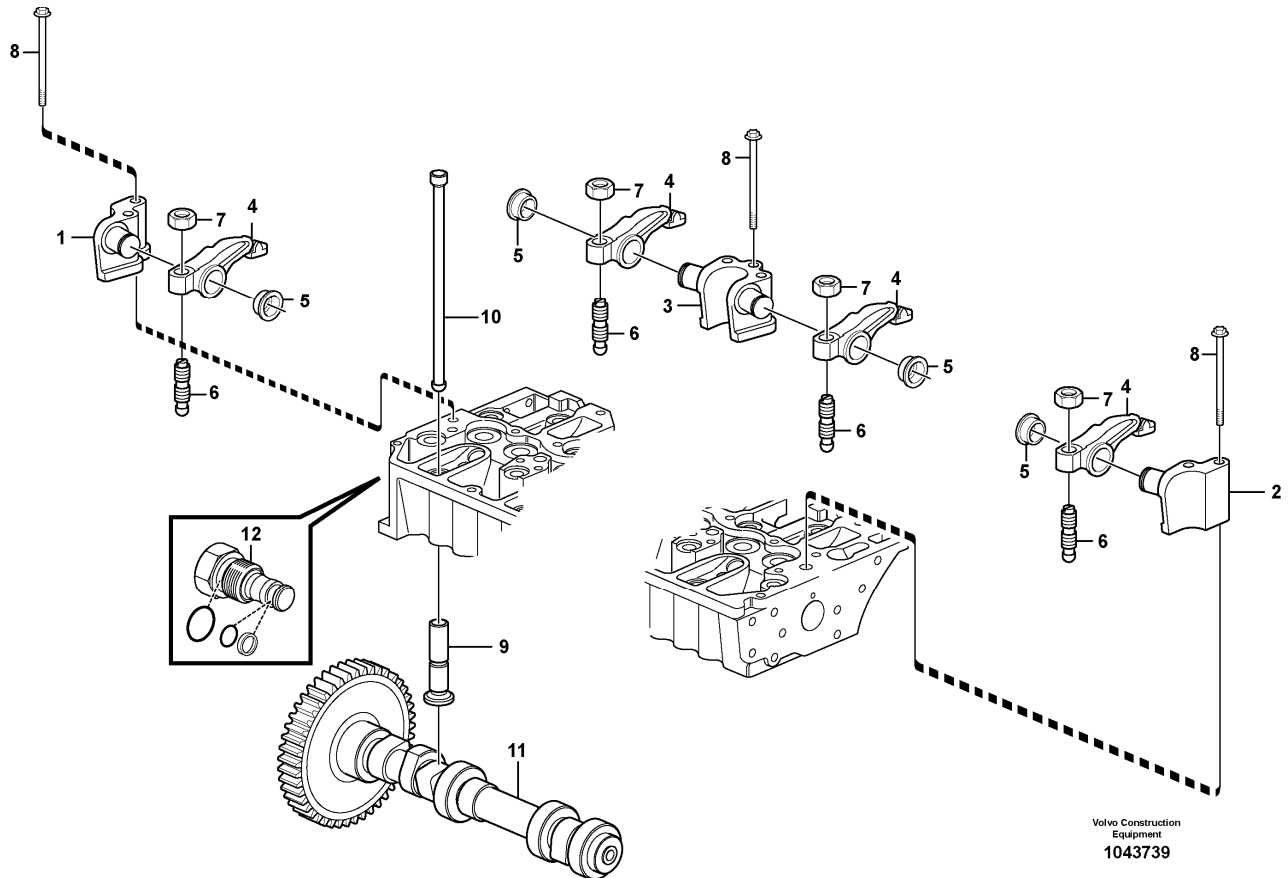


Volvo Construction  
Equipment  
1019005

Section option	Kit	Option description
VOE8286031		Engine with Epa label EMISSION CERTIFICATED FROM EU&EPA
VOE8286030		Engine without Epa label

Pos	Part	Q1	Q2	Q3	Q4	Q5	PS	Kit	Description	Option(s)	Remark
	VOE20865990	6							Cyl Liner Kit		
1		6					NS		•Piston		
2	VOE20405577	6							••Gudgeon pin		
3	VOE20405576	12							••Retaining ring		
4	VOE21299547	6							••Piston ring kit		
5		6					NS		•Cylinder Liner		
6	VOE20412762	12							••O-ring		

Date: <b>2013/11/23</b>	Image id: <b>1043739</b>	Catalogue: <b>20431</b>	Model: <b>EC290B LC</b>
Brand: <b>Volvo</b>	Serial: <b>17001-, 35001-, 85001-</b>	Group/Section: <b>214/100</b>	Title: <b>Valve mechanism</b>



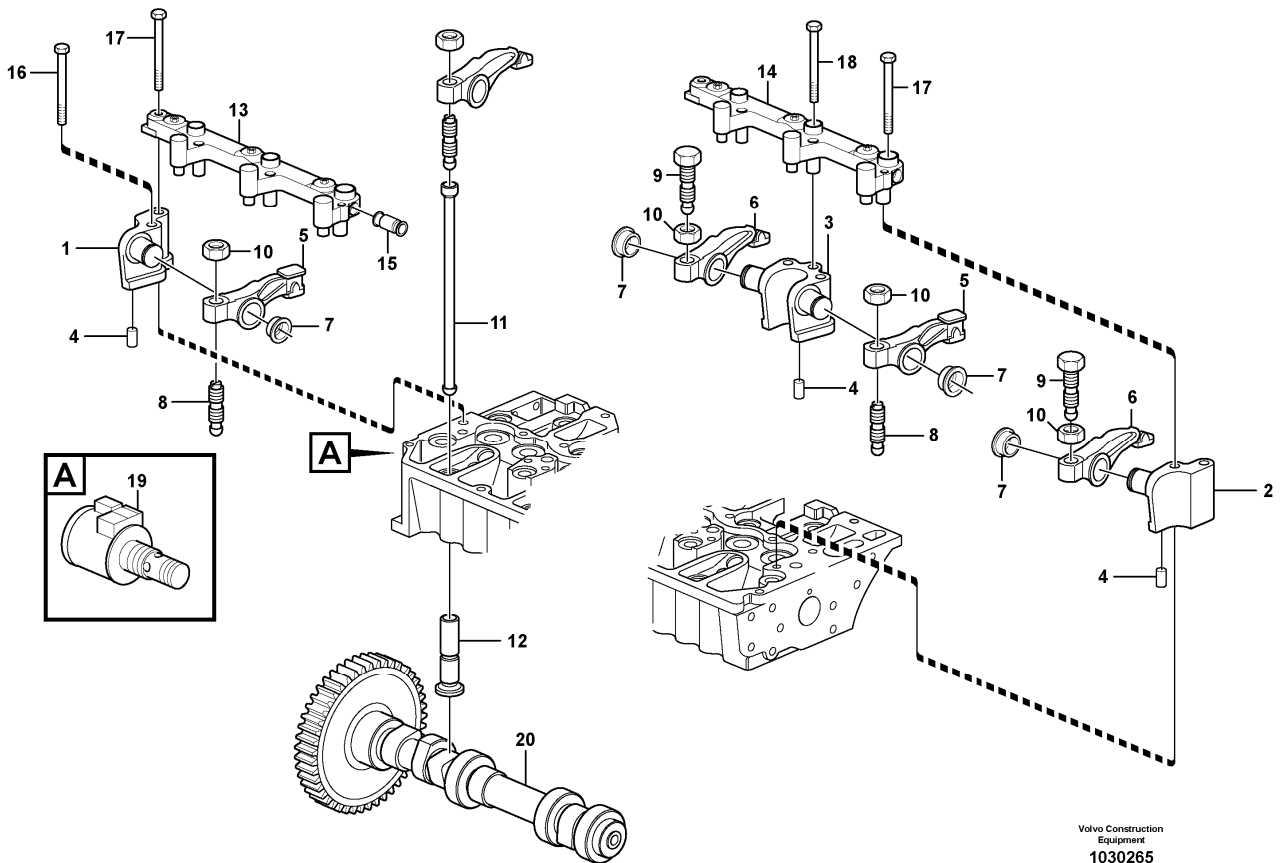
Section option	Kit	Option description
VOE8286030		Engine without Epa label

Q1-Q5	Option	Option description
Q1 8286030	VOE8286030	Engine without Epa label

Pos	Part	Q1	Q2	Q3	Q4	Q5	PS	Kit	Description	Option(s)	Remark
1	VOE20805520	1							Rkr Arm Shaft		
2	VOE20805512	1							Rkr Arm Shaft		
3	VOE20805516	5							Rkr Arm Shaft		
4	VOE21448926	12							Rocker arm		(VOE20792876)
5	VOE20794115	12							Retaining ring		
6	VOE20913851	12							Adjusting Screw		
7	VOE11700373	12							Nut		
8	VOE20405723	14							Screw		
9	VOE20792475	12							Tappet		
10	VOE20405534	12							Push rod		

11	VOE21271240	1							Camshaft		
12	VOE20805523	1							Sealing kit		

Date: <b>2013/11/23</b>	Image id: <b>1030265</b>	Catalogue: <b>20431</b>	Model: <b>EC290B LC</b>
Brand: <b>Volvo</b>	Serial: <b>17001-, 35001-, 85001-</b>	Group/Section: <b>214/110</b>	Title: <b>Valve mechanism</b>



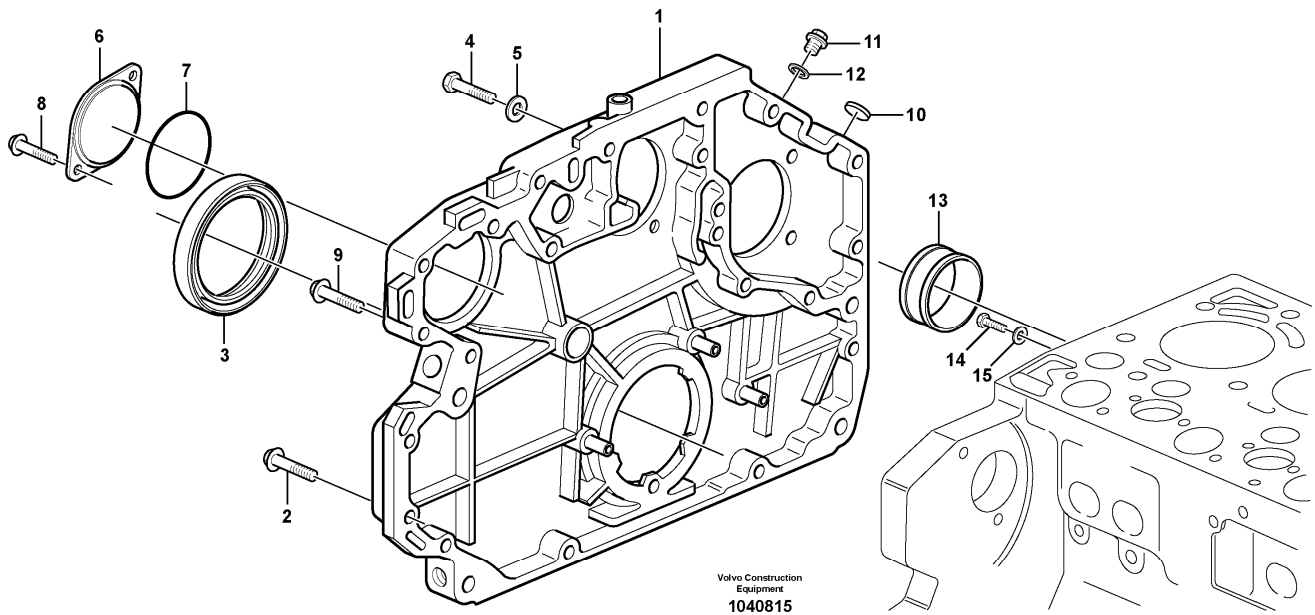
Section option	Kit	Option description
VOE8286031		Engine with Epa label EMISSION CERTIFICATED FROM EU&EPA

Q1-Q5	Option	Option description	
Q1 8286031	VOE8286031	Engine with Epa label EMISSION CERTIFICATED FROM EU&EPA	

Pos	Part	Q1	Q2	Q3	Q4	Q5	PS	Kit	Description	Option(s)	Remark
1	VOE20794124	1							Bracket		
2	VOE20826696	1							Bracket		
3	VOE20793045	5							Bracket		
4	VOE20790837	7							Pin		
5	VOE20792878	6							Rocker Arm		
6	VOE21448926	6							Rocker arm		(VOE20792876)
7	VOE20794115	12							Retaining ring		
8	VOE20913851	6							Adjusting Screw		

9	VOE20816389	6							Adjusting Screw		
10	VOE11700373	12							Nut		
11	VOE20405534	12							Push rod		
12	VOE20792475	12							Tappet		
13	VOE20802124	1							Actuator		
14	VOE20802121	1							Actuator		
15	VOE20798864	1							Pipe		
16	VOE20405723	7							Screw		
17	VOE20799653	7							Bolt		
18	VOE20450802	3							Screw		
19	VOE20795296	1							Solenoid valve		
20	VOE21271240	1							Camshaft		

Date: <b>2013/11/23</b>	Image id: <b>1040815</b>	Catalogue: <b>20431</b>	Model: <b>EC290B LC</b>
Brand: <b>Volvo</b>	Serial: <b>17001-, 35001-, 85001-</b>	Group/Section: <b>215/100</b>	Title: <b>Timing gear casing 8286030,8286031</b>

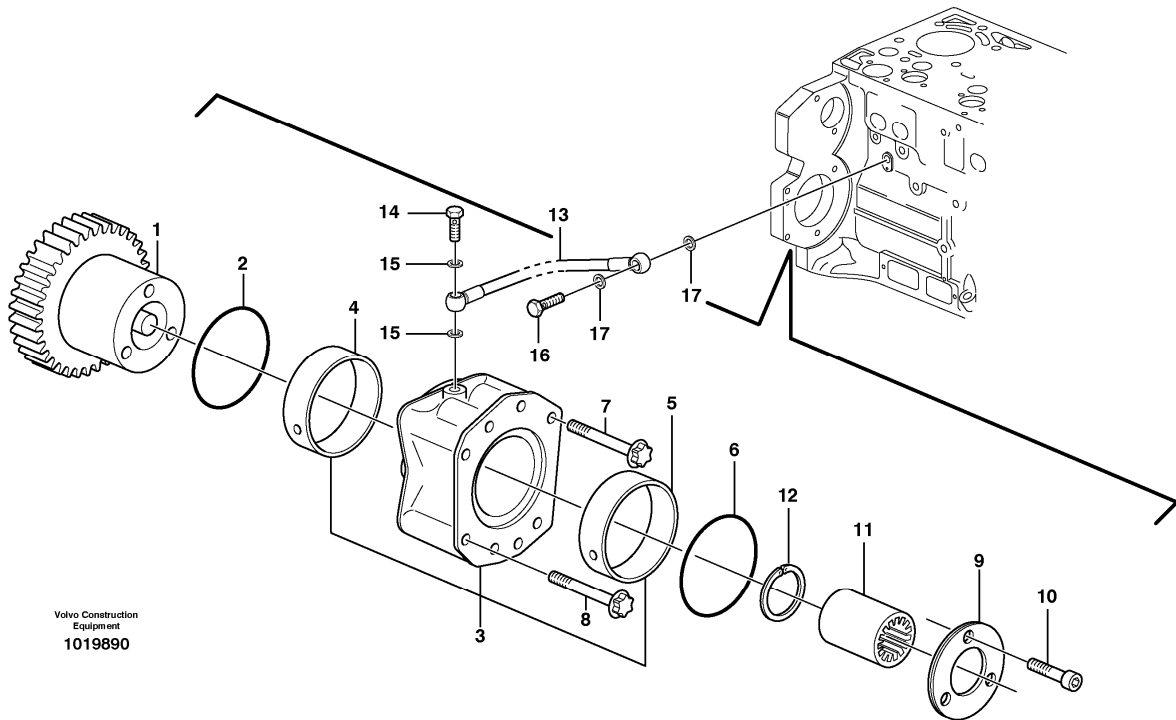


Section option	Kit	Option description
VOE8286031		Engine with Epa label EMISSION CERTIFICATED FROM EU&EPA
VOE8286030		Engine without Epa label

Pos	Part	Q1	Q2	Q3	Q4	Q5	PS	Kit	Description	Option(s)	Remark
1	VOE20972356	1							Timing gear casing		
2	VOE20412324	12							Screw		
3	VOE20412286	1							Sealing ring		
4	VOE20534597	2							Screw		
5	VOE13955900	2							Washer		
6	VOE20950063	1							Cover		
7	VOE20405652	1							Sealing ring		
8	VOE20405709	2							Screw		
9	VOE20405709	1							Screw		
10	VOE20405605	1							Cover		



Date: <b>2013/11/23</b>	Image id: <b>1019890</b>	Catalogue: <b>20431</b>	Model: <b>EC290B LC</b>
Brand: <b>Volvo</b>	Serial: <b>17001-, 35001-, 85001-</b>	Group/Section: <b>215/300</b>	Title: <b>Pump drive power take-off 8286030,8286031</b>



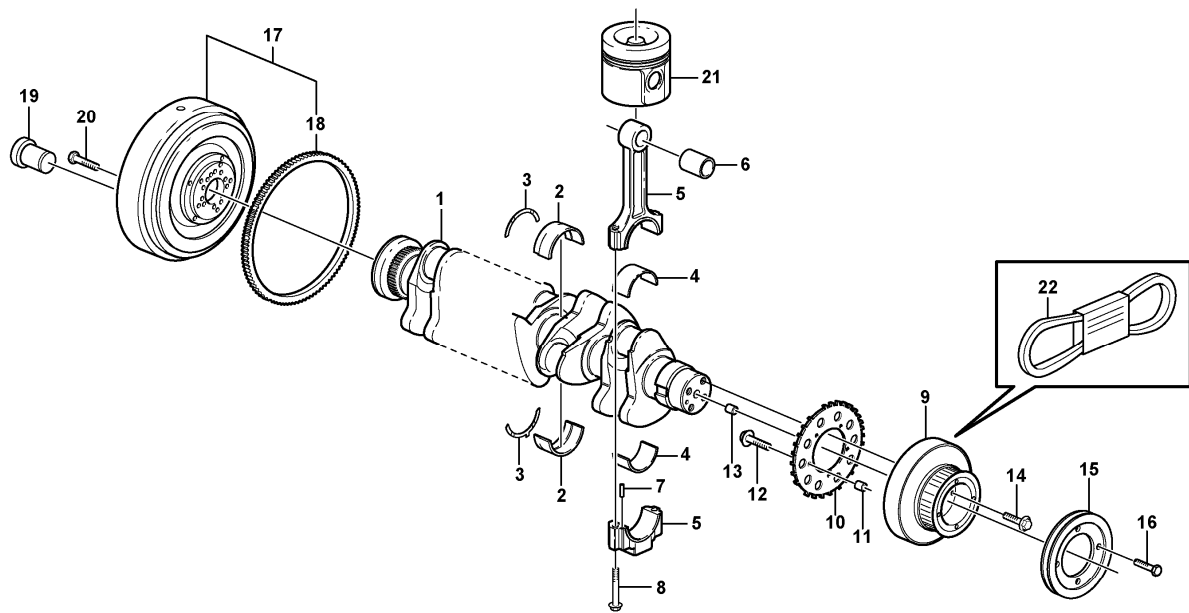
Volvo Construction  
Equipment  
1019890

Section option	Kit	Option description
VOE8286031		Engine with Epa label EMISSION CERTIFICATED FROM EU&EPA
VOE8286030		Engine without Epa label

Pos	Part	Q1	Q2	Q3	Q4	Q5	PS	Kit	Description	Option(s)	Remark
1	VOE21249506	1						K	Gear		
2	VOE20450818	1							O-ring		
3	VOE20450805	1						K	Bearing flange		
4	VOE20450807	1						K	•Bushing		
5	VOE20450809	1						K	•Bushing		
6	VOE20450819	1							O-ring		
7	VOE20450821	2							Screw		
8	VOE21077470	2							Screw		
9	VOE20450811	1						K	Thrust washer		
10	VOE20450822	3						K	Screw		

11	VOE20459123	1						Sleeve		
12	VOE20450815	1					OP	•Retaining ring		
13	VOE20450980	1						Oil line		
14	VOE7025167	1						Hollow screw		(VOE20460231)
15	VOE13947281	2						Gasket		
16	VOE20460289	1						Hollow screw		
17	VOE13947621	2						Plane gasket		
	VOE20900809	1						Hydraulic Pump		

Date: <b>2013/11/23</b>	Image id: <b>1019575</b>	Catalogue: <b>20431</b>	Model: <b>EC290B LC</b>
Brand: <b>Volvo</b>	Serial: <b>17001-, 35001-, 85001-</b>	Group/Section: <b>216/100</b>	Title: <b>Crankshaft and related parts 8286030,8286031</b>



Volvo Construction  
Equipment  
1019575

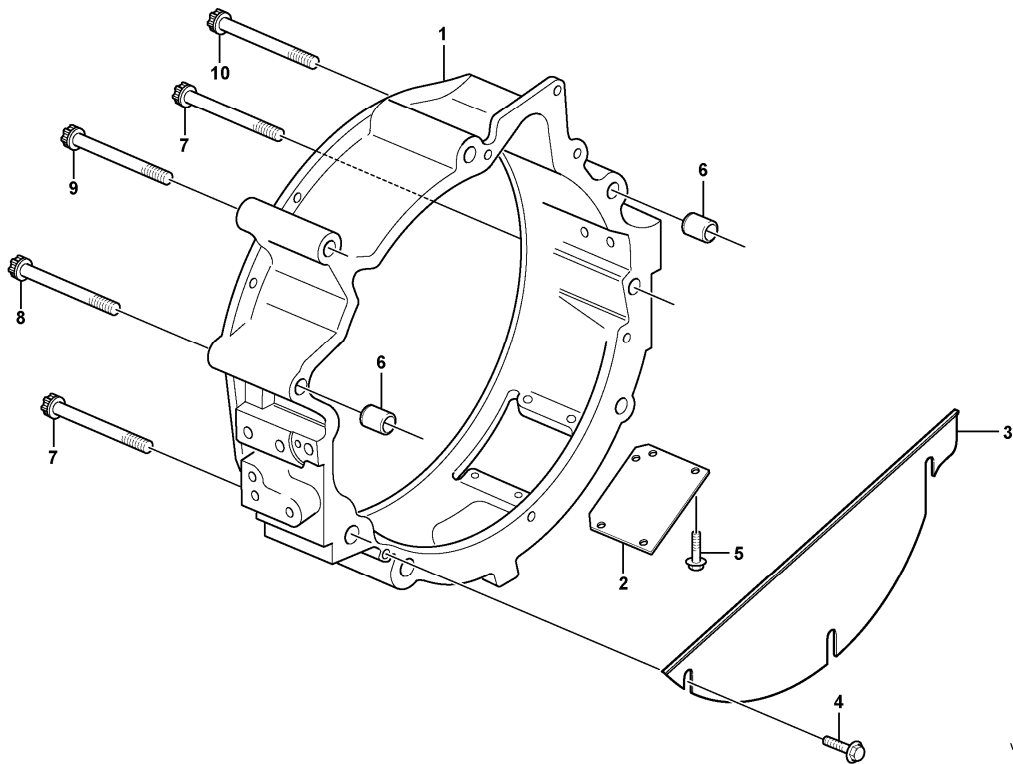
Section option	Kit	Option description
VOE8286031		Engine with Epa label EMISSION CERTIFICATED FROM EU&EPA
VOE8286030		Engine without Epa label

Pos	Part	Q1	Q2	Q3	Q4	Q5	PS	Kit	Description	Option(s)	Remark
1	VOE21245957	1							Crankshaft		
2	VOE21141948	7							Main bearing		STD = 85,00 MM
2	VOE21234191	REQ							Main bearing		U SZ = 84,75 MM
2	VOE20405541	REQ							Main bearing		U SZ = 84,50 MM
3	VOE21141955	1							Raceway washer		STD = 2,9 MM
3	VOE21141963	REQ							Raceway washer		O SZ = 3,1 MM
4	VOE20766790	6							Big-end Bearing		(VOE21290112)STD = 68,00 MM
4	VOE20790423	REQ							Big-end Bearing		(VOE21203681)U SZ = 67,75 MM
4	VOE20790428	REQ							Big-end Bearing		(VOE21203689)U SZ =

67,50 MM

5	VOE20585982	6							Connecting Rod		
6	VOE11700325	6							•Bushing		
7	VOE20459134	12							•Pin		
8	VOE11700326	12							•Bolt		
9	VOE20798543	1							Vibration Dampe		
10	VOE20798548	1							•Lock Washer		
11	VOE20450628	1							•Pin		
12	VOE20798554	5							•Bolt		
13	VOE20405634	1							Spring pin		
14	VOE20405724	4							Screw		
15	VOE20459155	1							Pulley		
16	VOE20459156	4							Screw		
17	VOE20527044	1							Flywheel		
18	VOE21033328	1							•Gear Ring		
19	VOE20405643	5							Plug		
20	VOE20405654	10							Bolt		
21		6							Piston Kit		See ref 213/100
22		1							V-ribbed Belt		See ref 263/100

Date: <b>2013/11/23</b>	Image id: <b>1051940</b>	Catalogue: <b>20431</b>	Model: <b>EC290B LC</b>
Brand: <b>Volvo</b>	Serial: <b>17001-, 35001-, 85001-</b>	Group/Section: <b>216/200</b>	Title: <b>Flywheel housing 8286030,8286031</b>

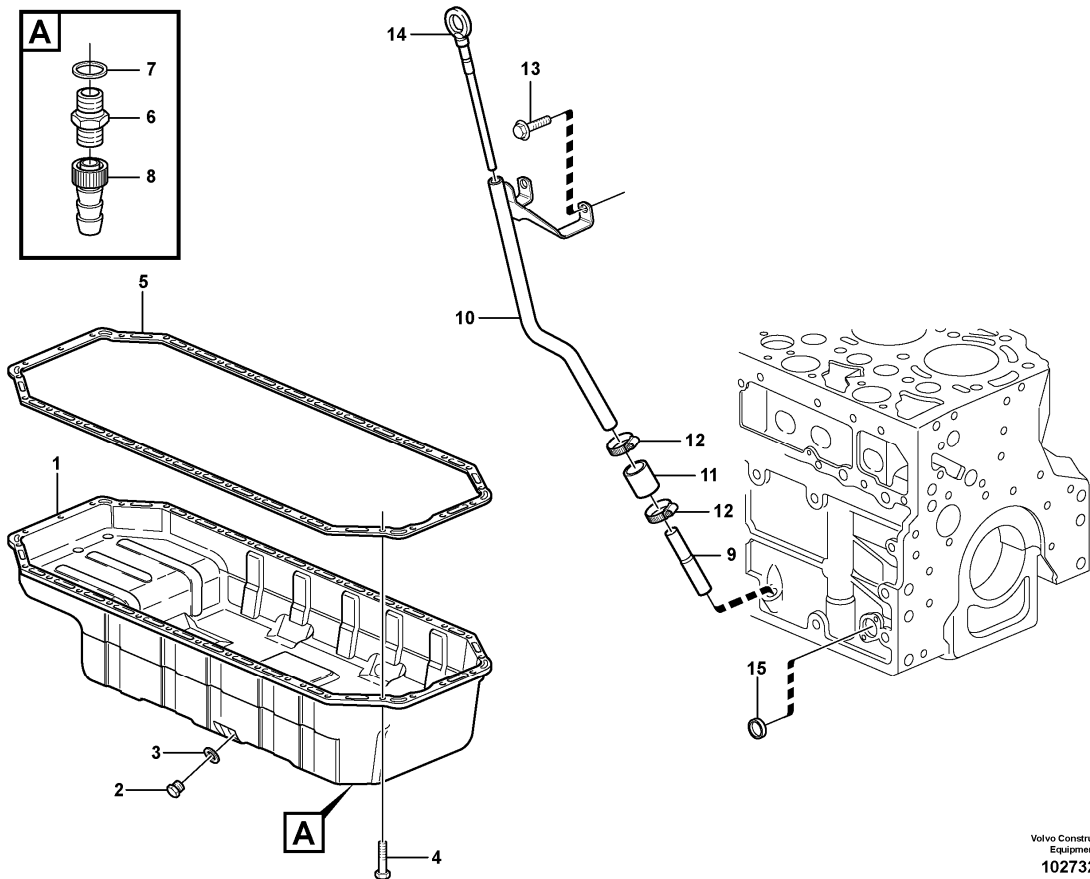


Volvo Construction  
Equipment  
1051940

Section option	Kit	Option description
VOE8286031		Engine with Epa label EMISSION CERTIFICATED FROM EU&EPA
VOE8286030		Engine without Epa label

Pos	Part	Q1	Q2	Q3	Q4	Q5	PS	Kit	Description	Option(s)	Remark
1	VOE20450790	1							Flywheel housing		
2	VOE20547288	1							Cover Plate		
3	VOE20459989	1							Cover		
4	VOE20405729	3							Screw		(VOE20544191)
5	VOE20405729	4							Screw		
6	VOE20585971	2							Bushing		
7	VOE20405710	2							Screw		
8	VOE20405714	1							Screw		
9	VOE20405715	2							Screw		
10	VOE20405713	1							Screw		

Date: <b>2013/11/23</b>	Image id: <b>1027325</b>	Catalogue: <b>20431</b>	Model: <b>EC290B LC</b>
Brand: <b>Volvo</b>	Serial: <b>17001-, 35001-, 85001-</b>	Group/Section: <b>217/100</b>	Title: <b>Oil sump 8286030,8286031</b>



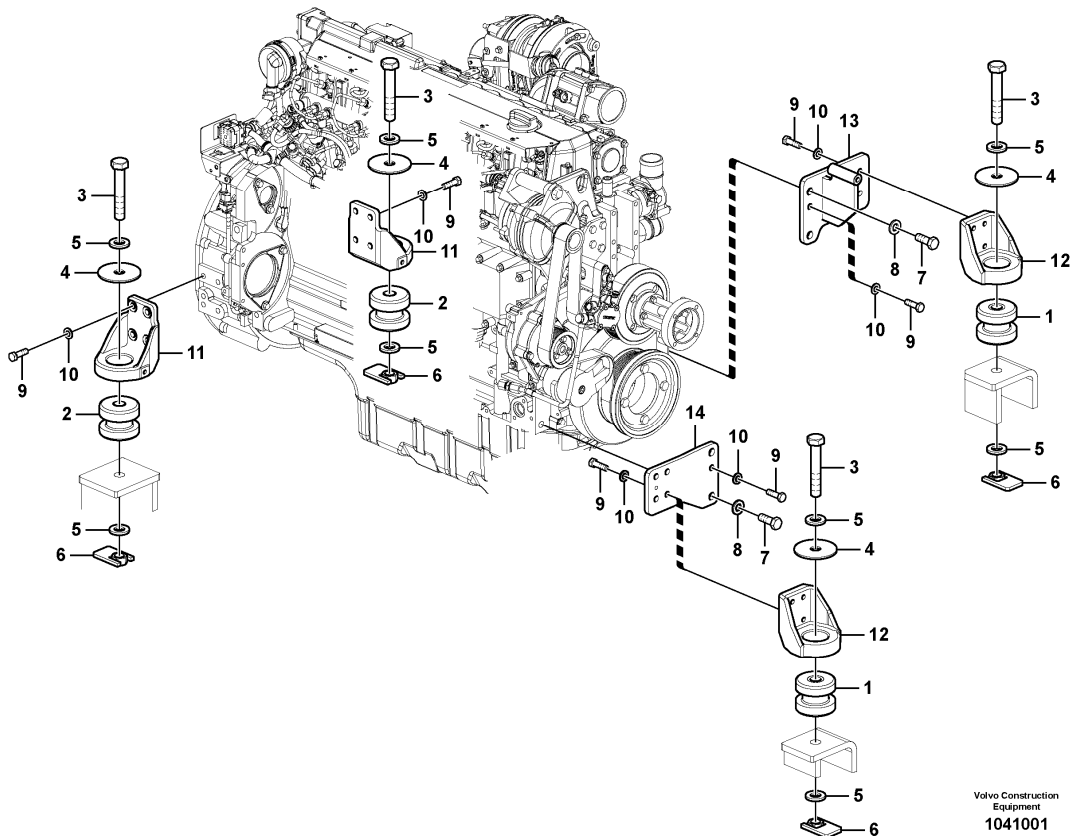
Volvo Construction  
Equipment  
1027325

Section option	Kit	Option description
VOE8286031		Engine with Epa label EMISSION CERTIFICATED FROM EU&EPA
VOE8286030		Engine without Epa label

Pos	Part	Q1	Q2	Q3	Q4	Q5	PS	Kit	Description	Option(s)	Remark
1	VOE20820918	1							Oil Pan		
2	VOE20460024	2							•Plug		
3	VOE993680	2							•Gasket		
4	VOE20405792	34							Screw		
5	VOE20405915	1							Gasket		
6	VOE20450851	1							Drain valve		
7	VOE993679	1							Gasket		
8	VOE20478246	1							Hose		
9	VOE20450869	1							Guide tube		
10	VOE21001185	1							Guide Tube		

11	VOE20450861	1							Sleeve		
12	VOE20405664	2							Clip		
13	VOE20405729	2							Screw		
14	VOE21184833	1							Dipstick		
15	VOE20412745	1							Core plug		

Date: <b>2013/11/23</b>	Image id: <b>1041001</b>	Catalogue: <b>20431</b>	Model: <b>EC290B LC</b>
Brand: <b>Volvo</b>	Serial: <b>17001-, 35001-, 85001-</b>	Group/Section: <b>218/100</b>	Title: <b>Engine mounting</b>



Section option	Kit	Option description
VOE8286029		Basic Machine EC290B

Q1-Q5	Option	Option description	
Q1 8286029	VOE8286029	Basic Machine EC290B	

Pos	Part	Q1	Q2	Q3	Q4	Q5	PS	Kit	Description	Option(s)	Remark
1	VOE14528380	2							Cushion		
2	VOE14528381	2							Cushion		
3	VOE992992	4							Screw		
4	VOE14526169	4							Plate		
5	VOE9211-22000	8							Lifting eye		
6	VOE14512933	4							Nut		
7	VOE978937	4							Hexagon screw		
8	VOE992045	4							Plain washer		





**Suggest:**

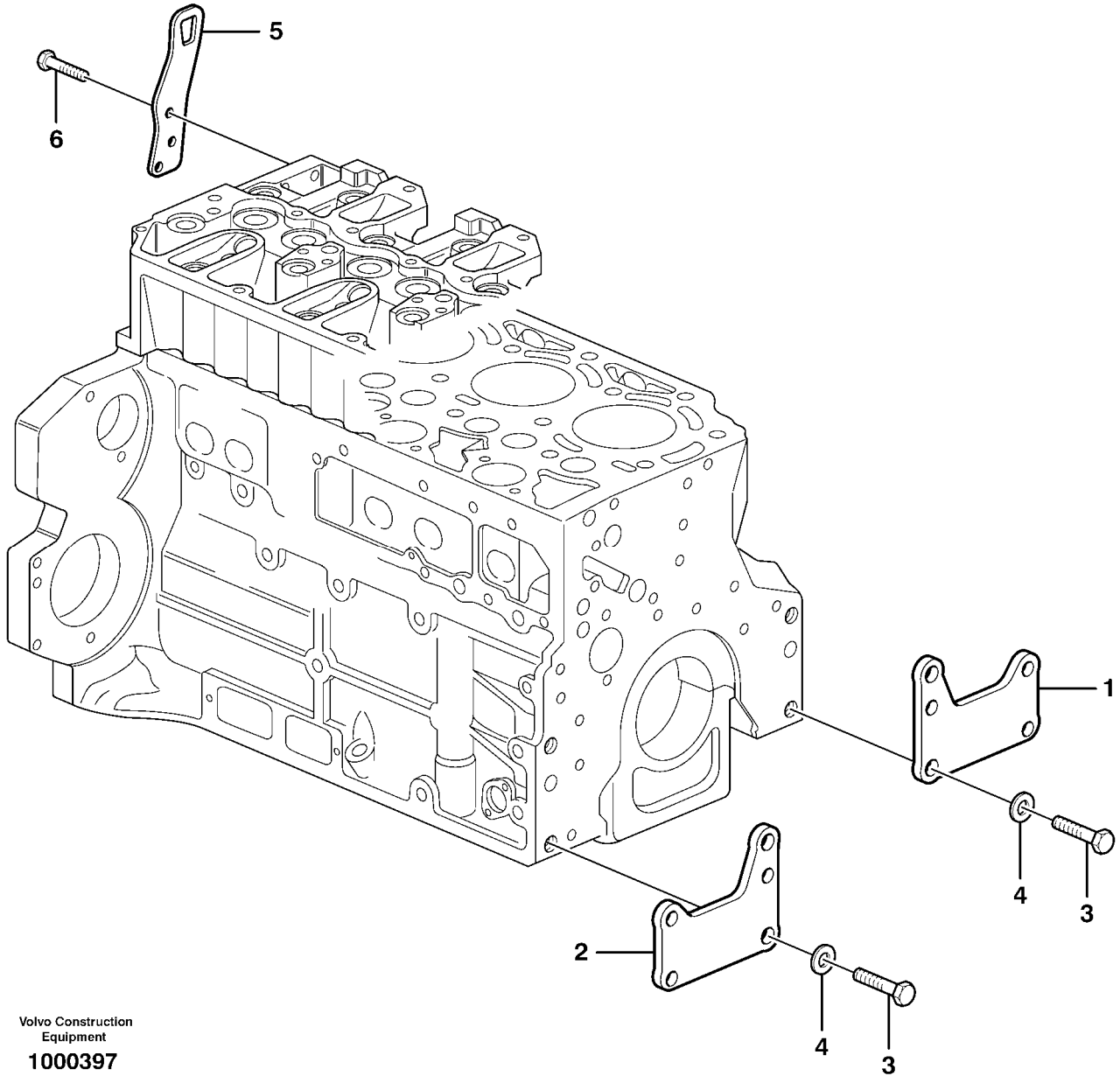
**For more complete manuals. Please go to the home page.**

**<https://www.ebooklibonline.com>**

**If the above button click is invalid. Please download this document first, and then click the above link to download the complete manual.**

**Thank you so much for reading**

Date: <b>2013/11/23</b>	Image id: <b>1000397</b>	Catalogue: <b>20431</b>	Model: <b>EC290B LC</b>
Brand: <b>Volvo</b>	Serial: <b>17001-, 35001-, 85001-</b>	Group/Section: <b>218/200</b>	Title: <b>Engine mounting 8286030,8286031</b>



Volvo Construction  
Equipment  
**1000397**

Section option	Kit	Option description
VOE8286031		Engine with Epa label EMISSION CERTIFICATED FROM EU&EPA
VOE8286030		Engine without Epa label

Pos	Part	Q1	Q2	Q3	Q4	Q5	PS	Kit	Description	Option(s)	Remark
1	VOE20723978	1							Bracket		
2	VOE20723984	1							Bracket		

3	VOE20535027	4						Screw		
4	VOE20405606	4						Washer		
5	VOE20450854	2					OP	Lifting eye		
6	VOE20450756	6						Screw		

**<https://www.ebooklibonline.com>**

Hello dear friend!

Thank you very much for reading.

Enter the link into your browser.

The full manual is available for immediate download.

**<https://www.ebooklibonline.com>**