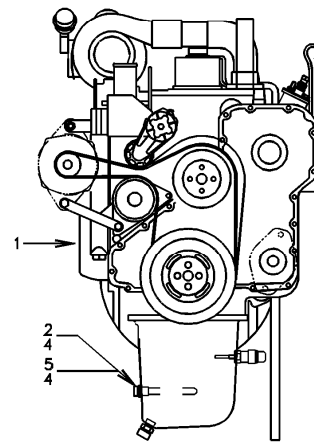
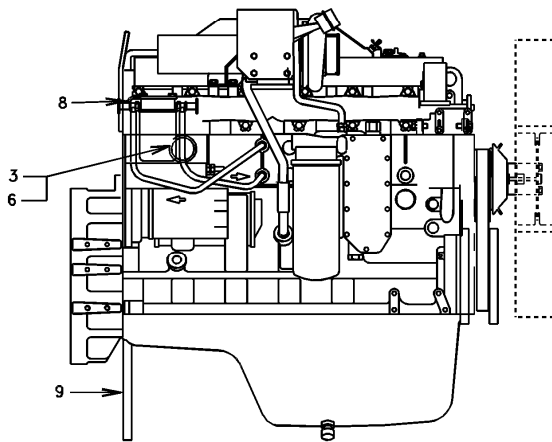
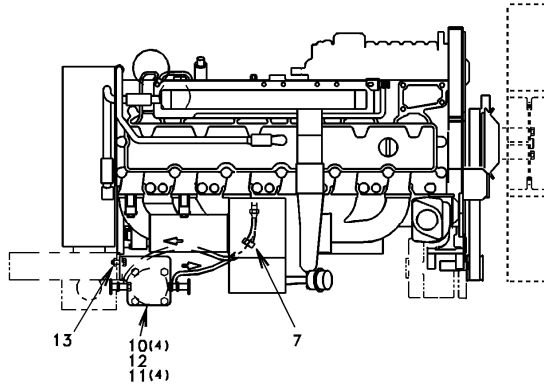


Date: 2013/11/20	Image id: SD101	Catalogue: 56121	Model: EC290
Brand: Volvo	Serial: 3001-9999	Group/Section: 210/100	Title: Engine



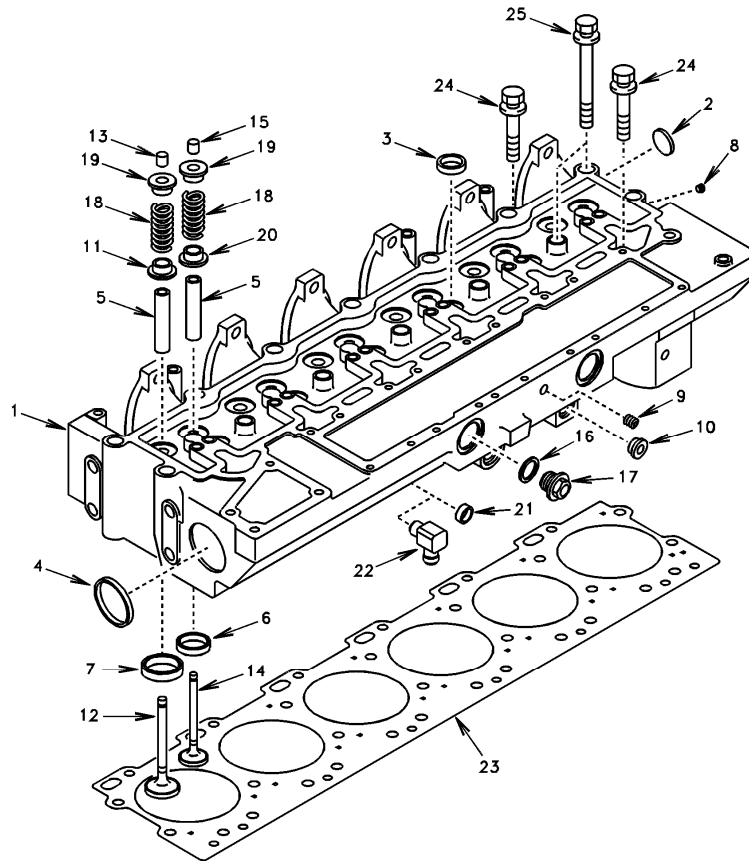
Section option	Kit	Option description
SADG04B001		Without air pre-heater for engine
SADG04B002		Air heater for engine
SADG04C001		Engine block heater 120V
SADG04C002		Engine block heater 240V

Q1-Q5	Option	Option description	
Q1 DG04B001 TROPIC	SADG04B001	Without air pre-heater for engine	
Q2 DG04B002 STD	SADG04B002	Air heater for engine	
Q3 DG04C001 ARCTIC	SADG04C001	Engine block heater 120V	
Q4 DG04C002 ARCTIC	SADG04C002	Engine block heater 240V	

Pos	Part	Q1	Q2	Q3	Q4	Q5	PS	Kit	Description	Option(s)	Remark
-----	------	----	----	----	----	----	----	-----	-------------	-----------	--------

1	SA1111-00704	1						Engine		TROPICAL
	SA1111-00143		1					Engine		STANDARD
2	SA2011-00450				1			Heater		240V
3	SA2011-00510				1			Heater		240V
4	SA9426-20080			1	1			Gasket		
5	SA2011-00460			1				Heater		120V
6	SA2011-00520			1				Heater		120V
7	SA9314-02100	2	2					Strip Clamp		
8	SA9312-10175	1	1					Clamp		
9	SA9952-26020	1	1					Hose		
10	SA1111-00171	1	1					Bracket		SER NO 3001-3337
	SA14507205	1	1				NS	Bracket		SER NO 3338-
11	SA9213-10000	6	6				SS	Spring Washer		SER NO 3001-3236
	SA9213-10000	2	2				SS	Spring Washer		SER NO 3237-
12	SA9081-11607	4	4					Bolt		SER NO 3001-3236
13	SA9011-11006	1	1				SS	Bolt		

Date: 2013/11/20	Image id: SD102	Catalogue: 56121	Model: EC290
Brand: Volvo	Serial: 3001-9999	Group/Section: 211/100	Title: Cylinder head



Volvo Construction
Equipment Group
SD102

Section option	Kit	Option description
SADG04B001		Without air pre-heater for engine
SADG04B002		Air heater for engine

Q1-Q5	Option	Option description	
Q1 DG04B001 TROPIC	SADG04B001	Without air pre-heater for engine	
Q2 DG04B002 STD	SADG04B002	Air heater for engine	

Pos	Part	Q1	Q2	Q3	Q4	Q5	PS	Kit	Description	Option(s)	Remark
1	SA3802465	1	1						Head		
2	SA3920443	1	1						•Plug		
3	SA3032693	5	5						•Plug		
4	SA3922072	2	2						•Plug		
5	SA3925863	12	12						•Guide		

<https://www.ebooklibonline.com>

Hello dear friend!

Thank you very much for reading.

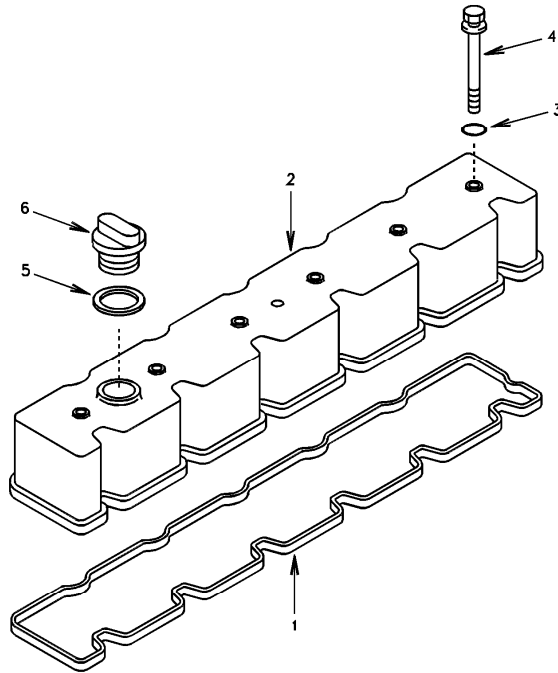
Enter the link into your browser.

The full manual is available for immediate download.

<https://www.ebooklibonline.com>

6	SA3928174	6	6						•Valve		OUTLET
7	SA3924582	6	6						•Insert		INLET
8	SA3008464	1	1						•Plug		
9	SA3008466	1	1						•Plug		
10	SA3008468	1	1						•Tube plug		
11	SA3915707	6	6						•Sealing		INLET
12	SA3802463	6	6						•Valve		INLET
	SA3924492	6	6				SS		••Valve		
13	SA3901177	12	12						••Collet		
14	SA3802085	6	6						•Valve		OUTLET
	SA3921444	6	6				SS		••Valve		
15	SA3901177	12	12						••Collet		
16	SA3902425	2	2						•Washer		
17	SA3924148	2	2						•Plug		
18	SA3906412	12	12						•Spring		
19	SA3912976	12	12						•Retainer		
20	SA3919038	6	6						•Sealing		OUTLET
21	SA3912900	1	1						•Plug		
22	SA3924138	1	1						•Clutch		
23	SA3931019	1	1						Gasket		
24	SA3917729	12	12						Cylinder bolt		
25	SA3917728	14	14						Bolt		

Date: 2013/11/20	Image id: SD103	Catalogue: 56121	Model: EC290
Brand: Volvo	Serial: 3001-9999	Group/Section: 211/200	Title: Valve cover



Volvo Construction
Equipment Group
SD103

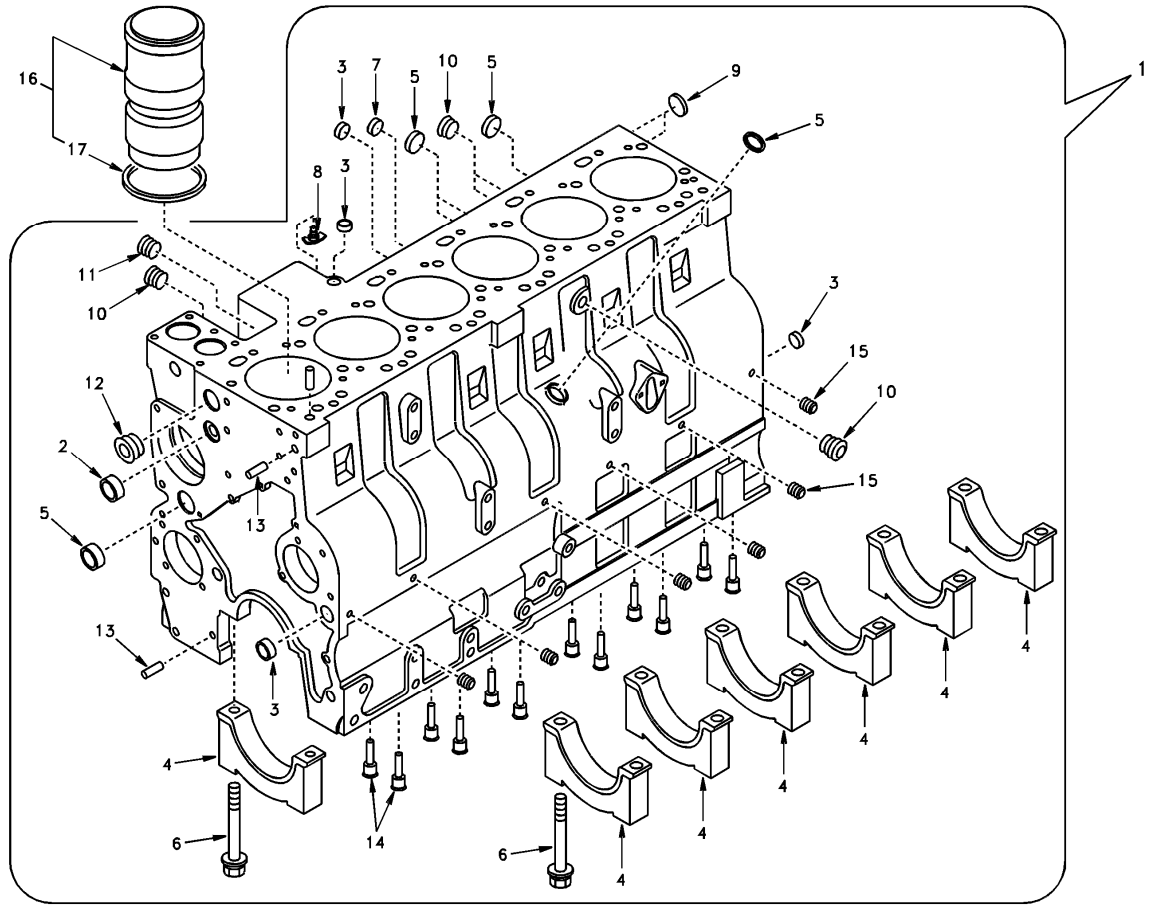
Section option	Kit	Option description
SADG04B001		Without air pre-heater for engine
SADG04B002		Air heater for engine

Q1-Q5	Option	Option description	
Q1 DG04B001 TROPIC	SADG04B001	Without air pre-heater for engine	
Q2 DG04B002 STD	SADG04B002	Air heater for engine	

Pos	Part	Q1	Q2	Q3	Q4	Q5	PS	Kit	Description	Option(s)	Remark
1	VOE11716080	1	1						Sealing		(SA3905449)
2	SA3928771	1	1						Cover		
3	SA3910824	6	6						O-ring		
4	SA3922639	6	6						Screw		
5	SA3902466	1	1						Sealing		

6	SA3902468	1	1					Filler cap		
---	-----------	---	---	--	--	--	--	------------	--	--

Date: 2013/11/20	Image id: SD104A	Catalogue: 56121	Model: EC290
Brand: Volvo	Serial: 3001-9999	Group/Section: 212/100	Title: Cylinder block



Volvo Construction
Equipment Group
SD104A

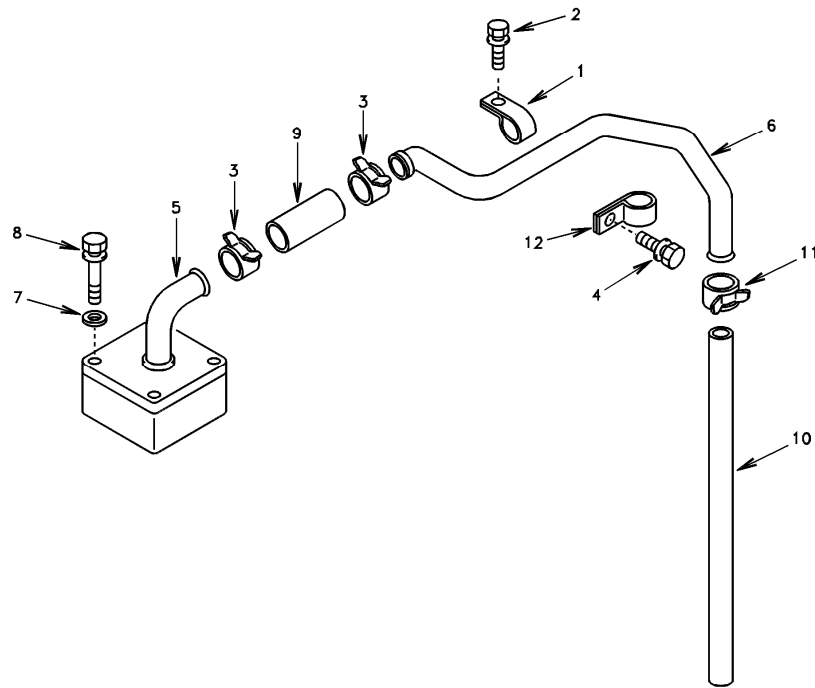
Section option	Kit	Option description
SADG04B001		Without air pre-heater for engine
SADG04B002		Air heater for engine

Q1-Q5	Option	Option description	
Q1 DG04B001 TROPIC	SADG04B001	Without air pre-heater for engine	
Q2 DG04B002 STD	SADG04B002	Air heater for engine	

Pos	Part	Q1	Q2	Q3	Q4	Q5	PS	Kit	Description	Option(s)	Remark
1	SA3934902	1	1				SS		Block		SS 3934906
2	SA143066	1	1						•Plug		
3	SA3004258	4	4						•Plastic plug		
4	SA3917313	7	7						•Cap		
5	SA3905401	4	4						•Plug		

6	SA3916369	14	14						•Screw		
7	SA3812090	1	1				SS		•Plug		
8	SAS-923-E	1	1				SS		•Shut-off Cock		SS S923E
9	SA3920706	2	2						•Expansion plug		
10	SA3008468	4	4						•Tube plug		
11	SA3008469	1	1						•Plug		
12	SA3008470	1	1						•Plug		
13	SA3900257	2	2						•Locating pin		
14	SA3928031	12	12						•Nozzle		
15	SA3906619	6	6						•Plug		
16	SA3944344	6	6				SS		Liner		SS 3800328
17	SA3907177	1	1				SS		•Seal		

Date: 2013/11/20	Image id: SD105	Catalogue: 56121	Model: EC290
Brand: Volvo	Serial: 3001-9999	Group/Section: 212/200	Title: Crankcase ventilation



Volvo Construction
Equipment Group
SD105

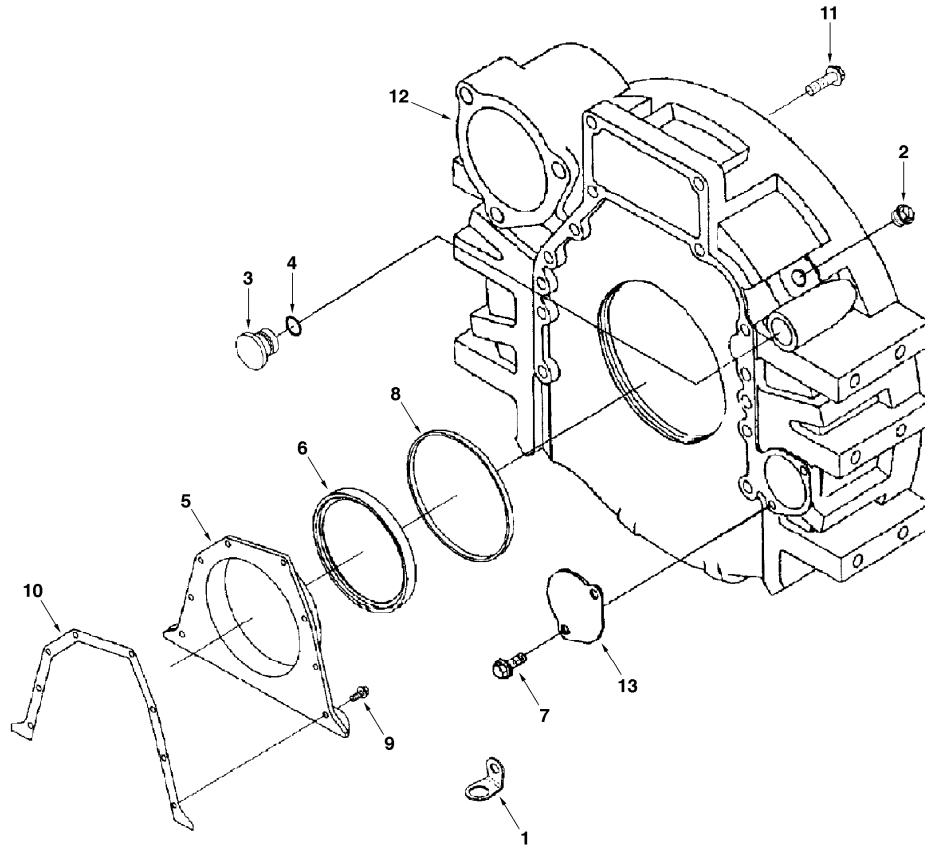
Section option	Kit	Option description
SADG04B001		Without air pre-heater for engine
SADG04B002		Air heater for engine

Q1-Q5	Option	Option description	
Q1 DG04B001 TROPIC	SADG04B001	Without air pre-heater for engine	
Q2 DG04B002 STD	SADG04B002	Air heater for engine	

Pos	Part	Q1	Q2	Q3	Q4	Q5	PS	Kit	Description	Option(s)	Remark
1	SA3018309	1	1						Clip		
2	SA3912072	1	1						Screw		
3	SA3925089	2	2						Clamp		
4	SA3901249	1	1						Screw		
5	SA3928772	1	1						Breather		

6	SA3930255	1	1						Pipe		
7	SA3930247	4	4						Washer		
8	SA3930248	4	4						Screw		
9	SA3930309	1	1						Hose		
10	SA9952-26020	1	1						Hose		
11	SA9312-10175	1	1						Clamp		
12	SA107460	1	1						Clip		

Date: 2013/11/20	Image id: SD106	Catalogue: 56121	Model: EC290
Brand: Volvo	Serial: 3001-9999	Group/Section: 212/300	Title: Flywheel housing

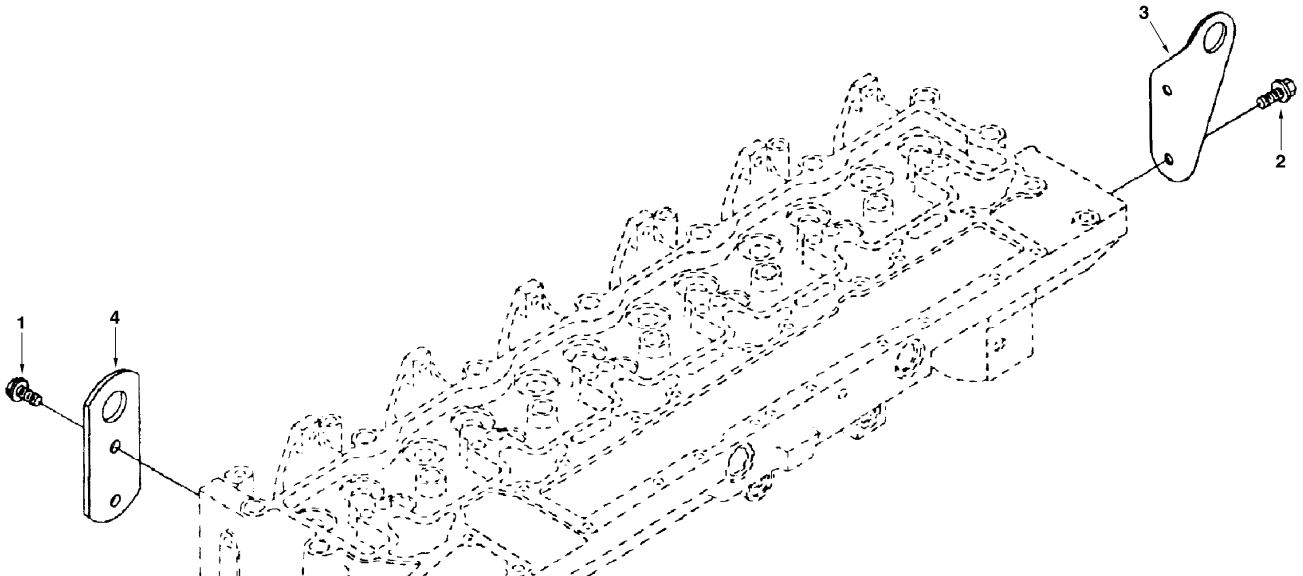


Q1-Q5	Option	Option description	
Q1 DG04B001 TROPIC	SADG04B001	Without air pre-heater for engine	
Q2 DG04B002 STD	SADG04B002	Air heater for engine	

Pos	Part	Q1	Q2	Q3	Q4	Q5	PS	Kit	Description	Option(s)	Remark
1	SA3928989	1	1						Clip		
2	SA3904181	1	1						Plug		
3	SA3910248	1	1						Plug		
4	SA3910260	1	1						Seal		
5	SA3933384	1	1						Cover		
6	SA3933262	1	1				SS		Seal		
7	SA3912072	2	2						Screw		
8	SA3912473	1	1				SS		Seal		
9	SA3913638	8	8						Screw		

10	SA3914301	1	1						Gasket		
11	SA3920447	12	12						Screw		
12	SA3908799	1	1						Flywheel Hsg		
13	SA3925234	1	1						Plate		

Date: 2013/11/20	Image id: SD107	Catalogue: 56121	Model: EC290
Brand: Volvo	Serial: 3001-9999	Group/Section: 212/500	Title: Lifting eye



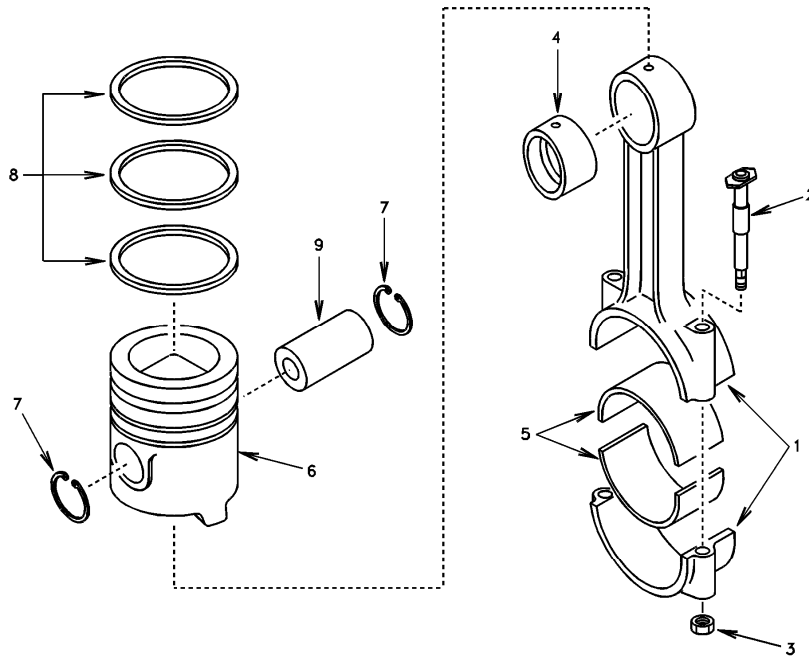
Volvo Construction
Equipment Group
SD107

Section option	Kit	Option description
SADG04B001		Without air pre-heater for engine
SADG04B002		Air heater for engine

Q1-Q5	Option	Option description	
Q1 DG04B001 TROPIC	SADG04B001	Without air pre-heater for engine	
Q2 DG04B002 STD	SADG04B002	Air heater for engine	

Pos	Part	Q1	Q2	Q3	Q4	Q5	PS	Kit	Description	Option(s)	Remark
1	SA3901249	2	2						Screw		
2	SA3903200	2	2						Screw		
3	SA1111-00561	1	1						Bracket		
4	SA3907861	1	1						Bracket		

Date: 2013/11/20	Image id: SD108	Catalogue: 56121	Model: EC290
Brand: Volvo	Serial: 3001-9999	Group/Section: 213/100	Title: Connecting rod and piston



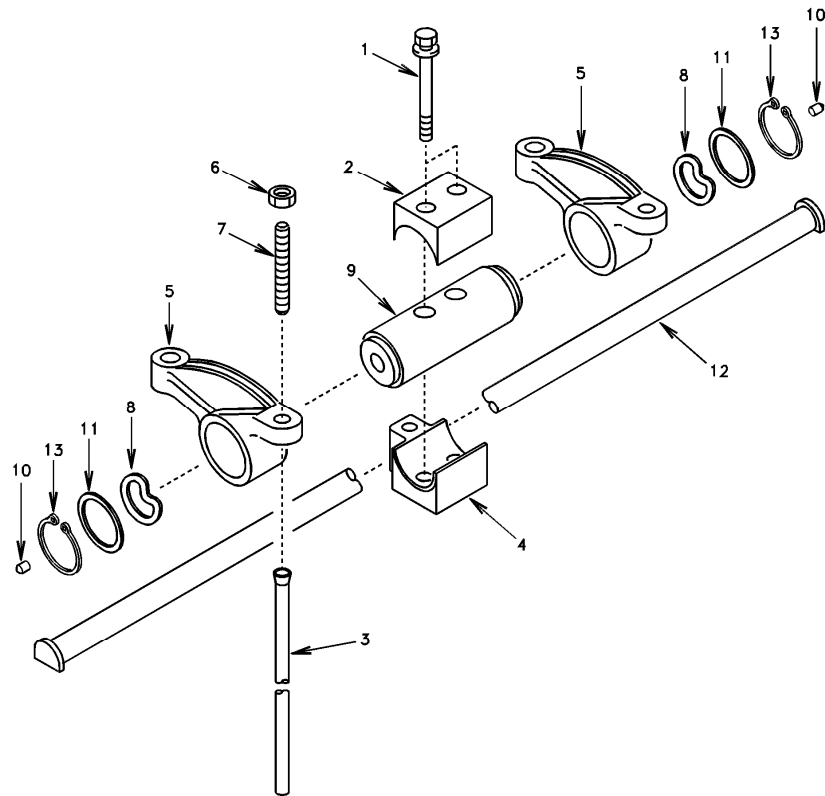
Volvo Construction
Equipment Group
SD108

Section option	Kit	Option description
SADG04B001		Without air pre-heater for engine
SADG04B002		Air heater for engine

Q1-Q5	Option	Option description	
Q1 DG04B001 TROPIC	SADG04B001	Without air pre-heater for engine	
Q2 DG04B002 STD	SADG04B002	Air heater for engine	

Pos	Part	Q1	Q2	Q3	Q4	Q5	PS	Kit	Description	Option(s)	Remark
	SA3901383	6	6						Connecting Rod		
1	SA3924350	1	1				SS		•Connecting Rod		
2	SA3928870	2	2						•Bolt		
3	SA3934864	2	2						•Nut		
4	SA3913990	1	1						•Bushing		

Date: 2013/11/20	Image id: SD109	Catalogue: 56121	Model: EC290
Brand: Volvo	Serial: 3001-9999	Group/Section: 214/200	Title: Rocker arm



Volvo Construction
Equipment Group
SD109

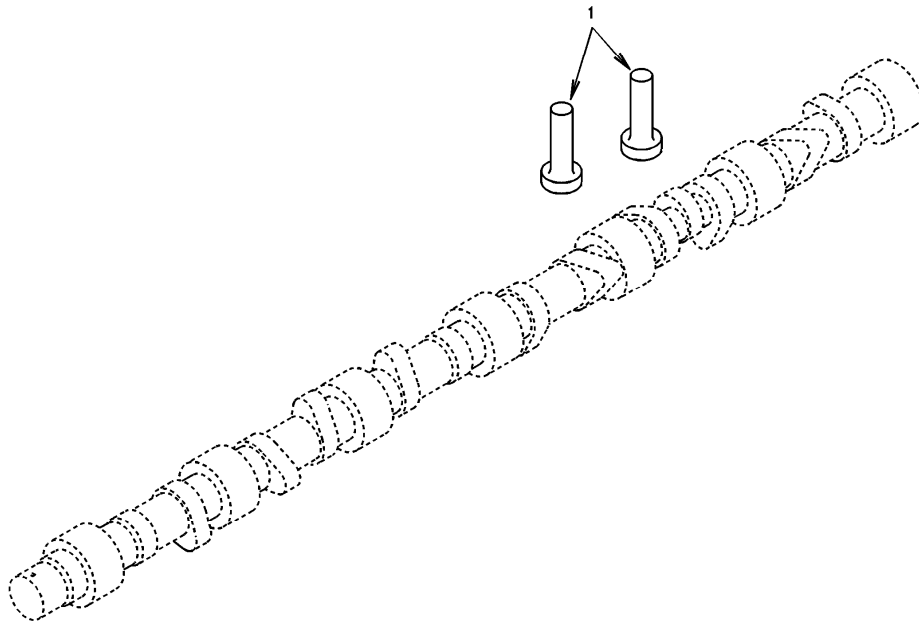
Section option	Kit	Option description
SADG04B001		Without air pre-heater for engine
SADG04B002		Air heater for engine

Q1-Q5	Option	Option description	
Q1 DG04B001 TROPIC	SADG04B001	Without air pre-heater for engine	
Q2 DG04B002 STD	SADG04B002	Air heater for engine	

Pos	Part	Q1	Q2	Q3	Q4	Q5	PS	Kit	Description	Option(s)	Remark
1	SA3901617	12	12						Screw		
2	SA3901693	6	6						Clamp		
3	SA3905194	12	12						Rod		
4	SA3905870	6	6						Support		
5	SA3901717	12	12						Lever		

6	SA203131	1	1						•Nut		
7	SA3900706	1	1				SS		•Screw		
	SA3934086	1	1						Screw		
8	SA3906100	12	12						Washer		
9	SA3919435	6	6						Shaft		
10	SA3919434	2	2						•Rivet		
11	SA3907206	12	12						Washer		
12	SA3919677	1	1						Manifold		
13	SA3901764	12	12						Ring		

Date: 2013/11/20	Image id: SD110	Catalogue: 56121	Model: EC290
Brand: Volvo	Serial: 3001-9999	Group/Section: 214/300	Title: Valve tappet



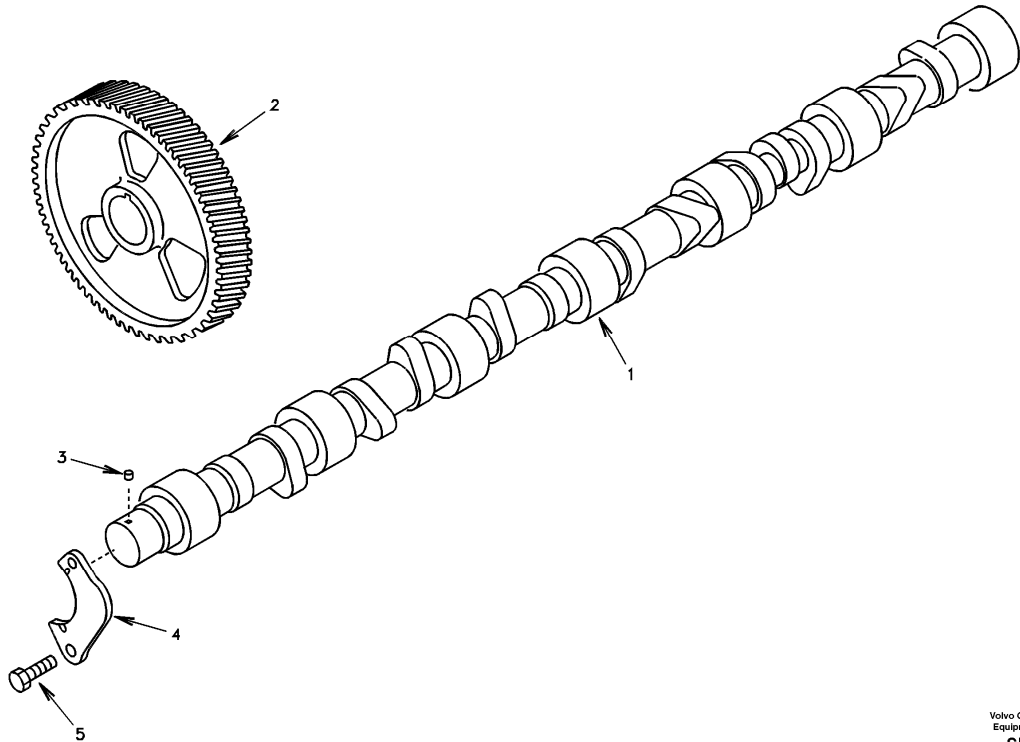
Volvo Construction
Equipment Group
SD110

Section option	Kit	Option description
SADG04B001		Without air pre-heater for engine
SADG04B002		Air heater for engine

Q1-Q5	Option	Option description	
Q1 DG04B001 TROPIC	SADG04B001	Without air pre-heater for engine	
Q2 DG04B002 STD	SADG04B002	Air heater for engine	

Pos	Part	Q1	Q2	Q3	Q4	Q5	PS	Kit	Description	Option(s)	Remark
1	SA3931623	12	12						Tappet		

Date: 2013/11/20	Image id: SD111	Catalogue: 56121	Model: EC290
Brand: Volvo	Serial: 3001-9999	Group/Section: 215/100	Title: Camshaft



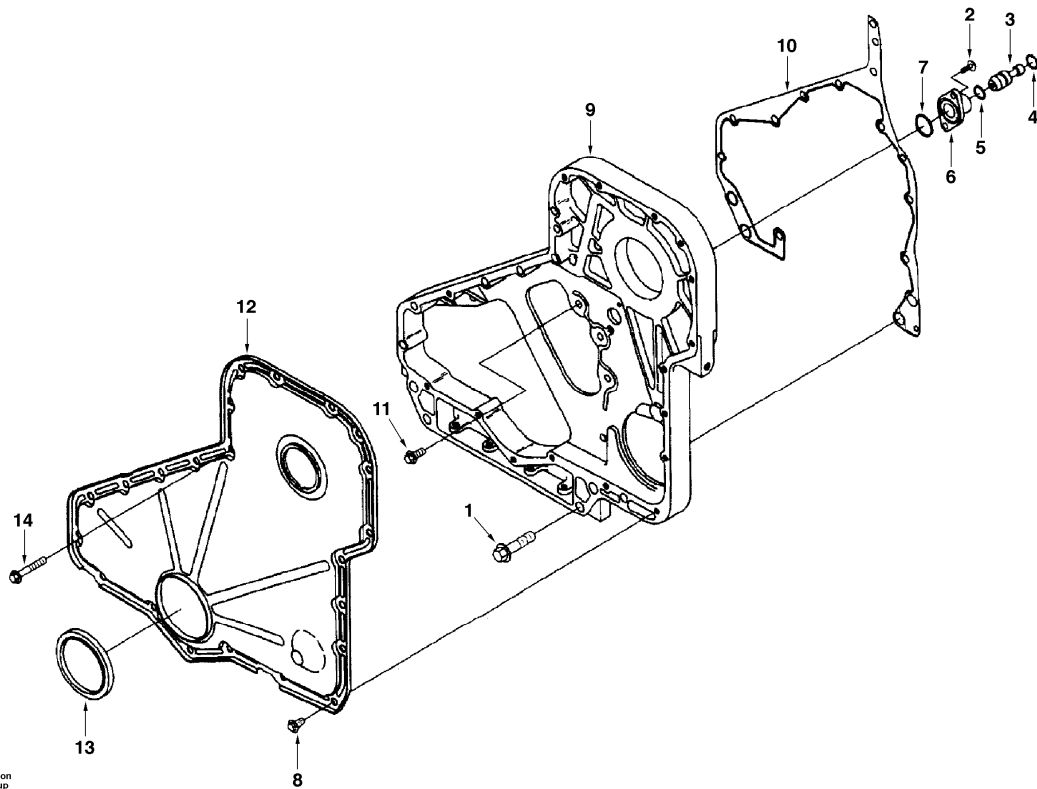
Volvo Construction
Equipment Group
SD111

Section option	Kit	Option description
SADG04B001		Without air pre-heater for engine
SADG04B002		Air heater for engine

Q1-Q5	Option	Option description	
Q1 DG04B001 TROPIC	SADG04B001	Without air pre-heater for engine	
Q2 DG04B002 STD	SADG04B002	Air heater for engine	

Pos	Part	Q1	Q2	Q3	Q4	Q5	PS	Kit	Description	Option(s)	Remark
1	SA3924471	1	1						Camshaft		
2	SA3918777	1	1						Gear		
3	SA3902332	1	1						Key		
4	SA3927155	1	1						Support		
5	SA3900227	2	2						Screw		

Date: 2013/11/20	Image id: SD112	Catalogue: 56121	Model: EC290
Brand: Volvo	Serial: 3001-9999	Group/Section: 215/200	Title: Timing gear casing



Volvo Construction
Equipment Group
SD112

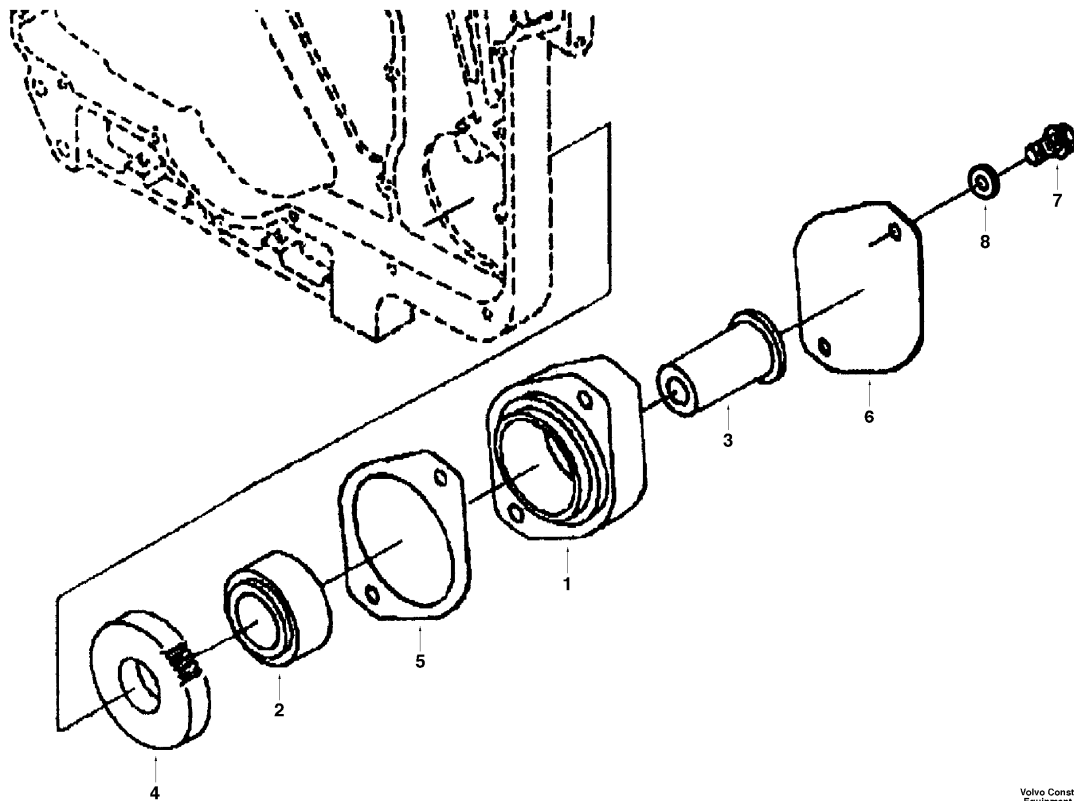
Section option	Kit	Option description
SADG04B001		Without air pre-heater for engine
SADG04B002		Air heater for engine

Q1-Q5	Option	Option description	
Q1 DG04B001 TROPIC	SADG04B001	Without air pre-heater for engine	
Q2 DG04B002 STD	SADG04B002	Air heater for engine	

Pos	Part	Q1	Q2	Q3	Q4	Q5	PS	Kit	Description	Option(s)	Remark
1	SA3902116	4	4						Screw		
2	SA3907998	2	2						Screw		
3	SA3903924	1	1						Pin		
4	SA3904849	1	1						Ring		
5	SA3913994	1	1						Seal		

6	SA3919683	1	1						Cover		
7	SA3915772	1	1				SS		Seal		
8	SA3925883	16	16						Bolt		
9	SA3926721	1	1						Housing		
10	SA3929253	1	1						Gasket		
11	SA3926846	5	5						Screw		
12	SA3926847	1	1						Cover		
13	SA3353977	1	1						Seal		
14	SA3926863	6	6						Screw		

Date: 2013/11/20	Image id: SD113	Catalogue: 56121	Model: EC290
Brand: Volvo	Serial: 3001-9999	Group/Section: 215/300	Title: Pump drive power take-off



Volvo Construction
Equipment Group
SD113

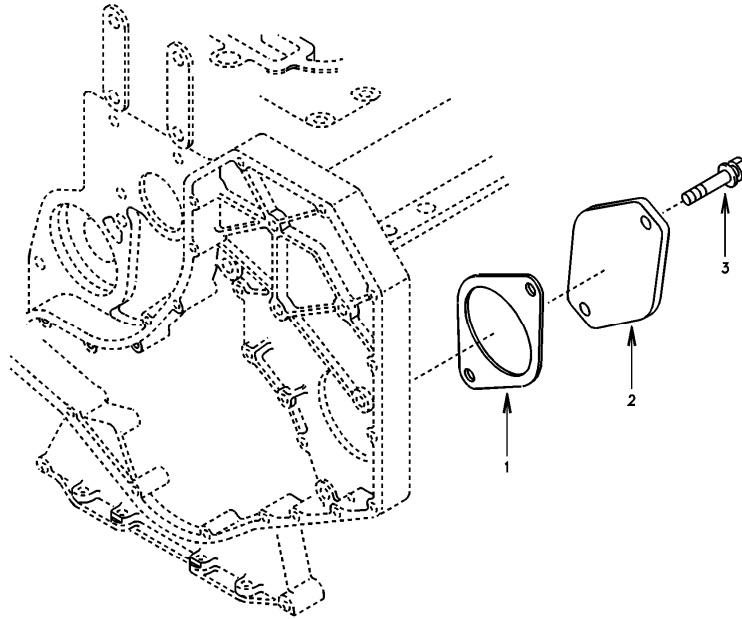
Section option	Kit	Option description
SADG18B001		Leak-off line for slope-rotator on basic machine

Q1-Q5	Option	Option description	
Q1 OPT	DG18B001 SADG18B001	Leak-off line for slope-rotator on basic machine	

Pos	Part	Q1	Q2	Q3	Q4	Q5	PS	Kit	Description	Option(s)	Remark
	SA3924882	1							Drive Unit		
1	SA3931088	1					SS		•Adapter		
2	SA3902601	1							•Roller bearing		
3	SA3923242	1							•Shaft		
4	SA3902595	1							•Gear		
5	SA3913287	1							Gasket		
6	SA3914868	1							Plate		
7	SA9011-21213	2							Bolt		

8	SA9213-12000	2						Spring Washer		
---	--------------	---	--	--	--	--	--	---------------	--	--

Date: 2013/11/20	Image id: SD114	Catalogue: 56121	Model: EC290
Brand: Volvo	Serial: 3001-9999	Group/Section: 215/400	Title: Power take-off cover



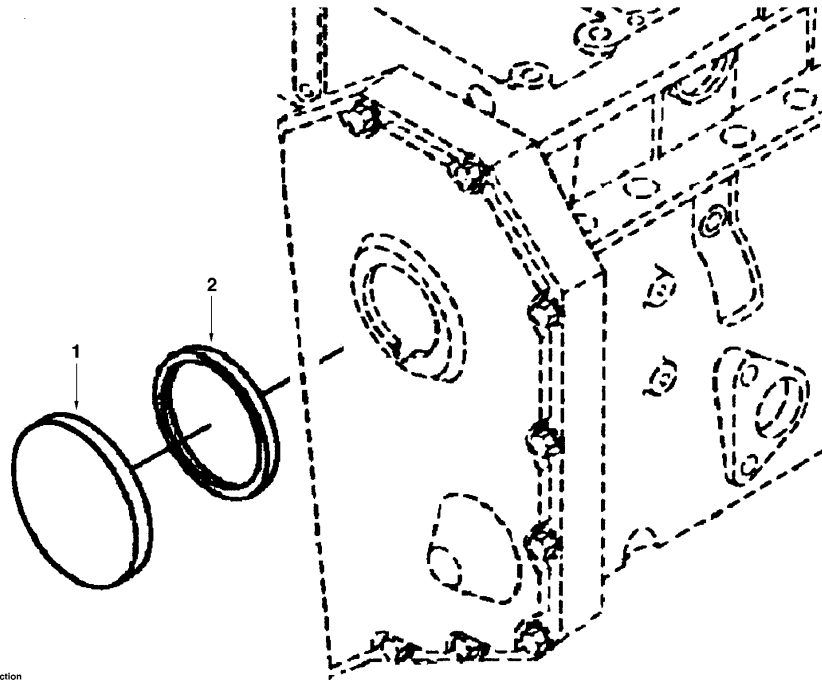
Volvo Construction
Equipment Group
SD114

Section option	Kit	Option description
SADG04B001		Without air pre-heater for engine
SADG04B002		Air heater for engine

Q1-Q5	Option	Option description	
Q1 DG04B001 TROPIC	SADG04B001	Without air pre-heater for engine	
Q2 DG04B002 STD	SADG04B002	Air heater for engine	

Pos	Part	Q1	Q2	Q3	Q4	Q5	PS	Kit	Description	Option(s)	Remark
1	SA3931608	1	1						Gasket		
2	SA3914868	1	1						Plate		
3	SA3901249	2	2						Screw		

Date: 2013/11/20	Image id: SD115	Catalogue: 56121	Model: EC290
Brand: Volvo	Serial: 3001-9999	Group/Section: 215/500	Title: Tachometer drive cover



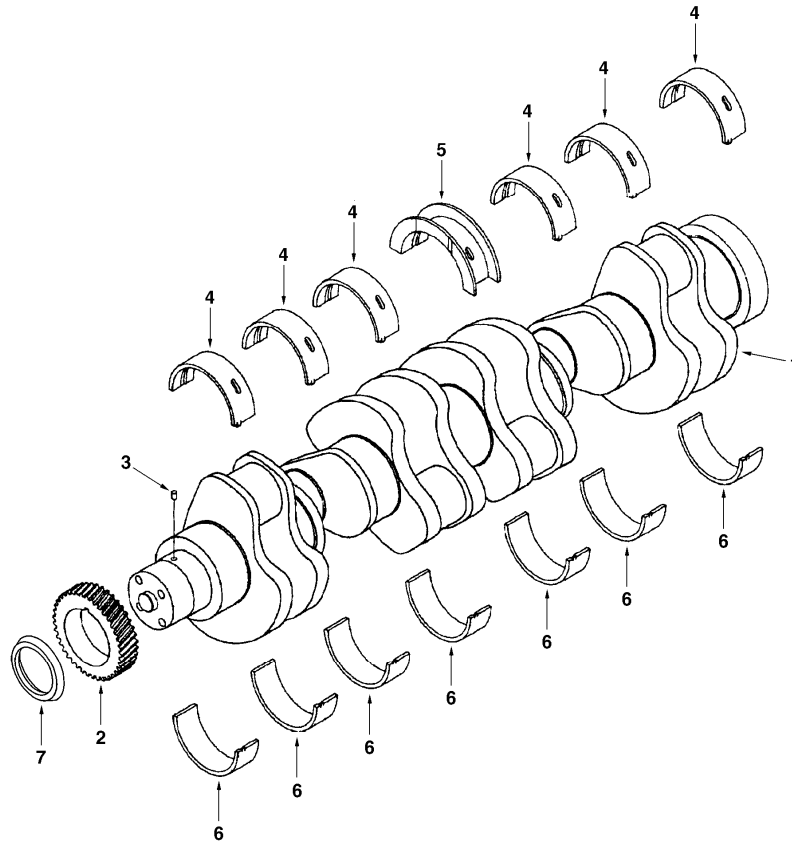
Volvo Construction
Equipment Group
SD115

Section option	Kit	Option description
SADG04B001		Without air pre-heater for engine
SADG04B002		Air heater for engine

Q1-Q5	Option	Option description	
Q1 DG04B001 TROPIC	SADG04B001	Without air pre-heater for engine	
Q2 DG04B002 STD	SADG04B002	Air heater for engine	

Pos	Part	Q1	Q2	Q3	Q4	Q5	PS	Kit	Description	Option(s)	Remark
1	SA3903463	1	1						Cover		
2	SA3903475	1	1				SS		Seal		

Date: 2013/11/20	Image id: SD116	Catalogue: 56121	Model: EC290
Brand: Volvo	Serial: 3001-9999	Group/Section: 216/100	Title: Crankshaft



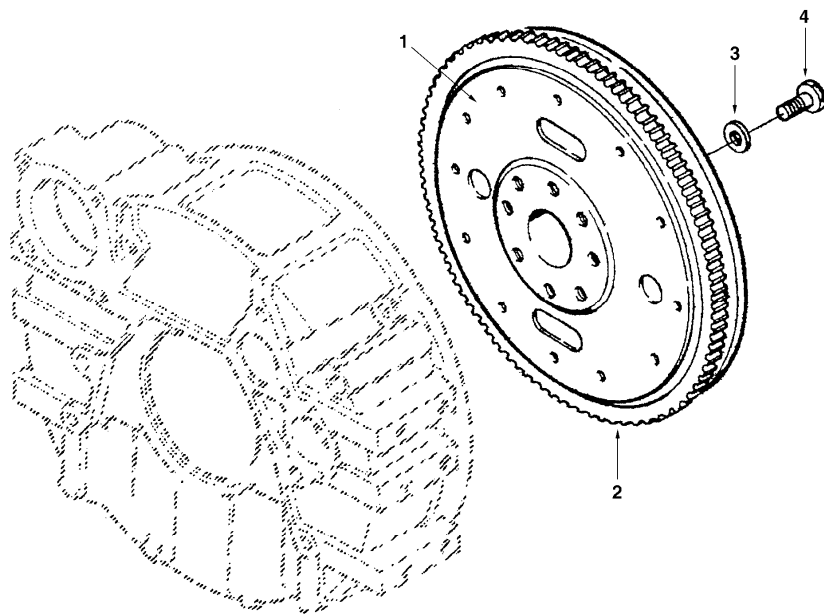
Section option	Kit	Option description
SADG04B001		Without air pre-heater for engine
SADG04B002		Air heater for engine

Q1-Q5	Option	Option description	
Q1 DG04B001 TROPIC	SADG04B001	Without air pre-heater for engine	
Q2 DG04B002 STD	SADG04B002	Air heater for engine	

Pos	Part	Q1	Q2	Q3	Q4	Q5	PS	Kit	Description	Option(s)	Remark
	SA3918986	1	1						Crankshaft		
1	SA3917320	1	1				SS		•Crankshaft		
2	SA3918776	1	1						•Gear		
3	SA3904483	1	1						•Locating pin		
	SA3802210	1	1				SS		Bearing		

4	SA3916840	6	6				SS		•Bearing		
5	SA3944163	1	1						•Bearing		(SA3922780)
6	SA3901590	7	7				SS		•Bearing		
7	SA3918113	1	1				SS		Seal		SS J918113

Date: 2013/11/20	Image id: SD117A	Catalogue: 56121	Model: EC290
Brand: Volvo	Serial: 3001-9999	Group/Section: 216/200	Title: Flywheel

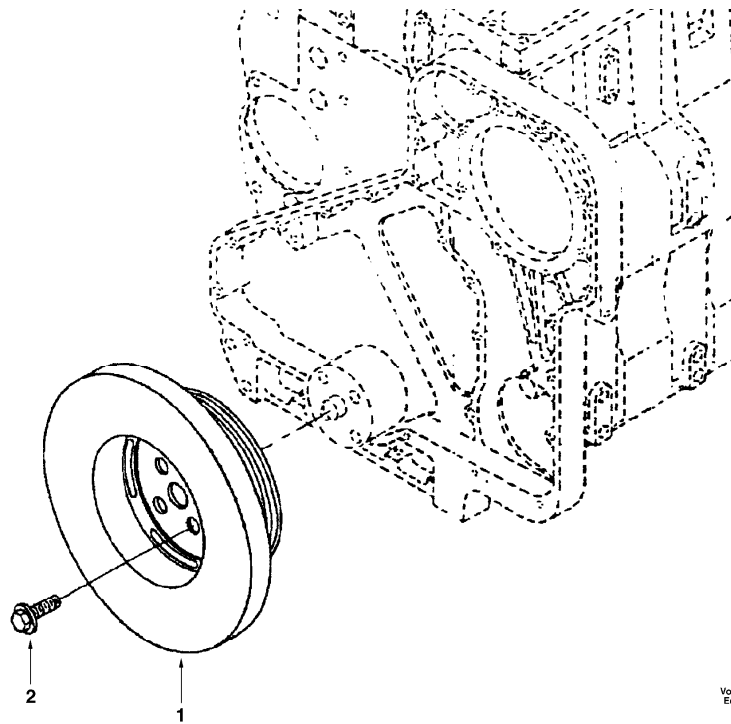


Volvo Construction
Equipment Group
SD117A

Q1-Q5	Option	Option description	
Q1 DG04B001 TROPIC	SADG04B001	Without air pre-heater for engine	
Q2 DG04B002 STD	SADG04B002	Air heater for engine	

Pos	Part	Q1	Q2	Q3	Q4	Q5	PS	Kit	Description	Option(s)	Remark
	SA3283903	1	1						Flywheel		
1	SA3283902	1	1				NS		•Flywheel		
2	SA3905427	1	1						•Gear		
3	SA3900269	8	8						Washer		
4	SA3901395	8	8						Screw		

Date: 2013/11/20	Image id: SD118	Catalogue: 56121	Model: EC290
Brand: Volvo	Serial: 3001-9999	Group/Section: 216/300	Title: Vibration damper

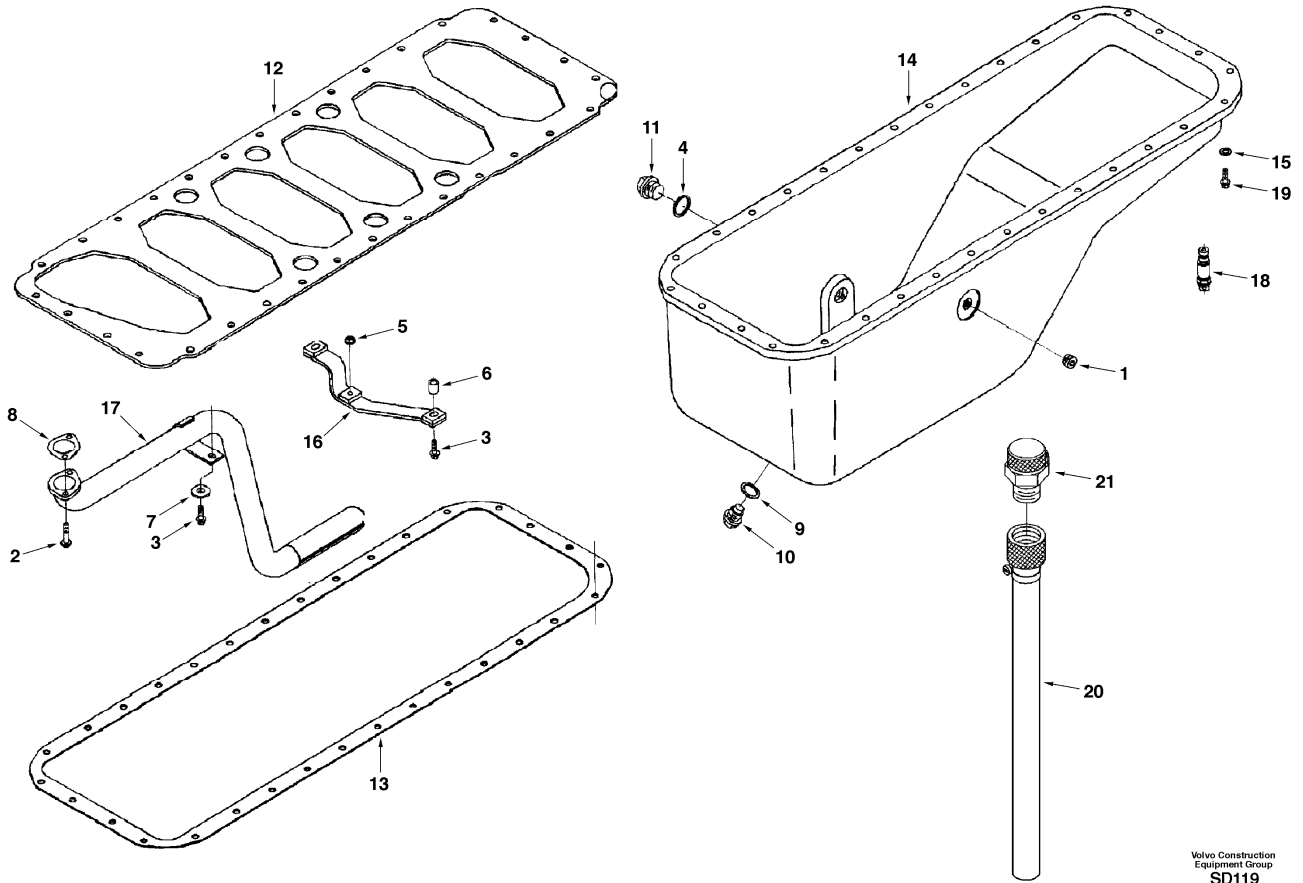


Section option	Kit	Option description
SADG04B001		Without air pre-heater for engine
SADG04B002		Air heater for engine

Q1-Q5	Option	Option description	
Q1 DG04B001 TROPIC	SADG04B001	Without air pre-heater for engine	
Q2 DG04B002 STD	SADG04B002	Air heater for engine	

Pos	Part	Q1	Q2	Q3	Q4	Q5	PS	Kit	Description	Option(s)	Remark
1	SA3925570	1	1						Damper		
2	SA3906733	4	4						Screw		

Date: 2013/11/20	Image id: SD119	Catalogue: 56121	Model: EC290
Brand: Volvo	Serial: 3001-9999	Group/Section: 217/100	Title: Oil sump



Volvo Construction
Equipment Group
SD119

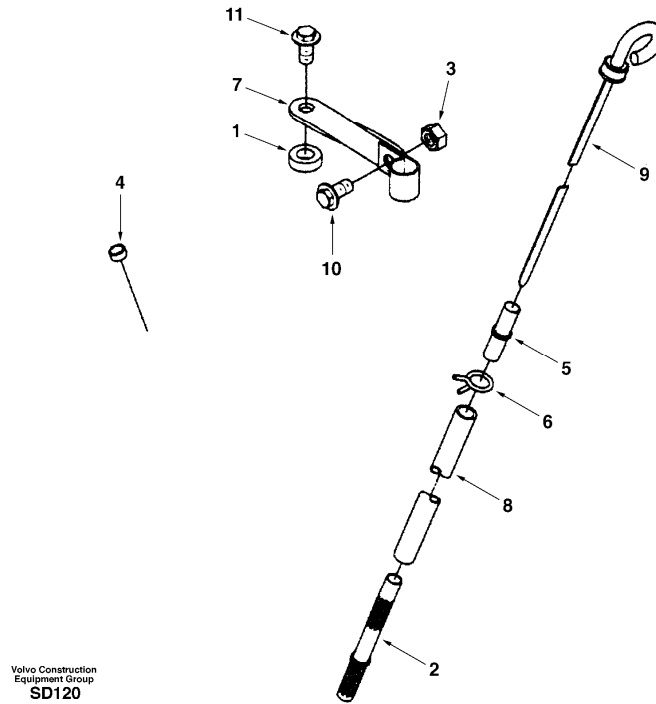
Section option	Kit	Option description
SADG04B001		Without air pre-heater for engine
SADG04B002		Air heater for engine

Q1-Q5	Option	Option description	
Q1 DG04B001 TROPIC	SADG04B001	Without air pre-heater for engine	
Q2 DG04B002 STD	SADG04B002	Air heater for engine	

Pos	Part	Q1	Q2	Q3	Q4	Q5	PS	Kit	Description	Option(s)	Remark
1	SA3013786	1	1						Plug		
2	SA3900628	2	2						Screw		
3	SA3901865	4	4						Bolt		
4	SA3902425	1	1						Washer		
5	SA3906216	2	2						Nut		
6	SA3926865	2	2						Spacer		

7	SA3910960	2	2						Washer		
8	SA3914302	1	1						Gasket		
9	SA3920773	1	1						Washer		
10	SA3924147	1	1						Plug		
11	SA3924148	1	1						Plug		
12	SA3927606	1	1						Plate		
13	SA3930408	1	1						Gasket		
14	SA3932070	1	1						Oil Pan		
15	SA3908316	32	32						Washer		
16	SA3931787	1	1						Brace		
17	SA3931979	1	1						Connector		
18	SA3931352	1	1						Valve		
19	SA3902114	32	32						Screw		
20	SA3282945	1	1						Adapter		
21	SA3283505	1	1						Valve		

Date: 2013/11/20	Image id: SD120	Catalogue: 56121	Model: EC290
Brand: Volvo	Serial: 3001-9999	Group/Section: 217/200	Title: Oil dipstick



Section option	Kit	Option description
SADG04B001		Without air pre-heater for engine
SADG04B002		Air heater for engine

Q1-Q5	Option	Option description	
Q1 DG04B001 TROPIC	SADG04B001	Without air pre-heater for engine	
Q2 DG04B002 STD	SADG04B002	Air heater for engine	

Pos	Part	Q1	Q2	Q3	Q4	Q5	PS	Kit	Description	Option(s)	Remark
1	SA68368-B	1	1						Spacer		
2	SA3279104	1	1						Pipe		
3	SA3900240	1	1						Nut		
4	SA3900955	1	1						Plug		
5	SA3905802	1	1						End		

6	SA3909395	1	1						Clamp		
7	SA3915152	1	1						Brace		
8	SA3917314	1	1						Pipe		
9	SA3932071	1	1						Dipstick		
10	SA3925883	1	1						Bolt		
11	SA3900678	1	1						Bolt		



Suggest:

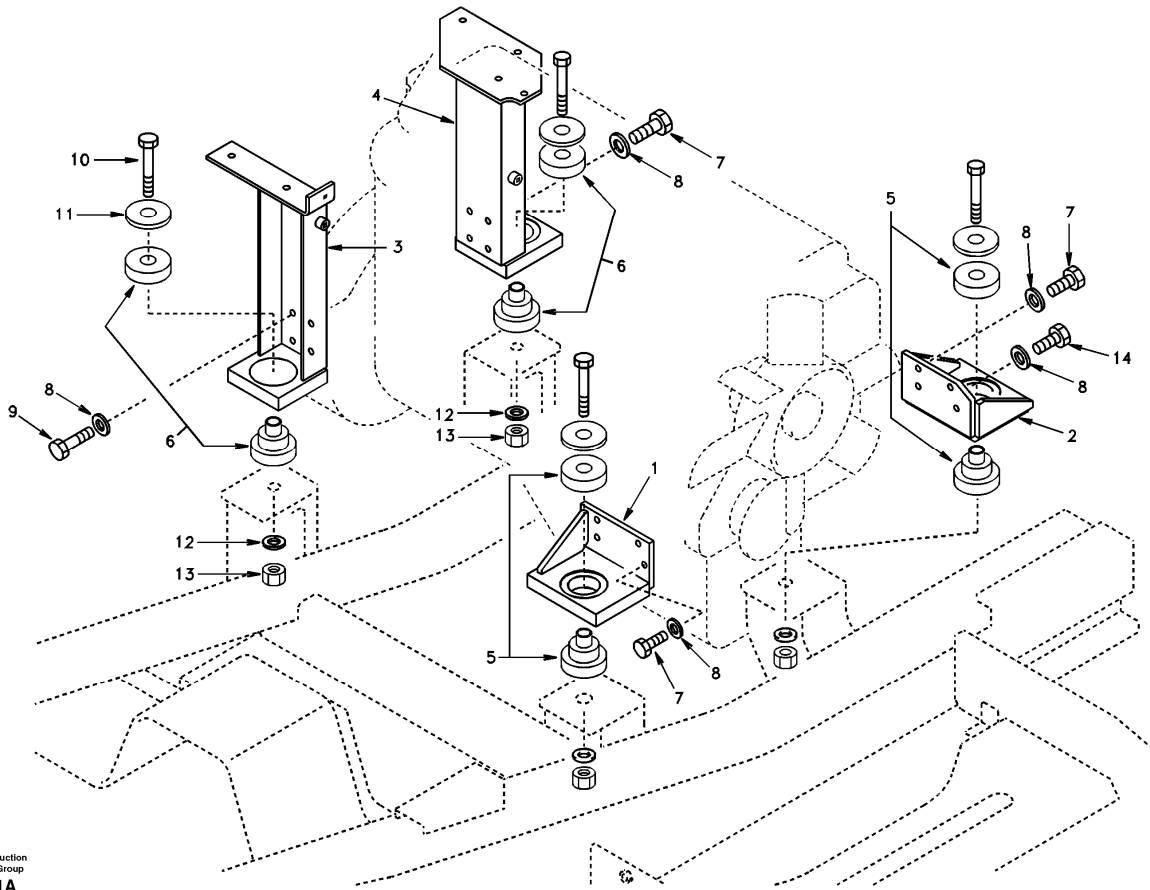
For more complete manuals. Please go to the home page.

<https://www.ebooklibonline.com>

If the above button click is invalid. Please download this document first, and then click the above link to download the complete manual.

Thank you so much for reading

Date: 2013/11/20	Image id: SD121A	Catalogue: 56121	Model: EC290
Brand: Volvo	Serial: 3001-9999	Group/Section: 218/100	Title: Engine mount



Volvo Construction
Equipment Group
SD121A

Section option	Kit	Option description
SADG00A001		Basic Machine EC290

Q1-Q5	Option	Option description	
Q1 DG00A001	SADG00A001	Basic Machine EC290	

Pos	Part	Q1	Q2	Q3	Q4	Q5	PS	Kit	Description	Option(s)	Remark
1	SA1112-00870	1							Bracket		
2	SA1112-01640	1							Bracket		
3	SA1112-00232	1					SS		Bracket		SER NO 3001-3337
	VOE14507209	1							Bracket		SER NO 3338-
4	SA1112-00243	1							Bracket		
5	SA1112-00570	2							Cushion		
6	SA1112-00860	2					SS		Cushion		
7	SA9011-11207	11							Bolt		
8	SA9213-12000	16							Spring Washer		

<https://www.ebooklibonline.com>

Hello dear friend!

Thank you very much for reading.

Enter the link into your browser.

The full manual is available for immediate download.

<https://www.ebooklibonline.com>