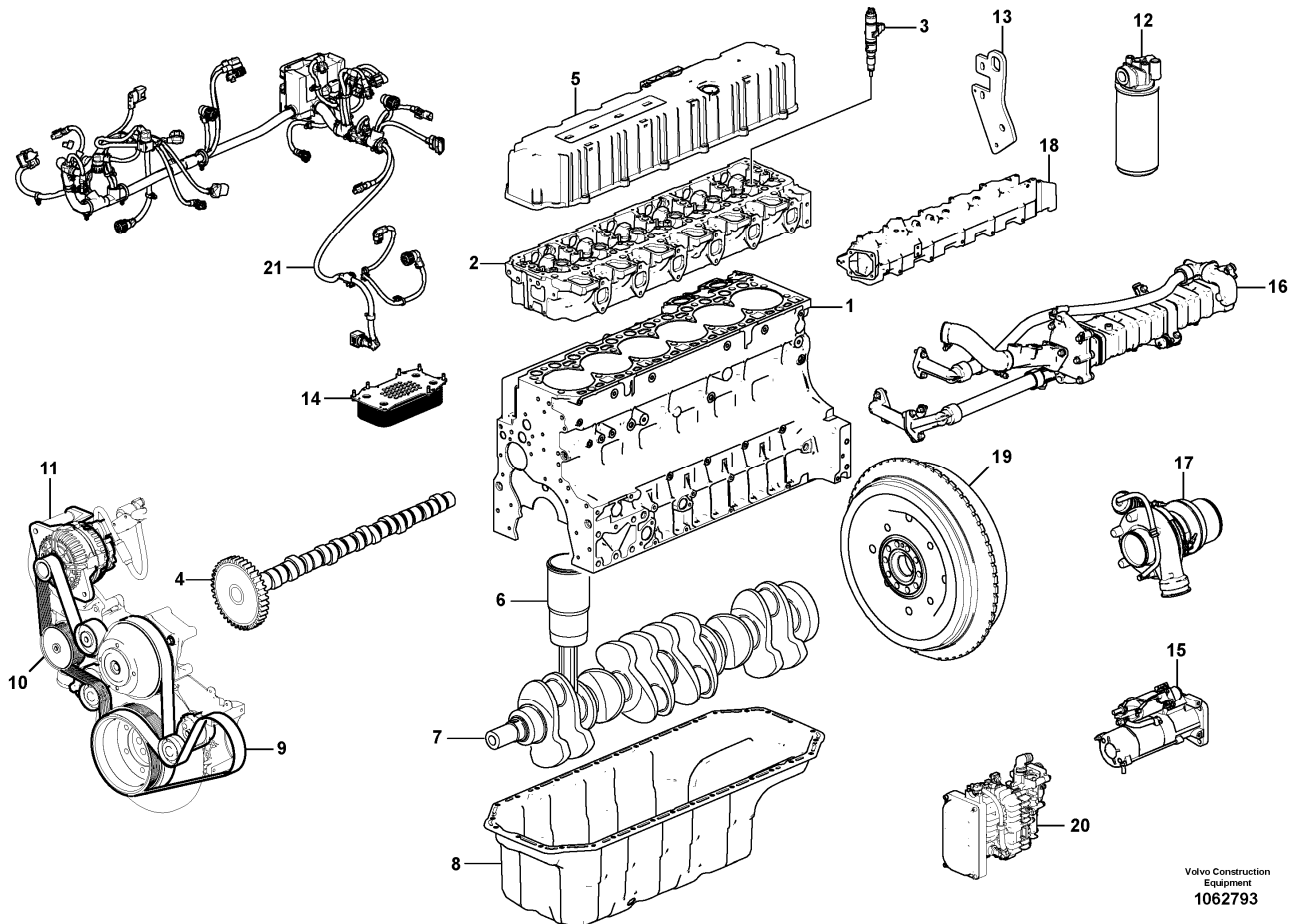


Date: 2013/11/20	Image id: 1062793	Catalogue: 20615	Model: EC250D L
Brand: Volvo	Serial: 210001-	Group/Section: 210/100	Title: Engine



Volvo Construction
Equipment
1062793

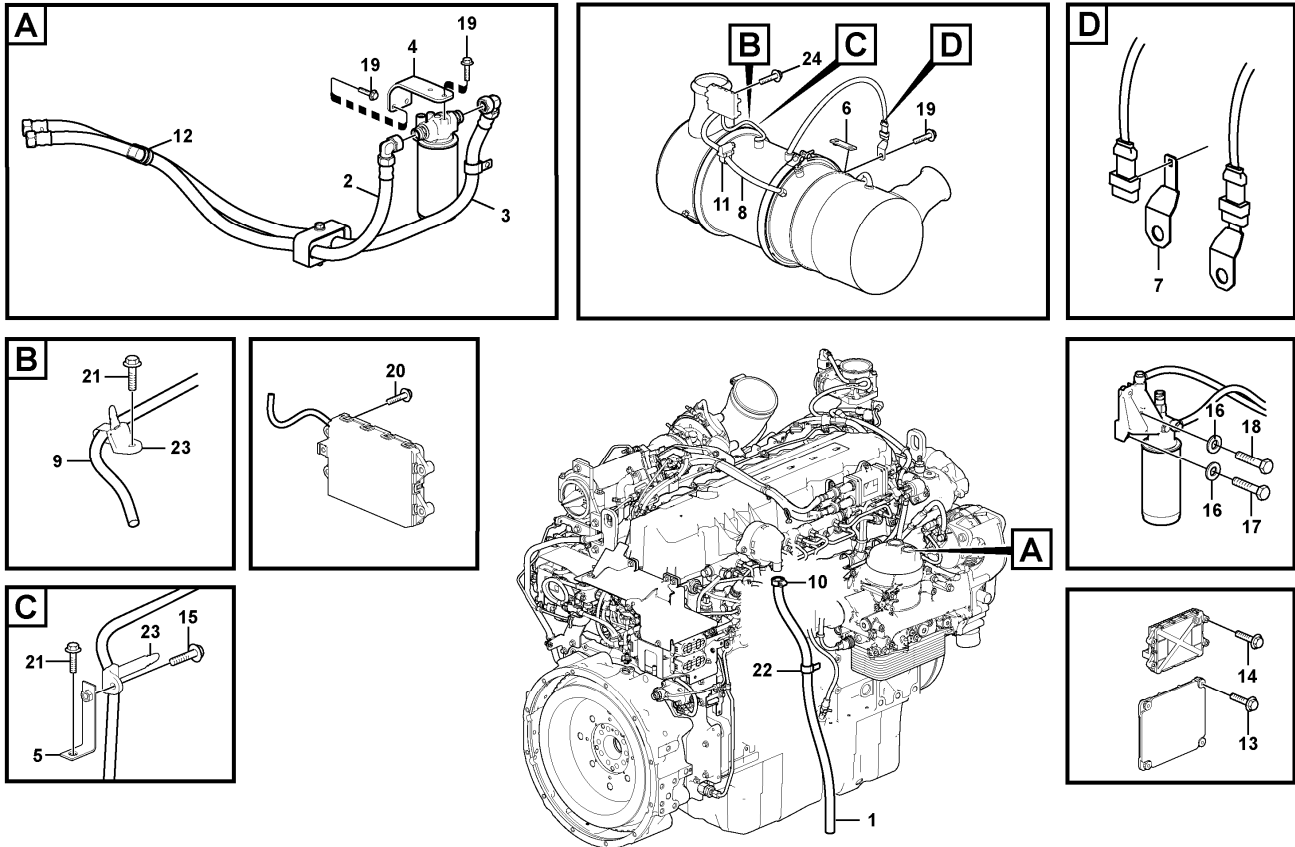
Section option	Kit	Option description
VOE15083724		Engine D8H, US
VOE15165691		Engine D8H, EU
VOE8289310		Engine Installation D8H, EMISSION CERTIFIED FOR US
VOE8289960		Engine Installation D8H, EMISSION CERTIFIED FOR EU

Q1-Q5	Option	Option description	
Q1 8289960	VOE8289960	Engine Installation D8H, EMISSION CERTIFIED FOR EU	
Q2 8289310	VOE8289310	Engine Installation D8H, EMISSION CERTIFIED FOR US	

Pos	Part	Q1	Q2	Q3	Q4	Q5	PS	Kit	Description	Option(s)	Remark
	VOE15165691	1							Engine		D8H, EU
	VOE15083724		1						Engine		D8H, US
1		1	1						•Cylinder block		See ref 212/100
2		1	1						•Cylinder head		See ref 211/100
3		1	1						•Injector		See ref 237/100

4		1	1						•Camshaft		See ref 214/100
5		1	1						•Valve Cover		See ref 211/100
6		6	6						•Cylinder liner,piston		See ref 213/100
7		1	1						•Crankshaft		See ref 216/100
8		1	1						•Oil sump		See ref 217/100
9		1	1						•Belt Xmsn		See ref 263/300
10		1	1						•Water Pump		See ref 262/100
11		1	1						•Alternator		See ref 321/100
12		1	1						•Oil filter		See ref 222/100
13		1	1						•Engine mounting		See ref 218/200
14		1	1						•Oil cooler		See ref 233/100
15		1	1						•Starter Motor		See ref 331/100
16		1	1						•EGR valve		See ref 293/100
17		1	1						•Turbocharger		See ref 255/100
18		1	1						•Inlet Manifold		See ref 251/100
19		1	1						•Flywheel		See ref 216/100
20		1	1						•Air compressor		See ref 254/600
21		1	1						•Cable harness		See ref 286/200

Date: 2013/11/20	Image id: 1060715	Catalogue: 20615	Model: EC250D L
Brand: Volvo	Serial: 210001-	Group/Section: 210/200	Title: Engine 8289310, 8289960



Volvo Construction
Equipment
1060715

Section option	Kit	Option description
VOE8289310		Engine Installation D8H, EMISSION CERTIFIED FOR US
VOE8289960		Engine Installation D8H, EMISSION CERTIFIED FOR EU

Pos	Part	Q1	Q2	Q3	Q4	Q5	PS	Kit	Description	Option(s)	Remark
1	VOE14880502	1							Hose		
2	VOE14607646	1							Hose		
3	VOE14606980	1							Hose		
4	VOE14606691	1					NS		Bracket		
5	VOE14529258	1							Bracket		
6	VOE14614768	1					NS		Bracket		
7	VOE14615830	2					NS		Bracket		
8	VOE14614958	1							Hose		
9	VOE14614959	1							Hose		
10	VOE943475	1							Hose clamp		
11	VOE943469	4							Hose clamp		

<https://www.ebooklibonline.com>

Hello dear friend!

Thank you very much for reading.

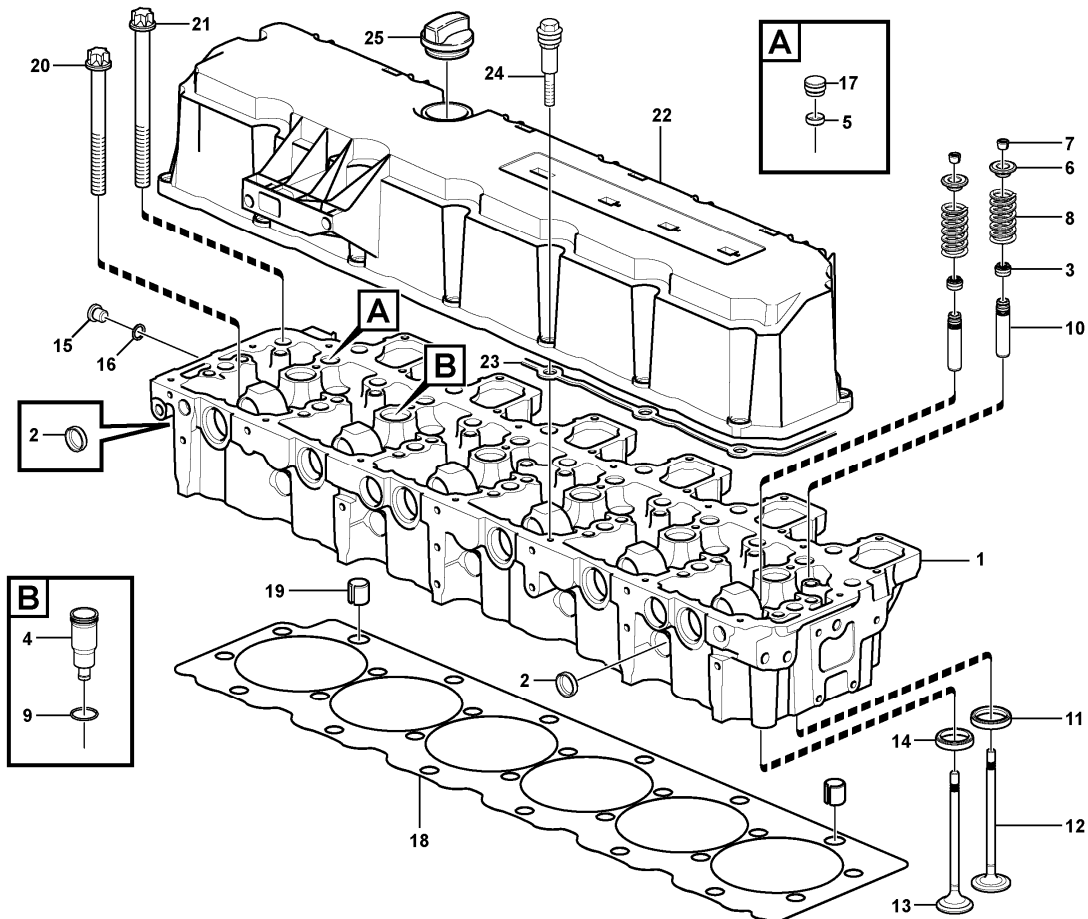
Enter the link into your browser.

The full manual is available for immediate download.

<https://www.ebooklibonline.com>

12	VOE14507451	1							Clip		
13	VOE947760	4							Flange screw		
14	VOE946470	4							Flange screw		
15	VOE946329	2							Flange screw		
16	VOE993835	3							Washer		
17	VOE983245	2							Hexagon screw		
18	VOE983247	1							Hexagon screw		
19	VOE946441	8							Flange screw		
20	VOE946934	2							Flange screw		
21	VOE946471	3							Flange screw		
22	VOE14539461	1							Clip		
23	VOE14558810	4							Strip clamp		
24	VOE969407	2							Six point socket screw		
	VOE946440	1							Flange screw		S/N 210053-

Date: 2013/11/20	Image id: 1062046	Catalogue: 20615	Model: EC250D L
Brand: Volvo	Serial: 210001-	Group/Section: 211/100	Title: Cylinder head with fitting parts 8289960, 8289310



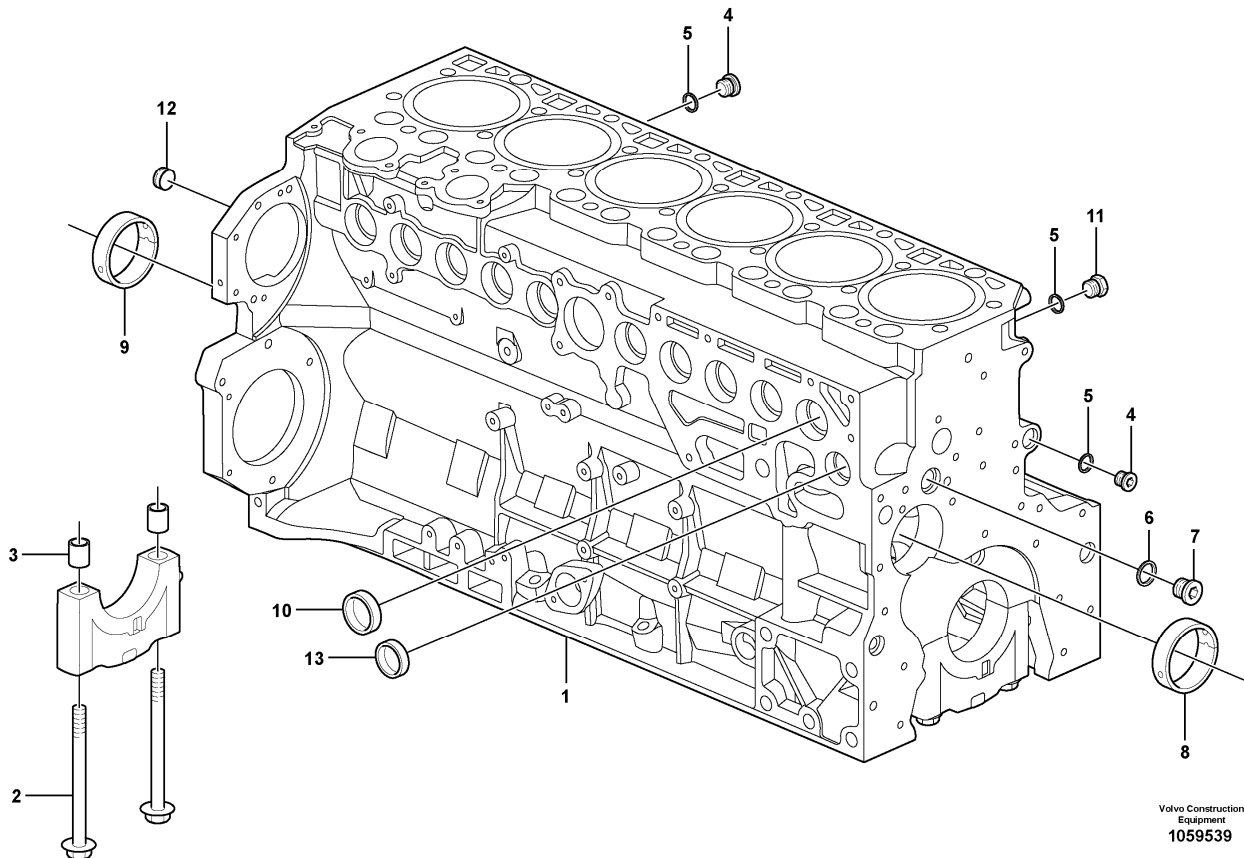
Volvo Construction
Equipment
1062046

Section option	Kit	Option description
VOE15083724		Engine D8H, US
VOE15165691		Engine D8H, EU
VOE8289310		Engine Installation D8H, EMISSION CERTIFIED FOR US
VOE8289960		Engine Installation D8H, EMISSION CERTIFIED FOR EU

Pos	Part	Q1	Q2	Q3	Q4	Q5	PS	Kit	Description	Option(s)	Remark
1	VOE21689862	1							Cylinder head		
2	VOE20834024	6							•Cap plug		
3	VOE21751313	24					NS		•Seal		
4	VOE20903104	6							•Sleeve		
5	VOE20799312	6							•Cap plug		
6	VOE20788860	24							•Cap		
7	VOE20459857	48							•Valve sleeve		
8	VOE20859646	24							•Compression spring		

9	VOE20903092	6							•O-ring		
10	VOE21714188	24							•Valve guide		
11	VOE21714184	12							•Valve insert		
12	VOE21714205	12							•Inlet valve		
13	VOE20833936	12							•Exhaust valve		
14	VOE20833930	12							•Valve insert		
15	VOE20459941	1							•Plug		
16	VOE20460061	1							•Sealing ring		
17	VOE20789661	6					NS		•		
18	VOE21714215	1							Gasket		
18	VOE21714221	1							Gasket		
19	VOE20799601	2							Spring pin		
20	VOE20792992	6							Bolt		
21	VOE20793002	20							Bolt		
22	VOE21726603	1					NS		Casing		
23	VOE20788793	1							Gasket		
24	VOE20833901	15							Bolt		
25	VOE20859656	1							Cover		

Date: 2013/11/20	Image id: 1059539	Catalogue: 20615	Model: EC250D L
Brand: Volvo	Serial: 210001-	Group/Section: 212/100	Title: Cylinder block 8289960, 8289310



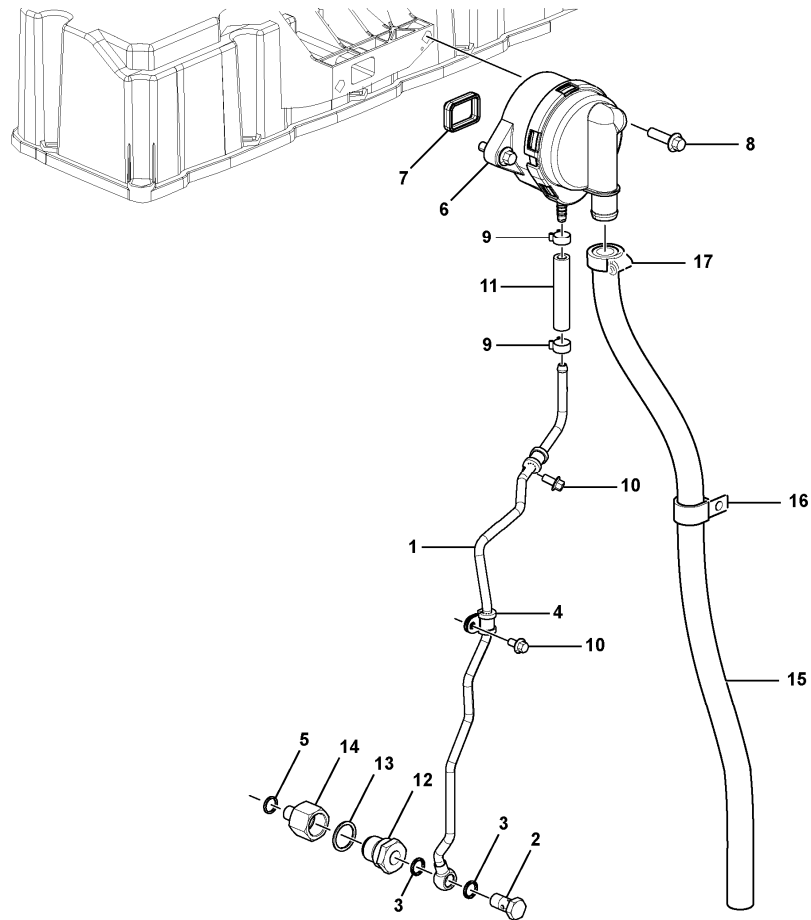
Volvo Construction
Equipment
1059539

Section option	Kit	Option description
VOE15083724		Engine D8H, US
VOE15165691		Engine D8H, EU
VOE8289310		Engine Installation D8H, EMISSION CERTIFIED FOR US
VOE8289960		Engine Installation D8H, EMISSION CERTIFIED FOR EU

Pos	Part	Q1	Q2	Q3	Q4	Q5	PS	Kit	Description	Option(s)	Remark
1	VOE21689804	1							Crankcase		
2	VOE20860579	14							•Bolt		
3	VOE20858657	14							•Bushing		
4	VOE11700279	2							•Plug		
5	VOE993677	3							•Gasket		
6	VOE993680	1							•Gasket		
7	VOE20460024	1							•Plug		
8	VOE20858674	6							•Bushing		
9	VOE20858666	1							•Bushing		

10	VOE20405721	10							•Core plug		
11	VOE20405716	1							•Plug		
12	VOE20405722	1							•Plug		
13	VOE20798056	1					NS		Plug		

Date: 2013/11/20	Image id: 1062599	Catalogue: 20615	Model: EC250D L
Brand: Volvo	Serial: 210001-	Group/Section: 212/200	Title: Crankcase ventilation 8289960, 8289310



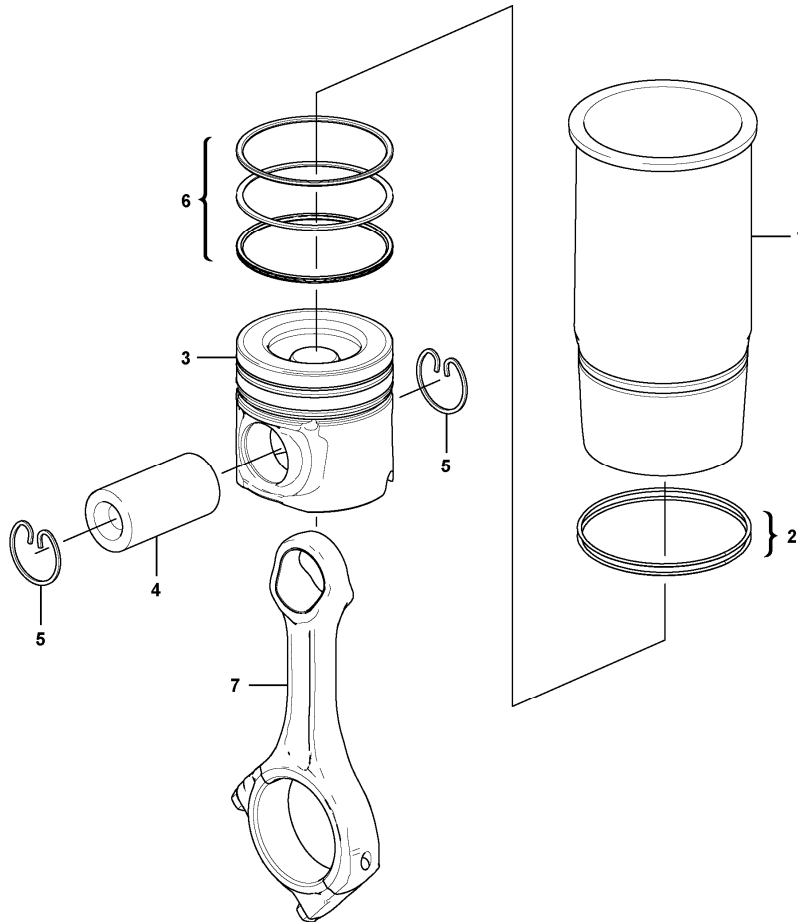
Volvo Construction
Equipment
1062599

Section option	Kit	Option description
VOE15083724		Engine D8H, US
VOE15165691		Engine D8H, EU
VOE8289310		Engine Installation D8H, EMISSION CERTIFIED FOR US
VOE8289960		Engine Installation D8H, EMISSION CERTIFIED FOR EU

Pos	Part	Q1	Q2	Q3	Q4	Q5	PS	Kit	Description	Option(s)	Remark
1	VOE21735710	1							Leak-off line		
2	VOE20460936	1							•Hollow screw		
3	VOE993605	2							•Gasket		
4	VOE20799142	2							Clamp		
5	VOE20460061	1							Sealing ring		
6	VOE20930510	1							Pressure regulator		
7	VOE21038626	1							•Gasket		
8	VOE20405504	2							Screw		
9	VOE20405568	2							Clip		

10	VOE20405729	2							Screw		
11	VOE20799616	1							Hose		
12	VOE21500616	1							Drain valve		
13	VOE20460026	1							•Sealing ring		
14	VOE20999236	1					NS		•Adapter		
15	VOE14880502	1							Hose		
16	VOE14539461	1							Clip		
17	VOE943475	1							Hose clamp		

Date: 2013/11/20	Image id: 1062116	Catalogue: 20615	Model: EC250D L
Brand: Volvo	Serial: 210001-	Group/Section: 213/100	Title: Cylinder liner and piston 8289960, 8289310

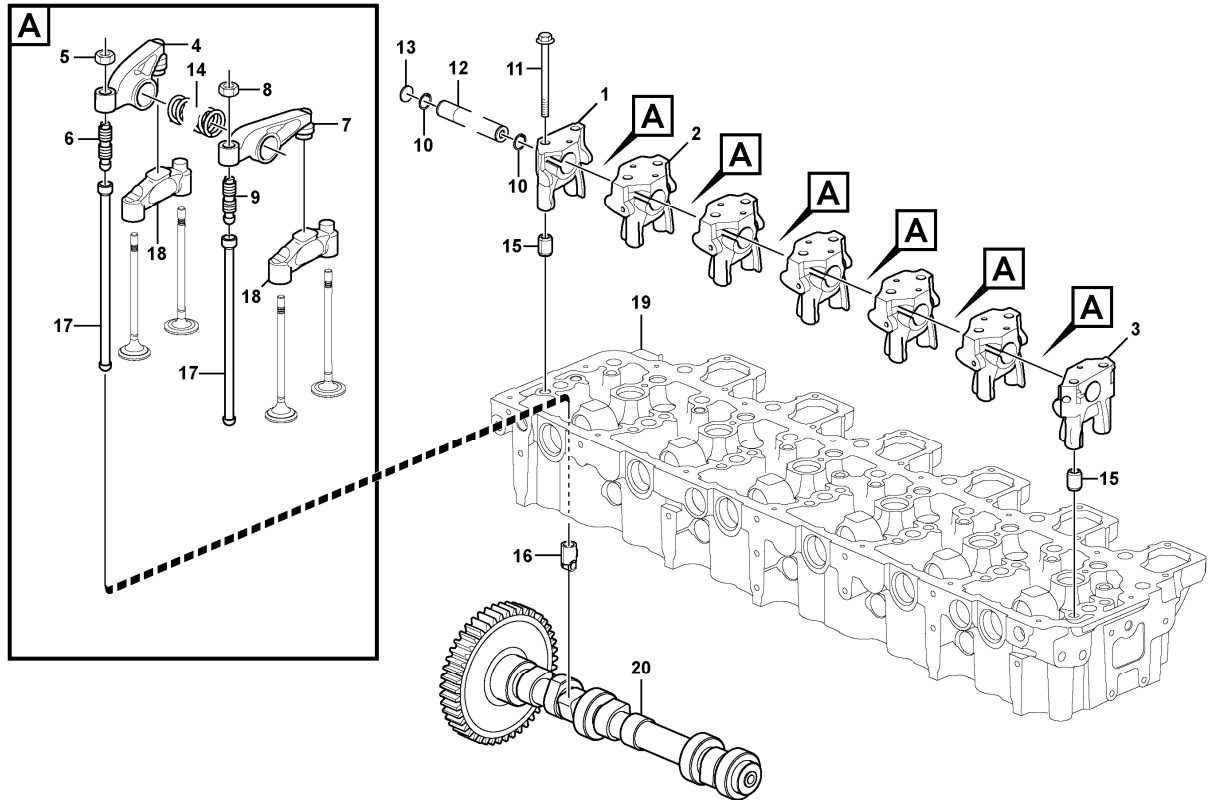


Volvo Construction
Equipment
1062116

Section option	Kit	Option description
VOE15083724		Engine D8H, US
VOE15165691		Engine D8H, EU
VOE8289310		Engine Installation D8H, EMISSION CERTIFIED FOR US
VOE8289960		Engine Installation D8H, EMISSION CERTIFIED FOR EU

Pos	Part	Q1	Q2	Q3	Q4	Q5	PS	Kit	Description	Option(s)	Remark
1	VOE21714046	6					NS		Cylinder Liner		
2	VOE20412762	12							•O-ring		
3		6					NS		Piston		
4		6					NS		•Gudgeon Pin		
5		12					NS		•Seg Ring Kit		
6		6					NS		•Retaining ring		
7		6							Connecting rod		See ref 216/100

Date: 2013/11/20	Image id: 1061632	Catalogue: 20615	Model: EC250D L
Brand: Volvo	Serial: 210001-	Group/Section: 214/100	Title: Valve mechanism 8289960, 8289310



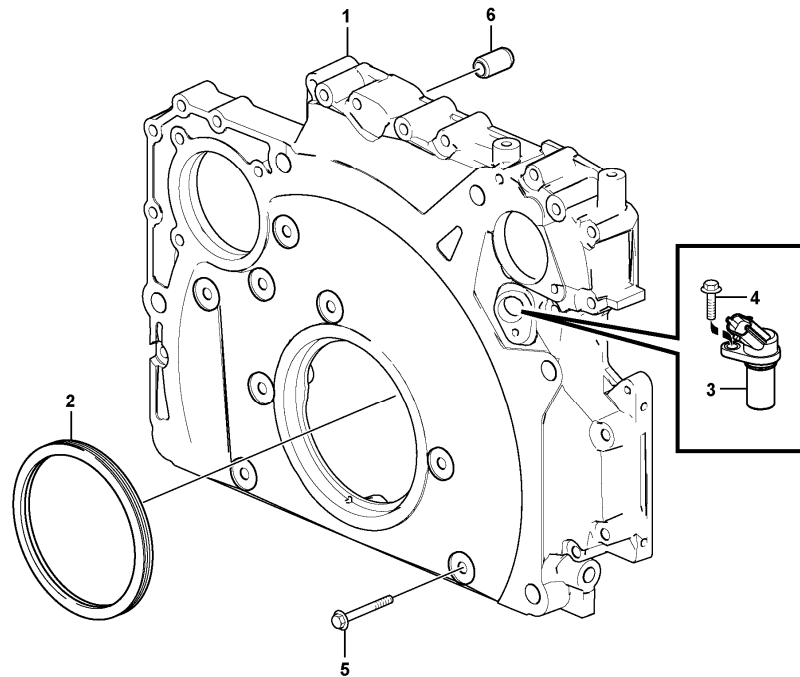
Volvo Construction
Equipment
1061632

Section option	Kit	Option description
VOE15083724		Engine D8H, US
VOE15165691		Engine D8H, EU
VOE8289310		Engine Installation D8H, EMISSION CERTIFIED FOR US
VOE8289960		Engine Installation D8H, EMISSION CERTIFIED FOR EU

Pos	Part	Q1	Q2	Q3	Q4	Q5	PS	Kit	Description	Option(s)	Remark
1	VOE20858513	1					NS		Bracket		
2	VOE20858519	5					NS		Bracket		
3	VOE20858516	1					NS		Bracket		
4	VOE21458892	6							Rocker arm		
5	VOE11700373	6							•Nut		
6	VOE21458899	6							•Adjusting screw		
7	VOE21458904	6							Rocker arm		
8	VOE11700373	6							•Nut		
9	VOE21458899	6							•Adjusting screw		

10	VOE945495	2							Retaining ring		
11	VOE993447	14							Flange screw		
12	VOE21294973	1							Rocker arm shaft		
13	VOE20799622	2					NS		•Cap Plug		
14	VOE20800018	6							Compression spring		
15	VOE20799596	2							Spring pin		
16	VOE21486078	12							Tappet		
17	VOE21034347	12							Push rod		
18	VOE20861884	12							Bridge		
19		1							Cylinder head		See ref 211/100
20	VOE21426367	1							Camshaft		

Date: 2013/11/20	Image id: 1061639	Catalogue: 20615	Model: EC250D L
Brand: Volvo	Serial: 210001-	Group/Section: 215/100	Title: Timing gear casing 8289960, 8289310

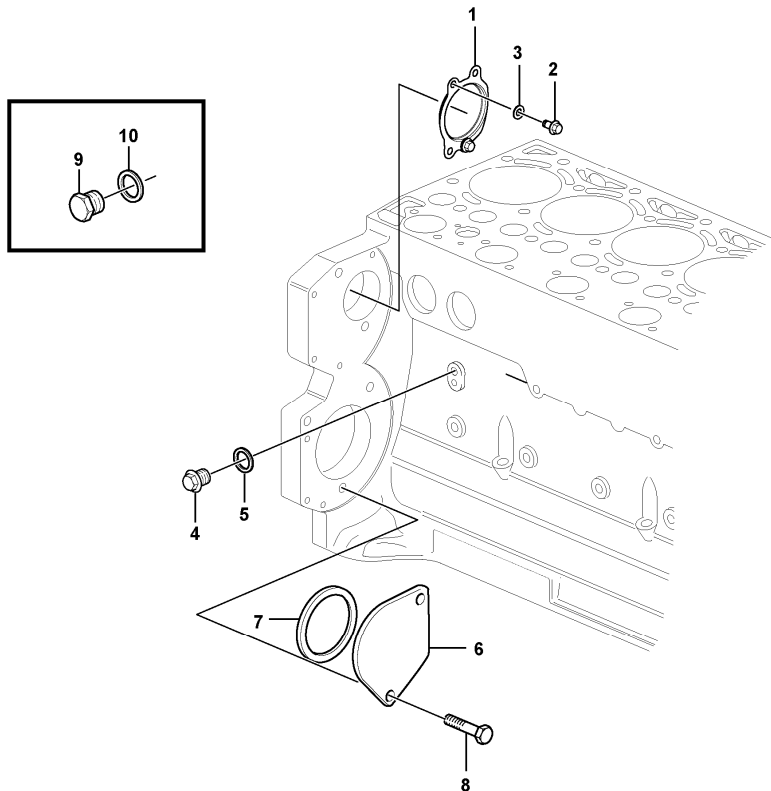


Volvo Construction
Equipment
1061639

Section option	Kit	Option description
VOE15083724		Engine D8H, US
VOE15165691		Engine D8H, EU
VOE8289310		Engine Installation D8H, EMISSION CERTIFIED FOR US
VOE8289960		Engine Installation D8H, EMISSION CERTIFIED FOR EU

Pos	Part	Q1	Q2	Q3	Q4	Q5	PS	Kit	Description	Option(s)	Remark
1	VOE21721520	1							Timing gear casing		
2	VOE21486084	1							Lip seal		
3	VOE20513343	1							Sensor		SE2703
4	VOE20450694	1							Screw		
5	VOE20405709	19							Screw		
6	VOE20799558	1							Spring pin		

Date: 2013/11/20	Image id: 1062250	Catalogue: 20615	Model: EC250D L
Brand: Volvo	Serial: 210001-	Group/Section: 215/200	Title: Pump drive power take-off 8289960, 8289310



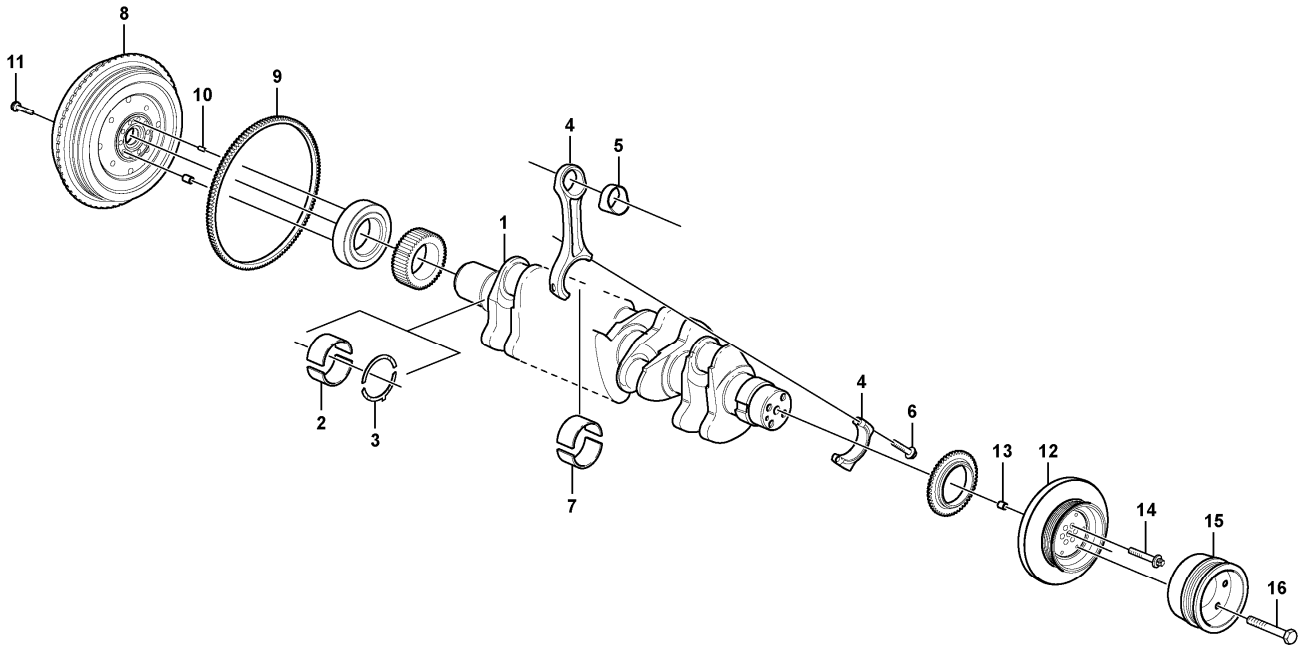
Volvo Construction
Equipment
1062250

Section option	Kit	Option description
VOE15083724		Engine D8H, US
VOE15165691		Engine D8H, EU
VOE8289310		Engine Installation D8H, EMISSION CERTIFIED FOR US
VOE8289960		Engine Installation D8H, EMISSION CERTIFIED FOR EU

Pos	Part	Q1	Q2	Q3	Q4	Q5	PS	Kit	Description	Option(s)	Remark
1	VOE21721539	1							Cover		
2	VOE21713747	2							Hexagon screw		
3	VOE20549890	2							Washer		
4	VOE20405716	1							Plug		
5	VOE13947621	1							Plane gasket		
6	VOE24426064	1							Cover		
7	VOE20412359	1							Sealing ring		
8	VOE888289	2							Hexagon screw		
9	VOE13947281	1							Gasket		

10	VOE20441859	1						Plug		
----	-------------	---	--	--	--	--	--	------	--	--

Date: 2013/11/20	Image id: 1059618	Catalogue: 20615	Model: EC250D L
Brand: Volvo	Serial: 210001-	Group/Section: 216/100	Title: Crankshaft and related parts 8289960, 8289310



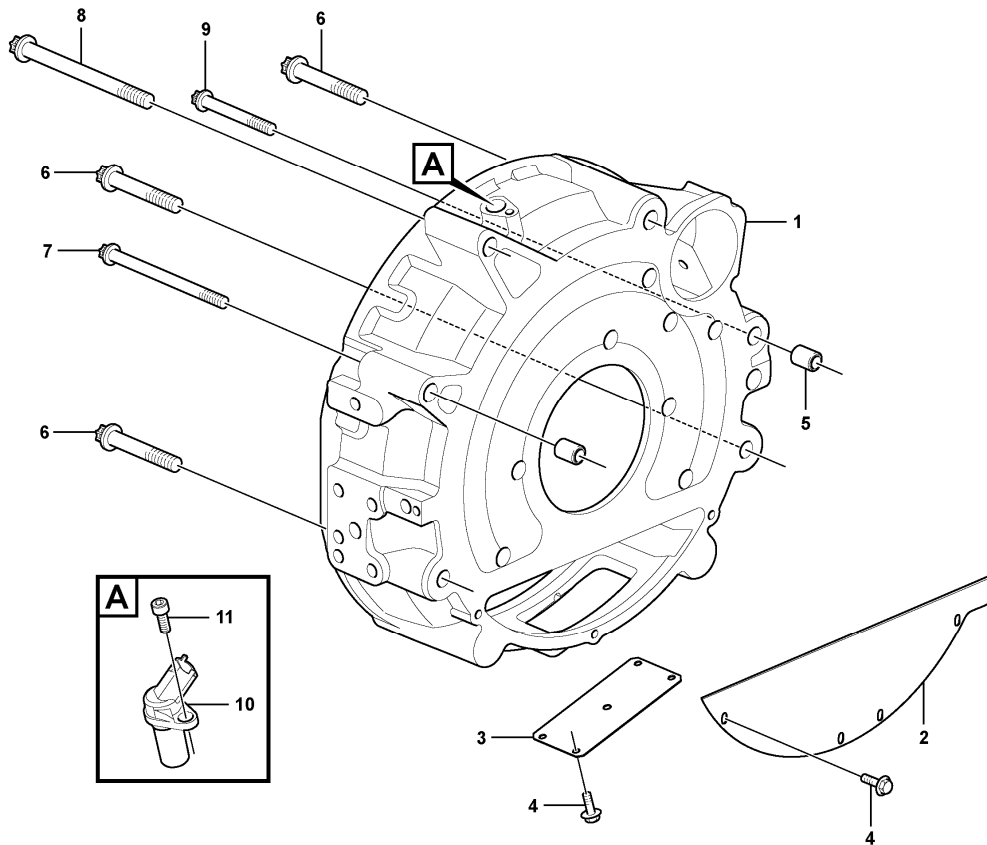
Volvo Construction
Equipment
1059618

Section option	Kit	Option description
VOE15083724		Engine D8H, US
VOE15165691		Engine D8H, EU
VOE8289310		Engine Installation D8H, EMISSION CERTIFIED FOR US
VOE8289960		Engine Installation D8H, EMISSION CERTIFIED FOR EU

Pos	Part	Q1	Q2	Q3	Q4	Q5	PS	Kit	Description	Option(s)	Remark
1	VOE21688599	1							Crankshaft		
2	VOE20945114	7							Bearing		STD
2	VOE21661184	REQ							Main bearing		U SZ = 0,25 mm
2	VOE21661186	REQ							Main bearing		U SZ = 0,50 mm
3	VOE21141955	1							Raceway washer		
3	VOE21141963	REQ							Raceway washer		
4	VOE21506256	6							Connecting rod		
5	VOE21506250	6							•Bearing		
6	VOE11700326	12							•Bolt		

7	VOE21688936	6							Big-end bearing shell		
7	VOE21739994	REQ							Bearing		
7	VOE21740000	REQ							Bearing		
8	VOE21722027	1							Flywheel		
9	VOE21033328	1							•Gear Ring		
10	VOE20799584	1							Spring pin		
11	VOE21462604	10							Screw		
12	VOE21723180	1							Vibration damper		
13	VOE20405634	1							Spring pin		
14	VOE21462640	6							Six point socket screw		
15	VOE20757217	1							Pulley		
16	VOE20554683	6							Screw		

Date: 2013/11/20	Image id: 1059562	Catalogue: 20615	Model: EC250D L
Brand: Volvo	Serial: 210001-	Group/Section: 216/200	Title: Flywheel housing 8289960, 8289310



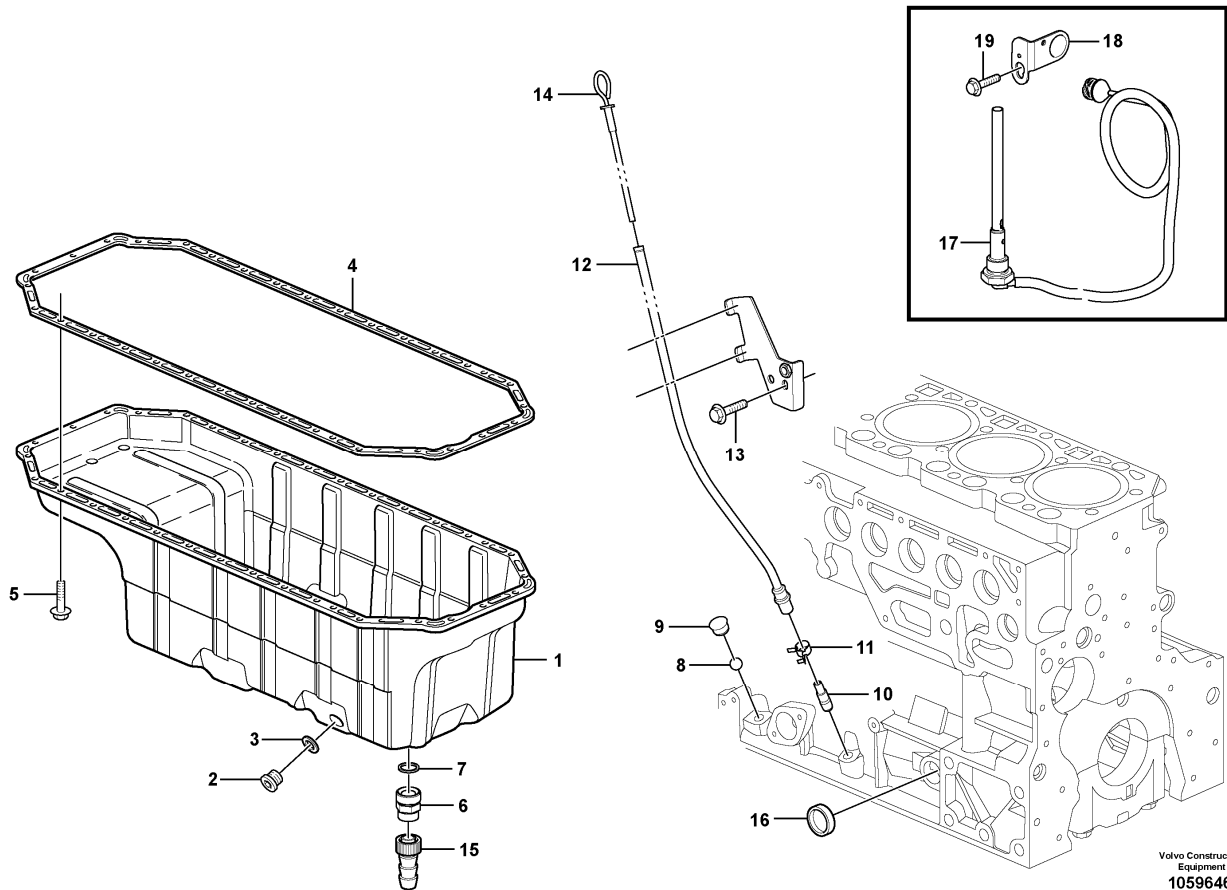
Volvo Construction
Equipment
1059562

Section option	Kit	Option description
VOE15083724		Engine D8H, US
VOE15165691		Engine D8H, EU
VOE8289310		Engine Installation D8H, EMISSION CERTIFIED FOR US
VOE8289960		Engine Installation D8H, EMISSION CERTIFIED FOR EU

Pos	Part	Q1	Q2	Q3	Q4	Q5	PS	Kit	Description	Option(s)	Remark
1	VOE21761808	1							Flywheel housing		
2	VOE20459989	1							Cover		
3	VOE20702041	1					NS		Cover Plate		
4	VOE20405729	7							Screw		
5	VOE3586534	2							Bushing		
6	1148977	3							Screw		
7	VOE20405714	1							Screw		
8	VOE20405715	1							Screw		
9	VOE20460792	1							Screw		

10	VOE20513343	1						Sensor		SE2701
11	VOE20450694	1						Screw		

Date: 2013/11/20	Image id: 1059646	Catalogue: 20615	Model: EC250D L
Brand: Volvo	Serial: 210001-	Group/Section: 217/100	Title: Oil sump 8289960, 8289310



Section option	Kit	Option description
VOE15083724		Engine D8H, US
VOE15165691		Engine D8H, EU
VOE8289310		Engine Installation D8H, EMISSION CERTIFIED FOR US
VOE8289960		Engine Installation D8H, EMISSION CERTIFIED FOR EU

Pos	Part	Q1	Q2	Q3	Q4	Q5	PS	Kit	Description	Option(s)	Remark
1	VOE21646771	1							Oil pan		
2	VOE20460024	2							Plug		
3	VOE993680	2							Gasket		
4	VOE20405915	1							Gasket		
5	VOE20405792	34							Screw		
6	VOE20450851	1							Drain valve		
7	VOE993679	1							Gasket		
8	VOE3586662	2							Ball		
9	VOE21349017	2					NS		Plug		

10	VOE21531738	1							Guide tube		
11	VOE21140890	1							Hose clamp		
12	VOE21724890	1					NS		Tube		
13	VOE20405885	1							Screw		
14	VOE21184833	1							Dipstick		
14	VOE21665788	1					NS		•		
15	VOE20478246	1							Hose		
16	VOE20799589	1					NS		Cap Plug		
17	VOE21391695	1							Level sensor		
18	VOE20852241	1							Anchorage		
19	VOE20405792	1							Screw		



Suggest:

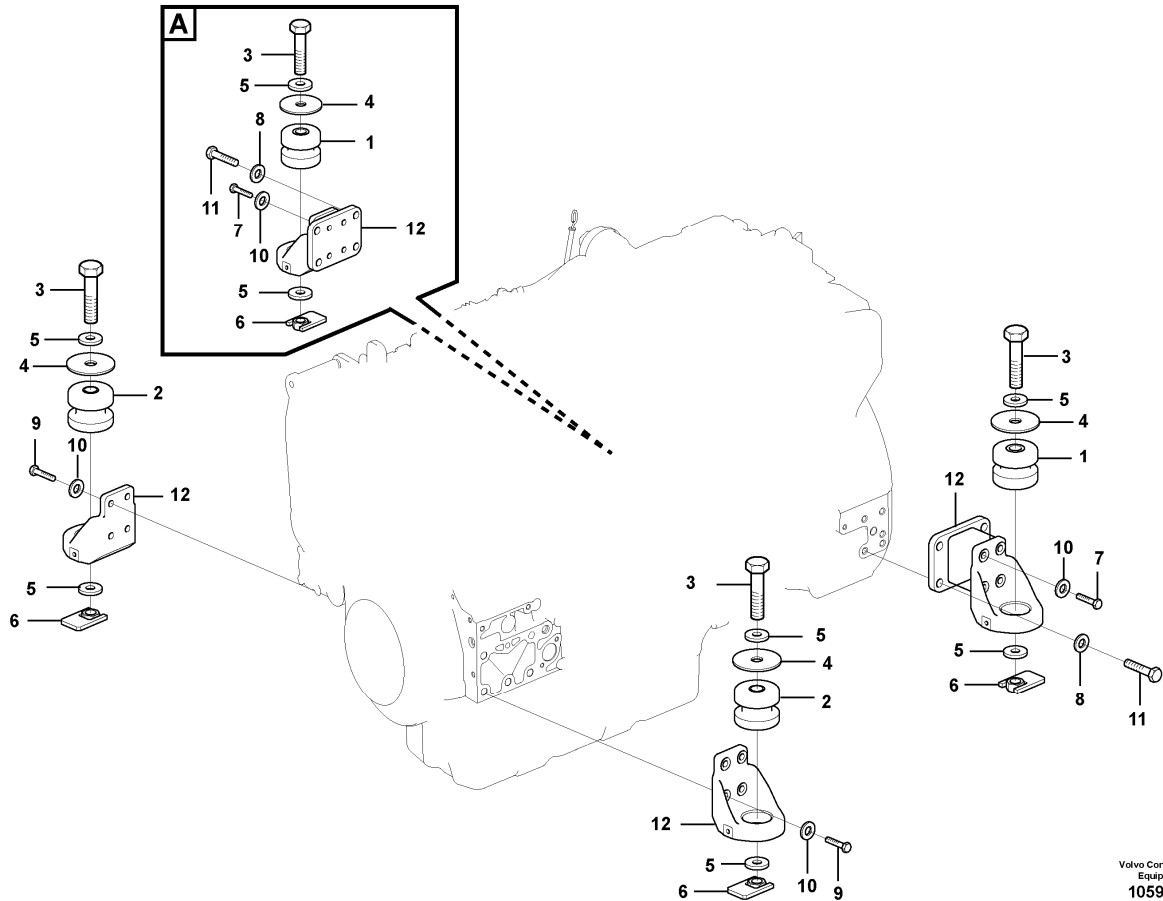
For more complete manuals. Please go to the home page.

<https://www.ebooklibonline.com>

If the above button click is invalid. Please download this document first, and then click the above link to download the complete manual.

Thank you so much for reading

Date: 2013/11/20	Image id: 1059448	Catalogue: 20615	Model: EC250D L
Brand: Volvo	Serial: 210001-	Group/Section: 218/100	Title: Engine mounting

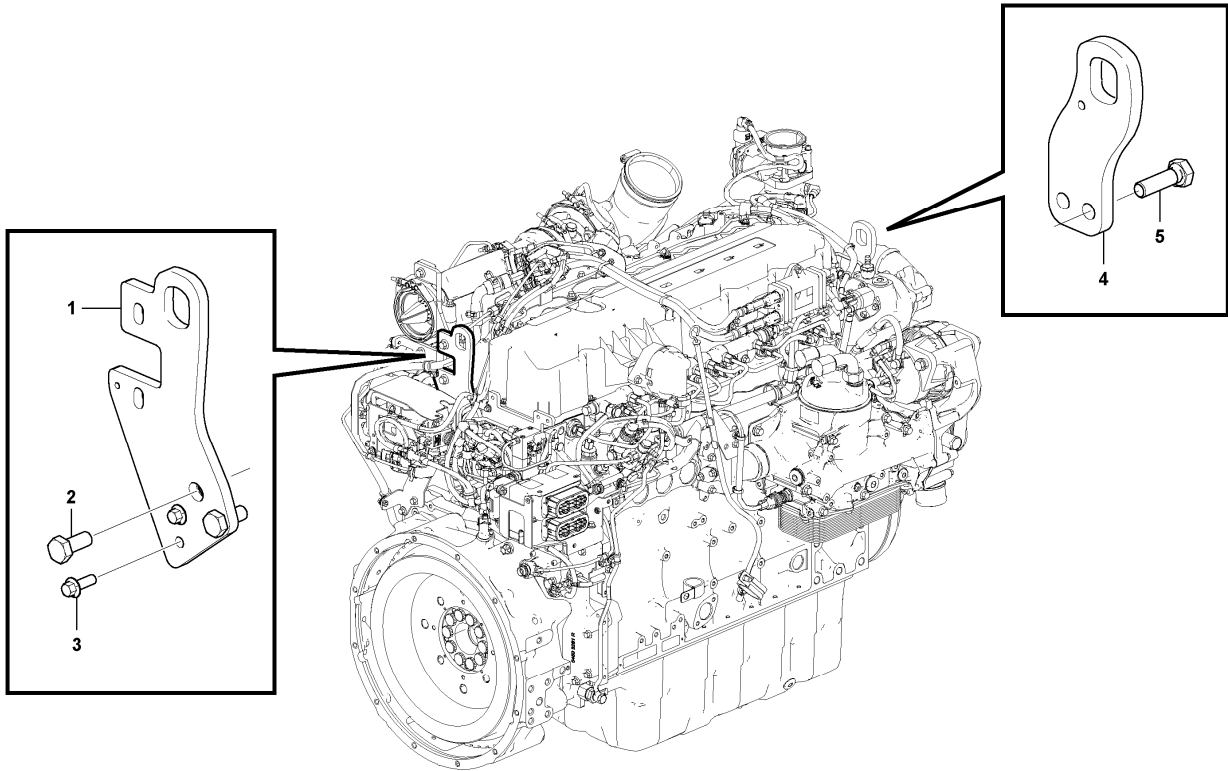


Volvo Construction
Equipment
1059448

Section option	Kit	Option description
VOE8289309		Basic Machine EC250D

Pos	Part	Q1	Q2	Q3	Q4	Q5	PS	Kit	Description	Option(s)	Remark
1	VOE14526154	2							Cushion		
2	VOE14528381	2							Cushion		
3	VOE992992	4							Screw		
4	VOE14526169	4							Plate		
5	VOE992059	8							Plain washer		
6	VOE14512933	4							Nut		
7	VOE978934	8							Hexagon screw		
8	VOE992045	8							Plain washer		
9	VOE978932	8							Hexagon screw		
10	VOE992042	16							Plain washer		
11	VOE993051	8							Hexagon screw		
12	VOE14578737	4							Bracket		

Date: 2013/11/20	Image id: 1062179	Catalogue: 20615	Model: EC250D L
Brand: Volvo	Serial: 210001-	Group/Section: 218/200	Title: Engine mounting 8289960, 8289310



Volvo Construction
Equipment
1062179

Section option	Kit	Option description
VOE15083724		Engine D8H, US
VOE15165691		Engine D8H, EU
VOE8289310		Engine Installation D8H, EMISSION CERTIFIED FOR US
VOE8289960		Engine Installation D8H, EMISSION CERTIFIED FOR EU

Pos	Part	Q1	Q2	Q3	Q4	Q5	PS	Kit	Description	Option(s)	Remark
1	VOE21754286	1					NS		Bracket		
2	VOE995909	2							Hexagon screw		
3	VOE20797217	2							Flange screw		
4	VOE21724244	1					NS		Lifting eye		
5	VOE20551469	2					NS		Hexagon screw		

<https://www.ebooklibonline.com>

Hello dear friend!

Thank you very much for reading.

Enter the link into your browser.

The full manual is available for immediate download.

<https://www.ebooklibonline.com>