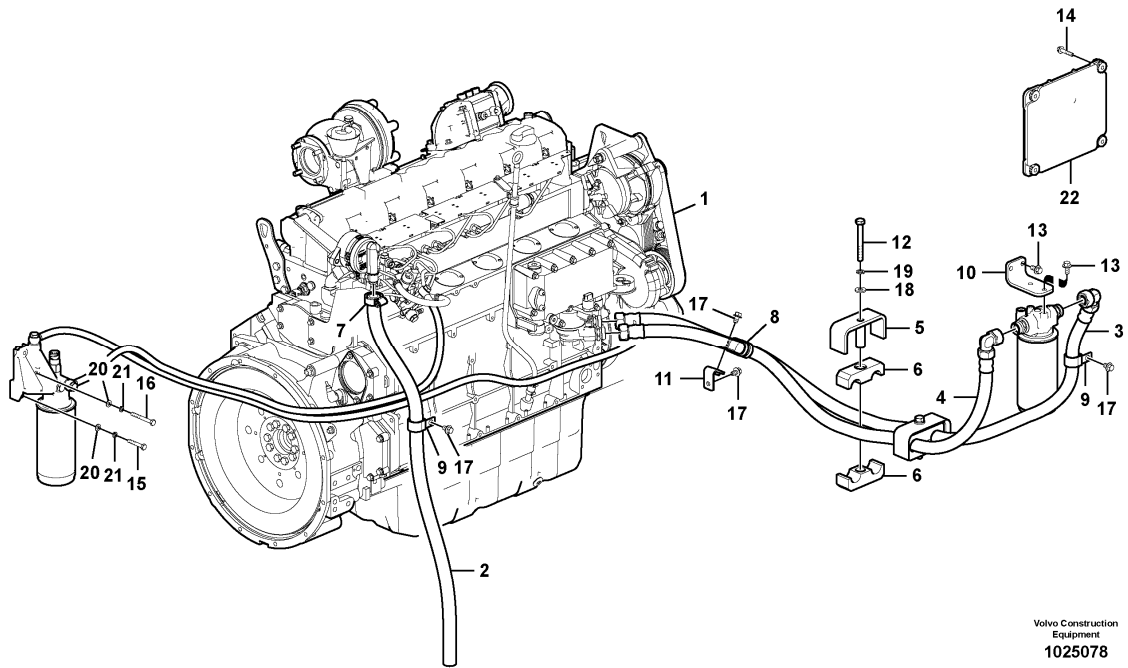


Date: <b>2013/11/19</b>	Image id: <b>1025078</b>	Catalogue: <b>20098</b>	Model: <b>EC240C L</b>
Brand: <b>Volvo</b>	Serial: <b>110001-, 120001-</b>	Group/Section: <b>210/100</b>	Title: <b>Engine</b>



Volvo Construction  
Equipment  
1025078

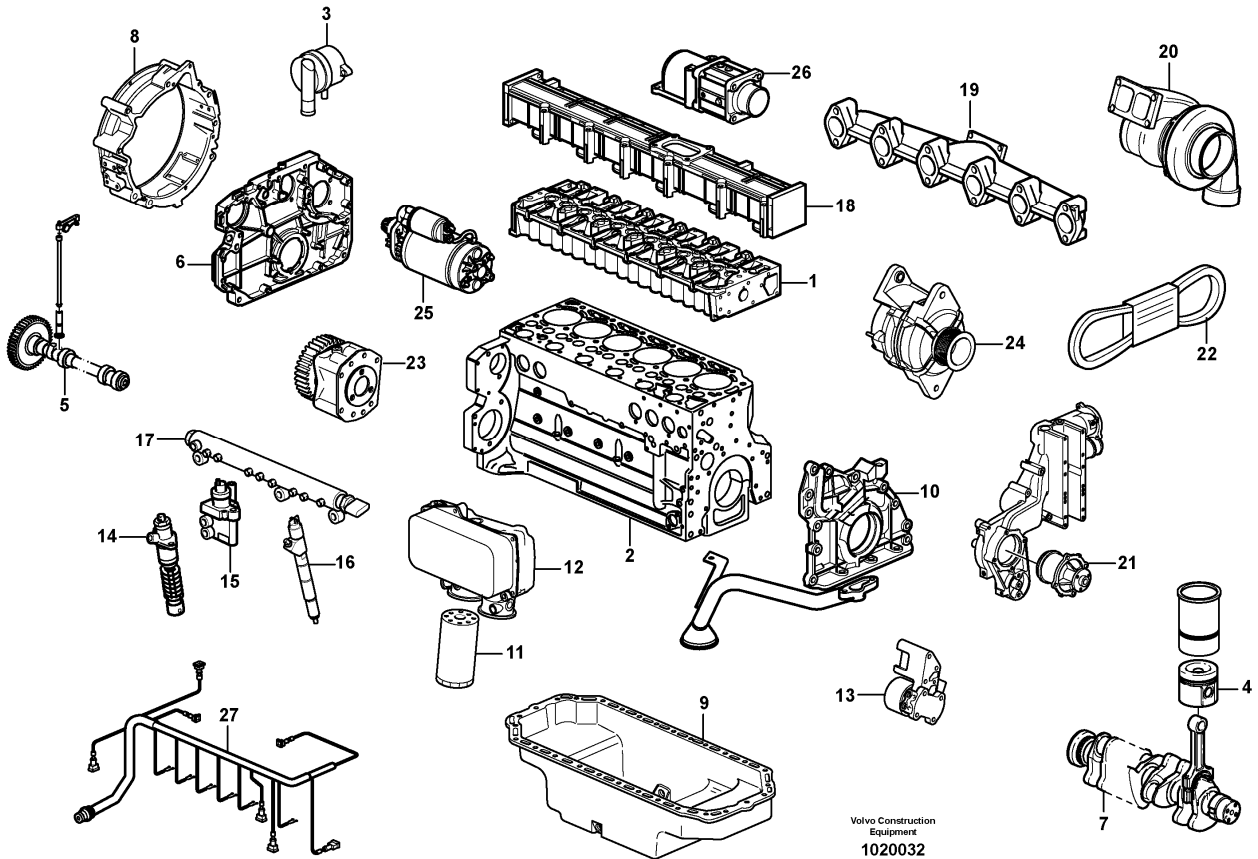
Section option	Kit	Option description
VOE8279626		Engine with Epa label EMISSION CERTIFICATED FROM EU&EPA

Q1-Q5	Option	Option description	
Q1 8279626	VOE8279626	Engine with Epa label EMISSION CERTIFICATED FROM EU&EPA	

Pos	Part	Q1	Q2	Q3	Q4	Q5	PS	Kit	Description	Option(s)	Remark
1	VOE14527731	1							Engine		
2	VOE14880502	1							Hose		
3	VOE14566622	1							Hose		S/N 110001-110820
	VOE14585039	1							Hose		S/N 110821-
4	VOE14566623	1							Hose		
5	VOE14545479	2							Clamp		
6	VOE14510506	4							Rubber clamp		
7	VOE9312-10175	1							Spring Washer		
8	VOE14507451	1							Clip		



Date: <b>2013/11/19</b>	Image id: <b>1020032</b>	Catalogue: <b>20098</b>	Model: <b>EC240C L</b>
Brand: <b>Volvo</b>	Serial: <b>110001-, 120001-</b>	Group/Section: <b>210/200</b>	Title: <b>Engine</b>



Section option	Kit	Option description
VOE8279626		Engine with Epa label EMISSION CERTIFICATED FROM EU&EPA

Q1-Q5	Option	Option description	
Q1 8279626	VOE8279626	Engine with Epa label EMISSION CERTIFICATED FROM EU&EPA	

Pos	Part	Q1	Q2	Q3	Q4	Q5	PS	Kit	Description	Option(s)	Remark
	VOE14527731								Engine		D7EEBE3
1		1							•Cylinder head		See ref 211/100
2		1							•Cylinder block		See ref 212/100
3		1							•Crankcase Venti		See ref 212/300
4		6							•Piston		See ref 213/100
5		1							•Valve mechanism		See ref 214/100
6		1							•Timing gear casing		See ref 215/100
7		1							•Crankshaft		See ref 216/100
8		1							•Flywheel Hsg		See ref 216/200

**<https://www.ebooklibonline.com>**

Hello dear friend!

Thank you very much for reading.

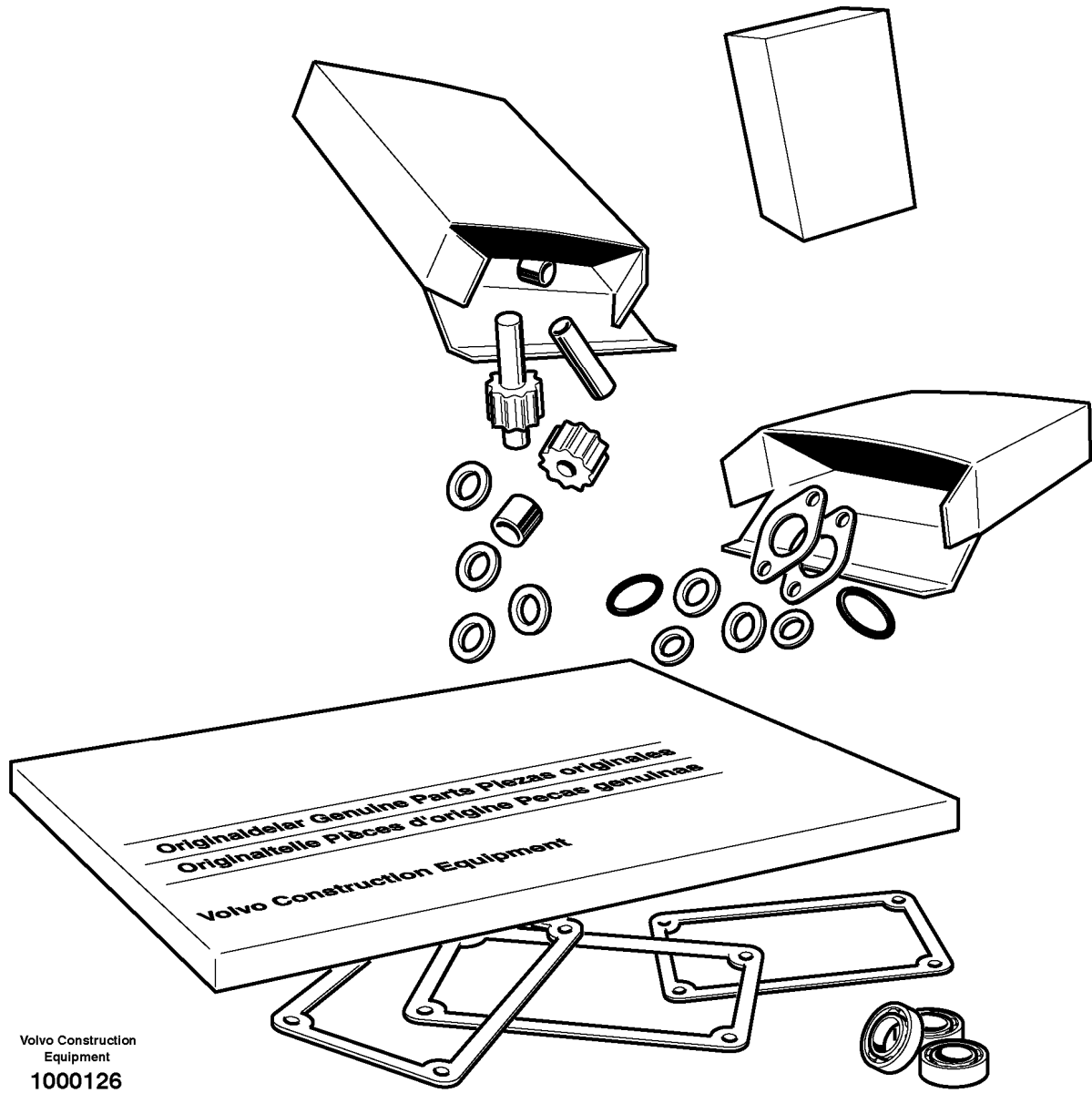
Enter the link into your browser.

The full manual is available for immediate download.

**<https://www.ebooklibonline.com>**

9		1							•Oil sump		See ref 217/100
10		1							•Lubricating system		See ref 221/100
11		1							•Oil filter		See ref 222/200
12		1							•Oil cooler		See ref 223/100
13		1							•Fuel pump		See ref 233/100
14		2							•Injcection pump		See ref 237/100
15		1							•Regulator		See ref 237/100
16		6							•Injector		See ref 237/100
17		1							•Rail		See ref 237/100
18		1							•Inlet pipe		See ref 251/100
19		1							•Exhaust pipe		See ref 251/100
20		1							•Turbocharger		See ref 255/100
21		1							•Coolant Pump		See ref 262/100
22		1							•V-belt		See ref 263/100
23		1							•Pump drive		See ref 263/500
24		1							•Alternator		See ref 321/100
25		1							•Starter motor		See ref 331/100
26		1							•Pre-heater		See ref 333/200
27		1							•Cable harness		See ref 371/300

Date: <b>2013/11/19</b>	Image id: <b>1000126</b>	Catalogue: <b>20098</b>	Model: <b>EC240C L</b>
Brand: <b>Volvo</b>	Serial: <b>110001-, 120001-</b>	Group/Section: <b>210/300</b>	Title: <b>Repair kits for engine</b>



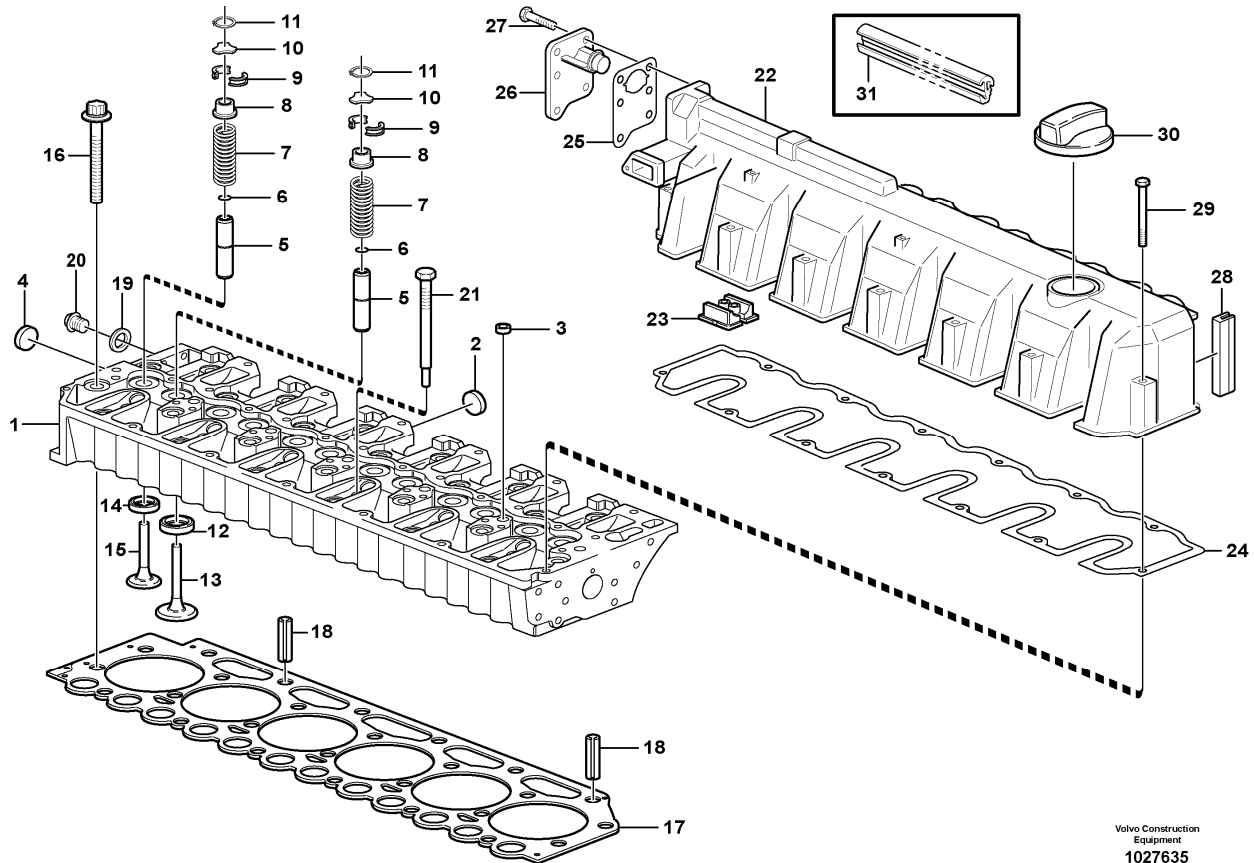
Section option	Kit	Option description
VOE8279626		Engine with Epa label EMISSION CERTIFICATED FROM EU&EPA

Q1-Q5	Option	Option description
Q1 8279626	VOE8279626	Engine with Epa label EMISSION CERTIFICATED FROM EU&EPA

Pos	Part	Q1	Q2	Q3	Q4	Q5	PS	Kit	Description	Option(s)	Remark
	VOE15011490	1							Overhaul kit		
	VOE15011483	1							•Cylinder head kit		

	VOE20865990	6							•Cyl Liner Kit		
--	-------------	---	--	--	--	--	--	--	----------------	--	--

Date: <b>2013/11/19</b>	Image id: <b>1027635</b>	Catalogue: <b>20098</b>	Model: <b>EC240C L</b>
Brand: <b>Volvo</b>	Serial: <b>110001-, 120001-</b>	Group/Section: <b>211/100</b>	Title: <b>Cylinder head</b>



Volvo Construction  
Equipment  
1027635

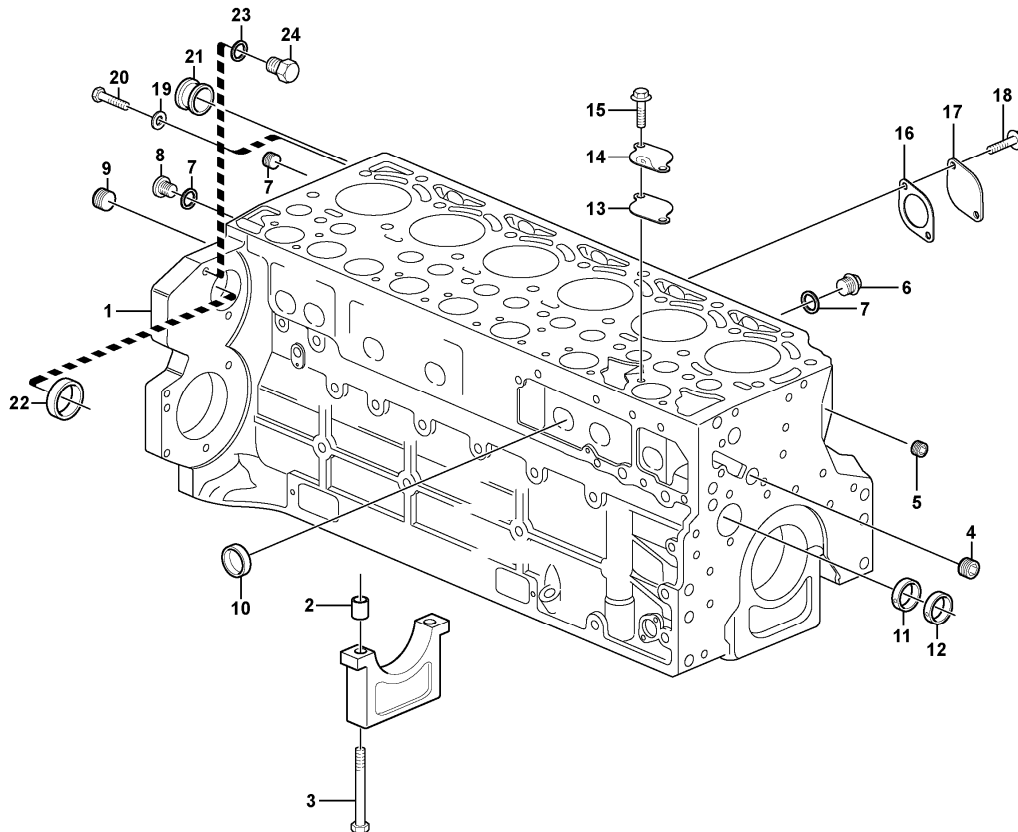
Section option	Kit	Option description
VOE8279626		Engine with Epa label EMISSION CERTIFICATED FROM EU&EPA

Q1-Q5	Option	Option description	
Q1 8279626	VOE8279626	Engine with Epa label EMISSION CERTIFICATED FROM EU&EPA	

Pos	Part	Q1	Q2	Q3	Q4	Q5	PS	Kit	Description	Option(s)	Remark
1	VOE20799762	1							Cylinder head		
2	VOE20799722	5							•Plug		
3	VOE20412733	5							•Core plug		
4	VOE20792165	2					SS		•Plug		
5	VOE20405897	12							•Valve guide		
6	VOE11700348	12							•O-ring		
7	VOE11700347	12							•Valve spring		
8	VOE20847155	12							•Retainer		
9	VOE11700345	24							•Valve sleeve		

10	VOE20840807	12							•Thrust Washer		
11	VOE20840772	12							•Snap Ring		
12	VOE20459962	6							•Valve seat		
13	VOE20758481	6							•Inlet valve		
14	VOE20845144	6							•Valve seat		
15	VOE21739130	6							•Exhaust Valve		(VOE20755883)
16	VOE11700334	26							Screw		
17	VOE20943385	1							Cyl Head Gasket		THICK=1,4MM, 1 HOLE
	VOE20949868	1							Cyl Head Gasket		THICK=1,5MM, 2 HOLE
	VOE20943389	1							Cyl Head Gasket		THICK=1,6MM, 3 HOLE
18	VOE20405521	2							Guide pin		
19	VOE13947281	1							Gasket		
20	VOE960628	1							Plug		
21	VOE20405895	6							Plug		
22	VOE21036771	1							Valve Cover		
23	VOE20412600	1							•Cap		
24	VOE20792871	1							•Gasket		
25	VOE20840801	1							•Gasket		
26	VOE20933359	1							•Oil Separator		
27	VOE20797542	6							•Screw		
28	VOE20847667	1							•Sealing		
29	VOE21145471	13							Flange screw		(VOE21037380)
30	VOE20412589	1							Filler cap		
31	VOE20996748	1							Sealing Strip		

Date: <b>2013/11/19</b>	Image id: <b>1056314</b>	Catalogue: <b>20098</b>	Model: <b>EC240C L</b>
Brand: <b>Volvo</b>	Serial: <b>110001-, 120001-</b>	Group/Section: <b>212/100</b>	Title: <b>Cylinder block</b>



Volvo Construction  
Equipment  
1056314

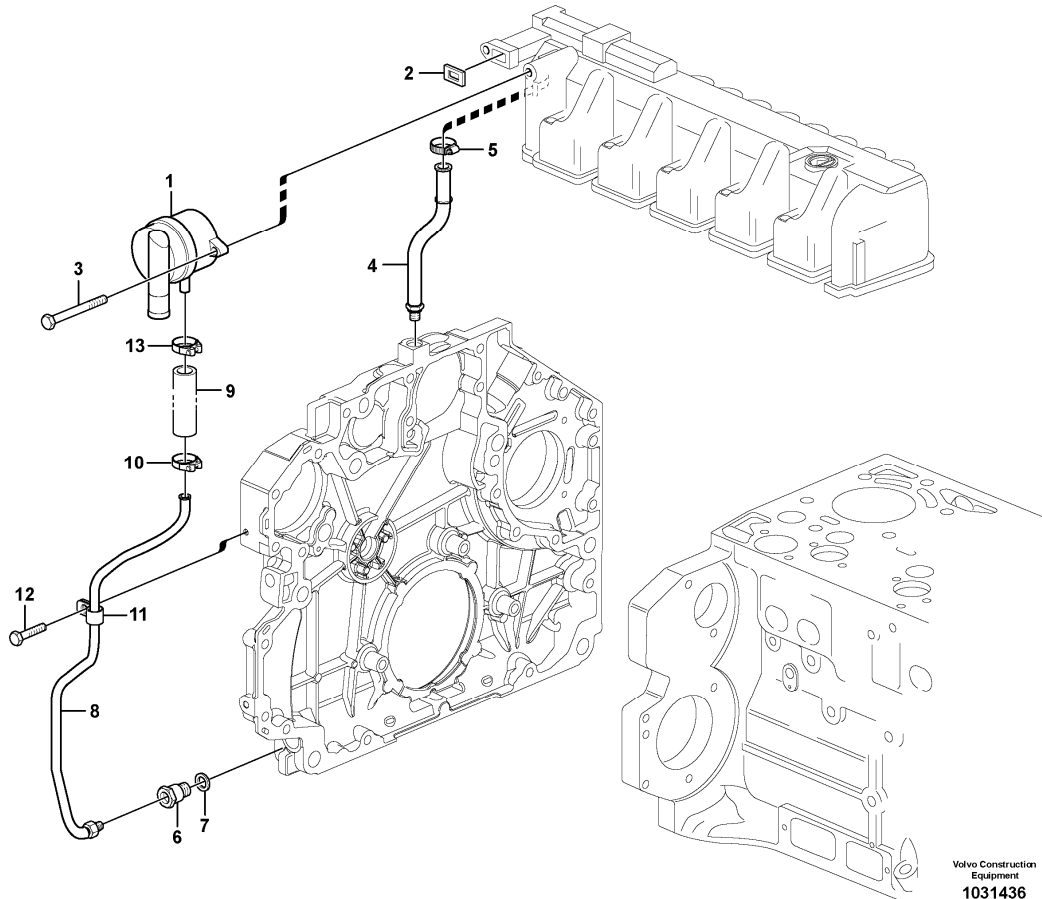
Section option	Kit	Option description
VOE8279626		Engine with Epa label EMISSION CERTIFICATED FROM EU&EPA

Q1-Q5	Option	Option description	
Q1 8279626	VOE8279626	Engine with Epa label EMISSION CERTIFICATED FROM EU&EPA	

Pos	Part	Q1	Q2	Q3	Q4	Q5	PS	Kit	Description	Option(s)	Remark
1	VOE20851922	1							Crankcase		
2	VOE11700278	14							•Bushing		
3	VOE20405583	14							•Bolt		
4	VOE20405719	1							•Plug		
5	VOE20508600	2							•Plug		
6	VOE20405716	2							•Plug		
7	VOE13969011	3							•Gasket		
8	VOE945065	1							•Plug		
9	VOE20785813	1							•Plug		

10	VOE20405721	10							•Core plug		
11	VOE11700285	1							•Bearing bushing		
12	VOE11700284	6							•Bearing bushing		
13	VOE20933203	1							Gasket		
14	VOE20840812	1							Cover		
15	VOE20405792	2							Screw		
16	VOE20412341	1							Gasket		
17	VOE21180405	1							Flange		
18	VOE20405885	2							Screw		
19	VOE20460087	1							Washer		
20	VOE20460101	1							Screw		
21	VOE20794126	1							Bushing		
22	VOE20450778	1							Core plug		
23	VOE13947281	2							Gasket		
24	VOE20441859	2							Plug		

Date: <b>2013/11/19</b>	Image id: <b>1031436</b>	Catalogue: <b>20098</b>	Model: <b>EC240C L</b>
Brand: <b>Volvo</b>	Serial: <b>110001-, 120001-</b>	Group/Section: <b>212/300</b>	Title: <b>Crankcase ventilation</b>



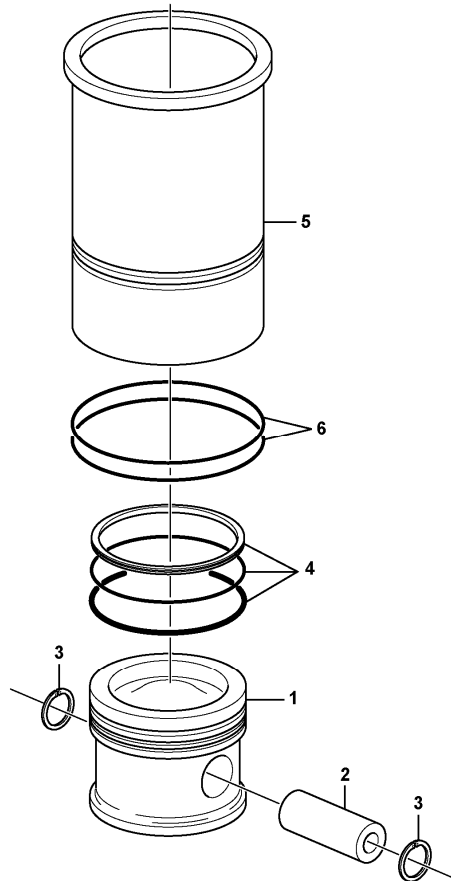
Section option	Kit	Option description
VOE8279626		Engine with Epa label EMISSION CERTIFICATED FROM EU&EPA

Q1-Q5	Option	Option description	
Q1 8278626	VOE8279626	Engine with Epa label EMISSION CERTIFICATED FROM EU&EPA	

Pos	Part	Q1	Q2	Q3	Q4	Q5	PS	Kit	Description	Option(s)	Remark
1	VOE20930510	1							Pressure regulator		
2	VOE21038626	1							•Gasket		
3	VOE20405504	2							Screw		(VOE20792147)
4	VOE20820967	1							Oil Line		
5	VOE20799673	1							Hose Clamp		
6	VOE20841133	1							Dtt Regulator		
7	VOE20460026	1							Sealing ring		
8	VOE20904725	1							Oil Line		
9	VOE20821091	1					NS		•Rubber hose		



Date: <b>2013/11/19</b>	Image id: <b>1019005</b>	Catalogue: <b>20098</b>	Model: <b>EC240C L</b>
Brand: <b>Volvo</b>	Serial: <b>110001-, 120001-</b>	Group/Section: <b>213/100</b>	Title: <b>Cylinder liner and piston</b>



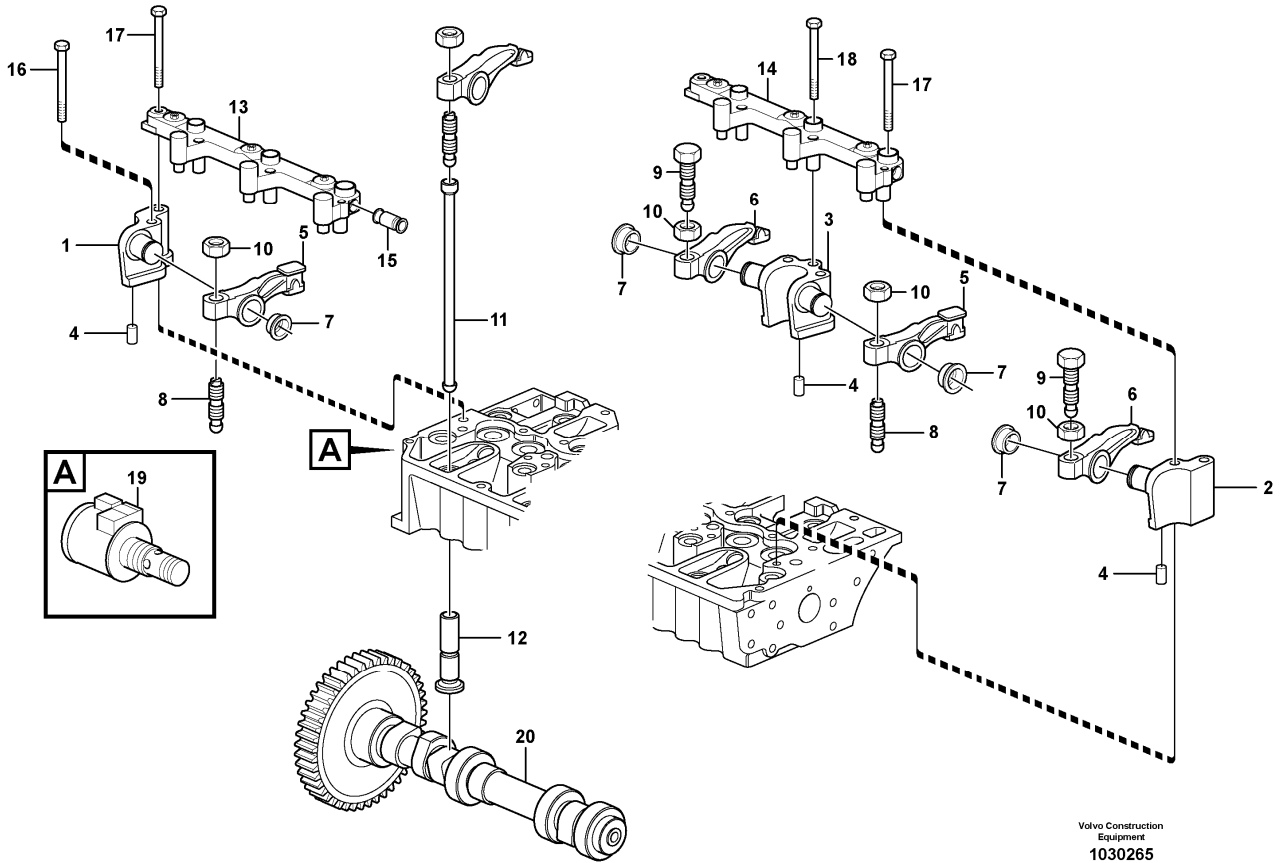
Volvo Construction  
Equipment  
1019005

Section option	Kit	Option description
VOE8279626		Engine with Epa label EMISSION CERTIFICATED FROM EU&EPA

Q1-Q5	Option	Option description	
Q1 8279626	VOE8279626	Engine with Epa label EMISSION CERTIFICATED FROM EU&EPA	

Pos	Part	Q1	Q2	Q3	Q4	Q5	PS	Kit	Description	Option(s)	Remark
	VOE20865990	6							Cyl Liner Kit		
1		6							•Piston		
2	VOE20405577	6							••Gudgeon pin		
3	VOE20405576	12							••Retaining ring		
4	VOE21299547	6							••Piston ring kit		(VOE20450775)
5		6							•Cylinder Liner		
6	VOE20412762	12							••O-ring		

Date: <b>2013/11/19</b>	Image id: <b>1030265</b>	Catalogue: <b>20098</b>	Model: <b>EC240C L</b>
Brand: <b>Volvo</b>	Serial: <b>110001-, 120001-</b>	Group/Section: <b>214/100</b>	Title: <b>Valve mechanism</b>



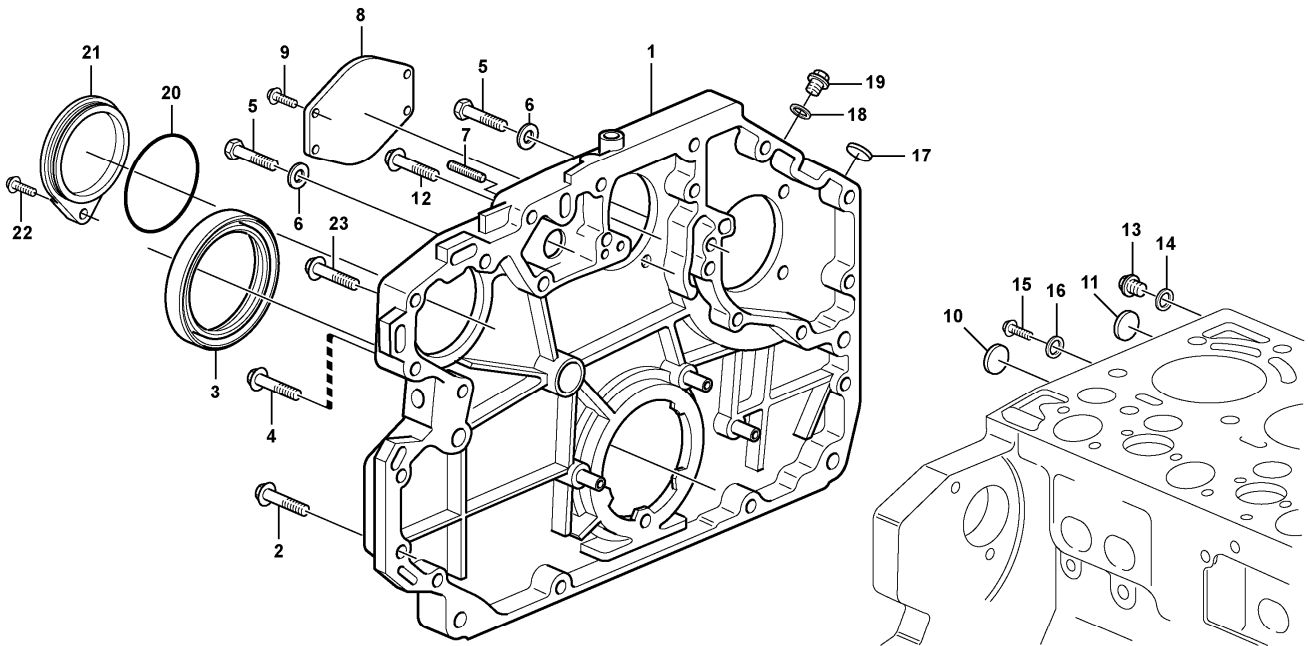
Section option	Kit	Option description
VOE8279626		Engine with Epa label EMISSION CERTIFICATED FROM EU&EPA

Q1-Q5	Option	Option description	
Q1 8279626	VOE8279626	Engine with Epa label EMISSION CERTIFICATED FROM EU&EPA	

Pos	Part	Q1	Q2	Q3	Q4	Q5	PS	Kit	Description	Option(s)	Remark
1	VOE20794124	1							Bracket		(VOE21066484)
2	VOE20826696	1							Bracket		(VOE21066474)
3	VOE20793045	5							Bracket		(VOE21066482)
4	VOE20790837	7							Pin		
5	VOE20792878	6							Rocker Arm		
6	VOE21448926	6							Rocker arm		(VOE20792876)
7	VOE20794115	12							Retaining ring		
8	VOE20913851	6							Adjusting Screw		
9	VOE20816389	6							Adjusting Screw		



Date: <b>2013/11/19</b>	Image id: <b>1019841</b>	Catalogue: <b>20098</b>	Model: <b>EC240C L</b>
Brand: <b>Volvo</b>	Serial: <b>110001-, 120001-</b>	Group/Section: <b>215/100</b>	Title: <b>Timing gear casing</b>



Volvo Construction  
Equipment  
1019841

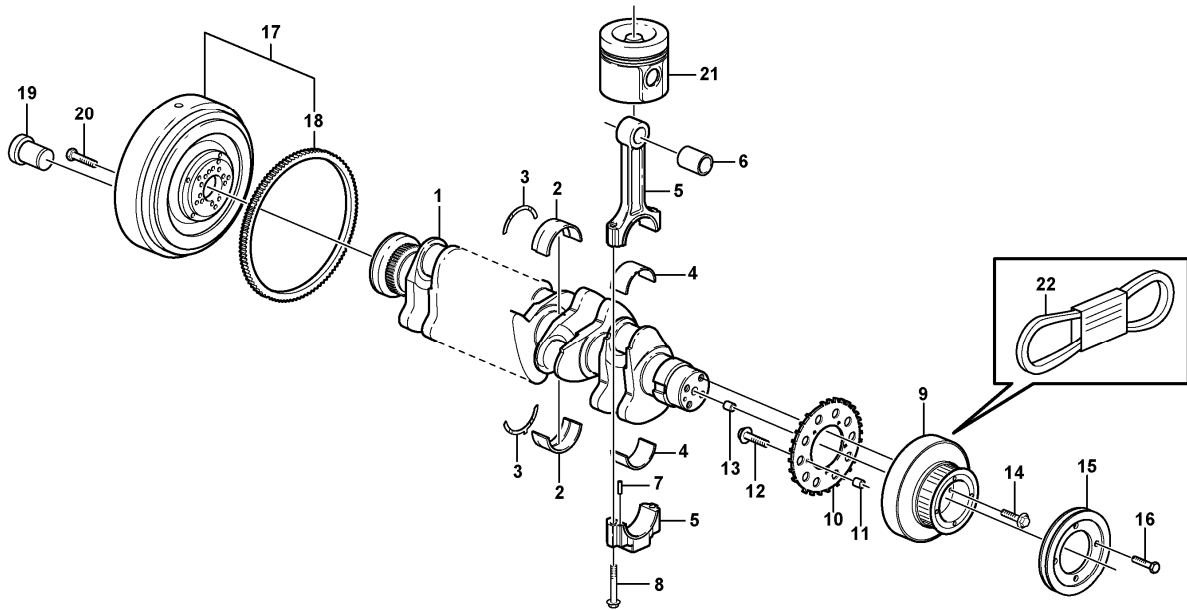
Section option	Kit	Option description
VOE8279626		Engine with Epa label EMISSION CERTIFICATED FROM EU&EPA

Q1-Q5	Option	Option description	
Q1 8279626	VOE8279626	Engine with Epa label EMISSION CERTIFICATED FROM EU&EPA	

Pos	Part	Q1	Q2	Q3	Q4	Q5	PS	Kit	Description	Option(s)	Remark
1	VOE20972356	1							Timing gear casing		
2	VOE20412324	12							Screw		
3	VOE20412286	1							Sealing ring		
4	VOE20405709	4							Screw		
5	VOE20534597	2							Screw		
6	VOE13955900	2							Washer		
7	VOE20450795	1							Set screw		
8	VOE20450799	1							Cover		
9	VOE20405709	4							Screw		

10	VOE20412745	1							Core plug		
11	VOE20490808	1							Cover		
12	VOE20450801	1							Screw		
13	VOE20451012	1							Screw		
14	VOE13947621	1							Plane gasket		
15	VOE20405898	1							Screw		
16	VOE20460087	1							Washer		
17	VOE20405605	1							Cover		
18	VOE13947621	1							Plane gasket		
19	VOE20451012	1							Screw		
20	VOE20405652	1							Sealing ring		
21	VOE20950063	1							Cover		
22	VOE20450802	1							Screw		
23	VOE20405709	1							Screw		

Date: <b>2013/11/19</b>	Image id: <b>1019575</b>	Catalogue: <b>20098</b>	Model: <b>EC240C L</b>
Brand: <b>Volvo</b>	Serial: <b>110001-, 120001-</b>	Group/Section: <b>216/100</b>	Title: <b>Crankshaft and related parts</b>



Volvo Construction  
Equipment  
1019575

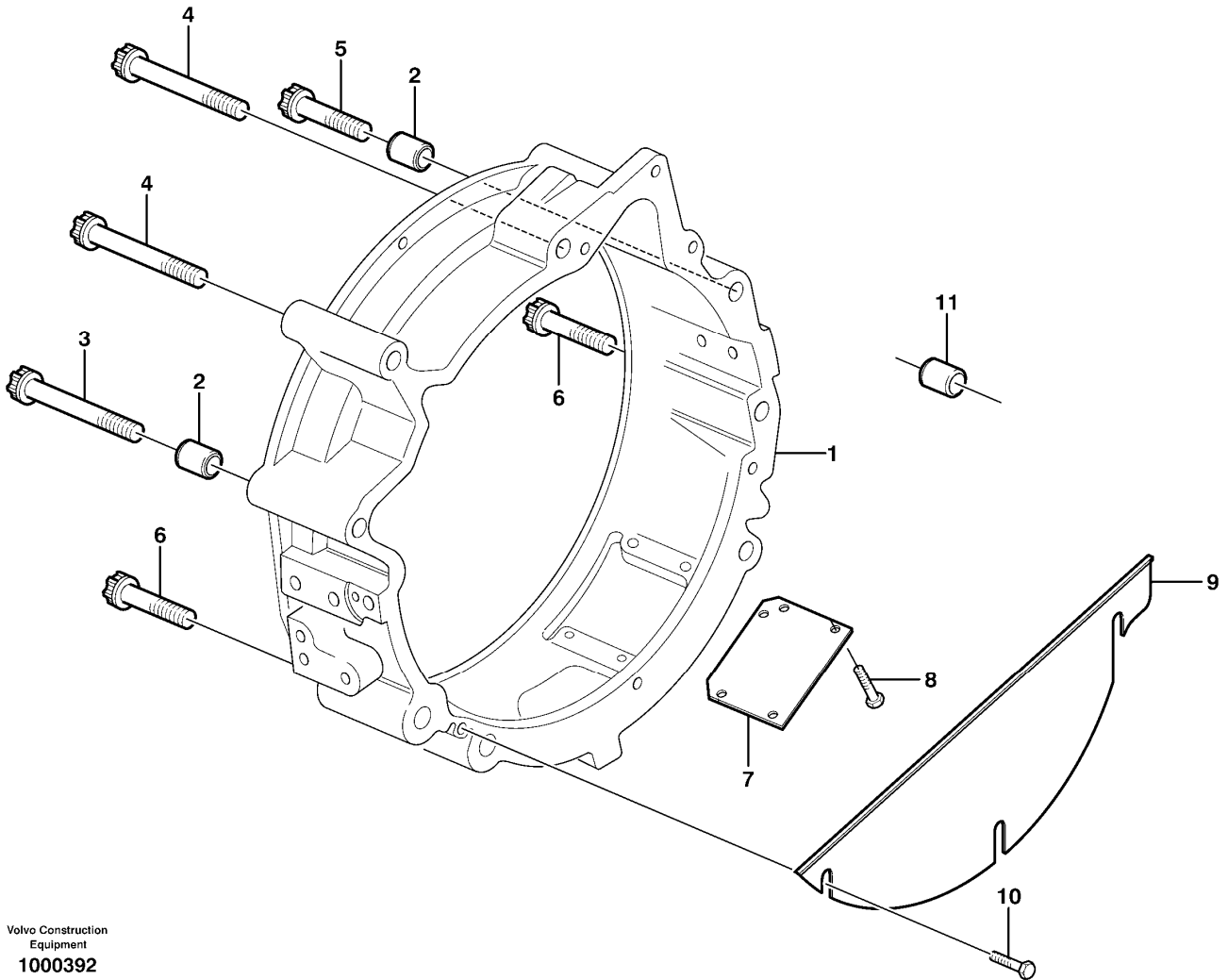
Section option	Kit	Option description
VOE8279626		Engine with Epa label EMISSION CERTIFICATED FROM EU&EPA

Q1-Q5	Option	Option description
Q1 8279626	VOE8279626	Engine with Epa label EMISSION CERTIFICATED FROM EU&EPA

Pos	Part	Q1	Q2	Q3	Q4	Q5	PS	Kit	Description	Option(s)	Remark
1	VOE21245957	1							Crankshaft		(VOE20875042)
2	VOE21141948	7							Main bearing		(VOE20405516)STD = 85.00mm
	VOE21234191	REQ							Main bearing		(VOE20405529)U SZ = 84.75mm
	VOE20405541	REQ							Main bearing		U SZ = 84.50mm
3	VOE21141955	1							Raceway washer		STD = 2.9mm
	VOE21141963	REQ							Raceway washer		(VOE11700315)O SZ = 3.1mm
4	VOE20766790	6							Big-end Bearing		STD = 68.00mm

	VOE20790423	REQ							Big-end Bearing		U SZ = 67.75mm
	VOE20790428	REQ							Big-end Bearing		U SZ = 67.50mm
5	VOE20585982	6							Connecting Rod		
6	VOE11700325	6							•Bushing		
7	VOE20459134	12							•Pin		
8	VOE11700326	12							•Bolt		
9	VOE20798543	1							Vibration Dampe		
10	VOE20798548	1							•Lock Washer		
11	VOE20450628	1							•Pin		
12	VOE20798554	5							•Bolt		
13	VOE20450838	1							Pin		
13	VOE20405634	1							Spring pin		
14	VOE20405724	4							Screw		
15	VOE20459155	1							Pulley		
16	VOE20459156	4							Screw		
17	VOE20527044	1							Flywheel		
18	VOE21033328	1							•Gear Ring		
19	VOE20405643	5							Plug		
20	VOE20405654	10							Bolt		
21		6							Piston Kit		See ref 213/100
22		1							V-ribbed Belt		See ref 263/100

Date: <b>2013/11/19</b>	Image id: <b>1000392</b>	Catalogue: <b>20098</b>	Model: <b>EC240C L</b>
Brand: <b>Volvo</b>	Serial: <b>110001-, 120001-</b>	Group/Section: <b>216/200</b>	Title: <b>Flywheel housing</b>



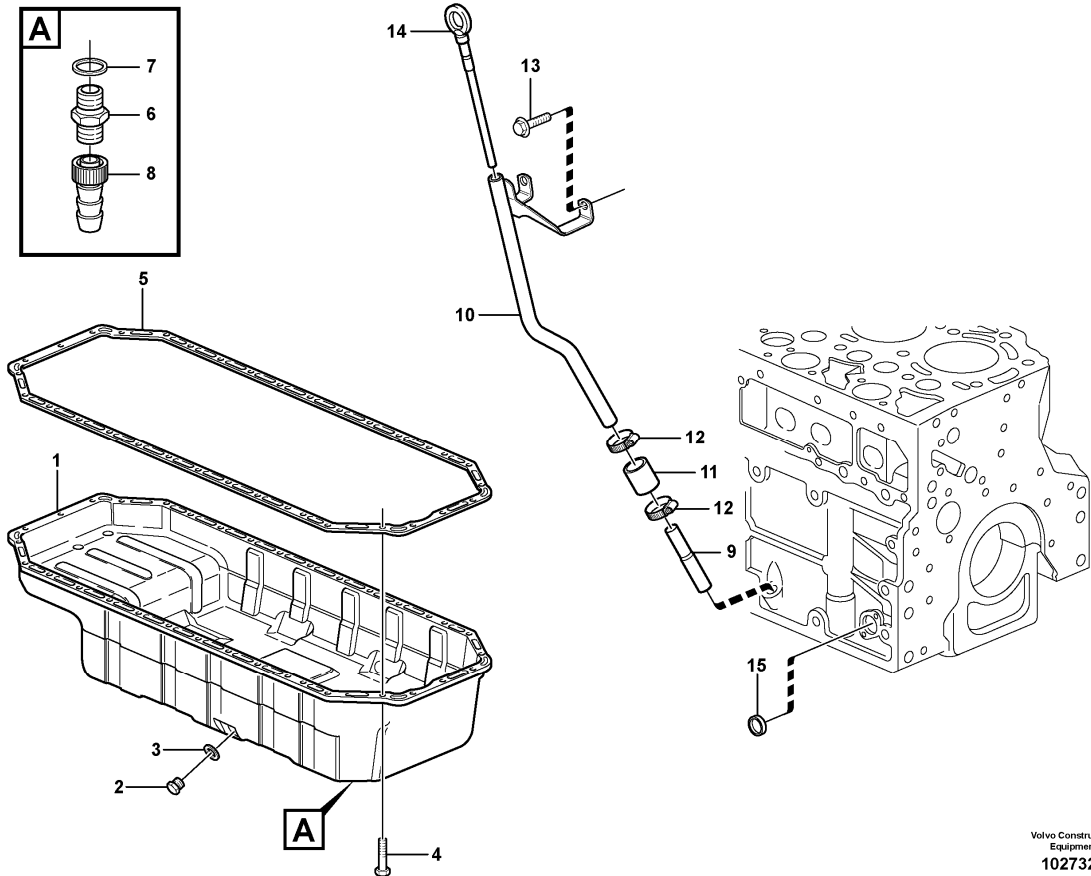
Section option	Kit	Option description
VOE8279626		Engine with Epa label EMISSION CERTIFICATED FROM EU&EPA

Q1-Q5	Option	Option description
Q1 8279626	VOE8279626	Engine with Epa label EMISSION CERTIFICATED FROM EU&EPA

Pos	Part	Q1	Q2	Q3	Q4	Q5	PS	Kit	Description	Option(s)	Remark
1	VOE20450790	1							Flywheel housing		
2	VOE20405887	2							Bushing		(VOE11700592)
3	VOE20405714	1							Screw		
4	VOE20405715	2							Screw		
5	VOE20405713	1							Screw		



Date: <b>2013/11/19</b>	Image id: <b>1027325</b>	Catalogue: <b>20098</b>	Model: <b>EC240C L</b>
Brand: <b>Volvo</b>	Serial: <b>110001-, 120001-</b>	Group/Section: <b>217/100</b>	Title: <b>Oil sump</b>



Volvo Construction  
Equipment  
1027325

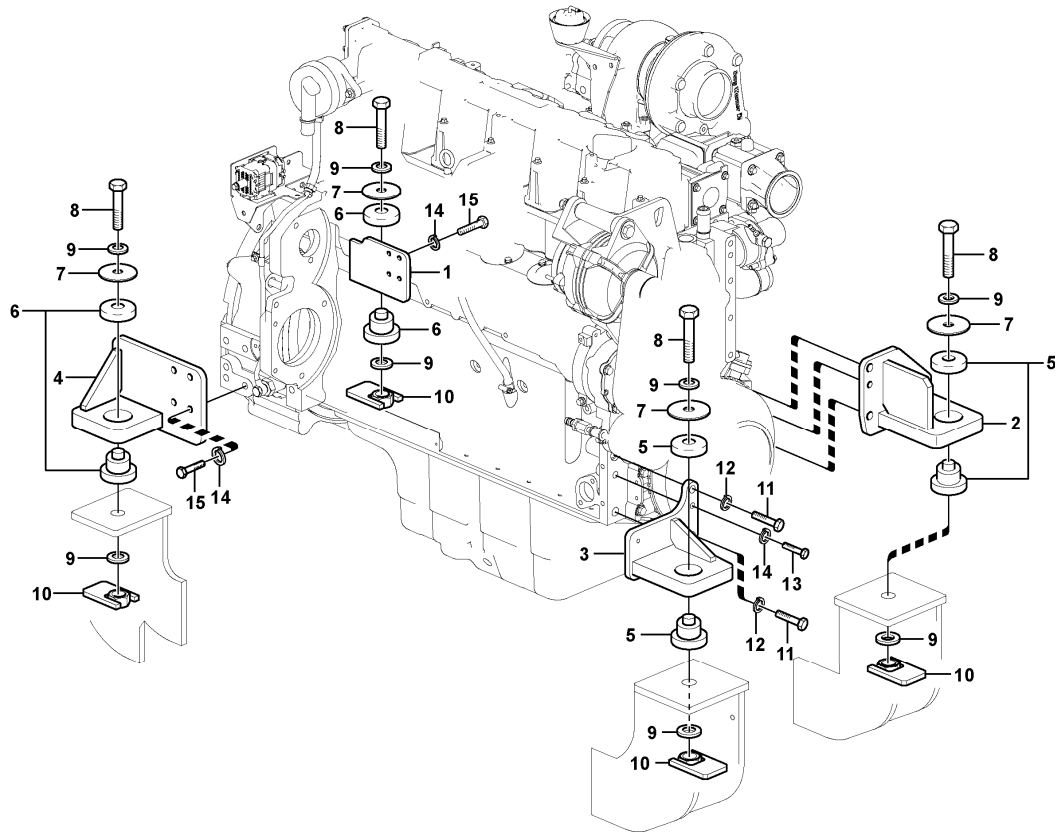
Section option	Kit	Option description
VOE8279626		Engine with Epa label EMISSION CERTIFICATED FROM EU&EPA

Q1-Q5	Option	Option description	
Q1 8279626	VOE8279626	Engine with Epa label EMISSION CERTIFICATED FROM EU&EPA	

Pos	Part	Q1	Q2	Q3	Q4	Q5	PS	Kit	Description	Option(s)	Remark
1	VOE20820918	1							Oil Pan		(VOE21099682)
2	VOE20460024	2							•Plug		
3	VOE20460026	2							•Sealing ring		
4	VOE20405792	34							Screw		
5	VOE20405915	1							Gasket		
6	VOE20450851	1							Drain valve		
7	VOE13947624	1							Plane gasket		
8	VOE20478246	1							Hose		
9	VOE20450869	1							Guide tube		

10	VOE21001185	1							Guide Tube		
11	VOE20450861	1							Sleeve		
12	VOE20405664	2							Clip		
13	VOE20405729	2							Screw		
14	VOE21184833	1							Dipstick		(VOE20450877)
15	VOE20412745	1							Core plug		

Date: <b>2013/11/19</b>	Image id: <b>1022105</b>	Catalogue: <b>20098</b>	Model: <b>EC240C L</b>
Brand: <b>Volvo</b>	Serial: <b>110001-, 120001-</b>	Group/Section: <b>218/100</b>	Title: <b>Engine mount</b>



Volvo Construction  
Equipment  
1022105

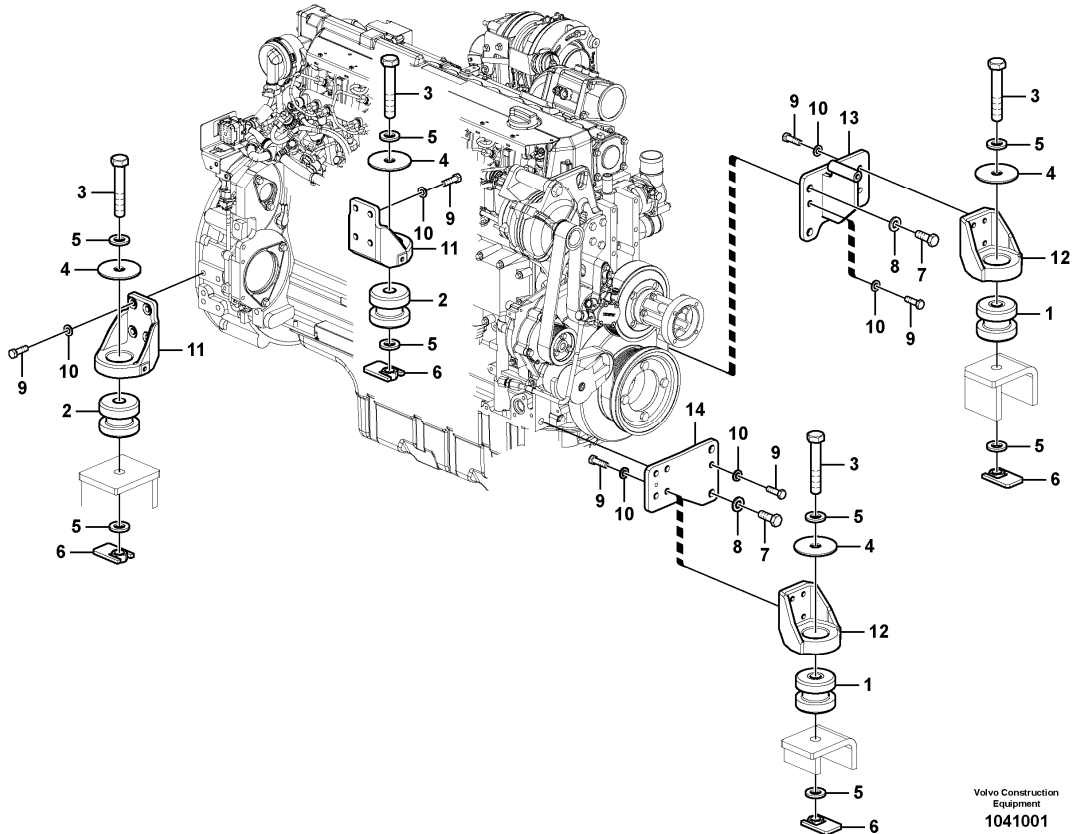
Section option	Kit	Option description
VOE8287584		Basic Machine EC240C

Q1-Q5	Option	Option description	
Q1 8287584 S/N -110870	VOE8287584	Basic Machine EC240C	

Pos	Part	Q1	Q2	Q3	Q4	Q5	PS	Kit	Description	Option(s)	Remark
1	VOE14537425	1							Bracket		
2	VOE14531495	1							Bracket		
3	VOE14531496	1							Bracket		
4	VOE14537426	1							Bracket		
5	VOE14528380	2							Cushion		
6	VOE14528381	2							Cushion		
7	VOE14526169	4							Plate		
8	SA9011-22221	4							Hexagon screw		



Date: <b>2013/11/19</b>	Image id: <b>1041001</b>	Catalogue: <b>20098</b>	Model: <b>EC240C L</b>
Brand: <b>Volvo</b>	Serial: <b>110001-, 120001-</b>	Group/Section: <b>218/110</b>	Title: <b>Engine mounting</b>



Section option	Kit	Option description
VOE8287584		Basic Machine EC240C

Q1-Q5	Option	Option description	
Q1 8287584 S/N 110871-	VOE8287584	Basic Machine EC240C	

Pos	Part	Q1	Q2	Q3	Q4	Q5	PS	Kit	Description	Option(s)	Remark
1	VOE14528380	2							Cushion		
2	VOE14528381	2							Cushion		
3	VOE992992	4							Screw		
4	VOE14526169	4							Plate		
5	VOE9211-22000	8							Lifting eye		
6	VOE14512933	4							Nut		
7	VOE978937	4							Hexagon screw		
8	VOE992045	4							Plain washer		





**Suggest:**

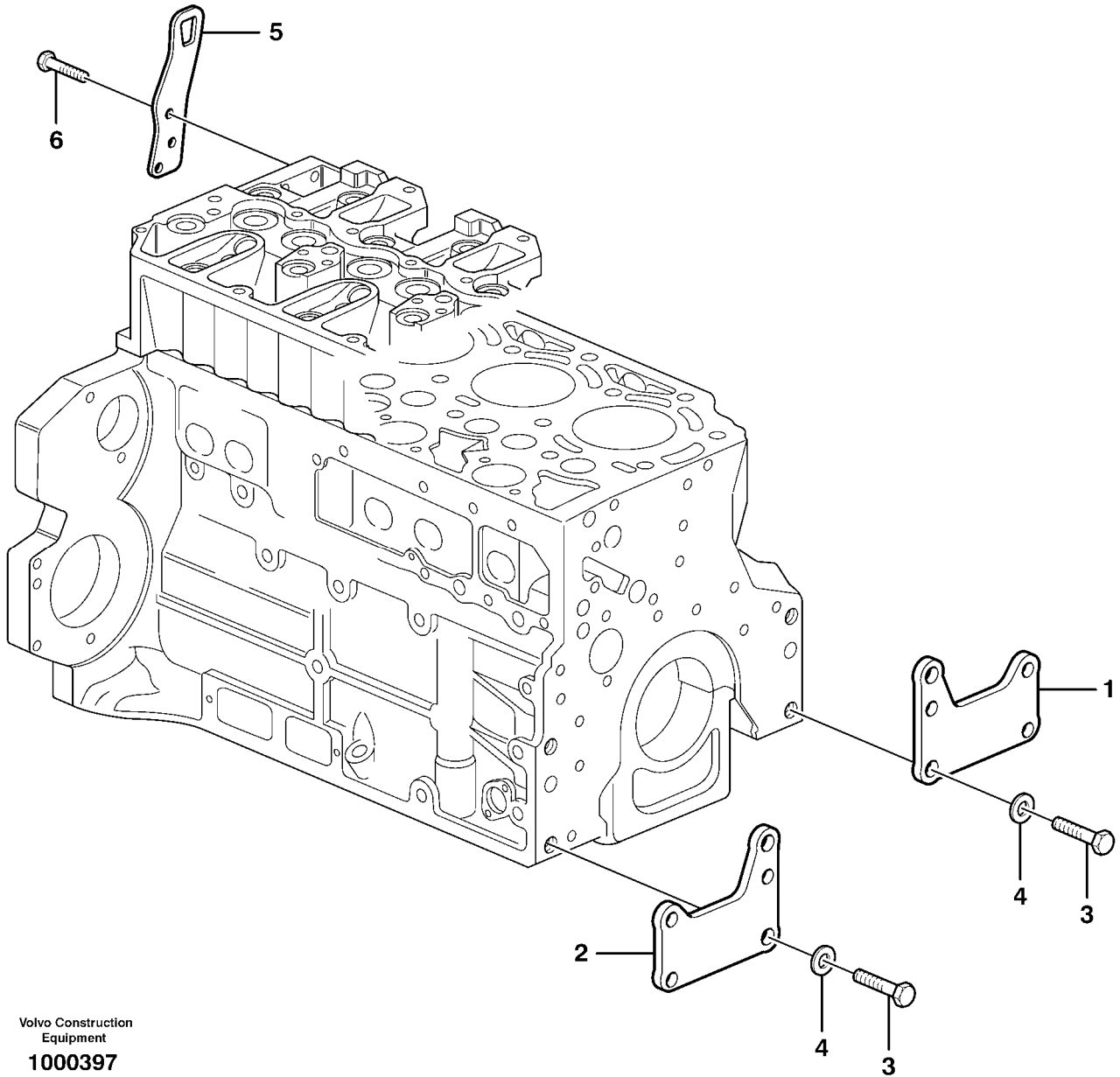
**For more complete manuals. Please go to the home page.**

**<https://www.ebooklibonline.com>**

**If the above button click is invalid. Please download this document first, and then click the above link to download the complete manual.**

**Thank you so much for reading**

Date: <b>2013/11/19</b>	Image id: <b>1000397</b>	Catalogue: <b>20098</b>	Model: <b>EC240C L</b>
Brand: <b>Volvo</b>	Serial: <b>110001-, 120001-</b>	Group/Section: <b>218/200</b>	Title: <b>Engine mounting</b>



Section option	Kit	Option description
VOE8279626		Engine with Epa label EMISSION CERTIFICATED FROM EU&EPA

Q1-Q5	Option	Option description	
Q1 8279626	VOE8279626	Engine with Epa label EMISSION CERTIFICATED FROM EU&EPA	

Pos	Part	Q1	Q2	Q3	Q4	Q5	PS	Kit	Description	Option(s)	Remark
1	VOE20723978	1							Bracket		



**<https://www.ebooklibonline.com>**

Hello dear friend!

Thank you very much for reading.

Enter the link into your browser.

The full manual is available for immediate download.

**<https://www.ebooklibonline.com>**