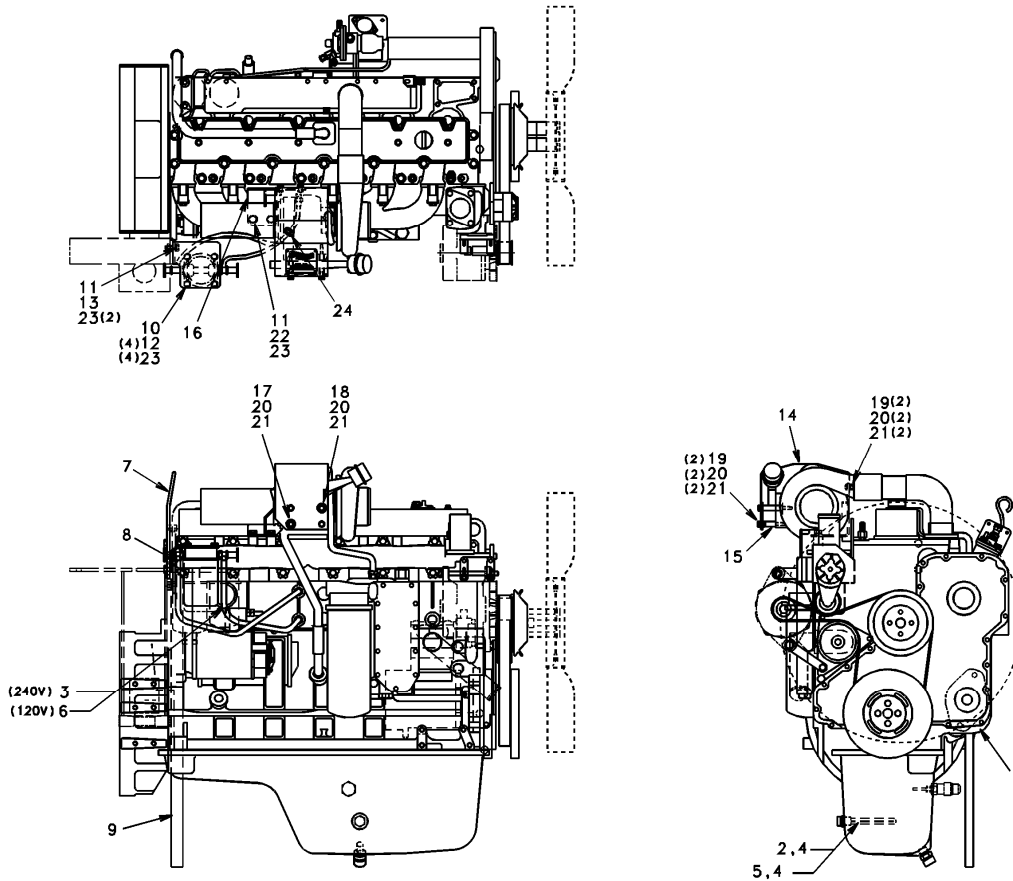


Date: 2013/11/16	Image id: 1005747	Catalogue: 56118	Model: EC240
Brand: Volvo	Serial: 3001-9999	Group/Section: 210/100	Title: Engine



Volvo Construction
Equipment
1005747

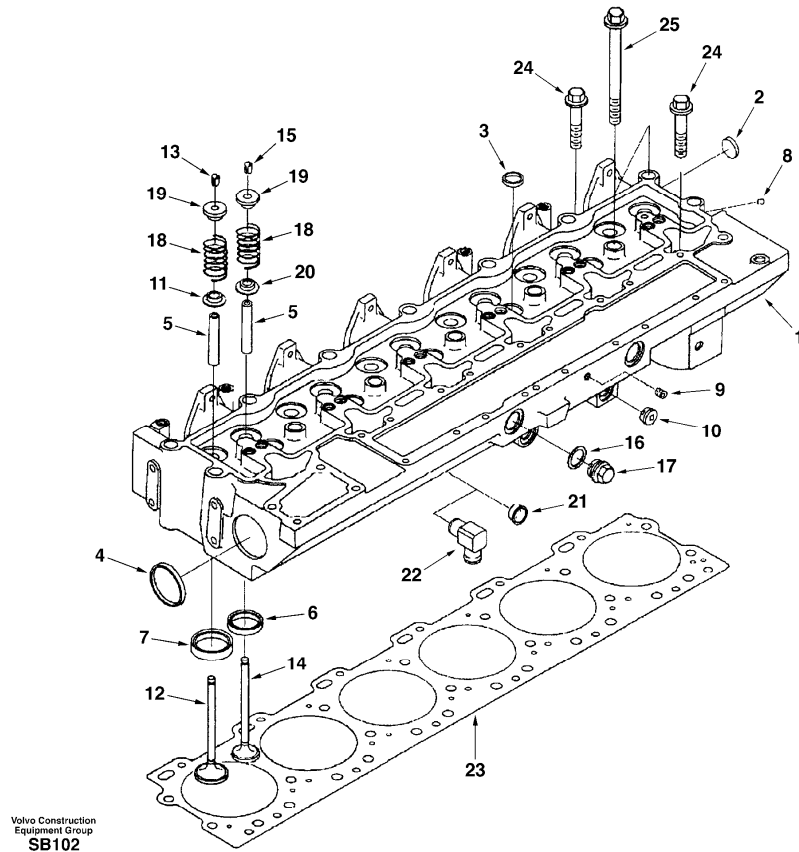
Section option	Kit	Option description
SADE04B001		Without air pre-heater for engine
SADE04B002		Air heater for engine
SADE04C001		Engine block heater 120V
SADE04C002		Engine block heater 240V
SADE11A002		Anti-slip treads without Engine room maintenance

Q1-Q5	Option	Option description	
Q1 DE04B001	SADE04B001	Without air pre-heater for engine	
Q2 DE04B002	SADE04B002	Air heater for engine	
Q3 DE04C001	SADE04C001	Engine block heater 120V	
Q4 DE04C002	SADE04C002	Engine block heater 240V	
Q5 DE11A002	SADE11A002	Anti-slip treads without Engine room maintenance	

Pos	Part	Q1	Q2	Q3	Q4	Q5	PS	Kit	Description	Option(s)	Remark
1	SA1111-00302	1							Engine		TROPICAL

	SA1111-00052		1					Engine		STANDARD
2	SA2011-00450				1			Heater		240V
3	SA2011-00510				1			Heater		
4	SA9426-20080			1	1			Gasket		
5	SA2011-00460			1				Heater		120V
6	SA2011-00520			1				Heater		
7	SA1111-00561		1					Bracket		
8	SA9312-10175	1	1					Clamp		
9	SA9952-26020	1	1					Hose		
10	SA1111-00171	1	1					Bracket		SER NO 3001-3410
	SA14507205	1	1				NS	Bracket		SER NO 3411-
11	SA9011-11004	1	1			2	SS	Bolt		
12	SA9081-11607	4	4					Bolt		SER NO 3001-3324
13	SA9011-11006	1	1				SS	Bolt		
14	SA1111-00360					1		Screen		
15	SA1111-00370					1		Bracket		
16	SA1111-00381					1		Bracket		
17	SA9011-20815					1		Bolt		
18	SA9011-20811					1		Bolt		
19	SA9011-10803					4	SS	Bolt		
20	SA9211-08000	6						Washer		SER NO 3001-3324
	SA9211-08000					4		Washer		SER NO 3001-
21	SA9213-08000					6	SS	Washer		
22	SA9211-10000					2		Washer		
23	SA9213-10000	2					SS	Spring Washer		SER NO 3325-
	SA9213-10000		8				SS	Spring Washer		SER NO 3001-3324
	SA9213-10000		2				SS	Spring Washer		SER NO 3325-
	SA9213-10000					2	SS	Spring Washer		
24	SA9314-02100	2	2					Strip Clamp		SER NO 3325-

Date: 2013/11/16	Image id: SB102	Catalogue: 56118	Model: EC240
Brand: Volvo	Serial: 3001-9999	Group/Section: 211/100	Title: Cylinder head



Pos	Part	Q1	Q2	Q3	Q4	Q5	PS	Kit	Description	Option(s)	Remark
1	SA3802465	1							Head		
2	SA3920443	1							•Plug		
3	SA3032693	5							•Plug		
4	SA3922072	2							•Plug		
5	SA3925863	12							•Guide		
6	SA3928174	6							•Valve		EXHAUST
7	SA3924582	6							•Insert		INLET
8	SA3008464	1							•Plug		
9	SA3008466	1							•Plug		
10	SA3008468	1							•Tube plug		
11	SA3915707	6							•Sealing		INLET
12	SA3802463	6							•Valve		
	SA3924492	6					SS		••Valve		
13	SA3901177	12							••Collet		
14	SA3802085	6							•Valve		

<https://www.ebooklibonline.com>

Hello dear friend!

Thank you very much for reading.

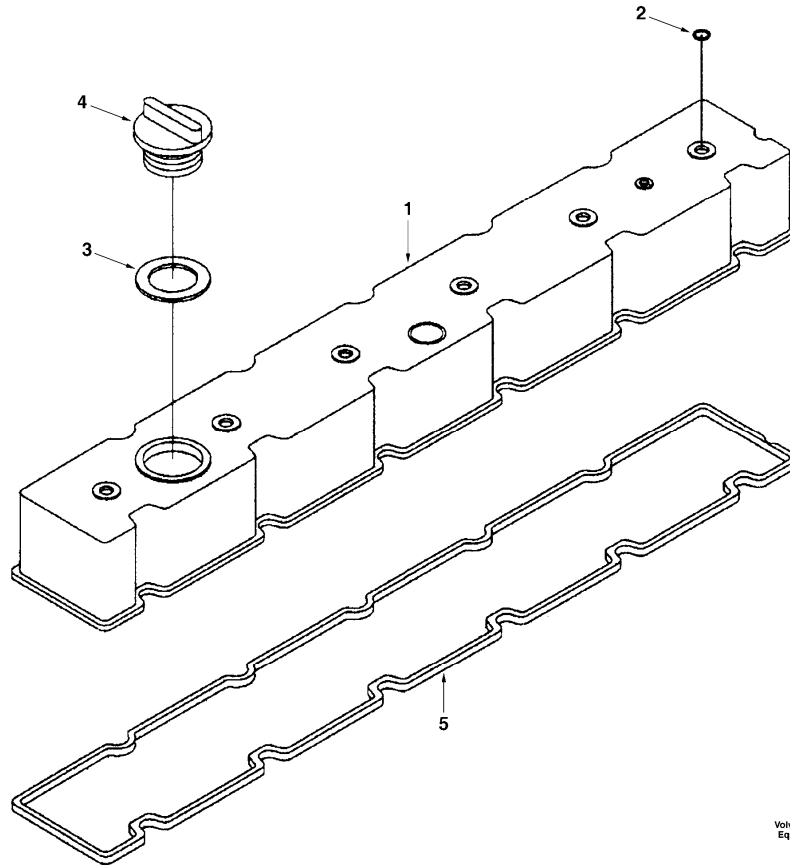
Enter the link into your browser.

The full manual is available for immediate download.

<https://www.ebooklibonline.com>

	SA3921444	6					SS		••Valve		
15	SA3901177	12							••Collet		
16	SA3902425	2							•Washer		
17	SA3924148	2							•Plug		
18	SA3906412	12							•Spring		INLET,EXHAUST
19	SA3912976	12							•Retainer		
20	SA3919038	6							•Sealing		
21	SA3912900	1							•Plug		
22	SA3924138	1							•Clutch		
23	SA3931019	1							Gasket		
	SA3928180	1							Gasket		0.25MM OS
	SA3928181	1							Gasket		0.50MM OS
24	SA3917729	12							Cylinder bolt		
25	SA3917728	14							Bolt		

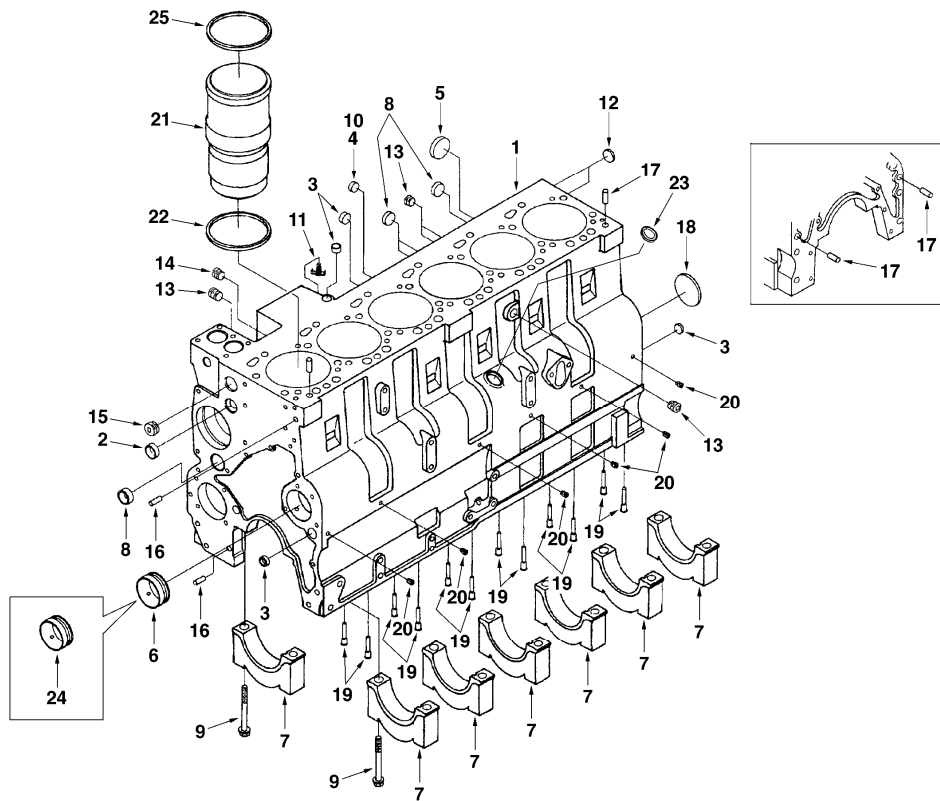
Date: 2013/11/16	Image id: SB103	Catalogue: 56118	Model: EC240
Brand: Volvo	Serial: 3001-9999	Group/Section: 211/200	Title: Valve cover



Volvo Construction
Equipment Group
SB103

Pos	Part	Q1	Q2	Q3	Q4	Q5	PS	Kit	Description	Option(s)	Remark
1	SA3927907	1					SS		Cover		
2	SA3282133	6					SS		O-ring		
3	SA3902466	1							Sealing		
4	SA3902468	1							Filler cap		
5	VOE11716080	1							Sealing		(SA3905449)

Date: 2013/11/16	Image id: SB104	Catalogue: 56118	Model: EC240
Brand: Volvo	Serial: 3001-9999	Group/Section: 212/100	Title: Cylinder block

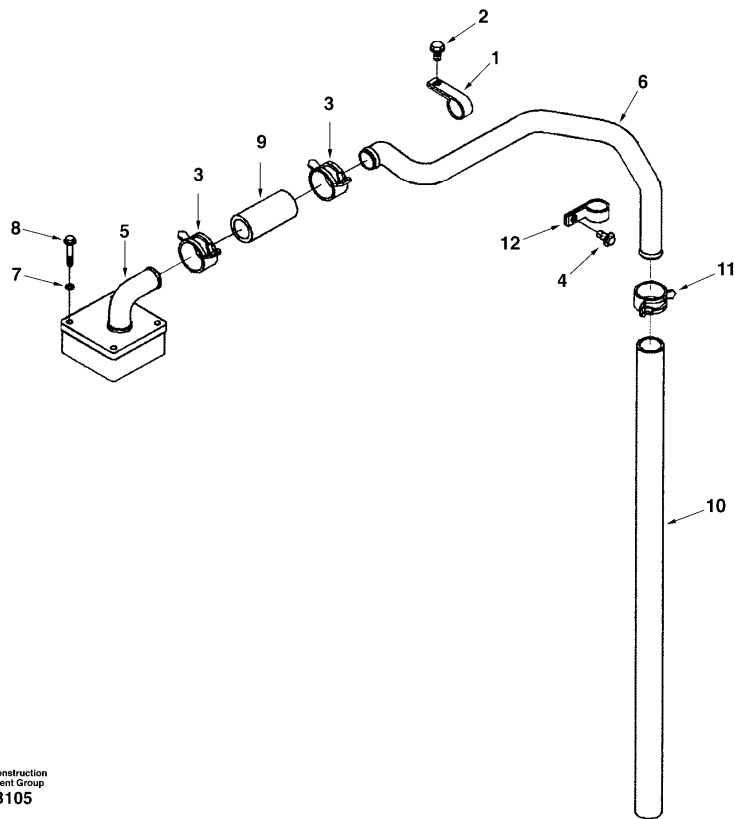


Volvo Construction
Equipment Group
SB104

Pos	Part	Q1	Q2	Q3	Q4	Q5	PS	Kit	Description	Option(s)	Remark
1	SA3802408	1							Block		
2	SA143066	1							•Plug		
3	SA3004258	4							•Plug		
4	SA156075	2							•Plug		
5	SA3900965	1					SS		•Plug		
6	SA3901685	7							•Bushing		
7	SA3917313	7							•Cap		
8	SA3905401	4							•Plug		
9	SA3916369	14							•Screw		
10	SA3802367	1							•Kit		SET-HARDWARE
	SA3812090	1					SS		••Plug		
11	SAS923E	1							••Shut-off Cock		
12	SA3920706	2							••Plug		
13	SA3008468	4							••Plug		
14	SA3008469	2							••Plug		

15	SA3008470	1							••Plug		
16	SA3900257	2							••Locating pin		
17	SA3901846	4							••Locating pin		
18	SA3901969	1							••Plug		
19	SA3919003	12					SS		••Nozzle		
20	SA3906619	6							••Plug		
21	SA3802407	6						K	Liner		
22	SA3907177	1					SS		•Seal		
23	SA3905401	1							Plug		
24	SA3908280	REQ							Bushing		OS CAMSHAFT
25	SA3914653	REQ							Shim		0.25MM OS
	SA3914654	REQ					SS		Shim		0.38MM OS
	SA3914655	REQ							Shim		0.50MM OS
100	SA3802403	6							Cylinder		CYLINDER KIT

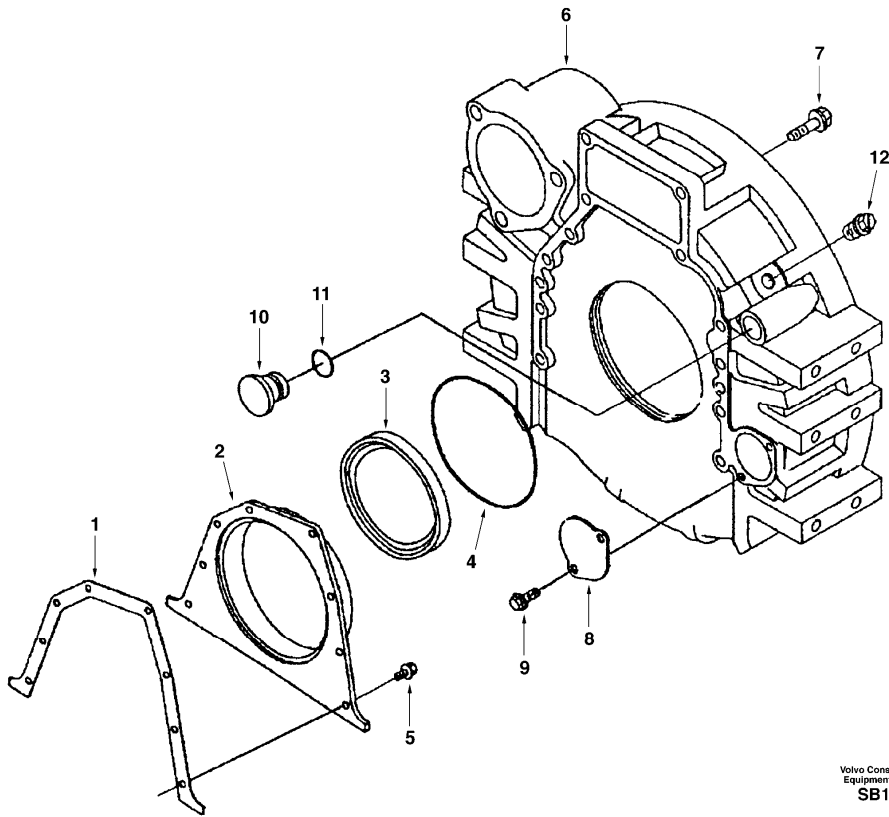
Date: 2013/11/16	Image id: SB105	Catalogue: 56118	Model: EC240
Brand: Volvo	Serial: 3001-9999	Group/Section: 212/200	Title: Crankcase ventilation



Volvo Construction
Equipment Group
SB105

Pos	Part	Q1	Q2	Q3	Q4	Q5	PS	Kit	Description	Option(s)	Remark
1	SA3018309	1							Clip		
2	SA3912072	1							Screw		
3	SA3925089	2							Clamp		
4	SA3901249	1							Screw		
5	SA3928772	1							Breather		
6	SA3930255	1							Pipe		
7	SA3930247	4							Washer		
8	SA3930248	4							Screw		
9	SA3930309	1							Hose		
10	SA9952-26019	1							Hose		
11	SA9312-00010	1							Clamp		
12	SA107460	1							Clip		

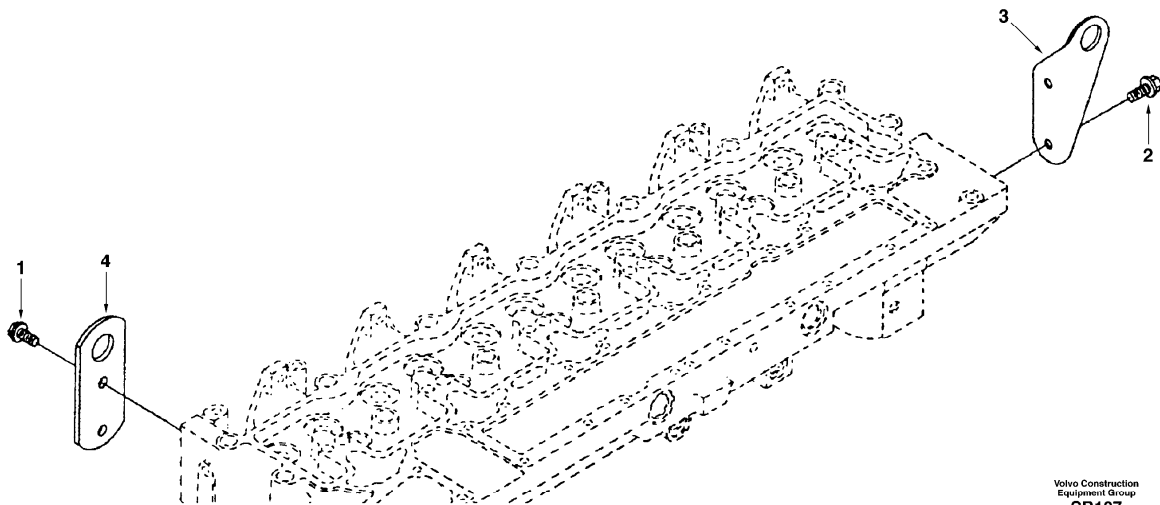
Date: 2013/11/16	Image id: SB106	Catalogue: 56118	Model: EC240
Brand: Volvo	Serial: 3001-9999	Group/Section: 212/300	Title: Flywheel housing



Volvo Construction
Equipment Group
SB106

Pos	Part	Q1	Q2	Q3	Q4	Q5	PS	Kit	Description	Option(s)	Remark
1	VOE11716094	1							Gasket		(SA3914301)
2	SA3921042	1					SS		Cover		
3	SA3926126	1							Seal		
4	SA3912473	1					SS		Seal		
5	SA3913638	8							Screw		
6	SA3908799	1							Flywheel Hsg		
7	SA3920447	12							Screw		
8	SA3925234	1							Plate		
9	SA3912072	2							Screw		
10	SA3910248	1							Plug		
11	SA3910260	1							Seal		
12	SA3904181	1							Plug		

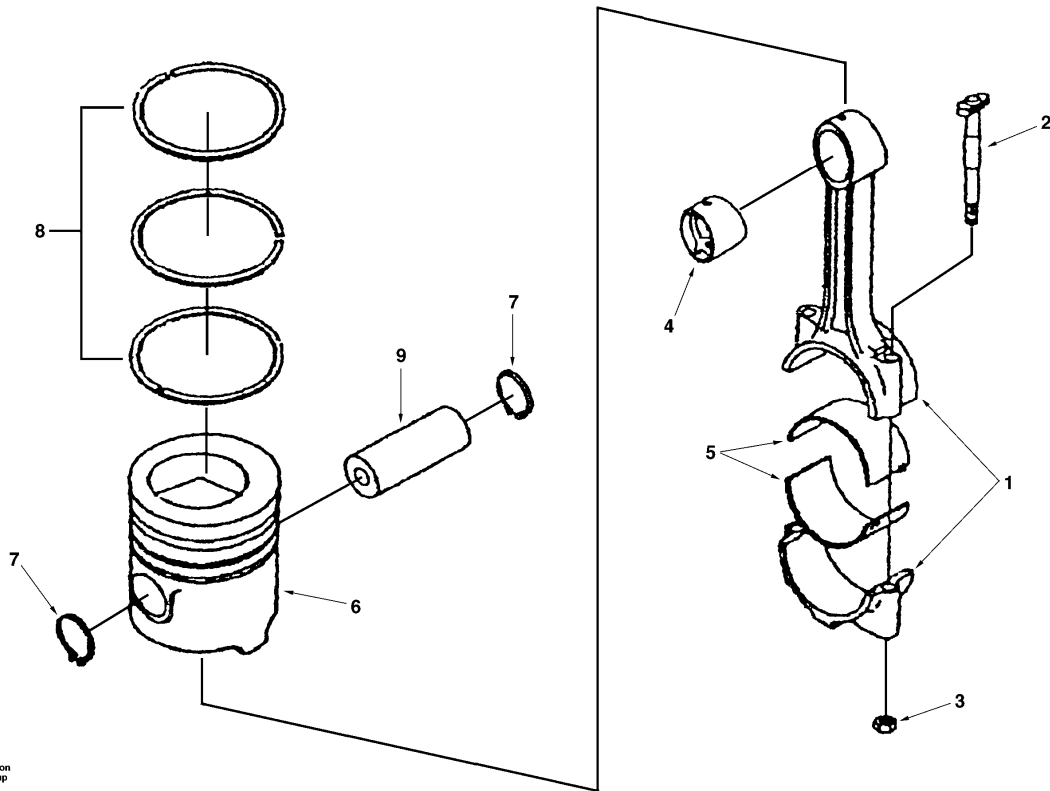
Date: 2013/11/16	Image id: SB107	Catalogue: 56118	Model: EC240
Brand: Volvo	Serial: 3001-9999	Group/Section: 212/500	Title: Lifting eye



Volvo Construction
Equipment Group
SB107

Pos	Part	Q1	Q2	Q3	Q4	Q5	PS	Kit	Description	Option(s)	Remark
1	SA3901249	2							Screw		
2	SA3903200	2							Screw		
3	SA1111-00561	1							Bracket		
4	SA3907861	1							Bracket		

Date: 2013/11/16	Image id: SB108	Catalogue: 56118	Model: EC240
Brand: Volvo	Serial: 3001-9999	Group/Section: 213/100	Title: Connecting rod and piston

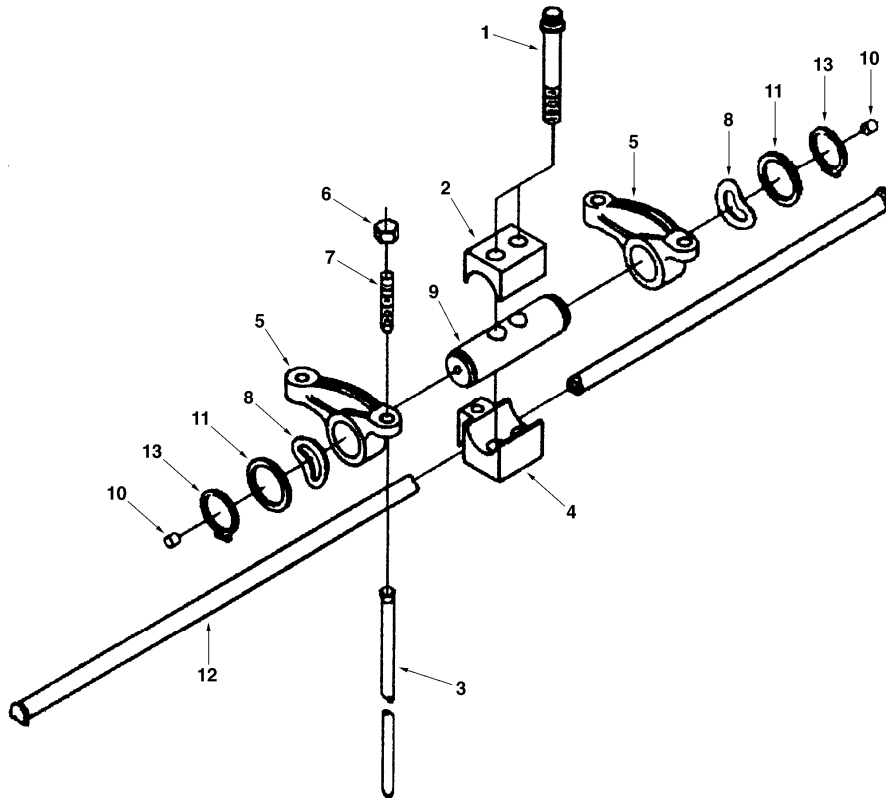


Volvo Construction
Equipment Group
SB108

Pos	Part	Q1	Q2	Q3	Q4	Q5	PS	Kit	Description	Option(s)	Remark
1	SA3901383	6							Connecting Rod		
	SA3924350	1					SS		•Connecting Rod		
2	SA3928870	2							•Bolt		
3	SA3901381	2					SS		•Nut		
4	SA3913990	1							•Bushing		
5	SA3901430	12							Bearing		STANDARD
	SA3901431	REQ							Bearing		0.010INCH OS
	SA3901432	REQ							Bearing		0.020INCH OS
	SA3901433	REQ							Bearing		0.030INCH OS
	SA3901434	REQ							Bearing		0.040INCH OS
6	SA3802397	6						K	Piston		
	SA3923163	1					OP		•Piston		
7	SA3901996	2							•Ring		
8	SA3802429	1							•Ring		STANDARD
9	SA3901597	6							Pin		

100	SA3802403	6							Cylinder		CYLINDER KIT
-----	-----------	---	--	--	--	--	--	--	----------	--	--------------

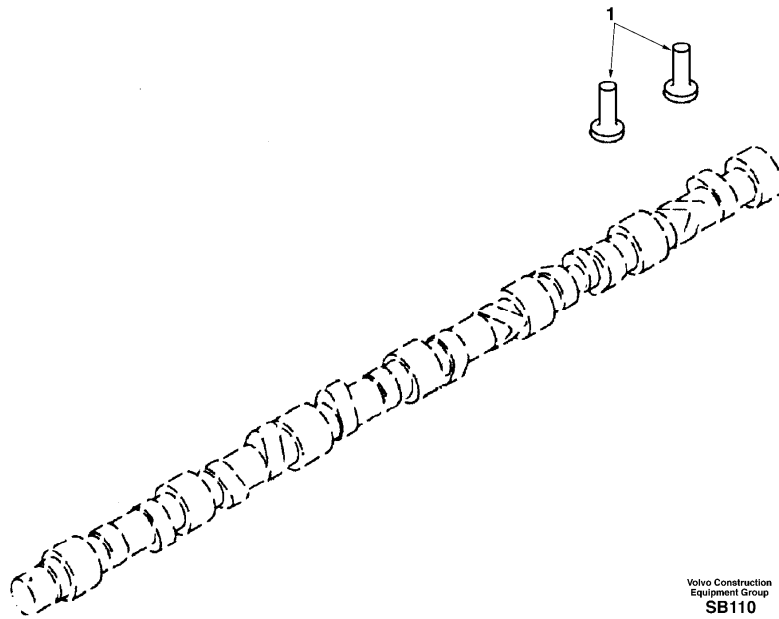
Date: 2013/11/16	Image id: SB109	Catalogue: 56118	Model: EC240
Brand: Volvo	Serial: 3001-9999	Group/Section: 214/200	Title: Rocker arm



Volvo Construction
Equipment Group
SB109

Pos	Part	Q1	Q2	Q3	Q4	Q5	PS	Kit	Description	Option(s)	Remark
1	SA3901617	12							Screw		
2	SA3901693	6							Clamp		
3	SA3905194	12							Rod		
4	SA3905870	6							Support		
5	SA3901717	12							Lever		
6	SA3927692	1							•Nut		
7	SA3934086	1							•Screw		
8	SA3906100	12							Washer		
9	SA3919435	6							Shaft		
10	SA3919434	2							•Rivet		
11	SA3907206	12							Washer		
12	SA3919677	1							Manifold		
13	SA3901764	12							Ring		

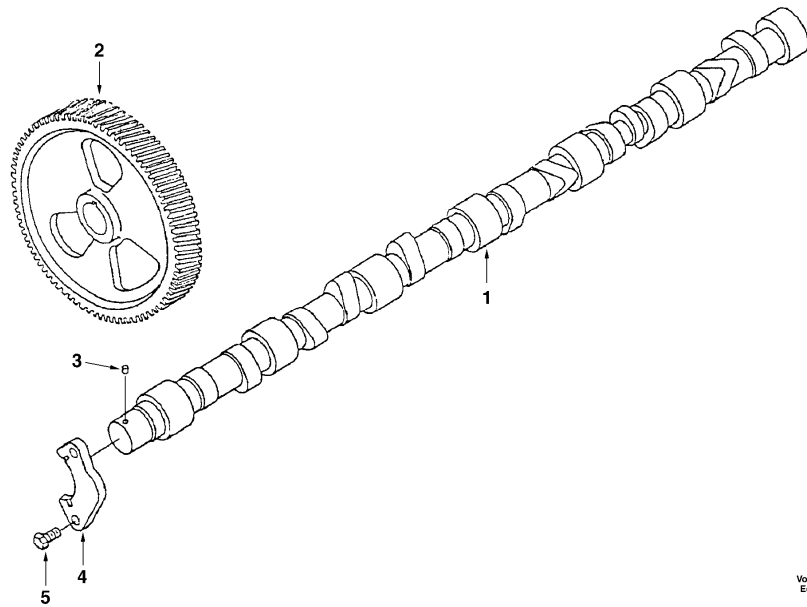
Date: 2013/11/16	Image id: SB110	Catalogue: 56118	Model: EC240
Brand: Volvo	Serial: 3001-9999	Group/Section: 214/300	Title: Valve tappet



Volvo Construction
Equipment Group
SB110

Pos	Part	Q1	Q2	Q3	Q4	Q5	PS	Kit	Description	Option(s)	Remark
1	SA3931623	12							Tappet		

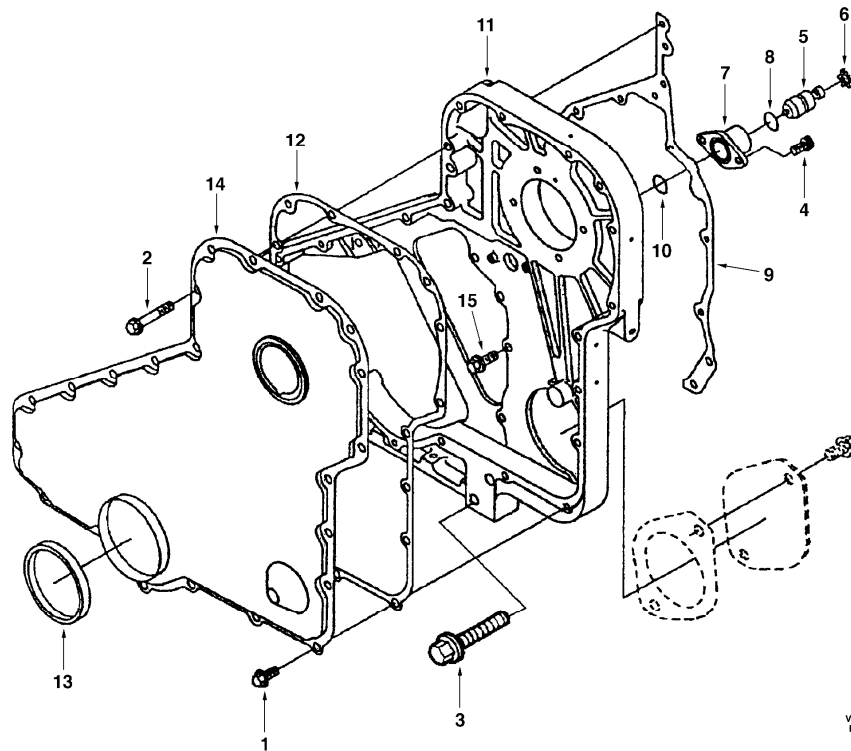
Date: 2013/11/16	Image id: SB111	Catalogue: 56118	Model: EC240
Brand: Volvo	Serial: 3001-9999	Group/Section: 215/100	Title: Camshaft



Volvo Construction
Equipment Group
SB111

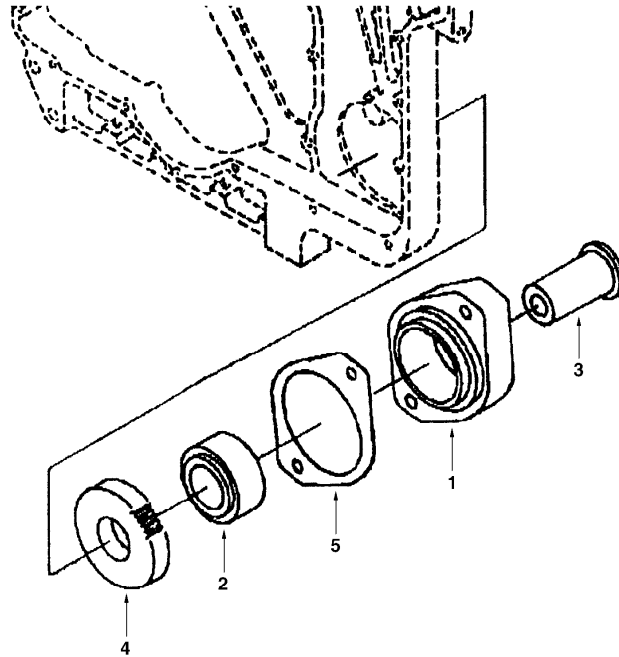
Pos	Part	Q1	Q2	Q3	Q4	Q5	PS	Kit	Description	Option(s)	Remark
1	SA3924471	1							Camshaft		
2	SA3918777	1							Gear		
3	SA3902332	1							Key		
4	SA3927155	1							Support		
5	SA3900227	2							Screw		

Date: 2013/11/16	Image id: SB112	Catalogue: 56118	Model: EC240
Brand: Volvo	Serial: 3001-9999	Group/Section: 215/200	Title: Timing gear casing



Pos	Part	Q1	Q2	Q3	Q4	Q5	PS	Kit	Description	Option(s)	Remark
1	SA3900629	16							Screw		
2	SA3900633	6							Screw		
3	SA3902116	4							Screw		
4	SA3907998	2							Screw		
5	SA3903924	1							Pin		
6	SA3904849	1							Ring		
7	SA3905933	1					SS		Cover		
8	SA3913994	1							Seal		
9	SA3914303	1					SS		Gasket		
10	SA3915772	1					SS		Seal		
11	SA3914945	1					SS		Housing		
12	VOE11716098	1							Gasket		(SA3917780)
13	SA3353977	1							Seal		
14	SA3916193	1					SS		Cover		
15	SA3900630	5							Screw		

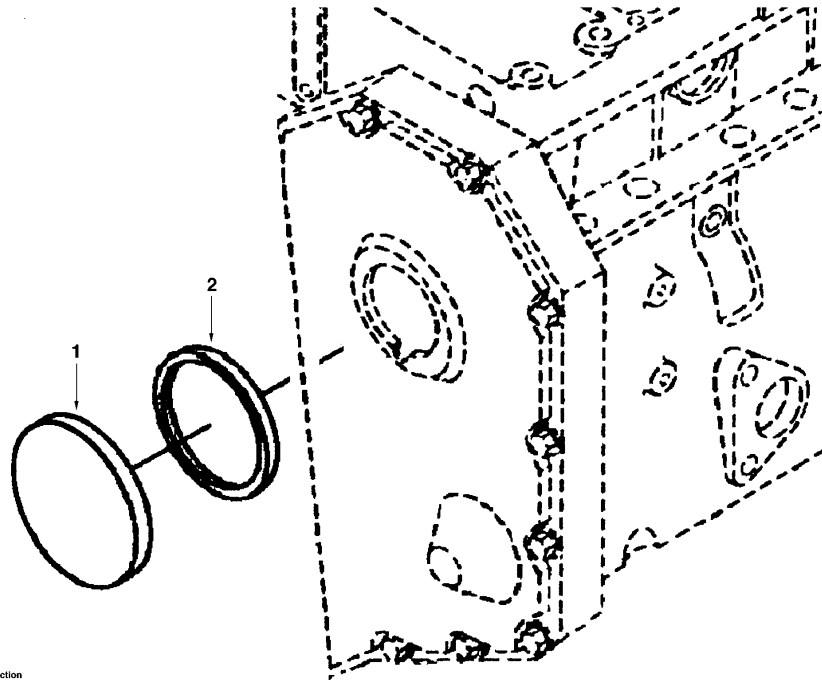
Date: 2013/11/16	Image id: SB113A	Catalogue: 56118	Model: EC240
Brand: Volvo	Serial: 3001-9999	Group/Section: 215/300	Title: Pump drive power take-off



Volvo Construction
Equipment Group
SB113A

Pos	Part	Q1	Q2	Q3	Q4	Q5	PS	Kit	Description	Option(s)	Remark
1	SA3924882	1							Drive Unit		
	SA3931088	1					SS		•Adapter		
2	SA3902601	1							•Roller bearing		
3	SA3923242	1							•Shaft		
4	SA3902595	1							•Gear		
5	SA3913287	1							Gasket		

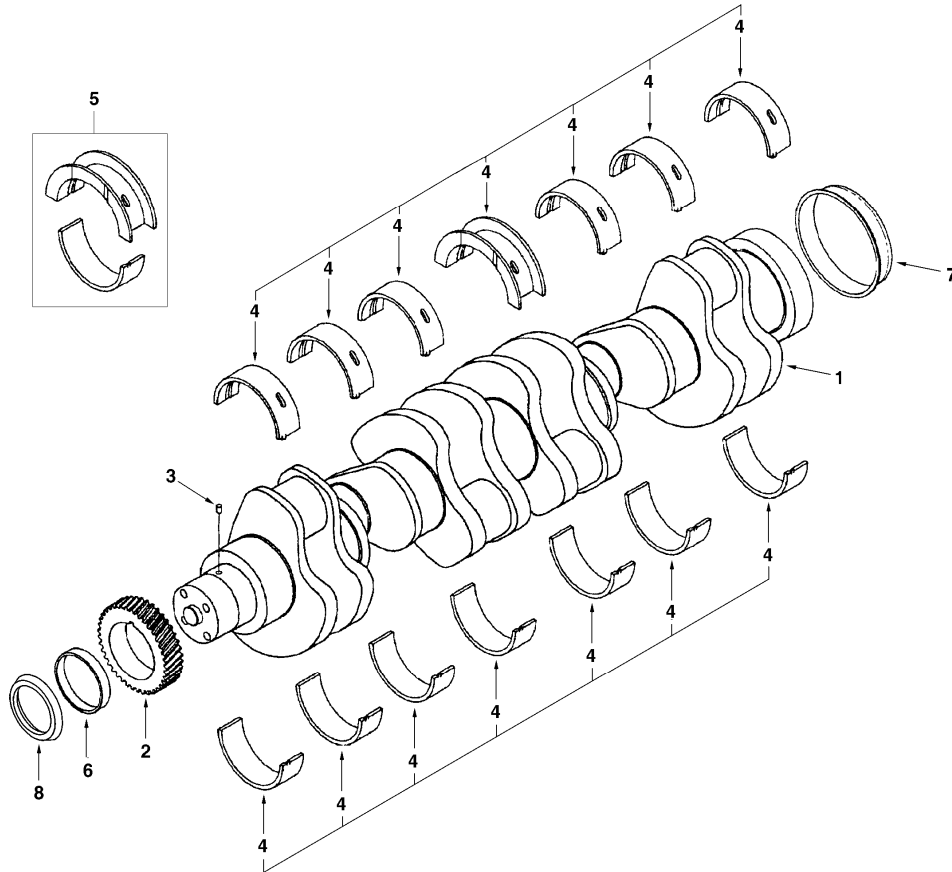
Date: 2013/11/16	Image id: SB115	Catalogue: 56118	Model: EC240
Brand: Volvo	Serial: 3001-9999	Group/Section: 215/500	Title: Tachometer drive cover



Volvo Construction
Equipment Group
SB115

Pos	Part	Q1	Q2	Q3	Q4	Q5	PS	Kit	Description	Option(s)	Remark
1	SA3903463	1							Cover		
2	SA3903475	1					SS		Seal		

Date: 2013/11/16	Image id: 1005837	Catalogue: 56118	Model: EC240
Brand: Volvo	Serial: 3001-9999	Group/Section: 216/100	Title: Crankshaft



Volvo Construction
Equipment
1005837

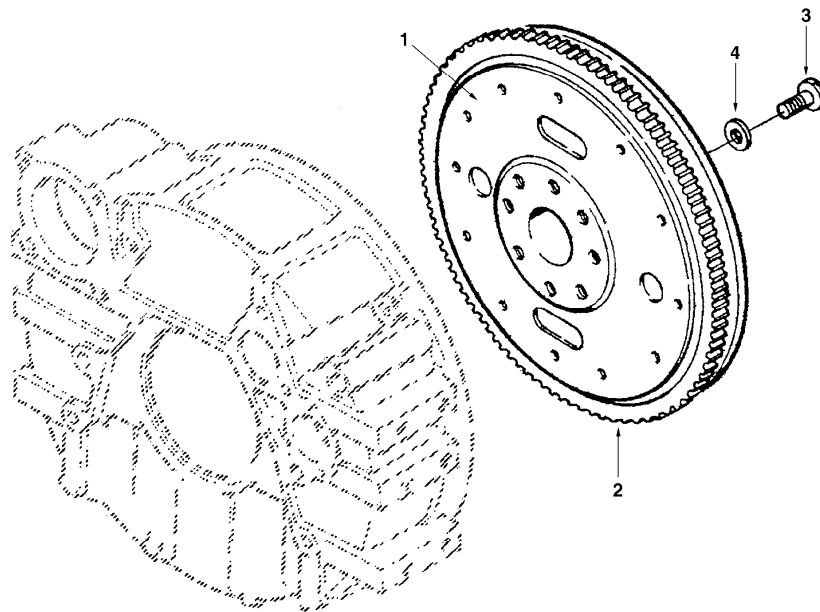
Section option	Kit	Option description
SADE04B001		Without air pre-heater for engine
SADE04B002		Air heater for engine

Q1-Q5	Option	Option description	
Q1 DE04B001	SADE04B001	Without air pre-heater for engine	
Q2 DE04B002	SADE04B002	Air heater for engine	

Pos	Part	Q1	Q2	Q3	Q4	Q5	PS	Kit	Description	Option(s)	Remark
1	SA3918986	1	1						Crankshaft		
2	SA3918776	1	1						•Gear		
3	SA3904483	1	1						•Locating pin		
4	SA3802210	1	1				SS		Bearing		STANDARD
	SA3802211	1	1						Bearing		
	SA3802212	1	1						Bearing		
	SA3802213	1	1						Bearing		

	SA3802214	1	1						Bearing		
	SA3916844	1	1				SS		Bearing		
5	SA3921544	1	1						Bearing		
	SA3921545	1	1						Bearing		
	SA3921546	1	1						Bearing		
6	SA3920408	1	1				SS		Sleeve		
7	SA3906081	1	1				SS		Sleeve		
8	SA3918113	1	1				SS		Seal		

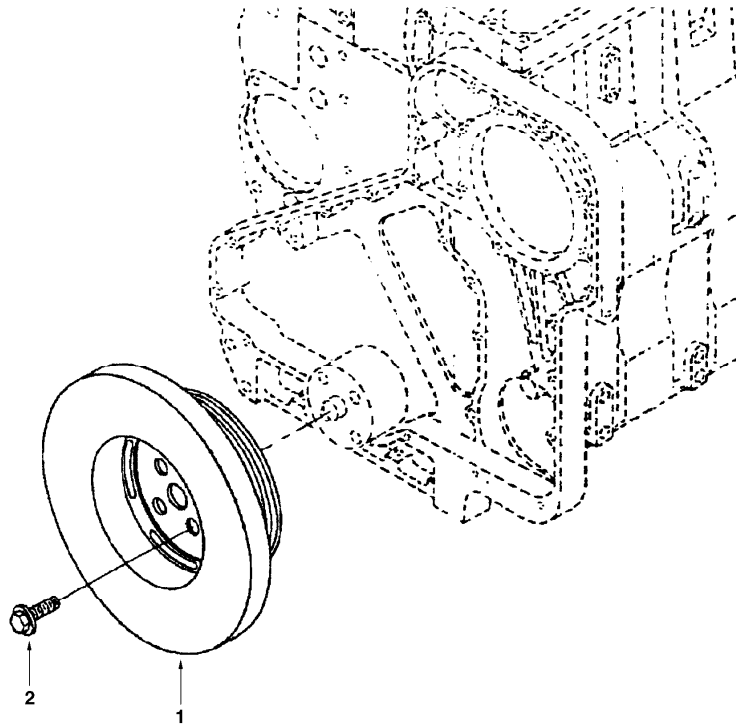
Date: 2013/11/16	Image id: SB117	Catalogue: 56118	Model: EC240
Brand: Volvo	Serial: 3001-9999	Group/Section: 216/200	Title: Flywheel



Volvo Construction
Equipment Group
SB117

Pos	Part	Q1	Q2	Q3	Q4	Q5	PS	Kit	Description	Option(s)	Remark
1	SA3973363	1							Flywheel		
	SA3973362	1					OP		•Flywheel		
2	SA3905427	1							•Gear		
3	SA3901395	8							Screw		
4	SA3900269	8							Washer		

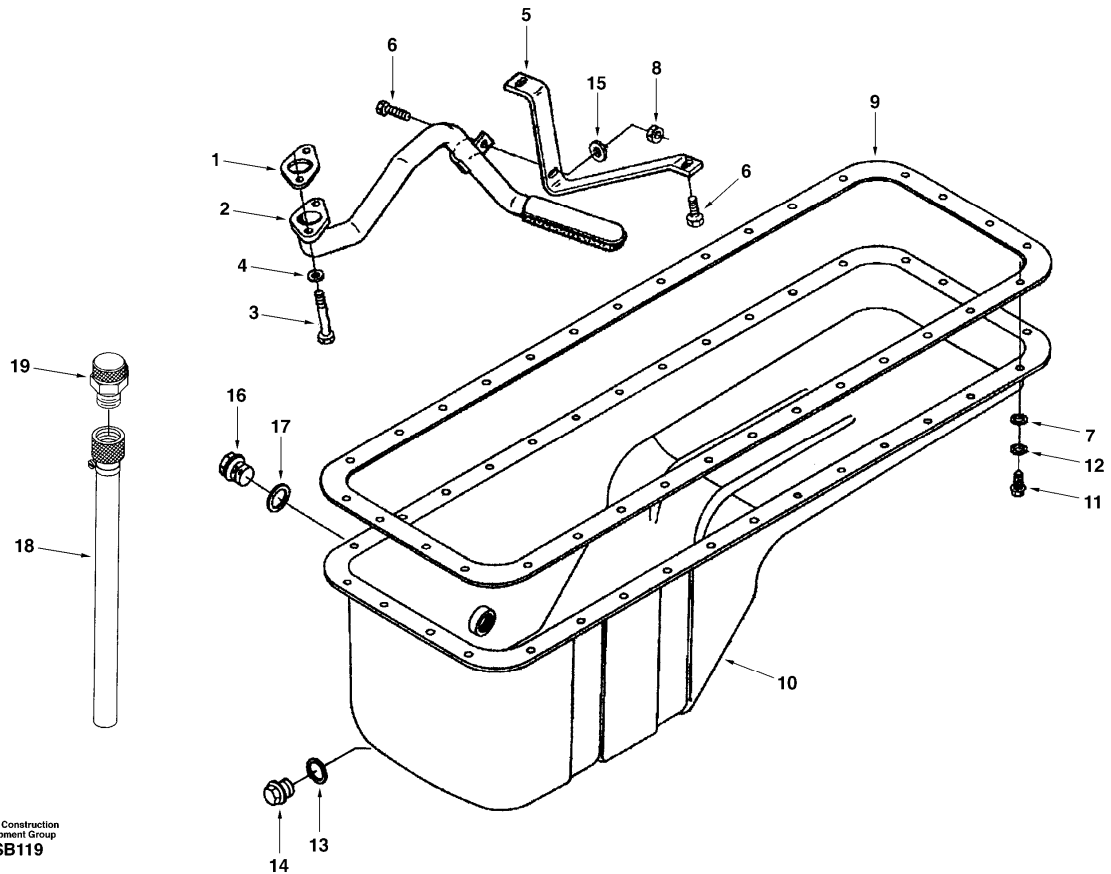
Date: 2013/11/16	Image id: SB118	Catalogue: 56118	Model: EC240
Brand: Volvo	Serial: 3001-9999	Group/Section: 216/300	Title: Vibration damper



Volvo Construction
Equipment Group
SB118

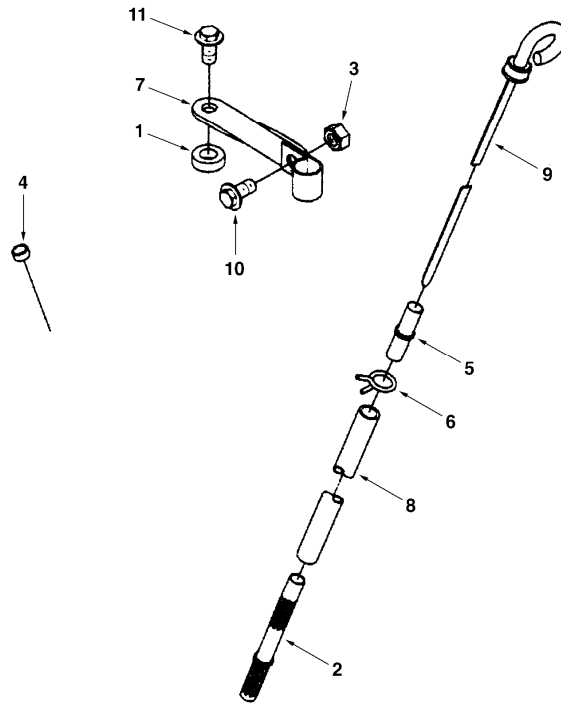
Pos	Part	Q1	Q2	Q3	Q4	Q5	PS	Kit	Description	Option(s)	Remark
1	SA3925570	1							Damper		
2	SA3906733	4							Screw		

Date: 2013/11/16	Image id: SB119	Catalogue: 56118	Model: EC240
Brand: Volvo	Serial: 3001-9999	Group/Section: 217/100	Title: Oil sump



Pos	Part	Q1	Q2	Q3	Q4	Q5	PS	Kit	Description	Option(s)	Remark
1	SA3914302	1							Gasket		
2	SA3931979	1							Connector		
3	SA3900628	2							Screw		
4	SA3926865	2							Spacer		
5	SA3931787	1							Brace		
6	SA3901865	4							Bolt		
7	SA3908316	32							Washer		
8	SA3906216	1							Nut		
9	SA3930408	1							Gasket		
10	SA3931790	1					SS		Oil Pan		
11	SA3902114	32							Screw		
12	SA3910266	32							Washer		
13	SA3920773	1							Washer		
14	SA3914148	1					SS		Plug		
15	SA3910960	1							Washer		

Date: 2013/11/16	Image id: SB120	Catalogue: 56118	Model: EC240
Brand: Volvo	Serial: 3001-9999	Group/Section: 217/200	Title: Oil dipstick



Volvo Construction
Equipment Group
SB120

Pos	Part	Q1	Q2	Q3	Q4	Q5	PS	Kit	Description	Option(s)	Remark
1	SA68368-B	1							Spacer		
2	SA3279104	1							Pipe		
3	SA3900240	1							Nut		
4	SA3900955	1							Plug		
5	SA3905802	1							End		
6	SA3909395	1							Clamp		
7	SA3915152	1							Brace		
8	SA3917314	1							Pipe		
9	SA3932071	1							Dipstick		
10	SA3925883	1							Bolt		
11	SA3900678	1							Bolt		



Suggest:

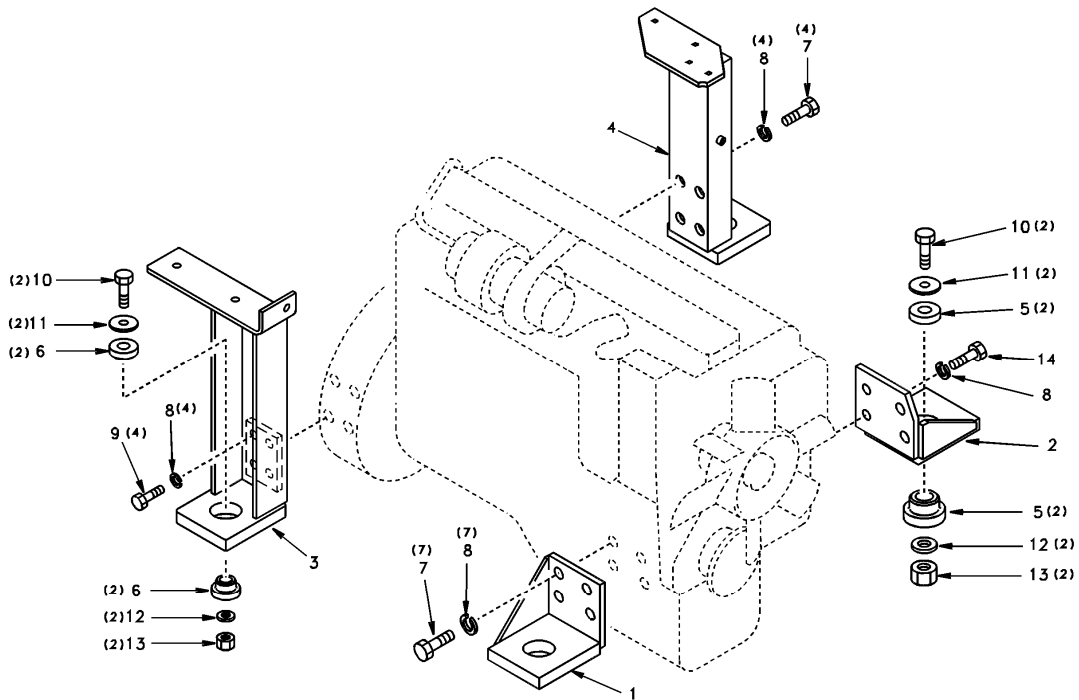
For more complete manuals. Please go to the home page.

<https://www.ebooklibonline.com>

If the above button click is invalid. Please download this document first, and then click the above link to download the complete manual.

Thank you so much for reading

Date: 2013/11/16	Image id: SB121	Catalogue: 56118	Model: EC240
Brand: Volvo	Serial: 3001-9999	Group/Section: 218/100	Title: Engine mount



Volvo Construction
Equipment Group
SB121

Section option	Kit	Option description
SADE00A001		Basic Machine EC240

Pos	Part	Q1	Q2	Q3	Q4	Q5	PS	Kit	Description	Option(s)	Remark
1	SA1112-00210	1							Bracket		
2	SA1112-01640	1							Bracket		
3	SA1112-00232	1					SS		Bracket		SER NO 3001-3410
	VOE14507209	1							Bracket		SER NO 3411-
4	SA1112-00243	1							Bracket		
5	SA1112-00570	2							Cushion		
6	SA1112-00060	2							Cushion		
7	SA9011-11206	11					SS		Bolt		
8	SA9213-12000	16							Spring Washer		
9	SA9011-21210	4					SS		Bolt		
10	SA9011-22221	4							Hexagon screw		
11	SA2012-00110	4					SS		Plate		

<https://www.ebooklibonline.com>

Hello dear friend!

Thank you very much for reading.

Enter the link into your browser.

The full manual is available for immediate download.

<https://www.ebooklibonline.com>