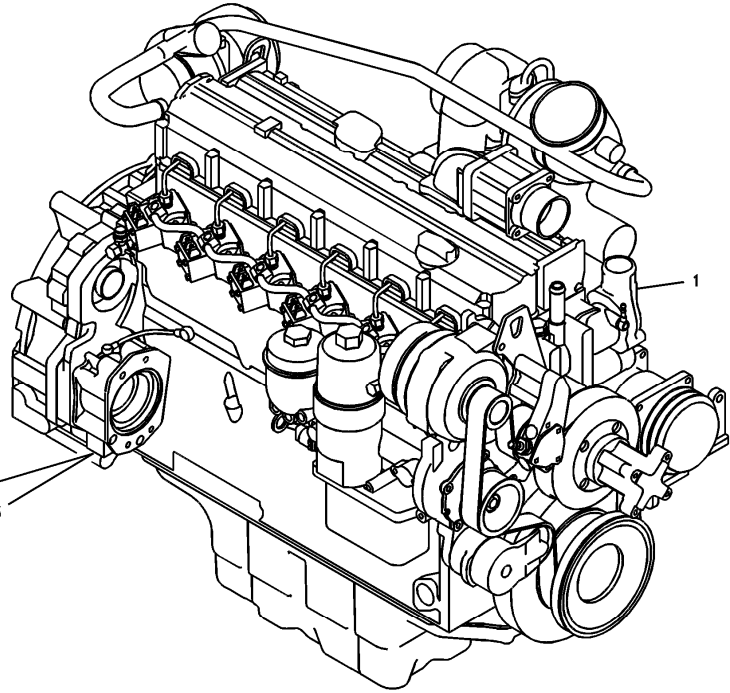
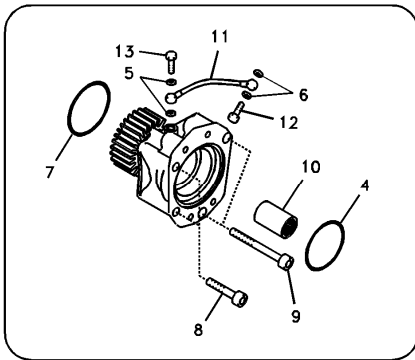
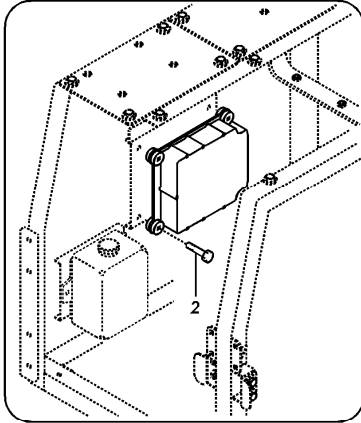


| | | | |
|----------------------------|-------------------------------|----------------------------------|---------------------------|
| Date: 2013/10/26 | Image id: 1010008 | Catalogue: 56141 | Model: EC210B F |
| Brand: Volvo | Serial: 10457-70000 | Group/Section: 210/100 | Title: Engine |



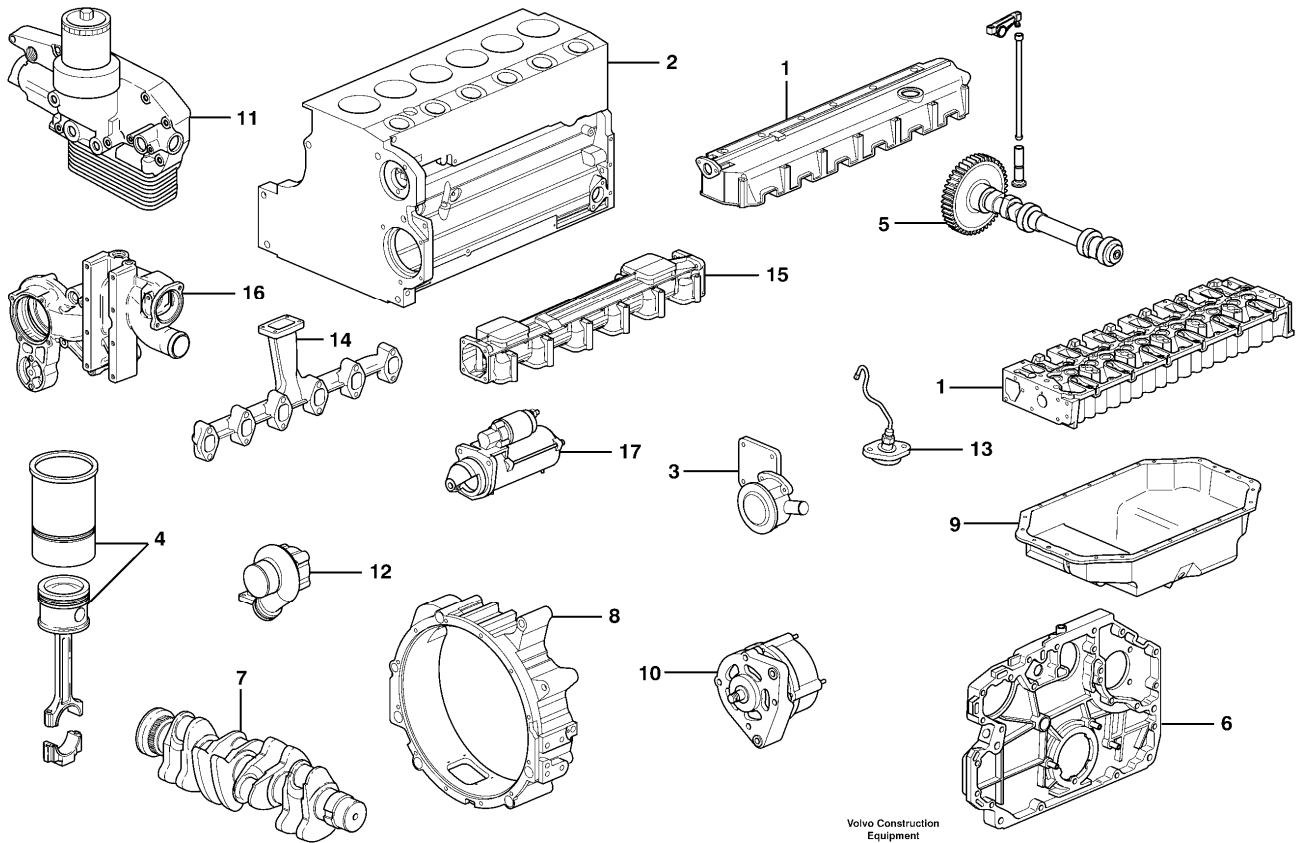
Volvo Construction
Equipment
1010008

| Section option | Kit | Option description |
|----------------|-------------|------------------------------------------------------|
| VOE8277784 | | Basic Machine EC210B |
| VOE8278912 | | Engine with Epa label EMISSION CERTIFICATED FROM EPA |
| VOE8278913 | | Engine with Eu label EMISSION CERTIFICATED FROM EU |
| VOE8278914 | | Engine without Epa label INT AND KOREAN MARKET |
| VOE8277864 | VOE14515979 | Leak-off line for slope-rotator on basic machine |

| Q1-Q5 | Option | Option description | |
|-----------------------|------------|------------------------------------------------------|--|
| Q1 8277784 S/N -11532 | VOE8277784 | Basic Machine EC210B | |
| Q2 8278912 S/N 11533- | VOE8278912 | Engine with Epa label EMISSION CERTIFICATED FROM EPA | |
| Q3 8278913 S/N 11533- | VOE8278913 | Engine with Eu label EMISSION CERTIFICATED FROM EU | |
| Q4 8278914 S/N 11533- | VOE8278914 | Engine without Epa label INT AND KOREAN MARKET | |
| Q5 8277864 | VOE8277864 | Leak-off line for slope-rotator on basic machine | |

| Pos | Part | Q1 | Q2 | Q3 | Q4 | Q5 | PS | Kit | Description | Option(s) | Remark |
|-----|-------------|----|----|----|----|----|----|-----|----------------|-----------|----------------------|
| 1 | VOE14500388 | 1 | | | | | | | Engine | | D6D EAE2 |
| | VOE14500388 | | 1 | | | | | | Engine | | D6D EAE2 |
| | VOE14519203 | | | 1 | | | | | Engine | | D6D EFE2 |
| | VOE14519204 | | | | 1 | | | | Engine | | D6D EGE2 |
| 2 | VOE983245 | 4 | 4 | 4 | 4 | | | | Hexagon screw | | |
| 3 | VOE14512729 | | | | | 1 | | | Power take-off | | |
| 4 | VOE20450819 | | | | | 1 | | | •O-ring | | (VOE11173158) |
| 5 | VOE11700354 | | | | | 1 | SS | | •O-ring | | |
| 6 | VOE13947621 | | | | | 1 | | | •Plane gasket | | |
| 7 | VOE20450818 | | | | | 1 | | | •O-ring | | |
| 8 | VOE20450820 | | | | | 1 | | | •Screw | | E PROD ENG - 2007/02 |
| 8 | VOE21077470 | | | | | 1 | | | •Screw | | L PROD ENG 2007/03 - |
| 9 | VOE20450821 | | | | | 1 | | | •Screw | | |
| 10 | VOE20459123 | | | | | 1 | | | •Sleeve | | |
| 11 | VOE20459170 | | | | | 1 | | | •Oil pipe | | |
| 12 | VOE7025167 | | | | | 1 | | | •Hollow screw | | (VOE20460231) |
| 13 | VOE20460289 | | | | | 1 | | | •Hollow screw | | |

| | | | |
|----------------------------|-------------------------------|----------------------------------|---------------------------|
| Date: 2013/10/26 | Image id: 1000973 | Catalogue: 56141 | Model: EC210B F |
| Brand: Volvo | Serial: 10457-70000 | Group/Section: 210/200 | Title: Engine |



Volvo Construction
Equipment
1000973

| Section option | Kit | Option description |
|----------------|-----|------------------------------------------------------|
| VOE8277784 | | Basic Machine EC210B |
| VOE8278912 | | Engine with Epa label EMISSION CERTIFICATED FROM EPA |
| VOE8278913 | | Engine with Eu label EMISSION CERTIFICATED FROM EU |
| VOE8278914 | | Engine without Epa label INT AND KOREAN MARKET |

| Q1-Q5 | Option | Option description | |
|-----------------------|------------|------------------------------------------------------|--|
| Q1 8277784 S/N -11532 | VOE8277784 | Basic Machine EC210B | |
| Q2 8278912 S/N 11533- | VOE8278912 | Engine with Epa label EMISSION CERTIFICATED FROM EPA | |
| Q3 8278913 S/N 11533- | VOE8278913 | Engine with Eu label EMISSION CERTIFICATED FROM EU | |
| Q4 8278914 S/N 11533- | VOE8278914 | Engine without Epa label INT AND KOREAN MARKET | |

| Pos | Part | Q1 | Q2 | Q3 | Q4 | Q5 | PS | Kit | Description | Option(s) | Remark |
|-----|------|----|----|----|----|----|----|-----|-------------|-----------|--------|
|-----|------|----|----|----|----|----|----|-----|-------------|-----------|--------|

<https://www.ebooklibonline.com>

Hello dear friend!

Thank you very much for reading.

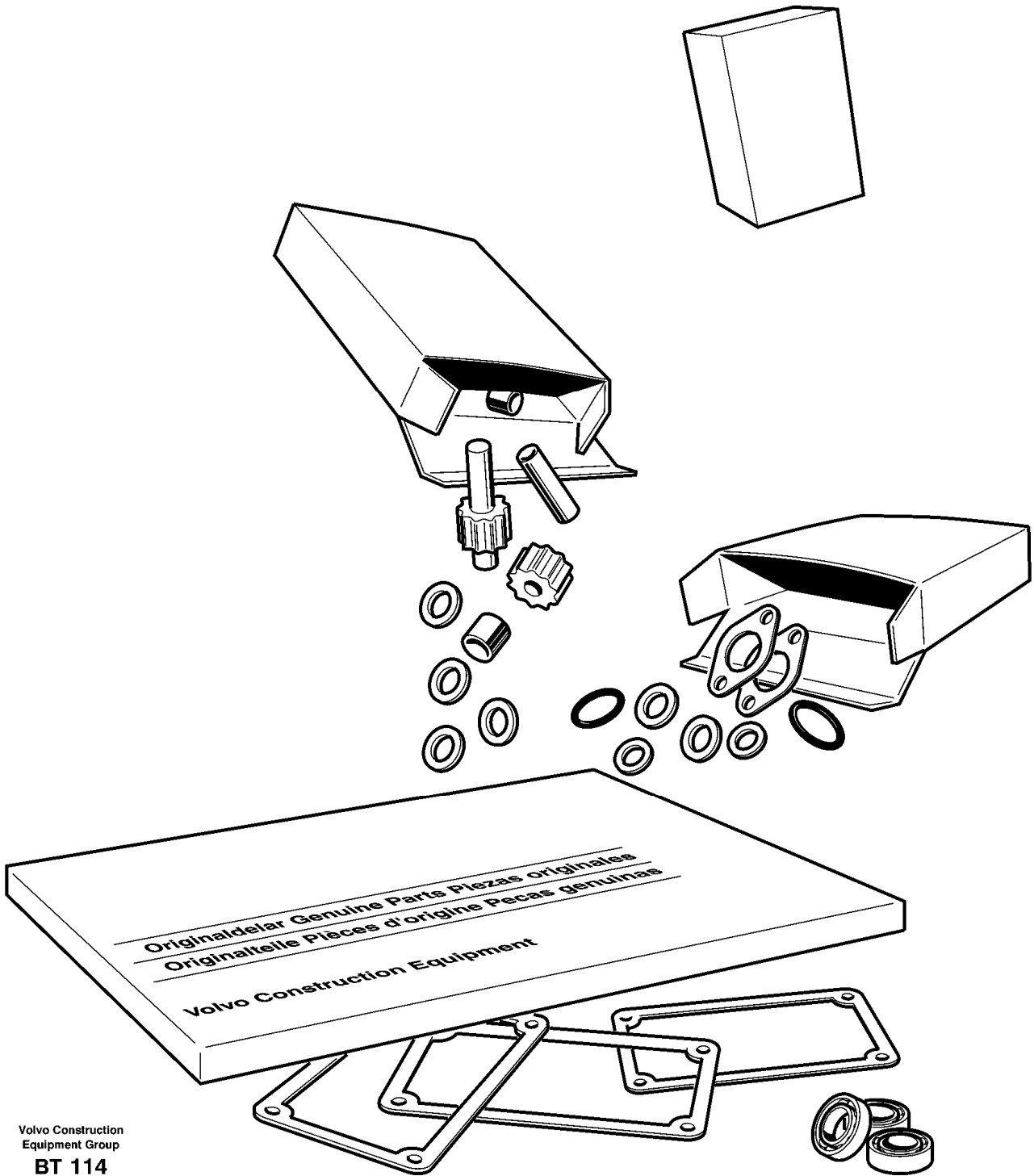
Enter the link into your browser.

The full manual is available for immediate download.

<https://www.ebooklibonline.com>

| | | | | | | | | | | |
|----|-------------|---|---|---|---|--|--|------------------------|--|-----------------|
| | VOE14500388 | 1 | | | | | | Engine | | D6D EAE2 |
| | VOE14500388 | | 1 | | | | | Engine | | D6D EAE2 |
| | VOE14519203 | | | 1 | | | | Engine | | D6D EFE2 |
| | VOE14519204 | | | | 1 | | | Engine | | D6D EGE2 |
| 1 | | 1 | 1 | 1 | 1 | | | •Cylinder head | | See ref 211/100 |
| 2 | | 1 | 1 | 1 | 1 | | | •Cylinder block | | See ref 212/100 |
| 3 | | 1 | 1 | 1 | 1 | | | •Crankcase ventilation | | See ref 212/200 |
| 4 | | 6 | 6 | 6 | 6 | | | •Cylinder liner | | See ref 213/100 |
| 5 | | 1 | 1 | 1 | 1 | | | •Valve mechanism | | See ref 214/100 |
| 6 | | 1 | 1 | 1 | 1 | | | •Timing gear casing | | See ref 215/100 |
| 7 | | 1 | 1 | 1 | 1 | | | •Crankshaft | | See ref 216/100 |
| 8 | | 1 | 1 | 1 | 1 | | | •Flywheel Hsg | | See ref 216/200 |
| 9 | | 1 | 1 | 1 | 1 | | | •Oil sump | | See ref 217/100 |
| 10 | | 1 | 1 | 1 | 1 | | | •Alternator with fitti | | See ref 321/100 |
| 11 | | 1 | 1 | 1 | 1 | | | •Oil cooler | | See ref 223/100 |
| 12 | | 1 | 1 | 1 | 1 | | | •Turbocharger | | See ref 255/100 |
| 13 | | 6 | 6 | 6 | 6 | | | •Fuel lines, injectors | | See ref 237/100 |
| 14 | | 1 | 1 | 1 | 1 | | | •Inlet pipe | | See ref 251/100 |
| 15 | | 1 | 1 | 1 | 1 | | | •Exhaust pipe | | See ref 251/100 |
| 16 | | 1 | 1 | 1 | 1 | | | •Water pump and thermo | | See ref 262/100 |
| 17 | | 1 | 1 | 1 | 1 | | | •Starter motor | | See ref 331/100 |

| | | | |
|----------------------------|-------------------------------|----------------------------------|-----------------------------------------------------------------------------------|
| Date: 2013/10/26 | Image id: BT114 | Catalogue: 56141 | Model: EC210B F |
| Brand: Volvo | Serial: 10457-70000 | Group/Section: 210/300 | Title: Repair kits for engine 8277784,8278912,8278913,8278914 |



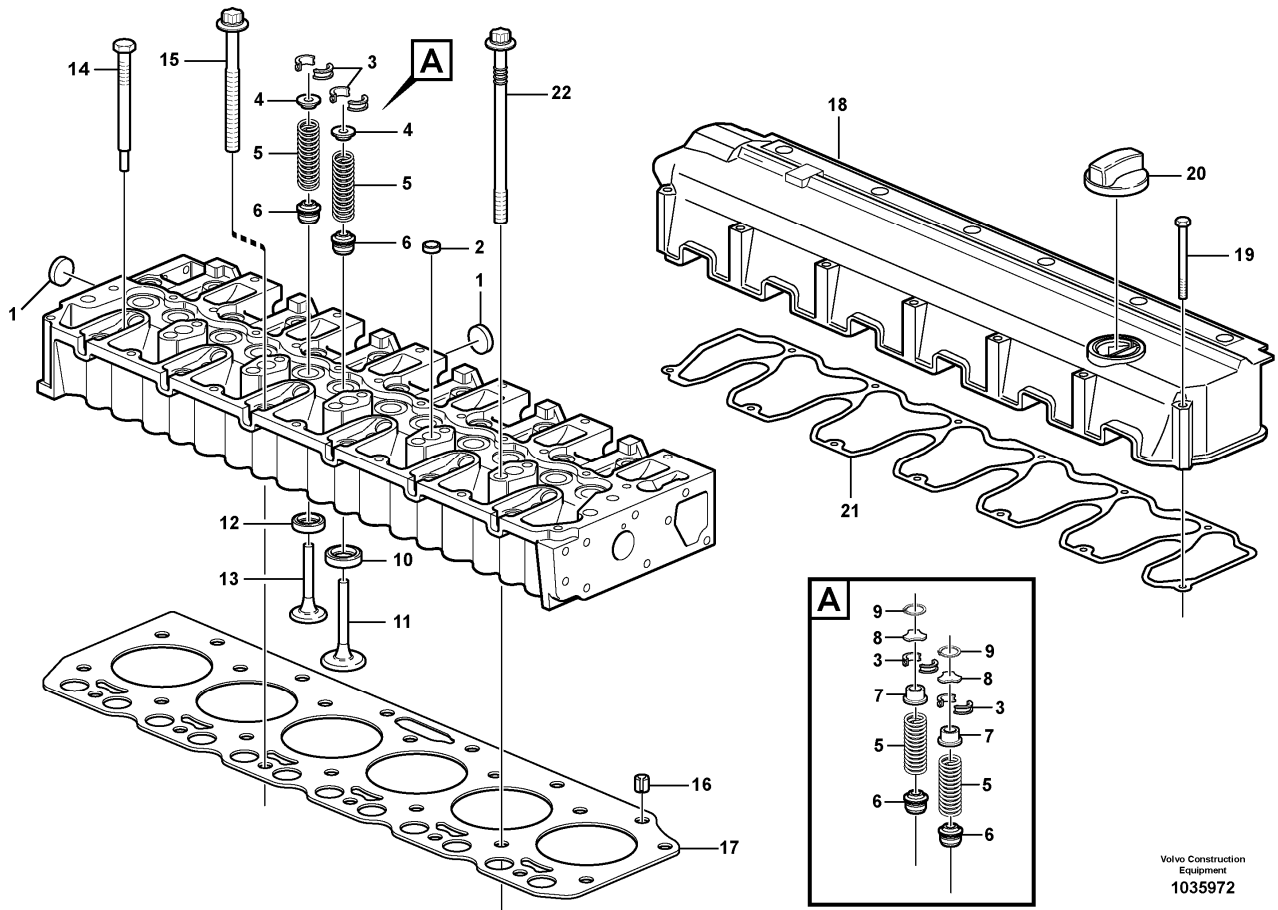
| Section option | Kit | Option description |
|----------------|-----|--------------------|
|----------------|-----|--------------------|

| | | |
|------------|--|------------------------------------------------------|
| VOE8277784 | | Basic Machine EC210B |
| VOE8278912 | | Engine with Epa label EMISSION CERTIFICATED FROM EPA |
| VOE8278913 | | Engine with Eu label EMISSION CERTIFICATED FROM EU |
| VOE8278914 | | Engine without Epa label INT AND KOREAN MARKET |

| Q1-Q5 | Option | Option description | |
|---------------------|--------|--------------------|--|
| Q1 ENG - 1060653 | | | |
| Q2 ENG 1060654 - | | | |

| Pos | Part | Q1 | Q2 | Q3 | Q4 | Q5 | PS | Kit | Description | Option(s) | Remark |
|-----|-------------|----|----|----|----|----|----|-----|--------------------|-----------|--------|
| | VOE11716553 | 1 | | | | | | | Overhaul Kit | | |
| | VOE11716554 | | 1 | | | | | | Overhaul Kit | | |
| | VOE11712379 | 1 | 1 | | | | | | •Cylinder head kit | | |
| | VOE20854651 | 1 | | | | | | | •Cyl Liner Kit | | |
| | VOE20854654 | | 1 | | | | | | •Cyl Liner Kit | | |

| | | | |
|----------------------------|-------------------------------|----------------------------------|----------------------------------------------------------------|
| Date: 2013/10/26 | Image id: 1035972 | Catalogue: 56141 | Model: EC210B F |
| Brand: Volvo | Serial: 10457-70000 | Group/Section: 211/100 | Title: Cylinder head 8277784,8278912,8278913,8278914 |



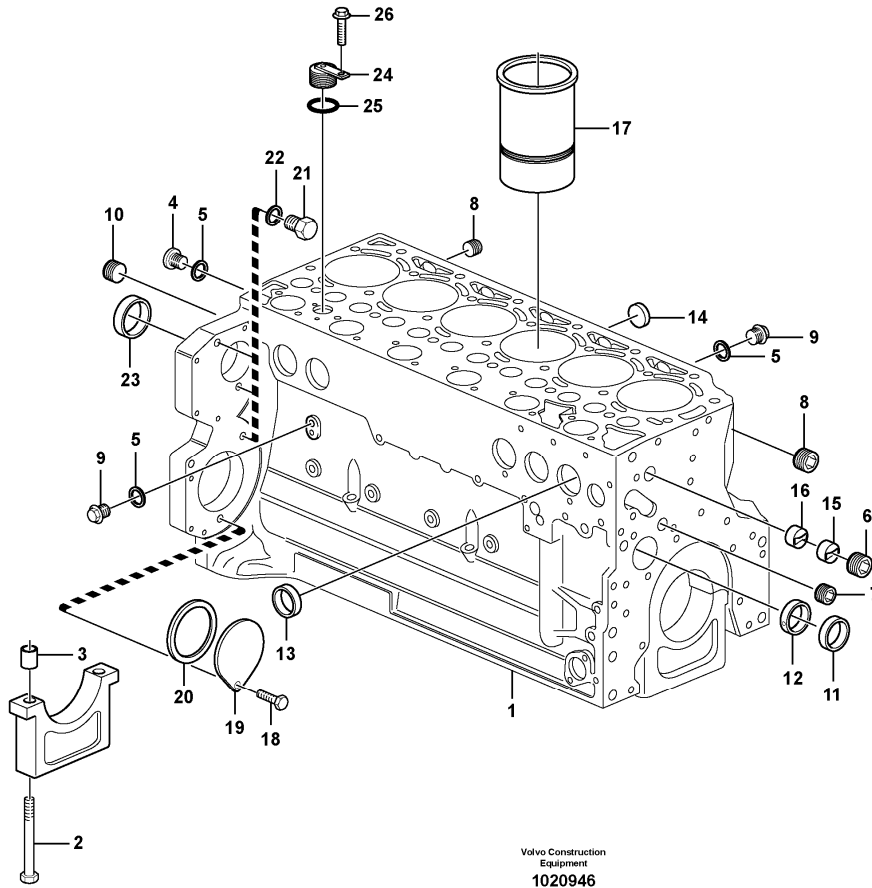
Volvo Construction
Equipment
1035972

| Section option | Kit | Option description |
|----------------|-----|------------------------------------------------------|
| VOE8277784 | | Basic Machine EC210B |
| VOE8278912 | | Engine with Epa label EMISSION CERTIFICATED FROM EPA |
| VOE8278913 | | Engine with Eu label EMISSION CERTIFICATED FROM EU |
| VOE8278914 | | Engine without Epa label INT AND KOREAN MARKET |

| Pos | Part | Q1 | Q2 | Q3 | Q4 | Q5 | PS | Kit | Description | Option(s) | Remark |
|-----|-------------|----|----|----|----|----|----|-----|---------------|-----------|----------------------------|
| | VOE20747867 | 1 | | | | | | | Cylinder head | | (VOE20498711)ENG - 1031803 |
| | VOE20747867 | 1 | | | | | | | Cylinder head | | ENG 1031804 - 2006/01 |
| | VOE21055823 | 1 | | | | | | | Cylinder head | | ENG 2006/02 - |
| 1 | VOE20412745 | 5 | | | | | | | •Core plug | | |
| 2 | VOE20412733 | 5 | | | | | | | •Core plug | | |
| 3 | VOE20459857 | 24 | | | | | | | •Valve sleeve | | |
| 4 | VOE20535037 | 12 | | | | | | | •Washer | | ENG - 2006/01 |

| | | | | | | | | | | | |
|----|-------------|----|--|--|--|--|----|--|-----------------|------|-------------------------------|
| 5 | VOE20459851 | 12 | | | | | | | •Valve spring | | |
| 6 | VOE20459855 | 12 | | | | | | | •Valve seal | | |
| 7 | VOE20840747 | 12 | | | | | | | •Spring Disc | | ENG 2006/02 - |
| 8 | VOE20840807 | 12 | | | | | | | •Thrust Washer | | |
| 9 | VOE20840772 | 12 | | | | | | | •Snap Ring | | |
| 10 | VOE20459852 | 6 | | | | | | | •Valve seat | | |
| 11 | VOE20482741 | 6 | | | | | | | •Inlet valve | | (VOE20791517)ENG - 2006/01 |
| 11 | VOE21026535 | 6 | | | | | | | •Inlet valve | | ENG 2006/02 - |
| 12 | VOE20459854 | 6 | | | | | | | •Valve seat | | |
| 13 | VOE20482742 | 6 | | | | | | | •Exhaust valve | | (VOE20459861)ENG - 2006/01 |
| 13 | VOE21026536 | 6 | | | | | | | •Exhaust Valve | | ENG 2006/02 - |
| 14 | VOE20405895 | 6 | | | | | | | Plug | | |
| 15 | VOE20459838 | 19 | | | | | | | Bolt | | |
| 16 | VOE20459839 | 2 | | | | | | | Bushing | | |
| 17 | VOE20795927 | 1 | | | | | | | Cylinder Gasket | Head | (VOE24426690)1,27 MM |
| 17 | VOE20795944 | 1 | | | | | | | Cylinder Gasket | Head | (VOE24426691)1,37 MM |
| 17 | VOE20795952 | 1 | | | | | | | Cylinder Gasket | Head | (VOE24426692)1,47 MM |
| 18 | VOE20558880 | 1 | | | | | | | Valve Cover | | (VOE20459829)ENG - 620552 |
| 18 | VOE20459831 | 1 | | | | | SS | | Valve cover | | ENG 620553 - 1099384 |
| 18 | VOE20558810 | 1 | | | | | | | Valve Cover | | ENG 1099385 - |
| 19 | VOE20459830 | 13 | | | | | | | Screw | | |
| 20 | VOE20412589 | 1 | | | | | | | Filler cap | | |
| 21 | VOE20459828 | 1 | | | | | | | Gasket | | ENG - 1099384 |
| 21 | VOE20558929 | 1 | | | | | | | Gasket | | ENG 1099385 - |
| 22 | VOE20459837 | 7 | | | | | | | Bolt | | |

| | | | |
|----------------------------|-------------------------------|----------------------------------|-----------------------------------------------------------------|
| Date: 2013/10/26 | Image id: 1020946 | Catalogue: 56141 | Model: EC210B F |
| Brand: Volvo | Serial: 10457-70000 | Group/Section: 212/100 | Title: Cylinder block 8277784,8278912,8278913,8278914 |

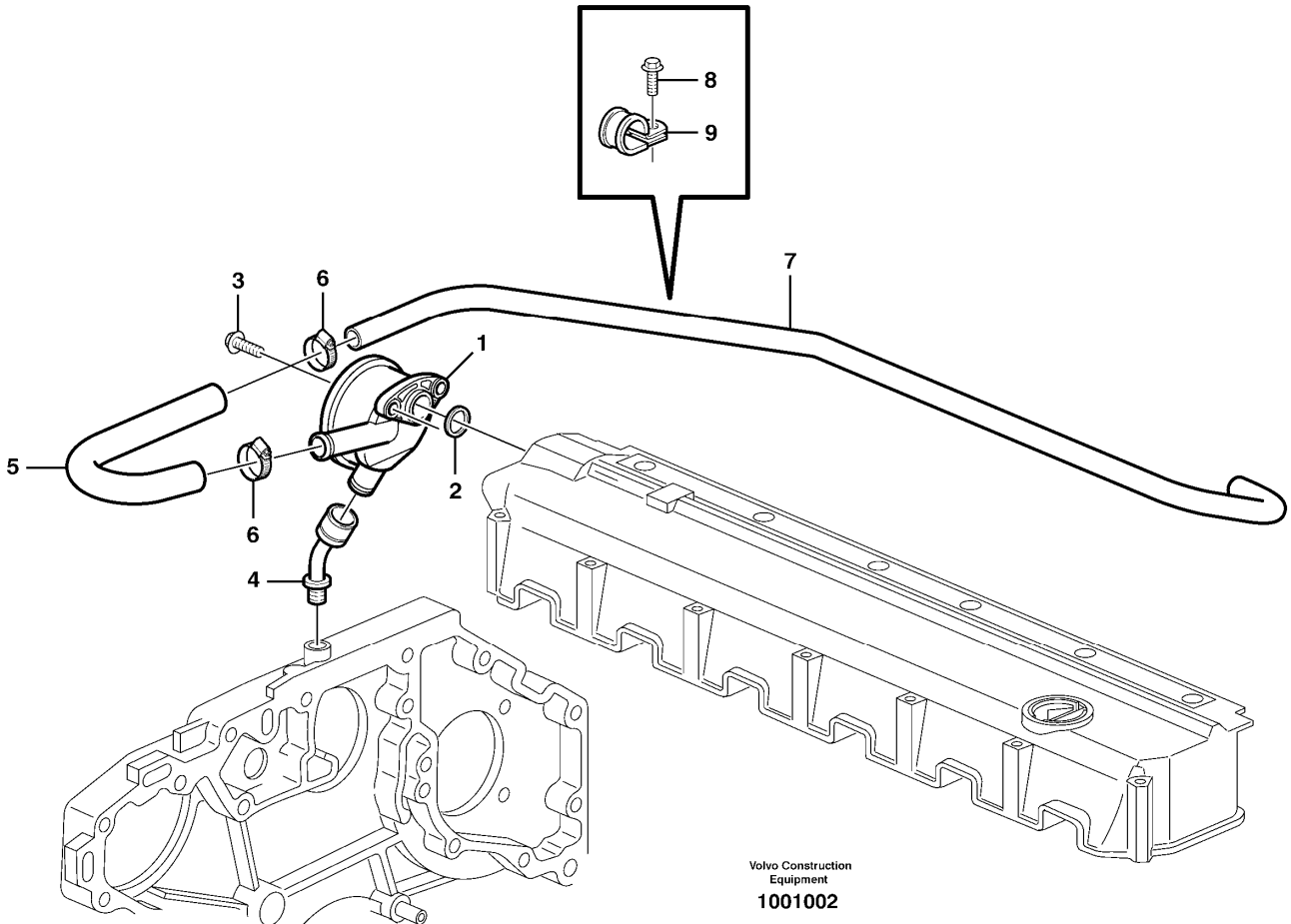


| Section option | Kit | Option description |
|----------------|-----|------------------------------------------------------|
| VOE8277784 | | Basic Machine EC210B |
| VOE8278912 | | Engine with Epa label EMISSION CERTIFICATED FROM EPA |
| VOE8278913 | | Engine with Eu label EMISSION CERTIFICATED FROM EU |
| VOE8278914 | | Engine without Epa label INT AND KOREAN MARKET |

| Pos | Part | Q1 | Q2 | Q3 | Q4 | Q5 | PS | Kit | Description | Option(s) | Remark |
|-----|-------------|----|----|----|----|----|----|-----|----------------|-----------|-------------------------|
| 1 | VOE20533309 | 1 | | | | | SS | | Cylinder Block | | ENG - 01060658 |
| 1 | VOE20785815 | 1 | | | | | SS | | Cylinder Block | | ENG 01060659 - 01099383 |
| 1 | VOE21009708 | 1 | | | | | | | Crankcase | | ENG 01099384 - |
| 2 | VOE20460006 | 14 | | | | | | | •Screw | | ENG - 01099383 |
| 3 | VOE20460001 | 14 | | | | | | | •Bushing | | ENG - 01099383 |
| 4 | VOE945065 | 1 | | | | | | | •Plug | | |
| 5 | VOE13969011 | 3 | | | | | | | •Gasket | | |
| 6 | VOE20405717 | 1 | | | | | | | •Plug | | |

| | | | | | | | | | | | |
|----|-------------|---|--|--|--|--|--|--|-------------------|--|------------------------------------|
| 7 | VOE20405719 | 1 | | | | | | | •Plug | | ENG - 01099383 |
| 8 | VOE20508600 | 2 | | | | | | | •Plug | | |
| 9 | VOE20405716 | 2 | | | | | | | •Plug | | |
| 10 | VOE20785813 | 1 | | | | | | | •Plug | | |
| 11 | VOE20459999 | 6 | | | | | | | •Camshaft bushing | | |
| 12 | VOE20459998 | 1 | | | | | | | •Camshaft bushing | | |
| 13 | VOE20405721 | 9 | | | | | | | •Core plug | | |
| 14 | VOE20412745 | 6 | | | | | | | •Core plug | | (VOE20450767) |
| 15 | VOE20405584 | 1 | | | | | | | •Guide sleeve | | |
| 16 | VOE20405906 | 1 | | | | | | | •Guide sleeve | | |
| 17 | | 6 | | | | | | | •Cylinder Liner | | NO PISTONS ETC. See ref 213/100 |
| 18 | VOE888289 | 2 | | | | | | | Hexagon screw | | |
| 19 | VOE24426064 | 1 | | | | | | | Cover | | |
| 20 | VOE20412359 | 1 | | | | | | | Sealing ring | | |
| 21 | VOE20441859 | 3 | | | | | | | Plug | | (VOE20532680) |
| 22 | VOE13947281 | 3 | | | | | | | Gasket | | |
| 23 | VOE20450778 | 1 | | | | | | | Core plug | | |
| 24 | VOE20702078 | 1 | | | | | | | Plug | | ENG - 01047118 |
| | VOE20758137 | 1 | | | | | | | Plug | | ENG 01047119 - |
| 25 | VOE20405728 | 1 | | | | | | | •Sealing ring | | |
| 26 | VOE20711881 | 1 | | | | | | | Screw | | |

| | | | |
|----------------------------|-------------------------------|----------------------------------|--------------------------------------------------------------------------------------------|
| Date: 2013/10/26 | Image id: 1001002 | Catalogue: 56141 | Model: EC210B F |
| Brand: Volvo | Serial: 10457-70000 | Group/Section: 212/200 | Title: Crankcase 8277784,8278912,8278913,8278914 ventilation |

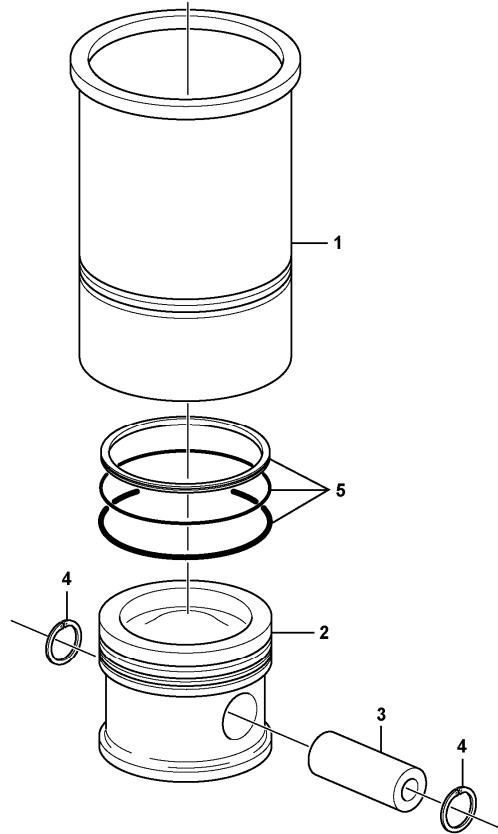


| Section option | Kit | Option description |
|----------------|-----|------------------------------------------------------|
| VOE8277784 | | Basic Machine EC210B |
| VOE8278912 | | Engine with Epa label EMISSION CERTIFICATED FROM EPA |
| VOE8278913 | | Engine with Eu label EMISSION CERTIFICATED FROM EU |
| VOE8278914 | | Engine without Epa label INT AND KOREAN MARKET |

| Pos | Part | Q1 | Q2 | Q3 | Q4 | Q5 | PS | Kit | Description | Option(s) | Remark |
|-----|-------------|----|----|----|----|----|----|-----|---------------|-----------|---------------|
| 1 | VOE20405626 | 1 | | | | | | | Regulator | | |
| 2 | VOE20405627 | 1 | | | | | | | Gasket | | |
| 3 | VOE20450728 | 2 | | | | | | | Bolt | | (VOE20459182) |
| 4 | VOE20405938 | 1 | | | | | | | Connector | | |
| 5 | VOE20459255 | 1 | | | | | | | Tube | | |
| 6 | VOE20405755 | 3 | | | | | | | Clamping band | | |
| 7 | VOE20459257 | 1 | | | | | | | Breather pipe | | |

| | | | | | | | | | | | |
|---|-------------|---|--|--|--|--|--|--|-------|--|---------------|
| 8 | VOE20460055 | 1 | | | | | | | Screw | | |
| 9 | VOE20405532 | 1 | | | | | | | Clamp | | (VOE20405532) |

| | | | |
|----------------------------|-------------------------------|----------------------------------|--------------------------------------------------------------------------------------|
| Date: 2013/10/26 | Image id: 1024633 | Catalogue: 56141 | Model: EC210B F |
| Brand: Volvo | Serial: 10457-70000 | Group/Section: 213/100 | Title: Cylinder liner and piston 8277784,8278912,8278913,8278914 |

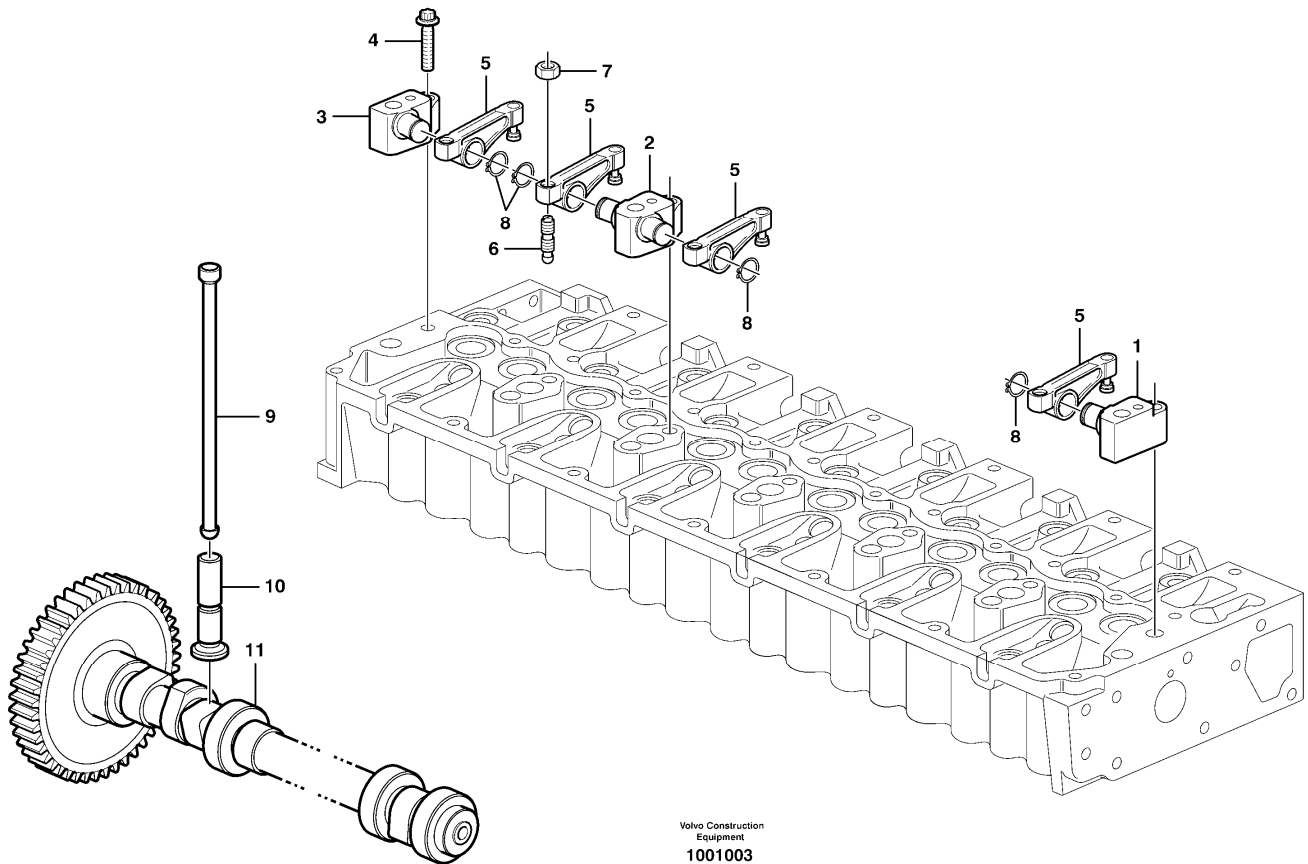


Volvo Construction
Equipment
1024633

| Section option | Kit | Option description |
|----------------|-----|------------------------------------------------------|
| VOE8277784 | | Basic Machine EC210B |
| VOE8278912 | | Engine with Epa label EMISSION CERTIFICATED FROM EPA |
| VOE8278913 | | Engine with Eu label EMISSION CERTIFICATED FROM EU |
| VOE8278914 | | Engine without Epa label INT AND KOREAN MARKET |

| Pos | Part | Q1 | Q2 | Q3 | Q4 | Q5 | PS | Kit | Description | Option(s) | Remark |
|-----|-------------|----|----|----|----|----|----|-----|-------------------|-----------|---------------|
| 1 | VOE20854651 | 6 | | | | | | | Cyl Liner Kit | | ENG - 1060653 |
| 1 | VOE20854654 | 6 | | | | | | | Cyl Liner Kit | | ENG 1060666 - |
| 2 | | 6 | | | | | NS | | •Piston | | |
| 3 | VOE20460009 | 6 | | | | | | | ••Gudgeon pin | | |
| 4 | VOE21159226 | 12 | | | | | | | ••Retaining ring | | (VOE20460010) |
| 5 | VOE20460011 | 6 | | | | | | | ••Piston ring kit | | |

| | | | |
|----------------------------|-------------------------------|----------------------------------|------------------------------------------------------------------|
| Date: 2013/10/26 | Image id: 1001003 | Catalogue: 56141 | Model: EC210B F |
| Brand: Volvo | Serial: 10457-70000 | Group/Section: 214/100 | Title: Valve mechanism 8277784,8278912,8278913,8278914 |

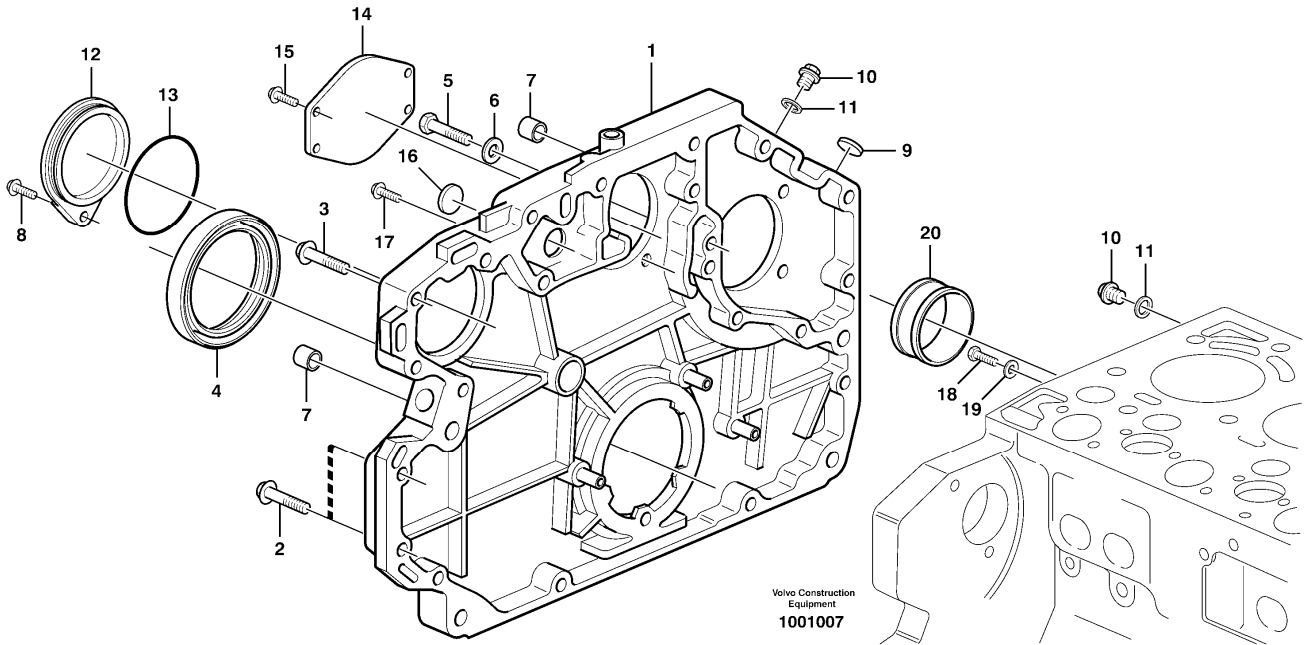


| Section option | Kit | Option description |
|----------------|-----|------------------------------------------------------|
| VOE8277784 | | Basic Machine EC210B |
| VOE8278912 | | Engine with Epa label EMISSION CERTIFICATED FROM EPA |
| VOE8278913 | | Engine with Eu label EMISSION CERTIFICATED FROM EU |
| VOE8278914 | | Engine without Epa label INT AND KOREAN MARKET |

| Pos | Part | Q1 | Q2 | Q3 | Q4 | Q5 | PS | Kit | Description | Option(s) | Remark |
|-----|-------------|----|----|----|----|----|----|-----|----------------|-----------|--------------------------------|
| 1 | VOE20459848 | 1 | | | | | | | Bracket | | |
| 2 | VOE20459847 | 5 | | | | | | | Bracket | | |
| 3 | VOE20459849 | 1 | | | | | | | Bracket | | |
| 4 | VOE20459853 | 7 | | | | | | | Screw | | |
| 5 | VOE20459850 | 12 | | | | | | | Rocker arm | | ENG - 01099409 |
| 5 | VOE21448926 | 12 | | | | | | | Rocker arm | | (VOE20792876)ENG 01099410 - |
| 6 | VOE20405524 | 12 | | | | | | | Screw | | |
| 7 | VOE11700373 | 12 | | | | | | | Nut | | |
| 8 | VOE945495 | 12 | | | | | | | Retaining ring | | |

| | | | | | | | | | | | |
|----|-------------|----|--|--|--|--|----|--|----------|--|----------------|
| 9 | VOE20460008 | 12 | | | | | | | Push rod | | |
| 10 | VOE20460007 | 12 | | | | | | | Tappet | | |
| 11 | VOE20502005 | 1 | | | | | SS | | Camshaft | | ENG - 01099344 |
| 11 | VOE20973962 | 1 | | | | | | | Camshaft | | ENG 01099345 - |

| | | | |
|----------------------------|-------------------------------|----------------------------------|-----------------------------------------------------------------------------------------|
| Date: 2013/10/26 | Image id: 1001007 | Catalogue: 56141 | Model: EC210B F |
| Brand: Volvo | Serial: 10457-70000 | Group/Section: 215/100 | Title: Timing gear casing and gears 8277784,8278912,8278913,8278914 |

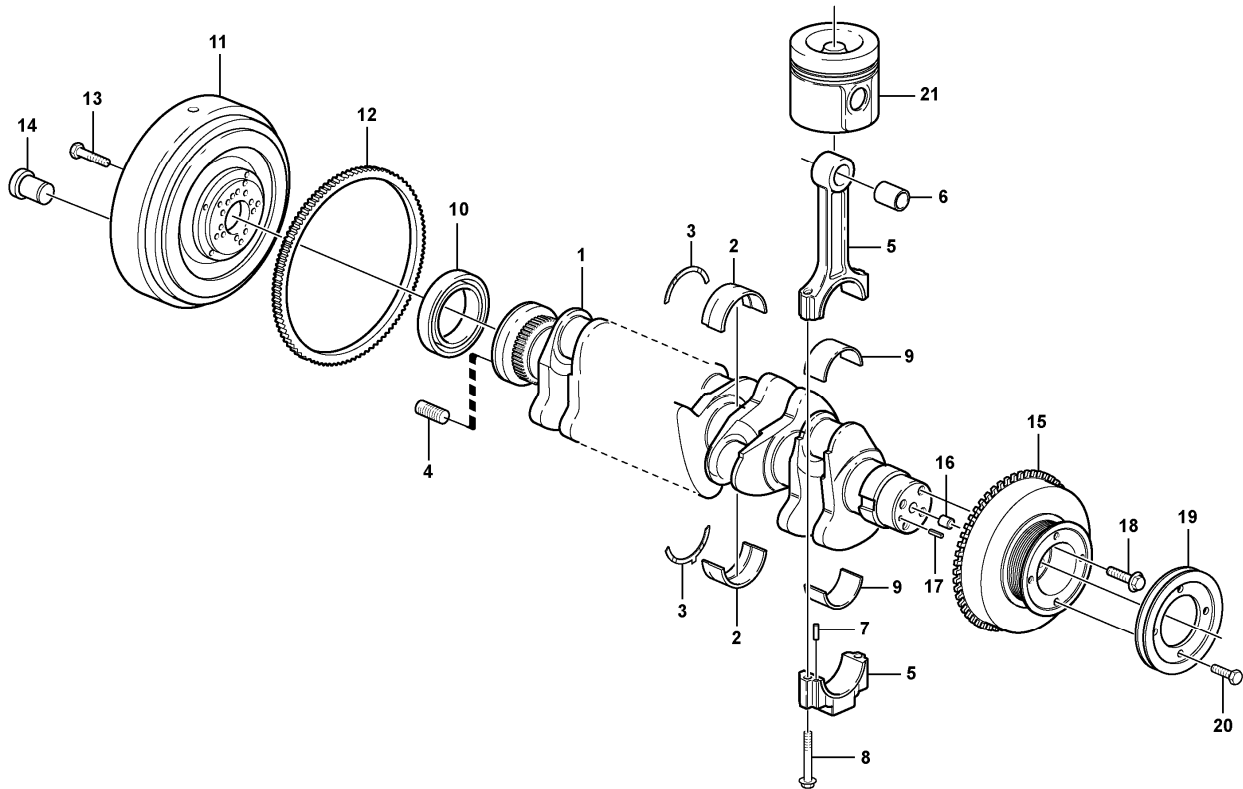


| Section option | Kit | Option description |
|----------------|-----|------------------------------------------------------|
| VOE8277784 | | Basic Machine EC210B |
| VOE8278912 | | Engine with Epa label EMISSION CERTIFICATED FROM EPA |
| VOE8278913 | | Engine with Eu label EMISSION CERTIFICATED FROM EU |
| VOE8278914 | | Engine without Epa label INT AND KOREAN MARKET |

| Pos | Part | Q1 | Q2 | Q3 | Q4 | Q5 | PS | Kit | Description | Option(s) | Remark |
|-----|-------------|----|----|----|----|----|----|-----|-----------------|-----------|---------------------------|
| 1 | VOE20918119 | 1 | | | | | | | Tmg Gear Casing | | (VOE20482787)ENG - 920347 |
| 1 | VOE20918119 | 1 | | | | | | | Tmg Gear Casing | | ENG 920348 - |
| 2 | VOE20412324 | 12 | | | | | | | Screw | | |
| 3 | VOE20450801 | 4 | | | | | | | Screw | | |
| 4 | | 1 | | | | | | | Crankshaft Seal | | See ref 216/100 |
| 5 | VOE20405653 | 2 | | | | | SS | | Screw | | |
| 6 | VOE13955900 | 2 | | | | | | | Washer | | (VOE20459117) |
| 7 | VOE20405646 | 2 | | | | | | | Bushing | | ENG - 920347 |
| 7 | VOE20585971 | 2 | | | | | | | Bushing | | ENG 920348 - |
| 8 | VOE20405672 | 1 | | | | | | | Screw | | |
| 9 | VOE20405605 | 1 | | | | | | | Cover | | |
| 10 | VOE960630 | 2 | | | | | | | Plug | | |
| 11 | VOE13947621 | 2 | | | | | | | Plane gasket | | |

| | | | | | | | | | | | |
|----|-------------|---|--|--|--|--|--|--|--------------|--|---------------|
| 12 | VOE20405740 | 1 | | | | | | | Cover | | (VOE20459901) |
| 13 | VOE20405652 | 1 | | | | | | | Sealing ring | | (VOE11700625) |
| 14 | VOE20450799 | 1 | | | | | | | Cover | | |
| 15 | VOE20405709 | 4 | | | | | | | Screw | | |
| 16 | VOE20490808 | 1 | | | | | | | Cover | | |
| 17 | VOE20450801 | 1 | | | | | | | Screw | | |
| 18 | VOE20459908 | 1 | | | | | | | Bolt | | |
| 19 | VOE20460087 | 1 | | | | | | | Washer | | |
| 20 | VOE20460092 | 1 | | | | | | | Bushing | | |

| | | | |
|----------------------------|-------------------------------|----------------------------------|-----------------------------------------------------------------------------------------|
| Date: 2013/10/26 | Image id: 1035429 | Catalogue: 56141 | Model: EC210B F |
| Brand: Volvo | Serial: 10457-70000 | Group/Section: 216/100 | Title: Crankshaft and related parts 8277784,8278912,8278913,8278914 |



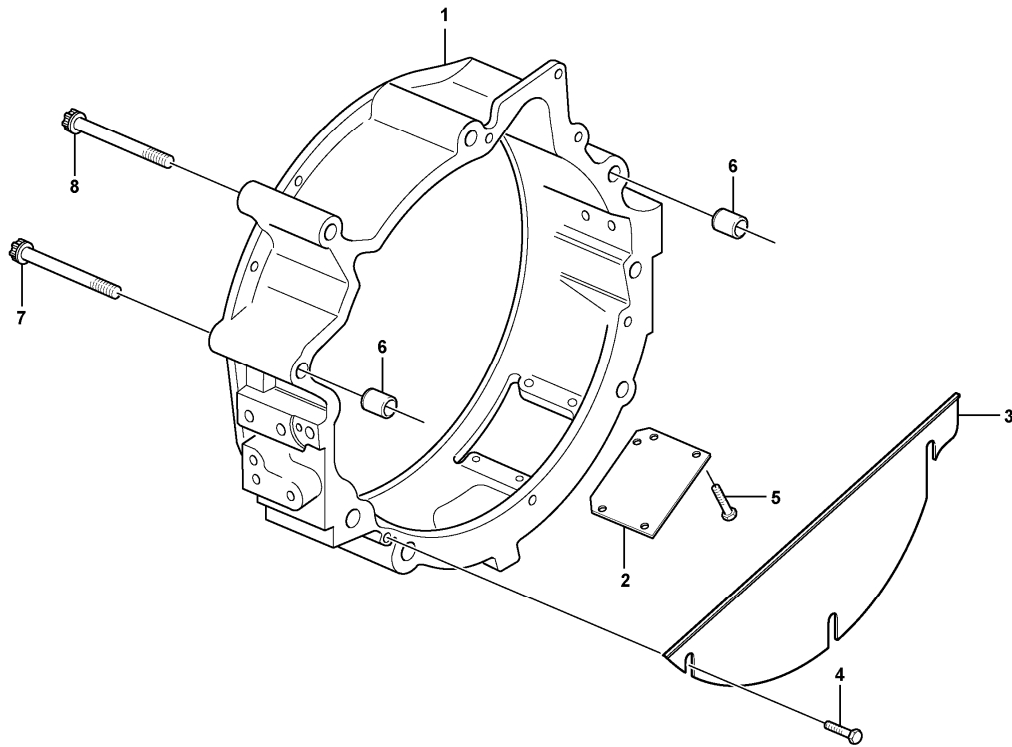
Volvo Construction
Equipment
1035429

| Section option | Kit | Option description |
|----------------|-----|------------------------------------------------------|
| VOE8277784 | | Basic Machine EC210B |
| VOE8278912 | | Engine with Epa label EMISSION CERTIFICATED FROM EPA |
| VOE8278913 | | Engine with Eu label EMISSION CERTIFICATED FROM EU |
| VOE8278914 | | Engine without Epa label INT AND KOREAN MARKET |

| Pos | Part | Q1 | Q2 | Q3 | Q4 | Q5 | PS | Kit | Description | Option(s) | Remark |
|-----|-------------|-----|----|----|----|----|----|-----|---------------|-----------|----------------------------|
| 1 | VOE20459146 | 1 | | | | | | | Crankshaft | | ENG - 851836 |
| | VOE20769707 | 1 | | | | | SS | | Crankshaft | | ENG 851837 - 1022416 |
| | VOE21351400 | 1 | | | | | | | Crankshaft | | (VOE20785969)ENG 1022417- |
| 2 | VOE20459140 | 7 | | | | | | | Main bearing | | STD 84,00 MM |
| | VOE20459139 | 7 | | | | | | | Main Bearing | | U SZ 83,75 MM |
| 3 | VOE20459143 | REQ | | | | | | | Washer | | STD WID 10 MM THICK 2,0 MM |
| | VOE20459142 | REQ | | | | | | | Thrust Washer | | WID 10 MM THICK 2,2 |

| | | | | | | | | | | MM | |
|----|-------------|-----|--|--|--|--|--|--|-----------------|----|-------------------------------|
| | VOE20459149 | REQ | | | | | | | Thrust washer | | STD WID 14 MM THICK 2,0 MM |
| | VOE20459148 | REQ | | | | | | | Thrust Washer | | WID 14 MM THICK 2,2 MM |
| 4 | VOE20459144 | 1 | | | | | | | Insert | | |
| 5 | VOE20882905 | 6 | | | | | | | Connecting Rod | | |
| 6 | VOE20523284 | 6 | | | | | | | •Bushing | | |
| 7 | VOE20459134 | 12 | | | | | | | •Pin | | |
| 8 | VOE20459133 | 12 | | | | | | | •Bolt | | |
| 9 | VOE20555403 | 6 | | | | | | | Bearing | | ENG - 695616 STD 63,00 MM |
| | VOE20459147 | 6 | | | | | | | Bearing | | ENG - 695616 U SZ 62,75 MM |
| | VOE20480536 | 6 | | | | | | | Bearing | | ENG 695617 - STD 63,00 MM |
| | VOE20522433 | 6 | | | | | | | Bearing | | ENG 695617 - U SZ 62,75 MM |
| 10 | VOE20459115 | 1 | | | | | | | Crankshaft seal | | |
| 11 | VOE20524696 | 1 | | | | | | | Flywheel | | |
| 12 | VOE20405650 | 1 | | | | | | | •Gear | | |
| 13 | VOE20405654 | 10 | | | | | | | Bolt | | |
| 14 | VOE20405643 | 5 | | | | | | | Plug | | |
| 15 | VOE20459152 | 1 | | | | | | | Pulley | | |
| 16 | VOE20405634 | 1 | | | | | | | Spring pin | | |
| 17 | VOE20450628 | 1 | | | | | | | Pin | | |
| 18 | VOE20405724 | 4 | | | | | | | Screw | | |
| 19 | VOE20459155 | 1 | | | | | | | Pulley | | |
| 20 | VOE20459156 | 4 | | | | | | | Screw | | |
| 21 | | 1 | | | | | | | Piston | | See ref 213/100 |

| | | | |
|----------------------------|-------------------------------|----------------------------------|-------------------------------------------------------------------|
| Date: 2013/10/26 | Image id: 1027113 | Catalogue: 56141 | Model: EC210B F |
| Brand: Volvo | Serial: 10457-70000 | Group/Section: 216/200 | Title: Flywheel housing 8277784,8278912,8278913,8278914 |

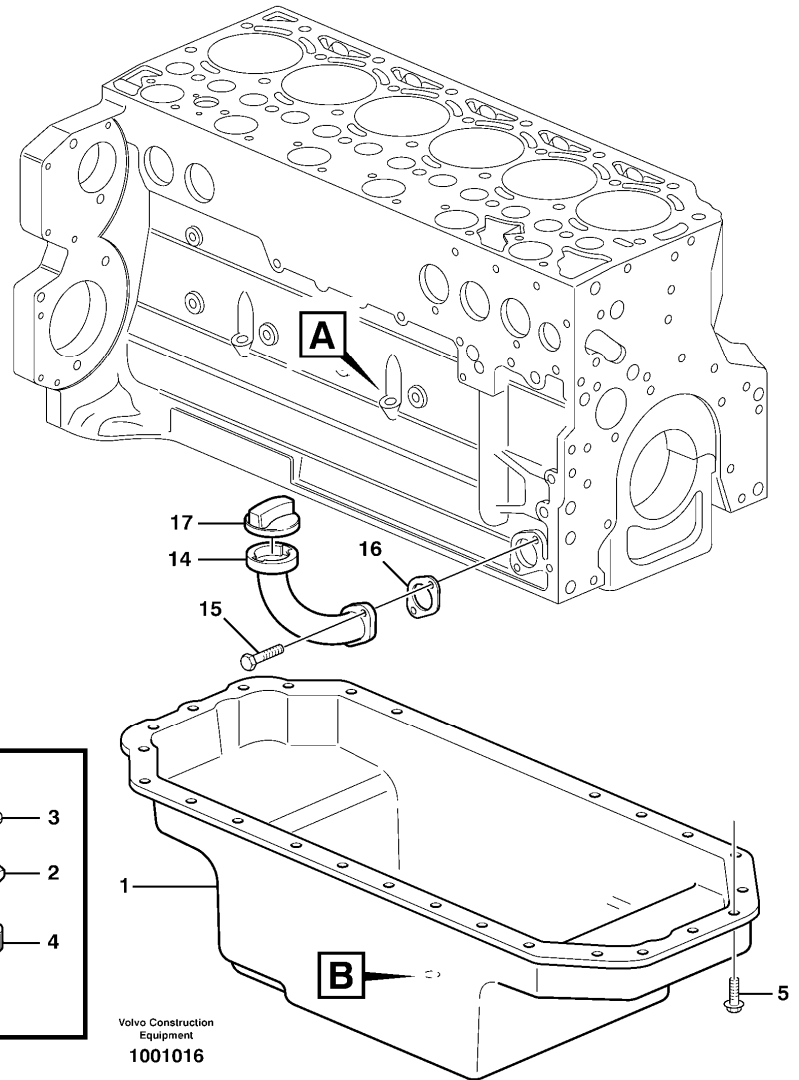
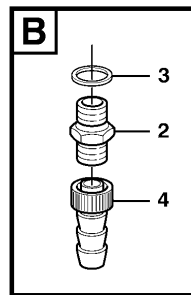
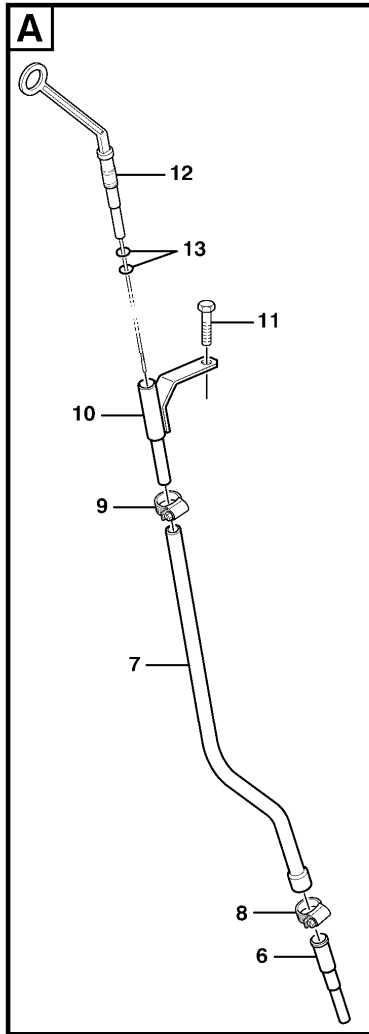


Volvo Construction
Equipment
1027113

| Section option | Kit | Option description |
|----------------|-----|------------------------------------------------------|
| VOE8277784 | | Basic Machine EC210B |
| VOE8278912 | | Engine with Epa label EMISSION CERTIFICATED FROM EPA |
| VOE8278913 | | Engine with Eu label EMISSION CERTIFICATED FROM EU |
| VOE8278914 | | Engine without Epa label INT AND KOREAN MARKET |

| Pos | Part | Q1 | Q2 | Q3 | Q4 | Q5 | PS | Kit | Description | Option(s) | Remark |
|-----|-------------|----|----|----|----|----|----|-----|--------------|-----------|-----------------------------|
| 1 | VOE21018780 | 1 | | | | | | | Flywheel Hsg | | (VOE20744652)ENG - 01099408 |
| 1 | VOE21018780 | 1 | | | | | | | Flywheel Hsg | | (VOE21044436)ENG 01099409 - |
| 2 | VOE20547288 | 1 | | | | | | | •Cover Plate | | |
| 3 | VOE20459989 | 1 | | | | | | | •Cover | | |
| 4 | VOE20405729 | 3 | | | | | | | •Screw | | |
| 5 | VOE20405729 | 4 | | | | | | | •Screw | | |
| 6 | VOE20585971 | 2 | | | | | | | Bushing | | |

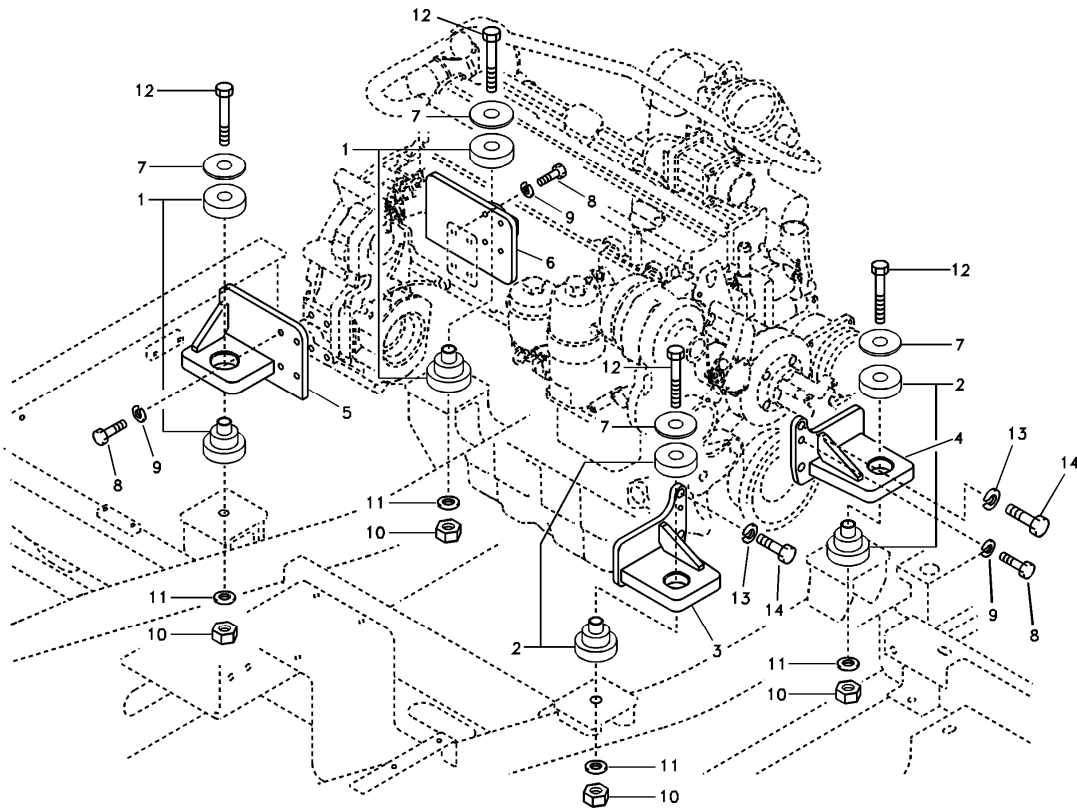
| | | | |
|----------------------------|-------------------------------|----------------------------------|-----------------------------------------------------------|
| Date: 2013/10/26 | Image id: 1001016 | Catalogue: 56141 | Model: EC210B F |
| Brand: Volvo | Serial: 10457-70000 | Group/Section: 217/100 | Title: Oil sump 8277784,8278912,8278913,8278914 |



| Section option | Kit | Option description |
|----------------|-----|------------------------------------------------------|
| VOE8277784 | | Basic Machine EC210B |
| VOE8278912 | | Engine with Epa label EMISSION CERTIFICATED FROM EPA |
| VOE8278913 | | Engine with Eu label EMISSION CERTIFICATED FROM EU |
| VOE8278914 | | Engine without Epa label INT AND KOREAN MARKET |

| Pos | Part | Q1 | Q2 | Q3 | Q4 | Q5 | PS | Kit | Description | Option(s) | Remark |
|-----|-------------|----|----|----|----|----|----|-----|-------------|-----------|----------------|
| 1 | VOE20482783 | 1 | | | | | | | Oil pan | | ENG - 01099344 |
| 1 | VOE20840491 | 1 | | | | | | | Oil Pan | | ENG 01099345 - |
| | VOE20460022 | 1 | | | | | | | Gasket | | |
| 2 | VOE20450851 | 1 | | | | | | | Drain valve | | |
| 3 | VOE11700303 | 1 | | | | | SS | | •Seal | | (VOE7011998) |

| | | | |
|----------------------------|-------------------------------|----------------------------------|-------------------------------|
| Date: 2013/10/26 | Image id: TA102 | Catalogue: 56141 | Model: EC210B F |
| Brand: Volvo | Serial: 10457-70000 | Group/Section: 218/100 | Title: Engine mount |



Volvo Construction
Equipment
TA102

| Section option | Kit | Option description |
|----------------|-----|----------------------|
| VOE8277784 | | Basic Machine EC210B |

| Q1-Q5 | Option | Option description |
|------------|------------|----------------------|
| Q1 8277784 | VOE8277784 | Basic Machine EC210B |

| Pos | Part | Q1 | Q2 | Q3 | Q4 | Q5 | PS | Kit | Description | Option(s) | Remark |
|-----|-------------|----|----|----|----|----|----|-----|---------------|-----------|--------|
| 1 | VOE14526155 | 2 | | | | | | | Cushion | | |
| 2 | VOE14526154 | 2 | | | | | | | Cushion | | |
| 3 | VOE14512285 | 1 | | | | | | | Bracket | | |
| 4 | VOE14512286 | 1 | | | | | | | Bracket | | |
| 5 | VOE14504925 | 1 | | | | | | | Bracket | | |
| 6 | VOE14504926 | 1 | | | | | | | Bracket | | |
| 7 | VOE14526169 | 4 | | | | | | | Plate | | |
| 8 | VOE978933 | 10 | | | | | | | Hexagon screw | | |
| 9 | VOE955923 | 10 | | | | | | | Spring washer | | |

| | | | | | | | | | | | |
|----|--------------|---|--|--|--|--|--|--|---------------|--|------------------------------------------|
| 10 | SA9111-12200 | 4 | | | | | | | Hexagon nut | | SER NO 10001-12172 SER NO 30001-30198 |
| | VOE14512933 | 4 | | | | | | | Nut | | SER NO 12173- SER NO 30199- |
| 11 | SA9211-22000 | 4 | | | | | | | Washer | | |
| 12 | SA9011-22220 | 4 | | | | | | | Hexagon screw | | |
| 13 | VOE955926 | 4 | | | | | | | Spring washer | | |
| 14 | VOE978938 | 4 | | | | | | | Hexagon screw | | |



Suggest:

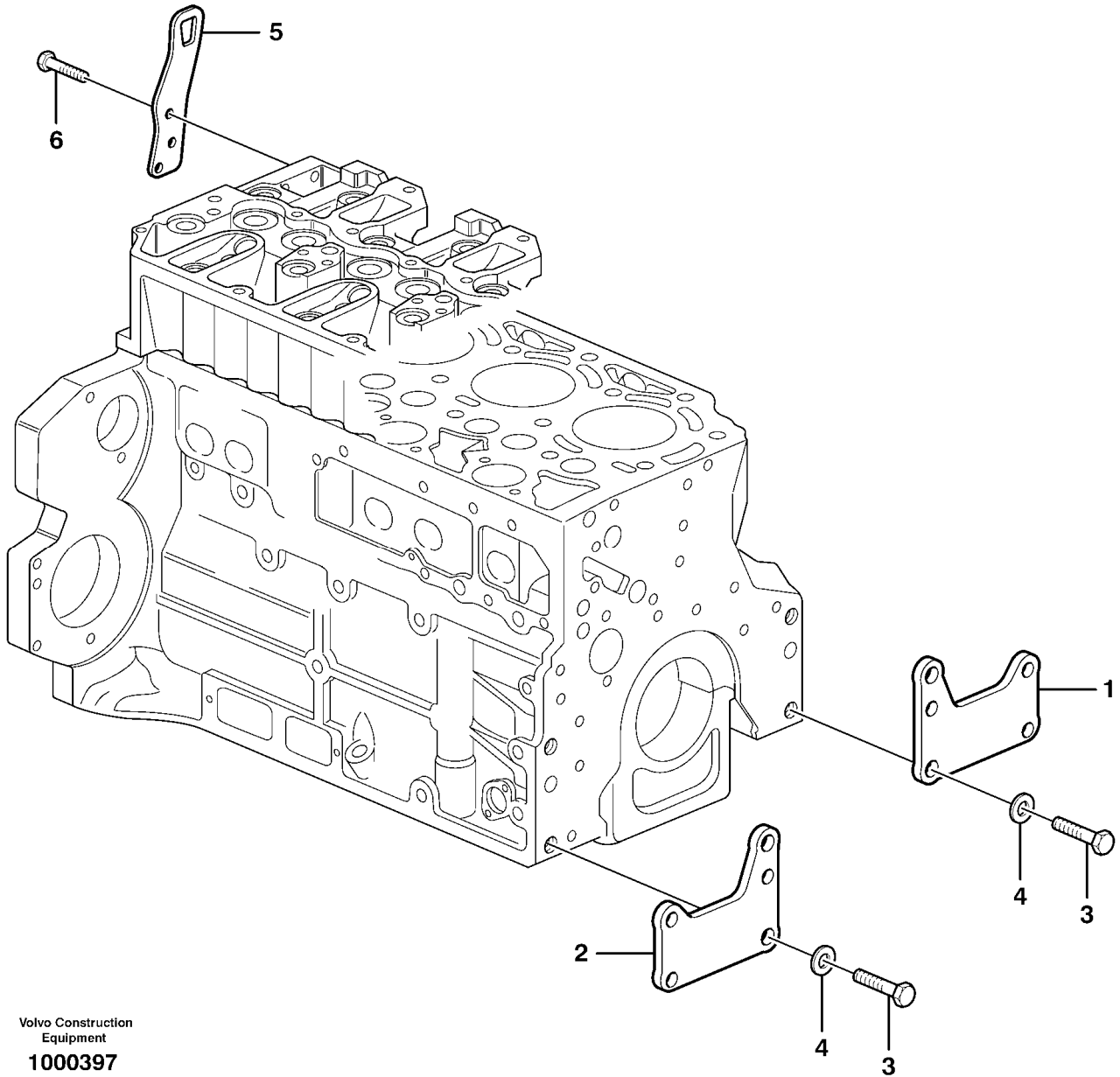
For more complete manuals. Please go to the home page.

<https://www.ebooklibonline.com>

If the above button click is invalid. Please download this document first, and then click the above link to download the complete manual.

Thank you so much for reading

| | | | |
|----------------------------|-------------------------------|----------------------------------|------------------------------------------------------------------|
| Date: 2013/10/26 | Image id: 1000397 | Catalogue: 56141 | Model: EC210B F |
| Brand: Volvo | Serial: 10457-70000 | Group/Section: 218/200 | Title: Engine mounting 8277784,8278912,8278913,8278914 |



| Section option | Kit | Option description |
|----------------|-----|------------------------------------------------------|
| VOE8277784 | | Basic Machine EC210B |
| VOE8278912 | | Engine with Epa label EMISSION CERTIFICATED FROM EPA |
| VOE8278913 | | Engine with Eu label EMISSION CERTIFICATED FROM EU |
| VOE8278914 | | Engine without Epa label INT AND KOREAN MARKET |

| Pos | Part | Q1 | Q2 | Q3 | Q4 | Q5 | PS | Kit | Description | Option(s) | Remark |
|-----|-------------|----|----|----|----|----|----|-----|-------------|-----------|--------|
| 1 | VOE20723978 | 1 | | | | | | | Bracket | | |

| | | | | | | | | | | | |
|---|-------------|---|--|--|--|--|----|--|-------------|--|---------------|
| 2 | VOE20723984 | 1 | | | | | | | Bracket | | |
| 3 | VOE20535027 | 4 | | | | | | | Screw | | |
| 4 | VOE20405606 | 4 | | | | | | | Washer | | (VOE20527151) |
| 5 | VOE20450853 | 1 | | | | | NS | | Lifting eye | | |
| 6 | VOE20450856 | 3 | | | | | | | Screw | | |

<https://www.ebooklibonline.com>

Hello dear friend!

Thank you very much for reading.

Enter the link into your browser.

The full manual is available for immediate download.

<https://www.ebooklibonline.com>