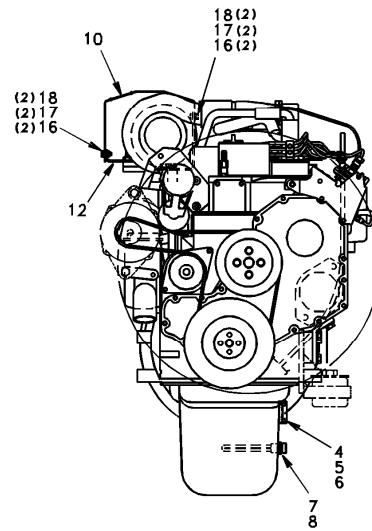
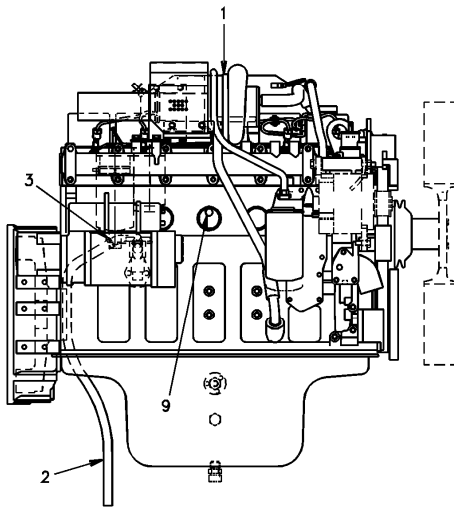
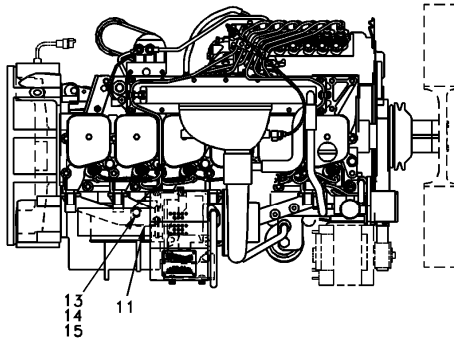


Date: <b>2013/10/26</b>	Image id: <b>1005622</b>	Catalogue: <b>56117</b>	Model: <b>EC210</b>
Brand: <b>Volvo</b>	Serial: <b>3001-9999</b>	Group/Section: <b>210/100</b>	Title: <b>Engine</b>



Volvo Construction  
Equipment  
1005622

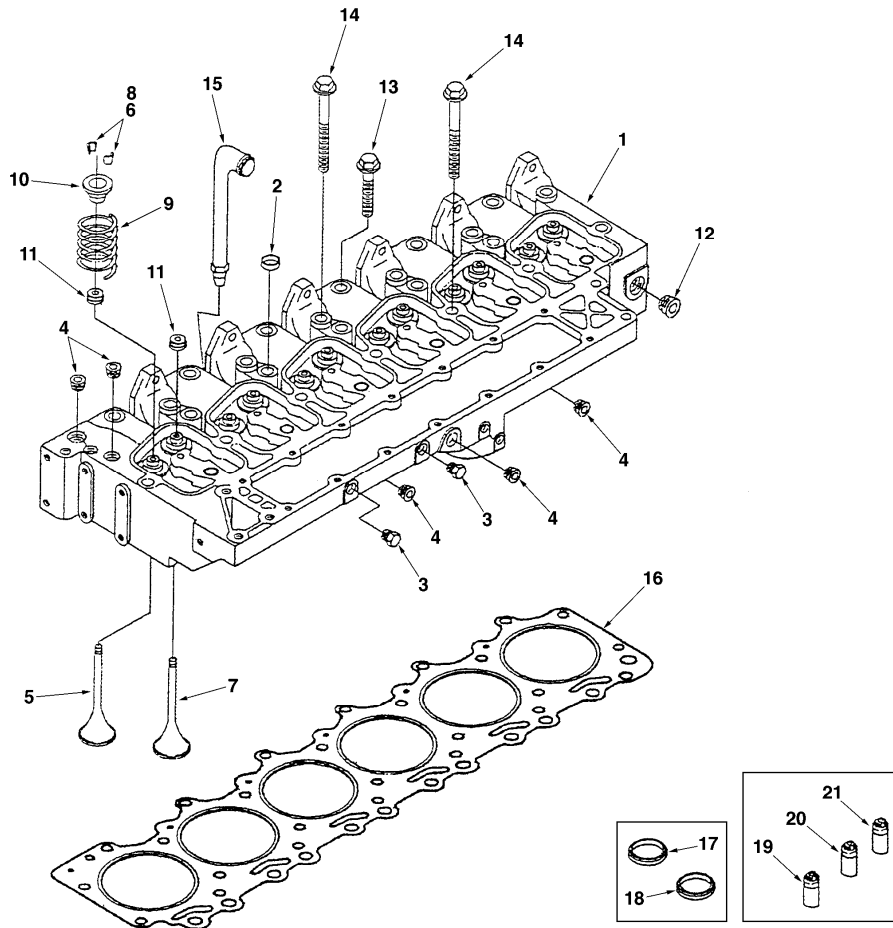
Section option	Kit	Option description
SADD04B001		Without air pre-heater for engine
SADD04B002		Air heater for engine Common
SADD04C001		Engine block heater 120V
SADD04C002		Engine block heater 240V
SADD11A002		Anti-slip treads for Engine room maintenance

Q1-Q5	Option	Option description	
Q1 DD04B001	SADD04B001	Without air pre-heater for engine	
Q2 DD04B002	SADD04B002	Air heater for engine Common	
Q3 DD04C001	SADD04C001	Engine block heater 120V	
Q4 DD04C002	SADD04C002	Engine block heater 240V	
Q5 DD11A002	SADD11A002	Anti-slip treads for Engine room maintenance	

Pos	Part	Q1	Q2	Q3	Q4	Q5	PS	Kit	Description	Option(s)	Remark
1	SA1111-00313	1							Engine		Tropical

	SA1111-00013		1					Engine		STD
2	SA9952-19017	1	1					Hose		
3	SA9312-10175	1	1					Clamp		
4	SA1111-00221	1	1					Connector		
5	SA9511-22025	1	1					O-ring		
6	SA9016-10603	3	3					Bolt		
7	SA2011-00440			1				Heater		120V
	SA2011-00430				1			Heater		240V
8	SA9426-20080			1	1			Gasket		
9	SA2011-00500			1				Heater		
	SA2011-00490				1			Heater		
10	SA1111-00491					1		Screen		
11	SA1111-00240					1		Bracket		
12	SA1111-00250					1		Bracket		
13	VOE983250					2		Hexagon screw		
14	SA9211-10000					2		Washer		
15	VOE955922					2		Spring washer		
16	VOE983241					4		Hexagon screw		
17	SA9211-08000					4		Washer		
18	VOE955921					4		Spring washer		

Date: <b>2013/10/26</b>	Image id: <b>SA102</b>	Catalogue: <b>56117</b>	Model: <b>EC210</b>
Brand: <b>Volvo</b>	Serial: <b>3001-9999</b>	Group/Section: <b>211/100</b>	Title: <b>Cylinder head</b>



Volvo Construction  
Equipment Group  
SA102

Section option	Kit	Option description
SADD04B001		Without air pre-heater for engine
SADD04B002		Air heater for engine Common

Q1-Q5	Option	Option description	
Q1 DD04B001	SADD04B001	Without air pre-heater for engine	
Q2 DD04B002	SADD04B002	Air heater for engine Common	

Pos	Part	Q1	Q2	Q3	Q4	Q5	PS	Kit	Description	Option(s)	Remark
1	SA3934769	1	1						Head_cylinder		
	SA3930421	1	1				NS		•Head		
2	SA3812092	5	5						•Plug		
3	SA3906619	2	2						•Plug		
4	SA3008468	5	5						•Tube plug		
5	SA3802355	6	6						•Valve		INLET
	SA3802355	6	6						••Valve		

**<https://www.ebooklibonline.com>**

Hello dear friend!

Thank you very much for reading.

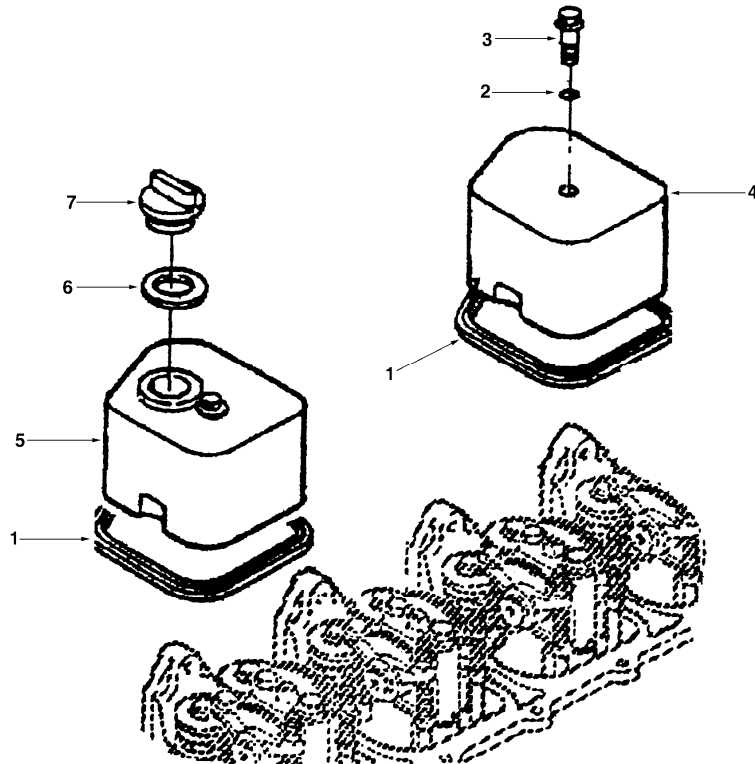
Enter the link into your browser.

The full manual is available for immediate download.

**<https://www.ebooklibonline.com>**

6	SA3900250	12	12						••Collet		
7	SA3802356	6	6						•Valve		EXHAUST
	SA3802356	6	6						••Valve		
8	SA3900250	12	12						••Collet		
9	SA3926700	12	12						•Spring		
10	SA3900299	12	12						•Retainer		
11	SA3921640	6	6						•Sealing		
12	SA3008469	1	1						•Plug		
13	SA3920779	6	6						Bolt		
14	SA3920780	14	14						Bolt		
15	SA3926446	1	1						Pipe		
16	SA3283335	1	1						Gasket		
17	SA3904105	REQ	REQ						Seat		EXHAUST
18	SA3906854	REQ	REQ						Seat		INLET
19	SA3904408	REQ	REQ						Guide		INTAKE
20	SA3904409	REQ	REQ						Guide		EXHAUST
21	SA3906206	REQ	REQ						Guide		I & E

Date: <b>2013/10/26</b>	Image id: <b>SA103</b>	Catalogue: <b>56117</b>	Model: <b>EC210</b>
Brand: <b>Volvo</b>	Serial: <b>3001-9999</b>	Group/Section: <b>211/200</b>	Title: <b>Valve cover</b>



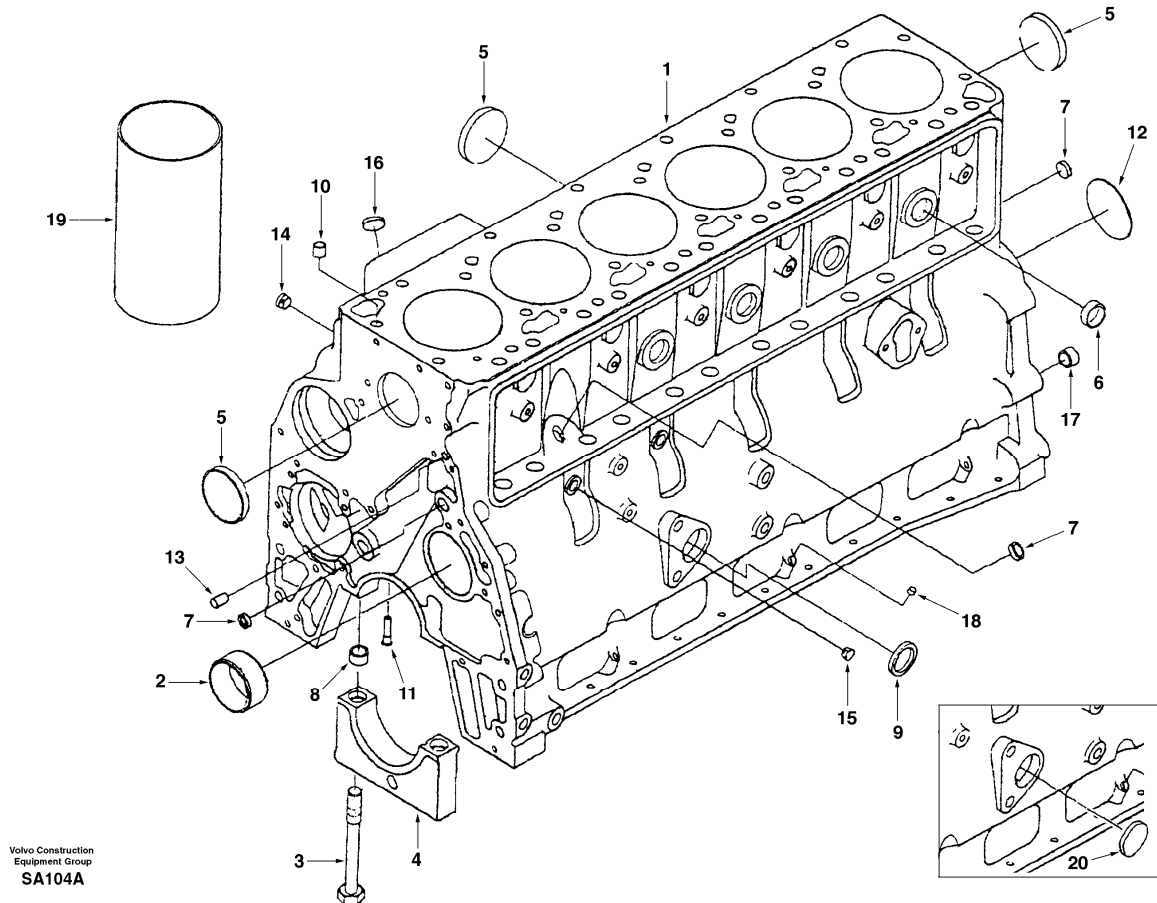
Volvo Construction  
Equipment Group  
SA103

Section option	Kit	Option description
SADD04B001		Without air pre-heater for engine
SADD04B002		Air heater for engine Common

Q1-Q5	Option	Option description	
Q1 DD04B001	SADD04B001	Without air pre-heater for engine	
Q2 DD04B002	SADD04B002	Air heater for engine Common	

Pos	Part	Q1	Q2	Q3	Q4	Q5	PS	Kit	Description	Option(s)	Remark
1	SAJ902666L	6	6						Gasket		
2	SA3935449	6	6						Housing		
3	SA3907049	6	6						Screw		
4	SA3928404	5	5						Cover		
5	SA3928405	6	6						Cover		
6	SA3902363L	1	1						Sealing		
7	SA3901895	1	1						Cap		

Date: <b>2013/10/26</b>	Image id: <b>SA104A</b>	Catalogue: <b>56117</b>	Model: <b>EC210</b>
Brand: <b>Volvo</b>	Serial: <b>3001-9999</b>	Group/Section: <b>212/100</b>	Title: <b>Cylinder block</b>



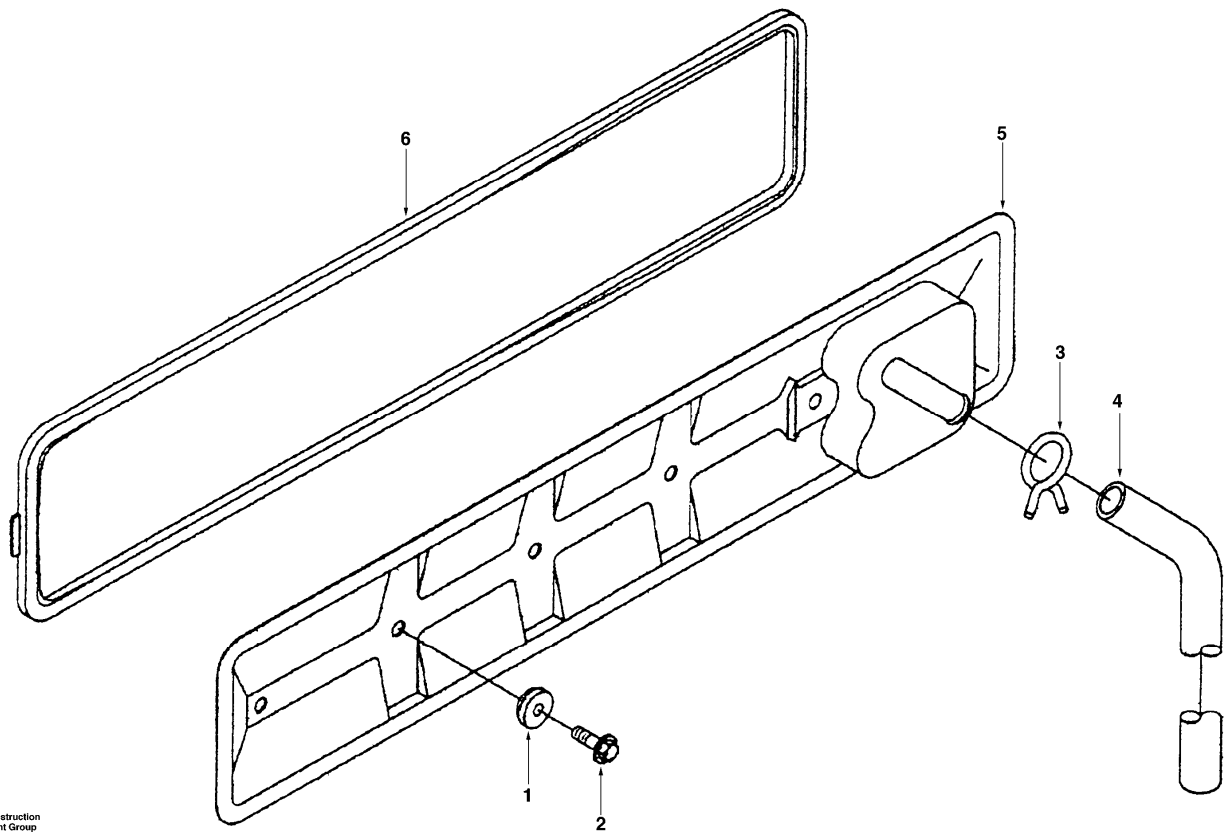
Section option	Kit	Option description
SADD04B001		Without air pre-heater for engine
SADD04B002		Air heater for engine Common

Q1-Q5	Option	Option description	
Q1 DD04B001	SADD04B001	Without air pre-heater for engine	
Q2 DD04B002	SADD04B002	Air heater for engine Common	

Pos	Part	Q1	Q2	Q3	Q4	Q5	PS	Kit	Description	Option(s)	Remark
1	SA3905810	1	1						Cylinder Block		
2	SA3901306	1	1						•Bushing		
3	SA3904217	14	14						•Screw		
4	SA3936791	7	7						•Cap		
5	SA3922072	6	6						•Plug		
6	SA3007635	4	4						•Plug		
7	SA3900956	3	3						•Plug		

8	SA3900068	14	14						•Ring		
9	SA3900958	1	1					K	•Plug		
10	SA3902343	2	2					K	•Ring		
11	SA3937214	6	6					K	•Nozzle		
12	SA3900687	1	1					K	•Plug		
13	SA3900257	2	2					K	•Locating pin		
14	SA3008468	1	1					K	•Tube plug		
15	SA3906619	2	2					K	•Plug		
16	SA3027646	1	1					K	•Plug		
17	SA3900068	2	2					K	•Ring		
18	SA3900955	2	2					K	•Plug		
19	SAJ904166	REQ	REQ						Liner_piston		STANDARD BORE
20	SA3900958	1	1						Plug		
100	SA3933220	1	1						Kit		SS 3933220

Date: <b>2013/10/26</b>	Image id: <b>SA105</b>	Catalogue: <b>56117</b>	Model: <b>EC210</b>
Brand: <b>Volvo</b>	Serial: <b>3001-9999</b>	Group/Section: <b>212/200</b>	Title: <b>Crankcase ventilation</b>



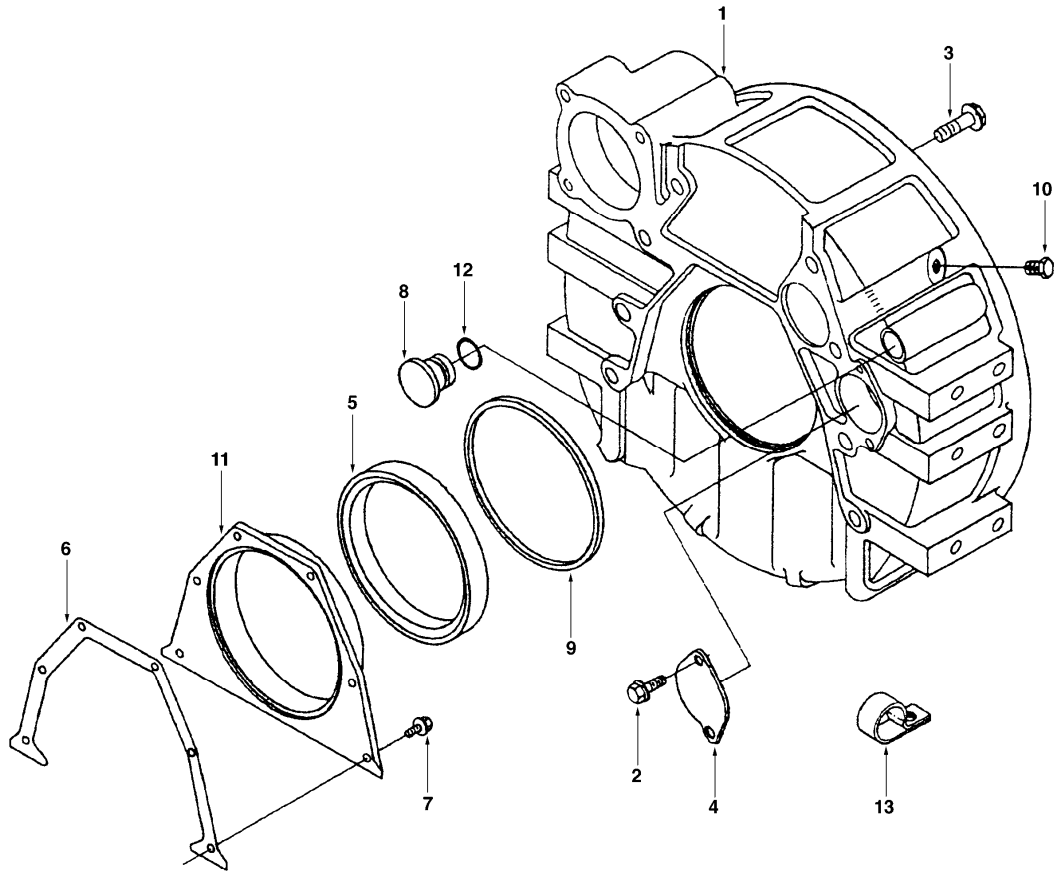
Volvo Construction  
Equipment Group  
SA105

Section option	Kit	Option description
SADD04B001		Without air pre-heater for engine
SADD04B002		Air heater for engine Common

Q1-Q5	Option	Option description	
Q1 DD04B001	SADD04B001	Without air pre-heater for engine	
Q2 DD04B002	SADD04B002	Air heater for engine Common	

Pos	Part	Q1	Q2	Q3	Q4	Q5	PS	Kit	Description	Option(s)	Remark
1	SA3928759	6	6						Seal		
2	SA3900629	6	6						Screw		
3	SA3904230	1	1						Clamp		
4	SA9952-19017	1	1						Hose		
5	SA3927913	1	1						Cover		
6	SA3284623	1	1						Gasket		(SA3928832)

Date: <b>2013/10/26</b>	Image id: <b>SA106</b>	Catalogue: <b>56117</b>	Model: <b>EC210</b>
Brand: <b>Volvo</b>	Serial: <b>3001-9999</b>	Group/Section: <b>212/300</b>	Title: <b>Flywheel housing</b>



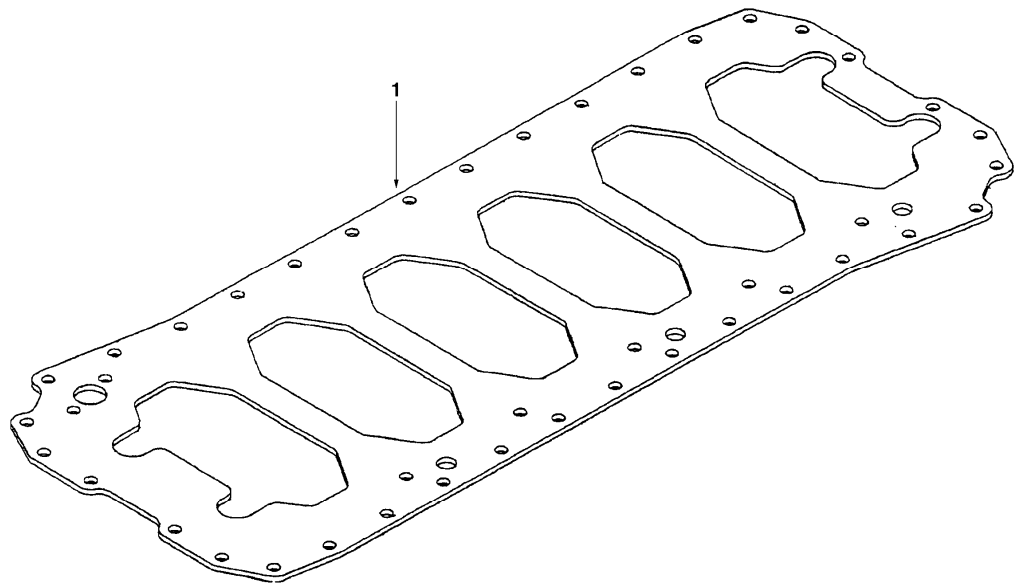
Section option	Kit	Option description
SADD04B001		Without air pre-heater for engine
SADD04B002		Air heater for engine Common

Q1-Q5	Option	Option description	
Q1 DD04B001	SADD04B001	Without air pre-heater for engine	
Q2 DD04B002	SADD04B002	Air heater for engine Common	

Pos	Part	Q1	Q2	Q3	Q4	Q5	PS	Kit	Description	Option(s)	Remark
1	SA3937426	1	1						Flywheel housing		
2	SA3912072	2	2						Screw		
3	SA3920447	8	8						Screw		
4	SA3925234	1	1						Plate		
5	SA3926126	1	1						Sealing kit		
6	SA3928493	1	1						Gasket		
7	SA3913638	6	6						Screw		

8	SA3910248	1	1						Plug		
9	SA3912473L	1	1						Sealing		
10	SA3904181	1	1						Plug		
11	SA3936904	1	1						Cover_rear		
12	SA3910260	1	1						Seal		
13	SA3923610	1	1						Clip		

Date: <b>2013/10/26</b>	Image id: <b>SA107</b>	Catalogue: <b>56117</b>	Model: <b>EC210</b>
Brand: <b>Volvo</b>	Serial: <b>3001-9999</b>	Group/Section: <b>212/400</b>	Title: <b>Noise panel</b>



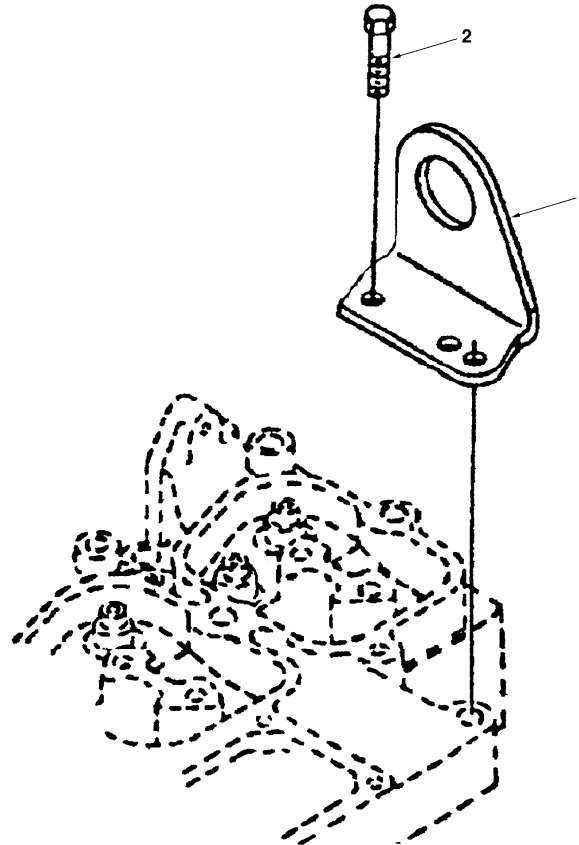
Volvo Construction  
Equipment Group  
SA107

Section option	Kit	Option description
SADD04B001		Without air pre-heater for engine
SADD04B002		Air heater for engine Common

Q1-Q5	Option	Option description	
Q1 DD04B001	SADD04B001	Without air pre-heater for engine	
Q2 DD04B002	SADD04B002	Air heater for engine Common	

Pos	Part	Q1	Q2	Q3	Q4	Q5	PS	Kit	Description	Option(s)	Remark
1	SA3941556	1	1						Plate		

Date: <b>2013/10/26</b>	Image id: <b>SA108</b>	Catalogue: <b>56117</b>	Model: <b>EC210</b>
Brand: <b>Volvo</b>	Serial: <b>3001-9999</b>	Group/Section: <b>212/500</b>	Title: <b>Lifting eye</b>



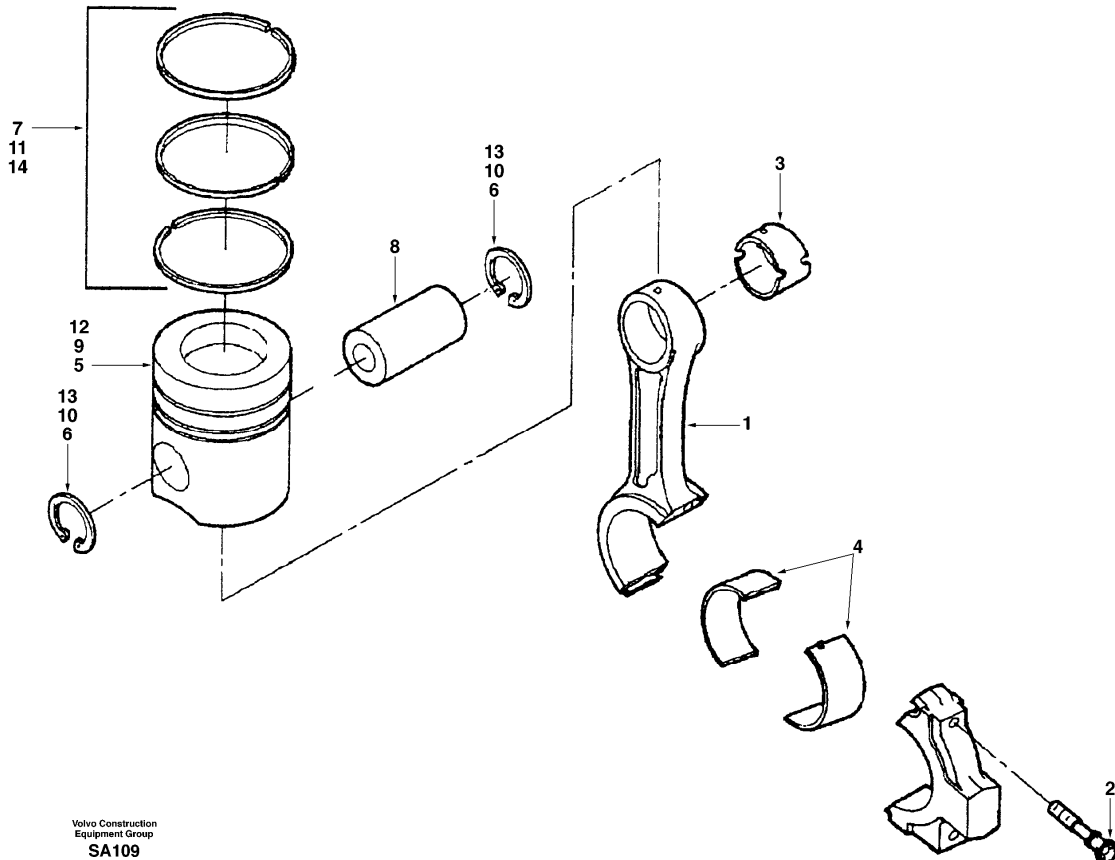
Volvo Construction  
Equipment Group  
SA108

Section option	Kit	Option description
SADD04B001		Without air pre-heater for engine
SADD04B002		Air heater for engine Common

Q1-Q5	Option	Option description	
Q1 DD04B001	SADD04B001	Without air pre-heater for engine	
Q2 DD04B002	SADD04B002	Air heater for engine Common	

Pos	Part	Q1	Q2	Q3	Q4	Q5	PS	Kit	Description	Option(s)	Remark
1	SA3908118	1	1						Bracket		
2	SA3910495	2	2						Bolt		

Date: <b>2013/10/26</b>	Image id: <b>SA109</b>	Catalogue: <b>56117</b>	Model: <b>EC210</b>
Brand: <b>Volvo</b>	Serial: <b>3001-9999</b>	Group/Section: <b>213/100</b>	Title: <b>Connecting rod and piston</b>



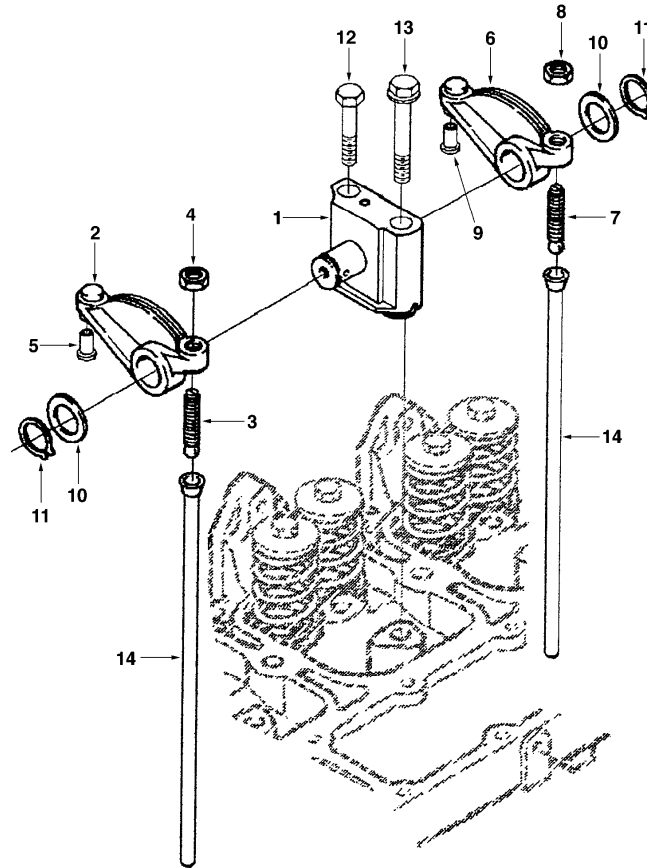
Section option	Kit	Option description
SADD04B001		Without air pre-heater for engine
SADD04B002		Air heater for engine Common

Q1-Q5	Option	Option description	
Q1 DD04B001	SADD04B001	Without air pre-heater for engine	
Q2 DD04B002	SADD04B002	Air heater for engine Common	

Pos	Part	Q1	Q2	Q3	Q4	Q5	PS	Kit	Description	Option(s)	Remark
1	SA3942581	6	6						Connecting Rod		
2	SA3900919	2	2						•Screw		
3	SA3941476	1	1						•Bushing		
4	SA3901170	2	2						Bearing		STD
	SA3901171	REQ	REQ						Bearing		0.25MM O SZ
	SA3901172	REQ	REQ						Bearing		0.50MM O SZ
	SA3901173	REQ	REQ						Bearing		0.75MM O SZ

	SA3901174	REQ	REQ						Bearing		1.00MM O SZ
5	SA3802747	6	6						Piston		STD
	SA3928673	1	1				NS		•Piston		
6	SA3901706	2	2						•Retaining ring		
7	SA3802746	1	1						•Piston ring kit		
8	SA3901793	6	6						Gudgeon pin		
9	SA3802764	6	6						Piston		0.50MM O SZ
	SA3928674	1	1				NS		•Piston		0.50MM O SZ
10	SA3901706	2	2						•Retaining ring		
11	SA3802422	1	1						•Ring		0.50MM O SZ
12	SA3802765	6	6						Piston		1.00MM O SZ
13	SA3901706	2	2						•Retaining ring		
14	SA3802423	1	1						•Ring		1.00MM O SZ

Date: <b>2013/10/26</b>	Image id: <b>SA110</b>	Catalogue: <b>56117</b>	Model: <b>EC210</b>
Brand: <b>Volvo</b>	Serial: <b>3001-9999</b>	Group/Section: <b>214/200</b>	Title: <b>Rocker arm</b>



Volvo Construction  
Equipment Group  
SA110

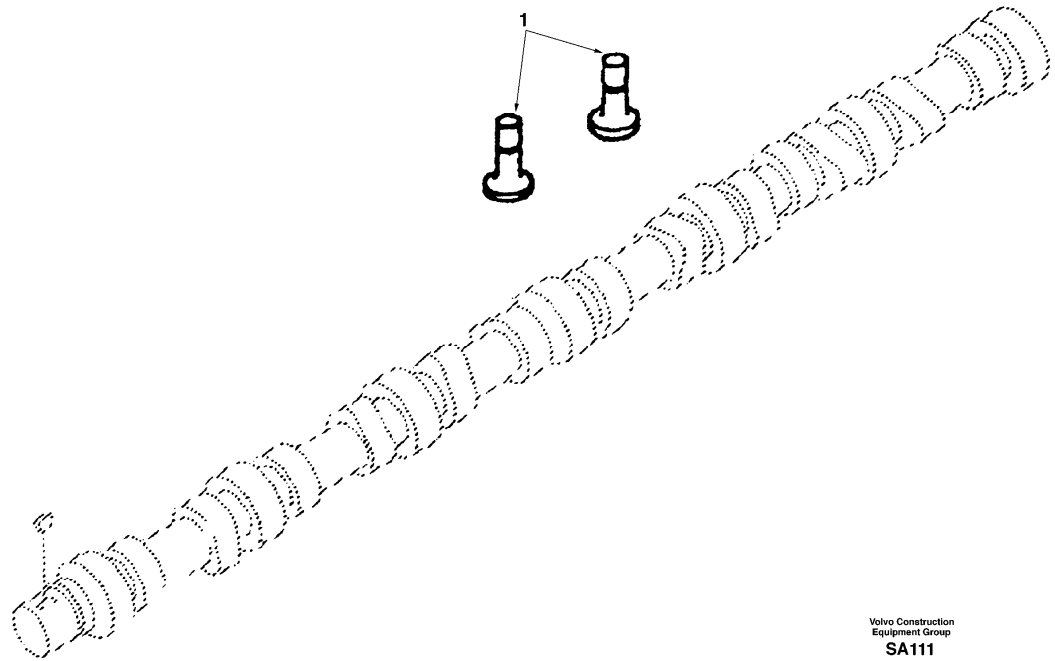
Section option	Kit	Option description
SADD04B001		Without air pre-heater for engine
SADD04B002		Air heater for engine Common

Q1-Q5	Option	Option description	
Q1 DD04B001	SADD04B001	Without air pre-heater for engine	
Q2 DD04B002	SADD04B002	Air heater for engine Common	

Pos	Part	Q1	Q2	Q3	Q4	Q5	PS	Kit	Description	Option(s)	Remark
1	SA3922488	6	6						Support		
	SA3911423	1	1				NS		•Support		
	SA3922487	1	1				NS		•Shaft		
2	SA3910811	6	6						Rocker Arm		INLET
	SA3910809	1	1				NS		•Lever		
3	SA3900706	1	1				SS		•Screw		
4	SA3927692	1	1						•Nut		

5	SA3900705	1	1				NS		•Insert		
6	SA3910810	6	6						Rocker Arm		EXHAUST
	SA3910808	1	1				NS		•Lever		
7	SA3900706	1	1				SS		•Screw		
8	SA3927692	1	1						•Nut		
9	SA3900705	1	1				NS		•Insert		
10	SA3900245	12	12						Washer		
11	SA3900242	12	12						Ring		
12	SA3901221	6	6						Bolt		
13	SA3920781	6	6						Bolt		
14	SA3284377	12	12						Bar		(SA3923262)

Date: <b>2013/10/26</b>	Image id: <b>SA111</b>	Catalogue: <b>56117</b>	Model: <b>EC210</b>
Brand: <b>Volvo</b>	Serial: <b>3001-9999</b>	Group/Section: <b>214/300</b>	Title: <b>Valve tappet</b>



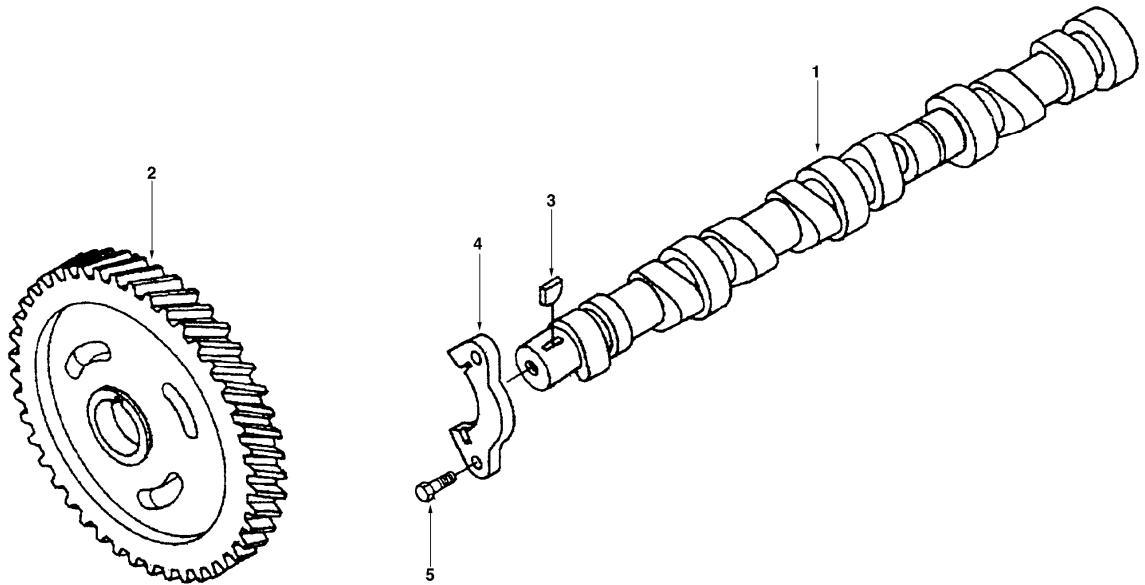
Volvo Construction  
Equipment Group  
**SA111**

Section option	Kit	Option description
SADD04B001		Without air pre-heater for engine
SADD04B002		Air heater for engine Common

Q1-Q5	Option	Option description	
Q1 DD04B001	SADD04B001	Without air pre-heater for engine	
Q2 DD04B002	SADD04B002	Air heater for engine Common	

Pos	Part	Q1	Q2	Q3	Q4	Q5	PS	Kit	Description	Option(s)	Remark
1	SA3931623	12	12						Tappet		(SA3925031)

Date: <b>2013/10/26</b>	Image id: <b>SA112</b>	Catalogue: <b>56117</b>	Model: <b>EC210</b>
Brand: <b>Volvo</b>	Serial: <b>3001-9999</b>	Group/Section: <b>215/100</b>	Title: <b>Camshaft</b>



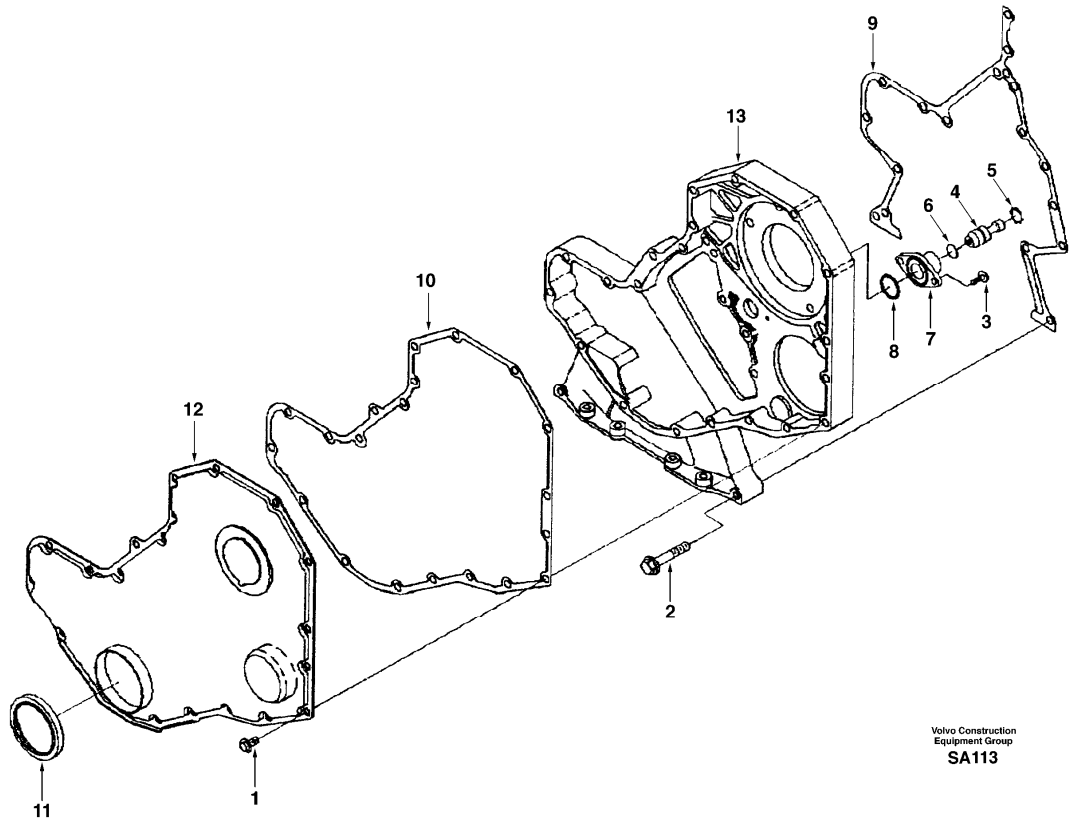
Volvo Construction  
Equipment Group  
SA112

Section option	Kit	Option description
SADD04B001		Without air pre-heater for engine
SADD04B002		Air heater for engine Common

Q1-Q5	Option	Option description	
Q1 DD04B001	SADD04B001	Without air pre-heater for engine	
Q2 DD04B002	SADD04B002	Air heater for engine Common	

Pos	Part	Q1	Q2	Q3	Q4	Q5	PS	Kit	Description	Option(s)	Remark
1	SA3929886	1	1						Camshaft		
2	SA3929030	1	1						Gear		
3	SA3902332	1	1						Key		
4	SA3927155	1	1						Support		
5	SA3900227	2	2						Screw		

Date: <b>2013/10/26</b>	Image id: <b>SA113</b>	Catalogue: <b>56117</b>	Model: <b>EC210</b>
Brand: <b>Volvo</b>	Serial: <b>3001-9999</b>	Group/Section: <b>215/200</b>	Title: <b>Timing gear casing</b>



Volvo Construction  
Equipment Group  
SA113

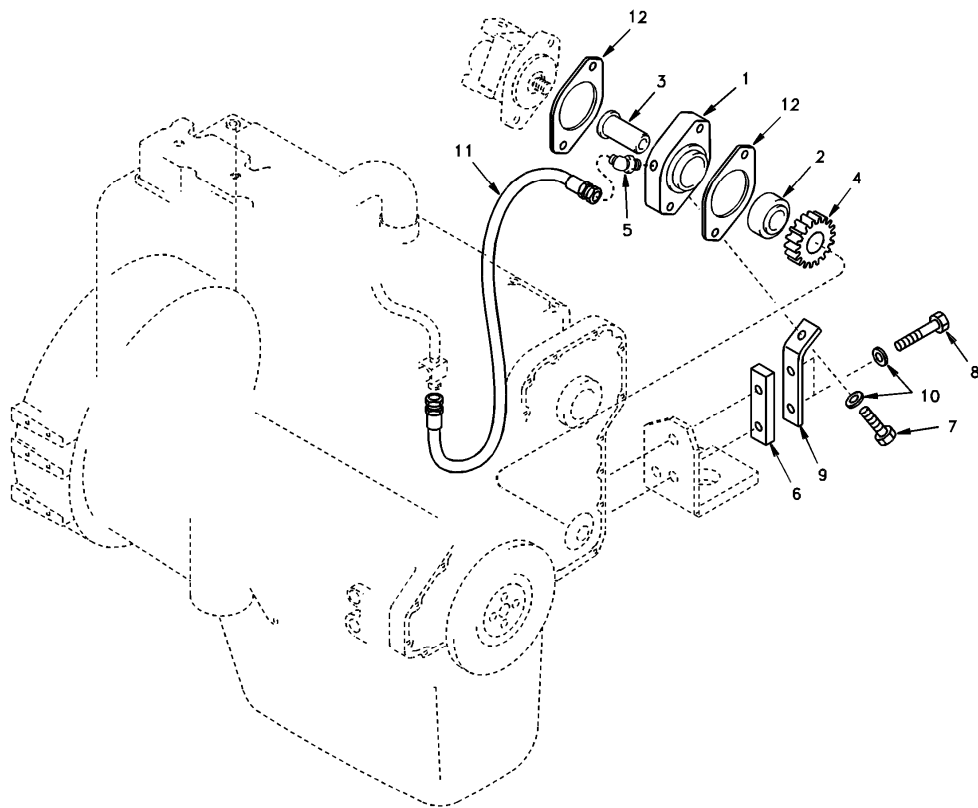
Section option	Kit	Option description
SADD04B001		Without air pre-heater for engine
SADD04B002		Air heater for engine Common

Q1-Q5	Option	Option description	
Q1 DD04B001	SADD04B001	Without air pre-heater for engine	
Q2 DD04B002	SADD04B002	Air heater for engine Common	

Pos	Part	Q1	Q2	Q3	Q4	Q5	PS	Kit	Description	Option(s)	Remark
1	SA3925883	13	13						Bolt		
2	SA3900633	11	11						Screw		
3	SA3907998	2	2						Screw		
4	SA3903924	1	1						Pin		
5	SA3904849	1	1						Ring		
6	SA3913994	1	1						Seal		
7	SA3913995	1	1				SS		Housing		

8	SA3915772	1	1				SS		Seal		
9	SA3916131	1	1				SS		Gasket		
10	SA3918673	1	1						Gasket		
11	SA3900709	1	1				SS		Seal		
12	SA3918675	1	1				SS		Cover		
13	SA3929565	1	1				SS		Housing		

Date: <b>2013/10/26</b>	Image id: <b>1005697</b>	Catalogue: <b>56117</b>	Model: <b>EC210</b>
Brand: <b>Volvo</b>	Serial: <b>3001-9999</b>	Group/Section: <b>215/300</b>	Title: <b>Pump drive power take-off</b>



Volvo Construction  
Equipment  
1005697

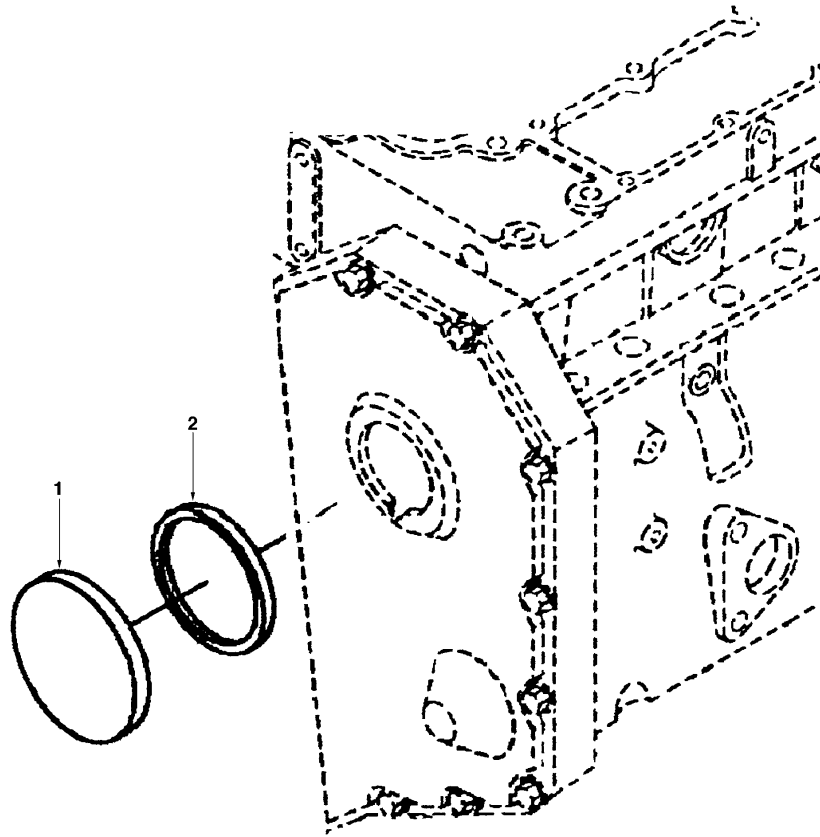
Section option	Kit	Option description
SADD18B001		Leak-off line for slope-rotator on basic machine

Q1-Q5	Option	Option description	
Q1 DD18B001	SADD18B001	Leak-off line for slope-rotator on basic machine	

Pos	Part	Q1	Q2	Q3	Q4	Q5	PS	Kit	Description	Option(s)	Remark
	SA3923319	1					SS		Drive Unit		SER NO 3001-5008
	SA3939961	1							Drive Unit		SER NO 5009-
1	SA3923237	1							•Adapter		SER NO 3001-5008
	SA3939957	1							•Adapter		SER NO 5009-
2	SA3902601	1							•Roller Bearing		SER NO 3001-5008
	SA3935644	1							•Roller Bearing		SER NO 5009-
3	SA3923242	1							•Shaft		SER NO 3001-5008
	SA3935645	1							•Shaft		SER NO 5009-
4	SA3928860	1					SS		•Gear		SER NO 3001-5008

	SA3936136	1							•Gear		SER NO 5009-
5	SA3939694	1							•Elbow		SER NO 5009-
6	SA1112-00550	1							Plate		
7	SA9011-11205	1							Bolt		
8	SA9011-21213	2							Bolt		
9	SA3931825	1							Brace		
10	SA9211-12000	3							Washer		
11	SA3924867	1							Hose		SER NO 5009-
12	SA3008400	2							Gasket		

Date: <b>2013/10/26</b>	Image id: <b>SA116</b>	Catalogue: <b>56117</b>	Model: <b>EC210</b>
Brand: <b>Volvo</b>	Serial: <b>3001-9999</b>	Group/Section: <b>215/500</b>	Title: <b>Tachometer drive cover</b>



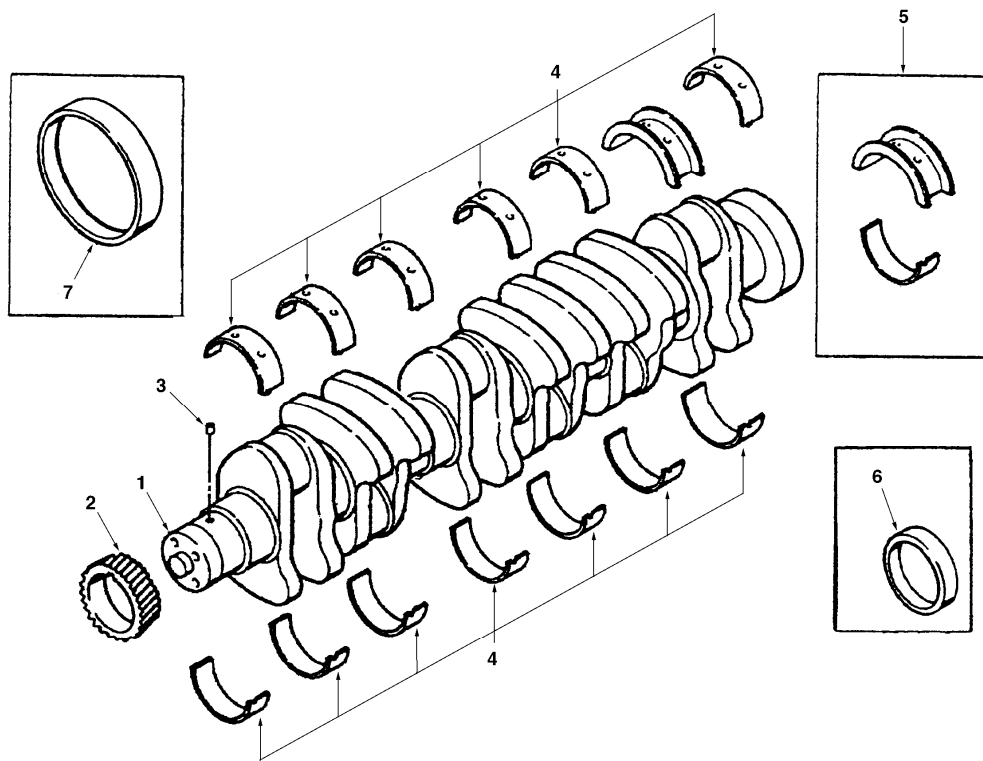
Volvo Construction  
Equipment Group  
SA116

Section option	Kit	Option description
SADD04B001		Without air pre-heater for engine
SADD04B002		Air heater for engine Common

Q1-Q5	Option	Option description	
Q1 DD04B001	SADD04B001	Without air pre-heater for engine	
Q2 DD04B002	SADD04B002	Air heater for engine Common	

Pos	Part	Q1	Q2	Q3	Q4	Q5	PS	Kit	Description	Option(s)	Remark
1	SA3903463	1	1						Cover		
2	SA3903475	1	1				SS		Seal		

Date: <b>2013/10/26</b>	Image id: <b>SJ117A</b>	Catalogue: <b>56117</b>	Model: <b>EC210</b>
Brand: <b>Volvo</b>	Serial: <b>3001-9999</b>	Group/Section: <b>216/100</b>	Title: <b>Crankshaft</b>



Volvo Construction  
Equipment  
SJ117A

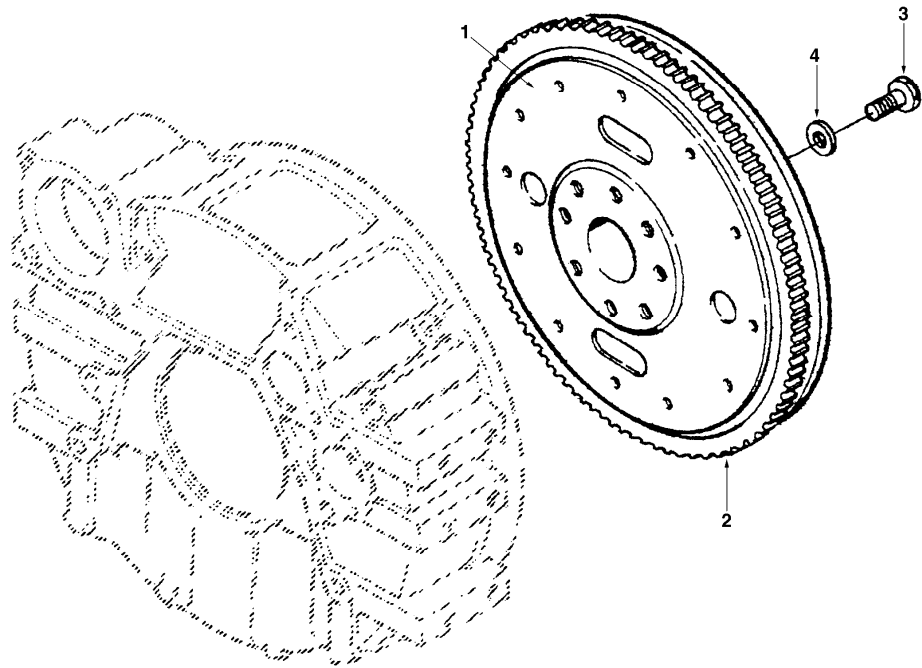
Section option	Kit	Option description
SADD04B001		Without air pre-heater for engine
SADD04B002		Air heater for engine Common

Q1-Q5	Option	Option description	
Q1 DD04B001	SADD04B001	Without air pre-heater for engine	
Q2 DD04B002	SADD04B002	Air heater for engine Common	

Pos	Part	Q1	Q2	Q3	Q4	Q5	PS	Kit	Description	Option(s)	Remark
1	SA3905730	1	1						Crankshaft		
	SA3905619	1	1				SS		•Crankshaft		
2	SA3929026	1	1				SS		•Gear		
3	SA3904483	1	1						•Locating pin		
4	SA3802070	1	1						Bearing		STD
	SA3802071	1	1						Bearing		0.25MM O SZ
	SA3802072	1	1						Bearing		0.50MM O SZ

	SA3802073	1	1					Bearing		0.75MM O SZ
	SA3802074	1	1					Bearing		0.75MM O SZ THRUST
5	SA3802082	1	1				SS	Bearing		0.5MM O SZ THRUST
	SA3802084	1	1				SS	Bearing		(SA3802084)1.0MM O SZ THRUST
6	SA3906080	1	1				SS	Sleeve		FRONT
7	SA3906081	1	1				SS	Sleeve		REAR

Date: <b>2013/10/26</b>	Image id: <b>SA118</b>	Catalogue: <b>56117</b>	Model: <b>EC210</b>
Brand: <b>Volvo</b>	Serial: <b>3001-9999</b>	Group/Section: <b>216/200</b>	Title: <b>Flywheel</b>

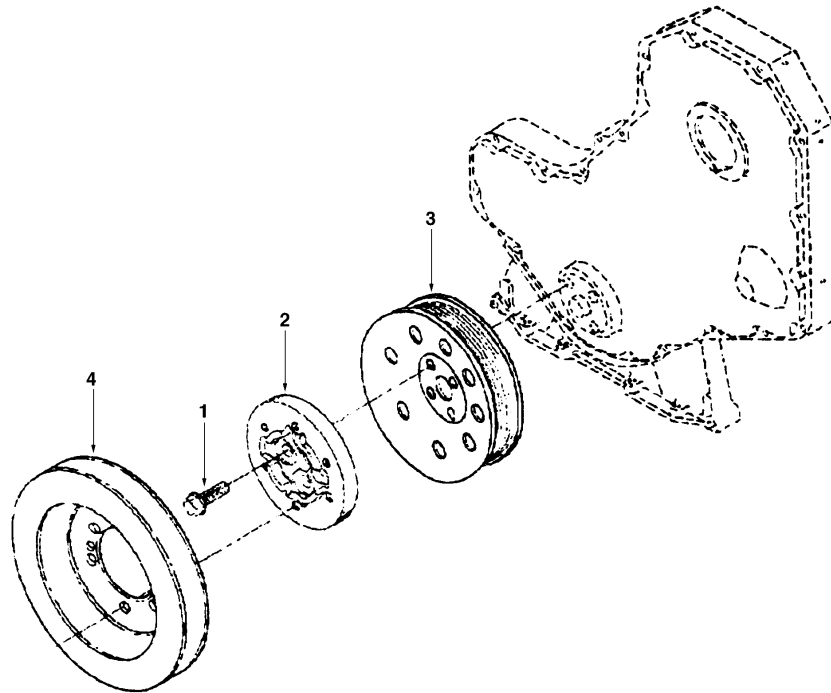


Volvo Construction  
Equipment Group  
SA118

Q1-Q5	Option	Option description	
Q1 DD04B001	SADD04B001	Without air pre-heater for engine	
Q2 DD04B002	SADD04B002	Air heater for engine Common	

Pos	Part	Q1	Q2	Q3	Q4	Q5	PS	Kit	Description	Option(s)	Remark
1	SA3973363	1	1						Flywheel		
	SA3973362	1	1				OP		•Flywheel		
2	SA3905427	1	1						•Gear		
3	SA3901395	8	8						Screw		
4	SA3900269	8	8						Washer		

Date: <b>2013/10/26</b>	Image id: <b>SA119</b>	Catalogue: <b>56117</b>	Model: <b>EC210</b>
Brand: <b>Volvo</b>	Serial: <b>3001-9999</b>	Group/Section: <b>216/300</b>	Title: <b>Vibration damper</b>



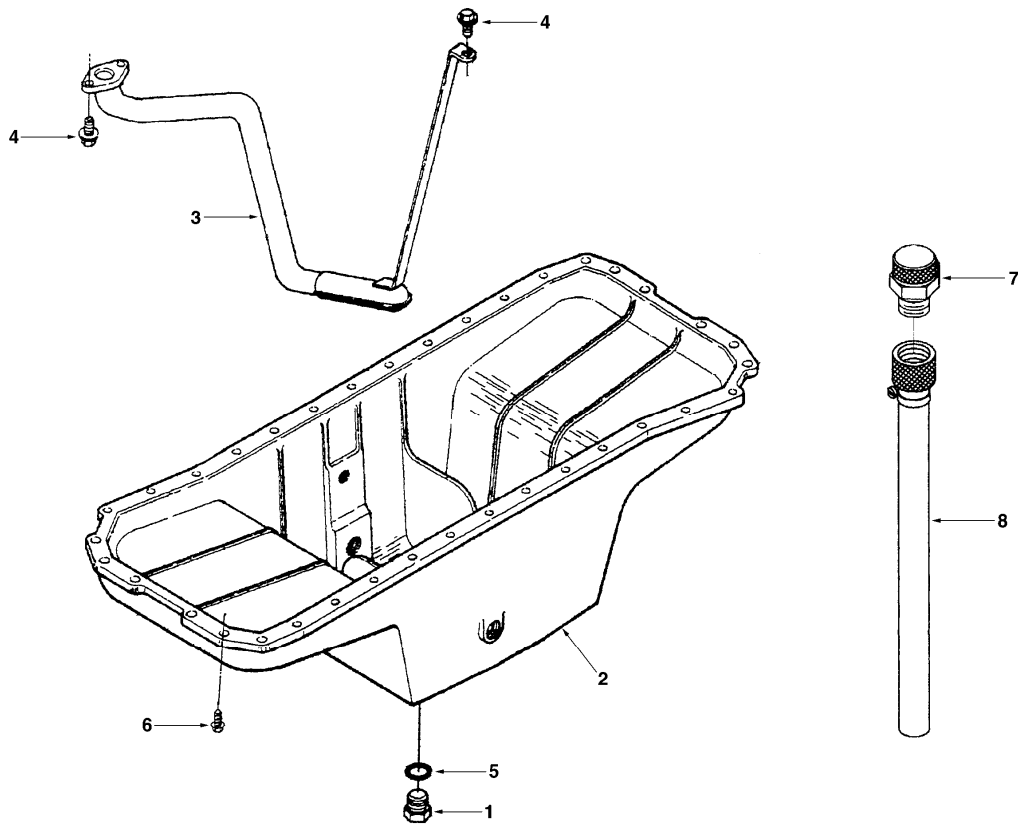
Volvo Construction  
Equipment Group  
SA119

Section option	Kit	Option description
SADD04B001		Without air pre-heater for engine
SADD04B002		Air heater for engine Common

Q1-Q5	Option	Option description	
Q1 DD04B001	SADD04B001	Without air pre-heater for engine	
Q2 DD04B002	SADD04B002	Air heater for engine Common	

Pos	Part	Q1	Q2	Q3	Q4	Q5	PS	Kit	Description	Option(s)	Remark
1	SA3924584	4	4						Screw		
2	SA3924579	1	1						Adapter		
3	SA3914494	1	1						Pulley		
4	SA3925233	1	1						Damper		

Date: <b>2013/10/26</b>	Image id: <b>SA120</b>	Catalogue: <b>56117</b>	Model: <b>EC210</b>
Brand: <b>Volvo</b>	Serial: <b>3001-9999</b>	Group/Section: <b>217/100</b>	Title: <b>Oil sump</b>



Section option	Kit	Option description
SADD04B001		Without air pre-heater for engine
SADD04B002		Air heater for engine Common

Q1-Q5	Option	Option description	
Q1 DD04B001	SADD04B001	Without air pre-heater for engine	
Q2 DD04B002	SADD04B002	Air heater for engine Common	

Pos	Part	Q1	Q2	Q3	Q4	Q5	PS	Kit	Description	Option(s)	Remark
1	SA3282266	1	1						Plug		
2	SA3863104	1	1						Oil Pan		
3	SA3863105	1	1						Connector		
4	SA3900630	3	3						Screw		
5	SA3902425	1	1						Washer		
6	SA3907860	36	36						Screw		
7	SA3283505	1	1						Valve		

8	SA3282945	1	1					Adapter		
---	-----------	---	---	--	--	--	--	---------	--	--



**Suggest:**

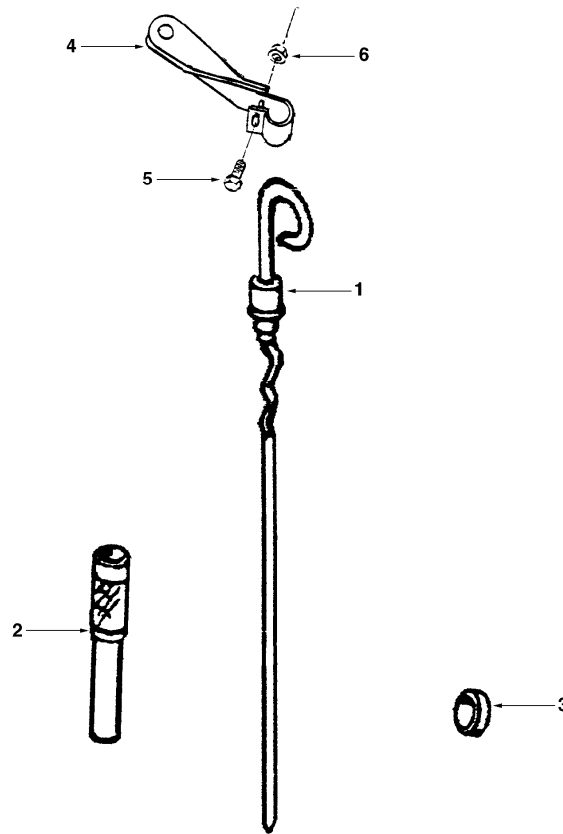
**For more complete manuals. Please go to the home page.**

**<https://www.ebooklibonline.com>**

**If the above button click is invalid. Please download this document first, and then click the above link to download the complete manual.**

**Thank you so much for reading**

Date: <b>2013/10/26</b>	Image id: <b>SA121</b>	Catalogue: <b>56117</b>	Model: <b>EC210</b>
Brand: <b>Volvo</b>	Serial: <b>3001-9999</b>	Group/Section: <b>217/200</b>	Title: <b>Oil dipstick</b>



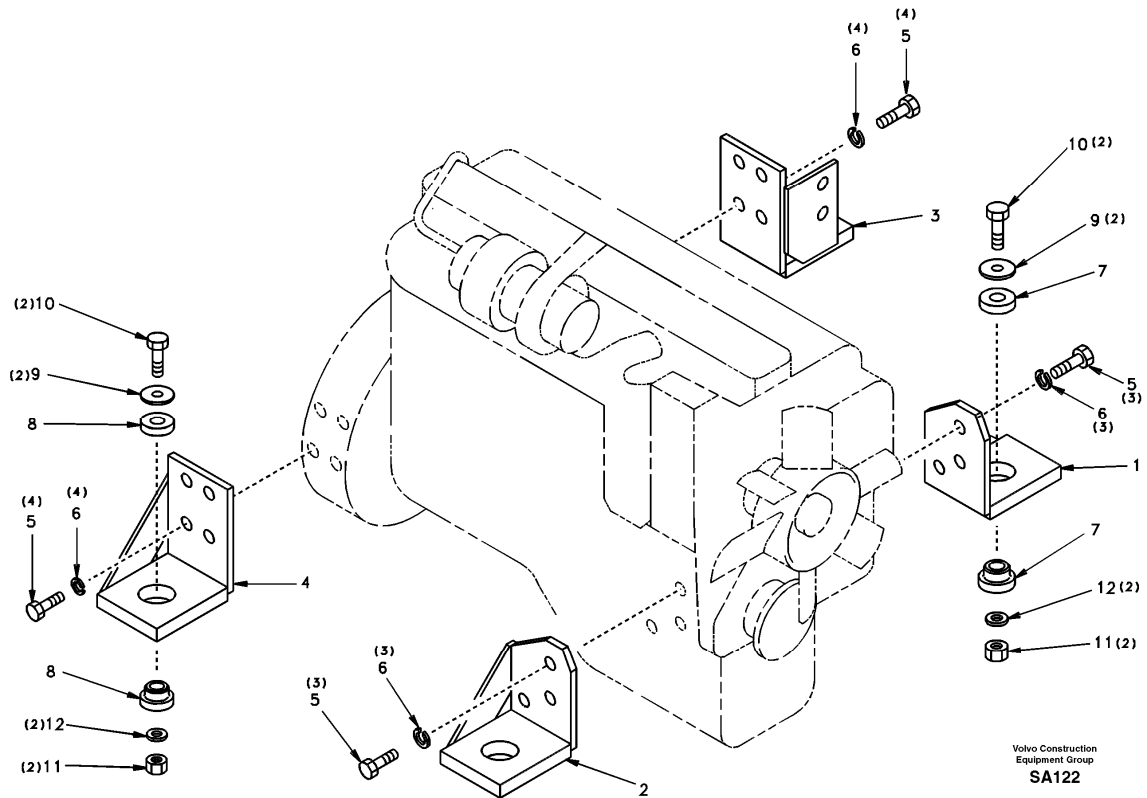
Volvo Construction  
Equipment Group  
SA121

Section option	Kit	Option description
SADD04B001		Without air pre-heater for engine
SADD04B002		Air heater for engine Common

Q1-Q5	Option	Option description	
Q1 DD04B001	SADD04B001	Without air pre-heater for engine	
Q2 DD04B002	SADD04B002	Air heater for engine Common	

Pos	Part	Q1	Q2	Q3	Q4	Q5	PS	Kit	Description	Option(s)	Remark
1	SA3283825	1	1						Dipstick		
2	SA3283537	1	1						Pipe		
3	SA3900955	1	1						Plug		
4	SA3915152	1	1						Brace		
5	SA3900629	1	1						Screw		
6	SA3900240	1	1						Nut		

Date: <b>2013/10/26</b>	Image id: <b>SA122</b>	Catalogue: <b>56117</b>	Model: <b>EC210</b>
Brand: <b>Volvo</b>	Serial: <b>3001-9999</b>	Group/Section: <b>218/100</b>	Title: <b>Engine mount</b>



Pos	Part	Q1	Q2	Q3	Q4	Q5	PS	Kit	Description	Option(s)	Remark
1	SA1112-00010	1							Bracket		
2	SA1112-00020	1							Bracket		
3	SA1112-00030	1							Bracket		
4	SA1112-00040	1							Bracket		
5	SA9011-11207	14							Bolt		
6	SA9213-12000	14							Spring Washer		
7	SA1112-00050	2							Cushion		FRONT
8	SA1112-00060	2							Cushion		REAR
9	SA2012-00110	4					SS		Plate		
10	SA9011-22221	4							Hexagon screw		
11	SA9111-12200	4							Hexagon nut		
12	SA9211-22000	4							Washer		

**<https://www.ebooklibonline.com>**

Hello dear friend!

Thank you very much for reading.

Enter the link into your browser.

The full manual is available for immediate download.

**<https://www.ebooklibonline.com>**