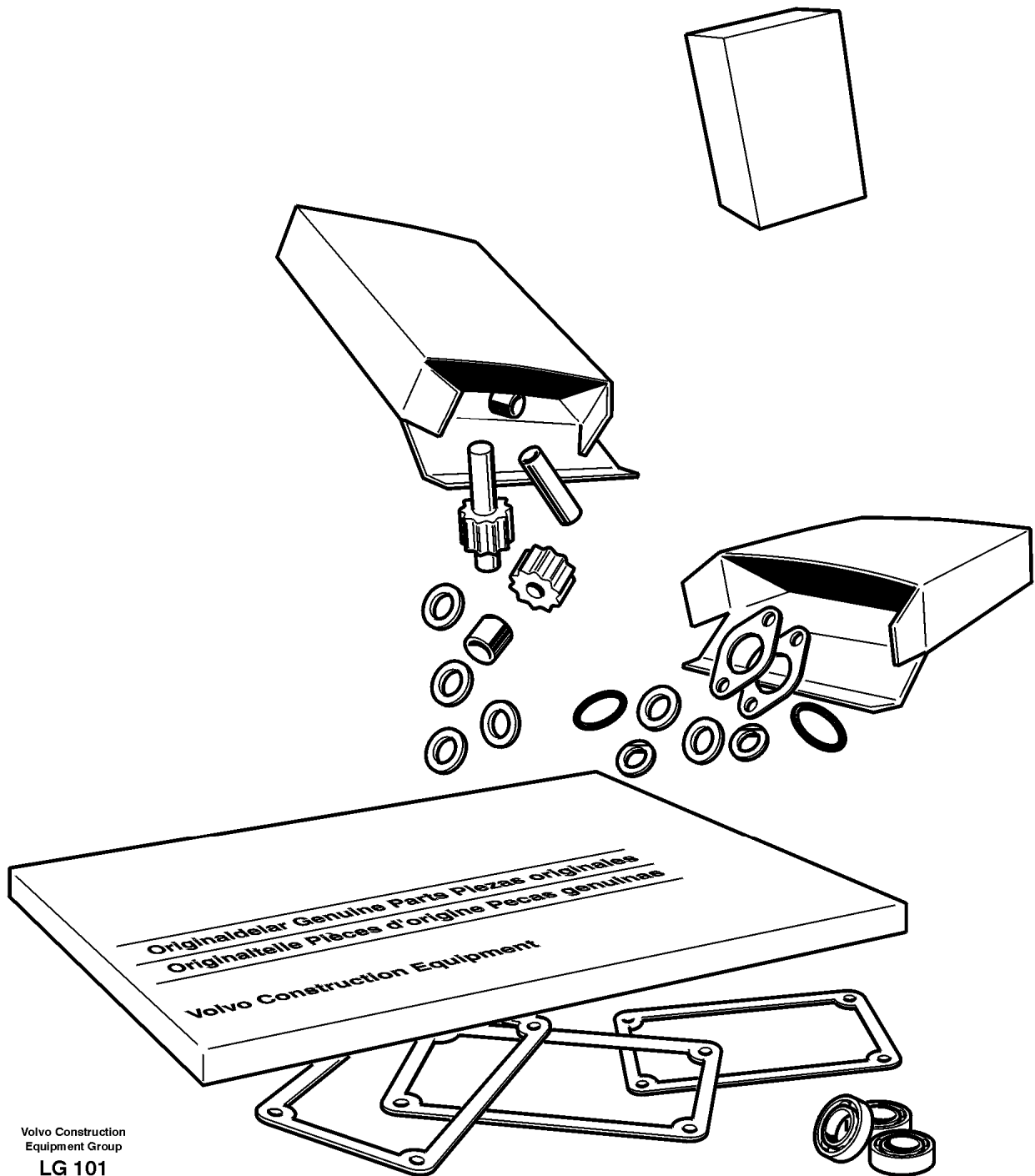


Date: <b>2013/10/14</b>	Image id: <b>LG101</b>	Catalogue: <b>99533</b>	Model: <b>EC200</b>
Brand: <b>Volvo</b>	Serial: <b>2760-9999</b>	Group/Section: <b>210/100</b>	Title: <b>Repair kits for engine</b>



Volvo Construction  
Equipment Group  
LG 101

Pos	Part	Q1	Q2	Q3	Q4	Q5	PS	Kit	Description	Option(s)	Remark
-----	------	----	----	----	----	----	----	-----	-------------	-----------	--------

VOE276821	2							Gasket Kit		FOR CYLINDER HEAD / FÖR CYLINDERLOCK
VOE276929	6							Cylinder liner kit		See ref 213/100
VOE271161	6							•Seg Ring Kit		
VOE276310	6							•Piston Ring Kit		
VOE270139	6							Piston Bearing		STD See ref 216/100
VOE270140	6							Big End Brg Kit		0,25 O SZ
VOE270141	6							Big End Brg Kit		0,50 O SZ
VOE270142	6							Big End Brg Kit		0,75 O SZ
VOE271230	7							Mn Bearing Kit		STD
VOE271231	7							Mn Bearing Kit		0,25 O SZ
VOE271232	7							Mn Bearing Kit		0,50 O SZ
VOE271233	7							Mn Bearing Kit		0,75 O SZ
VOE271234	7							Mn Bearing Kit		1,00 O SZ
VOE276751	1							Thr Washer Kit		STD
VOE276752	1							Thrust Washer		0,1 O SZ
VOE276753	1							Thrust Washer		0,2 O SZ
VOE276152	1							Repair Kit		FOR OIL PUMP / FÖR OLJEPUMP
VOE276804	1					SS		Cool Pump Kit		
VOE11990043	1							Repair Kit		
VOE845240	1							Repair Kit		Inspr.pump See ref 236/400
VOE11997139	1							Overhaul Kit		Step 1 / steg 1
VOE276821	2							•Gasket Kit		
VOE275776	1							•Gasket Kit		Supplementary for decar - bonizing the engine / tillägg för sotning
VOE1661993	1							•Thermostat		
VOE471682	3							•Gasket		(VOE424619)
VOE420538	6							•Gasket		
VOE420618	2							•Gasket		

	VOE11997140	1					OP		Overhaul Kit		Step 1 supplement / steg 1 tillägg
	VOE465158	6							•Valve seat		
	VOE465155	6							•Valve seat		
	VOE420553	6					SS		•Inlet valve		
	VOE8192143	6							•Exhaust Valve		(VOE465549)
	VOE477792	12							•Valve Guide		
	VOE270575	6					SS		•Repair Kit		
	VOE11997143	1					OP		Overhaul Kit		
	VOE270139	6							•Piston Bearing		
	VOE876199	6							•Cylinder liner kit		
	VOE465815	12							•Screw		
	VOE11030778	1							•Gasket		
	VOE11997145	1					OP		Overhaul Kit		Step 3 / steg 3
	VOE271230	7							•Mn Bearing Kit		
	VOE276751	1							•Thr Washer Kit		
	VOE11997140	1					OP		•Overhaul Kit		
	VOE11997136	1					OP		•Gasket Kit		
	VOE11997136	1					OP		Gasket Kit		Supplementary set for major overhaul of engine /
											Tilläggsats för hel- renovering
	VOE420641	1							•Gasket		
	VOE420643	1							•Gasket		
	VOE421121	2							•Gasket		
	VOE845515	2							•Gasket		
	VOE862619	2							•Gasket		
	VOE1275379	1							•Gasket		(VOE940096)
	VOE947620	14							•Gasket		
	VOE4804167	1							•Gasket		
	VOE11030013	1							•Gasket		
	VOE13947281	6							•Gasket		
	VOE13947282	2							•Gasket		
	VOE13969011	14							•Gasket		
	VOE13947627	3							•Plane Gasket		(VOE947627)
	VOE949329	1							•Gasket		
	VOE957171	1							•Plane Gasket		
	VOE13947624	3							•Plane Gasket		
	VOE13947625	1							•Plane Gasket		

**<https://www.ebooklibonline.com>**

Hello dear friend!

Thank you very much for reading.

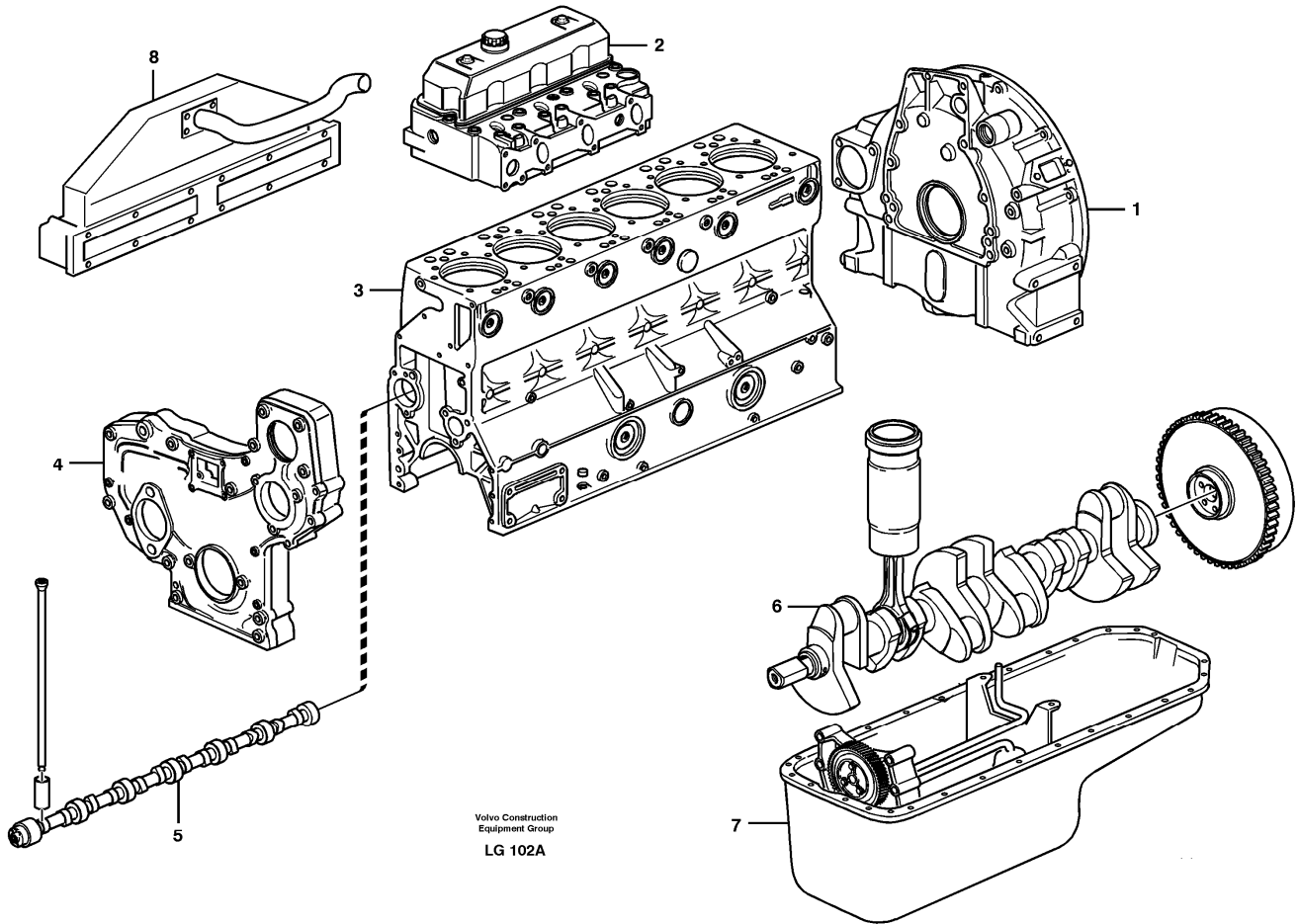
Enter the link into your browser.

The full manual is available for immediate download.

**<https://www.ebooklibonline.com>**

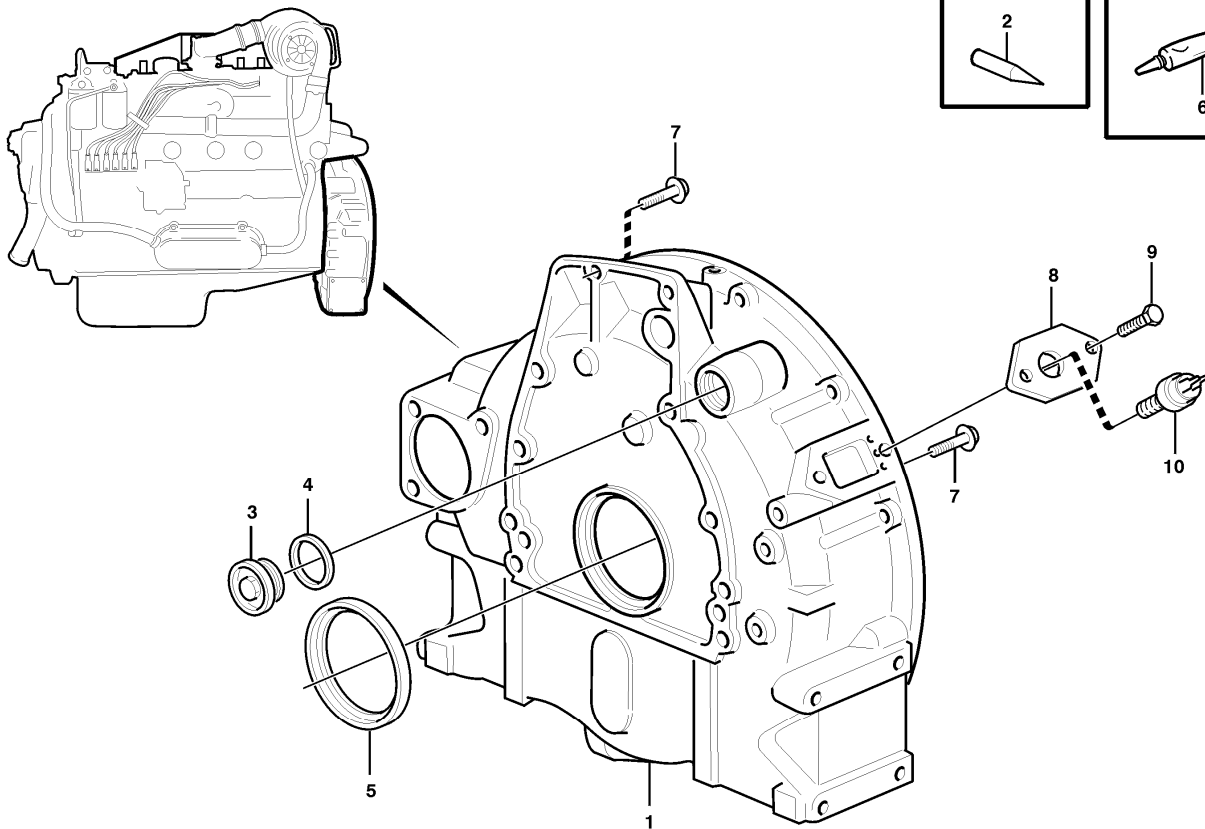
VOE421158	1								•Sealing ring		
VOE421629	1								•Sealing ring		
VOE925094	1								•O-ring		(VOE465058)
VOE469455	6								•Sealing ring		
VOE469483	2								•Sealing ring		
VOE470383	2								•Sealing ring		
VOE471321	1								•Sealing ring		
VOE471626	3								•Sealing ring		
VOE471637	2								•Sealing ring		
VOE471708	2								•Sealing ring		
VOE471856	5								•Sealing ring		
VOE471956	6								•Sealing ring		
VOE477118	1								•Sealing ring		
VOE11030751	2								•Sealing ring		
VOE477059	1								•O-ring		
VOE925057	2								•O-ring		
VOE925092	1								•O-ring		
VOE925094	1								•O-ring		
VOE925256	1								•O-ring		
VOE925257	1								•O-ring		
VOE13925095	1								•O-ring		
VOE13948981	1								•O-ring		
VOE13949656	2								•O-ring		
VOE13949722	1								•O-ring		
VOE13975610	1								•O-ring		
VOE477119	1								•Crankshaft Seal		

Date: <b>2013/10/14</b>	Image id: <b>LG102A</b>	Catalogue: <b>99533</b>	Model: <b>EC200</b>
Brand: <b>Volvo</b>	Serial: <b>2760-9999</b>	Group/Section: <b>210/200</b>	Title: <b>Engine</b>



Pos	Part	Q1	Q2	Q3	Q4	Q5	PS	Kit	Description	Option(s)	Remark
	VOE15004130	1							Engine		(VOE8188109)
1		1							Flywheel housing		See ref 210/300
2		1							Cylinder head		See ref 211/100
3		1							Cylinder block		See ref 212/100
4		1							Timing gear casing		See ref 215/100
5		1							Camshaft		See ref 215/200
6		1							Crank mechanism		See ref 216/100
7		1							Oil sump		See ref 217/100
8		1							Charge air cooler		See ref 251/260

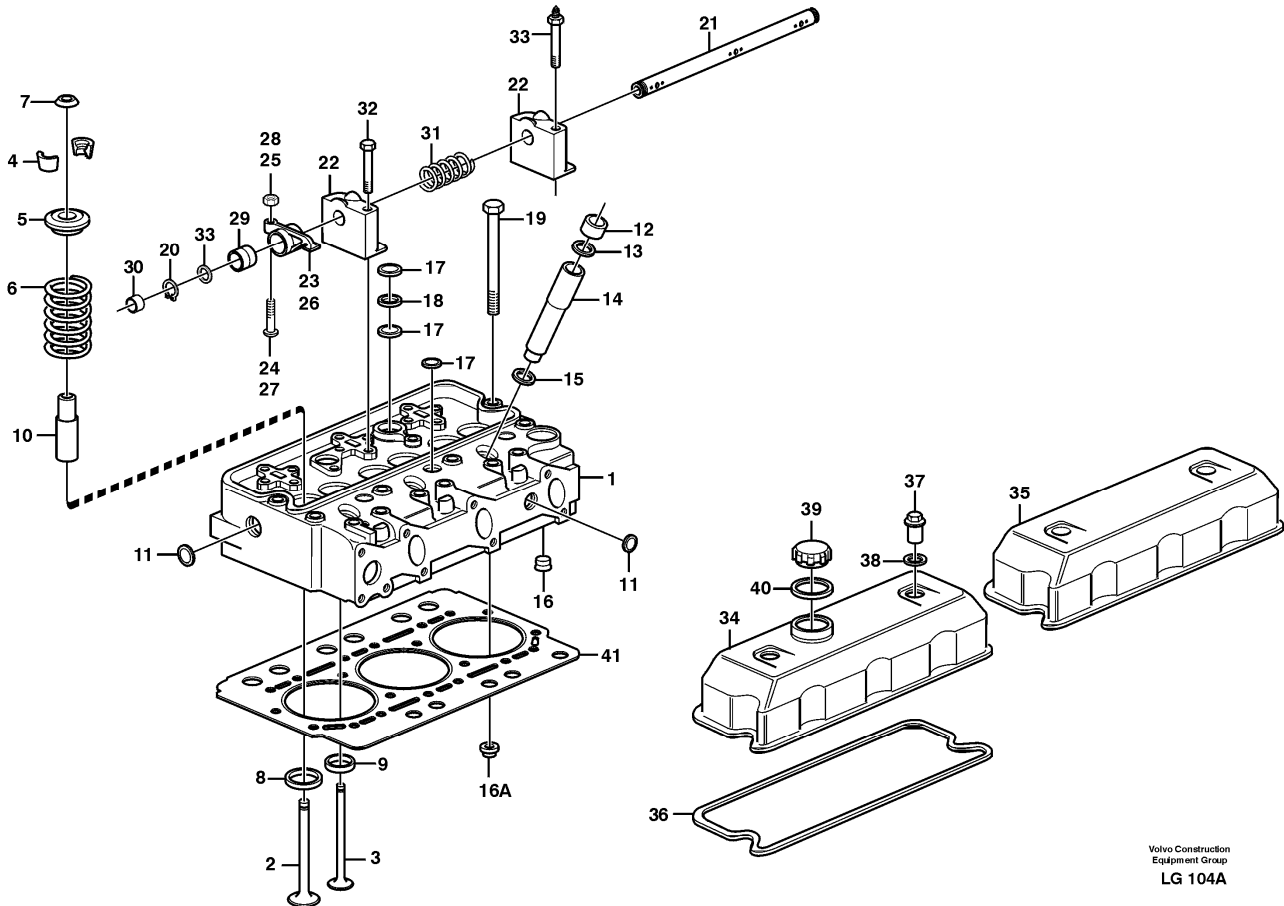
Date: <b>2013/10/14</b>	Image id: <b>LG103A</b>	Catalogue: <b>99533</b>	Model: <b>EC200</b>
Brand: <b>Volvo</b>	Serial: <b>2760-9999</b>	Group/Section: <b>210/300</b>	Title: <b>Flywheel housing</b>



Volvo Construction  
Equipment Group  
LG 103A

Pos	Part	Q1	Q2	Q3	Q4	Q5	PS	Kit	Description	Option(s)	Remark
1	VOE11701518	1					SS		Flywheel Hsg		
2	VOE864494	1							Setting Indicator		
3	VOE467367	1							Plug		(VOE467649)
4	VOE1556907	1							Gasket		(VOE469328)
5	VOE477119	1							Crankshaft Seal		
6	VOE1161277	REQ							Sealant		20 g
7	VOE13966361	6							Flange screw		L = 55
	VOE13966363	2							Flange screw		L = 65
	VOE968753	2							Flange screw		L = 75
8	VOE14254562	1							Attachment		
9	VOE13955272	2							Screw		
10	VOE14215228	1							Eng Sp Sensor		

Date: <b>2013/10/14</b>	Image id: <b>LG104A</b>	Catalogue: <b>99533</b>	Model: <b>EC200</b>
Brand: <b>Volvo</b>	Serial: <b>2760-9999</b>	Group/Section: <b>211/100</b>	Title: <b>Cylinder head</b>

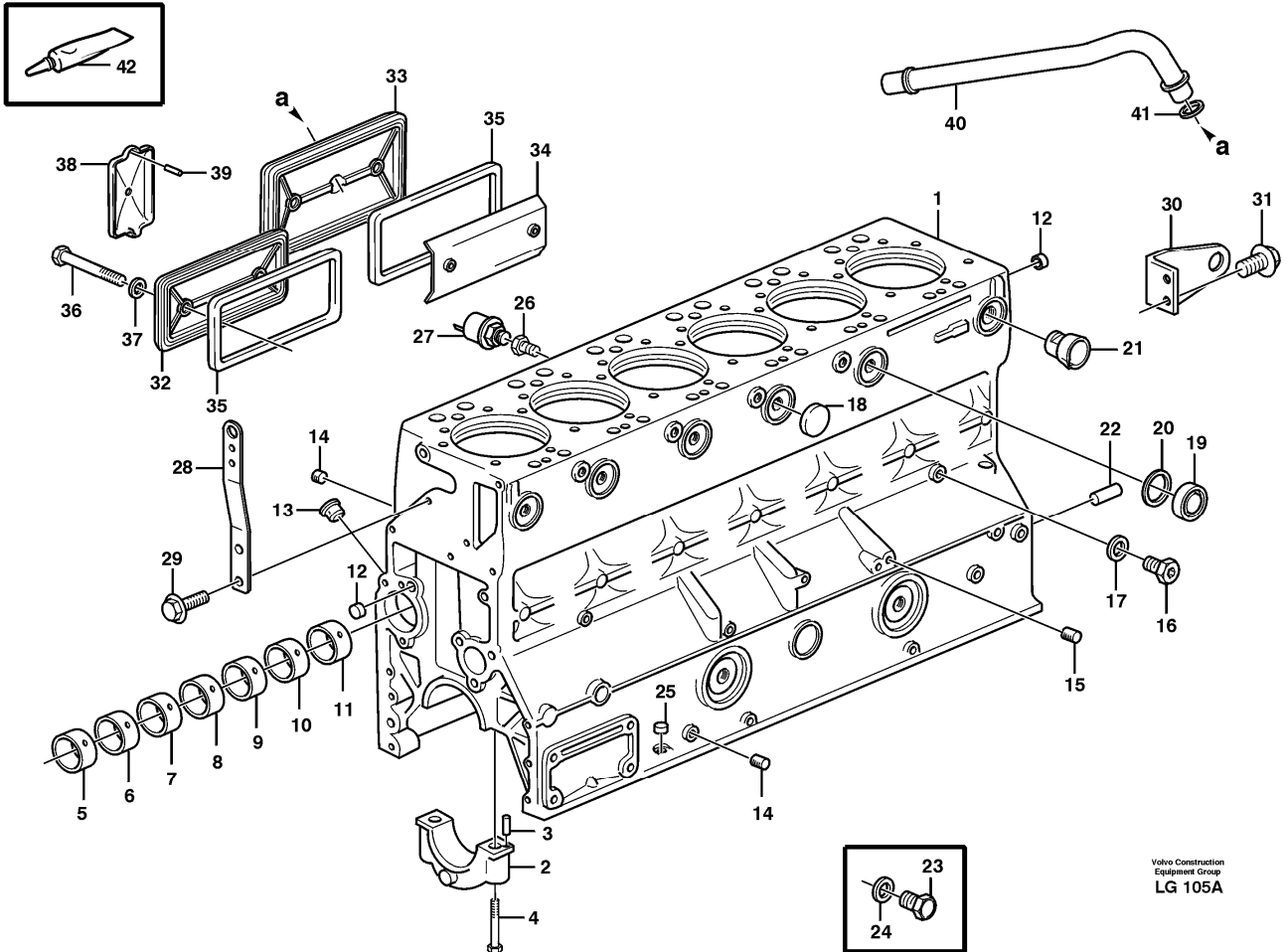


Volvo Construction  
Equipment Group  
LG 104A

Pos	Part	Q1	Q2	Q3	Q4	Q5	PS	Kit	Description	Option(s)	Remark
1	VOE420878	2							Cylinder head		
2	VOE420553	6					SS		•Inlet valve		
3	VOE8192143	6							•Exhaust valve		
4	VOE1677875	24							•Valve Collet		
5	VOE465550	12							•Washer		
6	VOE465233	12							•Valve spring		
7	VOE465551	12							•Protecting sleeve		
8	VOE420874	6							•Valve seat		
9	VOE420875	6							•Valve seat		
10	VOE477792	12							•Valve guide		
11	VOE477024	8							•Expansion plug		
12	VOE466420	6							•Ring		
13	VOE466405	6							•Sealing ring		
14	VOE8192085	6							•Sleeve		

15	VOE466922	6							•Sealing ring		
16	VOE465420	4							•Nozzle		
16A	VOE422413	2							•Sealing ring		ID = 10
	VOE466421	16							•Sealing ring		ID = 15
	VOE465784	12							•Sealing		ID = 25
17	VOE477026	14							•Expansion plug		
18	VOE947626	4							•Gasket		
19	VOE465840	40							•Screw		
20	VOE914456	4							••Retaining ring		
21	VOE465791	2					NS		••Pin		
22	VOE1665204	6							••Bearing Bracket		
23	VOE7420129	3							••Rocker arm		
24	VOE422993	3							•••Bolt		
25	VOE940175	3							•••Nut		
26	VOE420132	3							••Rocker arm		
27	VOE422993	3							•••Bolt		
28	VOE940175	3							•••Nut		
29	VOE420125	12							•••Bushing		
30	VOE13955083	4							••Cap plug		
31	VOE411139	4							••Spring		
32	VOE471513	8							••Screw		
33	VOE471512	4							••Screw		
34	VOE8192015	1							••Valve cover		
35	VOE8192016	1							••Valve cover		
36	VOE8192009	2							••Sealing strip		
37	VOE8148488	4							••Lock nut		
38	VOE8192526	4							••Bushing		
39	VOE421753	1							••Filler cap		
40	VOE1275379	1							••Gasket		(VOE940096)

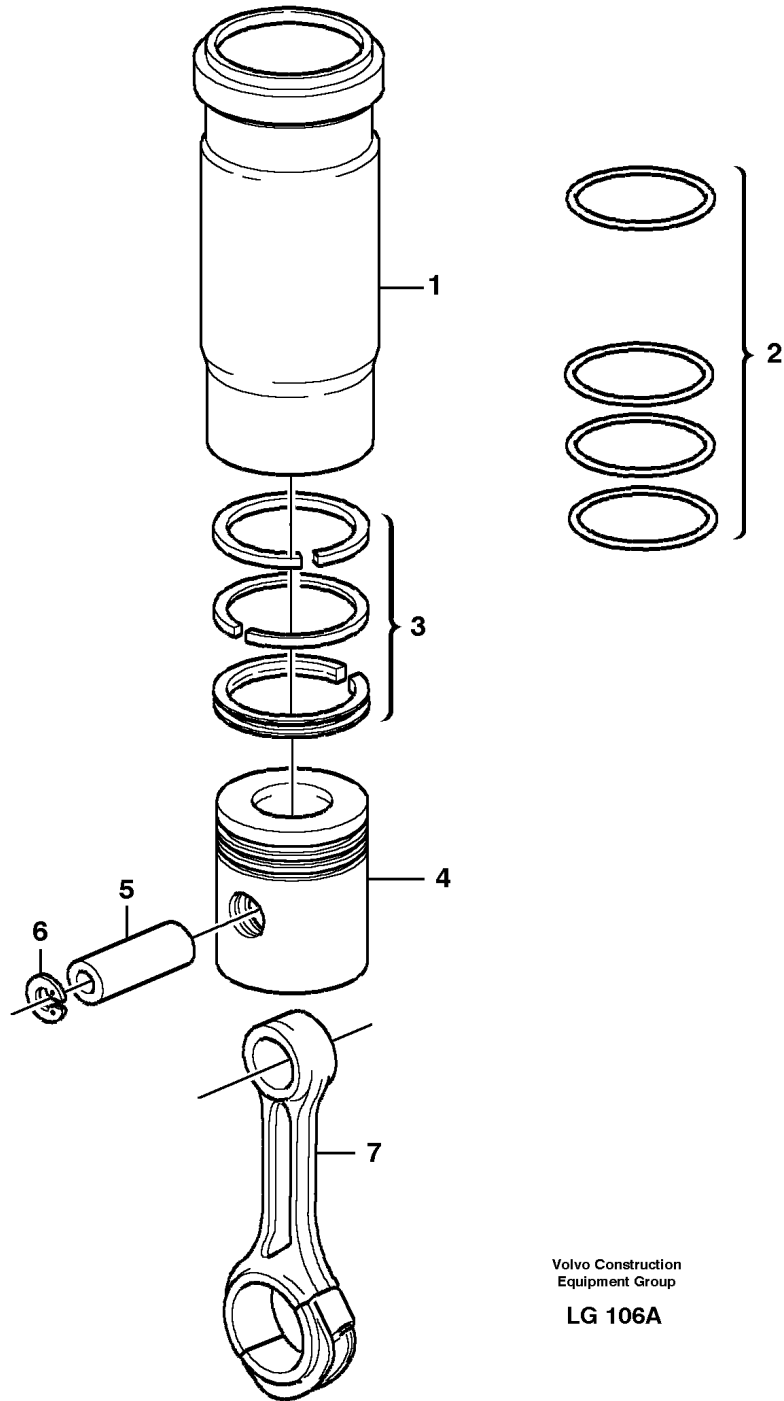
Date: <b>2013/10/14</b>	Image id: <b>LG105A</b>	Catalogue: <b>99533</b>	Model: <b>EC200</b>
Brand: <b>Volvo</b>	Serial: <b>2760-9999</b>	Group/Section: <b>212/100</b>	Title: <b>Cylinder block</b>



Pos	Part	Q1	Q2	Q3	Q4	Q5	PS	Kit	Description	Option(s)	Remark
	VOE420990	1							Cylinder block		
1	VOE420981	1					NS		•Cylinder block		
2		7					NS		•Cap		
3	VOE422426	1							•Pin		
4	VOE465899	14							•Screw		
5	VOE422076	1							•Bushing		
6	VOE422077	1							•Bushing		(VOE7422077)
7	VOE422078	1							•Bushing		
8	VOE11000014	1							•Bushing		(VOE422079)
9	VOE422080	1							•Bushing		(VOE7422080)
10	VOE422081	1							•Bushing		
11	VOE422082	1							•Bushing		

12	VOE955082	6							•Cap plug		
13	VOE422369	2							•Plug		
14	VOE479979	5							•Plug		1/8"NPTF
15	VOE952076	3					SS		•Plug		3/8"NPTF
16	VOE965768	1					SE		•Plug		
17	VOE13947281	1							•Gasket		
18	VOE968955	4					SE		•Expansion Plug		
19	VOE467367	2							•Plug		(VOE467649)
20	VOE1556907	2							•Gasket		(VOE469328)
21	VOE421154	6							•Nozzle		
22	VOE191171	2							•Pin		(VOE191171)
23	VOE960630	1							Plug		
24	VOE13969011	1							Gasket		
25	VOE955082	2							Cap plug		
26	VOE835980	1							Nipple		
27	VOE864415	1							Oil pressure sensor		
28	VOE848346	1					NS		Iron		Front / främre
29	VOE13965191	2							Screw		
30	VOE465994	2					NS		Lifting eye		Rear / bakre
31	VOE13965191	4							Screw		
32	VOE420120	1							Inspection lid		
33	VOE420121	1							Hatch		
34	VOE3978045	1							Splash plate		(VOE471858)
35	VOE421121	2							Gasket		
36	VOE471855	5							Screw		
37	VOE471856	5							Sealing ring		
38	VOE471854	1							Cover		
39	VOE951974	1							Spring pin		
40	VOE11032901	1							Breather pipe		
41	VOE421158	1							Sealing ring		
42	VOE1161277	REQ							Sealant		20 g

Date: <b>2013/10/14</b>	Image id: <b>LG106A</b>	Catalogue: <b>99533</b>	Model: <b>EC200</b>
Brand: <b>Volvo</b>	Serial: <b>2760-9999</b>	Group/Section: <b>213/100</b>	Title: <b>Cylinder liner and piston</b>

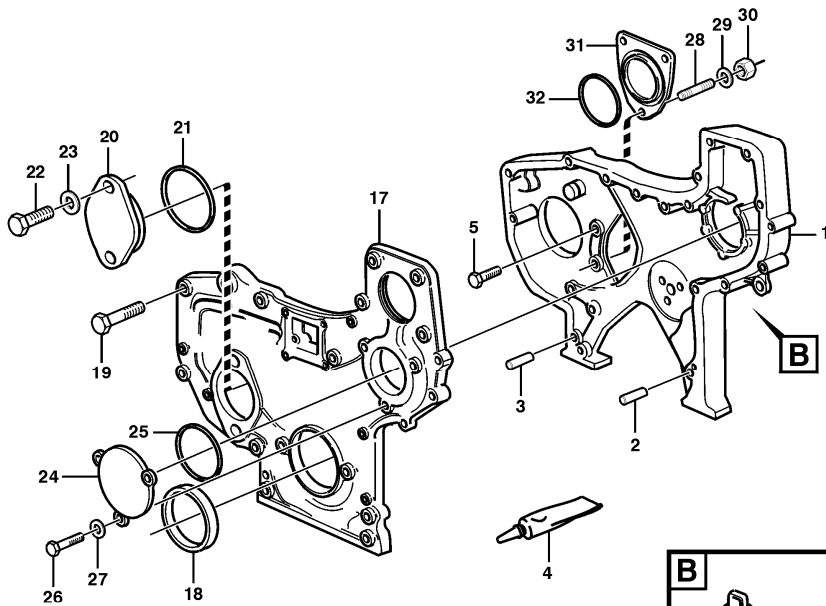


Volvo Construction  
Equipment Group  
**LG 106A**

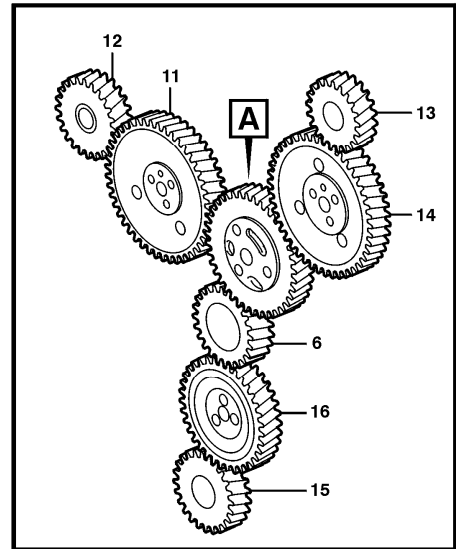
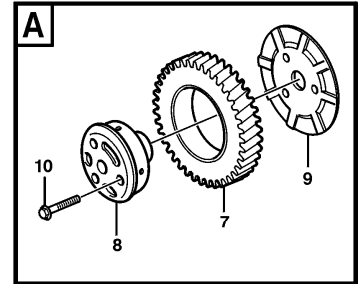
Pos	Part	Q1	Q2	Q3	Q4	Q5	PS	Kit	Description	Option(s)	Remark
	VOE276929	6							Cylinder liner kit		

1		6					NS		•Cylinder liner		
2	VOE271161	6							•Seg Ring Kit		
3	VOE270713	6							•Piston Ring Kit		
4		6					NS		•Piston		
5	VOE3978023	6							•Piston Pin		
6	VOE914523	12							•Snap Ring		
7		6							Connecting rod		See ref 216/100

Date: <b>2013/10/14</b>	Image id: <b>LG107B</b>	Catalogue: <b>99533</b>	Model: <b>EC200</b>
Brand: <b>Volvo</b>	Serial: <b>2760-9999</b>	Group/Section: <b>215/100</b>	Title: <b>Timing gear casing</b>



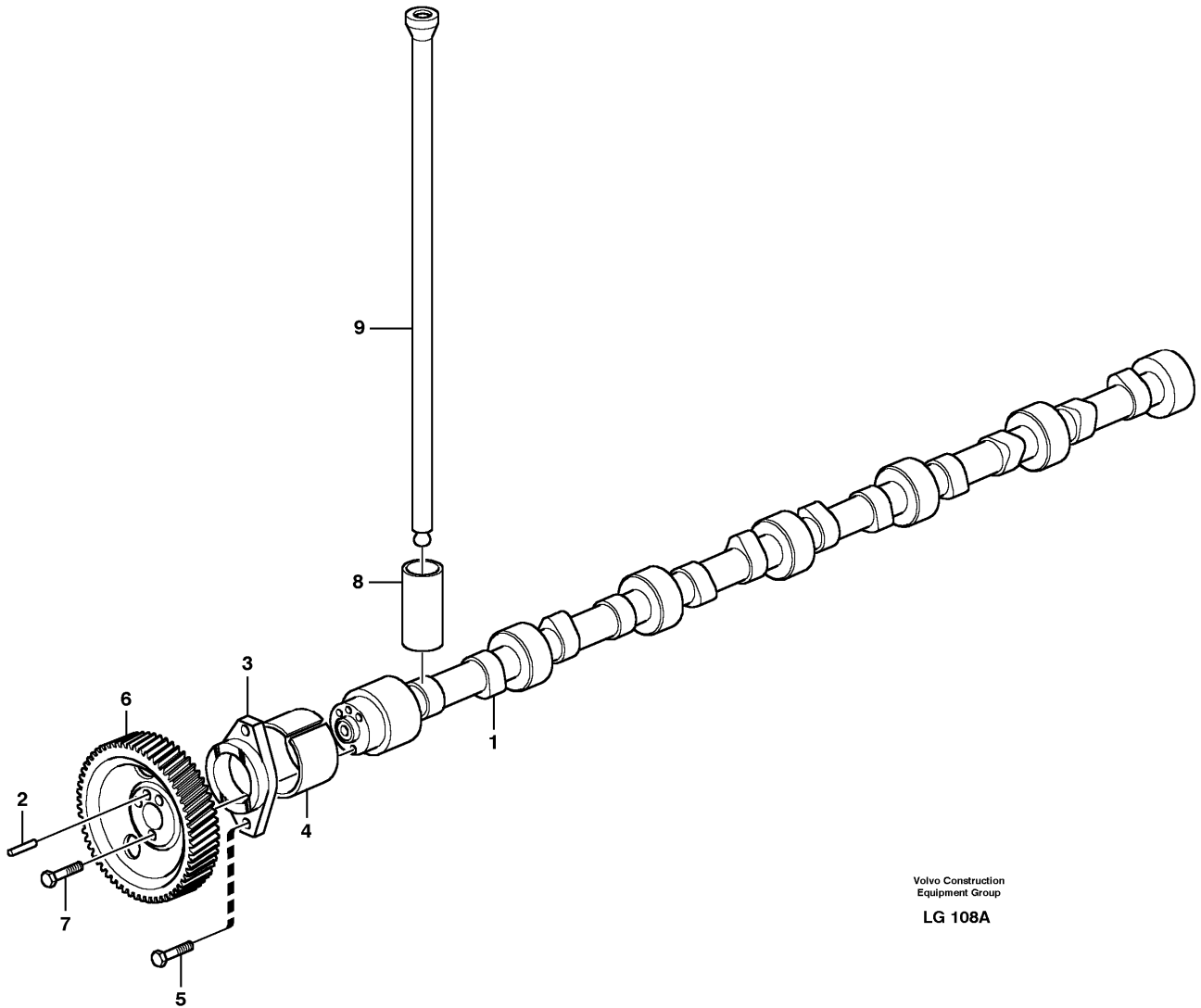
Volvo Construction  
Equipment Group  
LG 107B



Pos	Part	Q1	Q2	Q3	Q4	Q5	PS	Kit	Description	Option(s)	Remark
1	VOE8192775	1					SS		Tmg Gear Casing		
2	VOE13941511	1							Pin		(941511)
3	VOE13941510	1							Pin		(941510)
4	VOE1161277	REQ							Sealant		20 g
5	VOE471534	2							Screw		L = 28
	VOE471535	2							Screw		L = 58
6		1							Gear		Crankshaft / vevaxel See ref 216/100
7	VOE8192518	1							Idler Gear		
	VOE420083	1					NS		•Bushing		(VOE471552)
8	VOE11704619								Axle		
9	VOE478951	1							Thrust Washer		(VOE467529)
10	VOE471554	3							Screw		
11		1							Gear		Camshaft / kamaxel See ref 215/200

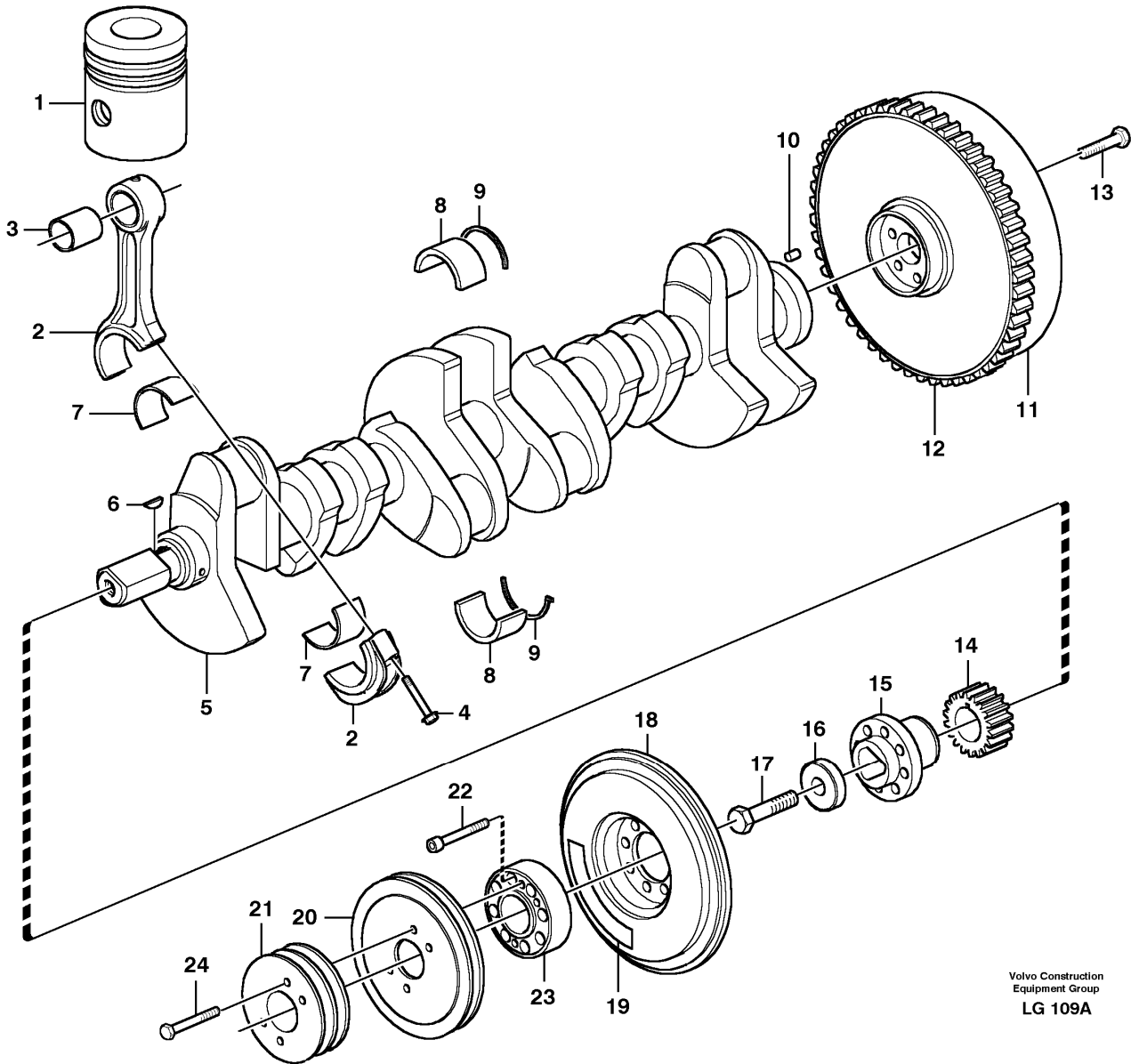
12		1							Gear		Servopump/Servo.p See ref 914/50
13		1							Gear		Waterpump/ Vattenpump See ref 262/100
14		1							Gear		Inject.pump/ Insprpump See ref 236/300
15		1							Gear		Oil pump / oljepump See ref 221/100
16		1							Gear		Oil pump/Oljepump See ref 221/100
17	VOE8192590	1							Tmg Gear Cover		
18	VOE477118	1							•Sealing ring		
19	VOE13947760	7							•Flange screw		L = 40: (947760)
	VOE13948217	2							•Flange screw		L = 45: (948217)
	VOE13965216	1							•Screw		L = 55: (965216)
	VOE13965182	6							•Flange screw		L = 80: (965182)
	VOE13965183	2							•Flange screw		L = 90: (965183)
	VOE965225	1							•Flange screw		M12, L = 35
20	VOE465735	1							Cap		
21	VOE925094	1							O-ring		
22	VOE946472	2							Flange screw		L = 30
	VOE13965187	2							Flange screw		L = 60: (965187)
23	VOE955895	2							Washer		
24	VOE471559	1							Cap		
25	VOE925257	1							O-ring		
26	VOE13945444	3							Flange screw		(VOE945444)
27	VOE13941907	3							Spring Washer		(VOE941907)
28	VOE967951	3							Stud		
29	VOE955899	3							Washer		
30	VOE13971097	3							Flange nut		(VOE965484)
31	VOE420178	1							Cover		
32	VOE13975610	1							O-ring		(VOE413619)
33	VOE1502028	1							Eng Sp Sensor		
34	VOE13947624	1							Plane Gasket		
35	VOE863412	1							Sleeve		
36	VOE925059	1							O-ring		(14012270)

Date: <b>2013/10/14</b>	Image id: <b>LG108A</b>	Catalogue: <b>99533</b>	Model: <b>EC200</b>
Brand: <b>Volvo</b>	Serial: <b>2760-9999</b>	Group/Section: <b>215/200</b>	Title: <b>Camshaft</b>



Pos	Part	Q1	Q2	Q3	Q4	Q5	PS	Kit	Description	Option(s)	Remark
1	VOE465787	1							Camshaft		
2	VOE950588	1							•Pin		
3	VOE465789	1							Flange		
4		7							Bearing bushing		See ref 212/100
5	VOE471509	2							Screw		
6	VOE471528	1							Gear		
7	VOE471554	3							Screw		
8	VOE421067	12							Tappet		
9	VOE420021	12							Rod		

Date: <b>2013/10/14</b>	Image id: <b>LG109A</b>	Catalogue: <b>99533</b>	Model: <b>EC200</b>
Brand: <b>Volvo</b>	Serial: <b>2760-9999</b>	Group/Section: <b>216/100</b>	Title: <b>Crankshaft and related parts</b>

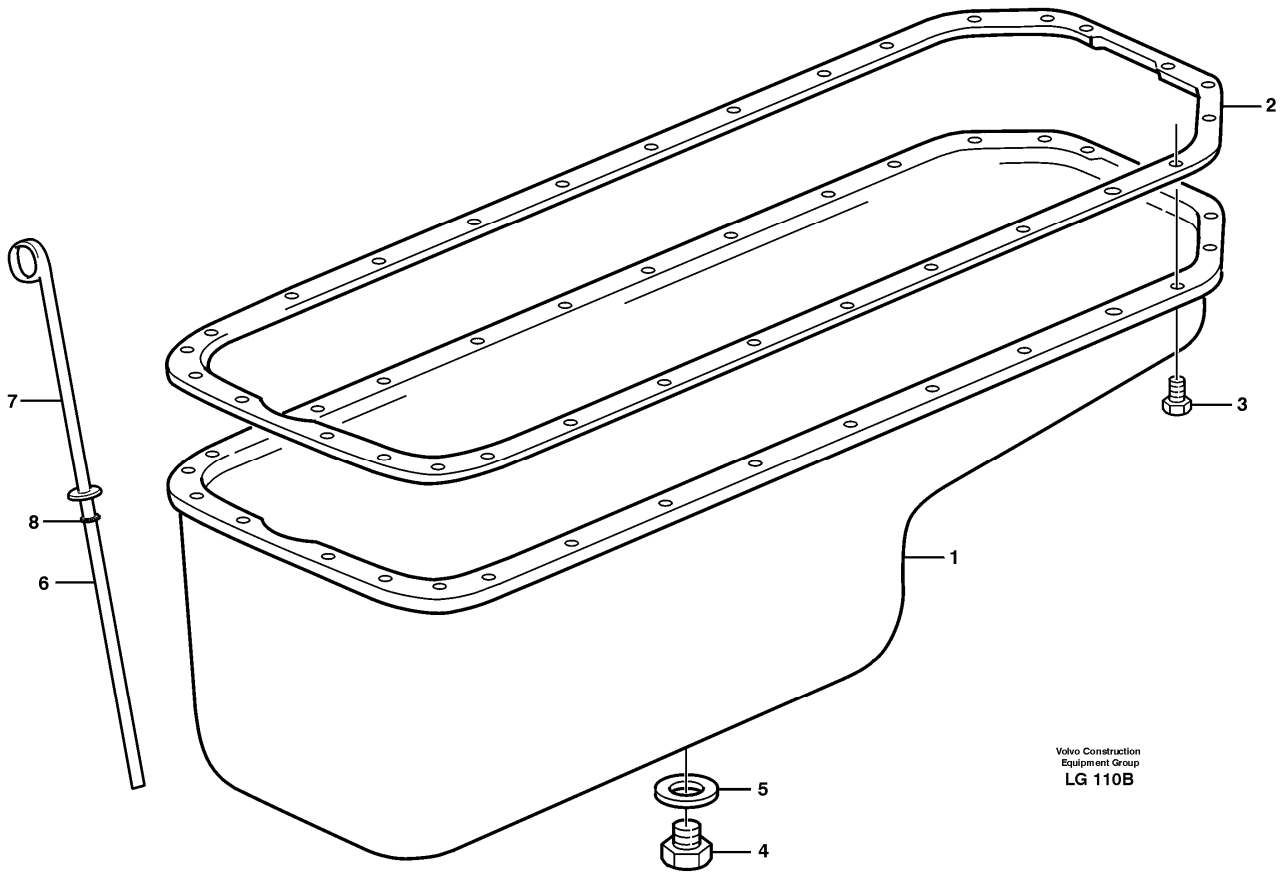


Volvo Construction  
Equipment Group  
LG 109A

Pos	Part	Q1	Q2	Q3	Q4	Q5	PS	Kit	Description	Option(s)	Remark
1		6							Cylinder liner kit		See ref 213/100
2	VOE8192120	6					SS		Connecting Rod		
3	VOE465816	6							•Bushing		
4	VOE465815	12							•Screw		
5	VOE420662	1					SS		Crankshaft		ENG - 106089, 6 hole
	VOE8192122	1					SS		Crankshaft		ENG 106090 -, 9 hole

6	VOE422253	1							•Key		
7		6							Big end brg kit		See ref 210/100
8		7							Mn bearing kit		
9		1							Thrust washer kit		See ref 210/100
10	VOE950677	1							Pin		
11	VOE864260	1						OP	Flywheel		ENG - 106089, 6 hole
	VOE3825732	1							Flywheel		ENG 106090 -, 9 hole
12	VOE420314	1							•Gear Ring		(VOE420067)
13	VOE465825	6-9							Screw		
14	VOE471528	1							Gear		
15	VOE4772218	1							Hub		
16	VOE420124	1							Washer		
17	VOE470366	1							Screw		
18	VOE421515	1							Vib Damper		
19	VOE467834	1							Sign		
20	VOE4772217	1							Strap		
21	VOE4772220	1							Strap		
22	VOE4772247	8							Screw		
23	VOE465779	1							Hub		
24	VOE13965187	4							Flange screw		

Date: <b>2013/10/14</b>	Image id: <b>LG110B</b>	Catalogue: <b>99533</b>	Model: <b>EC200</b>
Brand: <b>Volvo</b>	Serial: <b>2760-9999</b>	Group/Section: <b>217/100</b>	Title: <b>Oil sump</b>



Volvo Construction  
Equipment Group  
LG 110B

Pos	Part	Q1	Q2	Q3	Q4	Q5	PS	Kit	Description	Option(s)	Remark
1	VOE11162235	1							Oil Pan		(VOE465622)
2	VOE11030778	1							Gasket		(865341)
3	VOE946440	34							Flange screw		
4	VOE13949175	1							Magnetic Plug		(949175)
5	VOE949329	1							Gasket		
6	VOE862055	1							Pipe		
7	VOE11030836	1							Oil dipstick		
8	VOE955984	1							O-ring		



**Suggest:**

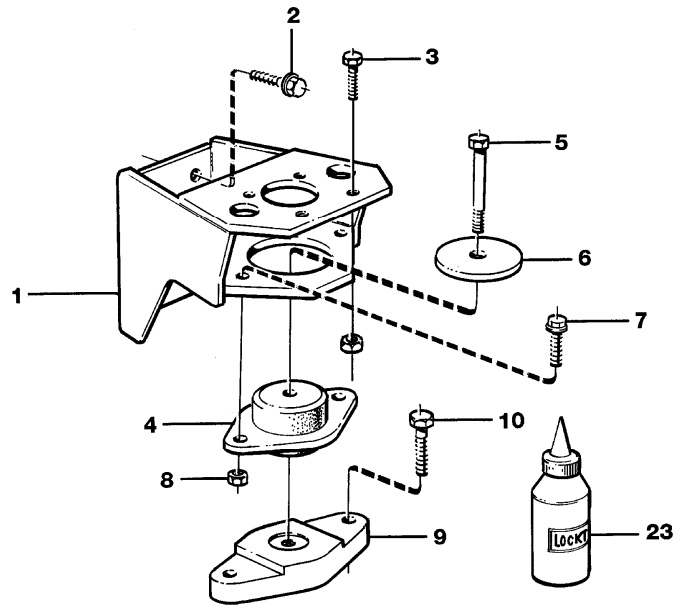
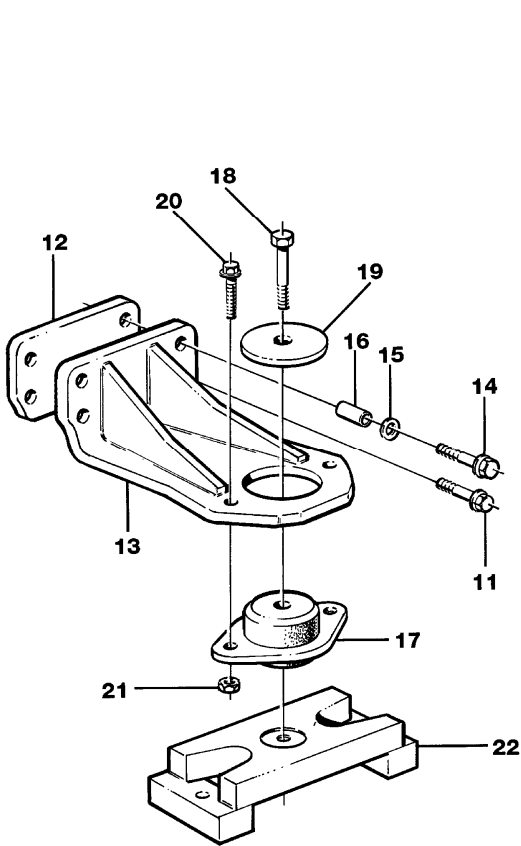
**For more complete manuals. Please go to the home page.**

**<https://www.ebooklibonline.com>**

**If the above button click is invalid. Please download this document first, and then click the above link to download the complete manual.**

**Thank you so much for reading**

Date: <b>2013/10/14</b>	Image id: <b>LG469</b>	Catalogue: <b>99533</b>	Model: <b>EC200</b>
Brand: <b>Volvo</b>	Serial: <b>2760-9999</b>	Group/Section: <b>218/200</b>	Title: <b>Engine mounting</b>



Volvo Construction  
Equipment Group  
LG 469

Pos	Part	Q1	Q2	Q3	Q4	Q5	PS	Kit	Description	Option(s)	Remark
1	VOE14341798	2							Engine anchorage		
2	VOE13965191	8							Screw		
3	VOE13946817	4							Screw		RH - REAR
4	VOE14343641	2							Rubber cushion		
5	VOE13955374	2							Screw		
6	VOE14342464	2							Washer		
7	VOE13965192	4							Screw		
8	VOE13971090	8							Lock nut		
9	VOE14341801	2							Adapter		
10	VOE13955366	4							Screw		
11	VOE13965194	7							Screw		
12	VOE14341881	2							Spacer		
13	VOE14343182	2							Engine anchorage		
14	VOE965197	1							Flange screw		(VOE13965197)
15	VOE14015146	1							Washer		

16	VOE14252182	1							Spacer		
17	VOE14343640	2							Rubber cushion		
18	VOE13955374	2							Screw		
19	VOE14342464	2							Washer		
20	VOE13965192	4							Screw		
21	VOE13971090	4							Lock nut		
22	VOE14342044	2							Adapter		
23	VOE14024293	ERF					OP		Locking fluid		

**<https://www.ebooklibonline.com>**

Hello dear friend!

Thank you very much for reading.

Enter the link into your browser.

The full manual is available for immediate download.

**<https://www.ebooklibonline.com>**