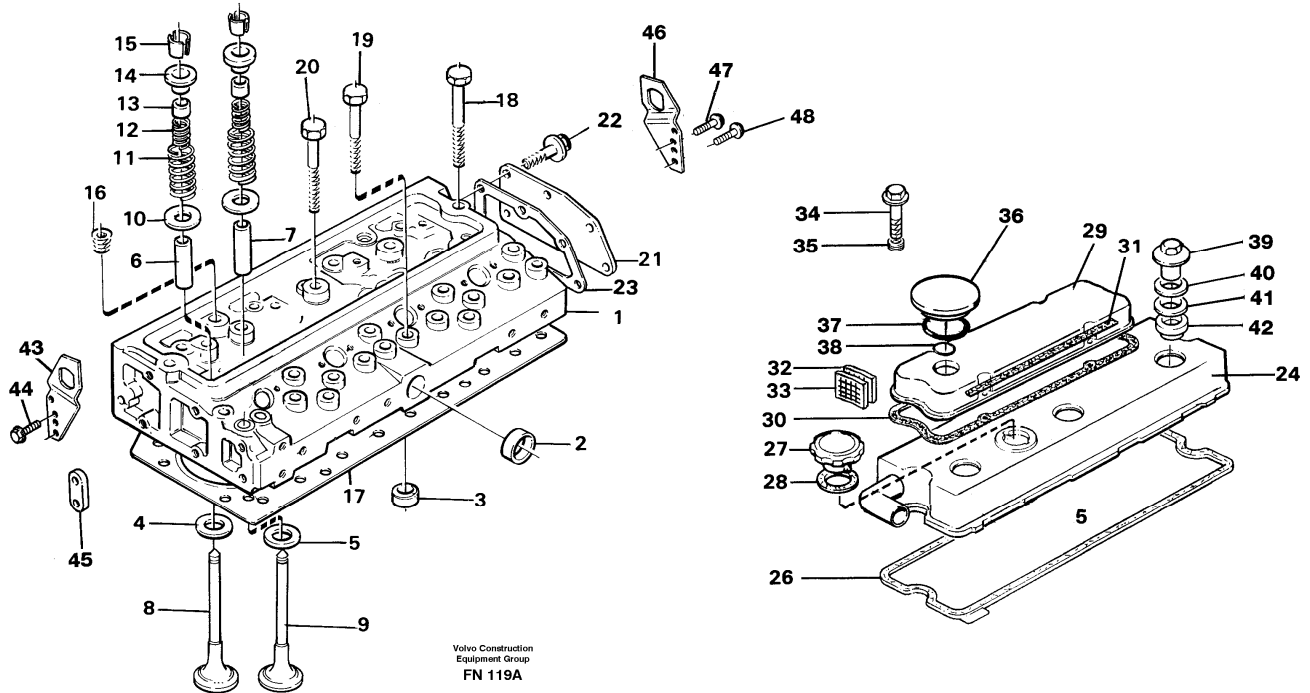


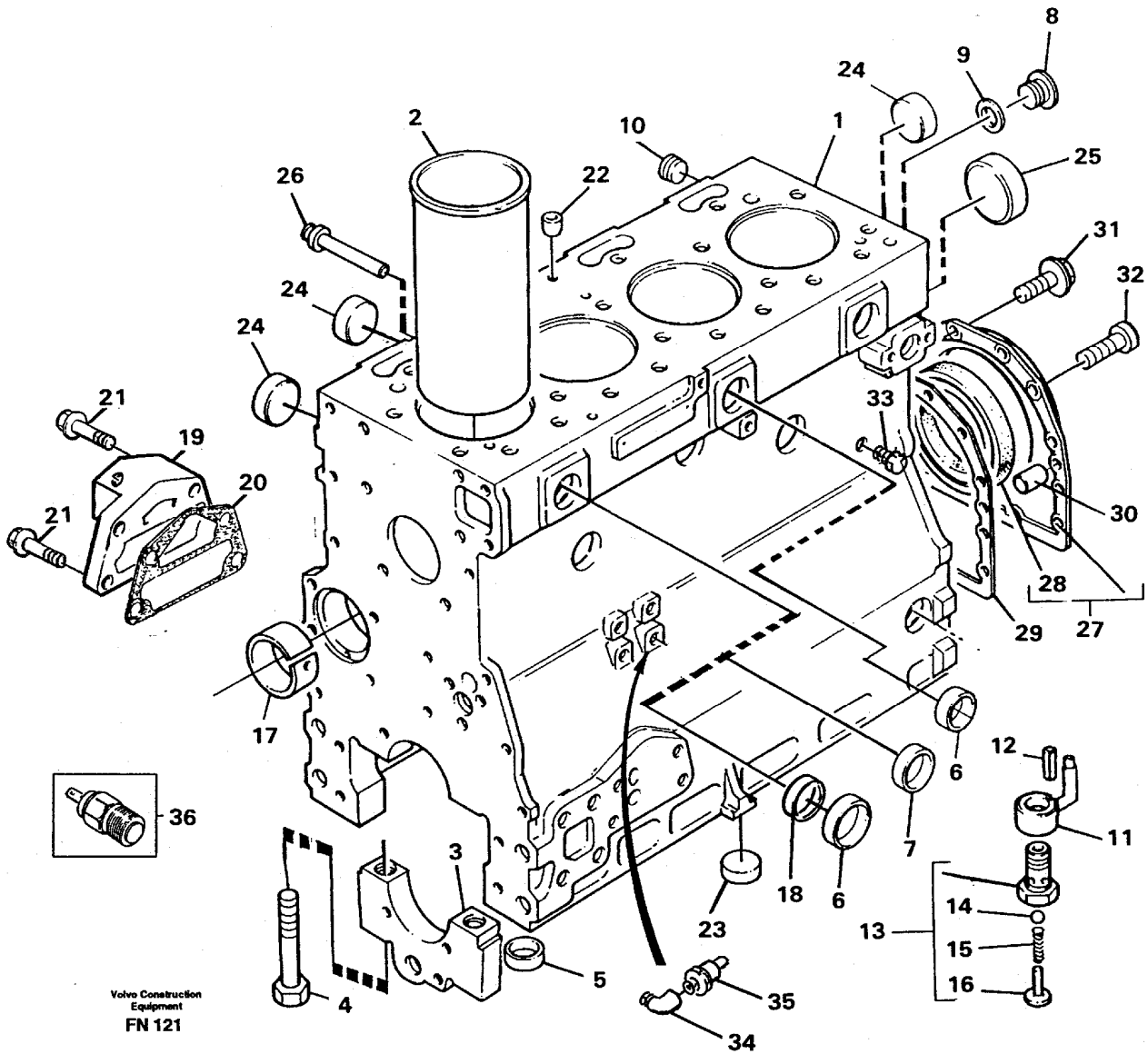
Date: <b>2013/10/9</b>	Image id: <b>FN119A</b>	Catalogue: <b>99519</b>	Model: <b>EC150C</b>
Brand: <b>Åkerman</b>	Serial: <b>201-253</b>	Group/Section: <b>211/100</b>	Title: <b>Cylinder head</b>



Pos	Part	Q1	Q2	Q3	Q4	Q5	PS	Kit	Description	Option(s)	Remark
	VOE11988380	1							Cylinder head		(VOE11701542)
1		1					NS		•Cylinder head		
2	VOE483898	1							•Plug		
3	VOE11997836	4							•Plug		
4	VOE11701543	4						K	•Valve seat		Inlet / Insug
5	VOE11701544	4						K	•Valve seat		Exhaust / Avgas
6	VOE11705294	4						K	•Valve guide		(VOE11999009)Inlet / Insug
7	VOE11705753	4						K	•Valve guide		(VOE11997842) Exhaust / avgas
8	VOE11997018	4						K	•Inlet valve		
9	VOE11997841	4						K	•Exhaust valve		
10	VOE6642514	8							•Washer		
11	VOE11991724	8							•Spring		
12	VOE11991725	8							•Spring		
13	VOE484071	8							•Sealing		
14	VOE11991726	8						K	•Spring plate		
15	VOE483530	16						K	•Valve sleeve		(VOE7483530)
16	VOE11997843	4							•Plug		

	VOE11702180	1							Overhaul kit		
17	VOE3976803	1							Gasket		(VOE11701545)
18	VOE11997844	2							Screw		
19	VOE11997845	8							Bolt		
20	VOE11997846	12							Bolt		
21	VOE11998044	1							Plate		
22	VOE946440	3							Flange screw		
23	VOE11998156	1							Gasket		
24	VOE11988387	1							Valve cover		(VOE11701584)
25	VOE11701585	1							•Connector		
26	VOE11701586	1							•Gasket		
27	VOE11701692	1							•Cover		
28	VOE11701588	1							•O-ring		
29	VOE11701589	1							•Cover		
30	VOE11701590	1							•Gasket		
31	VOE11998004	1							•Sealing		
32	VOE11701591	1							•Plastic foam sleeve		
33	VOE11701592	3							•Baffle		
34	VOE11701593	14							•Screw		
35	VOE11701594	4							•Insert		
36	VOE11701595	1							•Valve		
37	VOE11701596	1							•O-ring		
38	VOE11701597	1							•O-ring		
39	VOE11988395	3							•Nut		(VOE11999025)
40	VOE11701467	3					SS		•Washer		
41	VOE11997049	3							•Sealing ring		
42	VOE11998003	3							•Shim		
43	VOE11998148	1							Lifting plate		
44	VOE946329	2							Flange screw		
45	VOE11701654	1							Spacer		
46	VOE11998149	1							Lifting plate		
47	VOE946472	2							Flange screw		
48	VOE946441	2							Flange screw		

Date: <b>2013/10/9</b>	Image id: <b>FN121</b>	Catalogue: <b>99519</b>	Model: <b>EC150C</b>
Brand: <b>Åkerman</b>	Serial: <b>201-253</b>	Group/Section: <b>212/100</b>	Title: <b>Cylinder block</b>



Volvo Construction  
Equipment  
FN 121

Pos	Part	Q1	Q2	Q3	Q4	Q5	PS	Kit	Description	Option(s)	Remark
1	VOE11704870	1					SS		Cylinder block		(VOE11701523)
2		4							•Cylinder liner		See ref 213/100
3		5					NS		•Bearing carrier		
4	VOE6210370	10							•Screw		
5	VOE483302	10							•Guide sleeve		
6	VOE483898	6							•Plug		
7	VOE11997805	1							•Plug		
8	VOE483445	1							•Plug		
9	VOE11997810	1							•Washer		

**<https://www.ebooklibonline.com>**

Hello dear friend!

Thank you very much for reading.

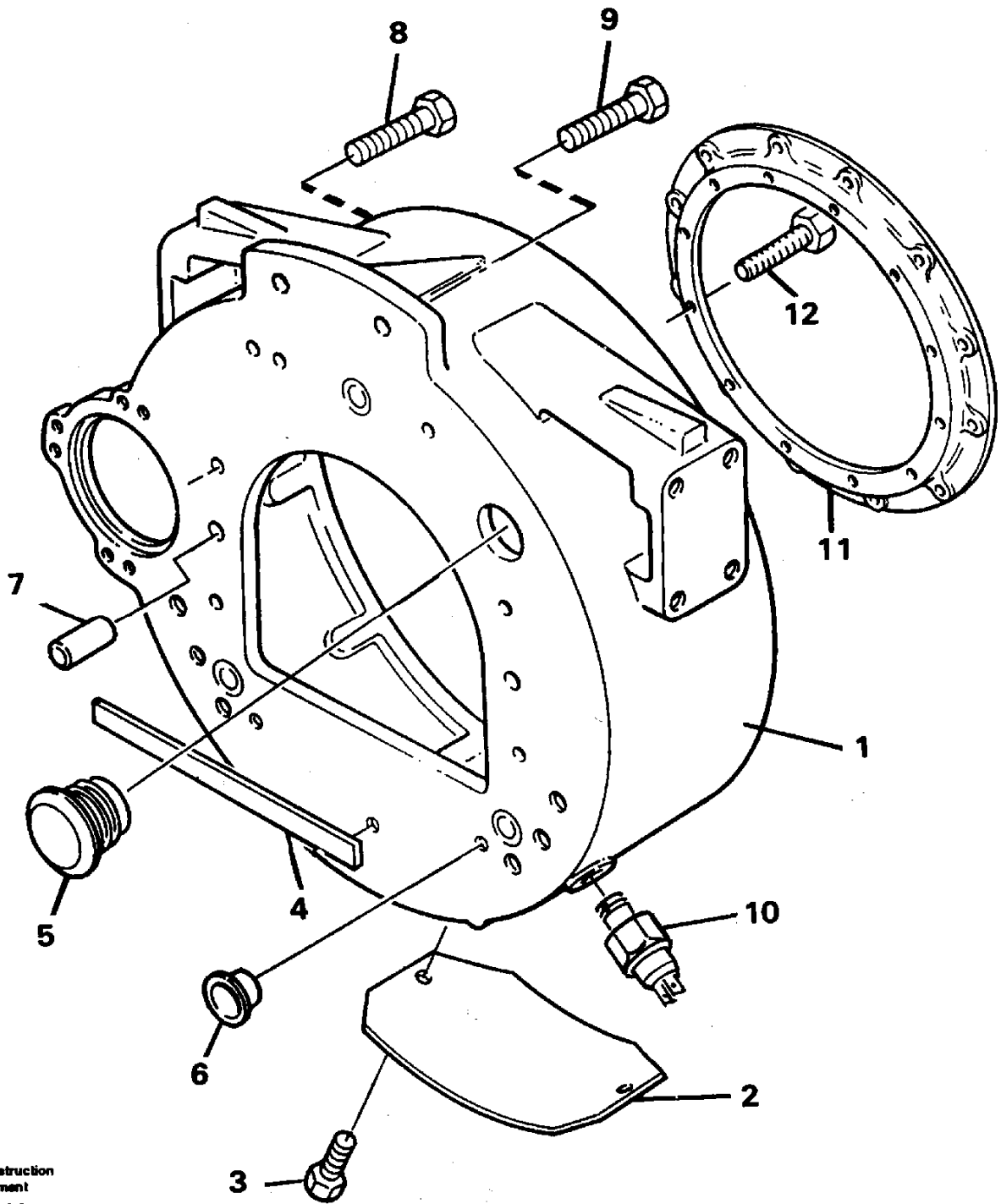
Enter the link into your browser.

The full manual is available for immediate download.

**<https://www.ebooklibonline.com>**

10	VOE968147	1							•Plug		(VOE13926886)
11	VOE11714691	4							•Nozzle		(VOE11997815)
12	VOE11997816	4							•Dowel		
13	VOE11997817	4							•Valve		
14	VOE11997818	4							••Ball		
15	VOE11997819	4							••Spring		
16	VOE11997820	4							••Retainer		
17	VOE3976506	1							•Bushing		(VOE11997806)
18	VOE11700782	1							•Plug		
19	VOE11998028	1							Adapter		
20	VOE11998009	1							Gasket		(VOE11998009)
21	VOE11998030	1							Screw		
21	VOE11998031	3							Screw		
22	VOE483645	1							Plug		
23	VOE6637386	1							Plug		
24	VOE11997807	9							Plug		
25	VOE11997809	1					SS		Plug		
26	VOE11997808	1							Plug		
27	VOE11998999	1							Cover		
28	VOE6212971	1							Sealing ring		
29	VOE11706327	1							Gasket		(VOE11997013)
30	VOE480219	2							Pin		
31	VOE13946173	12							Screw		(VOE946173)
32	VOE11997014	2							Screw		
33	VOE482291	2							Plug		
34	VOE16218	1							Nipple		
35	VOE11039249	1							Pressure monitor		
36	VOE11701568	1					SS		Switch		

Date: <b>2013/10/9</b>	Image id: <b>FN128</b>	Catalogue: <b>99519</b>	Model: <b>EC150C</b>
Brand: <b>Åkerman</b>	Serial: <b>201-253</b>	Group/Section: <b>212/150</b>	Title: <b>Flywheel housing</b>

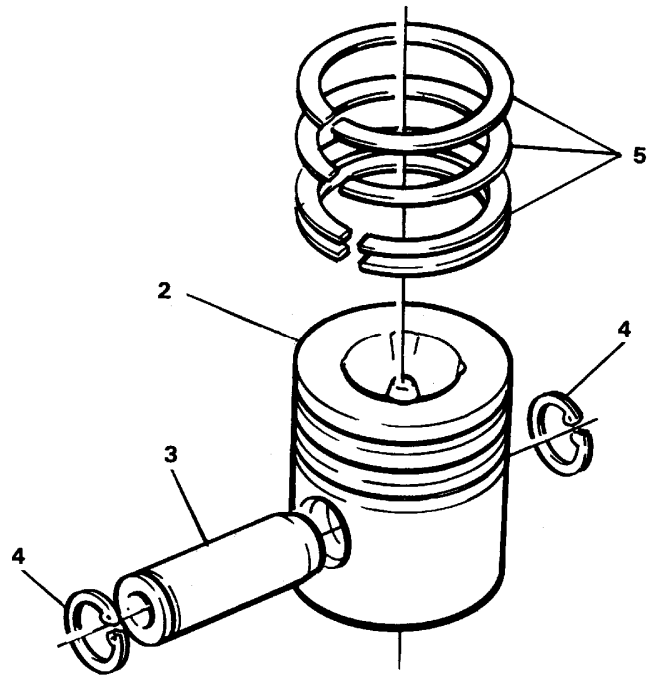
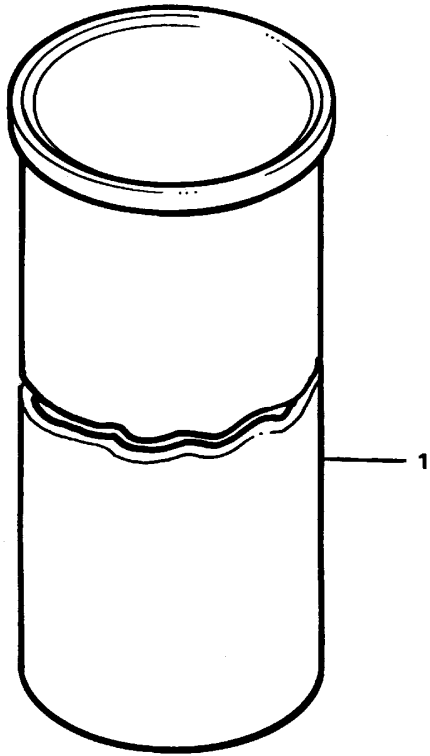


Volvo Construction  
Equipment  
**FN 128**

Pos	Part	Q1	Q2	Q3	Q4	Q5	PS	Kit	Description	Option(s)	Remark
1	VOE11997942	1					SS		Flywheel housing		
2		1					NS		Plate		

3	VOE11998909	2							Screw		
4	VOE6211401	1							Gasket		(VOE11702569)
5	VOE11709238	1							Plug		(VOE11702143)
6	VOE11997935	3							Plug		
7	VOE483449	2							Pin		
8	VOE11701723	6					SS		Screw		
9	VOE13965191	2							Screw		(VOE11997884)
10	VOE11039362	1							Induction sensor		
11	VOE11997258	1							Adapter ring		
12	VOE946329	12							Flange screw		

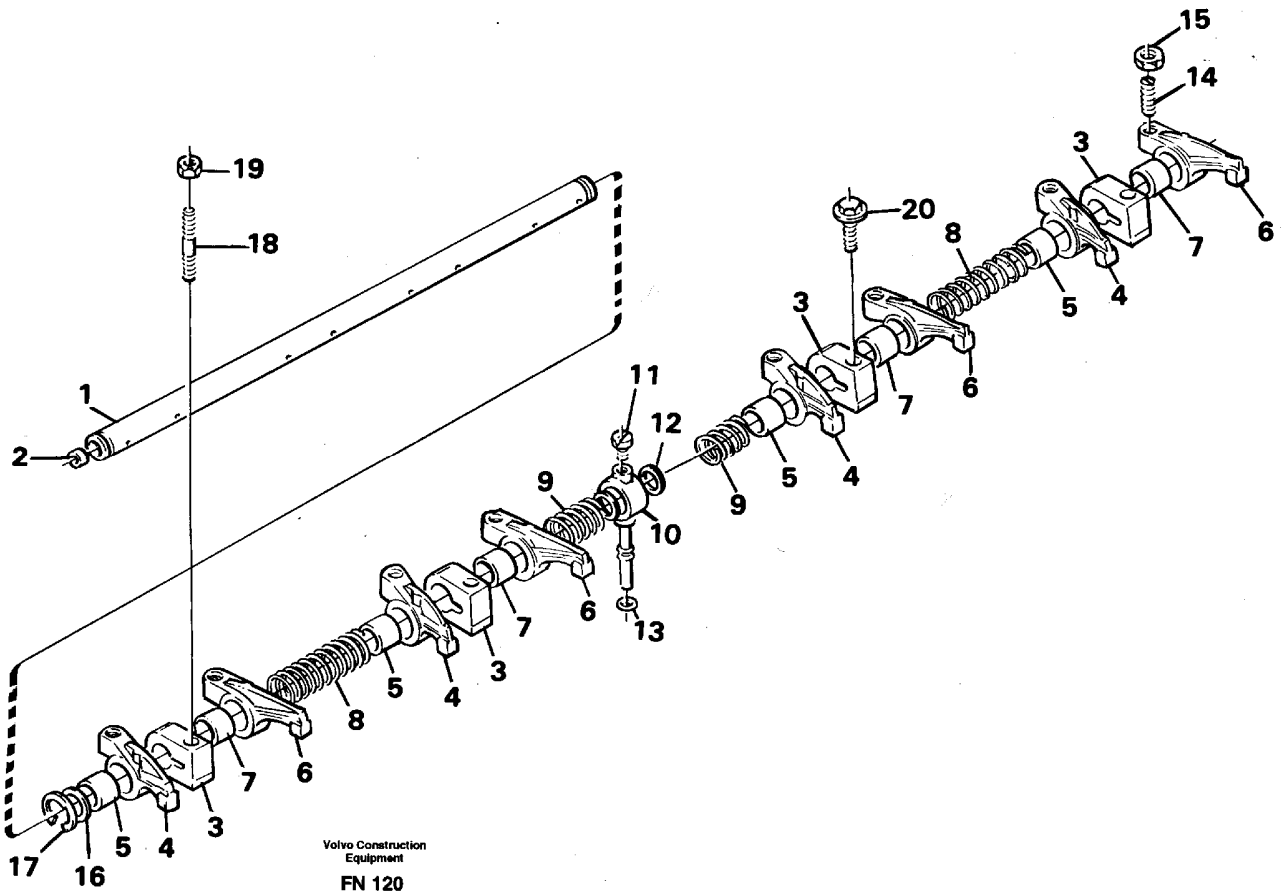
Date: <b>2013/10/9</b>	Image id: <b>FN122</b>	Catalogue: <b>99519</b>	Model: <b>EC150C</b>
Brand: <b>Åkerman</b>	Serial: <b>201-253</b>	Group/Section: <b>213/100</b>	Title: <b>Cylinder liner and piston</b>



Volvo Construction  
Equipment  
FN 122

Pos	Part	Q1	Q2	Q3	Q4	Q5	PS	Kit	Description	Option(s)	Remark
1	VOE11998997	4							Cylinder Liner		
2	VOE11701539	4							Piston Kit		
3		4					NS		•Piston pin		
4	VOE11998877	8							•Snap Ring		
5	VOE11701524	4							Piston Ring Kit		

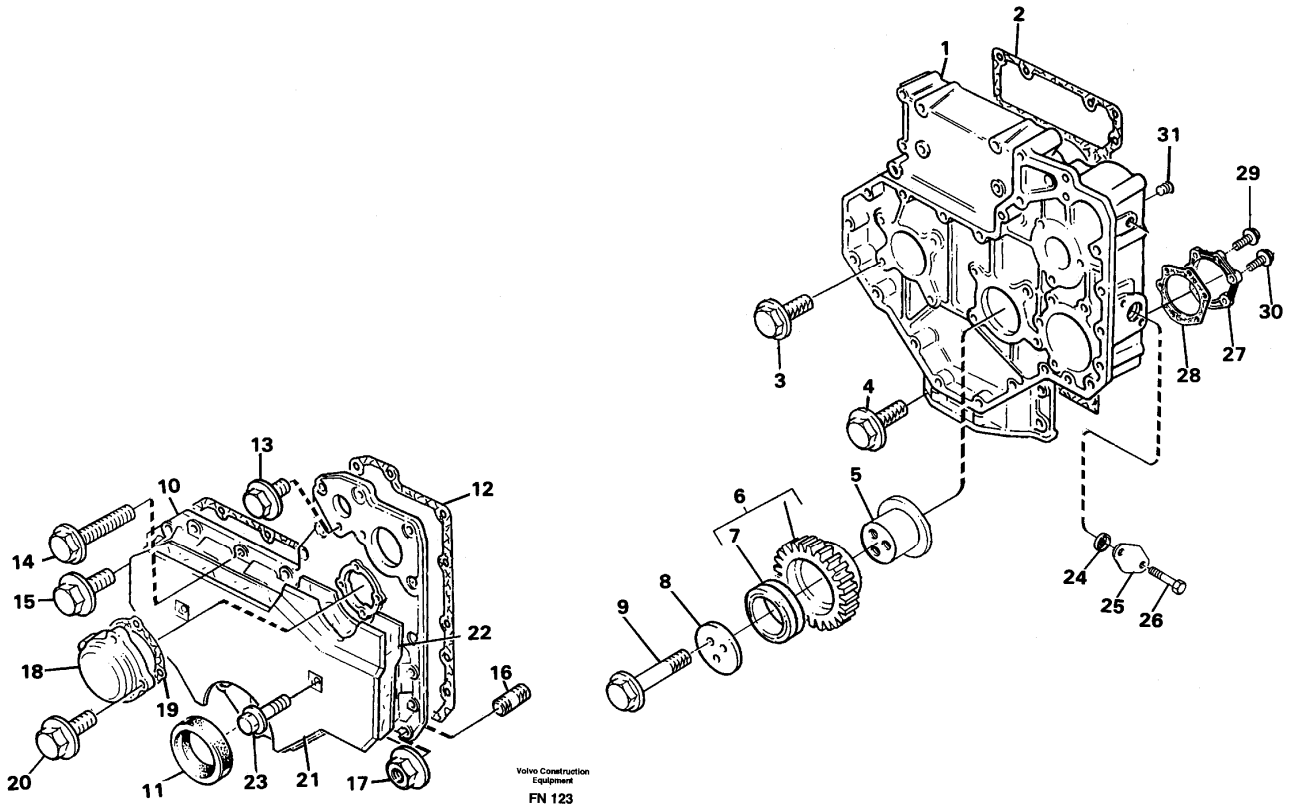
Date: <b>2013/10/9</b>	Image id: <b>FN120</b>	Catalogue: <b>99519</b>	Model: <b>EC150C</b>
Brand: <b>Åkerman</b>	Serial: <b>201-253</b>	Group/Section: <b>214/100</b>	Title: <b>Valve mechanism</b>



Pos	Part	Q1	Q2	Q3	Q4	Q5	PS	Kit	Description	Option(s)	Remark
	VOE11701547	1							Rocker Arm Kit		
1	VOE483361	1							•Rocker Arm Shaft		
2	VOE6613201	2							••Plug		
3	VOE11997850	4							•Bearing Bracket		
4	VOE11704518	4							•Rocker Arm		(VOE11701548)
5	VOE11998104	4							••Bushing		
6	VOE11704584	4							•Rocker Arm		(VOE11701549)
7	VOE11998104	4							••Bushing		
8	VOE483363	2							•Spring		(VOE7483363)
9	VOE483364	2							•Spring		
10	VOE11997853	1							•Pipe		
11	VOE11997854	1							•Screw		
12	VOE11997855	2							•Shim		
13	VOE483510	1							•Sealing ring		
14	VOE3976859	8							•Stud		(VOE6616717)



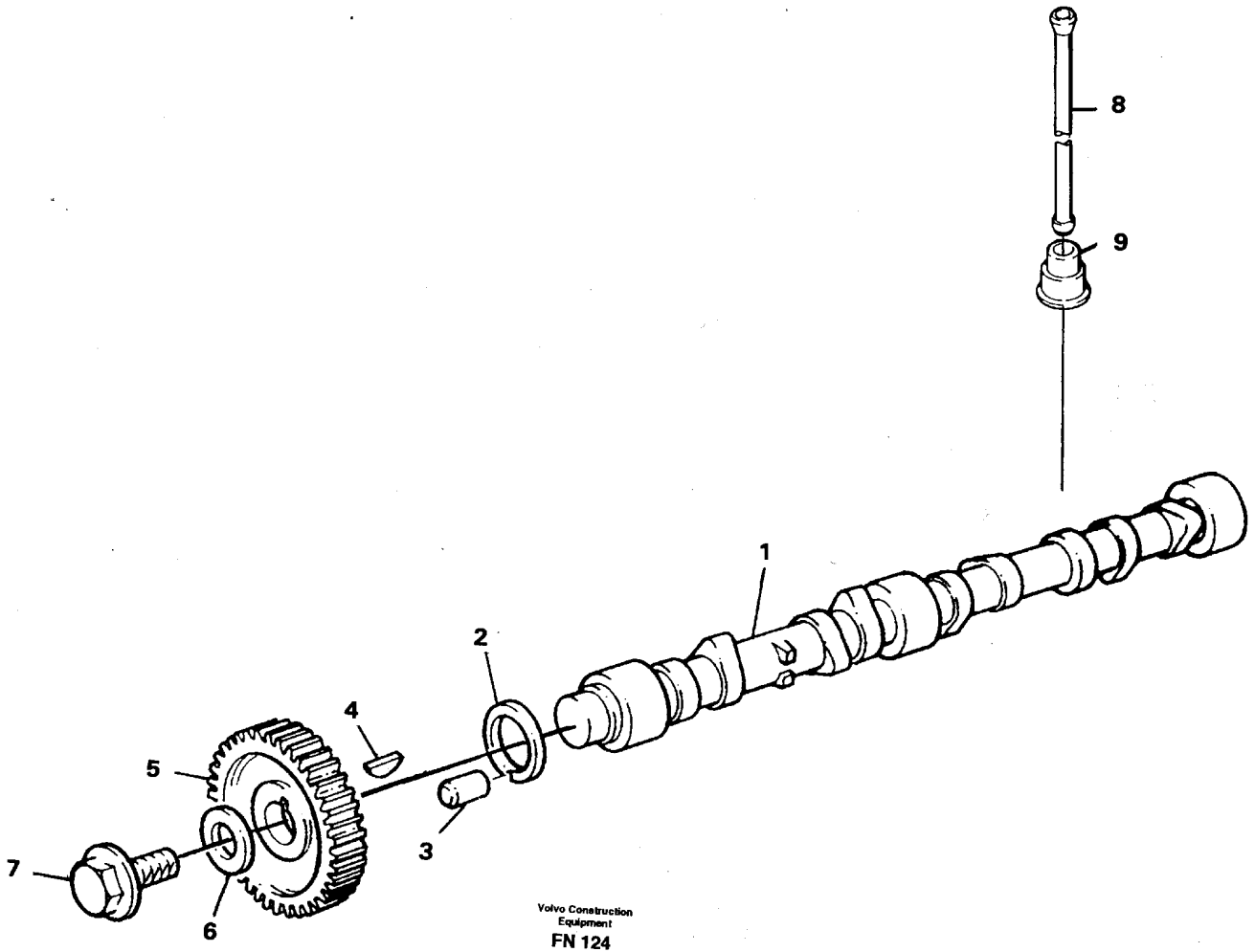
Date: <b>2013/10/9</b>	Image id: <b>FN123</b>	Catalogue: <b>99519</b>	Model: <b>EC150C</b>
Brand: <b>Åkerman</b>	Serial: <b>201-253</b>	Group/Section: <b>215/100</b>	Title: <b>Timing gear casing</b>



Pos	Part	Q1	Q2	Q3	Q4	Q5	PS	Kit	Description	Option(s)	Remark
1	VOE11716115	1							Timing gear casing		(VOE11701553)
2	VOE11711203	1							Gasket		(VOE11997879)
3	VOE13946173	8							Screw		(VOE946173)
4	VOE11997880	4							Screw		
5	VOE6642825	1							Hub		
6	VOE11997886	1							Gear		
7		1					NS		•Bushing		
8	VOE11701556	1					SS		Plate		
9	VOE13965187	3							Screw		
10	VOE11997887	1					SS		Timing gear cover		
11	VOE6212928	1							Sealing ring		
12	VOE11988378	1							Gasket		(VOE11997888)
13	VOE13965181	6							Screw		
14	VOE946671	6							Flange screw		(VOE11997901)
15	VOE13945444	1							Screw		
16	VOE11997915	2							Stud		
17	VOE13945408	2							Nut		

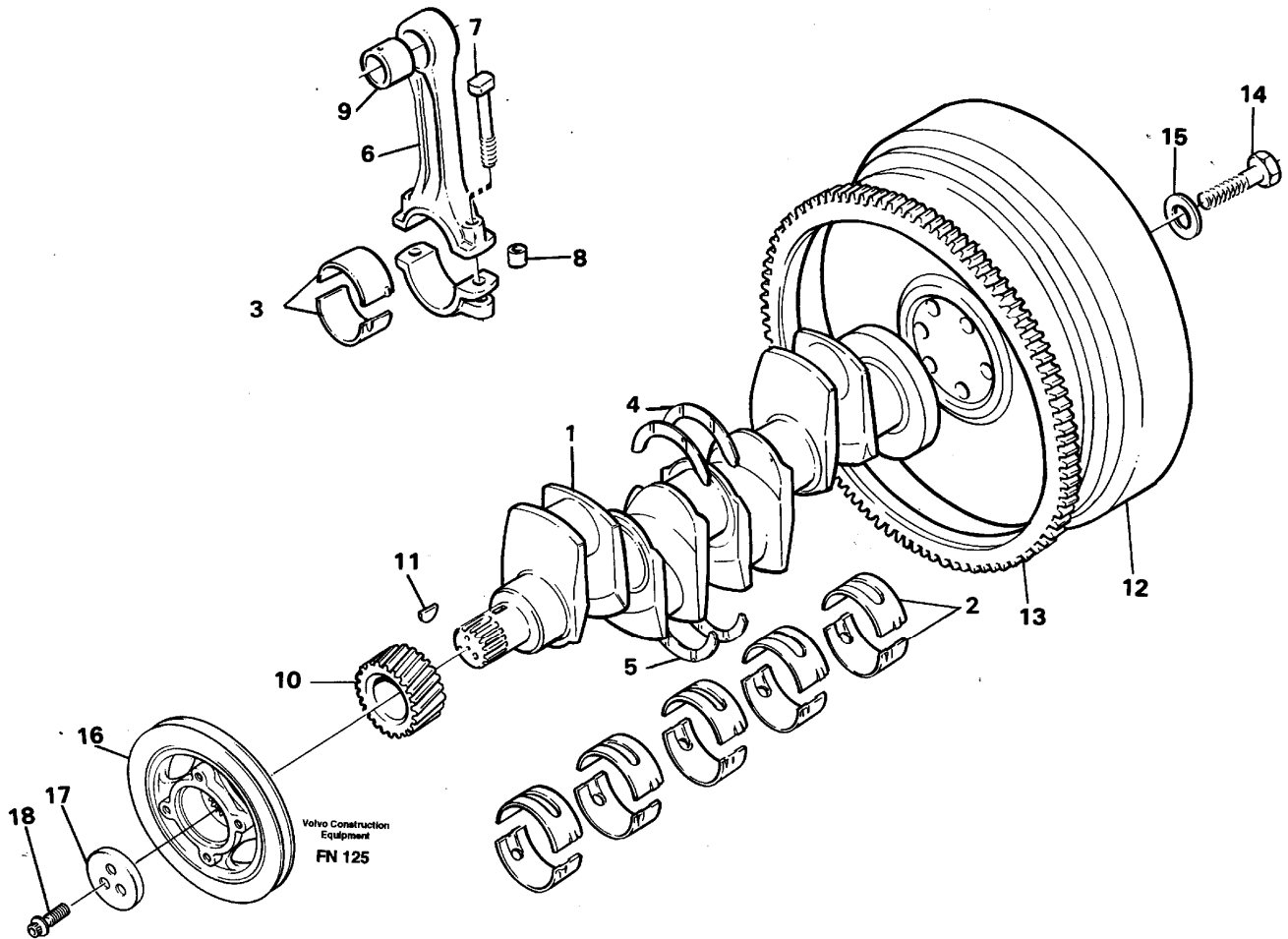
18	VOE11997890	1							Cover		
19	VOE11997891	1							Gasket		
20	VOE11997893	4					SS		Screw		
21	VOE11701557	1							Shield		
22	VOE11701558	1							Damper		
23	VOE945358	2							Flange screw		(VOE13945358)
24	VOE11997996	1							Strainer		
25	VOE11700796	1					SS		Plate		
26	VOE13946173	2							Screw		(VOE946173)
27	VOE11998060	1					SS		Spacer		
28	VOE11998164	1							Gasket		(VOE11998061)
29	VOE11997880	5							Screw		
30	VOE946472	1							Flange screw		
31	VOE479977	1							Plug		

Date: <b>2013/10/9</b>	Image id: <b>FN124</b>	Catalogue: <b>99519</b>	Model: <b>EC150C</b>
Brand: <b>Åkerman</b>	Serial: <b>201-253</b>	Group/Section: <b>215/150</b>	Title: <b>Camshaft</b>



Pos	Part	Q1	Q2	Q3	Q4	Q5	PS	Kit	Description	Option(s)	Remark
1	VOE11701554	1							Camshaft		
2	VOE11997882	1							Washer		
3	VOE6210552	1							Pin		
4	VOE483448	1							Key		
5	VOE11700783	1							Gear		
6	VOE11997885	1							Washer		
7	VOE11701555	1							Screw		
8	VOE483371	8							Push rod		
9	VOE3976551	8							Tappet		(VOE483370)

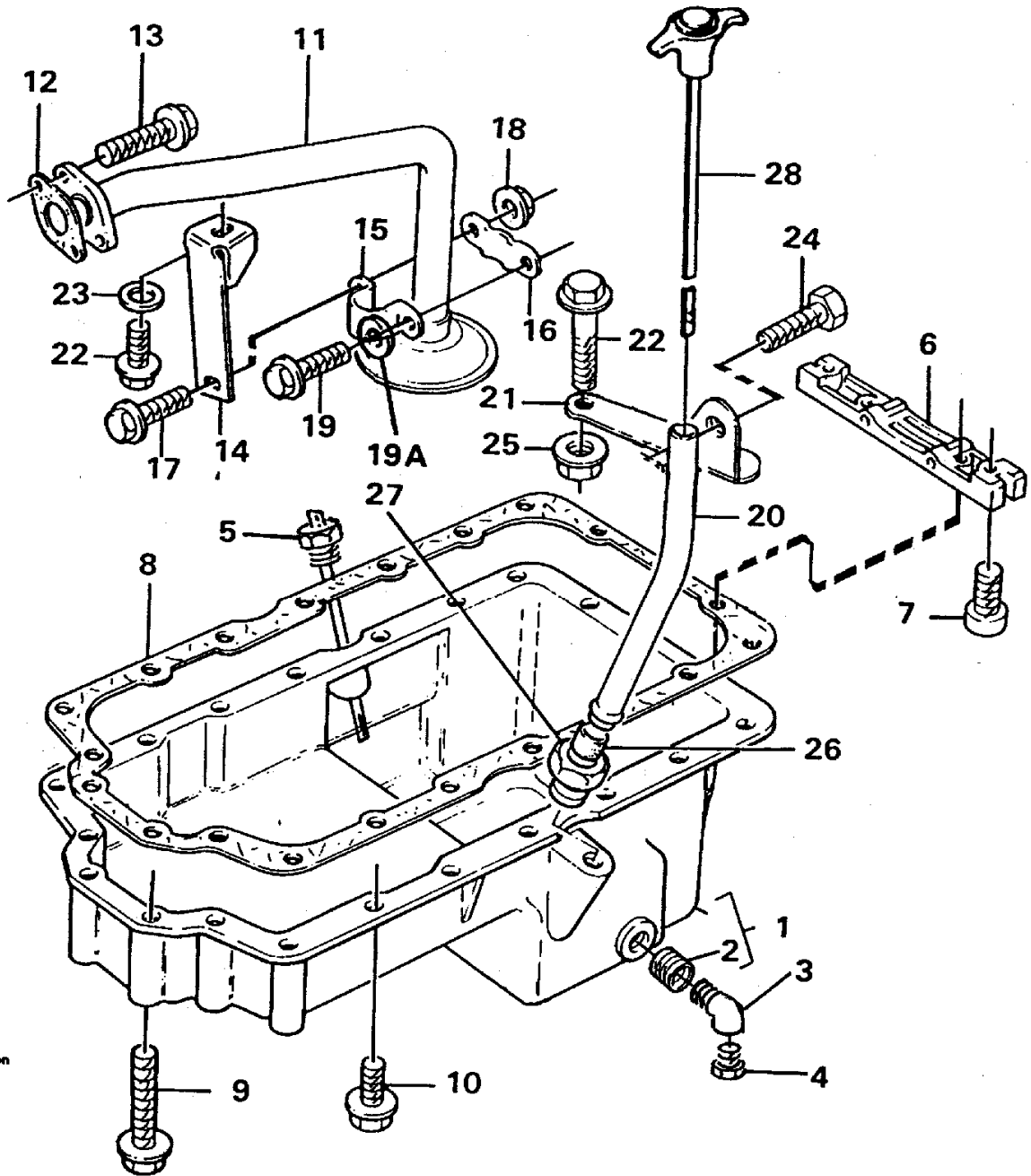
Date: <b>2013/10/9</b>	Image id: <b>FN125</b>	Catalogue: <b>99519</b>	Model: <b>EC150C</b>
Brand: <b>Åkerman</b>	Serial: <b>201-253</b>	Group/Section: <b>216/100</b>	Title: <b>Crankshaft and related parts</b>



Pos	Part	Q1	Q2	Q3	Q4	Q5	PS	Kit	Description	Option(s)	Remark
1	VOE1170646	1							Crankshaft		(VOE11999180)
2	VOE483350	1							•Mn Bearing Kit		(VOE7483350)STD SZ
	VOE483351	1							•Mn Bearing Kit		(VOE7483351)0,25 mm U SZ
	VOE483352	1							•Mn Bearing Kit		(VOE7483352)0,50 mm U SZ
	VOE483353	1							•Mn Bearing Kit		(VOE7483353)0,75 mm U SZ
3	VOE11997824	1							•Big End Brg Kit		STD SZ
	VOE11997825	1							•Big End Brg Kit		0,25 mm U SZ
	VOE11997826	1							•Big End Brg Kit		0,50 mm U SZ
	VOE11997827	1							•Big End Brg Kit		(VOE7483357)0,75 mm U SZ
4	VOE483336	2							•Thrust Washer		(VOE7483336)STD SZ
	VOE7483338	2					SS		•Thrust Washer		0,19 mm O SZ

5	VOE483337	2							•Thrust Washer		(VOE7483337)STD SZ
	VOE483339	2							•Thrust Washer		(VOE7483339)0,19 mm O SZ
6	VOE11999002	4							Connecting Rod Kit		
7	VOE11999004	8							•Screw		
8	VOE11999005	8							•Socket		
9	VOE11999621	4							•Bearing Bushing		
10	VOE11997833	1							Gear		
11	VOE483448	1							Key		(VOE7483448)
12	VOE11999539	1							Flywheel		
13	VOE11997947	1							•Gear Ring		
14	VOE11997945	12							Bolt		
15	VOE11997946	12							Washer		
16	VOE11997037	1							Pulley		
17	VOE11997970	1							Block		
18	VOE11997971	3							Screw		

Date: <b>2013/10/9</b>	Image id: <b>FN126</b>	Catalogue: <b>99519</b>	Model: <b>EC150C</b>
Brand: <b>Åkerman</b>	Serial: <b>201-253</b>	Group/Section: <b>217/100</b>	Title: <b>Oil sump</b>



Pos	Part	Q1	Q2	Q3	Q4	Q5	PS	Kit	Description	Option(s)	Remark
1	VOE11712585	1							Oil pan		(VOE11997039)
2	VOE11997987	2							•Insert sleeve		
3	VOE14216233	2							Elbow		
4	VOE14216234	2							Plug		
5	VOE11703450	1							Sensor		(VOE11702279)

6	VOE11701581	1							Bridge		(VOE11997978)
7	VOE11997813	2					SS		Screw		
8	VOE11997979	1							Gasket		
9	VOE11997968	6							Screw		
10	VOE13946173	14							Screw		(VOE946173)
11	VOE11997040	1							Oil pipe		
12	VOE11707068	1							Gasket		(VOE11701582)
13	VOE13947760	2							Screw		
14	VOE11997041	1							Bracket		
15	VOE11997043	1							Clamp		
16	VOE11997042	1							Plate		
17	VOE13946544	1							Screw		
18	VOE11998120	2							Nut		
19	VOE13965175	1							Screw		
19A	VOE11701583	1							Washer		
20	VOE11997044	1					SS		Oil pipe		
21	VOE11997046	1							Bracket		
22	VOE946440	1							Flange screw		
23	VOE6639370	1							Washer		
24	VOE946471	2							Flange screw		
25	VOE13945408	1							Nut		
26	VOE11997985	1							O-ring		
27	VOE11998893	1							Nut		
28	VOE11997047	1					SS		Dipstick		



**Suggest:**

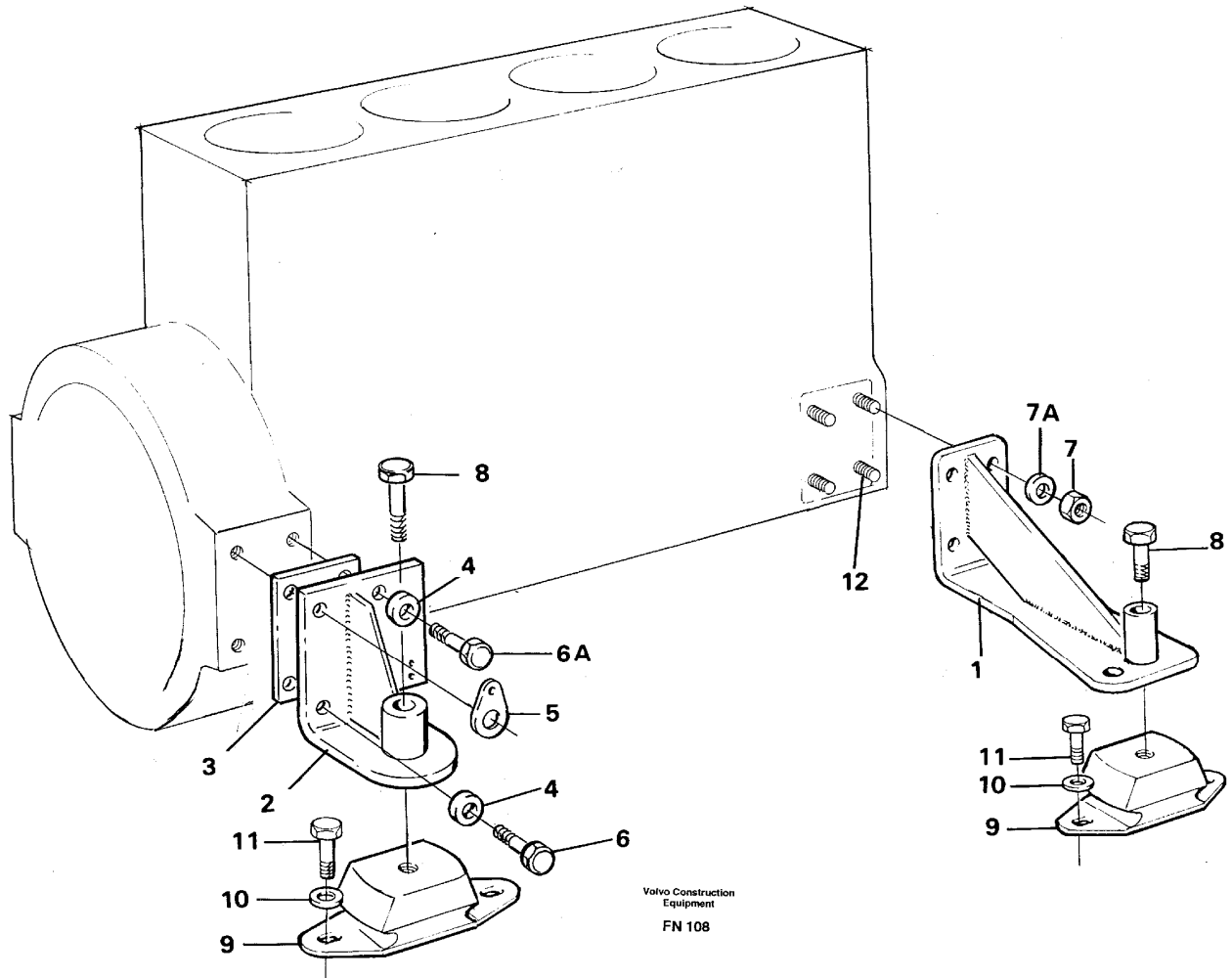
**For more complete manuals. Please go to the home page.**

**<https://www.ebooklibonline.com>**

**If the above button click is invalid. Please download this document first, and then click the above link to download the complete manual.**

**Thank you so much for reading**

Date: <b>2013/10/9</b>	Image id: <b>FN108</b>	Catalogue: <b>99519</b>	Model: <b>EC150C</b>
Brand: <b>Åkerman</b>	Serial: <b>201-253</b>	Group/Section: <b>218/100</b>	Title: <b>Engine mounting</b>



Pos	Part	Q1	Q2	Q3	Q4	Q5	PS	Kit	Description	Option(s)	Remark
1	VOE14257205	2							Engine Mounting		
2	VOE14257210	1							Engine Mounting		RH
	VOE14267325	1					SS		Engine Mounting		LH
3	VOE14258737	1							Spacer		RH
4	VOE14040547	8							Spacer		
5	VOE14252169	1							Attachment		
6	VOE13965193	4							Flange screw		L = 50mm
6A	VOE13965194	4							Flange screw		L = 60mm
7	VOE13971090	8							Lock nut		
7A	VOE14248129	8							Washer		
8	VOE955372	4							Hexagon screw		
9	VOE14266108	4							Rubber Damper		

10	VOE13960145	8							Washer		
11	VOE13970970	8							Hexagon screw		
12	VOE11998146	8							Stud		
	VOE14024293	REQ					OP		Locking Fluid		

**<https://www.ebooklibonline.com>**

Hello dear friend!

Thank you very much for reading.

Enter the link into your browser.

The full manual is available for immediate download.

**<https://www.ebooklibonline.com>**