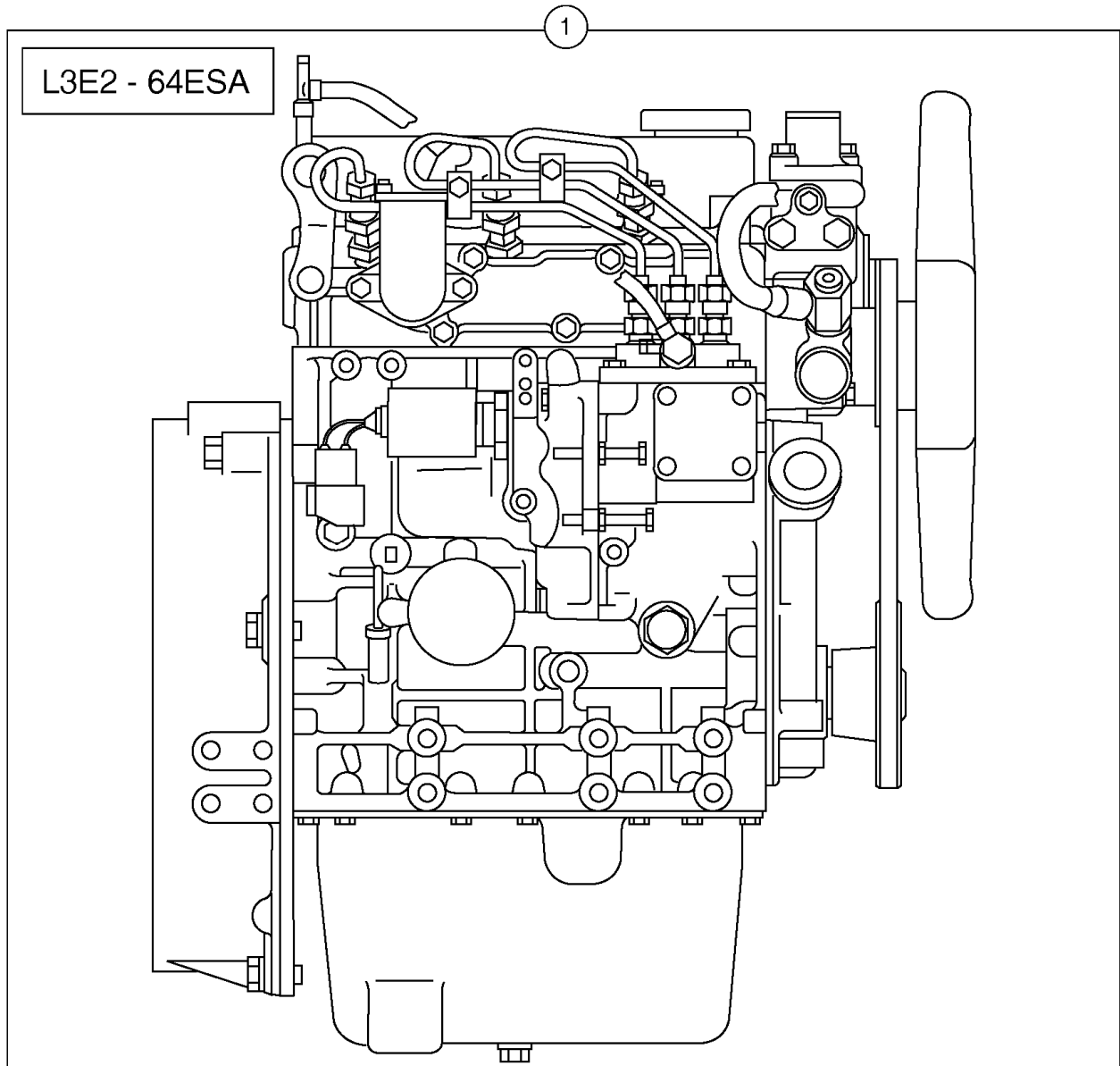


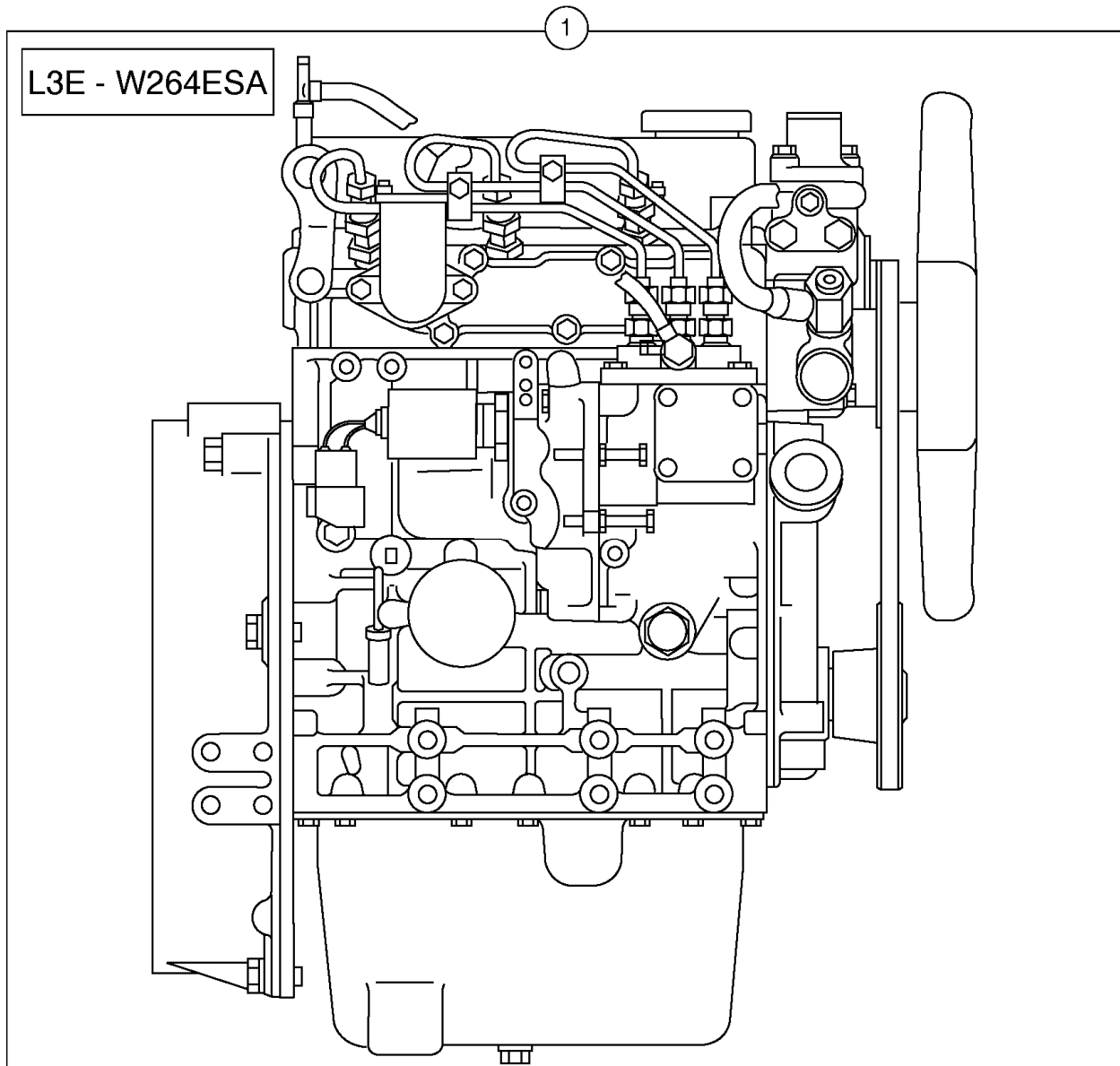
Date: 2013/11/28	Image id: 210Z1	Catalogue: 10019	Model: EC20B XTV
Brand: Volvo	Serial: 80151-99999	Group/Section: 210/100	Title: Equipped engine L3E2-64ESA



Q1-Q5	Option	Option description	
Q1.			
Q2.			

Pos	Part	Q1	Q2	Q3	Q4	Q5	PS	Kit	Description	Option(s)	Remark
1	VOE11800860	1	1						Engine		L3E2-64ESA

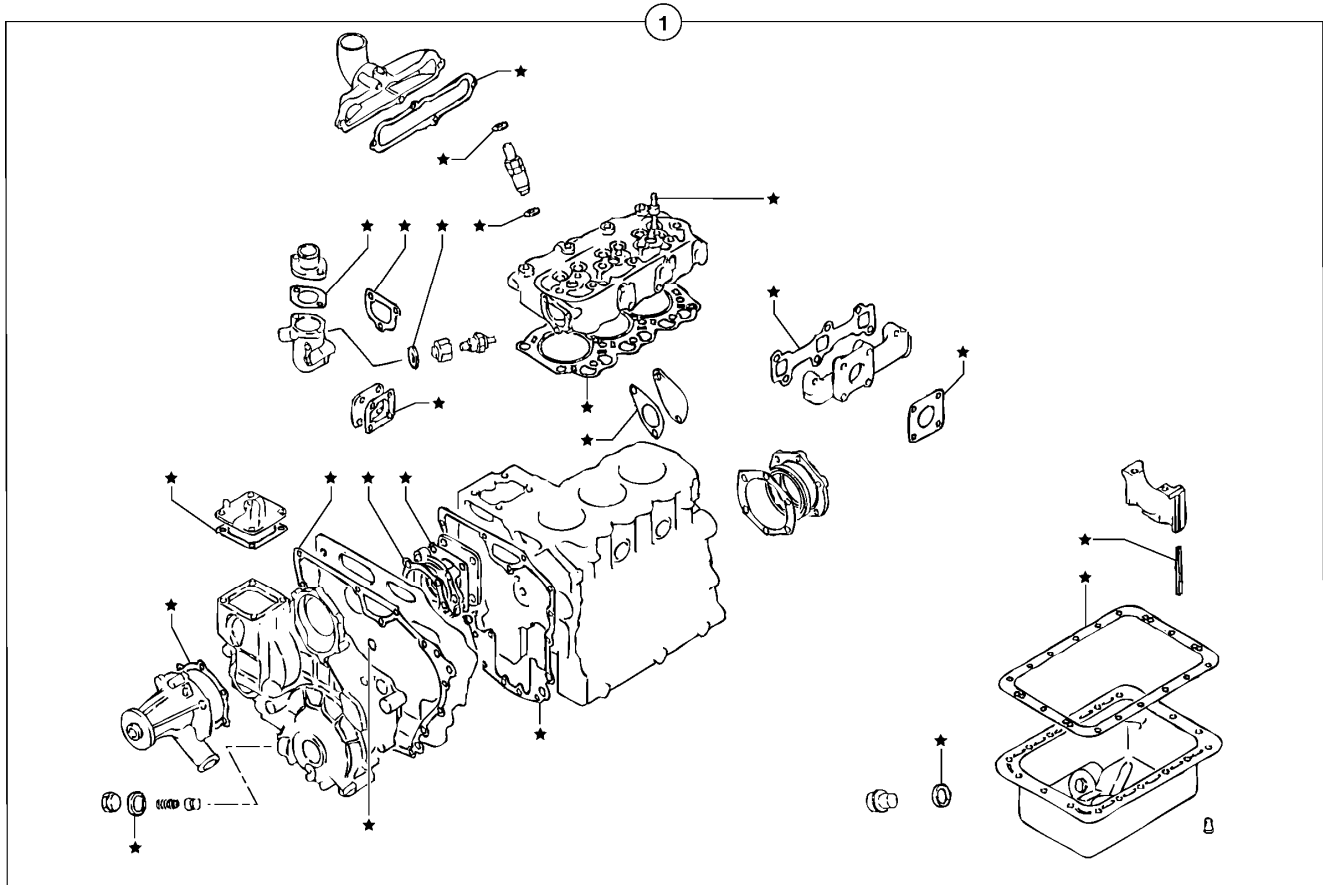
Date: 2013/11/28	Image id: 210NZ1	Catalogue: 10019	Model: EC20B XTV
Brand: Volvo	Serial: 80151-99999	Group/Section: 210/200	Title: Equipped engine L3E-W264ESA



Q1-Q5	Option	Option description	
Q1 .			
Q2 .			

Pos	Part	Q1	Q2	Q3	Q4	Q5	PS	Kit	Description	Option(s)	Remark
1	VOE11800862	1	1						Engine		L3E-W264ESA

Date: 2013/11/28	Image id: 210PZ1	Catalogue: 10019	Model: EC20B XTV
Brand: Volvo	Serial: 80151-99999	Group/Section: 210/300	Title: Engine gasket kit



Q1-Q5	Option	Option description	
Q1 272.60151			
Q2 272.80151			

Pos	Part	Q1	Q2	Q3	Q4	Q5	PS	Kit	Description	Option(s)	Remark
1	PJ7418513	1	1						Seal kit		

<https://www.ebooklibonline.com>

Hello dear friend!

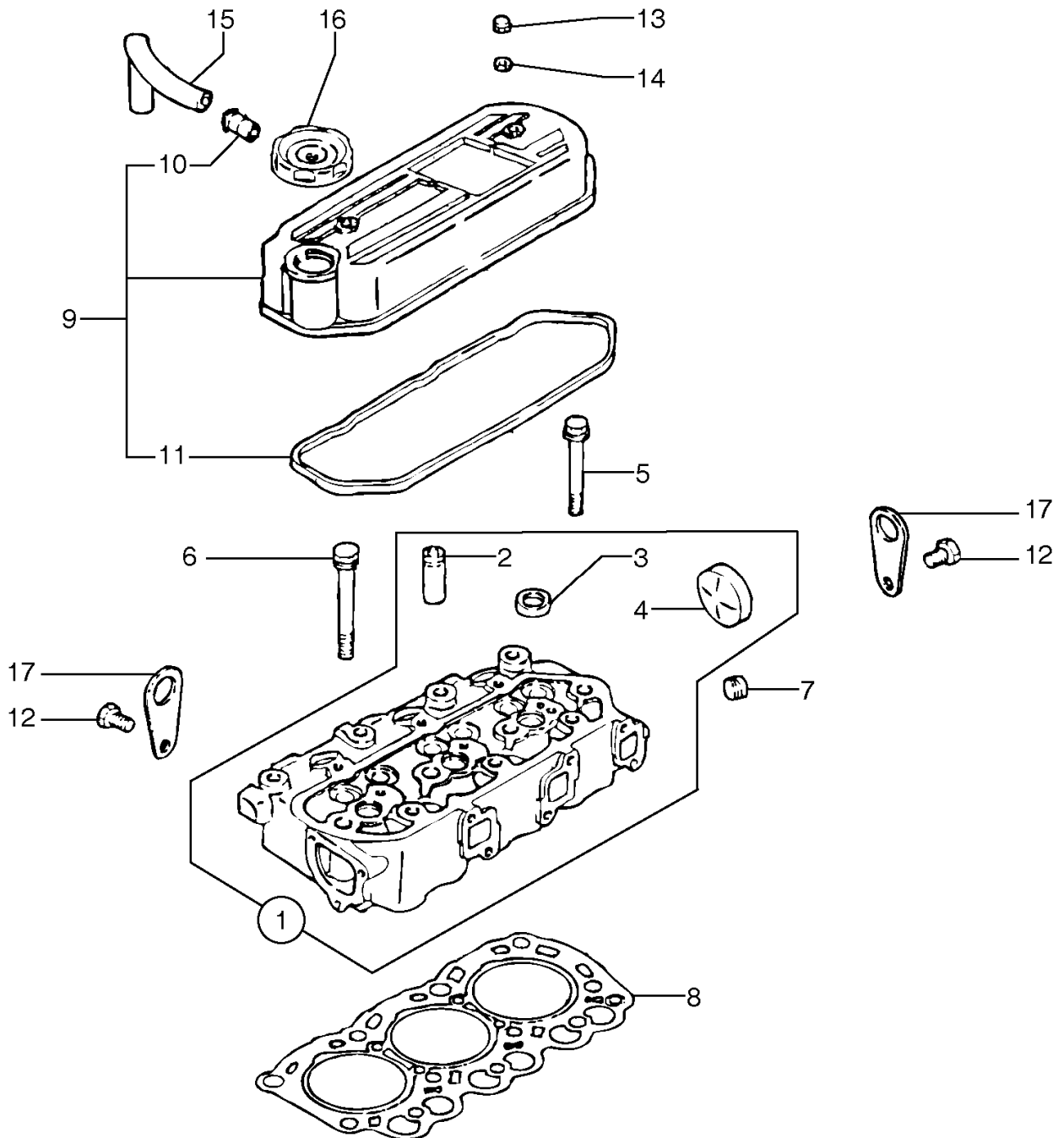
Thank you very much for reading.

Enter the link into your browser.

The full manual is available for immediate download.

<https://www.ebooklibonline.com>

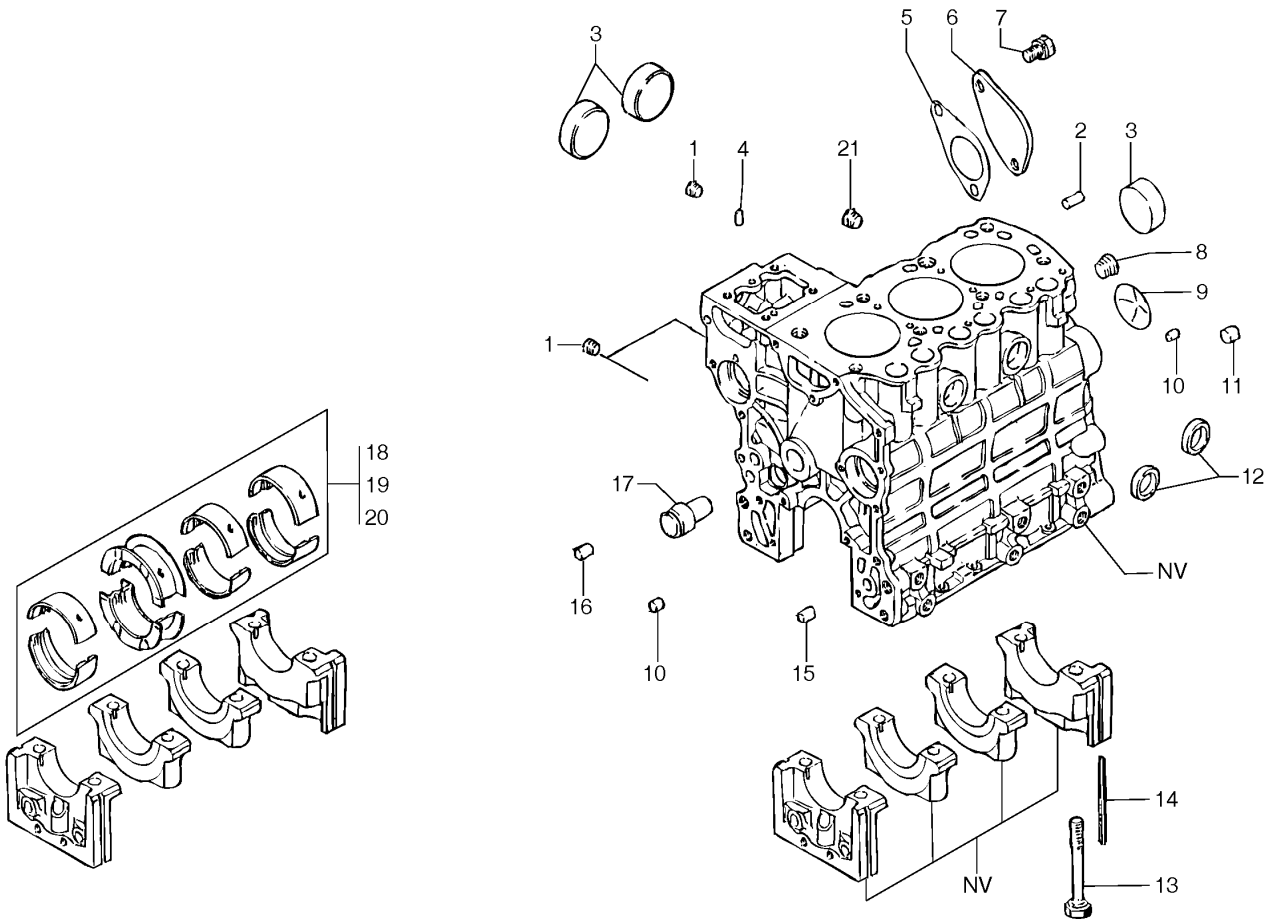
Date: 2013/11/28	Image id: 211Z1	Catalogue: 10019	Model: EC20B XTV
Brand: Volvo	Serial: 80151-99999	Group/Section: 211/100	Title: Cylinder head



Q1-Q5	Option	Option description	
Q1 272.60151			
Q2 272.80151			

Pos	Part	Q1	Q2	Q3	Q4	Q5	PS	Kit	Description	Option(s)	Remark
1	PJ7417039	1	1						Cylinder head		L3E2-64ESA
1	PJ7412995	1	1						Cylinder head		L3E-W264ESA
2	PJ7410611	6	6						•Giude		
3	PJ7410609	3	3						•Sealing		
4	PJ7410577	1	1						•Plug		
5	PJ7410587	3	3						Bolt		
6	PJ7417085	8	8						Bolt		
7	PJ7410691	1	1						Plug		
8	PJ7415738	1	1						Cyl Head Gasket		
9	PJ7418418	1	1						Cover		
10		1	1				NS		•Nipple		
11	PJ7412914	1	1						•Seal		
12	PJ7410097	2	2				SS		Screw		
13	PJ7410599	2	2						Nut		
14	PJ7410123	2	2				SS		Washer		
15	PJ7410665	1	1						Tube		
16	PJ11712227	1	1						Filler cap		
17	PJ7410628	2	2				OP		Support		

Date: 2013/11/28	Image id: 212Z1	Catalogue: 10019	Model: EC20B XTV
Brand: Volvo	Serial: 80151-99999	Group/Section: 212/100	Title: Cylinder block

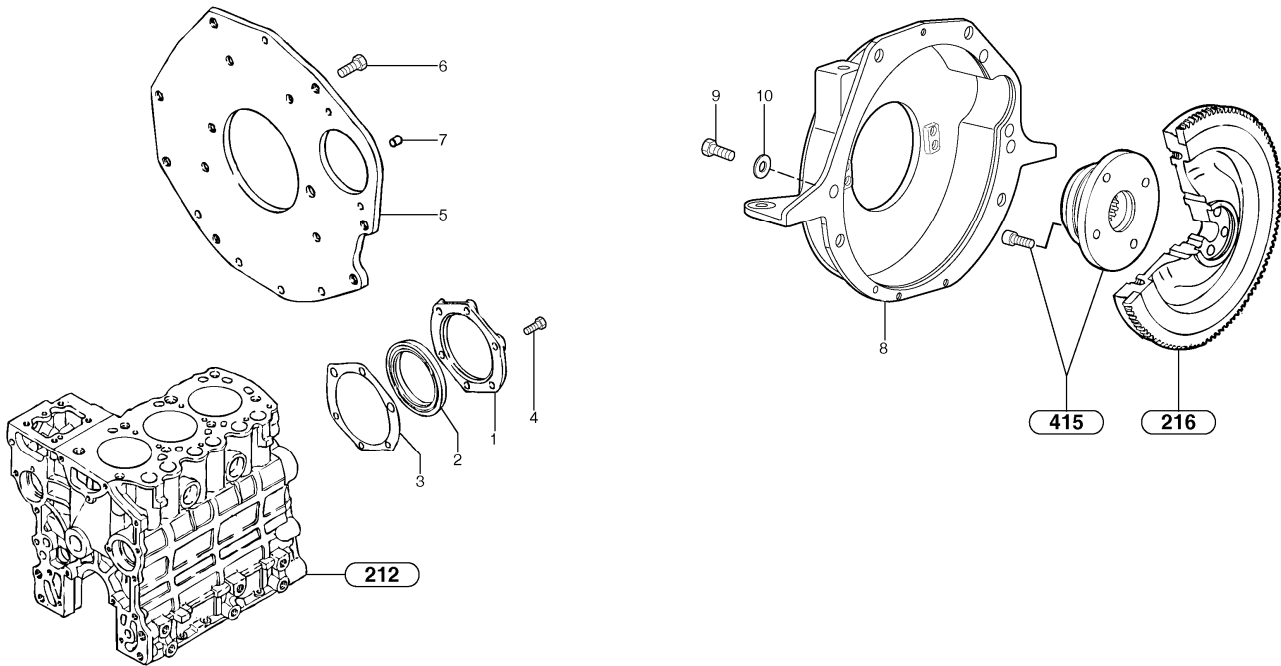


Q1-Q5	Option	Option description	
Q1 272.60151			
Q2 272.80151			

Pos	Part	Q1	Q2	Q3	Q4	Q5	PS	Kit	Description	Option(s)	Remark
1	PJ7417041	3	3						Plug		
2	PJ7410129	1	1						Centraliser		
3	PJ7410577	3	3						Plug		
4	PJ7410287	2	2						Centraliser		
5	PJ7418420	1	1						Seal		
6		1	1				NS		Plate		
7	PJ4380042	2	2						Screw		
8	PJ7410692	1	1						Plug		
9	PJ7410608	1	1						Plug		
10	PJ7410688	2	2						Bushing		

11	PJ7410690	3	3						Bushing		
12	PJ7410144	2	2						Plug		
13	PJ7418419	8	8						Bolt		
14	PJ7410625	4	4						Seal		
15	PJ7410689	1	1						Bushing		
16	PJ7410404	2	2						Bushing		
17	PJ7415739	1	1						Shaft		
18	PJ7413155	1	1						Bearings (kit)		STD
19	PJ7413156	1	1						Bearings (kit)		0,25 mm, 0.0098 in
20	PJ7413157	1	1						Bearings (kit)		0,50 mm, 0.0197 in
21	PJ7410039	1	1						Plug		

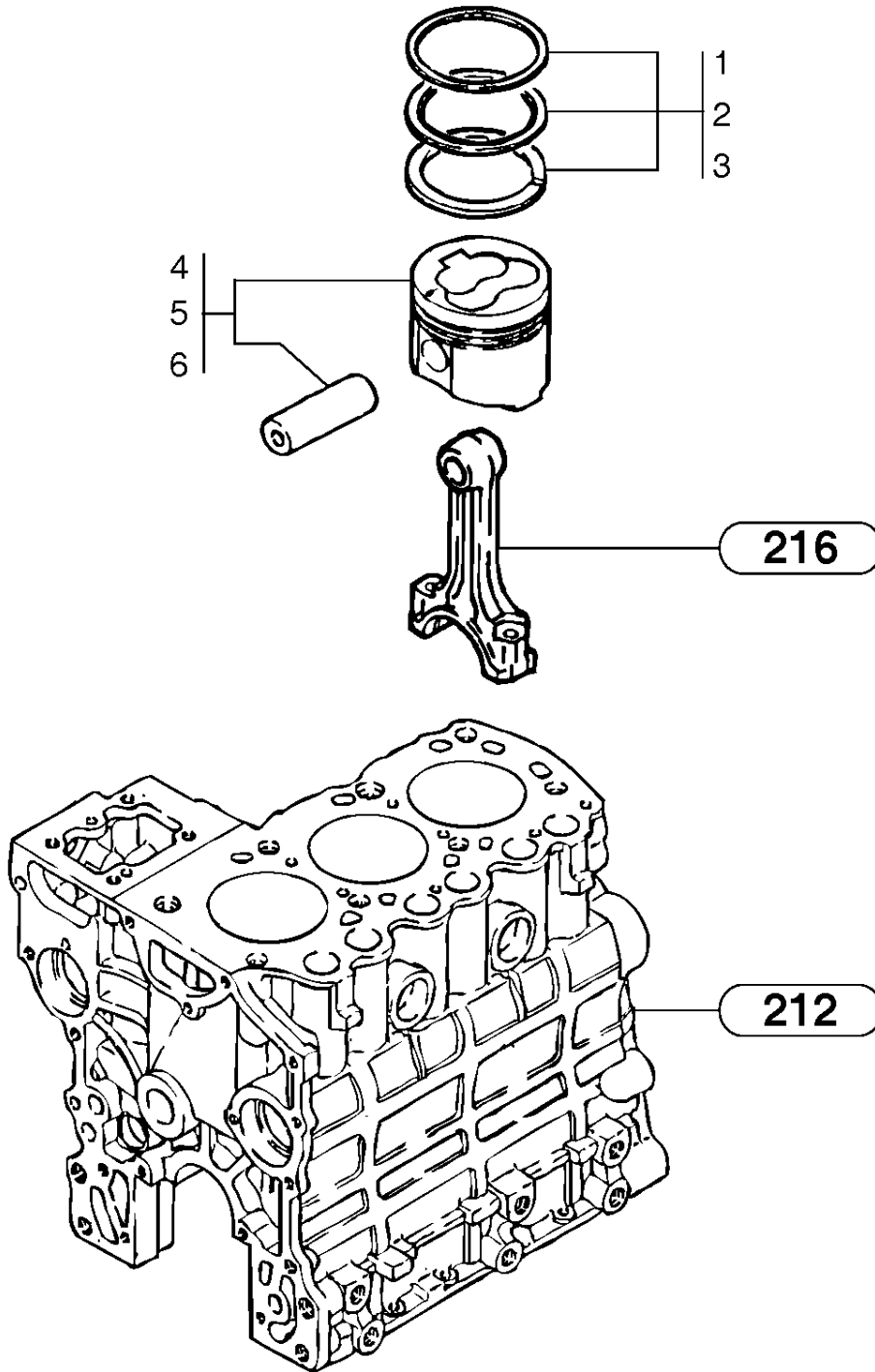
Date: 2013/11/28	Image id: 2125Z1	Catalogue: 10019	Model: EC20B XTV
Brand: Volvo	Serial: 80151-99999	Group/Section: 212/500	Title: Flywheel housing



Q1-Q5	Option	Option description	
Q1 272.60151			
Q2 272.80151			

Pos	Part	Q1	Q2	Q3	Q4	Q5	PS	Kit	Description	Option(s)	Remark
1	PJ7410615	1	1						Flange		
2	PJ7410585	1	1						Seal		
3	PJ7410626	1	1						Seal		
4	PJ4380032	6	6						Screw		
5		1	1				NS		Plate		
6	PJ7416472	6	6						Attachment kit		
7	PJ7412990	1	1						Centraliser		
8	PJ5030096	1	1						Flywheel housing		
9	PJ4380172	6	6						Screw		HM12X20
10	VOE955897	6	6						Washer		13x24x2

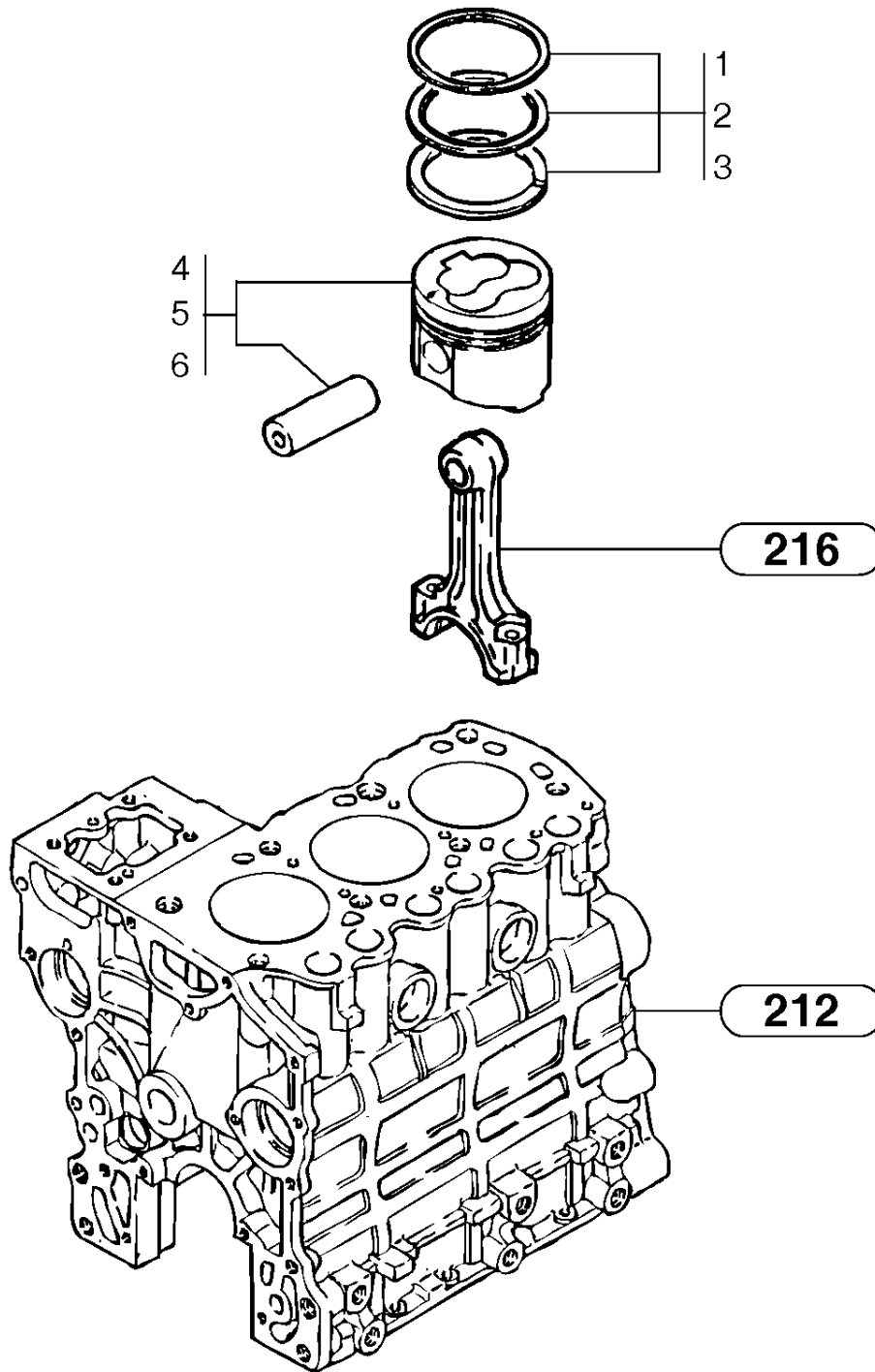
Date: 2013/11/28	Image id: 213Z1	Catalogue: 10019	Model: EC20B XTV
Brand: Volvo	Serial: 80151-99999	Group/Section: 213/100	Title: Pistons



Q1-Q5	Option	Option description	
Q1 L3E2-64ESA			

Pos	Part	Q1	Q2	Q3	Q4	Q5	PS	Kit	Description	Option(s)	Remark
1	PJ7410666	3							Piston rings (kit)		STD
2	PJ7411182	3							Piston rings (kit)		0,25 mm, 0.0098 in
3	PJ7411183	3							Piston rings (kit)		0,50 mm, 0.0197 in
4	PJ7418421	3							Piston		STD
5	PJ7418422	3							Piston		0,25 mm, 0.0098 in
6	PJ7418423	3							Piston		0,50 mm, 0.0197 in

Date: 2013/11/28	Image id: 213NZ1	Catalogue: 10019	Model: EC20B XTV
Brand: Volvo	Serial: 80151-99999	Group/Section: 213/200	Title: Pistons L3E-W264ESA

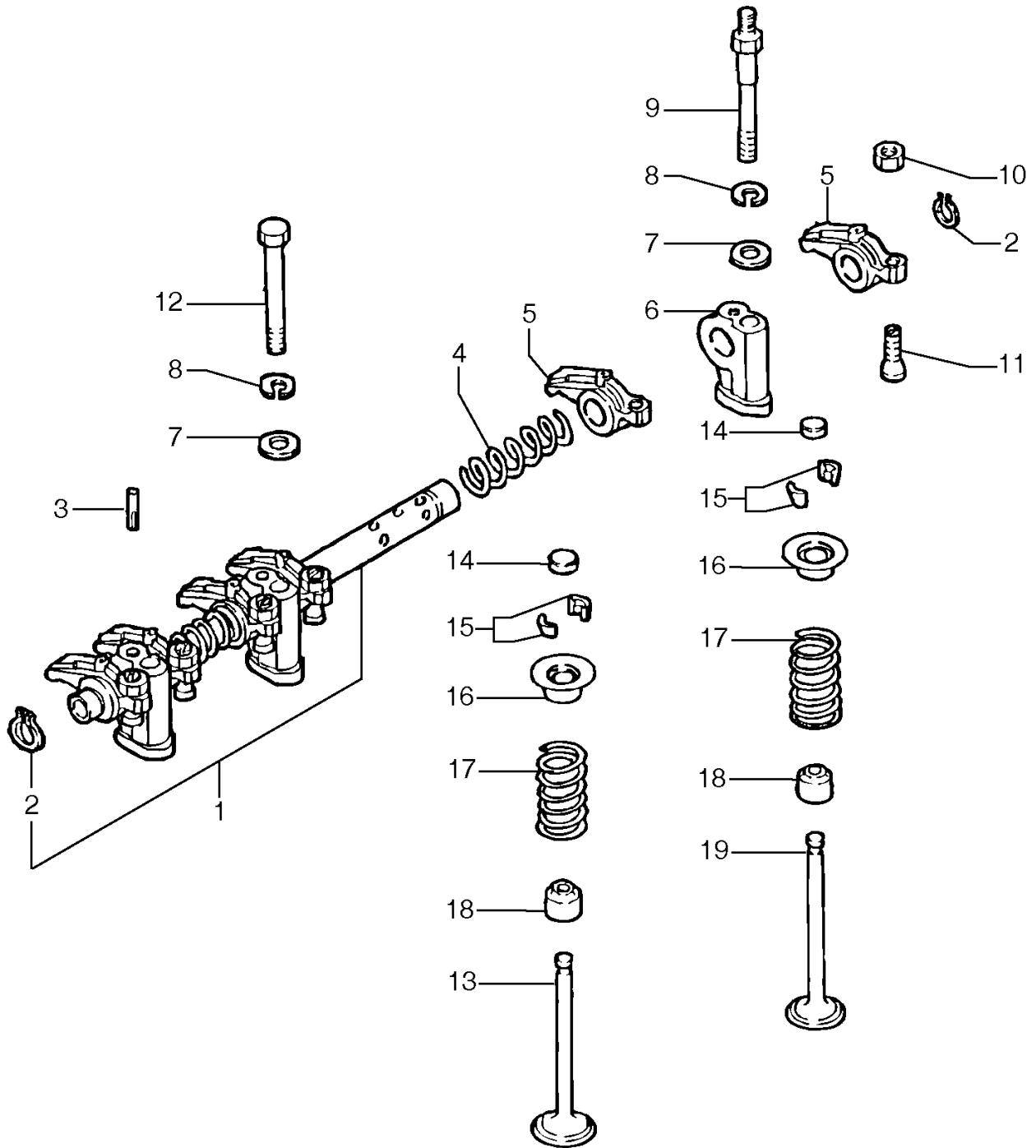


Q1-Q5	Option	Option description	
Q1.			

Q2.			
-----	--	--	--

Pos	Part	Q1	Q2	Q3	Q4	Q5	PS	Kit	Description	Option(s)	Remark
1	PJ7410666	3	3						Piston rings (kit)		STD
2	PJ7411182	3	3						Piston rings (kit)		0,25 mm, 0.0098 in
3	PJ7411183	3	3						Piston rings (kit)		0,50 mm, 0.0197 in
4	PJ7418424	3	3						Piston		STD
5	PJ7418425	3	3						Piston		0,25 mm, 0.0098 in
6	PJ7418426	3	3						Piston		0,50 mm, 0.0197 in

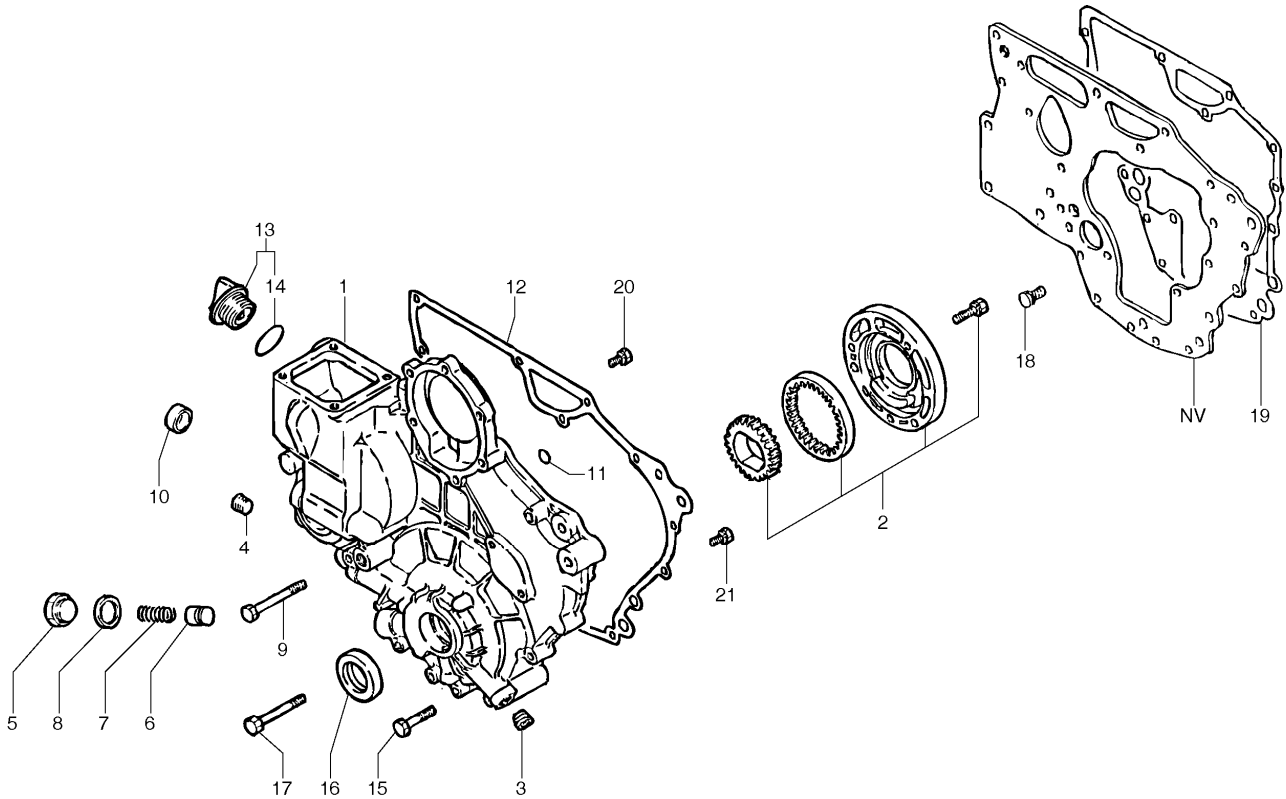
Date: 2013/11/28	Image id: 214Z1	Catalogue: 10019	Model: EC20B XTV
Brand: Volvo	Serial: 80151-99999	Group/Section: 214/100	Title: Rocker arm shaft



Q1-Q5	Option	Option description	
Q1 272.60151			
Q2 272.80151			

Pos	Part	Q1	Q2	Q3	Q4	Q5	PS	Kit	Description	Option(s)	Remark
1	PJ7418433	1	1						Rocker Arm Shaft		
2	PJ7410605	2	2						Snap Ring		
3	PJ7410622	1	1						Pin		
4	PJ7410612	2	2						Spring		
5	PJ7410657	6	6						Rocker Arm		
6	PJ7410613	3	3						Support		
7	PJ7410402	3	3						Washer		
8	PJ4470014	3	3						Lock Washer		
9	PJ7410669	2	2						Stud		
10	VOE983302	6	6						Hexagon nut		
11	PJ7410658	6	6						Screw		
12	PJ7411295	1	1						Screw		
13	PJ7410620	3	3						Inlet valve		
14	PJ7414924	6	6						Cap		
15	PJ7410056	12	12						Stop		
16	PJ7410655	6	6						Washer		
17	PJ7410638	6	6						Spring		
18	PJ7414430	6	6						Seal		
19	PJ7410621	3	3				SS		Exhaust Valve		

Date: 2013/11/28	Image id: 215Z1	Catalogue: 10019	Model: EC20B XTV
Brand: Volvo	Serial: 80151-99999	Group/Section: 215/100	Title: Timing gear casing

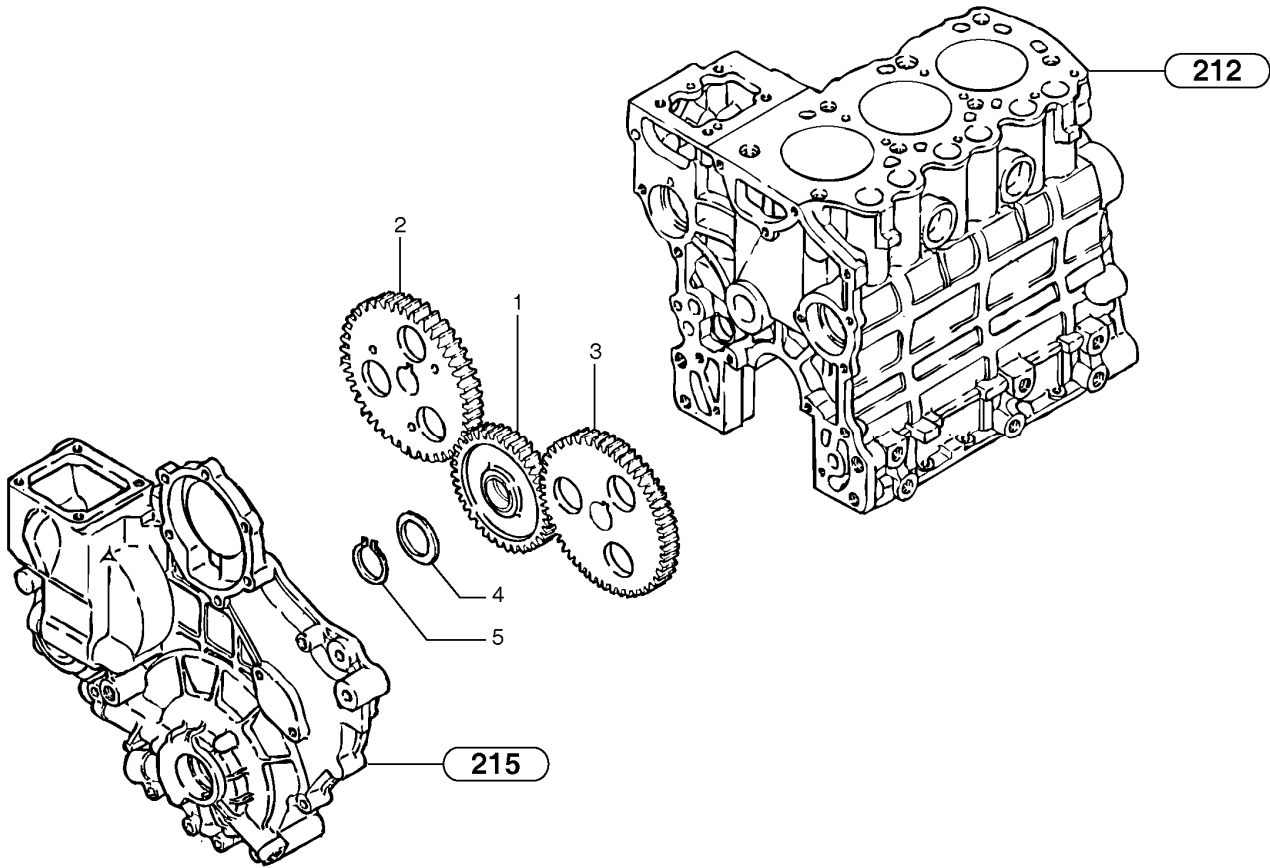


Q1-Q5	Option	Option description	
Q1 272.60151			
Q2 272.80151			

Pos	Part	Q1	Q2	Q3	Q4	Q5	PS	Kit	Description	Option(s)	Remark
1	PJ7415741	1	1						Oil Pan		
2		1	1						•Oil pump		See ref 221/100
3	PJ7410408	1	1						•Plug		
4	PJ7410691	1	1						•Plug		
5	PJ7410579	1	1						•Plug		
6	PJ7410047	1	1						•Plunger		
7	PJ7410659	1	1						•Spring		
8	PJ11715851	1	1						•Seal		
9	PJ7410594	1	1						Screw		
10	PJ7410627	1	1						Plug		
11	PJ7410603	2	2						O-ring		
12	PJ7418368	1	1						Seal		
13	VOE11716698	1	1						Oil Filler Cap		(PJ7410610)

14	VOE15018325	1	1						O-ring		
15	PJ7410592	3	3						Screw		
16	PJ7410580	1	1						Sealing		
17	PJ7410593	4	4						Screw		
18	PJ4380030	7	7						Screw		
19	PJ7418432	1	1						Seal		
20	PJ4380042	3	3						Screw		
21	PJ4380030	4	4						Screw		

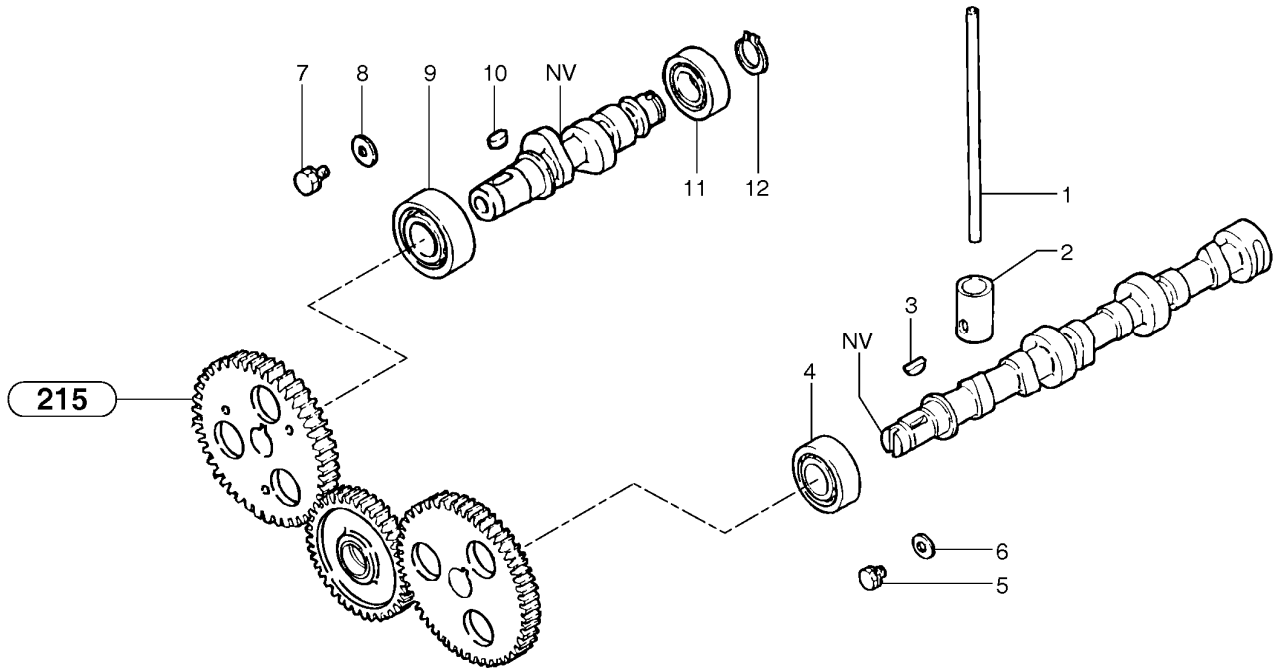
Date: 2013/11/28	Image id: 215AZ1	Catalogue: 10019	Model: EC20B XTV
Brand: Volvo	Serial: 80151-99999	Group/Section: 215/300	Title: Timing gears



Q1-Q5	Option	Option description	
Q1 272.60151			
Q2 272.80151			

Pos	Part	Q1	Q2	Q3	Q4	Q5	PS	Kit	Description	Option(s)	Remark
1	PJ7418429	1	1						Gear		
2	PJ7418430	1	1						Gear		
3	PJ7418428	1	1						Gear		
4	PJ7415183	1	1						Washer		
5	PJ7415178	1	1						Snap Ring		

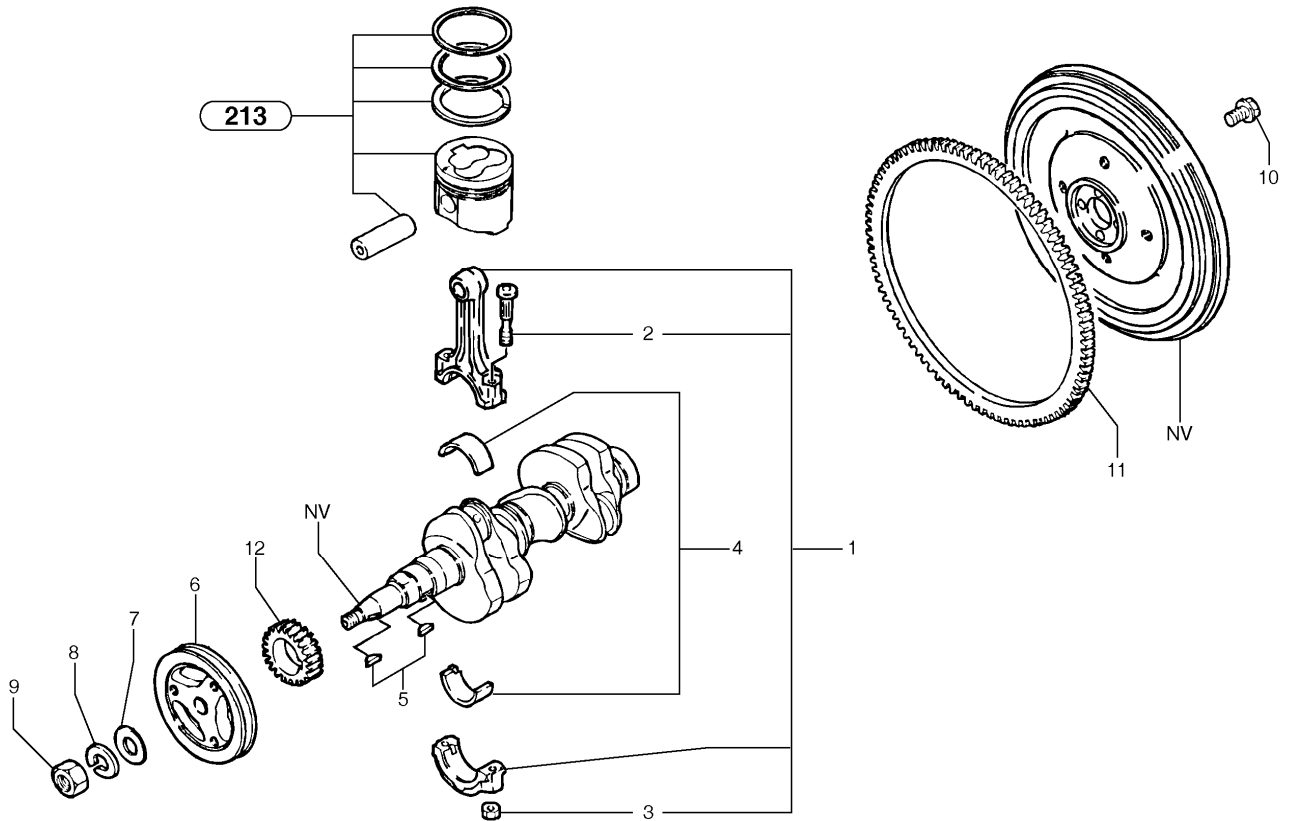
Date: 2013/11/28	Image id: 215BZ1	Catalogue: 10019	Model: EC20B XTV
Brand: Volvo	Serial: 80151-99999	Group/Section: 215/400	Title: Camshaft



Q1-Q5	Option	Option description	
Q1 272.60151			
Q2 272.80151			

Pos	Part	Q1	Q2	Q3	Q4	Q5	PS	Kit	Description	Option(s)	Remark
1	PJ7410656	6	6						Rod		
2	PJ7410651	6	6						Tappet		
3	PJ7410602	1	1						Key		
4	PJ7410617	1	1						Ball bearing		
5	PJ4380031	1	1						Screw		
6	PJ7410629	1	1						Washer		
7	PJ4380031	1	1						Screw		
8	PJ7410629	1	1						Washer		
9	PJ7410617	1	1						Ball bearing		
10	PJ7410131	1	1						Key		
11	PJ7410618	1	1						Ball bearing		
12	PJ7410606	1	1						Snap Ring		

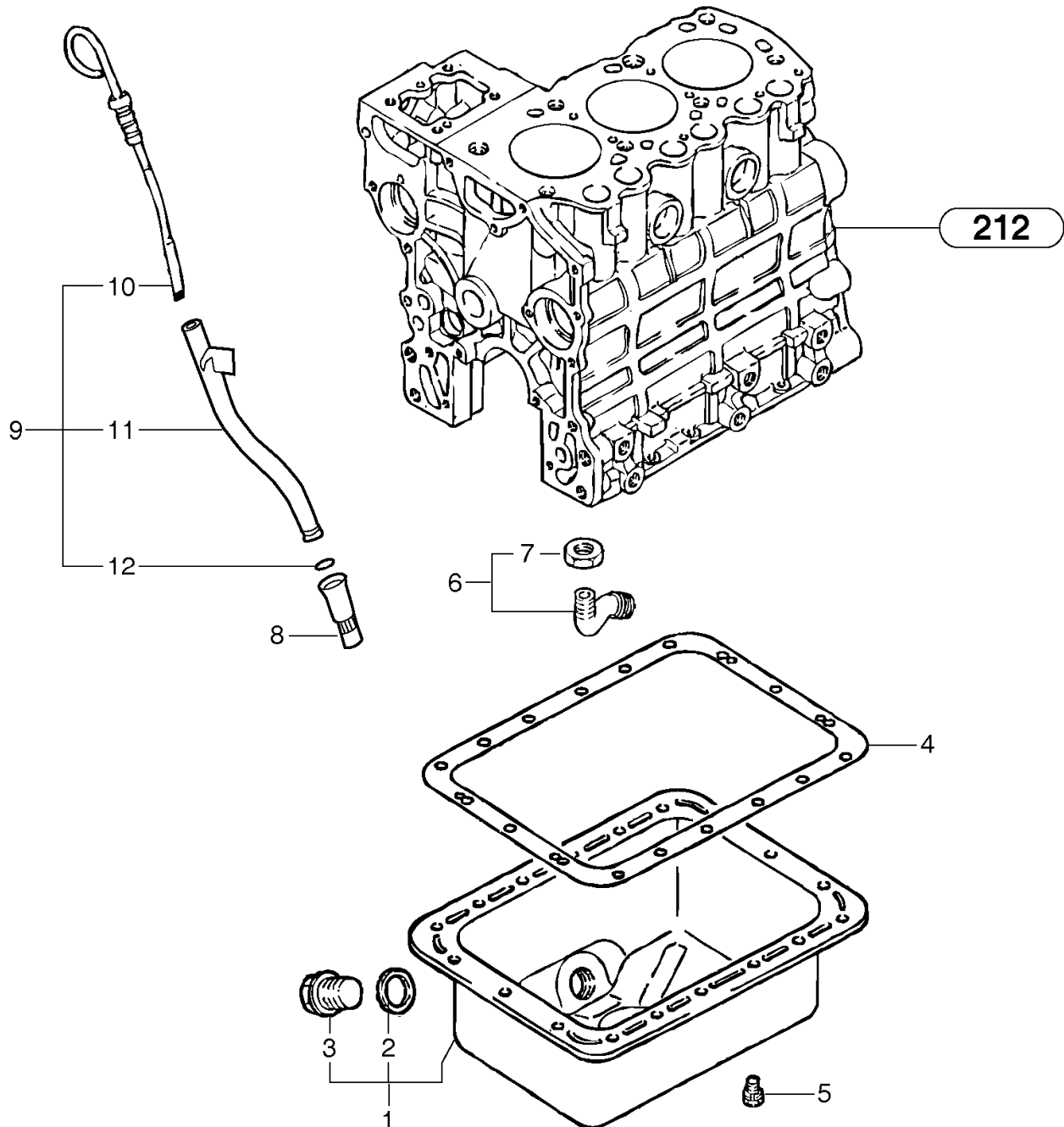
Date: 2013/11/28	Image id: 216Z1	Catalogue: 10019	Model: EC20B XTV
Brand: Volvo	Serial: 80151-99999	Group/Section: 216/100	Title: Connecting rods



Q1-Q5	Option	Option description	
Q1 272.60151			
Q2 272.80151			

Pos	Part	Q1	Q2	Q3	Q4	Q5	PS	Kit	Description	Option(s)	Remark
1	PJ7417045	3	3						Piston rod		
2	PJ7410578	6	6						•Screw		
3	PJ7410045	6	6						•Nut		
4	VOE11716691	3	3						Connecting Rod		(PJ7413017)STD
4	VOE11716692	3	3						Connecting Rod		(PJ7413018)0,25 mm, 0.0098 in
4	PJ7411185	3	3						Bearings (kit)		0,50 mm, 0.0197 in
5	PJ7410602	2	2						Key		
6	PJ7415745	1	1						Pulley		
7	PJ7410600	1	1						Washer		
8	PJ7410601	1	1						Lock Washer		
9	PJ7410598	1	1						Nut		
10	PJ4300026	4	4						Screw		

Date: 2013/11/28	Image id: 217Z1	Catalogue: 10019	Model: EC20B XTV
Brand: Volvo	Serial: 80151-99999	Group/Section: 217/100	Title: Lubrication oil sump

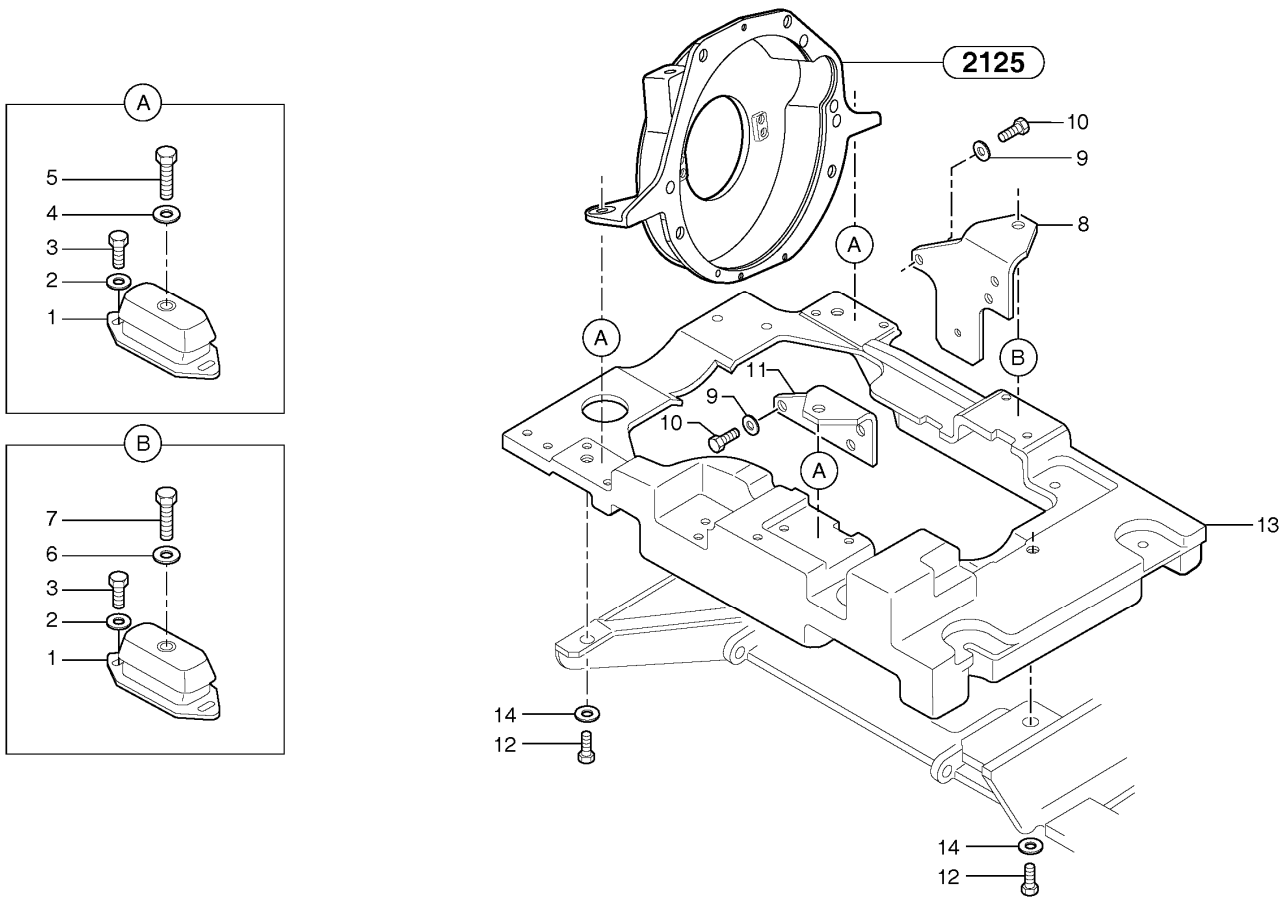


Q1-Q5	Option	Option description	
Q1	272.60151		
Q2	272.80151		

Pos	Part	Q1	Q2	Q3	Q4	Q5	PS	Kit	Description	Option(s)	Remark
-----	------	----	----	----	----	----	----	-----	-------------	-----------	--------

1	PJ7413163	1	1						Oil pan		
2	VOE11715851	1	1						•Sealing		(PJ7410040)
3	PJ7410041	1	1						•Plug		
4	PJ7418431	1	1						Seal		
5	PJ4380031	18	18						Screw		
6	PJ7413011	1	1						Strainer		
7	PJ7410727	1	1						•Nut		
8	PJ7411338	1	1						Giude		
9	PJ7417046	1	1				NS		Dipstick		
10	PJ7416846	1	1						•Dipstick		
11	PJ7417087	1	1						•Giude		
12	PJ4040050	1	1						•O-ring		

Date: 2013/11/28	Image id: 218Z2	Catalogue: 10019	Model: EC20B XTV
Brand: Volvo	Serial: 80151-99999	Group/Section: 218/100	Title: Engine mounts

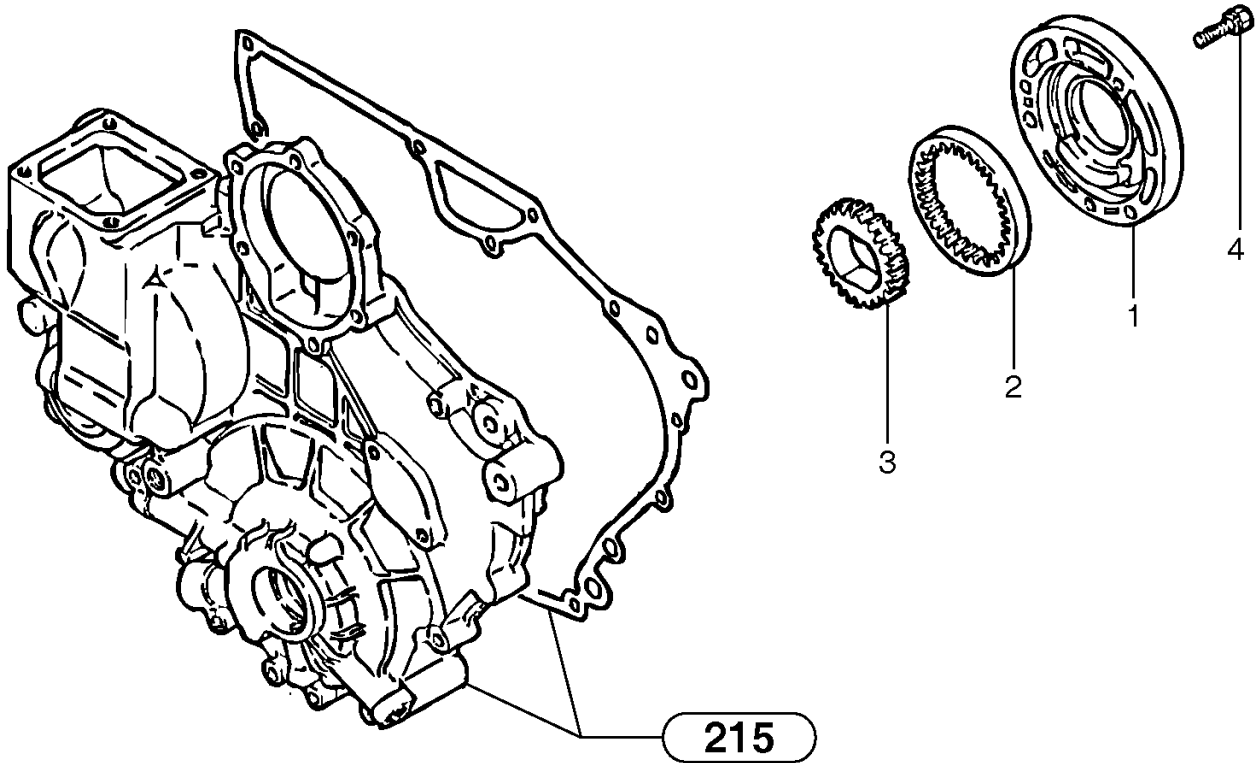


Q1-Q5	Option	Option description	
Q1 272.60151			
Q2 272.80151			

Pos	Part	Q1	Q2	Q3	Q4	Q5	PS	Kit	Description	Option(s)	Remark
1	VOE11802279	4	4						Bump rubber		(PJ5140405)
2	VOE960148	8	8						Washer		10.5x22x2
3	VOE967634	8	8						Hex. socket screw		CHC M10x20
4	VOE955897	3	3						Washer		13x24x2
5	VOE978932	3	3						Hexagon screw		M12x30
6	VOE13930908	1	1						Washer		13x27x4
7	VOE978933	1	1						Hexagon screw		H M12x40
8	PJ3560630	1	1						Engine Bracket		
9	VOE960148	6	6						Washer		10.5x22x2
10	PJ4370015	6	6						Screw		HM10X25
11	PJ3560339	1	1						Support		

12	VOE978932	3	3						Hexagon screw		M12x30
13	VOE11805723	1	1						Cradle		(PJ5610023)
14	VOE955897	3	3						Washer		13x24x2

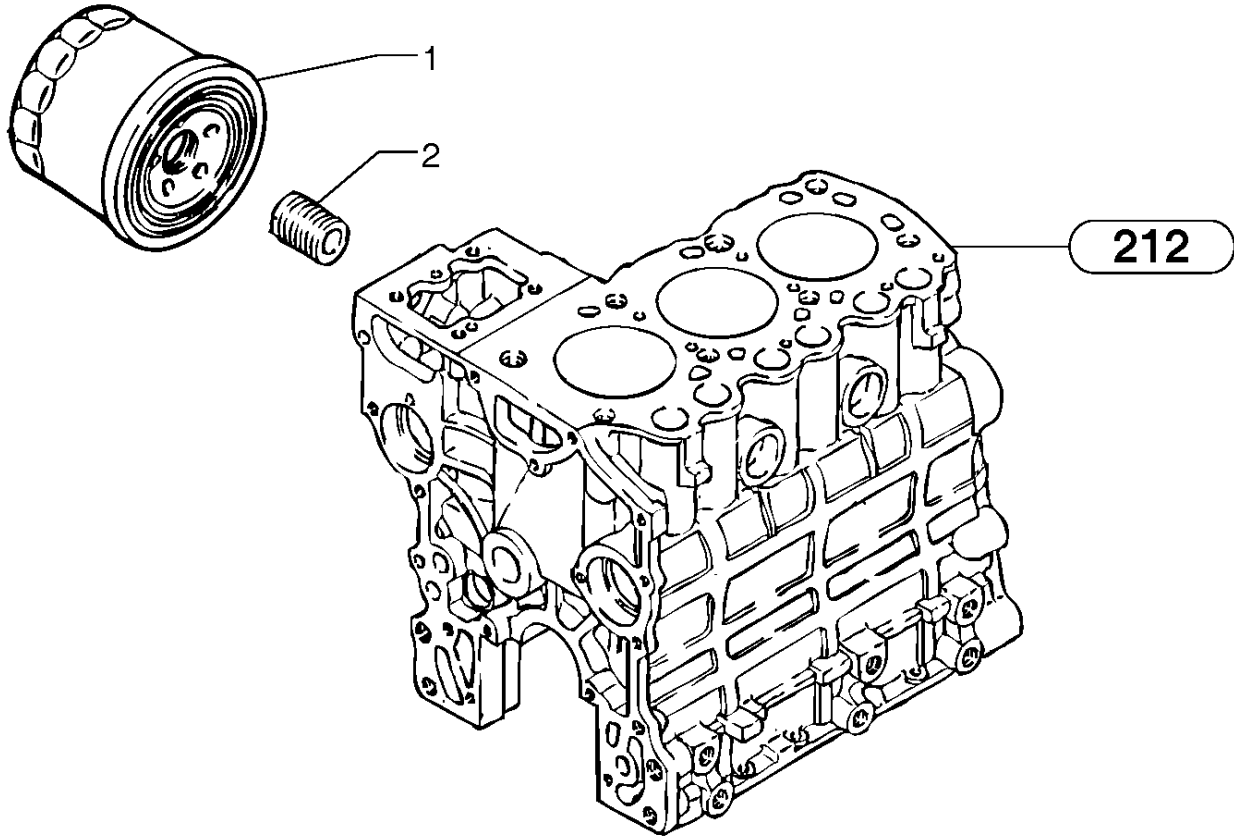
Date: 2013/11/28	Image id: 221Z1	Catalogue: 10019	Model: EC20B XTV
Brand: Volvo	Serial: 80151-99999	Group/Section: 221/100	Title: Lubricating oil pump



Q1-Q5	Option	Option description	
Q1 272.60151			
Q2 272.80151			

Pos	Part	Q1	Q2	Q3	Q4	Q5	PS	Kit	Description	Option(s)	Remark
1	PJ7410671	1	1						Oil pump housing		
2	PJ7410582	1	1						Crown Wheel		
3	PJ7410581	1	1						Pinion		
4	PJ4380034	3	3						Screw		

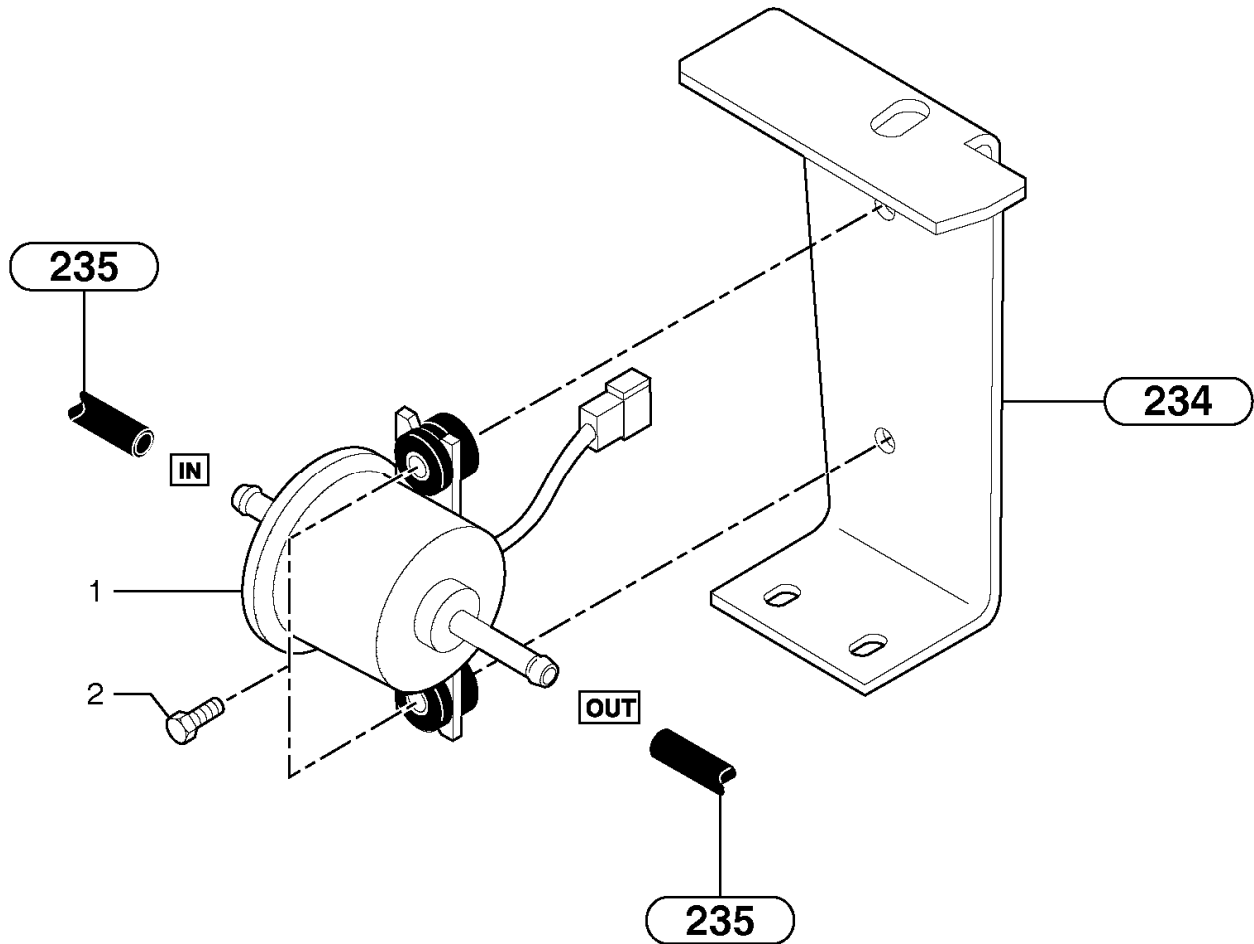
Date: 2013/11/28	Image id: 222Z1	Catalogue: 10019	Model: EC20B XTV
Brand: Volvo	Serial: 80151-99999	Group/Section: 222/100	Title: Oil filter



Q1-Q5	Option	Option description	
Q1 272.60151			
Q2 272.80151			

Pos	Part	Q1	Q2	Q3	Q4	Q5	PS	Kit	Description	Option(s)	Remark
1	VOE11715849	1	1						Oil filter		(PJ7410062)
2	PJ7417040	1	1						Stub Axle		

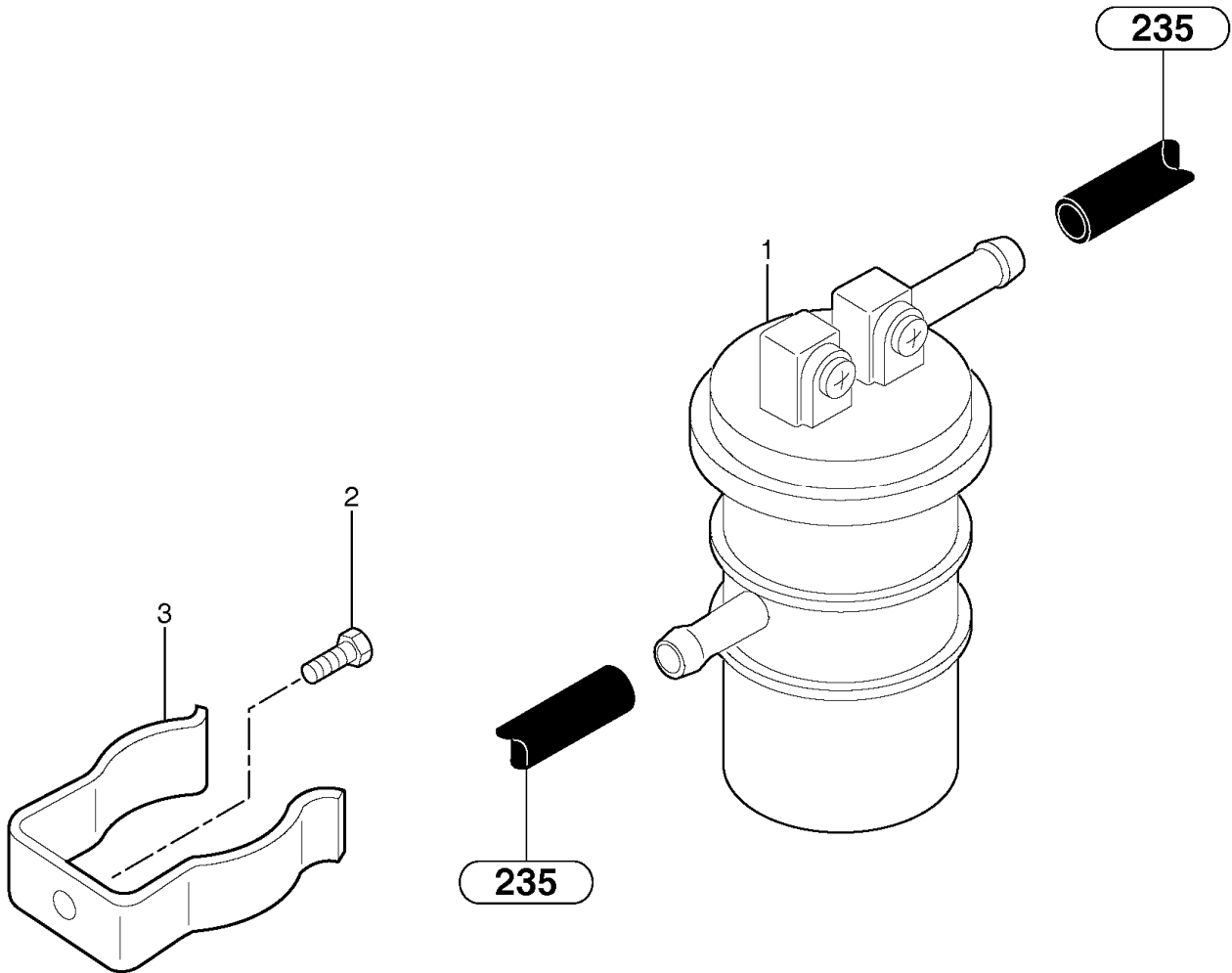
Date: 2013/11/28	Image id: 2331Z1	Catalogue: 10019	Model: EC20B XTV
Brand: Volvo	Serial: 80151-99999	Group/Section: 233/100	Title: Fuel pump



Q1-Q5	Option	Option description	
Q1 272.60151			
Q2 272.80151			

Pos	Part	Q1	Q2	Q3	Q4	Q5	PS	Kit	Description	Option(s)	Remark
1	VOE11802736	1	1				SS		Pump		(PJ5350139)
2	VOE946934	2	2						Flange screw		M6x20

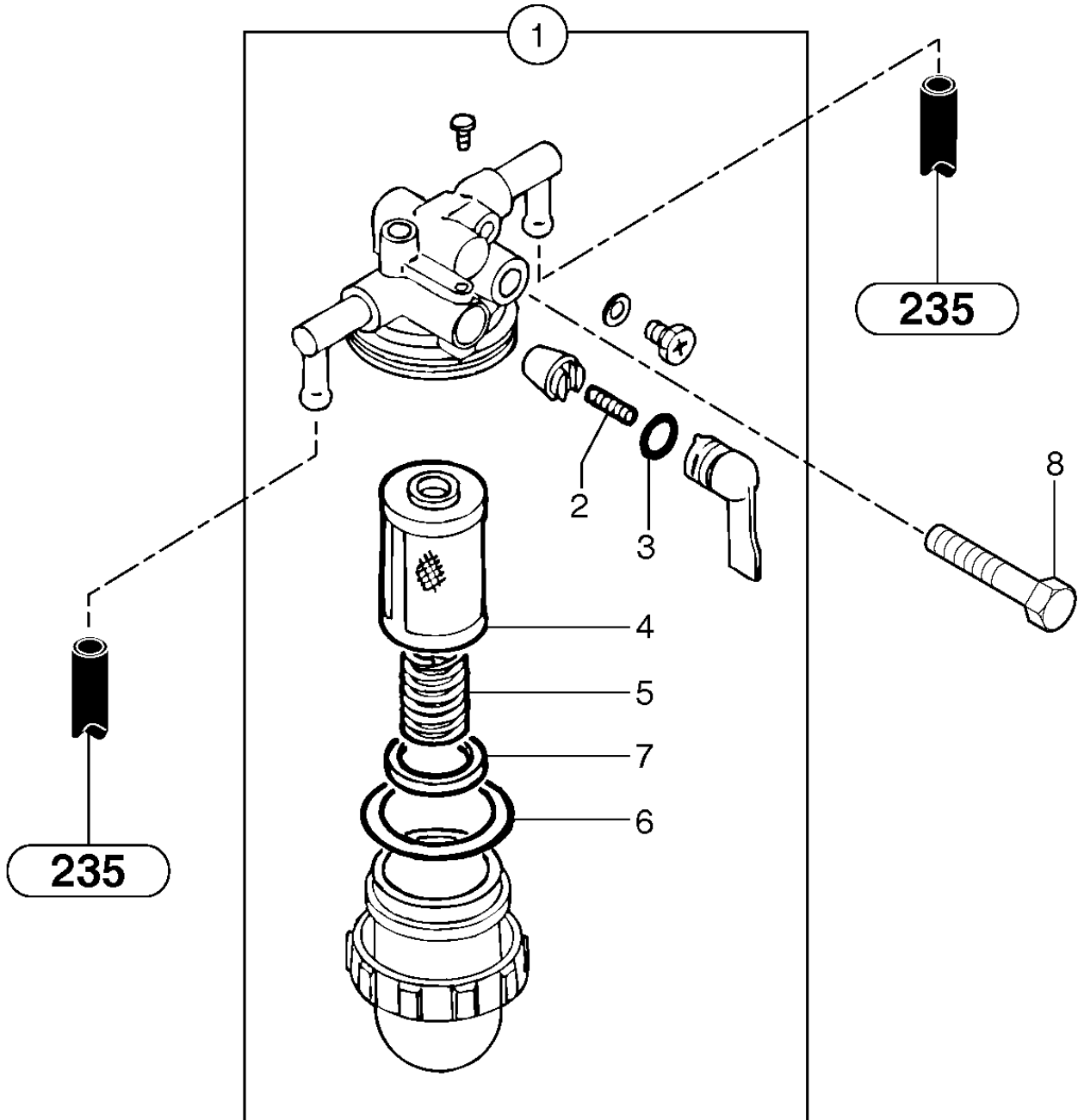
Date: 2013/11/28	Image id: 2334Z1	Catalogue: 10019	Model: EC20B XTV
Brand: Volvo	Serial: 80151-99999	Group/Section: 233/400	Title: Fuel filter



Q1-Q5	Option	Option description	
Q1 272.60151			
Q2 272.80151			

Pos	Part	Q1	Q2	Q3	Q4	Q5	PS	Kit	Description	Option(s)	Remark
1	PJ7410170	1	1						Fuel filter		
2	VOE965175	1	1						Flange screw		H M6x12
3	PJ7410171	1	1						Flange		

Date: 2013/11/28	Image id: 23341Z1	Catalogue: 10019	Model: EC20B XTV
Brand: Volvo	Serial: 80151-99999	Group/Section: 233/500	Title: Sediment bowl



Q1-Q5	Option	Option description	
Q1	272.60151		
Q2	272.80151		

Pos	Part	Q1	Q2	Q3	Q4	Q5	PS	Kit	Description	Option(s)	Remark
-----	------	----	----	----	----	----	----	-----	-------------	-----------	--------



Suggest:

For more complete manuals. Please go to the home page.

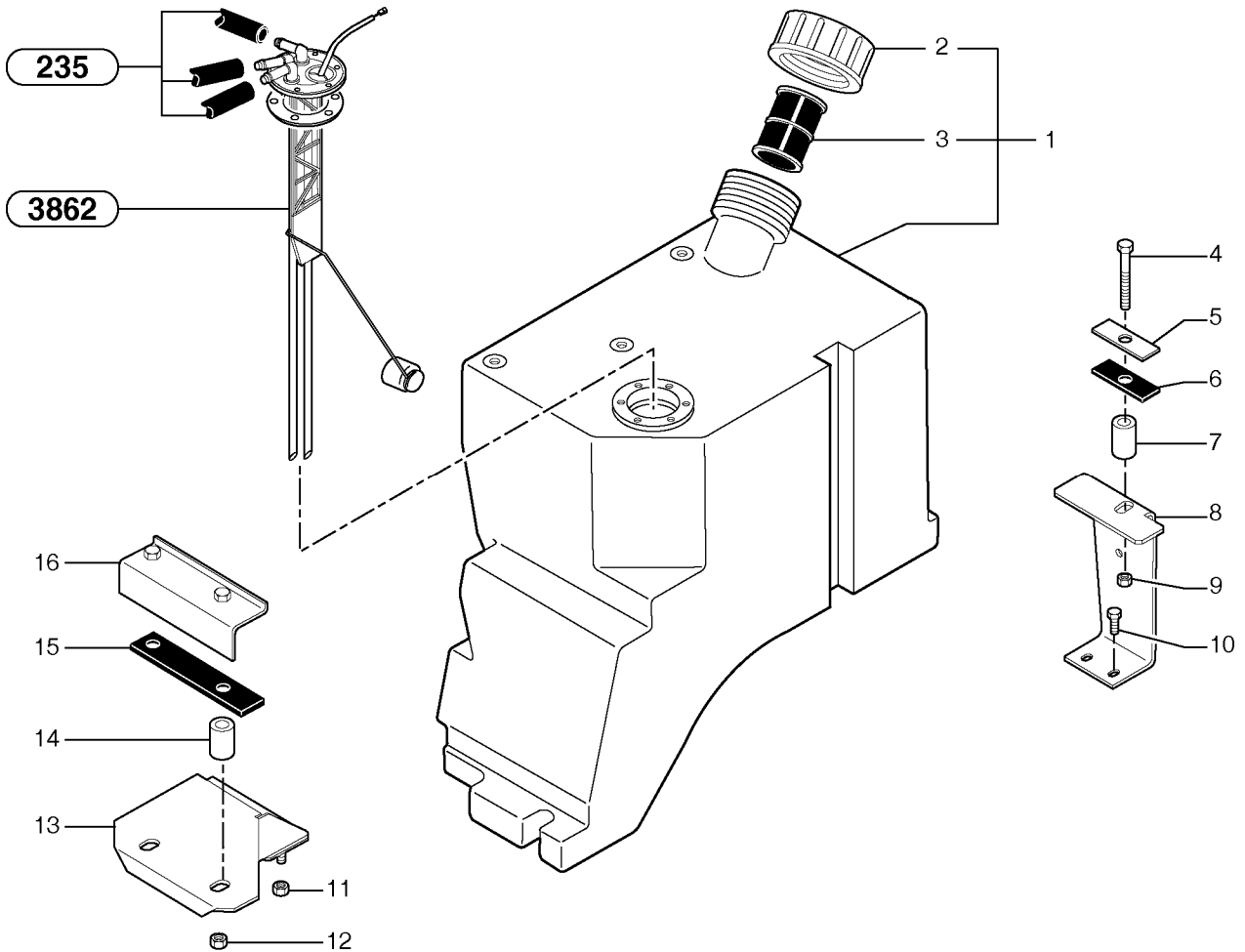
<https://www.ebooklibonline.com>

If the above button click is invalid. Please download this document first, and then click the above link to download the complete manual.

Thank you so much for reading

1	PJ6050073	1	1						Sediment bowl		
2	PJ7412905	1	1						•Spring		
3	PJ7412906	1	1						•O-ring		
4	VOE11715846	1	1						•Fuel filter insert		(PJ7412921)
5	PJ7412922	1	1						•Spring		
6	VOE11715870	1	1						•O-ring		(PJ7412907)
7	PJ7418261	1	1						•Float		
8	VOE13965180	1	1						Screw		H M8x60

Date: 2013/11/28	Image id: 234Z1	Catalogue: 10019	Model: EC20B XTV
Brand: Volvo	Serial: 80151-99999	Group/Section: 234/100	Title: Gas-oil tank



Q1-Q5	Option	Option description	
Q1 272.60151			
Q2 272.80151			

Pos	Part	Q1	Q2	Q3	Q4	Q5	PS	Kit	Description	Option(s)	Remark
1	VOE11806435	1	1						Tank		(PJ5020107)
2	VOE11806345	1	1						•Plug		(PJ4740223)
3	PJ6050081	1	1						•Strainer		
4	VOE965187	1	1						Flange screw		M10x60
5	VOE11804910	1	1						Flange		(PJ3270237)
6	VOE11806233	1	1						Spacer		(PJ5140308)
7	VOE11805769	1	1						Pipe		(PJ3920079)
8	VOE11805305	1	1						Support		(PJ3600147)

<https://www.ebooklibonline.com>

Hello dear friend!

Thank you very much for reading.

Enter the link into your browser.

The full manual is available for immediate download.

<https://www.ebooklibonline.com>