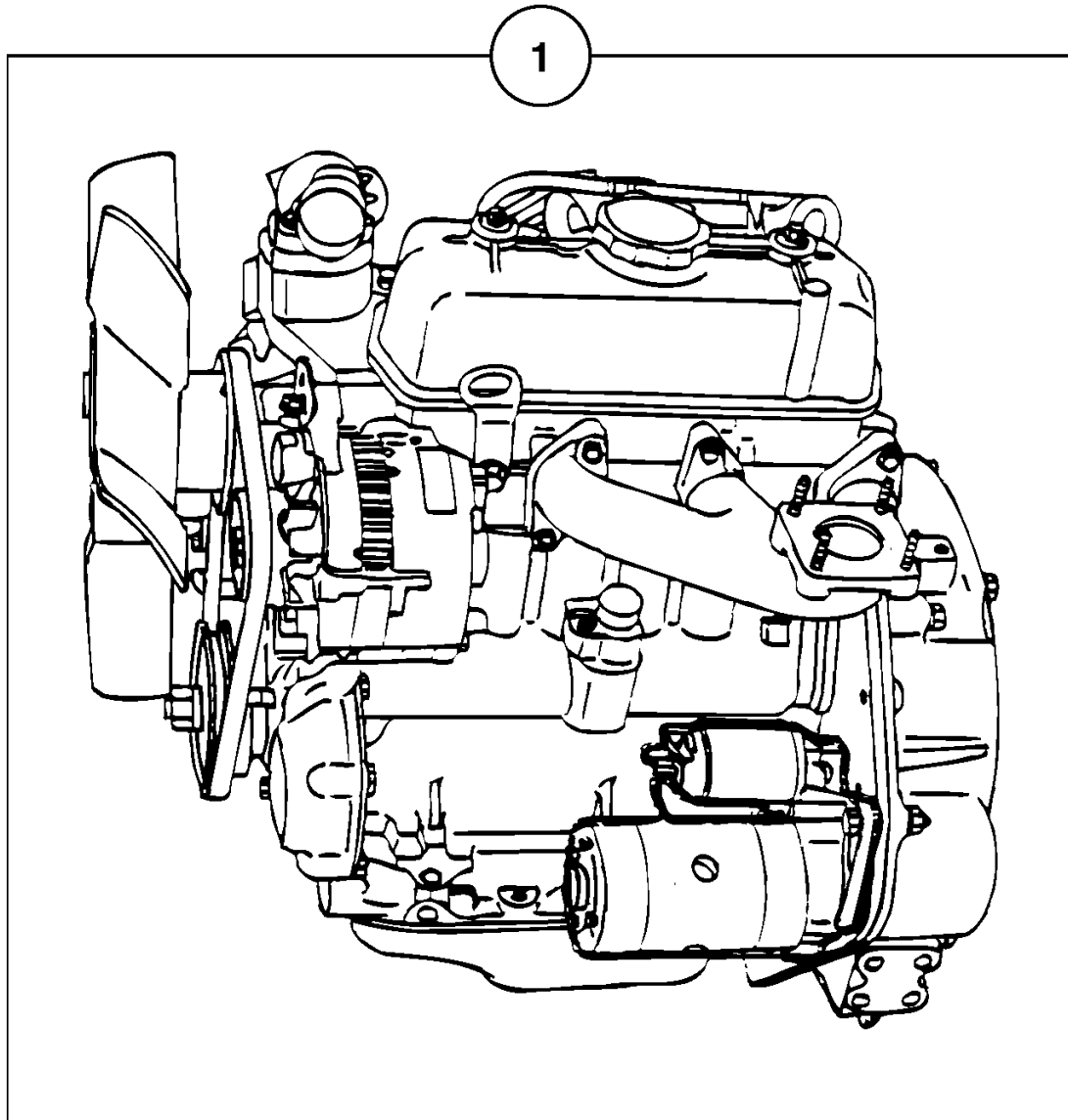


Date: 2013/11/23	Image id: A01Q1	Catalogue: 10001	Model: EC14
Brand: Volvo	Serial: 10151-21500, 21501-99999	Group/Section: 210/100	Title: Diesel engine



Volvo Construction
Equipment

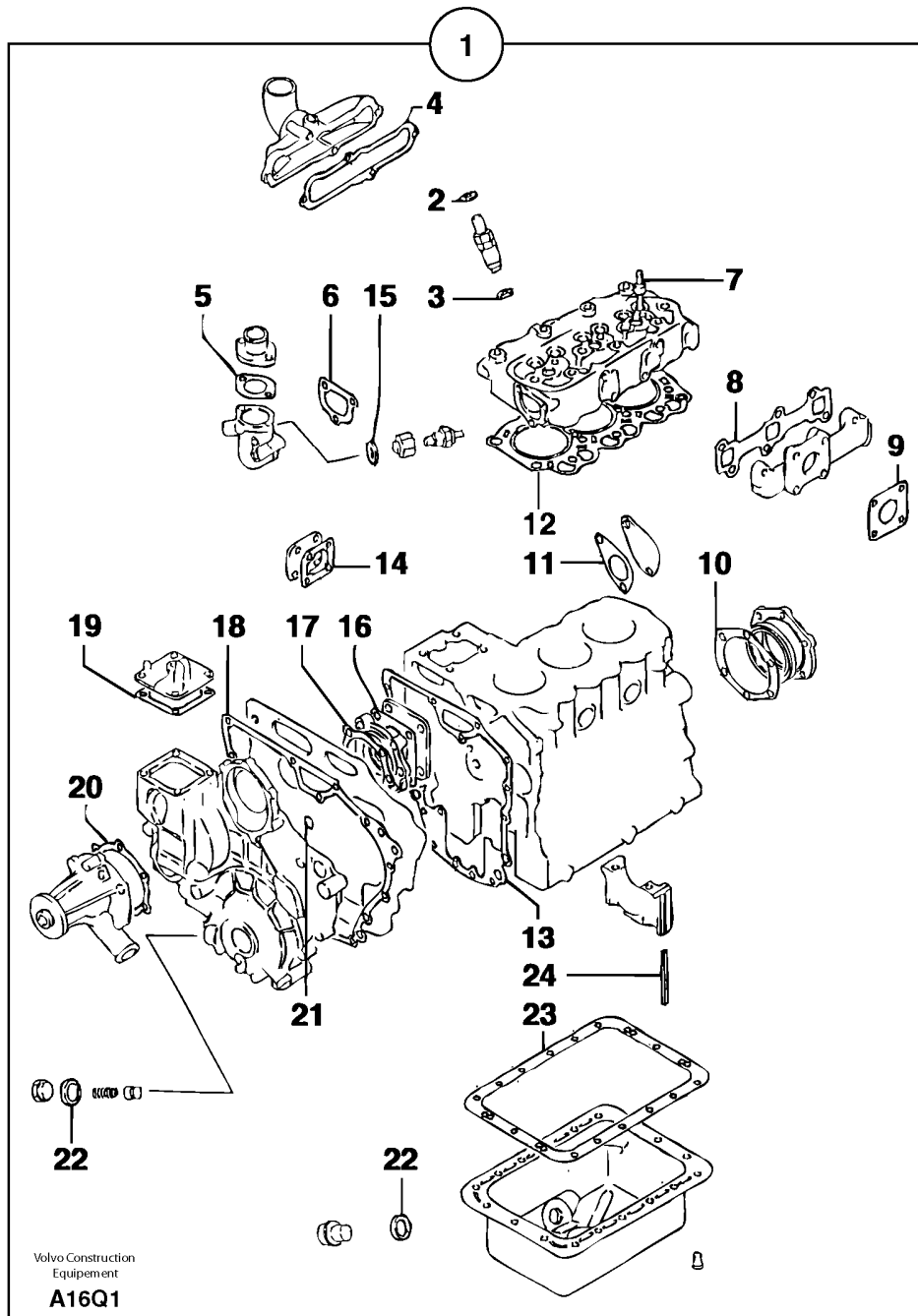
A01Q1

Q1-Q5	Option	Option description	
Q1	246.21501		
Q2	271.10151		

Pos	Part	Q1	Q2	Q3	Q4	Q5	PS	Kit	Description	Option(s)	Remark
-----	------	----	----	----	----	----	----	-----	-------------	-----------	--------

1	PJ7415627	1	1				SS		Engine, cpl.		
---	-----------	---	---	--	--	--	----	--	--------------	--	--

Date: 2013/11/23	Image id: A16Q1	Catalogue: 10001	Model: EC14
Brand: Volvo	Serial: 10151-21500, 21501-99999	Group/Section: 210/300	Title: Engine gasket kit



Q1-Q5	Option	Option description	
-------	--------	--------------------	--

<https://www.ebooklibonline.com>

Hello dear friend!

Thank you very much for reading.

Enter the link into your browser.

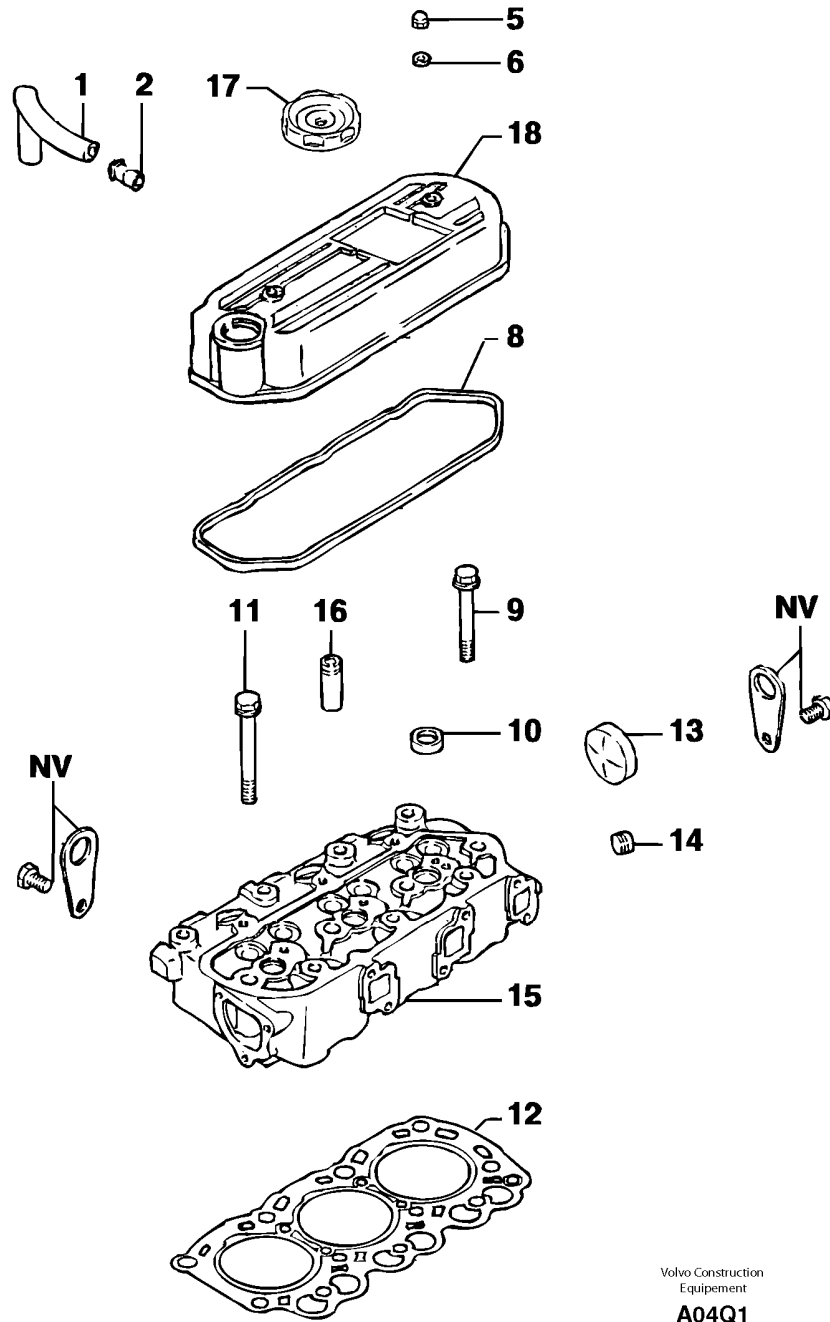
The full manual is available for immediate download.

<https://www.ebooklibonline.com>

Q1 246.21501			
Q2 271.10151			

Pos	Part	Q1	Q2	Q3	Q4	Q5	PS	Kit	Description	Option(s)	Remark
1	PJ7418513	1	1						Seal kit		(PJ7412985)
2	PJ7410717	3	3						•Seal		
3	PJ7410718	3	3						•Seal		
4	PJ7412891	1	1						•Gasket		
5	PJ7410755	1	1						•Seal		
6	PJ7418369	1	1						•Seal		(PJ7410772)
7	PJ7410057	6	6				SS		•Seal		
8	PJ7412890	1	1						•Seal		
9	PJ7410238	1	1						•Seal		
10	PJ7410626	1	1						•Seal		
11	PJ7410640	1	1				SS		•Seal		
12	PJ7415738	1	1						•Cyl Head Gasket		
13	PJ7410646	1	1						•Seal		
14	PJ7410767	1	1						•Seal		
15	PJ7410731	1	1						•Sealing ring		
16	PJ7410177	1	1						•Seal		
17	PJ7410636	1	1						•Seal		
18	PJ7418368	1	1						•Seal		(PJ7410652)
19	PJ7410783	1	1				SS		•Seal		
20	PJ7410756	1	1						•Seal		
21	PJ7410603	2	2						•O-ring		
22	VOE11715851	2	2						•Sealing		(PJ7410040)
23	PJ7418431	1	1						•Seal		(PJ7412984)
24	PJ7410625	4	4						•Seal		

Date: 2013/11/23	Image id: A04Q1	Catalogue: 10001	Model: EC14
Brand: Volvo	Serial: 10151-21500, 21501-99999	Group/Section: 211/100	Title: Cylinder head

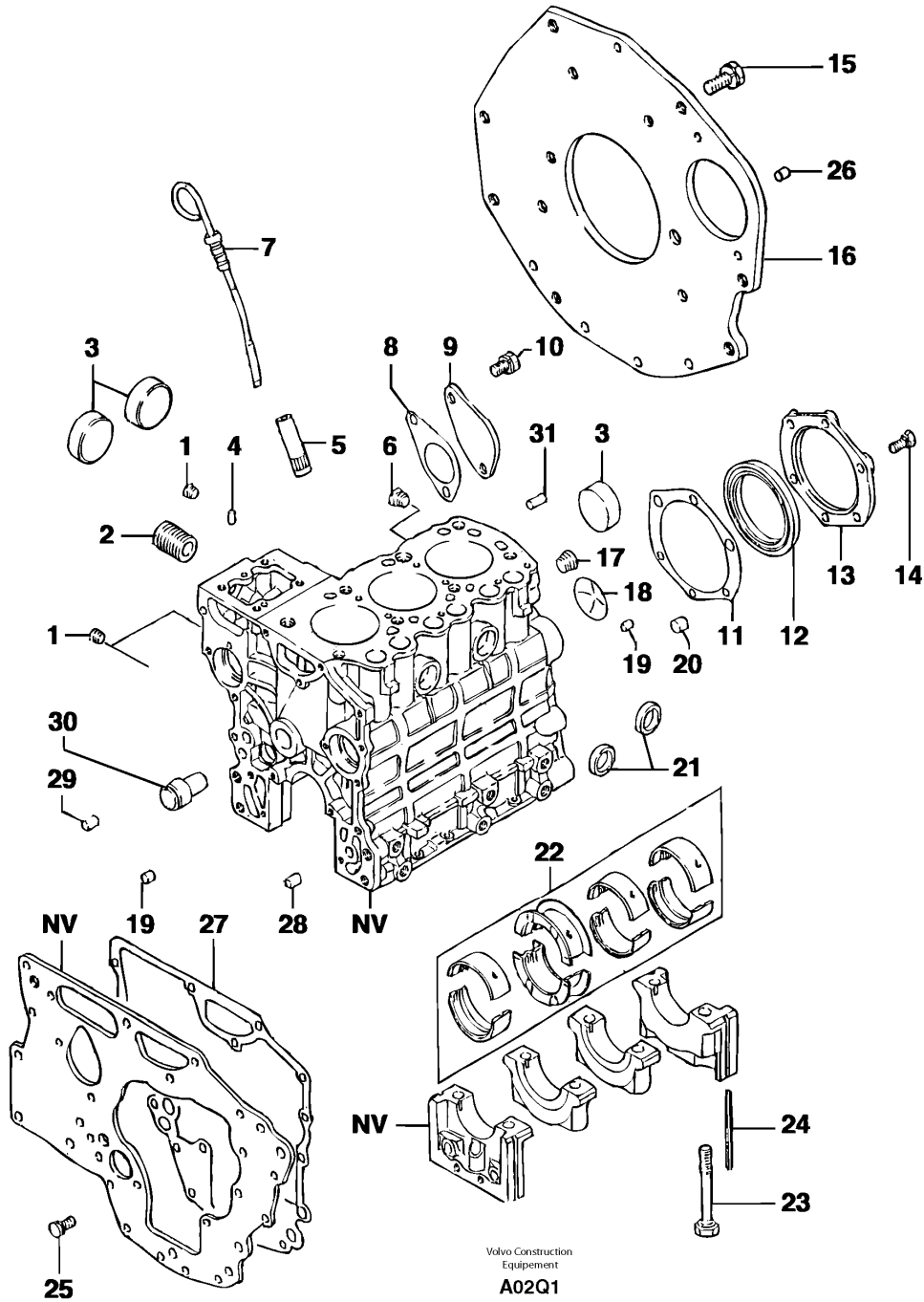


Q1-Q5	Option	Option description	
-------	--------	--------------------	--

Q1 246.21501			
Q2 271.10151			

Pos	Part	Q1	Q2	Q3	Q4	Q5	PS	Kit	Description	Option(s)	Remark
1	PJ7410665	1	1						Tube		
2	PJ7410034	1	1						Nipple		
5	PJ7410599	2	2						Nut		
6	PJ7410123	2	2				SS		Washer		
8	PJ7412914	1	1						Seal		
9	PJ7410587	3	3						Bolt		
10	PJ7410609	3	3						Sealing		INCL IN 15
11	PJ7410619	8	8				SS		Bolt		
12	PJ7415738	1	1						Cyl Head Gasket		
13	PJ7410577	1	1						Plug		INCL IN 15
14	PJ7410691	1	1						Plug		
15	PJ7415180	1	1				SS		Cylinder head		
16	PJ7410611	6	6						•Giude		
17	VOE11712227	1	1						Cap		(PJ7414925)
18	PJ7414919	1	1						Cover		

Date: 2013/11/23	Image id: A02Q1	Catalogue: 10001	Model: EC14
Brand: Volvo	Serial: 10151-21500, 21501-99999	Group/Section: 212/100	Title: Cylinder block

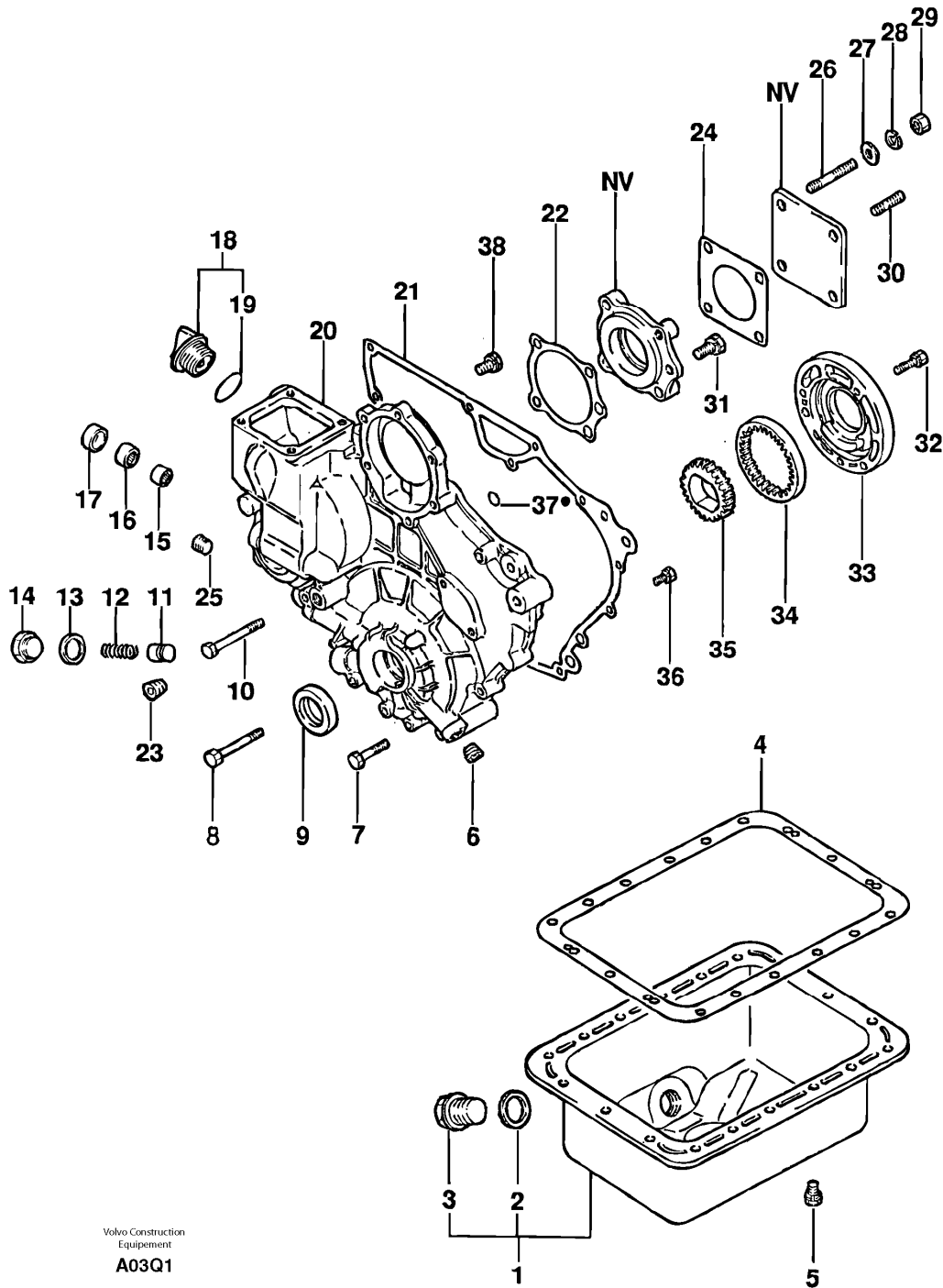


Q1-Q5	Option	Option description	

Q1 246.21501			
Q2 271.10151			

Pos	Part	Q1	Q2	Q3	Q4	Q5	PS	Kit	Description	Option(s)	Remark
1	PJ7410584	3	3				SS		Plug		
2	PJ7410576	1	1						Stub Axle		
3	PJ7410577	3	3						Plug		
4	PJ7410287	2	2						Centraliser		
5	PJ7410315	1	1				SS		Giude		
6	PJ7410039	1	1						Plug		
7	PJ7410648	1	1						Dipstick		
8	PJ7410640	1	1				SS		Seal		
9	PJ7410639	1	1				OP		Plate		
10	PJ7410097	2	2				SS		Screw		
11	PJ7410626	1	1						Seal		
12	PJ7410585	1	1						Seal		
13	PJ7410615	1	1						Flange		
14	PJ7410591	6	6				SS		Screw		
15	PJ7410108	6	6				SS		Screw		
16	PJ7410672	1	1				OP		Plate		
17	PJ7410692	1	1						Plug		
18	PJ7410608	1	1						Plug		
19	PJ7410688	2	2						Bushing		
20	PJ7410690	3	3						Bushing		
21	PJ7410144	2	2						Plug		
22	PJ7413155	1	1						Bearings (kit)		STD SZ
22	PJ7413156	1	1						Bearings (kit)		0,25mm/0.0098in
22	PJ7413157	1	1						Bearings (kit)		0,50mm/0.0197in
23	PJ7410583	8	8						Bolt		
24	PJ7410625	4	4						Seal		
25	PJ7410101	7	7				SS		Screw		
26	PJ7412990	1	1						Centraliser		
27	PJ7410646	1	1						Seal		
28	PJ7410689	1	1						Bushing		
29	PJ7410404	2	2						Bushing		
30	PJ7415739	1	1						Shaft		
31	PJ7410129	1	1						Centraliser		

Date: 2013/11/23	Image id: A03Q1	Catalogue: 10001	Model: EC14
Brand: Volvo	Serial: 10151-21500, 21501-99999	Group/Section: 215/100	Title: Timing gear casing



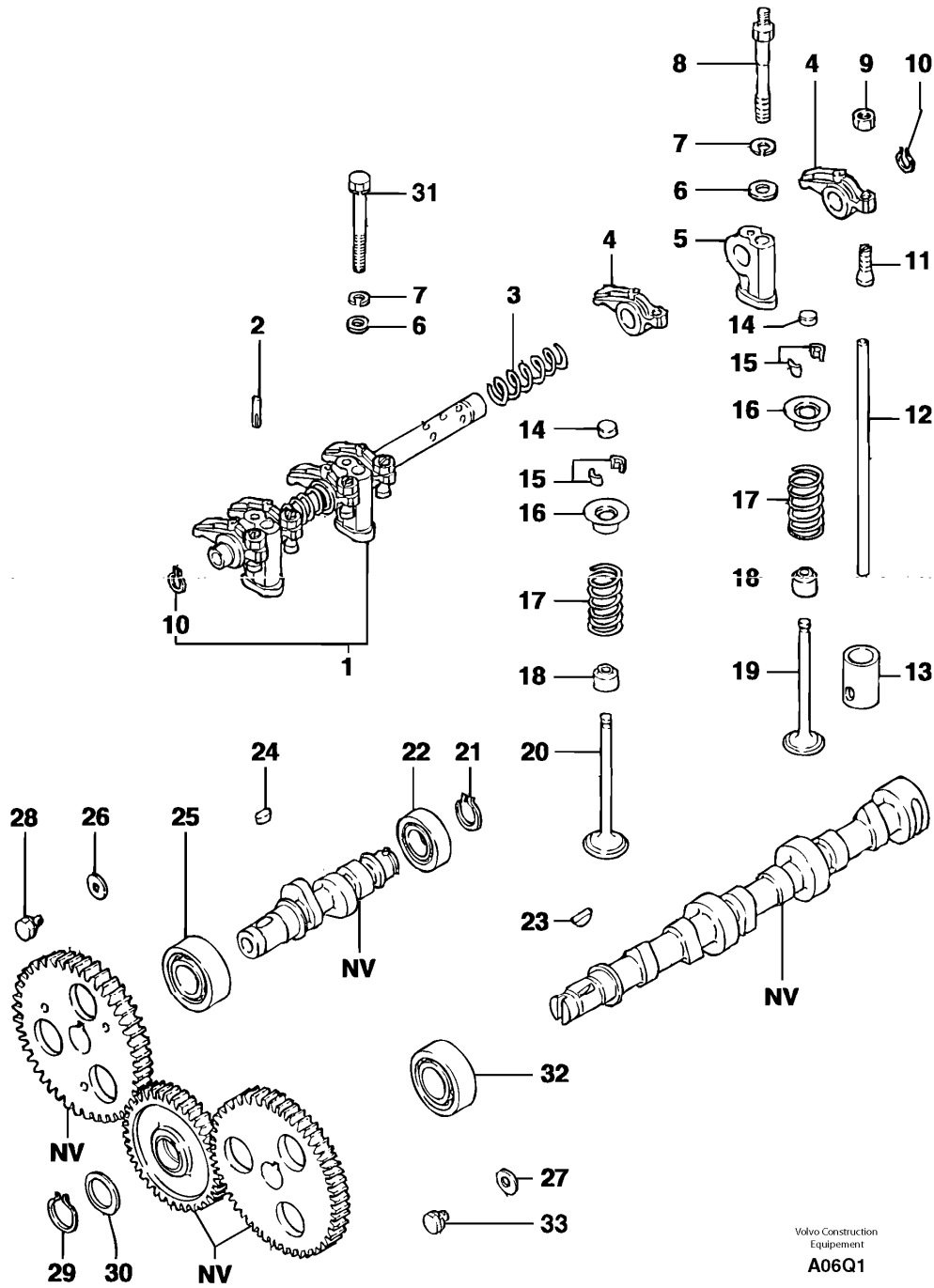
Volvo Construction
Equipment
A03Q1

Q1-Q5	Option	Option description
-------	--------	--------------------

Q1 246.21501			
Q2 271.10151			

Pos	Part	Q1	Q2	Q3	Q4	Q5	PS	Kit	Description	Option(s)	Remark
1	PJ7413163	1	1						Oil pan		
2	VOE11715851	1	1						•Sealing		(PJ7410040)
3	PJ7410041	1	1						•Plug		
4	PJ7418431	1	1						Seal		(PJ7412984)
5	PJ7410100	18	18				SS		Screw		
6	PJ7410408	1	1						Plug		
7	PJ7410592	3	3						Screw		
8	PJ7410593	4	4						Screw		
9	PJ7410580	1	1						Sealing		
10	PJ7410594	1	1						Screw		
11	PJ7410047	1	1						Plunger		
12	PJ7410659	1	1						Spring		
13	VOE11715851	1	1						Sealing		(PJ7410040)
14	PJ7410579	1	1						Plug		
15	PJ7410623	1	1						Needle bearing		
16	PJ7410624	1	1						Needle bearing		
17	PJ7410627	1	1						Plug		
18	VOE11716698	1	1						Oil Filler Cap		(PJ7410610)
19	PJ7410604	1	1				SS		•O-ring		
20	PJ7415741	1	1						Oil Pan		
21	PJ7418368	1	1						Seal		(PJ7410652)
22	PJ7410636	1	1						Seal		
23	PJ7410407	1	1				SS		Plug		
24	PJ7410177	1	1						Seal		
25	PJ7410691	1	1						Plug		
26	PJ7410401	3	3						Stud		
27	PJ7410124	4	4						Washer		
28	PJ7410126	4	4				SS		Lock Washer		
29	PJ7410117	4	4				SS		Nut		
30	PJ7410115	1	1						Stud		
31	PJ7410102	1	1				SS		Screw		
32	PJ7410506	3	3				SS		Screw		
33	PJ7410671	1	1						Oil pump housing		
34	PJ7410582	1	1						Crown Wheel		
35	PJ7410581	1	1						Pinion		
36	PJ7410101	4	4				SS		Screw		
37	PJ7410603	2	2						O-ring		
38	PJ7410097	3	3				SS		Screw		

Date: 2013/11/23	Image id: A06Q1	Catalogue: 10001	Model: EC14
Brand: Volvo	Serial: 10151-21500, 21501-99999	Group/Section: 215/300	Title: Timing gears



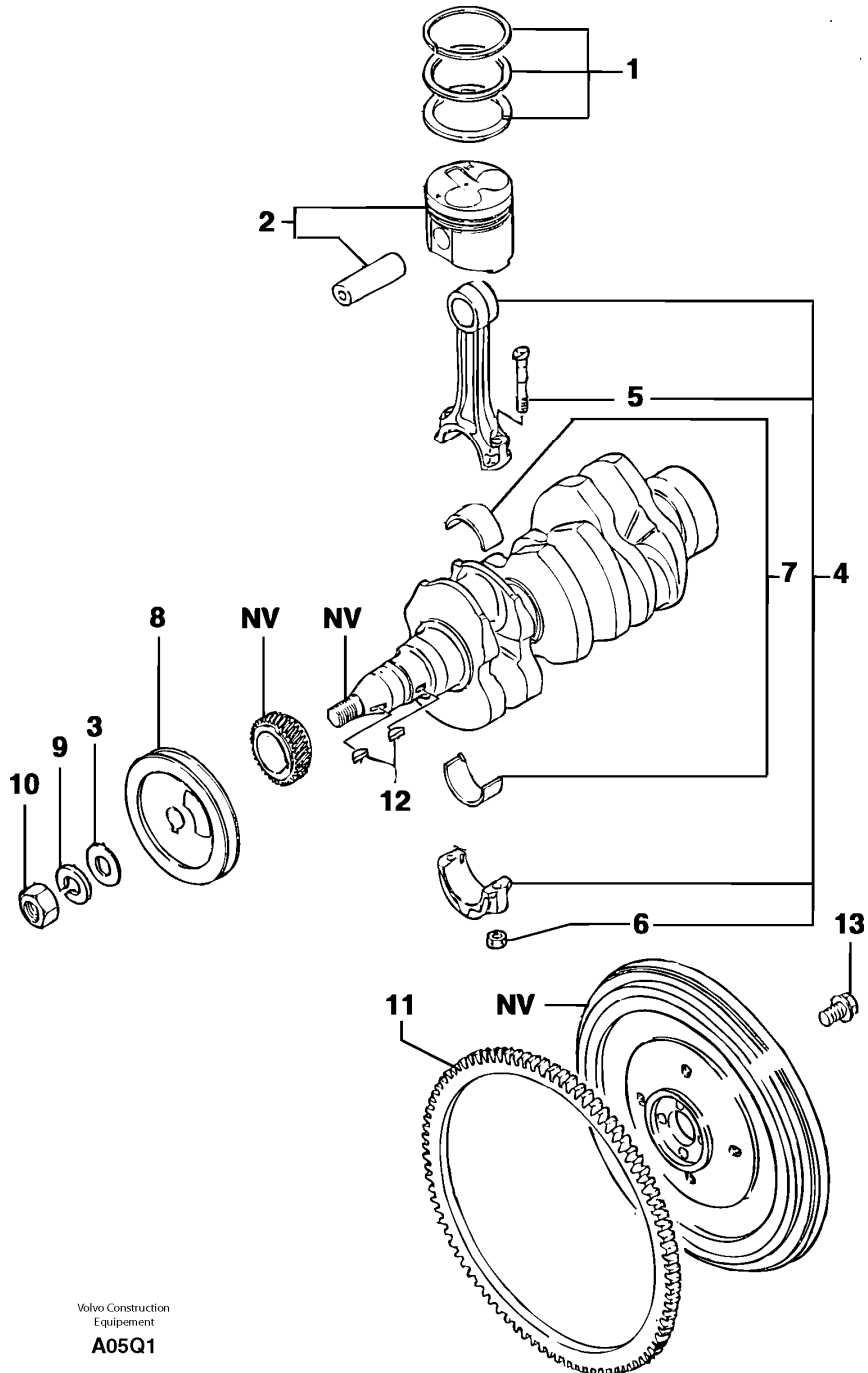
Volvo Construction
Equipment
A06Q1

Q1-Q5	Option	Option description
-------	--------	--------------------

Q1 246.21501			
Q2 271.10151			

Pos	Part	Q1	Q2	Q3	Q4	Q5	PS	Kit	Description	Option(s)	Remark
1	PJ7412983	1	1						Rocker Arm Shaft		
2	PJ7410622	1	1						Pin		
3	PJ7410612	2	2						Spring		
4	PJ7410657	6	6						Rocker Arm		
5	PJ7410613	3	3						Support		
6	PJ7410402	3	3						Washer		
7	PJ7410126	3	3				SS		Lock Washer		
8	PJ7410669	2	2						Stud		
9	PJ7410597	6	6				SS		Nut		
10	PJ7410605	2	2						Snap Ring		INCL IN 1
11	PJ7410658	6	6						Screw		
12	PJ7410656	6	6						Rod		
13	PJ7410651	6	6						Tappet		
14	PJ7414924	6	6						Cap		
15	PJ7410056	12	12						Stop		
16	PJ7410655	6	6						Washer		
17	PJ7410638	6	6						Spring		
18	PJ7410057	6	6				SS		Seal		
19	PJ7410621	3	3				SS		Exhaust Valve		
20	PJ7410620	3	3						Inlet valve		
21	PJ7410606	1	1						Snap Ring		
22	PJ7410618	1	1						Ball bearing		
23	PJ7410602	1	1						Key		
24	PJ7410131	1	1						Key		
25	PJ7410617	1	1						Ball bearing		
26	PJ7410629	1	1						Washer		
27	PJ7410629	1	1						Washer		
28	PJ7410100	1	1				SS		Screw		
29	PJ7415178	1	1						Snap Ring		
30	PJ7415183	1	1						Washer		
31	PJ7410093	1	1				SS		Screw		
32	PJ7410617	1	1						Ball bearing		
33	PJ7410100	1	1				SS		Screw		

Date: 2013/11/23	Image id: A05Q1	Catalogue: 10001	Model: EC14
Brand: Volvo	Serial: 10151-21500, 21501-99999	Group/Section: 216/100	Title: Pistons / connecting rods / crankshaft / flywheel



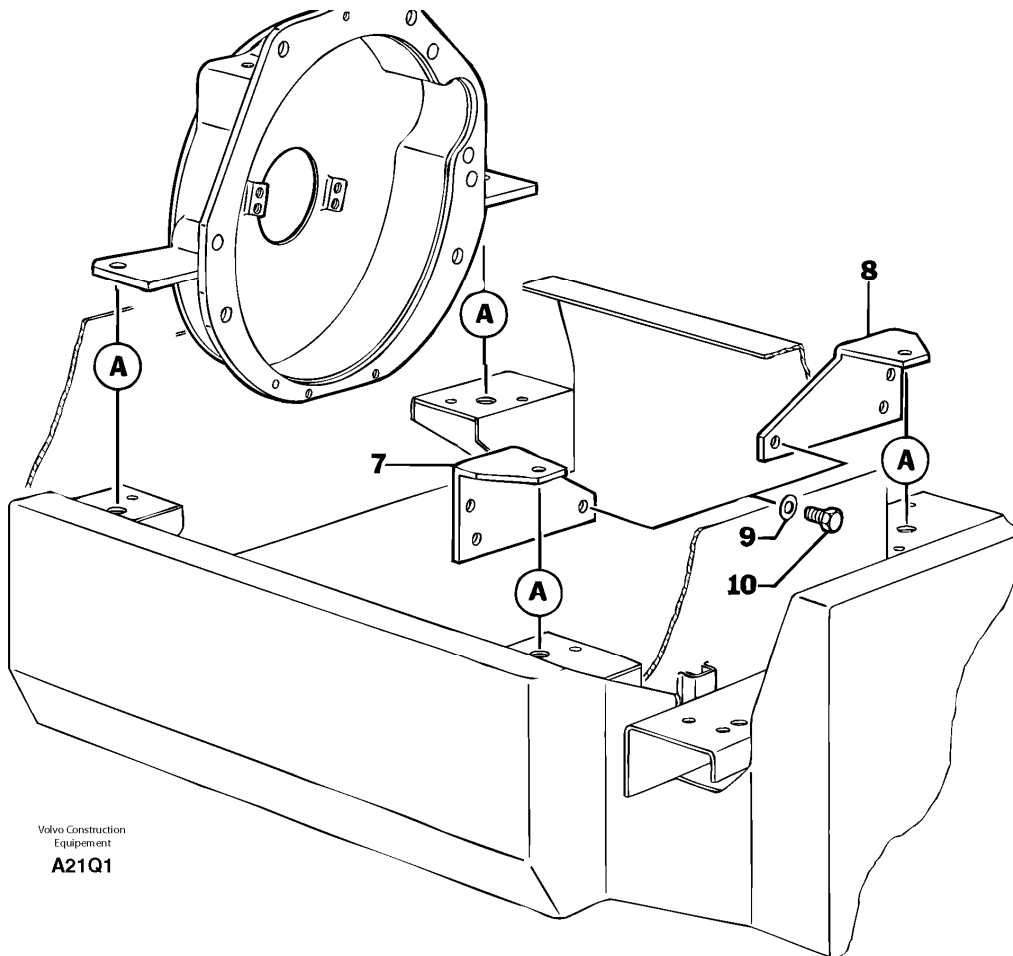
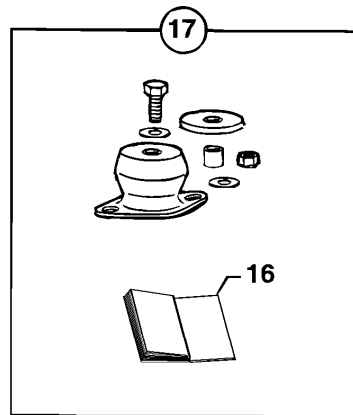
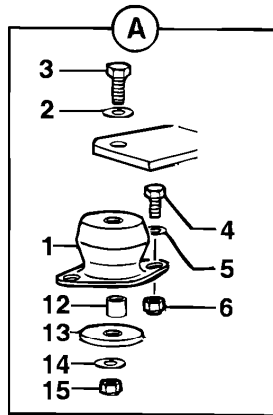
Volvo Construction
Equipment
A05Q1

Q1-Q5	Option	Option description	
-------	--------	--------------------	--

Q1 246.21501			
Q2 271.10151			

Pos	Part	Q1	Q2	Q3	Q4	Q5	PS	Kit	Description	Option(s)	Remark
1	PJ7410666	3	3						Piston rings (kit)		STD SZ
1	PJ7411182	3	3						Piston rings (kit)		0,25mm/0.0098in
1	PJ7411183	3	3						Piston rings (kit)		0,50mm/0.0197in
2	PJ7415182	3	3						Piston		STD SZ
2	PJ7415742	3	3						Piston		0,25mm/0.0098in
2	PJ7415743	3	3						Piston		0,50mm/0.0197in
3	PJ7410600	1	1						Washer		
4	PJ7415744	3	3				SS		Piston rod		
5	PJ7415819	2	2						•Screw		
6	PJ7410045	2	2						•Nut		
7	VOE11716691	3	3						Connecting Rod		(PJ7413017)STD SZ
7	VOE11716692	3	3						Connecting Rod		(PJ7413018) 0,25mm/0.0098in
7	PJ7411185	3	3						Bearings (kit)		(PJ7413019) 0,50mm/0.0197in
8	PJ7415745	1	1						Pulley		
9	PJ7410601	1	1						Lock Washer		
10	PJ7410598	1	1						Nut		
11	PJ7410588	1	1						Tooth Wheel		
12	PJ7410602	2	2						Key		
13	PJ7410589	4	4				SS		Screw		

Date: 2013/11/23	Image id: A21Q1	Catalogue: 10001	Model: EC14
Brand: Volvo	Serial: 10151-21500, 21501-99999	Group/Section: 218/100	Title: Engine mounts



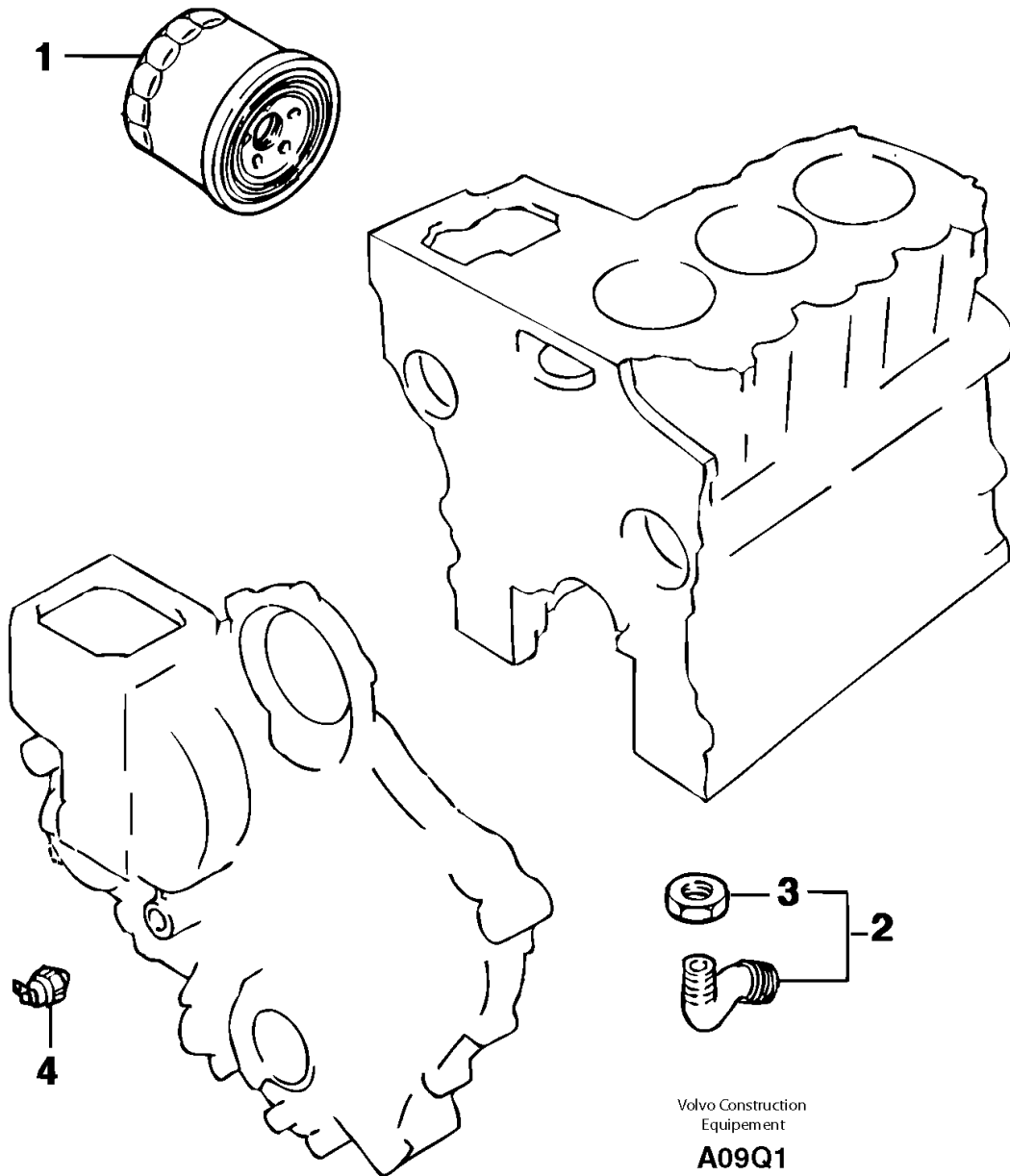
Volvo Construction
Equipment
A21Q1

Q1-Q5	Option	Option description	
-------	--------	--------------------	--

Q1 246.21501			
Q2 271.10151			

Pos	Part	Q1	Q2	Q3	Q4	Q5	PS	Kit	Description	Option(s)	Remark
1	PJ5140282	4	4						Suspension		INCL IN 17
2	VOE11804249	4	4						Washer		(PJ4490002)INCL IN 17, M12
3	PJ4380369	4	4						Screw		INCL IN 17, HM12X80
4	PJ4380043	8	8				SS		Screw		HM8X20
5	VOE13955894	8	8						Washer		(PJ4460025)MU8
6	VOE948645	8	8						Flange lock nut		(PJ4450008)NYLSTOP M8
7	PJ3560338	1	1						Support		
8	PJ3560339	1	1						Support		
9	VOE11807554	6	6						Washer		(PJ4490003)M10
10	PJ4370015	6	6						Screw		HM10X25
11	PJ4460043	REQ	REQ						Washer		PJ 4460043
12	PJ3920080	4	4						Spacer		INCL IN 17
13	VOE11805789	4	4						Washer		(PJ5540050)INCL IN 17
14	VOE983336	4	4						Washer		(PJ4460039)INCL IN 17, MU12
15	VOE11804239	4	4						Nut		(PJ4450077)INCL IN 17
16	PJ5400616	1	1						Instal. instruction		INCL IN 17
17	PJ6532088	1	1				SS		Repair Kit		S/N - 271.15889

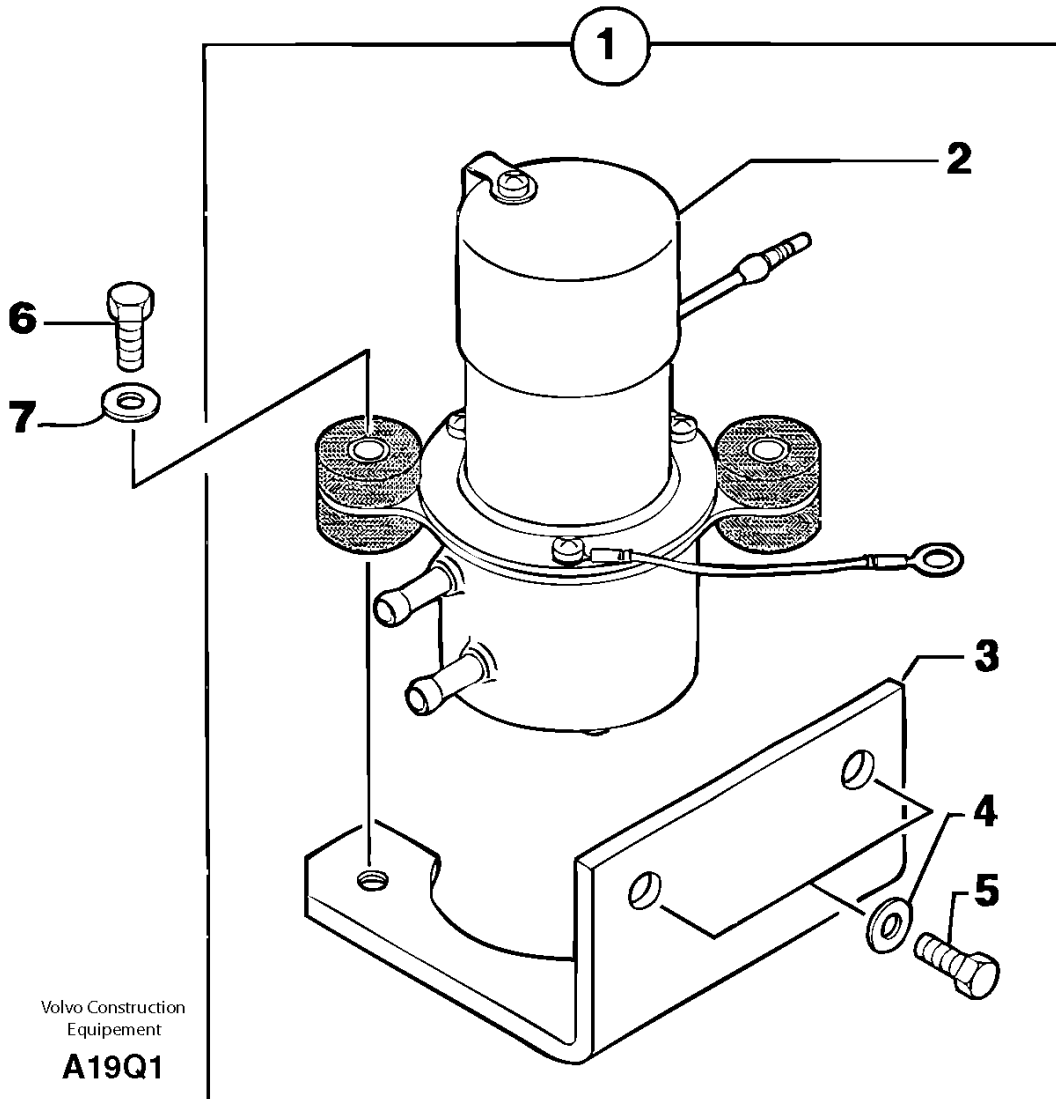
Date: 2013/11/23	Image id: A09Q1	Catalogue: 10001	Model: EC14
Brand: Volvo	Serial: 10151-21500, 21501-99999	Group/Section: 222/100	Title: Oil filter



Q1-Q5	Option	Option description	
Q1 246.21501			
Q2 271.10151			

Pos	Part	Q1	Q2	Q3	Q4	Q5	PS	Kit	Description	Option(s)	Remark
1	VOE11715849	1	1						Oil filter		(PJ7410062)
1	PJ7410062/20	1	1				SS		Filter Kit		
2	PJ7413011	1	1						Strainer		
3	PJ7410727	1	1						•Nut		
4	VOE15107743	1	1						Switch		(PJ7410748)

Date: 2013/11/23	Image id: A19Q1	Catalogue: 10001	Model: EC14
Brand: Volvo	Serial: 10151-21500, 21501-99999	Group/Section: 233/100	Title: Fuel pump

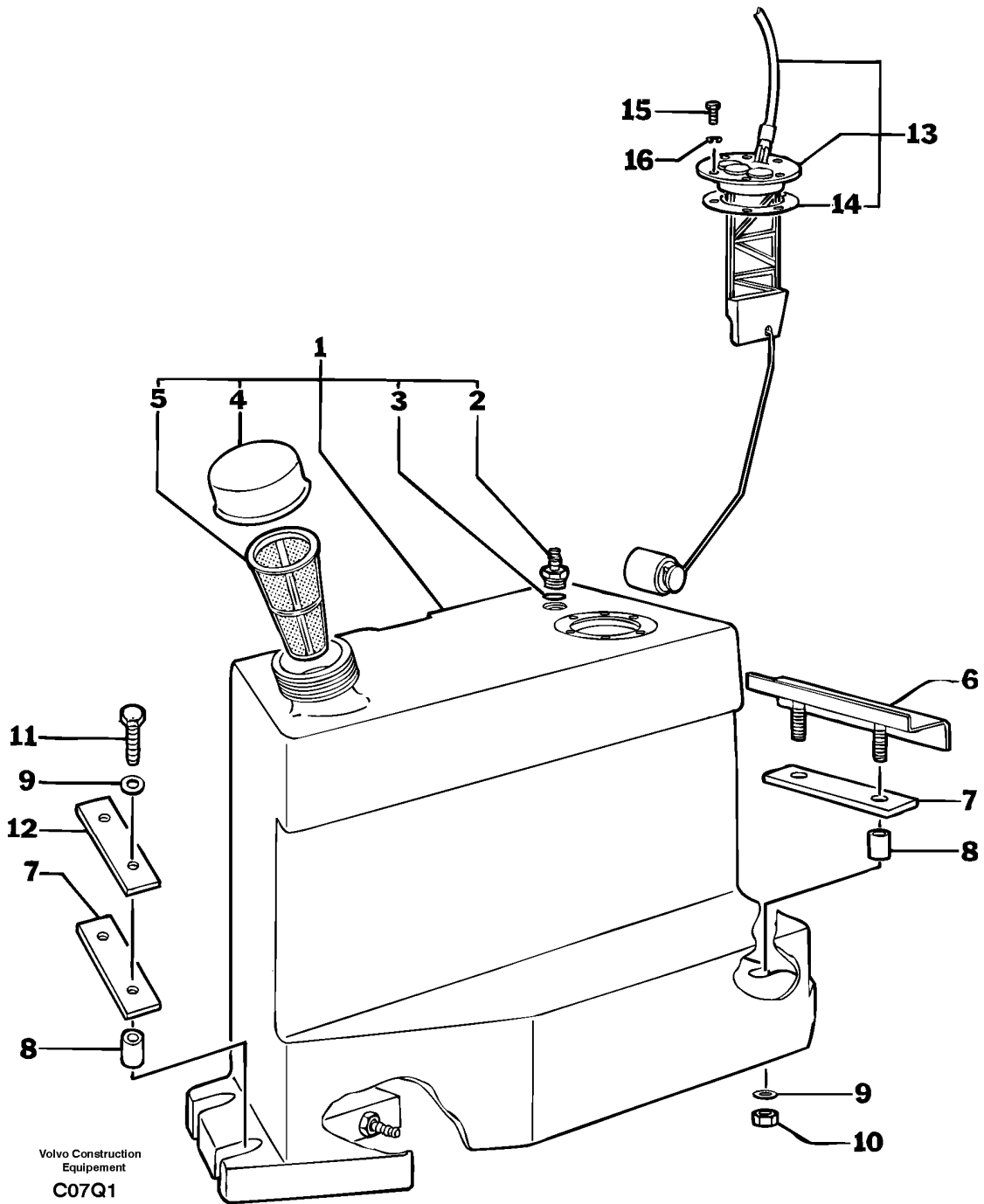


Q1-Q5	Option	Option description	
Q1 246.21501			
Q2 271.10151			

Pos	Part	Q1	Q2	Q3	Q4	Q5	PS	Kit	Description	Option(s)	Remark
1	PJ6530247	1	1				SS		Fuel Pump Kit		

2	PJ5150005	1	1						•Fuel pump		
3	PJ3560449	1	1						•Support		
4	VOE955892	2	2						•Washer		(PJ4460018)MU6
5	PJ4380031	2	2						•Screw		HM6X16
6	PJ4380033	2	2						Screw		HM6X25
7	VOE11806142	2	2						Washer		(PJ4490014)M6

Date: 2013/11/23	Image id: C07Q1	Catalogue: 10001	Model: EC14
Brand: Volvo	Serial: 10151-21500, 21501-99999	Group/Section: 234/100	Title: Gas-oil tank

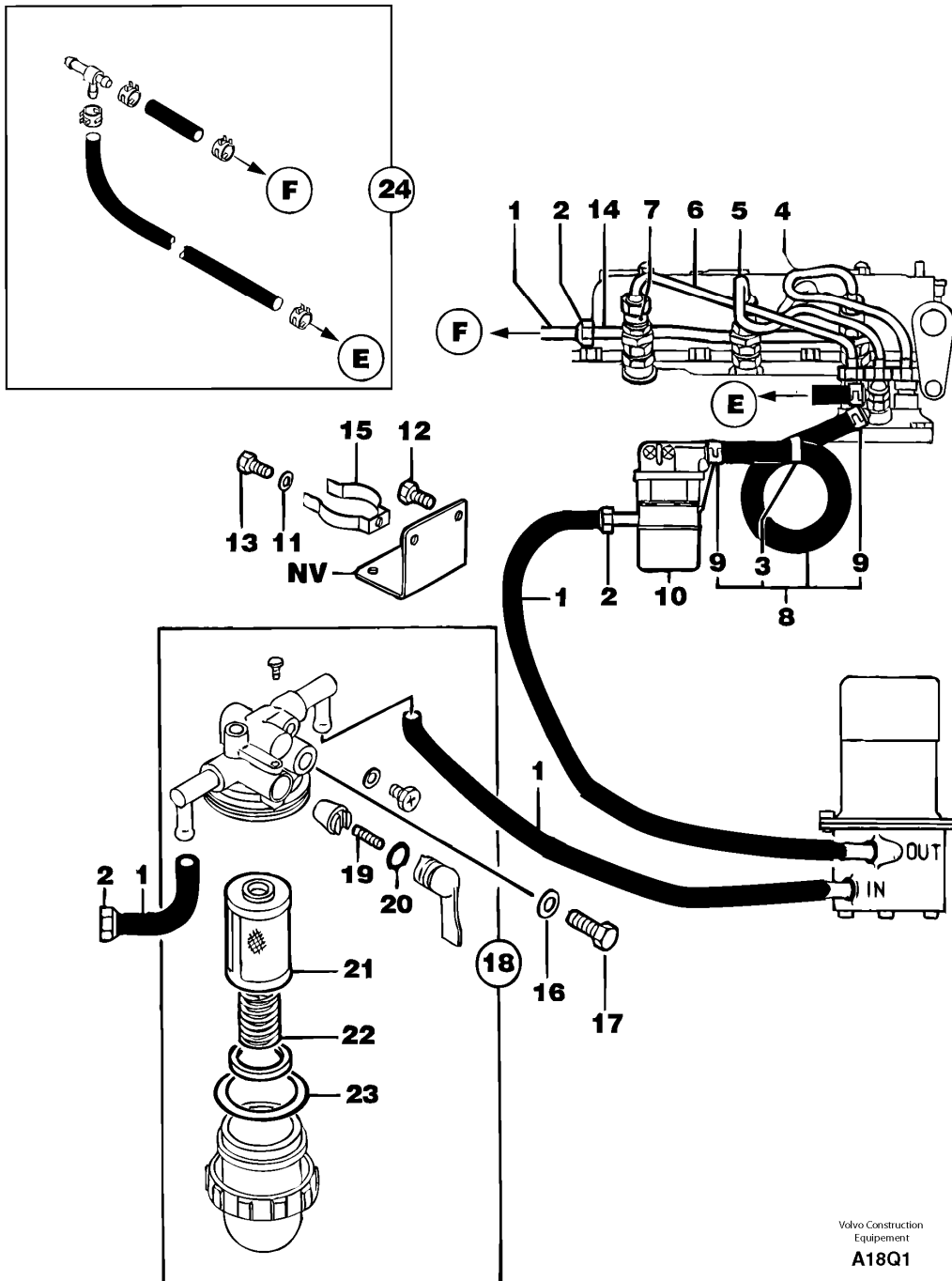


Q1-Q5	Option	Option description	
-------	--------	--------------------	--

Q1 246.21501			
Q2 271.10151			

Pos	Part	Q1	Q2	Q3	Q4	Q5	PS	Kit	Description	Option(s)	Remark
1	PJ5020034	1	1						Fuel tank		
2	PJ4750268	2	2						•Sprt Brg Shaft		
3	VOE11800699	2	2				OP		•Seal		
4	PJ4740065	1	1						•Filler cap		
5	PJ6050081	1	1						•Strainer		
6	PJ3810794	1	1						Apron		
7	PJ5140158	2	2						Rubber band		
8	PJ3920038	4	4						Spacer		
9	VOE11807554	4	4						Washer		(PJ4490003)M10
10	VOE983304	2	2						Hexagon nut		(PJ4410020)HM10
11	PJ4380058	2	2						Screw		HM10X60
12	PJ3310184	1	1						Plate		
13	PJ5130040	1	1						Sender		
14	PJ7412957	1	1						•Sealing		
15	VOE955228	6	6						Hexagon screw		(PJ4380010)HM4X16
16	PJ4470005	6	6						Lock Washer		W4

Date: 2013/11/23	Image id: A18Q1	Catalogue: 10001	Model: EC14
Brand: Volvo	Serial: 10151-21500, 21501-99999	Group/Section: 235/100	Title: Fuel circuit

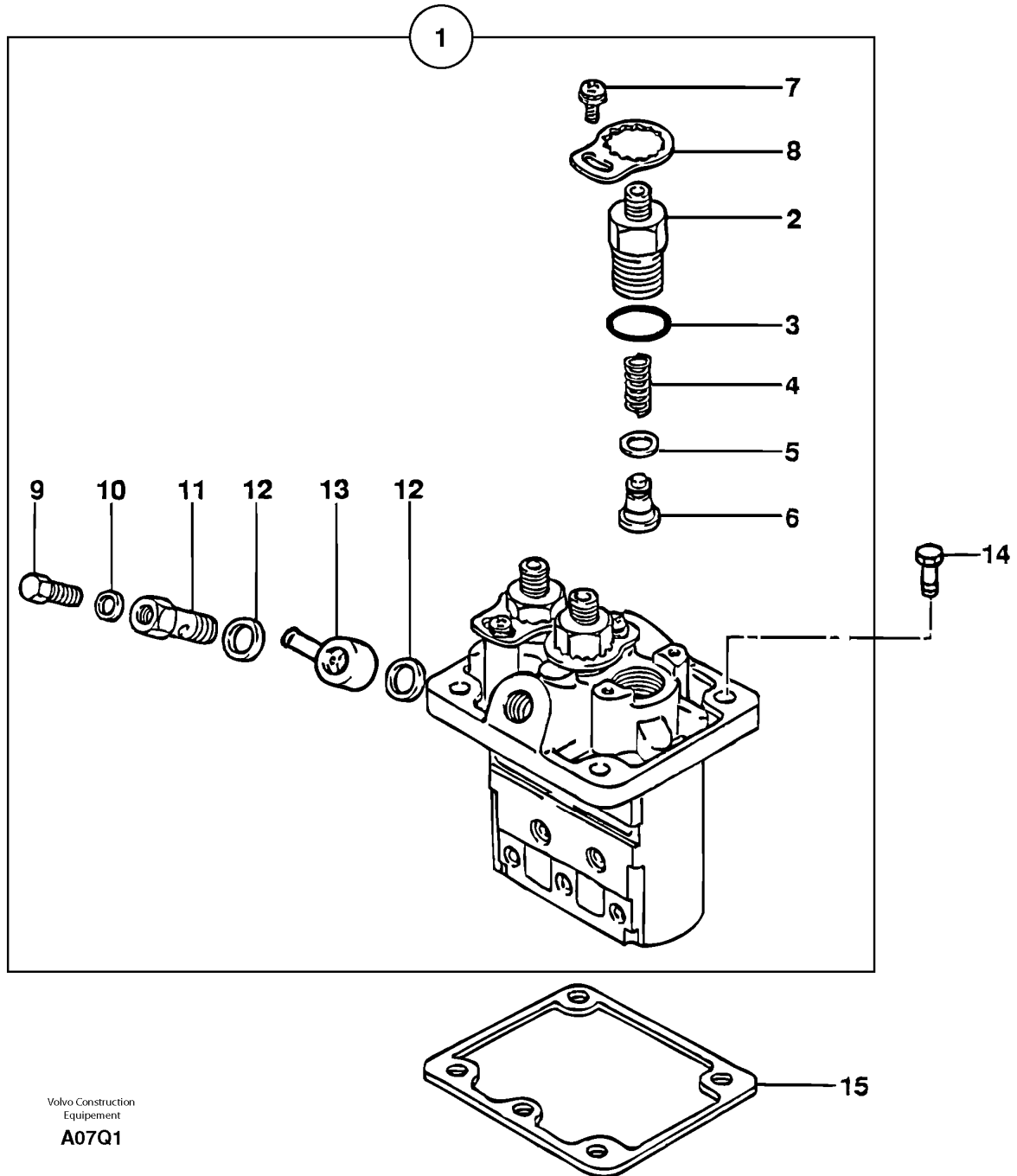


Q1-Q5	Option	Option description

Q1 246.21501			
Q2 271.10151			

Pos	Part	Q1	Q2	Q3	Q4	Q5	PS	Kit	Description	Option(s)	Remark
1	VOE11801991	REQ	REQ						Tube		(PJ2360015)
2	VOE11806174	3	3						Clamp		(PJ4690040)
3	PJ7412902	1	1						Clamp		INCL IN 8
4	PJ7410753	1	1						Injection pipes		
5	PJ7410754	1	1						Injection pipes		
6	PJ7412908	1	1						Injection pipes		
7	PJ7410716	3	3						Nut		
8	PJ7413150	1	3						Tube		
9	PJ7412929	2	2						•Clamp		
10	PJ11715847	1	1						Fuel filter		
	PJ7410170	1	1						•Fuel filter		
10	PJ7410170/20	1	1				SS		Filter Kit		
11	PJ7410123	1	1				SS		Washer		
12	PJ7410097	2	2				SS		Screw		
13	PJ7410100	1	1				SS		Screw		
14	PJ7412913	1	1						Pipe		
15	PJ7410171	1	1						Flange		
16	PJ4490014	1	1						Washer		M6
17	PJ4380028	1	1						Screw		HM6X65
18	PJ6050073	1	1						Sediment bowl		
19	PJ7412905	1	1						•Spring		
20	PJ7412906	1	1						•O-ring		
21	PJ7412921	1	1						•Filter cartridge		
22	PJ7412922	1	1						•Spring		
23	VOE11715870	1	1						•O-ring		(PJ7412907)
24	PJ7415746	1	1				SS		Tube Assembly		

Date: 2013/11/23	Image id: A07Q1	Catalogue: 10001	Model: EC14
Brand: Volvo	Serial: 10151-21500, 21501-99999	Group/Section: 236/100	Title: Injection pump

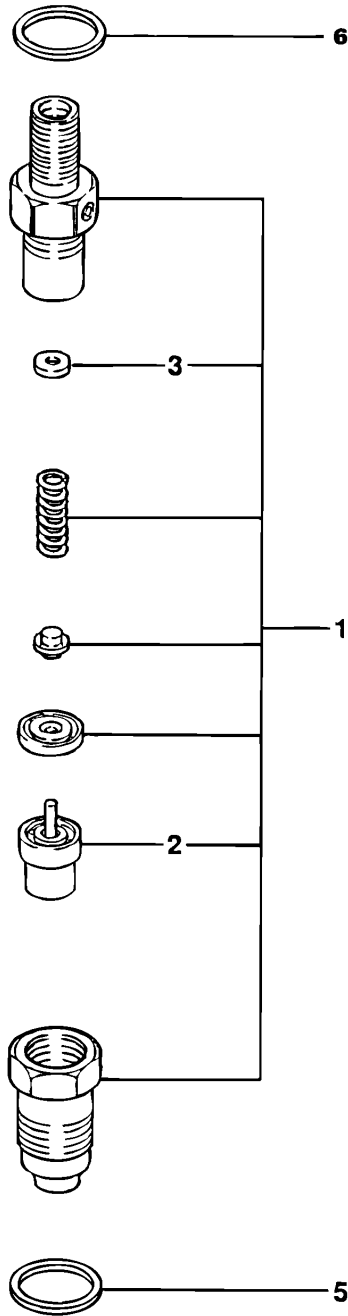


Q1-Q5	Option	Option description	
-------	--------	--------------------	--

Q1 246.21501			
Q2 271.10151			

Pos	Part	Q1	Q2	Q3	Q4	Q5	PS	Kit	Description	Option(s)	Remark
1	PJ7413168	1	1						Injection Pump		
2	PJ7410881	3	3						•Nipple		
3	PJ7410878	3	3						•O-ring		
4	PJ7410880	3	3						•Spring		
5	PJ7412098	3	3						•Seal		
6	PJ7412928	3	3						•Reed Valve		
7	PJ7413159	3	3						•Screw		
8	PJ7410813	3	3						•Retaining plate		
9	PJ7410810	1	1						•Screw		
10	PJ7410808	1	1						•Washer		
11	PJ7410811	1	1						•Hollow Screw		
12	PJ7410809	2	2						•Seal		
13	PJ7413158	1	1						•Nipple		
14	PJ7410725	4	4						Screw		
15	PJ7412909	REQ	REQ						Shim		THICK 0,2mm/0,0079in =
15	PJ7412910	REQ	REQ						Shim		THICK 0,3mm/0,0118in =
15	PJ7412915	REQ	REQ						Shim		THICK 0,4mm/0,0157in =
15	PJ7412911	REQ	REQ						Shim		THICK 0,5mm/0,0197in =
15	PJ7412916	REQ	REQ						Shim		THICK 0,6mm/0,0236in =
15	PJ7412917	REQ	REQ						Shim		THICK 0,7mm/0,0276in =
15	PJ7412918	REQ	REQ						Shim		THICK 0,8mm/0,0315in =
15	PJ7412919	REQ	REQ						Shim		THICK 0,9mm/0,0354in =
15	PJ7412920	REQ	REQ						Shim		THICK 1,0mm/0,0394in =

Date: 2013/11/23	Image id: A08Q1	Catalogue: 10001	Model: EC14
Brand: Volvo	Serial: 10151-21500, 21501-99999	Group/Section: 237/100	Title: Injector



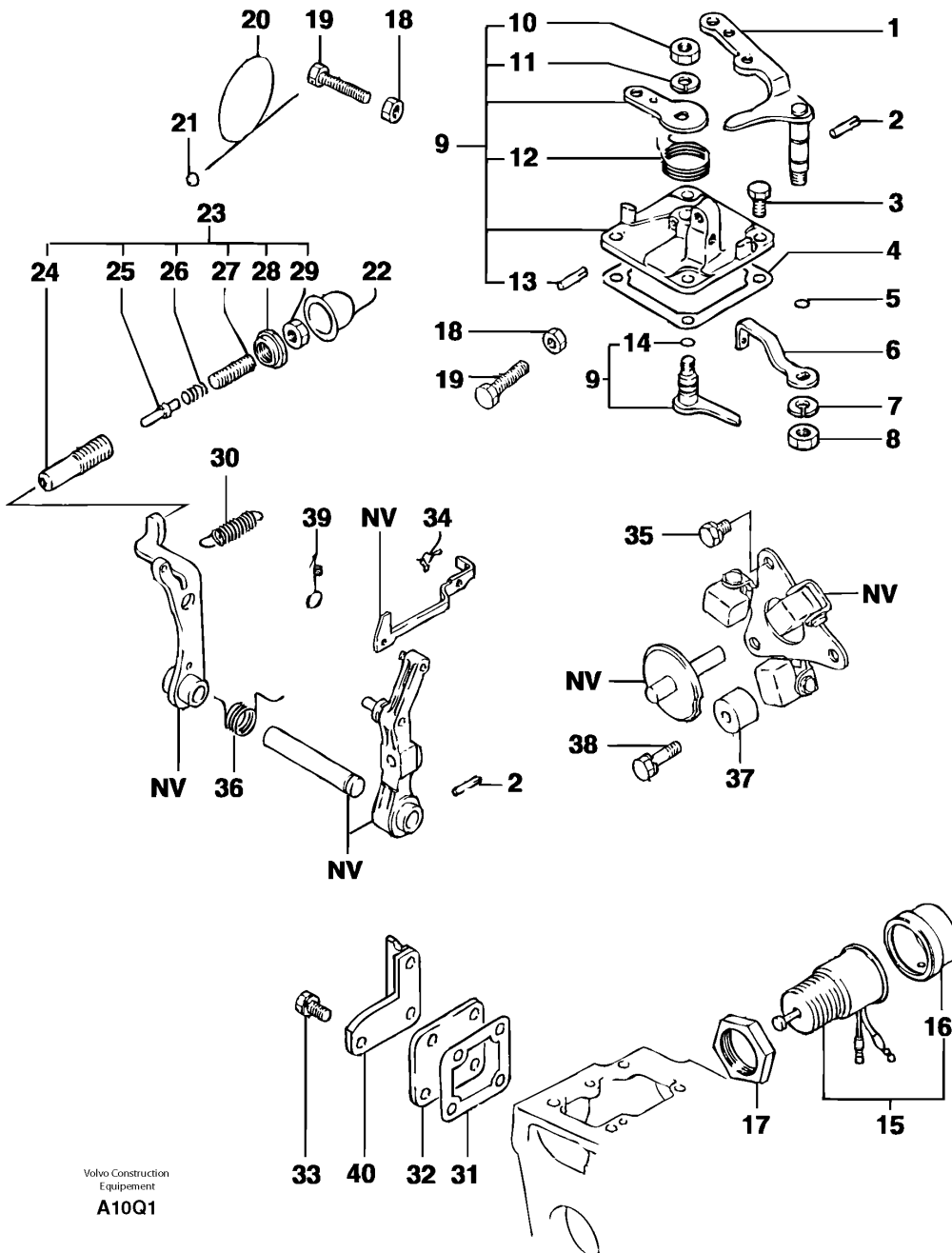
Volvo Construction
Equipment
A08Q1

Q1-Q5	Option	Option description	
-------	--------	--------------------	--

Q1 246.21501			
Q2 271.10151			

Pos	Part	Q1	Q2	Q3	Q4	Q5	PS	Kit	Description	Option(s)	Remark
1	PJ7413007	3	3						Injector		
2	PJ7410590	1	1						Nozzle		
3	PJ7410676	REQ	REQ						Washer		THICK 1,25mm/0,0492in =
3	PJ7410677	REQ	REQ						Washer		THICK 1,30mm/0,0512in =
3	PJ7410678	REQ	REQ						Washer		THICK 1,35mm/0,0531in =
3	PJ7410679	REQ	REQ						Washer		THICK 1,40mm/0,0551in =
3	PJ7410680	REQ	REQ						Washer		THICK 1,45mm/0,0571in =
3	PJ7410681	REQ	REQ						Washer		THICK 1,50mm/0,0591in =
3	PJ7410682	REQ	REQ						Washer		THICK 1,55mm/0,0610in =
3	PJ7410683	REQ	REQ						Washer		THICK 1,60mm/0,0630in =
3	PJ7410684	REQ	REQ						Washer		THICK 1,65mm/0,0650in =
3	PJ7410685	REQ	REQ						Washer		THICK 1,70mm/0,0669in =
5	PJ7410718	3	3						Seal		
6	PJ7410717	3	3						Seal		

Date: 2013/11/23	Image id: A10Q1	Catalogue: 10001	Model: EC14
Brand: Volvo	Serial: 10151-21500, 21501-99999	Group/Section: 238/100	Title: Engine injection pump control



Q1-Q5	Option	Option description	
-------	--------	--------------------	--

Q1 246.21501			
Q2 271.10151			

Pos	Part	Q1	Q2	Q3	Q4	Q5	PS	Kit	Description	Option(s)	Remark
1	PJ7410788	1	1						Lever		
2	PJ7410742	2	2						Pin		
3	PJ7410720	4	4						Screw		
4	PJ7410783	1	1				SS		Seal		
5	PJ7410133	1	1						O-ring		
6	PJ7410768	1	1						Lever		
7	PJ7410126	1	1				SS		Lock Washer		
8	PJ7410120	1	1						Nut		
9	PJ7410778	1	1						Cover kit		
10	PJ7410120	1	1						•Nut		
11	PJ7410126	1	1				SS		•Lock Washer		
12	PJ7410780	1	1						•Spring		
13	PJ7410766	1	1						•Pin		
14	PJ7410133	1	1						•O-ring		
15	PJ7413147	1	1						Solenoid		
16	PJ7410292	1	1						Cap		
17	PJ7410289	1	1						Nut		
18	PJ7410116	2	2				SS		Nut		
19	PJ7410174	2	2						Screw		
20	PJ7410148	1	1						Wire		
21	PJ7410147	1	1						Seal		
22	PJ7410804	1	1						Cap		
23	PJ7413152	1	1						Regulator		
24	PJ7410786	1	1						•Threaded part		
25	PJ7413151	1	1						•Rod		
26	PJ7413149	1	1						•Spring		
27	PJ7410787	1	1						•Screw with pin		
28	PJ7410785	1	1				OP		•Nut		
29	PJ7410714	1	1						•Nut		
30	PJ7413179	1	1						Spring		
31	PJ7410767	1	1						Seal		
32	PJ7410805	1	1						Cover		
33	PJ7410101	4	4				SS		Screw		
34	PJ7410776	1	1						Fastener		
35	PJ7410099	2	2				SS		Screw		
36	PJ7413015	1	1						Spring		
37	PJ7410736	1	1						Bushing		
38	PJ7410726	1	1				SS		Screw		
39	PJ7412994	1	1						Spring		
40	PJ3610131	1							Support		
40	PJ3610131		1						Support		S/N - 271.18352
40	PJ3560624		1						Support		S/N 271.18353 -



Suggest:

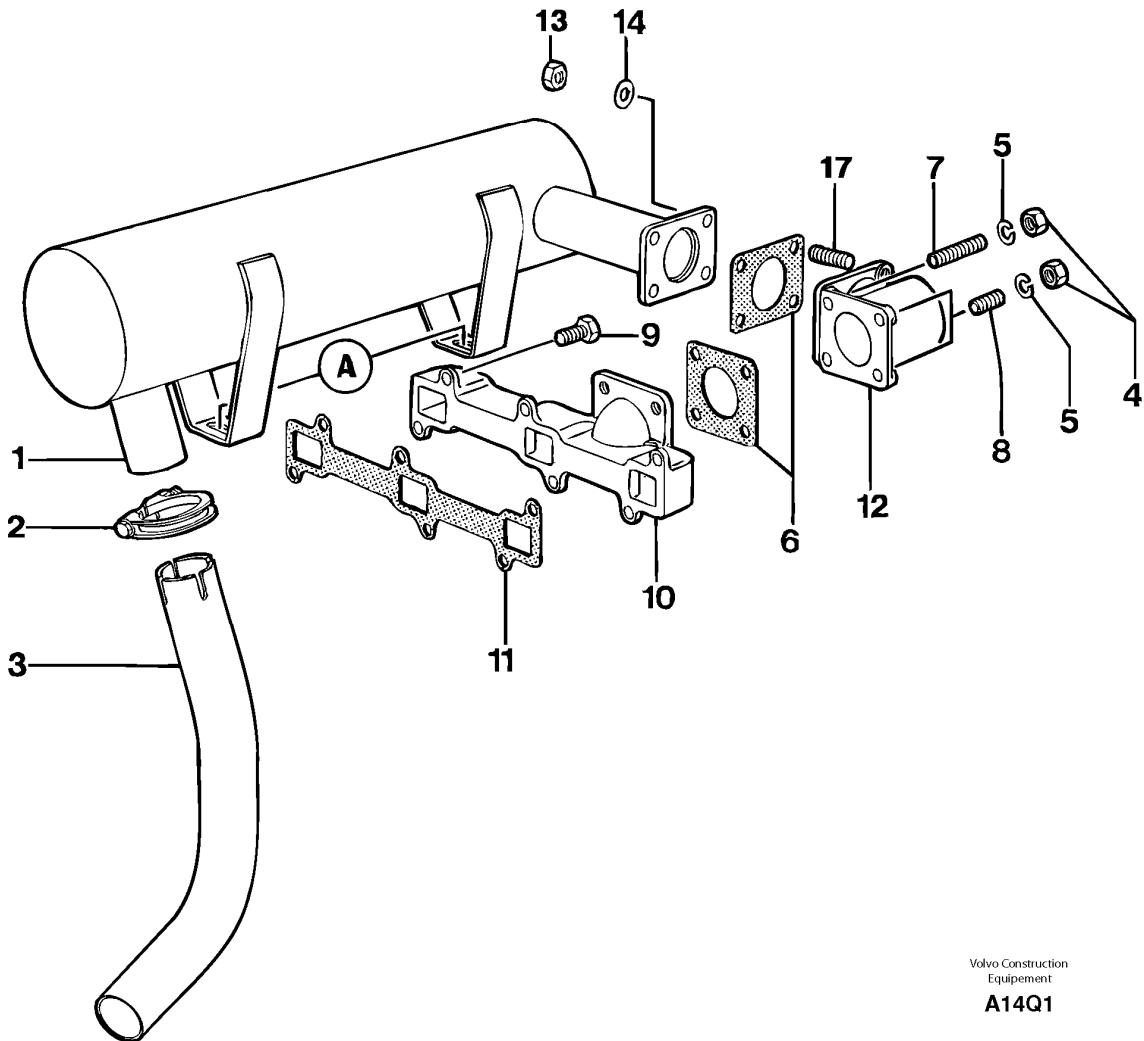
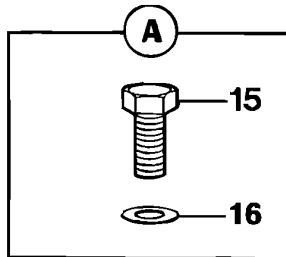
For more complete manuals. Please go to the home page.

<https://www.ebooklibonline.com>

If the above button click is invalid. Please download this document first, and then click the above link to download the complete manual.

Thank you so much for reading

Date: 2013/11/23	Image id: A14Q1	Catalogue: 10001	Model: EC14
Brand: Volvo	Serial: 10151-21500, 21501-99999	Group/Section: 251/100	Title: Exhaust manifold / muffler



Volvo Construction
Equipment
A14Q1

Q1-Q5	Option	Option description	
-------	--------	--------------------	--

Q1 246.21501			
Q2 271.10151			

Pos	Part	Q1	Q2	Q3	Q4	Q5	PS	Kit	Description	Option(s)	Remark
1	PJ5140155	1	1						Muffler		
1	PJ6530192	1	1				NS		Catalytic exhaust		
2	PJ4690014	1	1						Clamp		
3	PJ5140156	1	1						Tube		
4	VOE983303	4	4						Hexagon nut		(PJ4410016)HM8
5	PJ4470014	4	4						Lock Washer		W8
6	PJ7410238	2	2						Seal		
7	PJ7412888	2	2						Stud		
8	PJ7417191	2	2						Stud		
9	PJ7412887	6	6						Screw		
10	PJ7412893	1	1						Exhaust manifold		
11	PJ7412890	1	1						Seal		
12	PJ7412889	1	1						Output flange		
13	VOE983303	4	4						Hexagon nut		(PJ4410016)HM8
14	VOE13955894	4	4						Washer		(PJ4460025)MU8
15	PJ4380054	2	2						Screw		HM10X20
16	PJ4460035	2	2						Washer		LU10
17	PJ7410114	4	4						Stud		

<https://www.ebooklibonline.com>

Hello dear friend!

Thank you very much for reading.

Enter the link into your browser.

The full manual is available for immediate download.

<https://www.ebooklibonline.com>