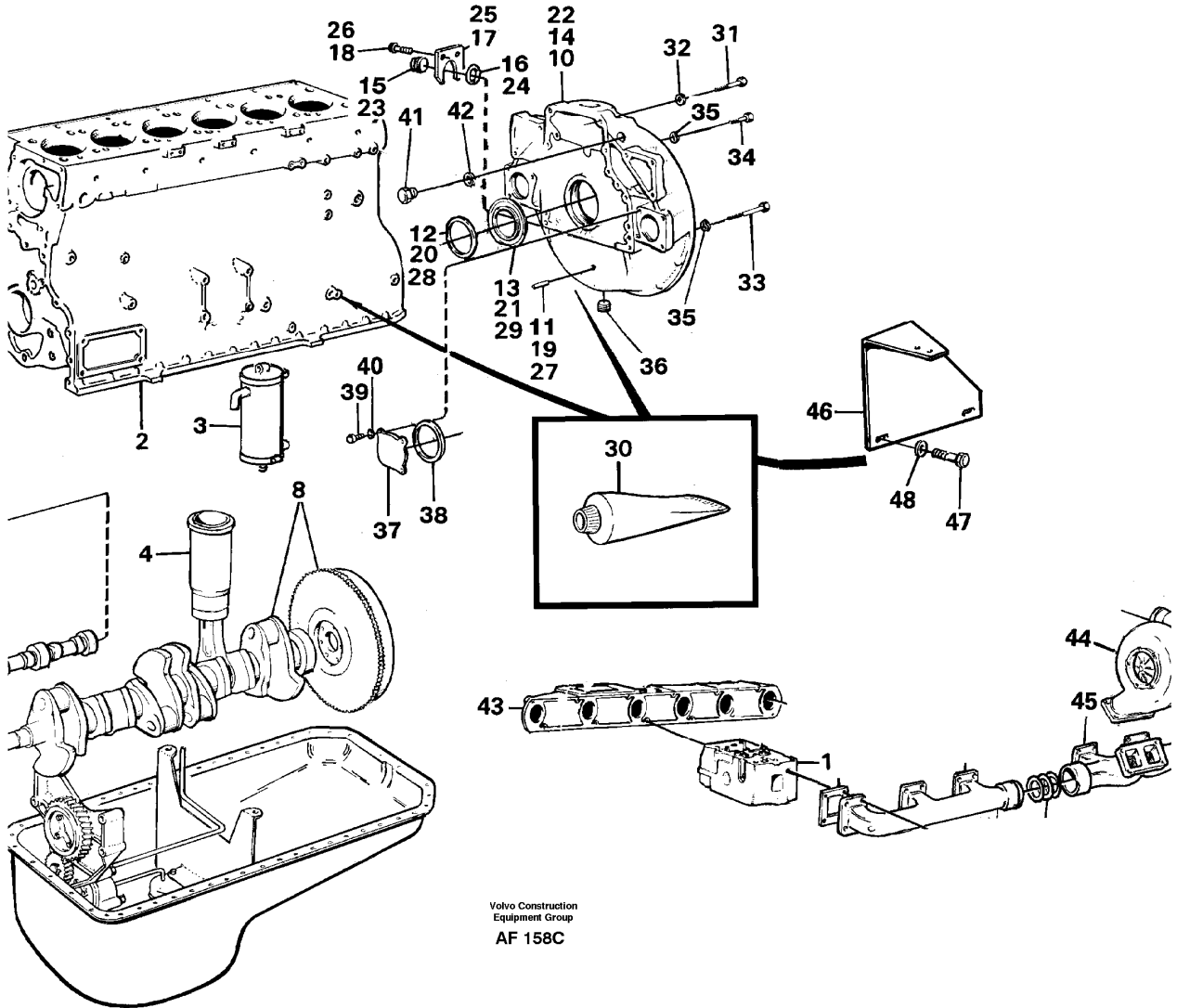


Date: 2014/2/28	Image id: AF158C	Catalogue: 97702	Model: L150
Brand: Volvo BM	Serial: 1001-2080, 60000-60500	Group/Section: 210/150	Title: Engine with fitting parts



Q1-Q5	Option	Option description	
Q1 TD 102 GC			
Q2 TD 102 KCE			
Q3 TD 103 KCE			

Pos	Part	Q1	Q2	Q3	Q4	Q5	PS	Kit	Description	Option(s)	Remark
	VOE497294	1					OP		Engine		SER NO - 2080 SER NO - 60500 USA
	VOE497296		1				OP		Engine		SER NO 2081 - 2435 SER NO 60501 - 60618

										USA	
										VOE91814	
	VOE8188141			1						Engine	SER NO 2436 - SER NO 60619 - USA
1		1	1	1						•Cylinder head	See ref 211/100
2		1	1	1						•Cylinder block	See ref 212/100
3				1						•Crankcase ventilation	See ref 212/200
4		1	1	1						•Cylinder liner	See ref 213/100
5		1	1	1						•Valve mechanism	See ref 214/100
6		1	1							•Timing gear casing	See ref 215/100
										••••and gears	
				1						•Timing gear casing	See ref 215/150
										••••and gears	
7		1	1	1						•Camshaft	See ref 215/200
8		1	1	1						•Crankshaft	See ref 216/100
9		1	1	1						•Oil sump	See ref 217/100
10	VOE11031072	1	1				SS			•Flywheel housing	ENG - 253651
11	VOE404069	1	1							••Pin	
12	VOE20441697	1	1							••Sealing	(VOE469336)
13	VOE11031096	1	1							••Protecting plate	
14	VOE11031786	1	1				SS			•Flywheel housing	ENG 253652 -
15	VOE11031785	1	1							••Plug	
16	VOE421158	1	1							••Sealing ring	
17	VOE11031769	1	1							••Lock washer	
18	VOE13966378	2	2							••Flange screw	
19	VOE404069	1	1							••Pin	
20	VOE20441697	1	1							••Sealing	(VOE469336)
21	VOE11031096	1	1							••Protecting plate	
22	VOE11031786			1			SS			•Flywheel housing	
23	VOE11031785			1						••Plug	
24	VOE421158			1						••Sealing ring	
25	VOE11031769			1						••Lock washer	
26	VOE13966378			2						••Flange screw	
27	VOE404069			1						••Pin	
28	VOE20441697			1						••Sealing	(VOE469336)
29	VOE11031096			1						••Protecting plate	
30	VOE1161277	REQ	REQ	REQ						•Sealant	20 G
31	VOE955582	2	2	2						•Hexagon screw	L = 70 MM
32	VOE941911	2	2	2						•Spring washer	
33	VOE955587	2	2	2						•Hexagon screw	L = 102 MM
34	VOE955580	8	8	8						•Hexagon screw	L = 57 MM
35	VOE941911	10	10	10						•Spring washer	
36	VOE968215	1	1	1						•Plug blank	
37	VOE4777078	1	1	1						•Cover	
38	VOE13925095	1	1	1						•O-ring	

39	VOE13940115	2	2	2					•Screw		(VOE940115)
40	VOE13942336	2	2	2					•Spring washer		(VOE942336)
41	VOE960630	1	1	1					•Plug		
42	VOE13947621	1	1	1					•Plane gasket		ID = 18 MM
43		1	1	1					•Inlet pipe		See ref 251/100
											See ref 258/100
44		1	1	1					•Turbocharger		See ref 255/100
45		1	1	1					•Exhaust pipe		See ref 251/100
46	VOE11093495	1	1	1					•Bracket		ENG 272065 -
47	VOE13940114	2	2	2					•Screw		ENG 272065 -
48	VOE13940097	2	2	2					•Washer		ENG 272065 -

<https://www.ebooklibonline.com>

Hello dear friend!

Thank you very much for reading.

Enter the link into your browser.

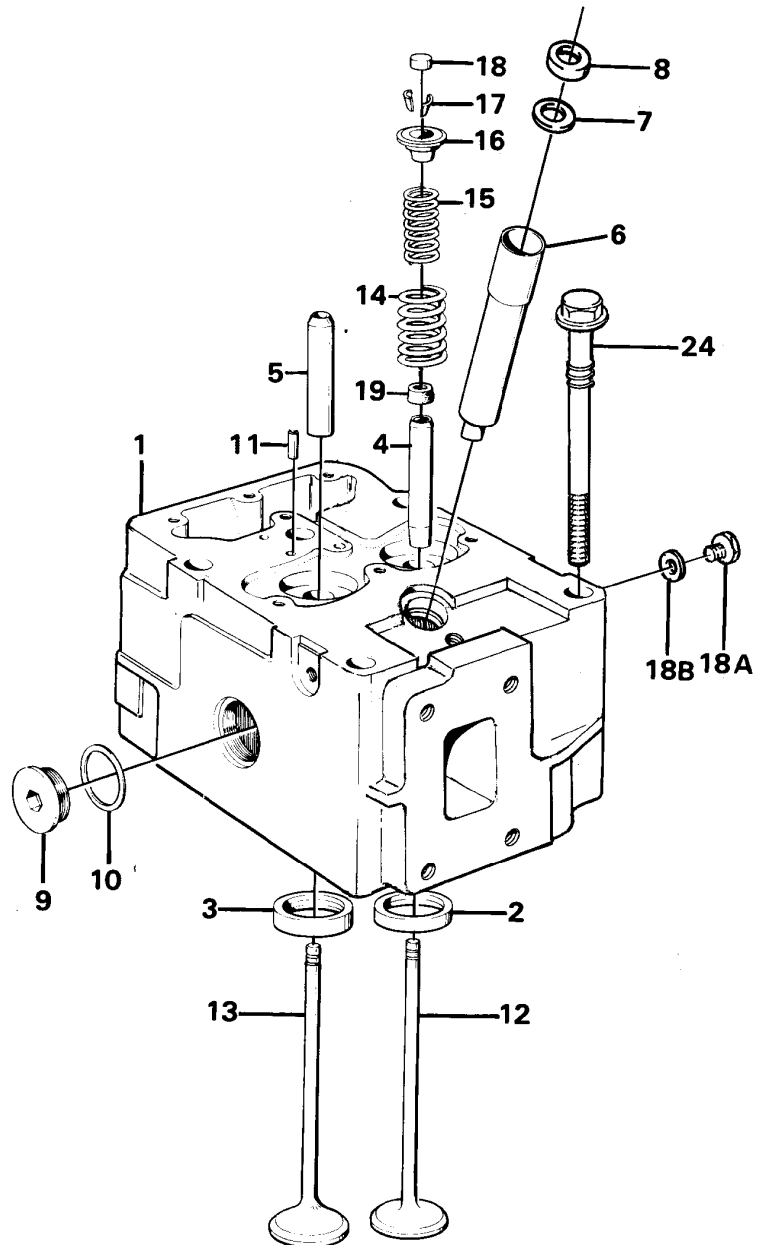
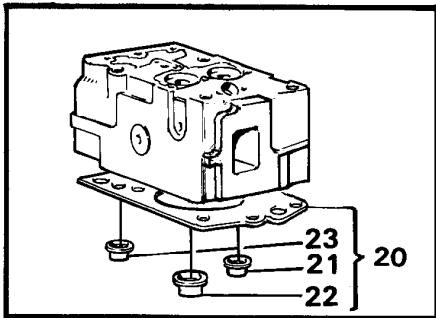
The full manual is available for immediate download.

<https://www.ebooklibonline.com>

VOLVO

Construction Equipment

Date: 2014/2/28	Image id: AF157B	Catalogue: 97702	Model: L150
Brand: Volvo BM	Serial: 1001-2080, 60000-60500	Group/Section: 211/100	Title: Cylinder head



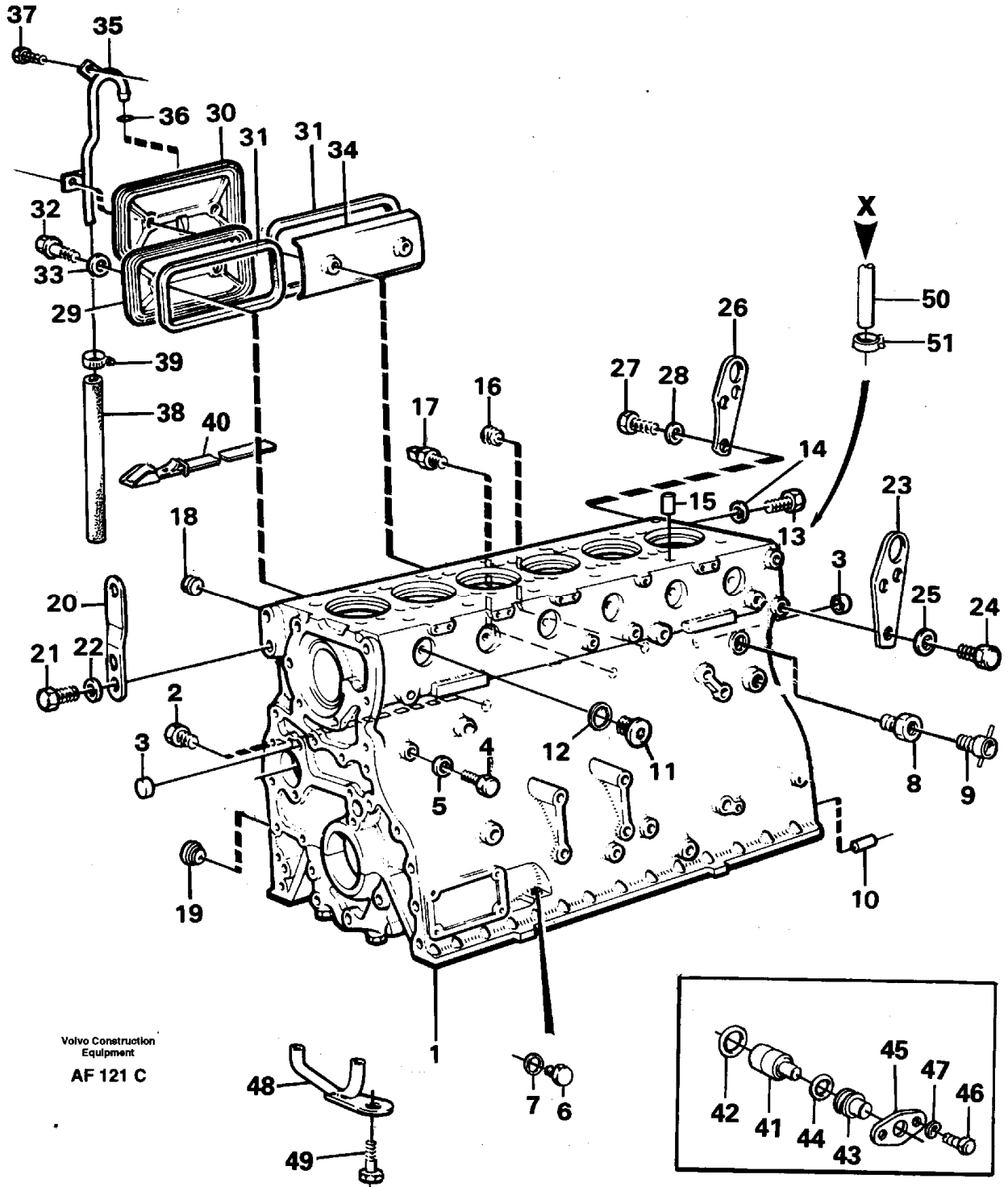
Volvo Construction
Equipment
AF 157 B

Q1-Q5	Option	Option description	
Q1 422957			
Q2 479452			
Q3 8194452			

Pos	Part	Q1	Q2	Q3	Q4	Q5	PS	Kit	Description	Option(s)	Remark
-----	------	----	----	----	----	----	----	-----	-------------	-----------	--------

	VOE422957	6					SS		Cylinder head		TD 102 GC/KCE
	VOE479452		6				SS		Cylinder head		TD 103 KCE ENG - 287815
	VOE8194452			6					Cylinder head		TD 103 KCE ENG 287816 -
1		6	6	6			NS		•Cylinder head		
2	VOE467474	6	6	6					••Valve seat		STD D
	VOE467590	6	6	6					••Valve seat		0,2 O SZ
3	VOE1545886	6	6	6					••Valve seat		STD D, (11987041)
	VOE1545885	6	6	6					••Valve seat		(VOE11987040)0,2 O SZ
4	VOE422762	6							••Guide		
	VOE1545135		6	6					••Valve Guide		
5	VOE1545135	6	6	6					••Valve Guide		
	VOE270946	6	6	6					••Repair Kit		
6	VOE479163	6	6	6					•••Sleeve		
7	VOE466420	6	6	6					•••Ring		
8	VOE466405	6	6	6					•••Sealing ring		
9	VOE467365	12	12						••Plug		(VOE467714)
	VOE8194467			12					••Plug		
10	VOE13949762			12					•••O-ring		
	VOE469327	12	12						••Gasket		(VOE468461)
11	VOE14025455	12	12	12					••Cylinder Pin		(VOE950543)
12	VOE479204	6	6	6					•Inlet valve		
13	VOE467855	6	6	6					•Exhaust Valve		
14	VOE467334	12	12	12					•Valve Spring		
15	VOE467335	12	12	12					•Valve Spring		
16	VOE467506	12	12	12					•Washer		
17	VOE468305	24	24	24					•Valve Collet		
18	VOE478074	12	12	12					•Valve Cap		
18A	VOE941876			12					•Plug		
18B	VOE7018666			12					•Gasket		
19	VOE417135	12	12	12					Protecting Ring		
20	VOE270789	6	6	6					Gasket Kit		
21	VOE422413	6	6	6					•Sealing ring		OD = 11 MM
22	VOE422414	12	12	12					•Sealing ring		OD = 32 MM
23	VOE422415	12	12	12					•Sealing ring		OD = 18 MM
24	VOE422086	24	24	24					Screw		

Date: 2014/2/28	Image id: AF121C	Catalogue: 97702	Model: L150
Brand: Volvo BM	Serial: 1001-2080, 60000-60500	Group/Section: 212/100	Title: Cylinder block



Volvo Construction
Equipment
AF 121 C

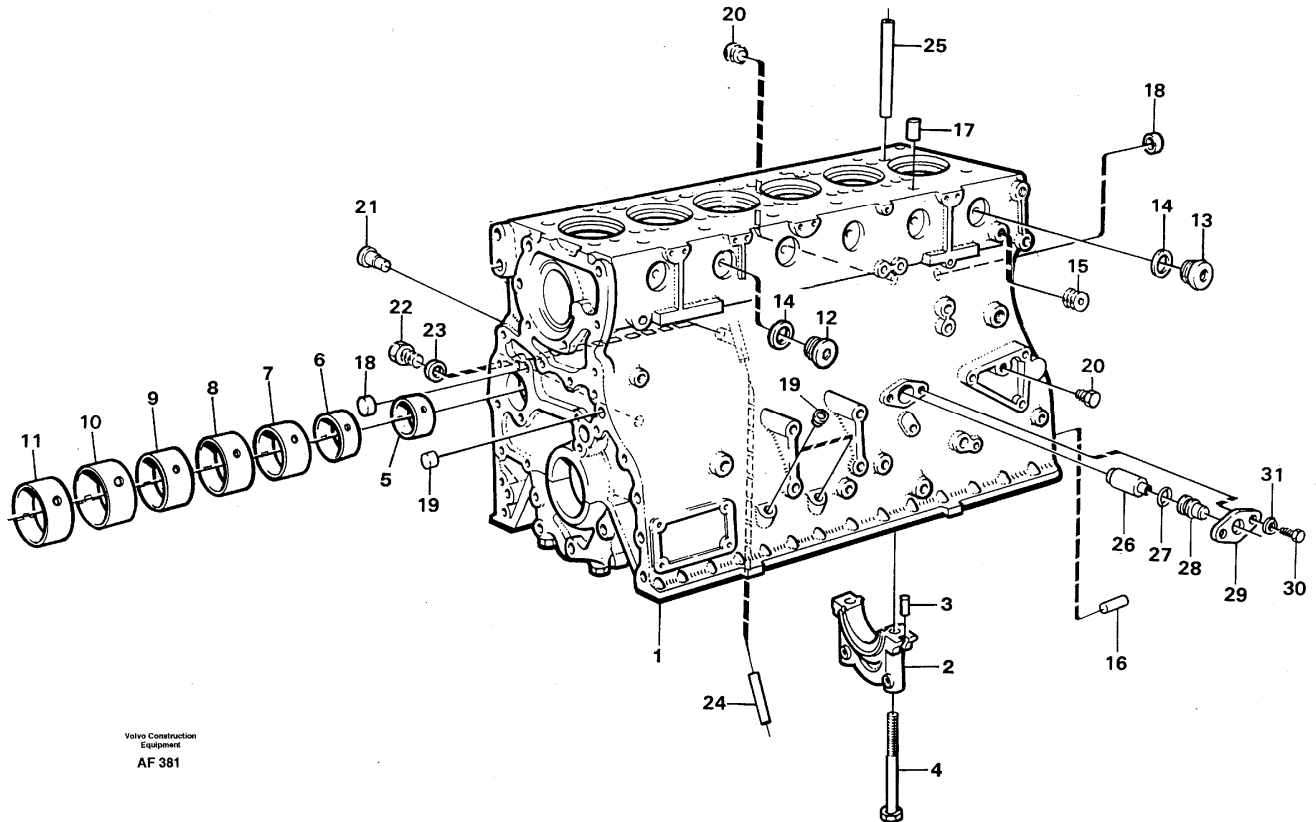
Q1-Q5	Option	Option description
-------	--------	--------------------

Q1 TD 102 GC / KCE			
Q2 TD 103 KCE			

Pos	Part	Q1	Q2	Q3	Q4	Q5	PS	Kit	Description	Option(s)	Remark
1		1	1						Cylinder block		See ref 212/150
2	VOE479979	5							Plug		(VOE191026)
3	VOE13955083	2							Cap plug		(VOE955083)
4	VOE180761	1	1						Plug		
5	VOE7011996	1	1						Gasket		
6	VOE13948187	2							Plug		(VOE948187)
7	VOE13947625	2							Plane gasket		(VOE947625)
8	VOE479954	1	1						Nipple		(VOE7190130)
9	VOE949918	1	1						Crane		
10	VOE191171	2							Pin		(VOE7191171)
11	VOE467367	5							Plug		(VOE467649)
12	VOE1556907	5							Gasket		(VOE469328)
13	VOE422550	1	1						Fitting		
14	VOE468463	1	1						Gasket		
15	VOE14025455	12	12						Cylinder Pin		(VOE950543)
16	VOE13947814	1	1						Plug		(VOE947814)
17	VOE11039249	1	1						Pressure monitor		SE16
18	VOE479977	1	1						Plug		(952077)
19	VOE955082	1							Cap plug		
20		1	1				NS		Lifting eye		
21	VOE955561	2	2						Hexagon screw		
22	VOE940280	2	2						Spring washer		
23		1	1				NS		Lifting eye		
24	VOE955561	2	1						Hexagon screw		
25	VOE940280	2	2						Spring washer		
26		1	1				NS		Lifting eye		
27	VOE955561	2	2						Hexagon screw		
28	VOE940280	2	2						Spring washer		
29	VOE423120	2	2						Hatch		
30	VOE423121	1	1						Hatch		
31	VOE469823	3	3						Gasket		
32	VOE422541	6	6						Screw		
33	VOE471856	6	6						Sealing ring		
34	VOE422542	1	1						Splash plate		
35	VOE467090	1							Breather pipe		
36	VOE421158	1							Sealing ring		
37	VOE942402	2							Flange screw		
38	VOE927661	REQ							Rubber hose		L = 700 MM
39	VOE943475	1							Hose clamp		
40	VOE11104606	1							Retaining strap		SER NO - 1177 (4861704)
41	VOE422836		1				SS		Piston cooling valve		

42	VOE13949656		1					O-ring		(949656)
43	VOE424715		1					Plug		
44	VOE13949657		1					O-ring		(949657)
45	VOE424714		1					Flange		
46	VOE955513		2					Hexagon screw		
47	VOE13941906		2					Washer		(941906)
48	VOE864374		6					Piston cooling jet		
49	VOE13948587		6					Lock screw		(948587)
50			1					Hose		See ref 260/200
51	VOE943470		1					Hose clamp		

Date: 2014/2/28	Image id: AF381	Catalogue: 97702	Model: L150
Brand: Volvo BM	Serial: 1001-2080, 60000-60500	Group/Section: 212/150	Title: Cylinder block

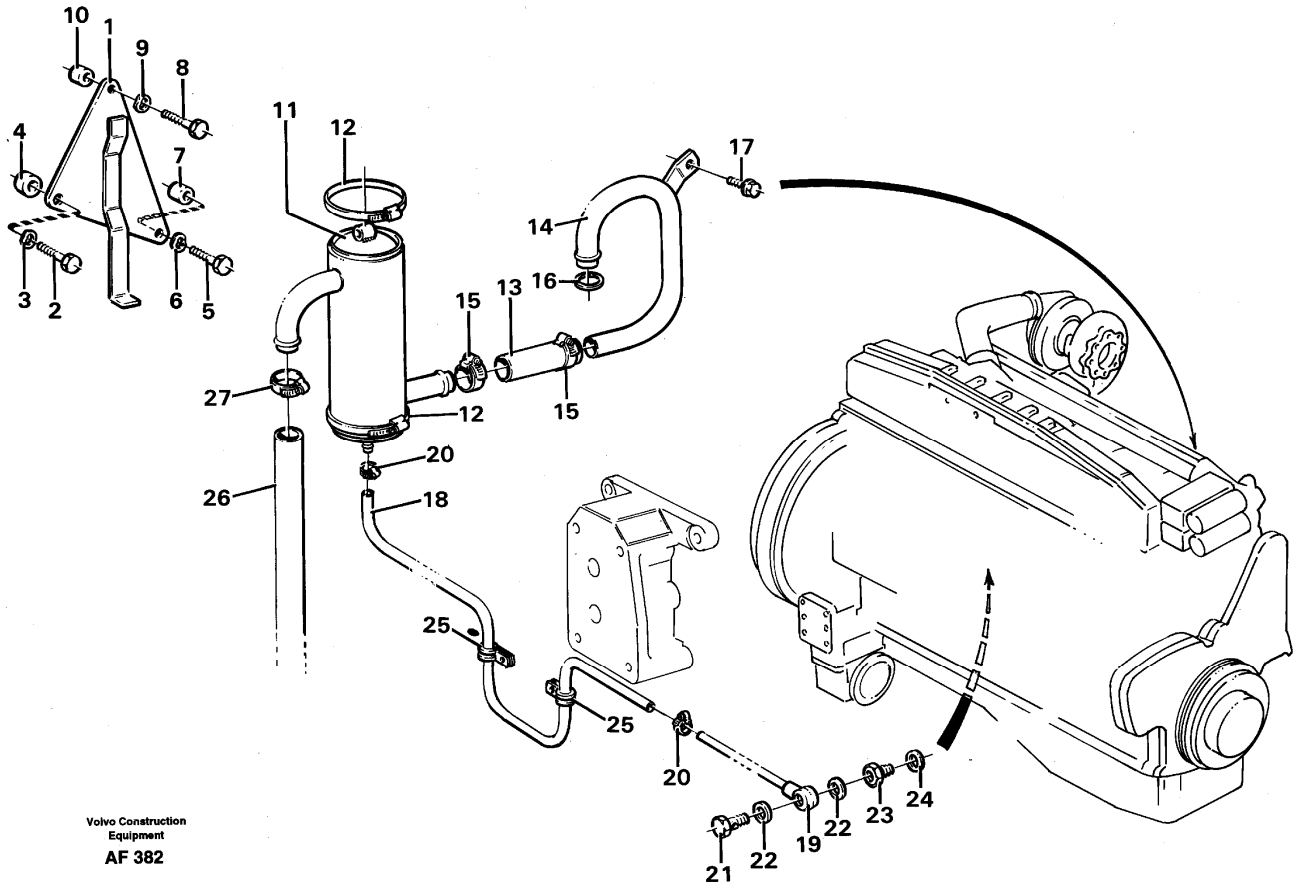


Q1-Q5	Option	Option description	
Q1 422870			
Q2 479752			

Pos	Part	Q1	Q2	Q3	Q4	Q5	PS	Kit	Description	Option(s)	Remark
	VOE422870	1					SS		Cylinder block		TD102 GC/KCE
	VOE479752		1				SS		Cylinder block		TD 103 KCE
1		1	1				NS		•Cylinder block		
2	VOE467630	1	1				NS		•Cap		
3	VOE422426	1	1						•Pin		
4	VOE7422067	14	14						•Screw		
5	VOE422076	1	1						•Bushing		
6	VOE422077	1	1						•Bushing		
7	VOE422078	1	1						•Bushing		
8	VOE11000014	1	1						•Bushing		
9	VOE422080	1	1						•Bushing		
10	VOE422081	1	1						•Bushing		
11	VOE422082	1	1						•Bushing		

12	VOE467367		5						•Plug		(467649)
13	VOE821335	1	1						•Plug		
14	VOE1556907	1	6						•Gasket		(469328, 468462)
15	VOE952075	1	1						•Plug		
16	VOE191171		2						•Pin		
17	VOE14025455		12						•Cylinder Pin		(950543)
18	VOE13955083		2						•Cap plug		(VOE955083)
19	VOE955082		4						•Cap plug		
20	VOE479979		7						•Plug		(191026)
21	VOE422369	2	7						•Plug		
22	VOE13961892		1						•Plug		(961892)
23	VOE13947621		1						•Plane gasket		
24	VOE468563		1				NS		•Tube assembly		
25	VOE421068	1	1				NS		•Tube assembly		
26	VOE424801		1						•Tube		
27	VOE13949657		1						•O-ring		(949657)
28	VOE424715		1						•Plug		
29	VOE424714		1						•Flange		
30	VOE955513		2						•Hexagon screw		
31	VOE13941906		2						•Washer		(941906)

Date: 2014/2/28	Image id: AF382	Catalogue: 97702	Model: L150
Brand: Volvo BM	Serial: 1001-2080, 60000-60500	Group/Section: 212/200	Title: Crankcase ventilation. TD 103 KCE



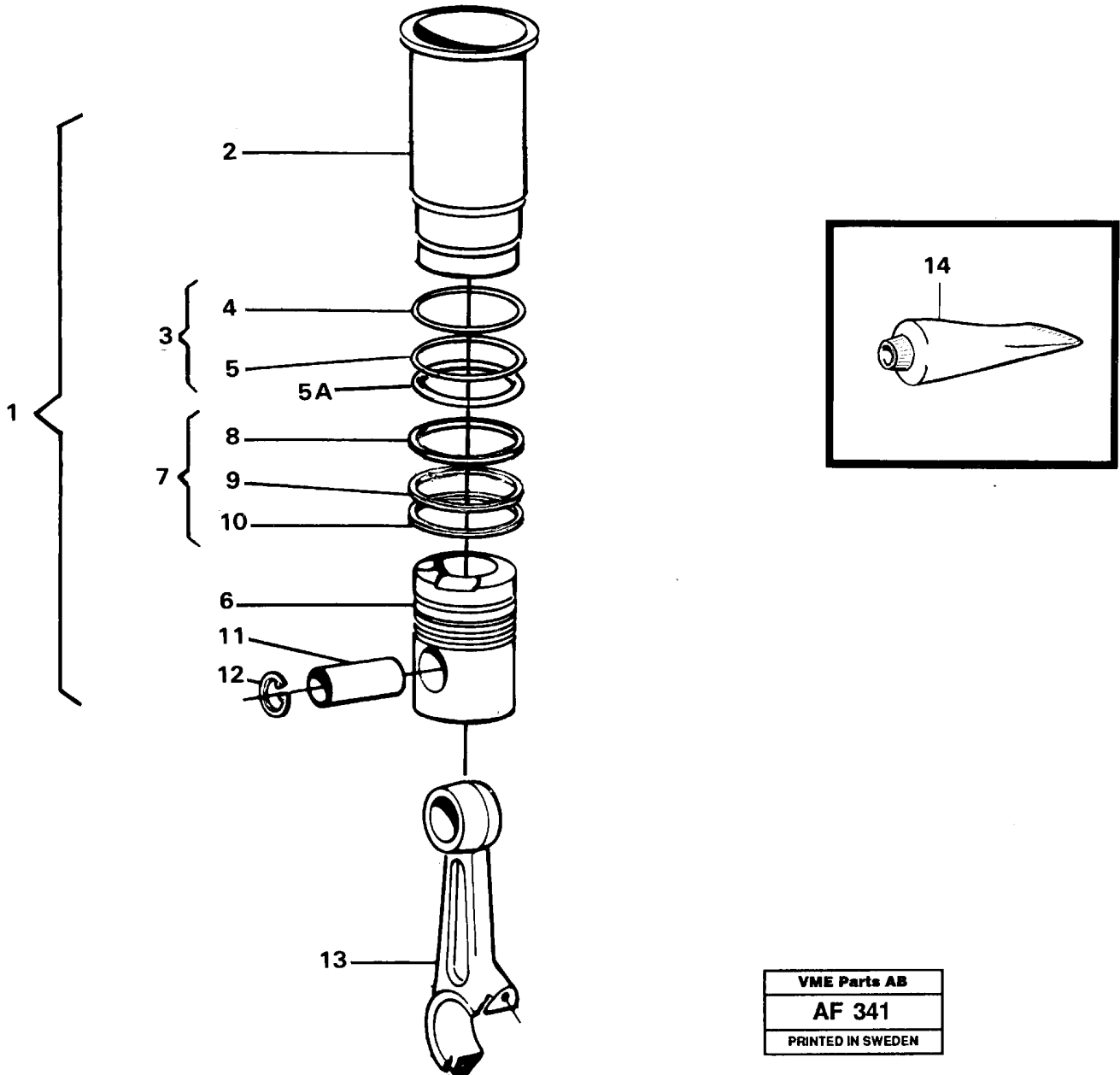
Pos	Part	Q1	Q2	Q3	Q4	Q5	PS	Kit	Description	Option(s)	Remark
1	VOE11031267	1							Bracket		
2	VOE955564	1							Hexagon screw		
3	VOE940280	1							Spring washer		
4	VOE1678297	1							Spacer sleeve		
5	VOE13940162	1							Screw		(940162)
6	VOE13942336	1							Spring washer		(942336)
7	VOE821540	1							Spacer sleeve		
8	VOE955536	1							Hexagon screw		
9	VOE13942336	1							Spring washer		(942336)
10	VOE824248	1							Spacer sleeve		
11	VOE11033878	1							Oil trap		
12	VOE943483	2							Hose clamp		
13	VOE11031930	1					SS		Hose		ENG - 288730
	VOE11031305	1							Hose		ENG 288731 -
14	VOE11031268	1					SS		Pipe		ENG - 288730

	VOE11031304	1							Tube		ENG 288731 -
15	VOE943476	2							Hose clamp		ENG - 288730
	VOE943475	2							Hose clamp		ENG 288731 -
16	VOE421158	1							Sealing ring		
17	VOE942402	1							Flange screw		
18	VOE983342	REQ							Hose		(VOE977316)L = 1000 MM
19	VOE837608	1							Fuel pipe		
20	VOE943470	2							Hose clamp		
21	VOE7025167	1							Hollow screw		
22	VOE13969011	2							Gasket		(969011)
23	VOE11031931	1							Reduction nipple		
24	VOE13947625	1							Plane gasket		(VOE18818)
25	VOE942810	2							Clamp		
26	VOE927661	REQ							Rubber hose		L = 700 MM
27	VOE943475	1							Hose clamp		

VOLVO

Construction Equipment

Date: 2014/2/28	Image id: AF341	Catalogue: 97702	Model: L150
Brand: Volvo BM	Serial: 1001-2080, 60000-60500	Group/Section: 213/100	Title: Cylinder liner



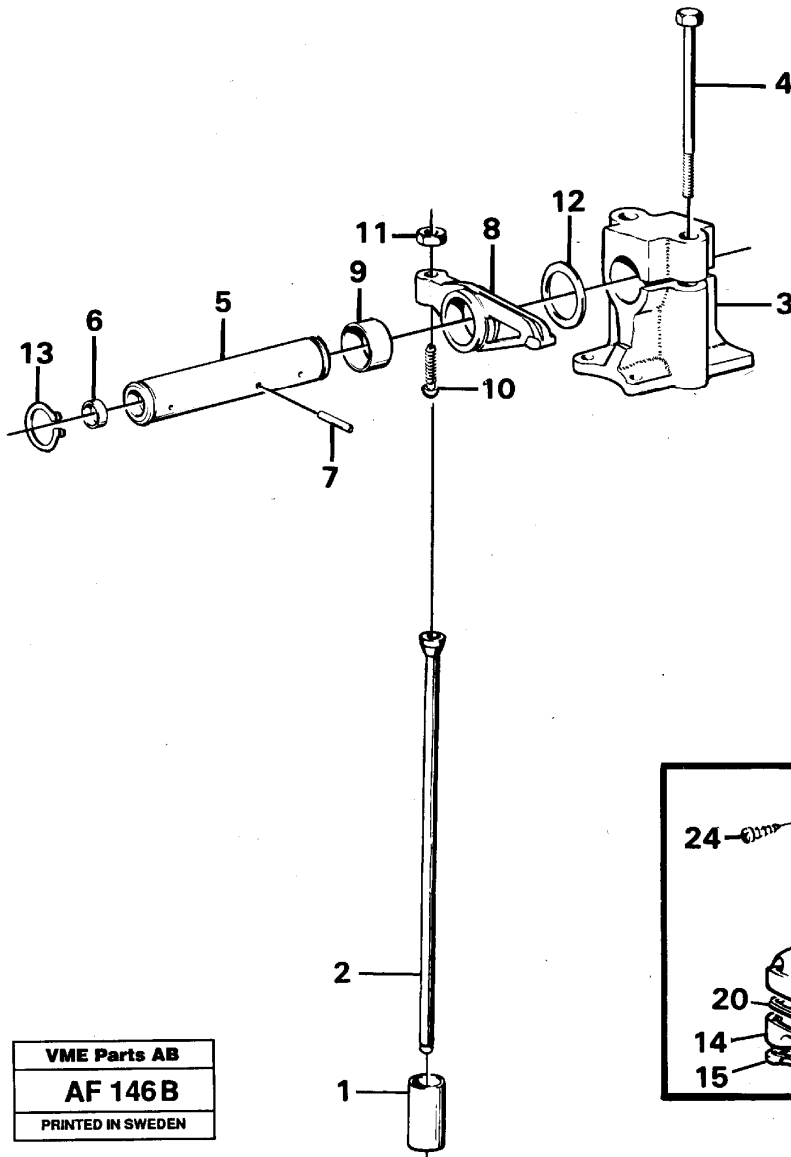
VME Parts AB
AF 341
PRINTED IN SWEDEN

Q1-Q5	Option	Option description	
Q1 TD 102 GC			
Q2 TD 102 KCE			
Q3 TD 103 KCE			

Pos	Part	Q1	Q2	Q3	Q4	Q5	PS	Kit	Description	Option(s)	Remark
1	VOE275630	6							Cylinder liner kit		

	VOE275638		6					Cylinder liner kit		
	VOE275647			6			SS	Cylinder liner kit		ENG - 280751
	VOE276859			6				Cylinder liner kit		ENG 280752 -
2		6	6	6			NS	•Cylinder liner		
3	VOE271157	6	6	6				•Sealing Kit		
4	VOE422713	6	6	6			NS	••Sealing ring		Upper / övre
5	VOE1546229	6	6	6			NS	••Sealing ring		Centre / mitten
5A	VOE424832	6	6	6			NS	••Sealing ring		Lower / nedre
6		6	6	6			NS	•Piston		
7	VOE275084	6	6					•Piston Ring Kit		
	VOE276197			6				•Piston Ring Kit		
8		6	6	6			NS	••Compression ring		
9		6	6	6			NS	••Compression ring		
10		6	6	6			NS	•••Oil scraper ring		
		6	6	6			NS	•••Expansion ring		
11	VOE8194539	6	6					•Piston Pin		(VOE479873)
	VOE8194586			6				•Piston Pin		(VOE479874)
12	VOE417466	12	12					•Lock Ring		
	VOE914529			12				•Snap Ring		
13		1	1	1				Connecting rod		See ref 216/100
14	VOE1161277	REQ	REQ	REQ				Sealant		20 GRAM
	VOE11713514	REQ	REQ	REQ				Sealant		(VOE1161231)304 ML

Date: 2014/2/28	Image id: AF146B	Catalogue: 97702	Model: L150
Brand: Volvo BM	Serial: 1001-2080, 60000-60500	Group/Section: 214/100	Title: Valve mechanism

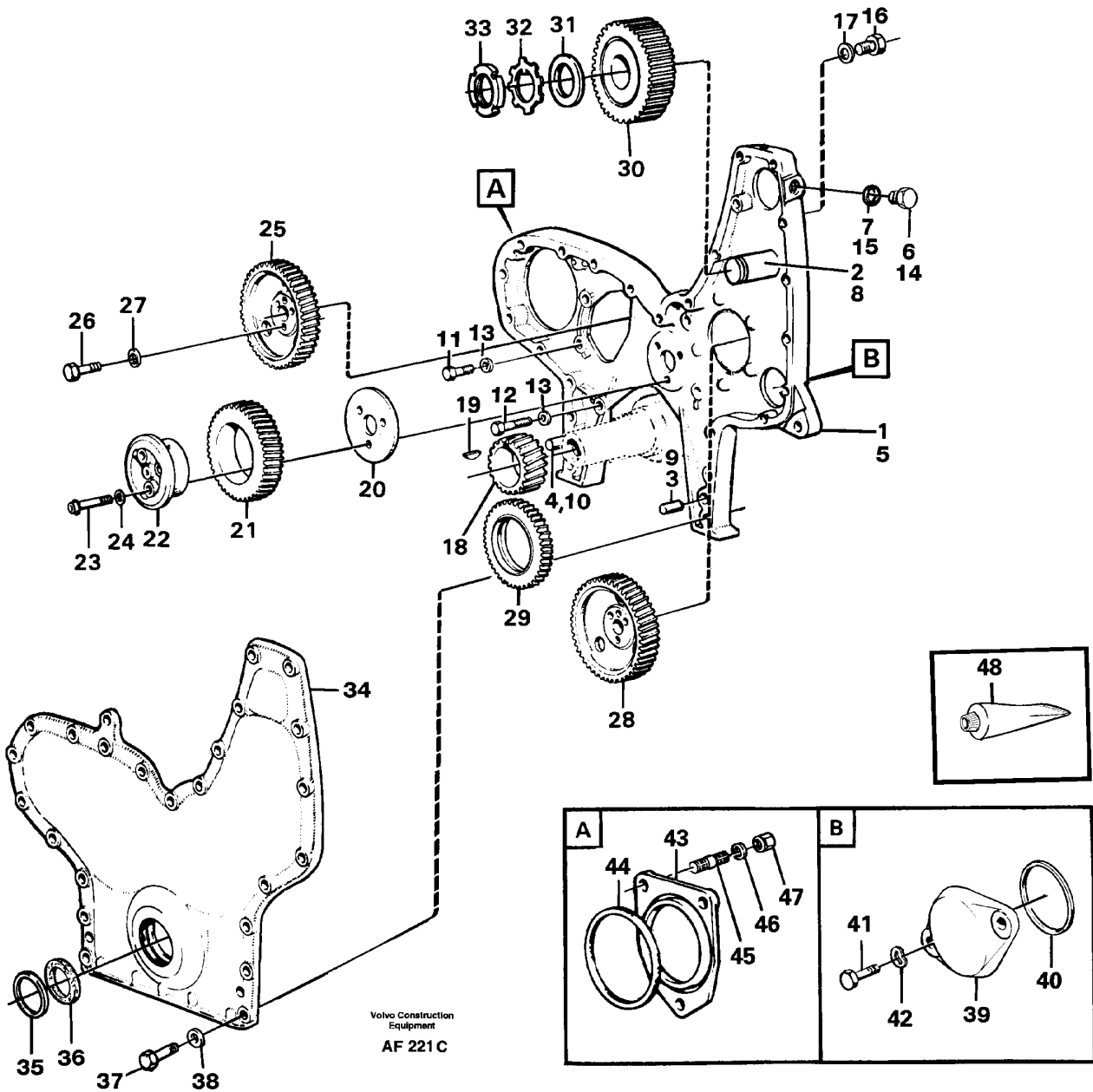


VME Parts AB
AF 146 B
PRINTED IN SWEDEN

Pos	Part	Q1	Q2	Q3	Q4	Q5	PS	Kit	Description	Option(s)	Remark
1	VOE479863	12							Tappet		(479031)
2	VOE467820	12							Push rod		(VOE467820)
3	VOE422018	6							Bearing Bracket		
4	VOE7422428	12							Screw		
5	VOE422019	6							Rocker arm shaft		
6	VOE946778	12							•Cap plug		
7	VOE950499	6							•Pin		
8	VOE422063	12							Rocker arm		

9	VOE422066	12							•Bushing		
10	VOE422993	12							•Bolt		
11	VOE940175	12							•Nut		
12	VOE941488	12							Washer		
13	VOE914459	12							Retaining ring		
14	VOE469431	6							Cover		
15	VOE424693	6							Gasket		
16	VOE13940159	12							Screw		(940159)
17	VOE13955894	12							Washer		(955894)
18	VOE469432	5							Cover		
19	VOE469457	1							Cover		
20	VOE424694	6							Gasket		
21	VOE955530	24							Hexagon screw		
22	VOE13941907	24							Washer		(941907)
23	VOE421753	1							Filler cap		
24	VOE955126	3							•Cross recessed screw		
25	VOE1275379	1							Gasket		(VOE940096)
26	VOE417649	1							Sign		

Date: 2014/2/28	Image id: AF221C	Catalogue: 97702	Model: L150
Brand: Volvo BM	Serial: 1001-2080, 60000-60500	Group/Section: 215/100	Title: Timing gear casing and gears. TD 102 GC / KCE

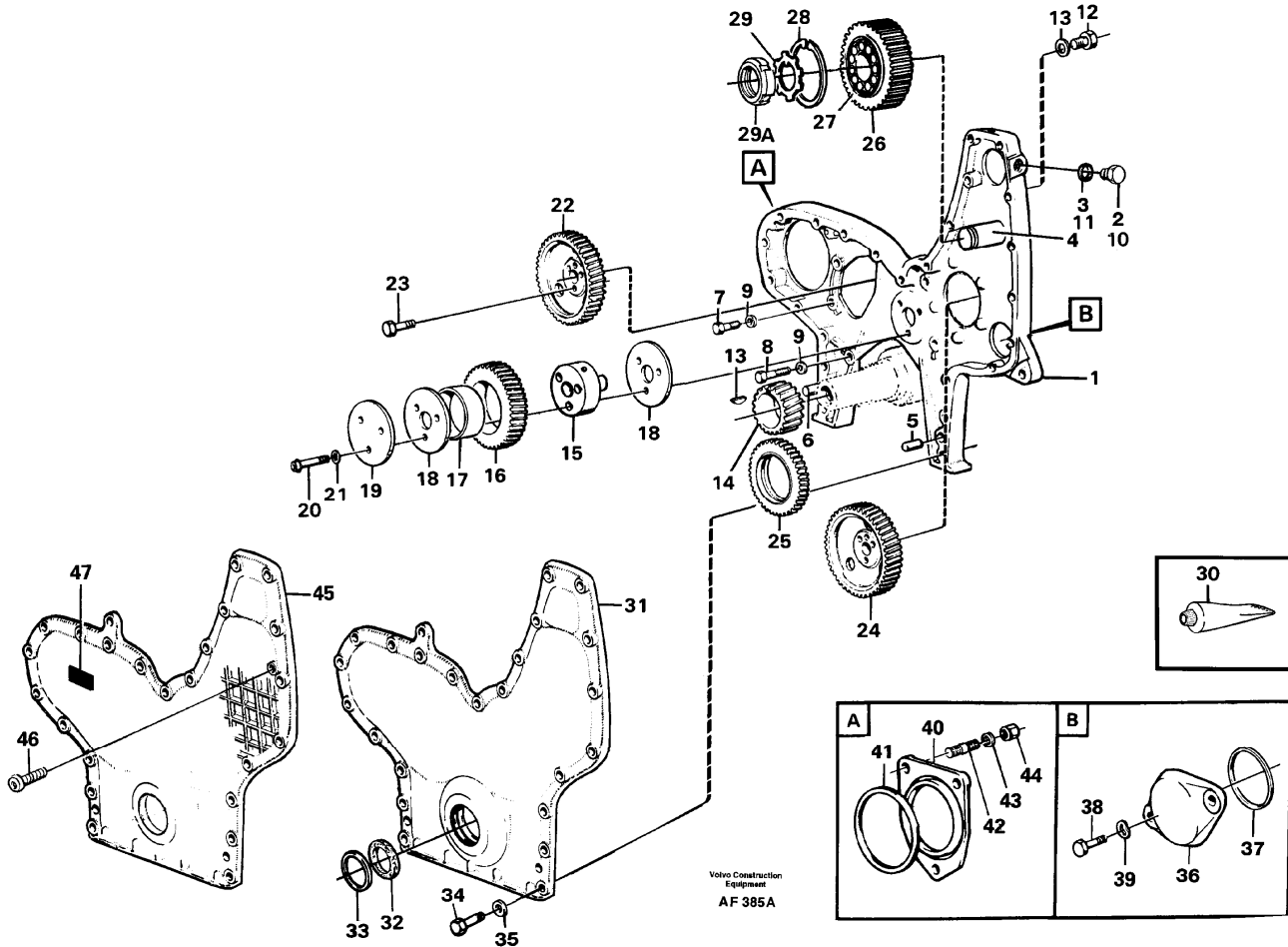


Pos	Part	Q1	Q2	Q3	Q4	Q5	PS	Kit	Description	Option(s)	Remark
1	VOE470646	1					OP		Timing gear casing		ENG - 234708
2	VOE470219	1					SS		•Pin		
3	VOE13941510	1							•Pin		(VOE941510)
4	VOE13941511	1							•Pin		(VOE941511)

5	VOE479666	1					SS		Timing gear casing		ENG 234709 -
	VOE8194639	1							Timing gear casing		
6	VOE13960633	2							•Plug		(960633)
7	VOE13947625	2							•Plane gasket		(947625)
8	VOE470219	1					SS		•Pin		
	VOE8194626	1							•Pin		
9	VOE13941510	1							•Pin		
10	VOE13941511	1							•Pin		
11	VOE941939	4							Screw		L = 29 MM
12	VOE955537	1							Hexagon screw		L = 51 MM
13	VOE13942336	5							Spring washer		(VOE942336)
14	VOE13960633	1							Plug		(VOE960633)
15	VOE13947625	1							Plane gasket		(VOE947625)
16	VOE7192114	1							Plug		
17	VOE13947627	1							Plane gasket		(VOE947627)
18		1							Crankshaft gear		See ref 216/100
19		1							Key		See ref 216/100
20	VOE478951	1							Thrust washer		(VOE467529)
21	VOE467461	1							Idler gear		
22	VOE11704619	1							Axle		(422766)
23	VOE468738	3							Screw		
24	VOE942180	3							Disc spring		
25	VOE478297	1							Gear		See ref 215/200
26	VOE940128	3							Hexagon screw		ENG - 251530
	VOE471555	3							Screw		ENG 251531 -
27	VOE13942336	3							Spring washer		ENG - 251530, (942336)
28		1							Gear, injection pump		See ref 236/150
29		1							Drive gear		See ref 221/100
30	VOE470231	1							Gear		
31	VOE470427	1							Wear ring		
32	VOE907024	1							Lock washer		
33	VOE906634	1							Round nut		
34	VOE11031091	1							Cover		
35	VOE424983	1							•Sealing ring		
36	VOE941666	1							•Sealing ring		
37	VOE13940162	9							Screw		L = 38 MM, (940162)
	VOE955540	1							Hexagon screw		L = 70 MM
	VOE955542	8							Hexagon screw		L = 83 MM
38	VOE13942336	19							Spring washer		(VOE942336)
39	VOE468093	1							Cover		
40	VOE468094	1							Sealing ring		
41	VOE955535	2							Hexagon screw		
42	VOE13942336	2							Spring washer		(VOE942336)
43	VOE420178	1							Cover		
44	VOE13975610	1							O-ring		

45	VOE953346	3							Stud		(VOE955828)
46	VOE941911	3							Spring washer		
47	VOE13955828	3							Nut		
48	VOE1161277	REQ							Sealant		20 GRAM
	VOE11713514	REQ							Sealant		(VOE1161231)304 ML

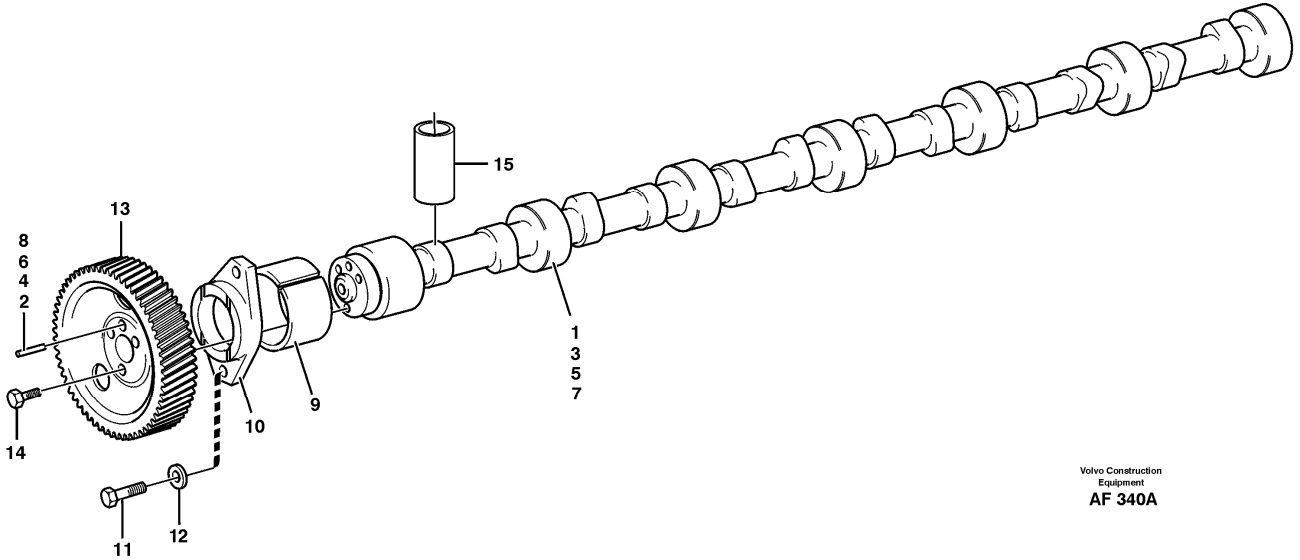
Date: 2014/2/28	Image id: AF385A	Catalogue: 97702	Model: L150
Brand: Volvo BM	Serial: 1001-2080, 60000-60500	Group/Section: 215/150	Title: Timing gear casing and gears. TD 103 KCE



Pos	Part	Q1	Q2	Q3	Q4	Q5	PS	Kit	Description	Option(s)	Remark
1	VOE479666	1					SS		Timg Gear Casing		
	VOE8194639	1							Timg Gear Casing		
2	VOE13960633	2							•Plug		(960633)
3	VOE13947625	2							•Plane Gasket		(947625)
4	VOE8194626	1							•Pin		
5	VOE13941510	1							•Pin		(941510)
6	VOE13941511	1							•Pin		(941511)
7	VOE941939	4							Screw		
8	VOE955537	1							Screw		
9	VOE13942336	5							Spring Washer		(942336)
10	VOE13960633	1							Plug		(960633)
11	VOE13947625	1							Plane Gasket		

12	VOE7192114	1						Plug		
13	VOE13947627	1						Plane Gasket		(947627)
14		1						Crankshaft gear		See ref 216/100
15	VOE8192636	1						Bearing spindle		(VOE479779)
16	VOE479653	1						Idler Gear		
17	VOE479687	1						•Bushing		
18	VOE478951	2						Thrust Washer		
19	VOE478954	1						Bearing Shield		
20	VOE468738	3						Screw		
21	VOE942180	3						Disc Spring		
22	VOE478297	1						Gear		See ref 215/200
23	VOE471555	3						Screw		
24		1						Gear, injection pump		See ref 236/175
25		1						Drive gear		See ref 221/150
	VOE478959	1						Idler Gear		
26	VOE478773	1				OP		•Idler Gear		
27	VOE478783	1						•Bearing		
28	VOE914532	1						•Snap Ring		
29	VOE907024	1						Lock Washer		
29A	VOE478955	1						Round Nut		
30	VOE1161277	REQ						Sealant		20 GRAM
	VOE11713514	REQ						Sealant		(VOE1161231)304 ML
31	VOE11031091	1						Cover		
32	VOE941666	1						•Felt Ring		
33	VOE424983	1						•Sealing ring		
34	VOE13940162	9						Screw		L = 38 MM, (940162)
	VOE955540	2						Screw		L = 70 MM
	VOE955542	8						Screw		L = 83 MM
35	VOE13942336	19						Spring Washer		(942336)
36	VOE468093	1						Cover		
37	VOE468094	1						Sealing ring		
38	VOE955535	2						Hexagon screw		
39	VOE13942336	2						Spring Washer		(942336)
40	VOE420178	1						Cover		
41	VOE13975610	1						O-ring		(975610)
42	VOE953346	3						Stud		
43	VOE941911	3						Spring Washer		
44	VOE13955828	3						Nut		(955828)
45	VOE479652	1						Noise Shield		
46	VOE13972542	16						•Screw		(VOE972541)
47	VOE11033983	1				OP		Label		

Date: 2014/2/28	Image id: AF340A	Catalogue: 97702	Model: L150
Brand: Volvo BM	Serial: 1001-2080, 60000-60500	Group/Section: 215/200	Title: Camshaft



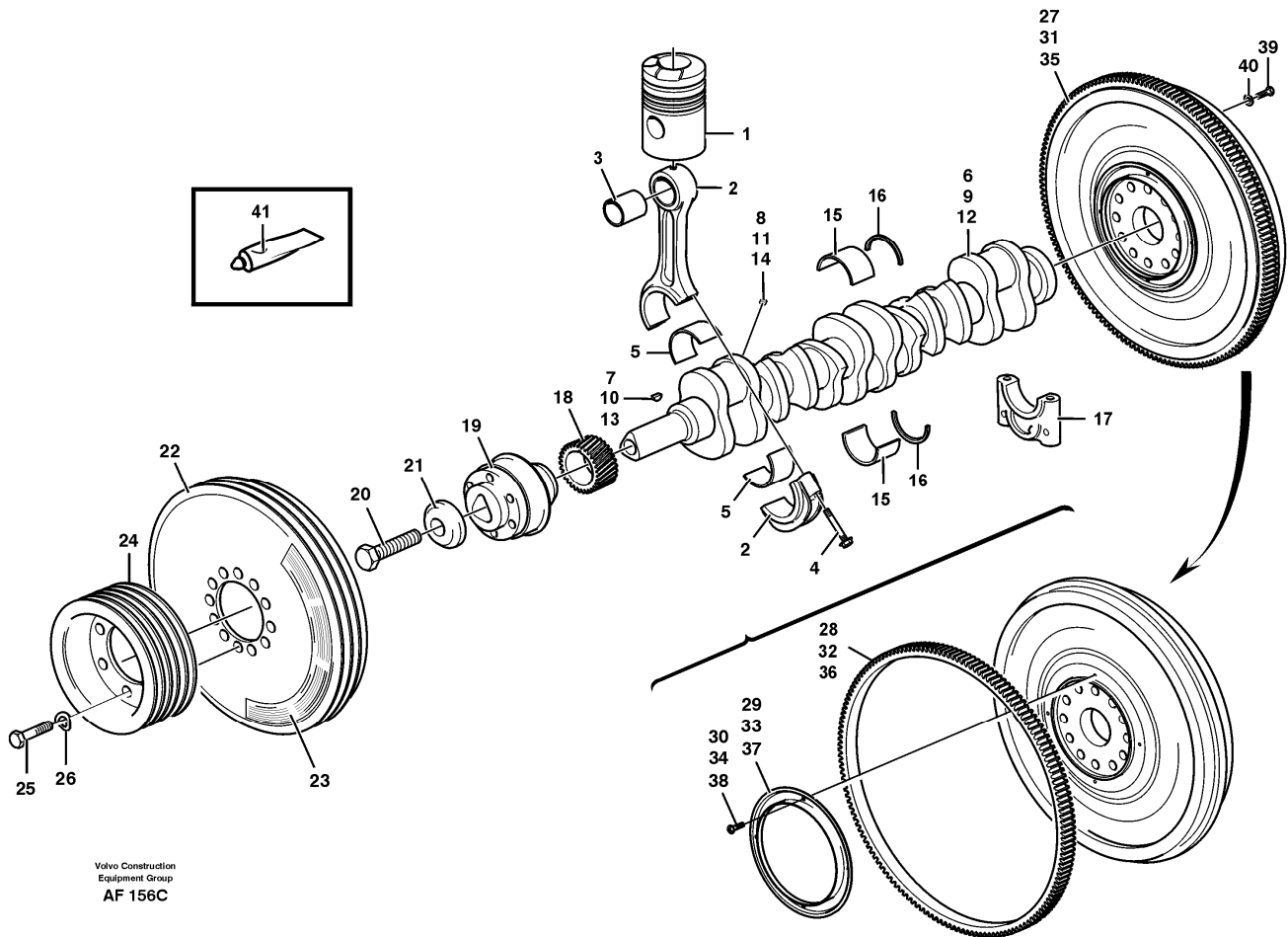
Volvo Construction
Equipment
AF 340A

Q1-Q5	Option	Option description	
Q1 TD 102 GC / KCE			
Q2 TD 103 KCE			

Pos	Part	Q1	Q2	Q3	Q4	Q5	PS	Kit	Description	Option(s)	Remark
1	VOE1545071	1					SS		Camshaft		ENG - 250428
2	VOE950588	1							•Pin		
3	VOE479450	1					SS		Camshaft		ENG 250429 -
4	VOE950588	1							•Pin		
5	VOE8194480		1						Camshaft		(VOE479610)ENG - 290422
6	VOE950588		1						•Pin		
7	VOE8194480		1						Camshaft		ENG 290423 -
8	VOE950588		1						•Pin		
9		7	7						Bushing		See ref 212/150
10	VOE465789	1	1						Flange		(VOE469324)
11	VOE13940115	2	2						Screw		(940115)
12	VOE13942336	2	2						Spring washer		(942336)
13		1	1						Camshaft gear		See ref 215/100
											See ref 215/150
14		3	3						Screw		See ref 215/100
											See ref 215/150

15		12	12						Tappet		See ref 214/100
----	--	----	----	--	--	--	--	--	--------	--	-----------------

Date: 2014/2/28	Image id: AF156C	Catalogue: 97702	Model: L150
Brand: Volvo BM	Serial: 1001-2080, 60000-60500	Group/Section: 216/100	Title: Crankshaft and related parts



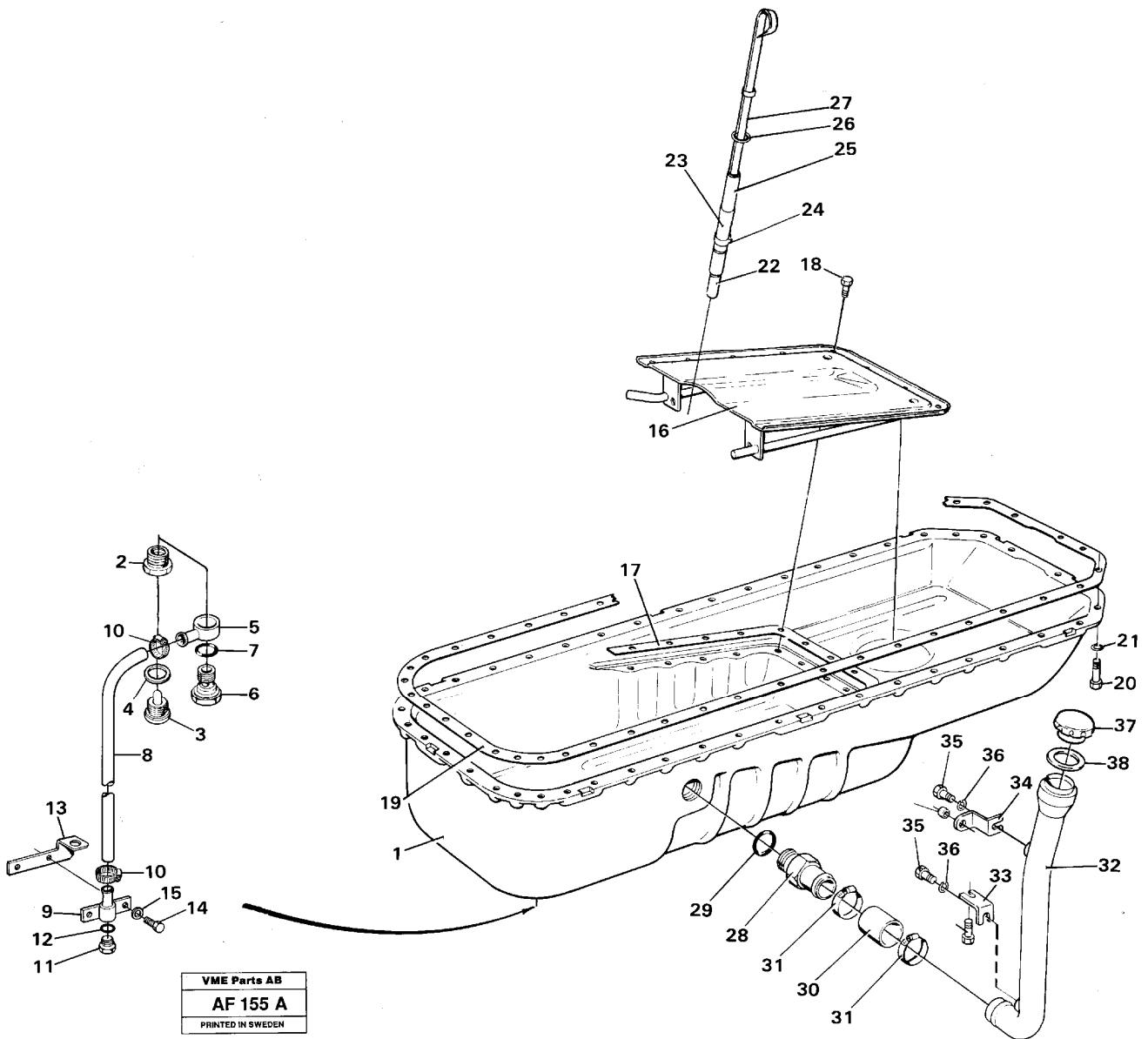
Q1-Q5	Option	Option description	
Q1 TD 102 GC / KCE			
Q2 TD 103 KCE			

Pos	Part	Q1	Q2	Q3	Q4	Q5	PS	Kit	Description	Option(s)	Remark
1		6	6						Piston		See ref 213/100
2	VOE1545299	6							Connecting Rod		
	VOE422706		6						Connecting Rod		
3	VOE1545302	6							•Bushing		
	VOE422708		6						•Bushing		
4	VOE1545479	12	12						•Screw		
5	VOE270124	6	6						Big End Brg Kit		STD
	VOE270125	6	6						Big End Brg Kit		0,25 MM U SZ

	VOE270126	6	6						Big End Brg Kit		0,50 MM U SZ
	VOE270127	6	6						Big End Brg Kit		0,75 MM U SZ
	VOE270128	6	6						Big End Brg Kit		1,00 MM U SZ
6	VOE8194490	1						SS	Crankshaft		ENG - 278924 (1545657)
7	VOE422253	1							•Key		(VOE7422253)
8	VOE13978130	1							•Plug		
9	VOE20381957	1							Crankshaft		(VOE8194304)ENG 278925 -
10	VOE422253	1							•Key		
11	VOE13978130	1							•Plug		
12	VOE20381957		1						Crankshaft		(VOE8194456) (8194304)
13	VOE422253		1						•Key		
14	VOE13978130		1						•Plug		
15	VOE270438	7	7						Mn Bearing Kit		STD
	VOE270439	7	7						Mn Bearing Kit		0,010" U SZ
	VOE270440	7	7						Mn Bearing Kit		0,020" U SZ
	VOE270441	7	7						Mn Bearing Kit		0,030" U SZ
	VOE270442	7	7						Mn Bearing Kit		0,040" U SZ
	VOE270443	7	7						Mn Bearing Kit		0,050" U SZ
16	VOE276758	1	1						Thr Washer Kit		STD, (7276758)
	VOE276759	1	1						Thr Washer Kit		0,1 MM O SZ, (7276759)
	VOE276760	1	1						Thr Washer Kit		(VOE7276760)0,2 MM O SZ
	VOE276761	1	1						Thr Washer Kit		0,3 MM O SZ, (7276761)
17		7	7					NS	Cap		
18	VOE423080	1	1						Gear		
19	VOE478506	1	1					SS	Hub		
20	VOE941494	1	1						Screw		
21	VOE422124	1	1						Washer		
22	VOE1545668	1							Vib Damper		
	VOE422924		1						Vib Damper		
23	VOE467834	1	1						Sign		
24	VOE1545284	1	1						Pulley		
25	VOE955550	6	6						Hexagon screw		
26	VOE13941909	6	6						Washer		(VOE941909)
27	VOE11031154	1							Flywheel		ENG - 278924
28	VOE420794	1							•Gear Ring		
29	VOE11031772	1							•Oil Dftr Ring		
30	VOE13905650	4							•Drive Screw		(905650)
31	VOE11031833	1							Flywheel		ENG 278925 -
32	VOE420794	1							•Gear Ring		
33	VOE11031772	1							•Oil Dftr Ring		
34	VOE13905650	4							•Drive Screw		(905650)
35	VOE11031833		1						Flywheel		

36	VOE420794		1						•Gear Ring		
37	VOE11031772		1						•Oil Dftr Ring		
38	VOE13905650		4						•Drive Screw		(905650)
39	VOE478717	10							Screw		ENG - 278924
	VOE478717	14							Screw		ENG 278925 -
	VOE478717		14						Screw		
40	VOE467773	10							Washer		ENG - 278924
	VOE467773	14							Washer		ENG 278925 -
	VOE467773		14						Washer		
41	VOE1161277	REQ	REQ						Sealant		20 GRAM
	VOE11713514	REQ	REQ						Sealant		(VOE1161231)304 ML

Date: 2014/2/28	Image id: AF155A	Catalogue: 97702	Model: L150
Brand: Volvo BM	Serial: 1001-2080, 60000-60500	Group/Section: 217/100	Title: Oil sump

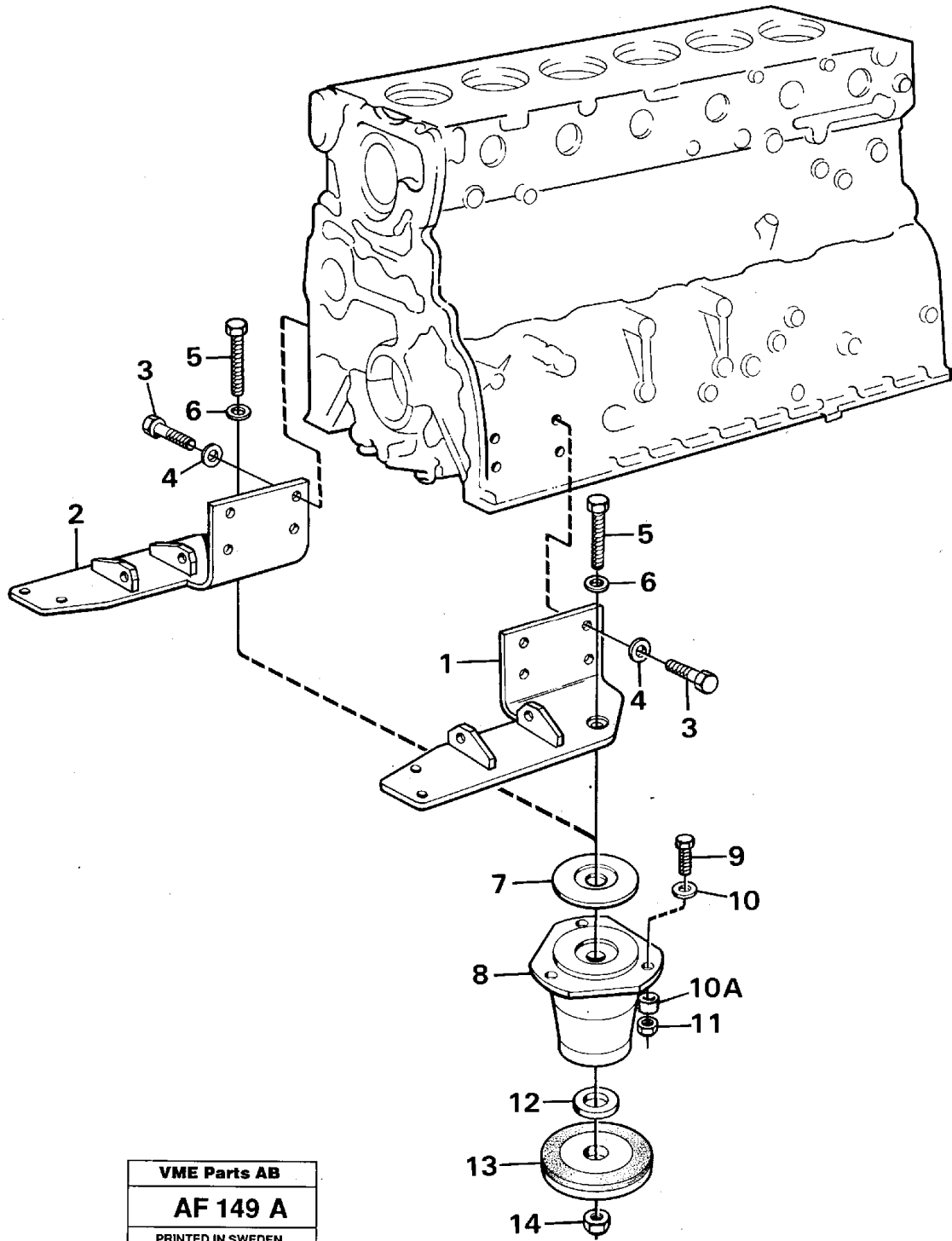


Q1-Q5	Option	Option description	
Q1 TD 102 GC / KCE			
Q2 TD 103 KCE			

Pos	Part	Q1	Q2	Q3	Q4	Q5	PS	Kit	Description	Option(s)	Remark
1	VOE11031046	1	1						Oil pan		
2	VOE4771546	1	1						•Nipple		
3	VOE13949175	1	1						Magnetic plug		

4	VOE949329	1	1					Gasket		
5	VOE4761859	1	1					Oil draining pipe		
6	VOE11024182	1	1					Hollow screw		
7	VOE13955997	2	2					O-ring		(VOE955997)
8	VOE13961191	REQ	REQ					Hydraulic hose		L = 450 MM
9	VOE4850236	1	1					Nipple		
10	VOE13943472	2	2					Hose clamp		(VOE943472)
11	VOE926370	1	1					Plug		
12	VOE958225	1						O-ring		
	VOE958225		1					O-ring		SER NO - 2455 SER NO - 60667 USA
	VOE13949574		1					O-ring		SER NO 2456 - SER NO 60668 - USA
13		1	1				NS	Bracket		See ref 491/100
14	VOE13955295	2	2					Screw		(VOE955295)
15	VOE13941907	2	2					Washer		(VOE941907)
16	VOE11031094	1					OP	Baffle plate		
	VOE11031240		1					Baffle plate		
17	VOE11031009	1	1					Gasket		
18	VOE942402	12						Flange screw		
	VOE942402		11					Flange screw		
19	VOE1545696	1	1					Gasket		(VOE11031047)
20	VOE955525		1					Hexagon screw		L = 25 MM
	VOE13940159	2	2					Screw		L = 32 MM, (940159)
	VOE940186	38						Hexagon screw		L = 38 MM
	VOE940186		39					Hexagon screw		L = 38 MM
21	VOE13955894	40	40					Washer		
22	VOE4776407	1						Tube		
	VOE4772103		1					Tube		
23	VOE13946652	REQ						Hose		L = 50 MM
24	VOE13943472	1						Hose clamp		(VOE943472)
25	VOE4776671	1						Oil pipe		
26	VOE955982	1						O-ring		
27	VOE823018	1						Dipstick		
	VOE4772191		1					Dipstick		
28	VOE4776353	1	1					Nipple		
29	VOE925064	1	1					O-ring		
30	VOE942711	REQ	REQ					Hose		L = 45 MM
31	VOE943478	2	2					Hose clamp		
32	VOE822885	1	1					Filler pipe		
33	VOE4776924	1	1					Bracket		
34	VOE822890	1	1					Anchorage		
35	VOE955525	3						Hexagon screw		
	VOE13955523		2					Screw		(955523)
36	VOE13941907	2	2					Washer		(VOE941907)
37	VOE3547599	1	1				SS	Oil filler cap		(421753)
38	VOE1275379	1	1					•Gasket		(VOE940096)

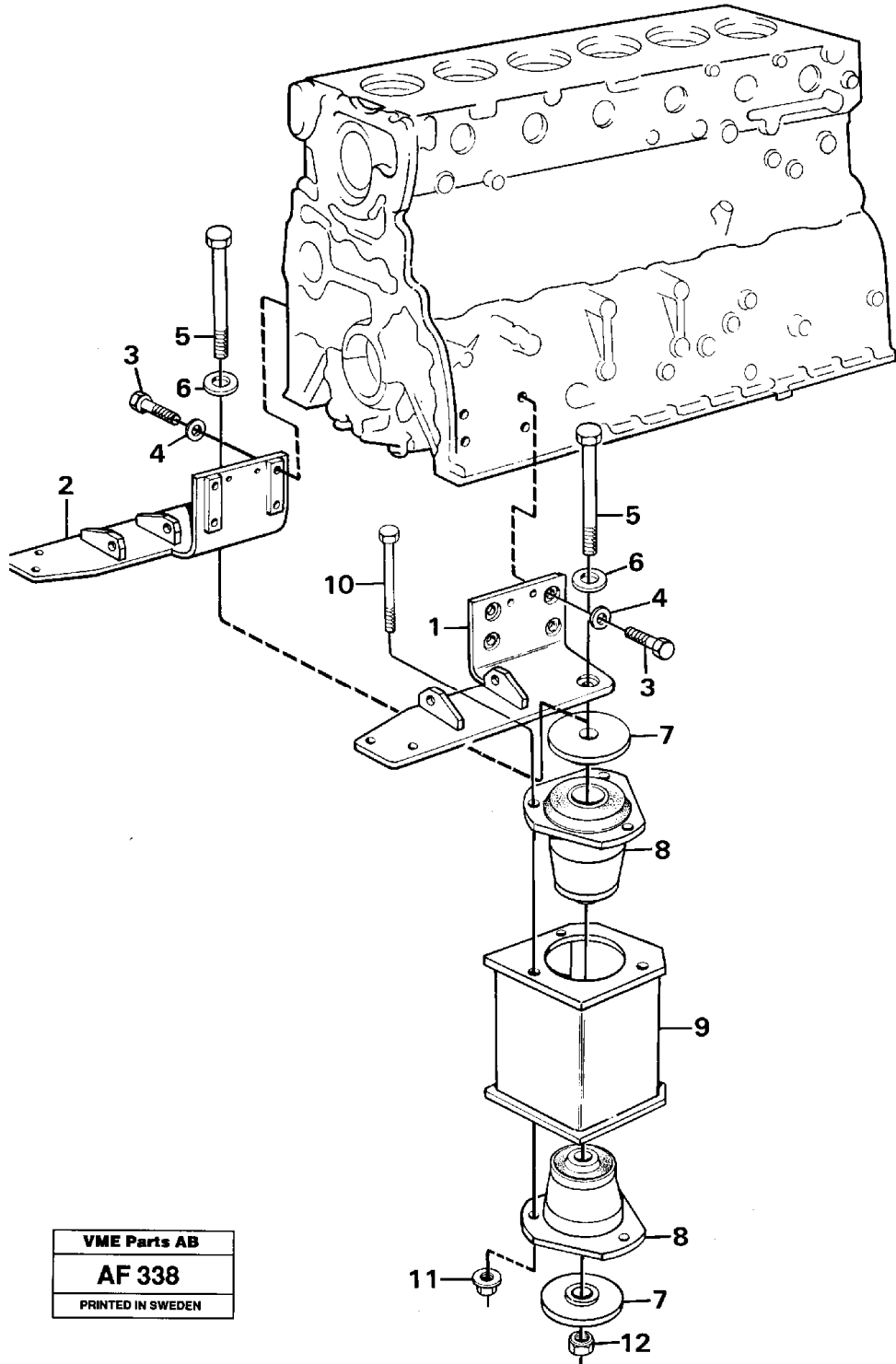
Date: 2014/2/28	Image id: AF149A	Catalogue: 97702	Model: L150
Brand: Volvo BM	Serial: 1001-2080, 60000-60500	Group/Section: 218/100	Title: Engine suspension. SER NO - 1667 / SER NO - 60277 USA



Pos	Part	Q1	Q2	Q3	Q4	Q5	PS	Kit	Description	Option(s)	Remark
-----	------	----	----	----	----	----	----	-----	-------------	-----------	--------

1	VOE11024271	1							Anchorage		RH
2	VOE11024272	1							Anchorage		LH
3	VOE955581	8							Hexagon screw		
4	VOE930844	8							Washer		
5	VOE955398	2							Hexagon screw		
6	VOE11055609	2							Washer		(VOE930850)
7	VOE11023744	2							Washer		
8	VOE4880352	2							Rubber Damper		
9	VOE13970974	6							Hexagon screw		(970974)
10	VOE13955897	6							Washer		(VOE955897)
10A	VOE11025923	6							Spacer		
11	VOE971099	6							Flange Lock Nut		(VOE13971099) (971099)
12	VOE4930062	2							Spacer Washer		
13	VOE11023735	2							Rubber Damper		
14	VOE955786	2							Hexagon Nut		

Date: 2014/2/28	Image id: AF338	Catalogue: 97702	Model: L150
Brand: Volvo BM	Serial: 1001-2080, 60000-60500	Group/Section: 218/150	Title: Engine suspension. SER NO 1668 - / SER NO 60278 - USA

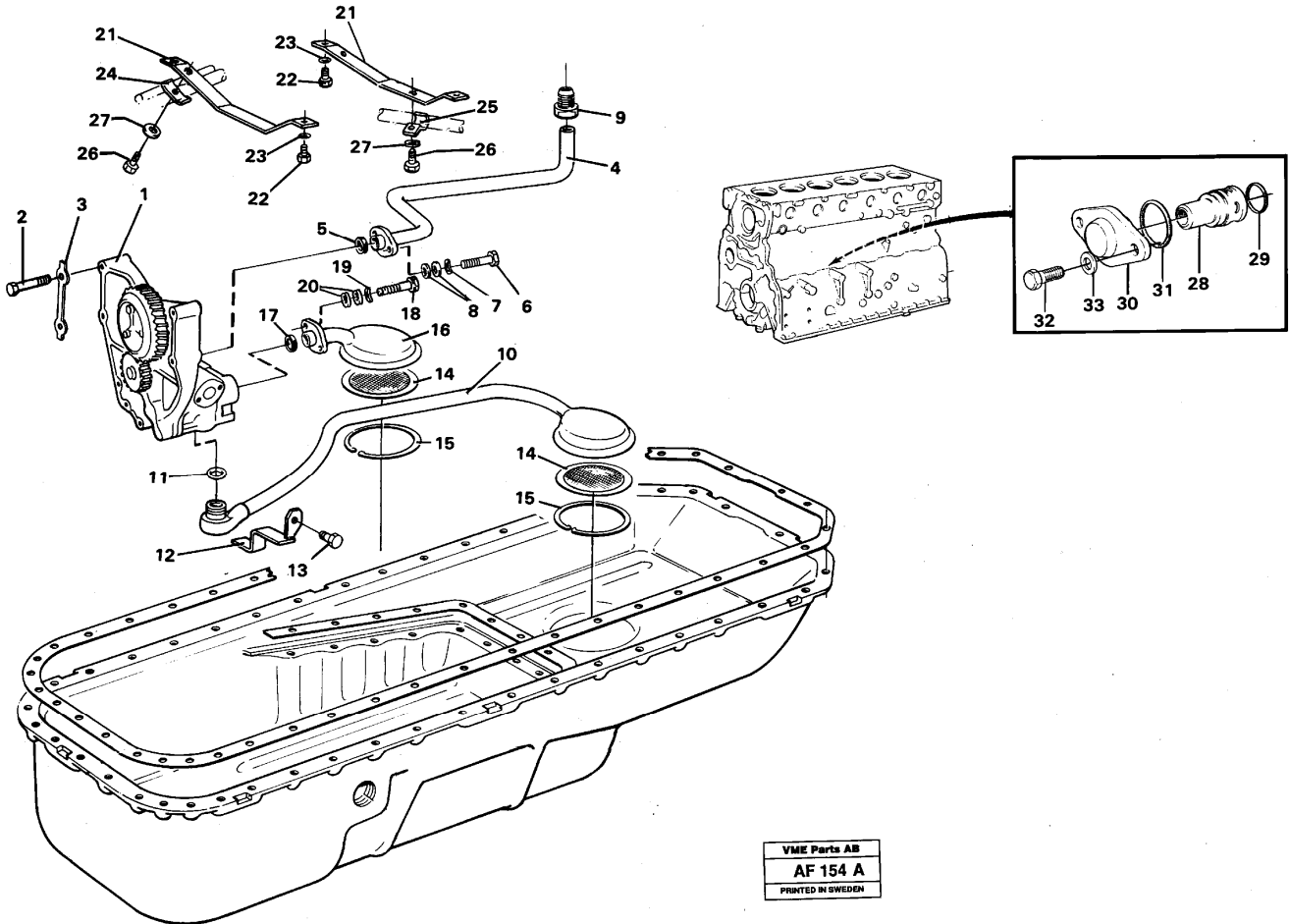


VME Parts AB
AF 338
PRINTED IN SWEDEN

Pos	Part	Q1	Q2	Q3	Q4	Q5	PS	Kit	Description	Option(s)	Remark
-----	------	----	----	----	----	----	----	-----	-------------	-----------	--------

1	VOE11024271	1							Anchorage		RH
2	VOE11024272	1							Anchorage		LH
3	VOE955581	8							Hexagon screw		
4	VOE930844	8							Washer		
5	VOE13980047	2							Screw		L = 220 MM, (980047)
6	VOE11055609	2							Washer		(VOE930850)
7	VOE11075815	4							Washer		
8	VOE4880352	4							Rubber Damper		
9	VOE11026598	2					SS		Spacer		
10	VOE970988	6							Hexagon screw		(VOE13970988)L = 160 MM, (970988)
11	VOE971099	6							Flange Lock Nut		(VOE13971099) (971099)
12	VOE948835	2							Lock nut		

Date: 2014/2/28	Image id: AF154A	Catalogue: 97702	Model: L150
Brand: Volvo BM	Serial: 1001-2080, 60000-60500	Group/Section: 221/100	Title: Lubricating system. TD 102 GC / KCE



Pos	Part	Q1	Q2	Q3	Q4	Q5	PS	Kit	Description	Option(s)	Remark
1	VOE821120	1							Oil pump		See ref 221/200
2	VOE955538	4							Hexagon screw		
3	VOE13942336	4							Spring washer		(VOE942336)
4	VOE4776573	1					OP		Oil pipe		
5	VOE13949656	1							O-ring		
6	VOE959795	2							Hexagon screw		
7	VOE13941907	2							Washer		(VOE941907)
8	VOE13955894	4							Washer		(VOE955894)
9	VOE466907	1							Nipple		
10	VOE4776342	1					OP		Suction pipe		
11	VOE13949656	1							O-ring		(VOE949656)
12	VOE4776475	1							Bracket		
13	VOE942402	1							Flange screw		

14	VOE403483	2							Wire gauze		
15	VOE118123	2							Retaining ring		
16	VOE11031098	1							Oil strainer		
17	VOE13949657	1							O-ring		(VOE949657)
18	VOE959795	2							Hexagon screw		
19	VOE13941907	2							Washer		(VOE941907)
20	VOE13955894	4							Washer		(VOE955894)
21	VOE4776859	2					OP		Support		
22	VOE955524	4							Hexagon screw		L = 19 MM
23	VOE13941907	4							Washer		(VOE941907)
24	VOE4776352	1							Clamp		
25	VOE945605	1							Clamp		
26	VOE13940159	2							Screw		L = 31 MM, (940159)
27	VOE13941907	2							Washer		(VOE941907)
28	VOE471706	1							Reduction valve		
29	VOE469846	1							Sealing ring		
30	VOE471752	1							Cover		
31	VOE949658	1							O-ring		
32	VOE940100	2							Hexagon screw		
33	VOE13949607	2							Washer		(VOE949607)



Suggest:

For more complete manuals. Please go to the home page.

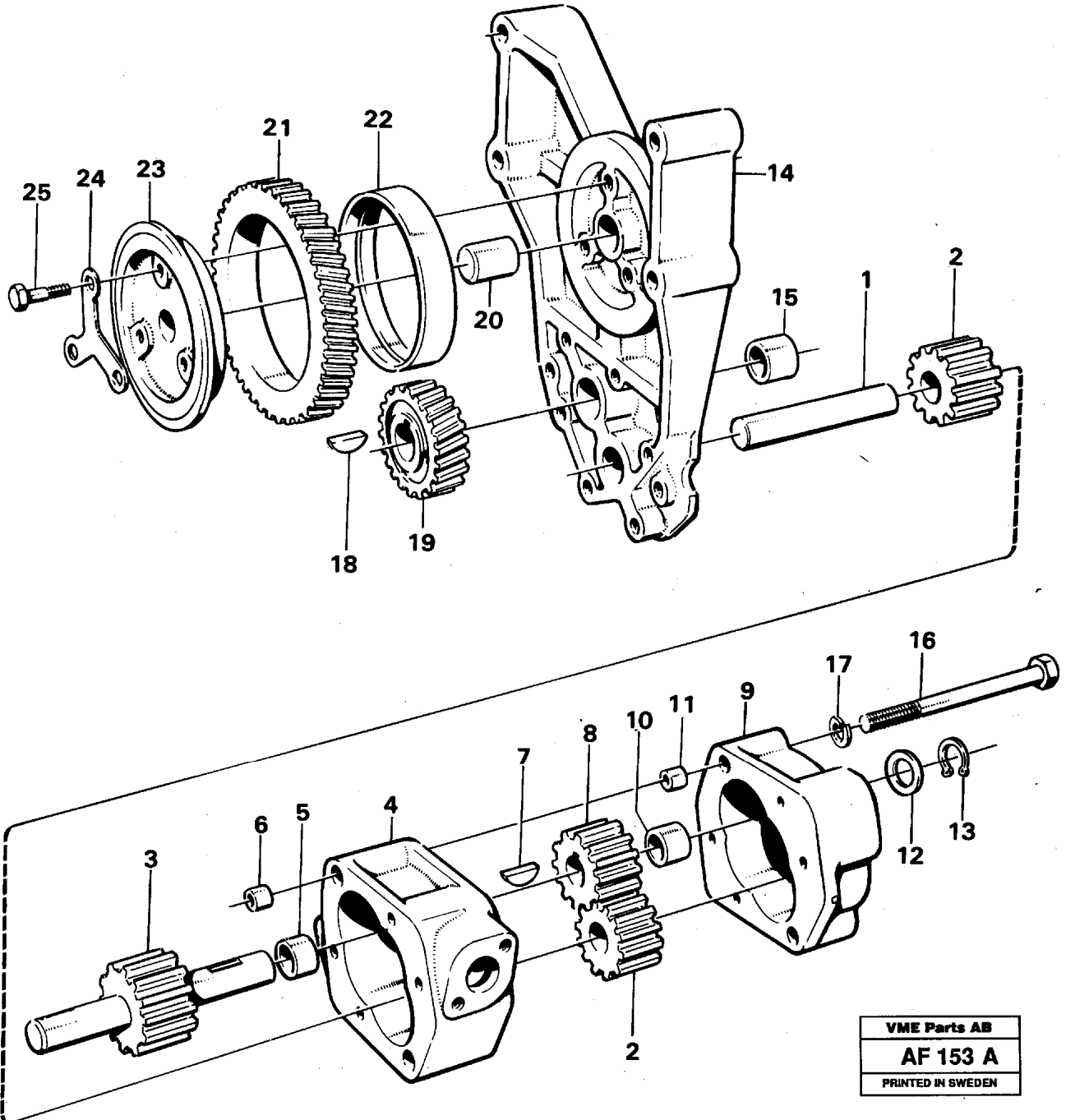
<https://www.ebooklibonline.com>

If the above button click is invalid. Please download this document first, and then click the above link to download the complete manual.

Thank you so much for reading

4	VOE11031197	1						Suction pipe		
5	VOE470383	2						Sealing ring		
6	VOE13946173	2						Screw		(VOE946173)
7	VOE11031204	1					NS	Anchorage		ENG - 282373
	VOE11031290	1						Bracket		ENG 282374 -
8	VOE13955523	2						Screw		ENG - 282373
	VOE955531	2						Hexagon screw		ENG 282374 -
9	VOE13955894	2						Washer		ENG 282374 -
10	VOE11031206	1						Clamp		
11	VOE13946544	1						Screw		(946544)
12	VOE11031199	1						Suction pipe		
13	VOE470383	2						Sealing ring		
14	VOE13941678	2						Hexagon screw		(941678)
15	VOE13955894	2						Washer		ENG 282374 -
16	VOE977743	1						Clamp		
17	VOE11053913	1						Spacer sleeve		
18	VOE13940159	2						Screw		(940159)
19	VOE13941907	2						Washer		
20	VOE11031202	1						Anchorage		
21	VOE11031203	1						Anchorage		
22	VOE13946544	2						Screw		(946544)
23	VOE942402	2						Flange screw		
24	VOE4778338	1						Flange		
25	VOE13949657	1						O-ring		(949657)
26	VOE13965216	2						Screw		(965216)
27	VOE865224	1						Tube		
28	VOE470377	1						Connector		
29	VOE980787	1						Ferrule		
30	VOE466908	1						Fitting		
31	VOE4778425	1						Pipe		
32	VOE4778427	1						Flange		
33	VOE13966688	1						Screw		ENG - 282373
	VOE13941678	2						Hexagon screw		ENG 282374 -
34	VOE13955894	2						Washer		ENG 282374 -
35	VOE7190159	1						Clamp		
36	VOE11053913	1						Spacer sleeve		
37	VOE955525	1						Hexagon screw		
38	VOE471707	1						Reduction valve		
39	VOE469846	1						Sealing ring		
40	VOE949658	1						O-ring		
41	VOE471752	1						Cover		
42	VOE940100	2						Hexagon screw		
43	VOE13941906	2						Washer		
44		1						Oil sump		See ref 217/100

Date: 2014/2/28	Image id: AF153A	Catalogue: 97702	Model: L150
Brand: Volvo BM	Serial: 1001-2080, 60000-60500	Group/Section: 221/200	Title: Oil pump TD 102 GC / KCE



VME Parts AB
AF 153 A
 PRINTED IN SWEDEN

Pos	Part	Q1	Q2	Q3	Q4	Q5	PS	Kit	Description	Option(s)	Remark
	VOE821120	1							Oil pump		
1	VOE821138	1					OP		•Pivot pin		
2	VOE425183	2							•Gear		

<https://www.ebooklibonline.com>

Hello dear friend!

Thank you very much for reading.

Enter the link into your browser.

The full manual is available for immediate download.

<https://www.ebooklibonline.com>