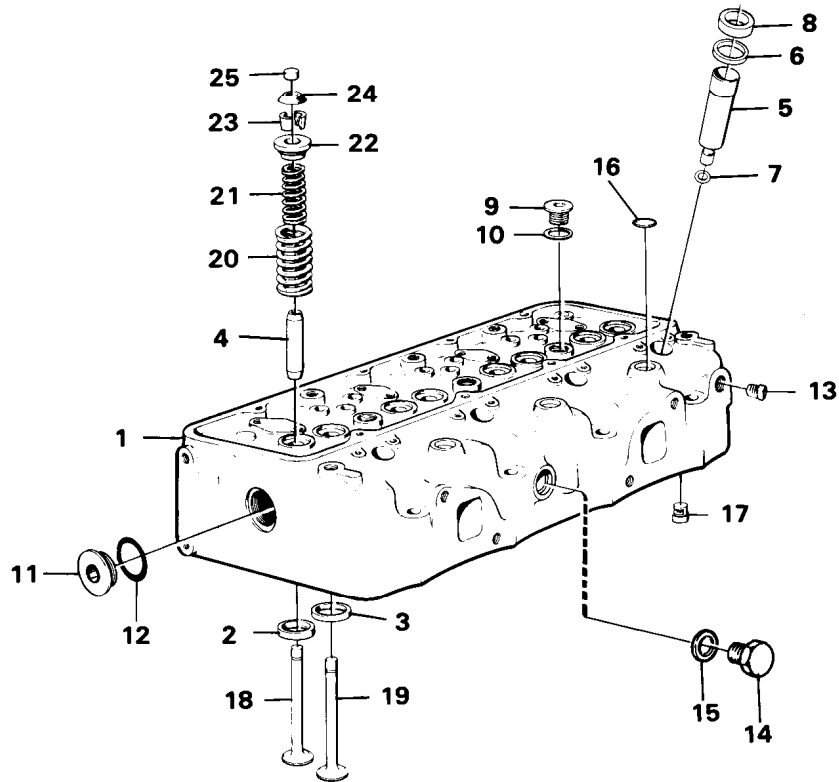
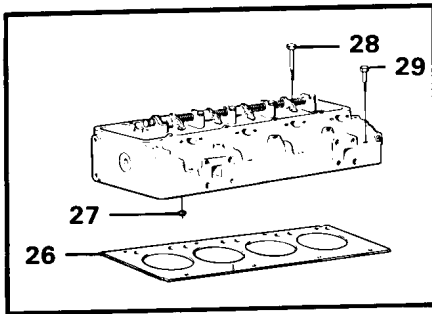


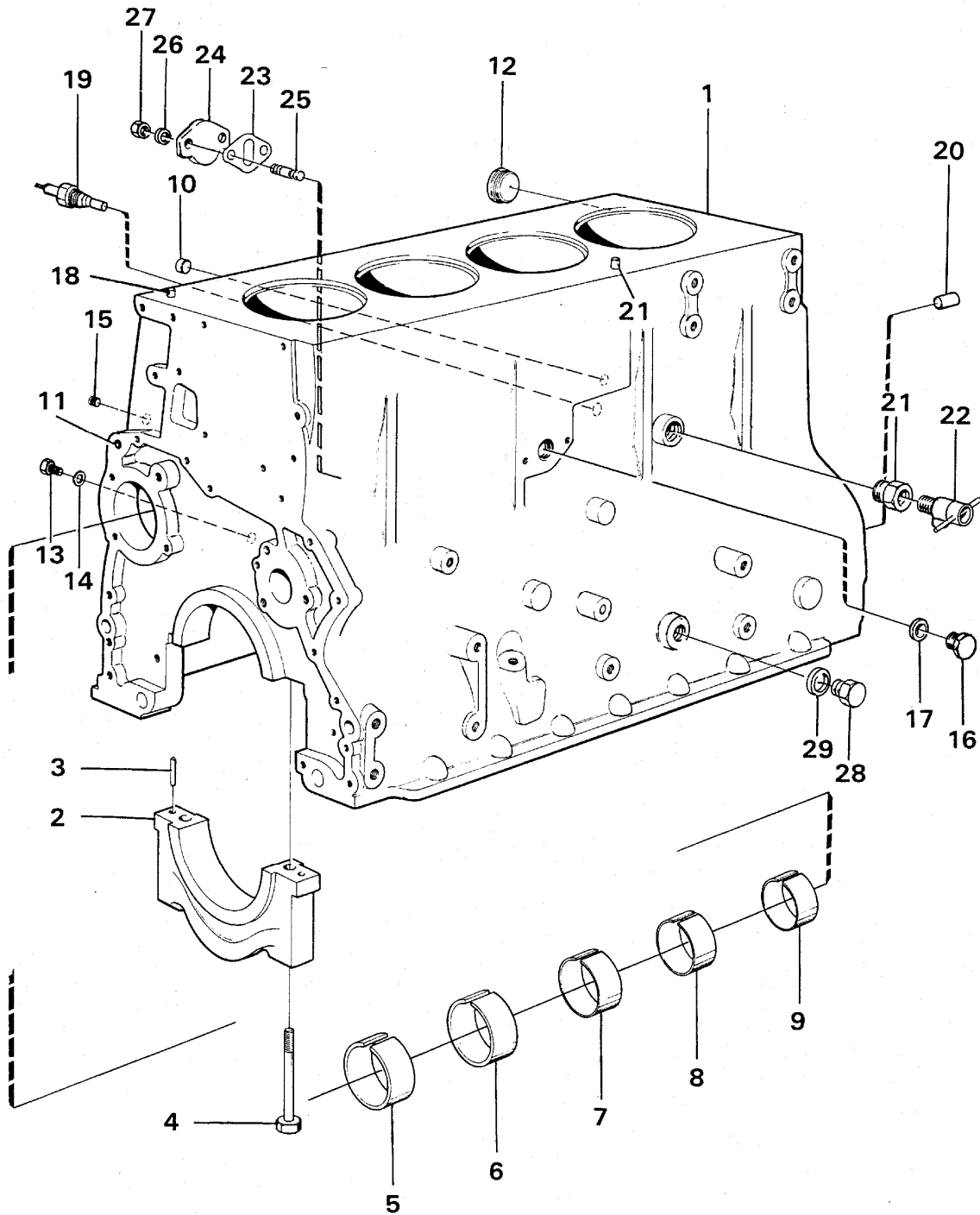
Date: 2014/1/26	Image id: 17716	Catalogue: 97591	Model: L70
Brand: Volvo BM	Serial: 6301-7400, 60001-60500	Group/Section: 21/50	Title: Cylinder head



Pos	Part	Q1	Q2	Q3	Q4	Q5	PS	Kit	Description	Option(s)	Remark
-----	------	----	----	----	----	----	----	-----	-------------	-----------	--------

	VOE4804708	1						Cylinder head	
		1				NS		•Cylinder head	
1		1				NS		••Cylinder head	
2	VOE466373	4				SS		••Valve seat	STD
	VOE421316	4						••Valve seat	(VOE7421316)0,20" O SZ
3	VOE4804548	4						••Valve seat	STD
	VOE466307	4				OP		••Valve seat	0,20" O SZ
4	VOE466386	8						••Valve guide	
5	VOE477928	4						••Socket	(VOE466403)
6	VOE466405	4						••Sealing ring	
7	VOE466922	4						••Sealing ring	
8	VOE466420	4						••Ring	
9	VOE466230	3						••Plug	(VOE7466230)
10	VOE420166	3						••Gasket	(VOE7420166)
11	VOE785765	1						••Plug	
12	VOE785766	1						••Gasket	
13	VOE952358	1				OP		••Plug	
14	VOE467365	1						••Plug	(VOE467714)
15	VOE469327	1						••Gasket	(VOE468461)
16	VOE477026	3						••Expansion plug	(VOE7192426)
17	VOE465420	4						••Nozzle	
18	VOE466379	4						•Valve	
19	VOE421680	4						•Exhaust valve	
20	VOE466384	8						•Valve spring	
21	VOE466383	8						•Valve spring	
22	VOE466382	8						•Washer	
23	VOE468305	16						•Valve Collet	
24	VOE469456	8						•Protecting ring	
25	VOE478074	8						•Valve cap	(VOE469365)
	VOE11990104	1						•Gasket kit	(VOE11990017)
26	VOE11030027	1						••Gasket	(VOE11030004)
27	VOE422413	1						••Sealing ring	
28	VOE787459	16						Screw	
29	VOE787458	4						Screw	

Date: 2014/1/26	Image id: 17717A	Catalogue: 97591	Model: L70
Brand: Volvo BM	Serial: 6301-7400, 60001-60500	Group/Section: 21/100	Title: Cylinder block



VME Parts Sweden AB
17717 A
PRINTED IN SWEDEN

Pos	Part	Q1	Q2	Q3	Q4	Q5	PS	Kit	Description	Option(s)	Remark
-----	------	----	----	----	----	----	----	-----	-------------	-----------	--------

<https://www.ebooklibonline.com>

Hello dear friend!

Thank you very much for reading.

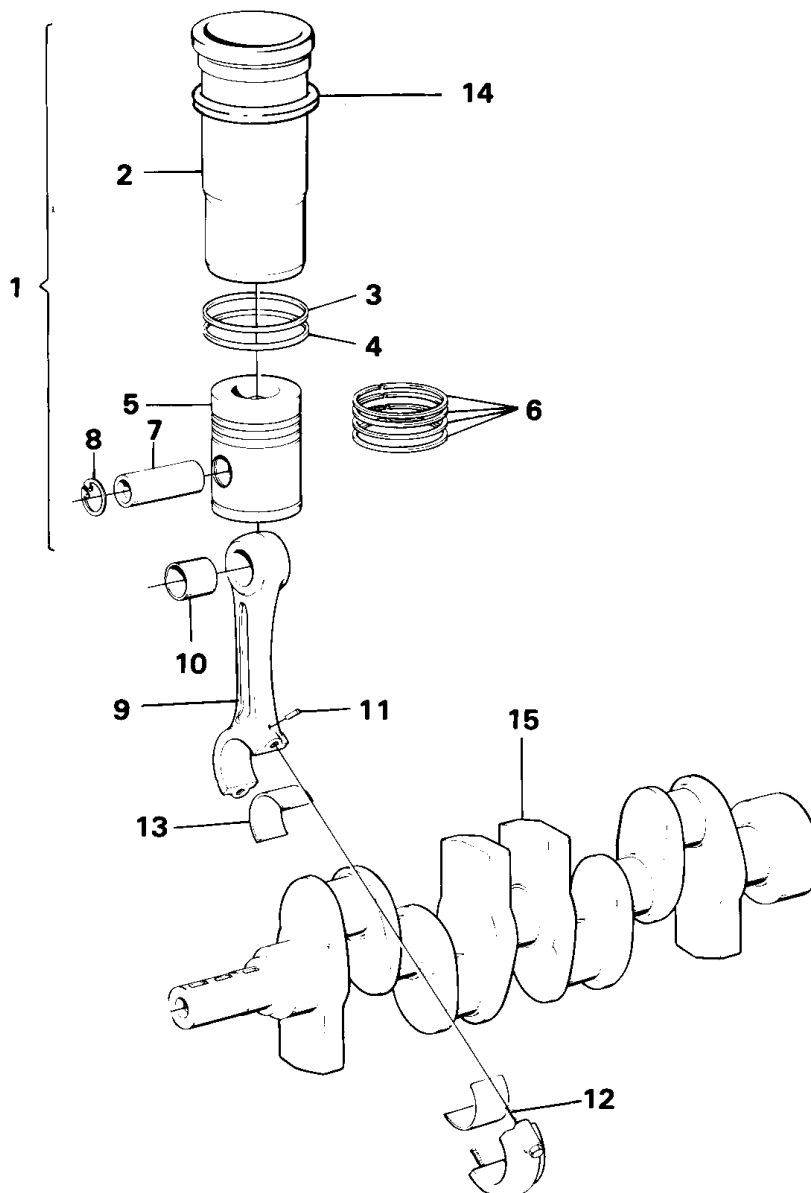
Enter the link into your browser.

The full manual is available for immediate download.

<https://www.ebooklibonline.com>

1	VOE4804591	1					OP		Cylinder block		
2		5					NS		•Bearing carrier		
3	VOE950564	1							•Pin		
4	VOE421153	10					OP		•Screw		
5	VOE785515	1							•Bushing		
6	VOE11000014	1							•Bushing		(VOE7422079)
7	VOE422080	1							•Bushing		(VOE7422080)
8	VOE422081	1							•Bushing		
9	VOE785443	1							•Bushing		
10	VOE422369	5							•Plug		
11	VOE955082	3							Cap plug		
12	VOE7070792	3							Cap plug		
13	VOE479979	1							Plug		(VOE191026)
14	VOE957173	1							Gasket		
15	VOE13961130	1					OP		Plug		
16	VOE4804641	1							Plug		
17	VOE957193	1							Gasket		
18	VOE785800	2							Pin		
19	VOE1606877	1							Switch		(VOE1324750) OLJETRYCK/OIL PRESSURE
20	VOE191171	2							Pin		(VOE7191171)
21	VOE479954	1							Nipple		(VOE7190130)
22	VOE87502	1							Drain Cock		(VOE7087502)
23	VOE11030028	1							Gasket		(VOE785868)
24	VOE7363575	1							Plate		
25	VOE953235	2					OP		Stud		
26	VOE13941907	2							Washer		(VOE941907)
27	VOE955826	2							Hexagon nut		
28	VOE961895	1							Plug		
29	VOE13947627	1							Plane gasket		(VOE947627)

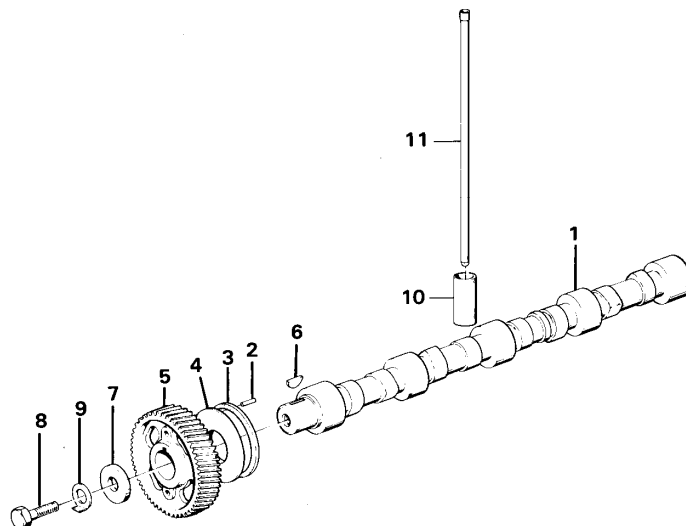
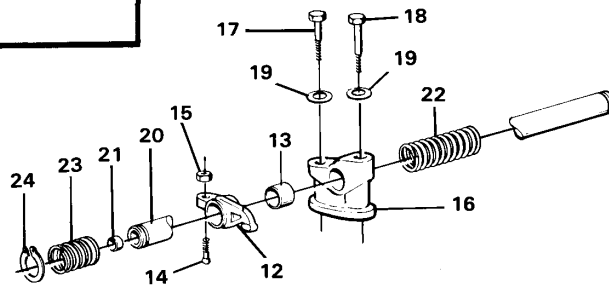
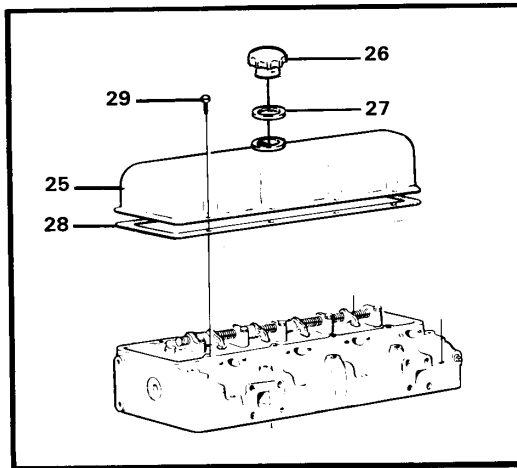
Date: 2014/1/26	Image id: 17718	Catalogue: 97591	Model: L70
Brand: Volvo BM	Serial: 6301-7400, 60001-60500	Group/Section: 21/150	Title: Cylinder liner, piston and connecting rod



Pos	Part	Q1	Q2	Q3	Q4	Q5	PS	Kit	Description	Option(s)	Remark
-----	------	----	----	----	----	----	----	-----	-------------	-----------	--------

1	VOE11990057	4						Cylinder liner kit		
2		4					NS	•Cylinder liner		
3	VOE4804532	4						•Sealing ring		UPPER
4	VOE4804532	4						•Sealing ring		LO
5		4					NS	•Piston		
6	VOE6630616	4						•Piston ring kit		
	VOE787934	4					OP	••Strap		
	VOE785935	8						••Compression ring		
	VOE787262	4						••Oil scraper ring		
7		4					NS	•Piston pin		
8	VOE914524	8						•Retaining ring		
9	VOE11030068	4						Connecting rod		(VOE11030051)
		4					NS	•Cap		
10	VOE11030066	4						•Bearing bushing		(VOE4804873)
11	VOE7021660	8					OP	•Pin		ENG - 71863
12	VOE420126	8						•Screw		
13	VOE270093	4						Bearing		
	VOE270094	4						Bearing		0,010" U SZ
	VOE270095	4						Bearing		0,020" U SZ
	VOE270096	4						Bearing		0,030" U SZ
	VOE270097	4						Bearing		0,040" U SZ
	VOE270098	4					OP	Bearing		0,050" U SZ
14	VOE4804380	REQ						Shim		THICK=0,12
	VOE4804381	REQ						Shim		THICK=0,20
	VOE4804382	REQ						Shim		THICK=0,30
	VOE4804383	REQ						Shim		THICK=0,50
15		1						Crankshaft		See ref 21/300

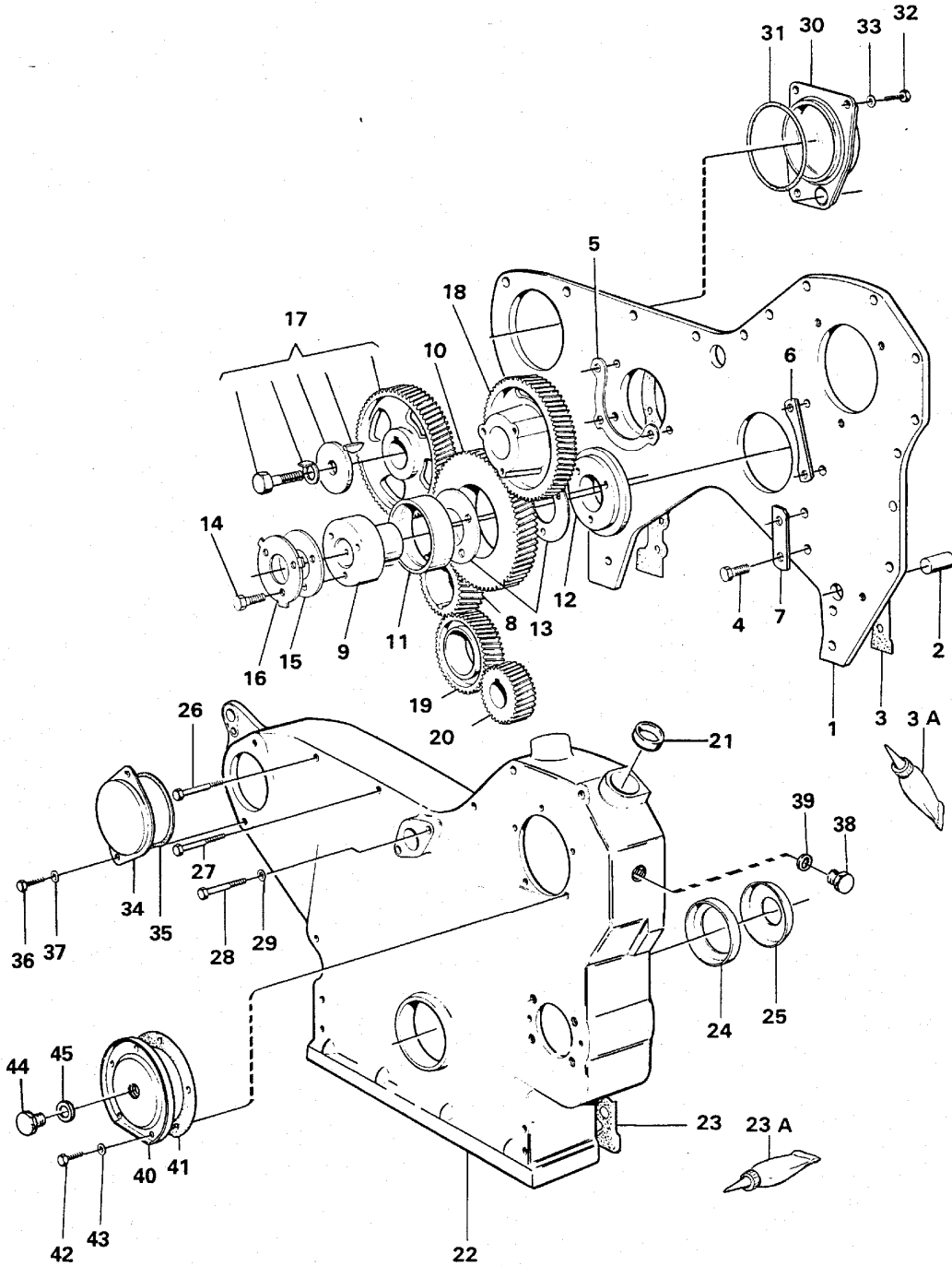
Date: 2014/1/26	Image id: 17719	Catalogue: 97591	Model: L70
Brand: Volvo BM	Serial: 6301-7400, 60001-60500	Group/Section: 21/200	Title: Valve mechanism



Pos	Part	Q1	Q2	Q3	Q4	Q5	PS	Kit	Description	Option(s)	Remark
-----	------	----	----	----	----	----	----	-----	-------------	-----------	--------

1	VOE4804452	1						Camshaft		
2	VOE907172	1					OP	Grooved pin		
3	VOE785591	1						Sealing ring		
4	VOE11030043	1						Thrust washer		(VOE785660)
5	VOE785789	1						Camshaft gear		
6	VOE910122	1						Woodruff key		
7	VOE785584	1						Washer		
8	VOE955581	1						Hexagon screw		
9	VOE785589	1						Lock washer		
10	VOE421067	8						Tappet		(VOE785869)
11	VOE785560	8						Push rod		
12	VOE7420129	4						Rocker arm		
	VOE420132	4						Rocker arm		(VOE7420132)
13	VOE420125	8						•Bushing		(VOE7420125)
14	VOE422993	8						•Bolt		(VOE7423058)
15	VOE940175	8						•Nut		
16	VOE785558	4						Bearing Bracket		
17	VOE955539	4						Hexagon screw		
18	VOE955540	4						Hexagon screw		
19	VOE13942336	8						Spring washer		(VOE942336)
20	VOE785425	1						Rocker arm shaft		
21	VOE955082	2						•Cap plug		
22	VOE411140	2					OP	Spring		(VOE7411140)
23	VOE7301466	3					OP	Spring		
24	VOE914456	2						Retaining ring		
25	VOE785415	1						Valve cover		
26	VOE421753	1						Filler cap		
27	VOE1275379	1						Gasket		(VOE940096)
28	VOE785416	1						Gasket		
29	VOE950046	8						Cross recessed screw		

Date: 2014/1/26	Image id: 18595A	Catalogue: 97591	Model: L70
Brand: Volvo BM	Serial: 6301-7400, 60001-60500	Group/Section: 21/250	Title: Timing gear casing and timing gears



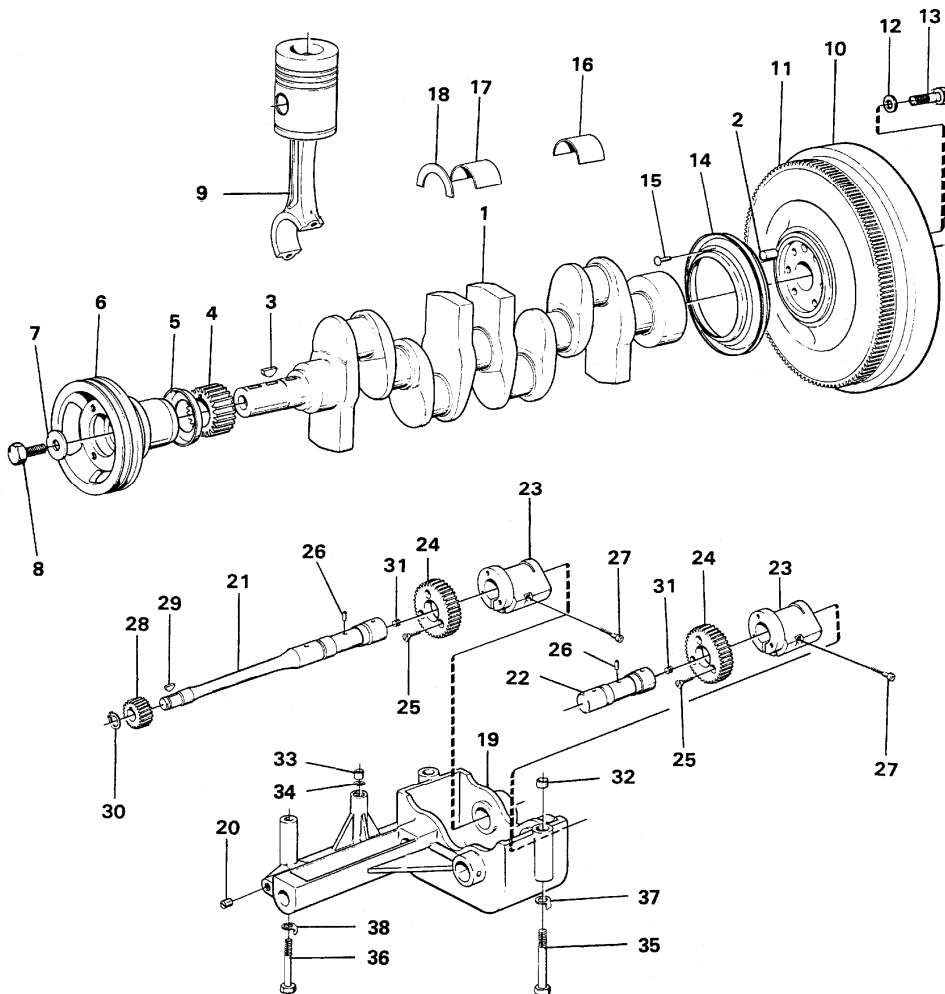
VME Parts Sweden AB
18595 A
PRINTED IN SWEDEN

Pos	Part	Q1	Q2	Q3	Q4	Q5	PS	Kit	Description	Option(s)	Remark
-----	------	----	----	----	----	----	----	-----	-------------	-----------	--------

1	VOE4804585	1					OP	Xmsn Plate		
2	VOE191171	2						Pin		(VOE7191171)
3		1					NS	Gasket		REPL BY 1161277
3A	VOE1161277	1						Sealant		
4	VOE955524	7						Hexagon screw		
5	VOE785796	1						Striker plate		
6	VOE785797	1						Striker plate		
7	VOE1100062	1						Striker plate		
8		1						Crankshaft gear		See ref 21/300
9	VOE785723	1					OP	Pin		
10	VOE785767	1					OP	Idler gear		
11		1					NS	•Bushing		
12	VOE785768	1						Spacer plate		
13	VOE787294	2						Thrust washer		
14	VOE955556	3						Hexagon screw		
15	VOE787377	1						Bearing shield		
16	VOE785590	1					OP	Striker plate		
17		1						Camshaft gear		See ref 21/200
18		1						Drive gear		See ref 23/200
19		1						Oil-pump gear		See ref 22/100
20		1						Drive gear		See ref 22/100
21	VOE13946780	1						Cap plug		
22	VOE4804736	1					OP	Timing gear cover		
23		1					NS	Gasket		REPL BY 1161277
23A	VOE1161277	1						Sealant		
24	VOE11713159	1						Sealing ring		(VOE4804489)
25	VOE785517	1						Ring		
26	VOE955531	9						Hexagon screw		L = 89
27	VOE955530	2						Hexagon screw		L = 83
	VOE976944	1						Washer		(VOE13960141)
28	VOE13940135	10						Screw		L = 22
29	VOE13941907	21						Washer		(VOE941907)
30	VOE785960	1						Cover		
31	VOE926043	1						O-ring		
32	VOE955535	3						Hexagon screw		
33	VOE13942336	3						Spring washer		(VOE942336)
34	VOE7420183	1						Cover		
35	VOE420213	1						Sealing ring		(VOE7420213)
36	VOE955535	2						Hexagon screw		
37	VOE13942336	2						Spring washer		(VOE942336)
38	VOE13960632	1						Plug		
		1						Induction sensor	VOE90741	See ref 91/685
39	VOE13947624	1						Plane gasket		(VOE947624)
40		1					NS	Cover		
41	VOE785594	1						Gasket		
42	VOE940100	5						Hexagon screw		
43	VOE13941906	5						Washer		(VOE941906)

44	VOE7301185	1					OP		Plug		
45	VOE13947627	1							Plane gasket		(VOE947627)

Date: 2014/1/26	Image id: 17721B	Catalogue: 97591	Model: L70
Brand: Volvo BM	Serial: 6301-7400, 60001-60500	Group/Section: 21/300	Title: Crankshaft balancing



VME Parts Sweden AB
17721B
 PRINTED IN SWEDEN

Pos	Part	Q1	Q2	Q3	Q4	Q5	PS	Kit	Description	Option(s)	Remark
-----	------	----	----	----	----	----	----	-----	-------------	-----------	--------

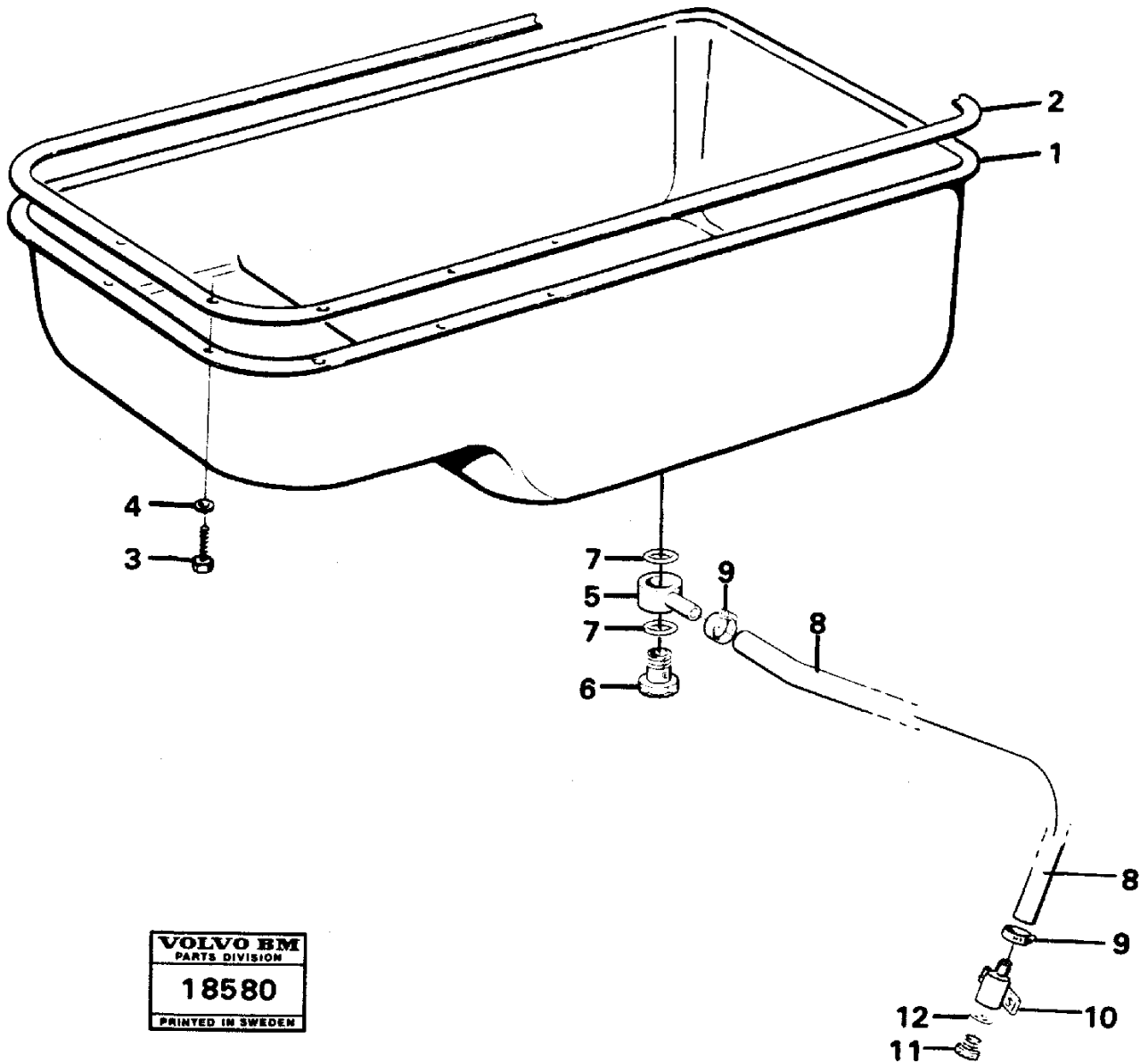
1	VOE4804294	1							Crankshaft		
2	VOE950677	1							•Pin		
3	VOE910127	3							Woodruff key		
4	VOE787299	1							Gear		
5	VOE785540	1							Oil deflector ring		
6	VOE787614	1							Pulley		
7	VOE785542	1							Washer		
8	VOE787163	1						OP	Screw		
9		1							Cylinder liner kit		See ref 21/150
10	VOE11030041	1						OP	Flywheel		(VOE4804819)
11	VOE4804931	1							•Gear ring		
12	VOE467773	6							Washer		
13	VOE13944710	6							Screw		
14	VOE785820	1							Ring		
15	VOE905654	4							Drive screw		
16	VOE270432	4							Main bearing kit		STD
	VOE270433	4							Main bearing kit		0,010" U SZ
	VOE270434	4							Main bearing kit		0,020" U SZ
	VOE270435	4							Main bearing kit		0,030" U SZ
	VOE270436	4							Main bearing kit		0,040" U SZ
	VOE270437	4							Main bearing kit		0,050" U SZ
17	VOE754589	1							Bearing shell kit		STD
	VOE754590	1							Bearing		0,010" U SZ
	VOE754591	1							Bearing		0,020" U SZ
	VOE754592	1							Bearing		0,030" U SZ
	VOE754593	1						OP	Bearing		0,040" U SZ
	VOE754594	1						OP	Bearing		0,050" U SZ
18	VOE276754	1							Thrust washer		(VOE7276754)STD
	VOE276755	1							Thrust washer		(VOE7276755)0,1 MM O SZ
	VOE276756	1							Thrust washer		(VOE7276756)0,2 MM O SZ
	VOE276757	1							Thrust washer		(VOE7276757)0,3 MM O SZ
	VOE4804779	1						OP	Vibration damper		
19	VOE4804780	1							•Bracket		
20	VOE7016324	1							•Plug		
21	VOE785439	1							•Shaft		
22	VOE785440	1							•Shaft		
23	VOE4804464	2						OP	•Counterweight		
24	VOE787212	2						OP	•Gear		
25	VOE956553	2						OP	•Screw		
	VOE956556	4						OP	•Screw		
26	VOE951950	2							•Spring pin		
27	VOE956588	2							•Screw		
28	VOE787298	1							•Gear		
29	VOE910115	1							•Woodruff key		

30	VOE914454	1							•Retaining ring		
31	VOE7016324	2							•Plug		
32	VOE785649	1							Sleeve		
33	VOE785438	1							Tube		
34	VOE925055	1							O-ring		(VOE926032)
35	VOE7191812	2							Screw		
36	VOE955556	1							Hexagon screw		
37	VOE921231	2							Lock washer		
38	VOE921221	1							Lock washer		

VOLVO

Construction Equipment

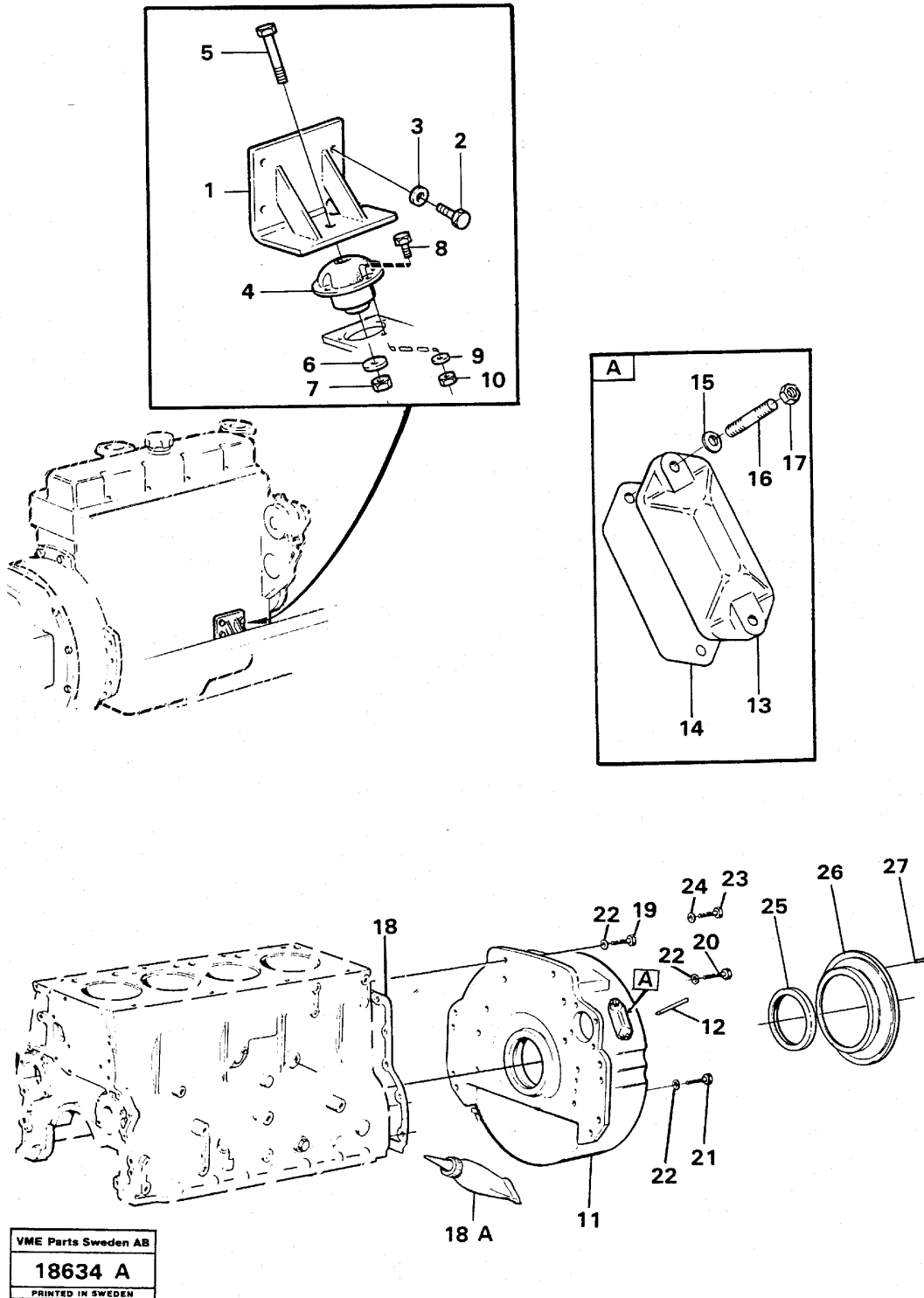
Date: 2014/1/26	Image id: 18580	Catalogue: 97591	Model: L70
Brand: Volvo BM	Serial: 6301-7400, 60001-60500	Group/Section: 21/350	Title: Oil sump



Pos	Part	Q1	Q2	Q3	Q4	Q5	PS	Kit	Description	Option(s)	Remark
1	VOE4804829	1					OP		Oil pan		
2	VOE11030107	1							Gasket		(VOE785417)
3	VOE955524	29							Hexagon screw		
4	VOE13941907	29							Washer		(VOE941907)
5	VOE4761859	1							Oil draining pipe		
6	VOE4746672	1							Hollow screw		
7	VOE13955997	2							O-ring		

8	VOE13961191	REQ							Hydraulic hose		L=750
9	VOE13943472	2							Hose clamp		(VOE943472)
10	VOE4850236	1							Nipple		
11	VOE926370	1							Plug		
12	VOE958225	1							O-ring		

Date: 2014/1/26	Image id: 18634A	Catalogue: 97591	Model: L70
Brand: Volvo BM	Serial: 6301-7400, 60001-60500	Group/Section: 21/400	Title: Engine support and flywheel housing



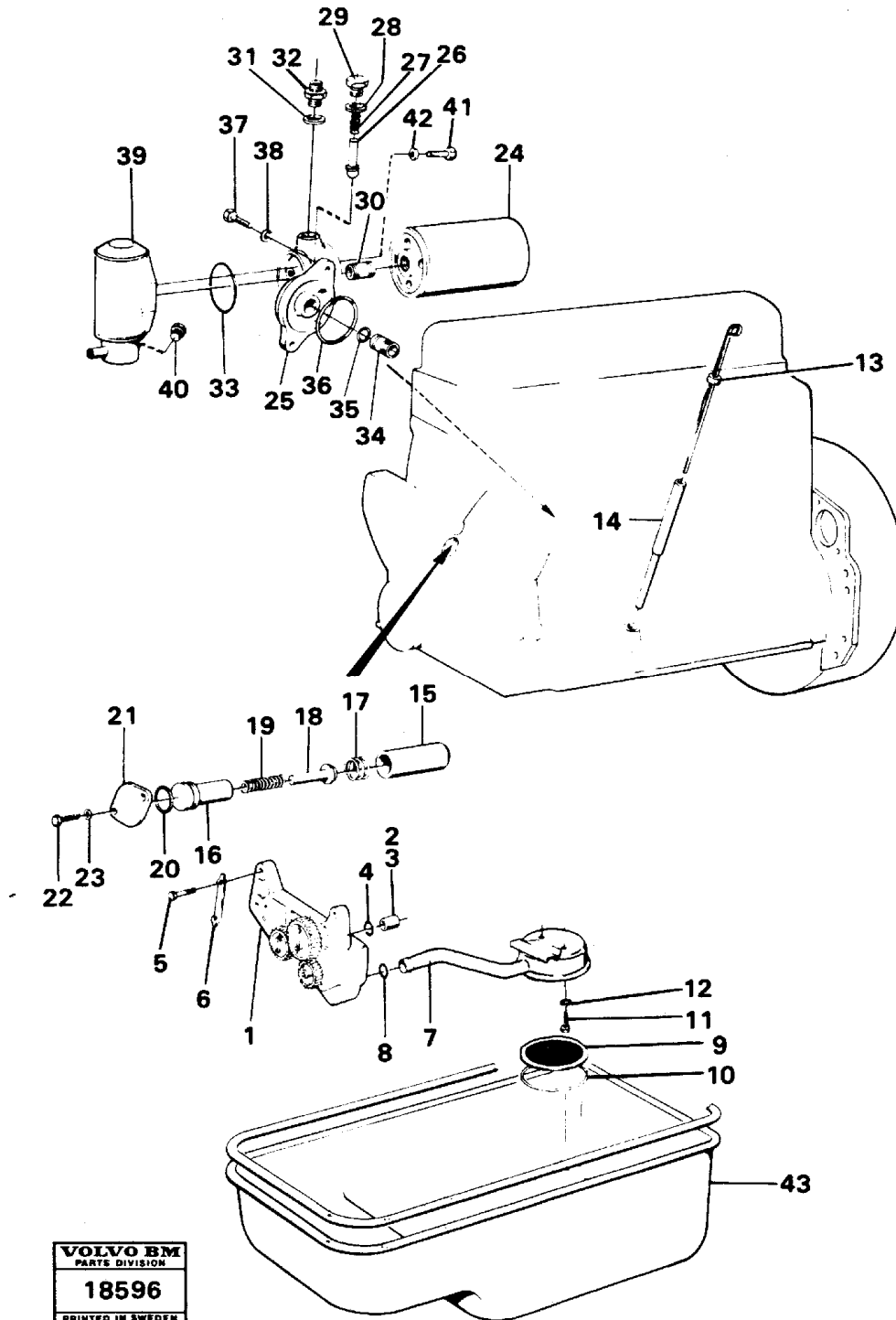
Pos	Part	Q1	Q2	Q3	Q4	Q5	PS	Kit	Description	Option(s)	Remark
-----	------	----	----	----	----	----	----	-----	-------------	-----------	--------

1	VOE4939323	1					OP		Bracket		RH
	VOE4939324	1					OP		Bracket		LH
2	VOE955563	8							Hexagon screw		
3	VOE4850822	8							Spacer		
4	VOE11101991	2							Rubber damper		(VOE4939501)
5	VOE955398	2							Hexagon screw		
6	VOE13949394	2							Washer		
7	VOE955786	2							Hexagon nut		
8	VOE13970972	6							Hexagon screw		(VOE955342)
9	VOE940280	6							Spring washer		
10	VOE13971072	6							Hexagon nut		(VOE955784)
11	VOE4804802	1							Flywheel housing		
12	VOE4804159	1					OP		•Setting indicator		
	VOE739393	1							•Tube		
	VOE905654	2							•Drive screw		
13	VOE4772168	1							Cover		
14	VOE4804167	1							Gasket		
15	VOE955892	2							Washer		
16	VOE924054	2					OP		Stud		
17	VOE946035	2							Lock nut		
18		1					NS		Gasket		REPL BY 1161277
18A	VOE1161277	1							Sealant		
19	VOE955578	2					SS		Hexagon screw		9/16 X 45
20	VOE955580	6							Hexagon screw		9/16 X 57
21	VOE955583	2							Hexagon screw		9/16 X 76
22	VOE941911	10							Spring washer		
23	VOE955560	2							Hexagon screw		1/2 X 25
24	VOE13955897	2							Washer		(VOE955897)
25	VOE477119	1							Crankshaft seal		(VOE821755)
26	VOE787326	1							Oil deflector ring		
27	VOE905654	4							Drive screw		

VOLVO

Construction Equipment

Date: 2014/1/26	Image id: 18596	Catalogue: 97591	Model: L70
Brand: Volvo BM	Serial: 6301-7400, 60001-60500	Group/Section: 22/50	Title: Lubricating oil system



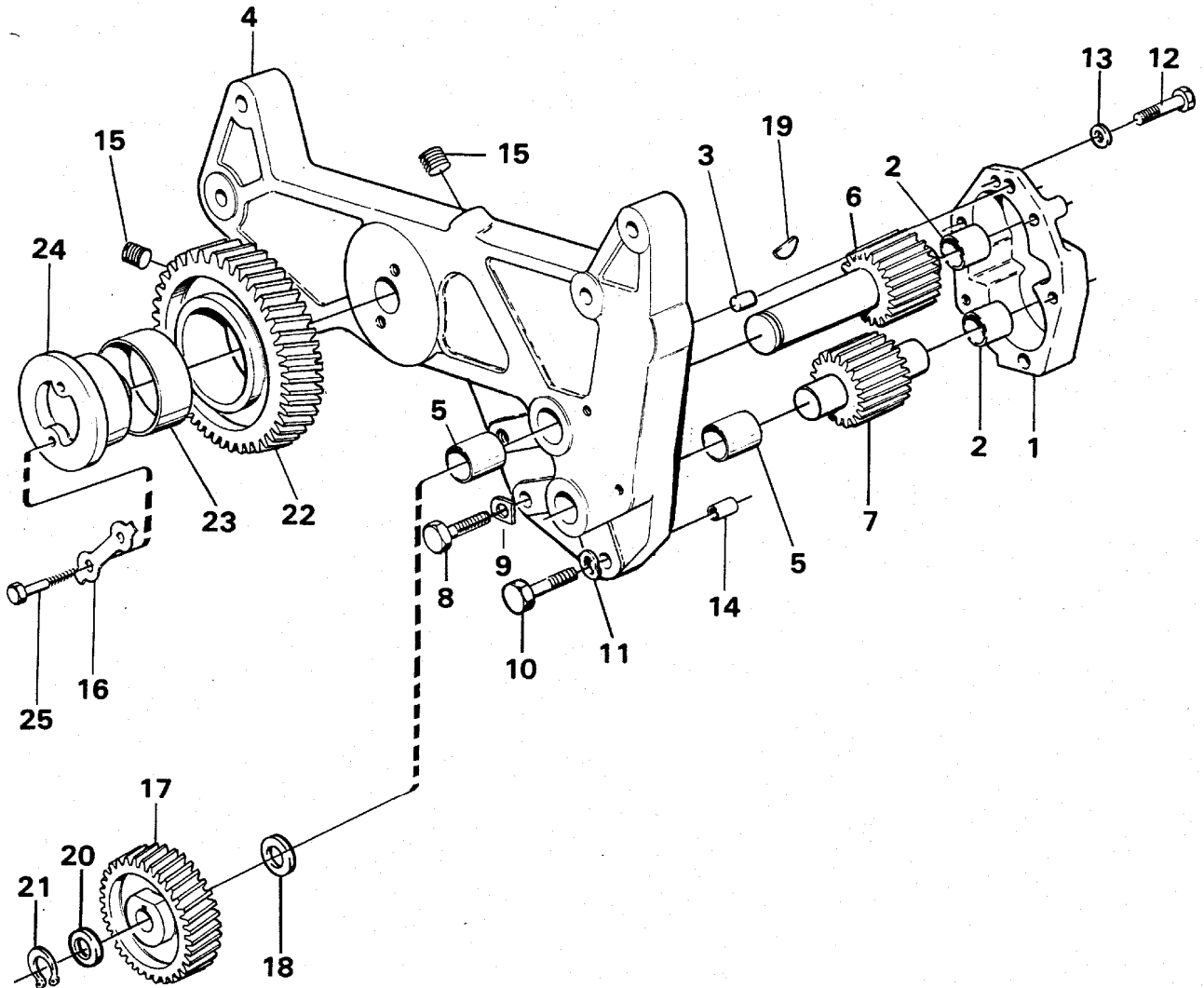
Pos	Part	Q1	Q2	Q3	Q4	Q5	PS	Kit	Description	Option(s)	Remark
-----	------	----	----	----	----	----	----	-----	-------------	-----------	--------

1		1						Oil pump	See ref 22/100
2	VOE785577	1						Guide sleeve	L=29
3	VOE785623	1					OP	Guide sleeve	L=15
4	VOE955993	1						O-ring	
5	VOE940186	3						Hexagon screw	L=38
	VOE955526	1						Hexagon screw	L=51
6	VOE930035	1						Lock washer	
	VOE7015260	1						Lock washer	
7	VOE4804776	1						Strainer	
8	VOE942089	1						O-ring	
9	VOE414621	1						Wire gauze	(VOE7414621)
10	VOE118125	1						Retaining ring	
11	VOE13940135	2						Screw	
12	VOE13941907	2						Washer	
13	VOE785427	1					OP	Dipstick	
14	VOE785606	1						Tube	
15	VOE785792	1						Valve housing	
16	VOE787068	1						Housing	
17	VOE785794	1						Spring	
18	VOE421125	1						Valve	(VOE7421125)
19	VOE421126	1						Spring	(VOE7421126)
20	VOE925059	1						O-ring	
21	VOE787069	1						Thrust washer	
22	VOE955513	2						Hexagon screw	
23	VOE13941906	2						Washer	(VOE941906)
24	VOE4804406	1						Oil filter	
25	VOE4804521	1					OP	Bracket	
26	VOE471085	1						•Valve cone	
27	VOE4804755	1						•Compression spring	
28	VOE957185	1						•Gasket	
29	VOE466624	1						•Plug	
30	VOE4804518	1						•Nipple	
31	VOE957179	1						•Gasket	
32	VOE13963948	1						•Nipple	
33	VOE926039	1						O-ring	
34	VOE785816	1						Nipple	
35	VOE955976	1						O-ring	(VOE926033)
36	VOE926040	1						O-ring	
37	VOE955535	2						Hexagon screw	
38	VOE955950	2						Toothed washer	
39	VOE4804681	1						Oil cooler	
40	VOE479979	1						•Plug	(VOE191026)
41	VOE4804519	2						Screw	
42	VOE13940109	2						Lock washer	
43		1						Oil sump	See ref 21/350

VOLVO

Construction Equipment

Date: 2014/1/26	Image id: 16936B	Catalogue: 97591	Model: L70
Brand: Volvo BM	Serial: 6301-7400, 60001-60500	Group/Section: 22/100	Title: Oil pump



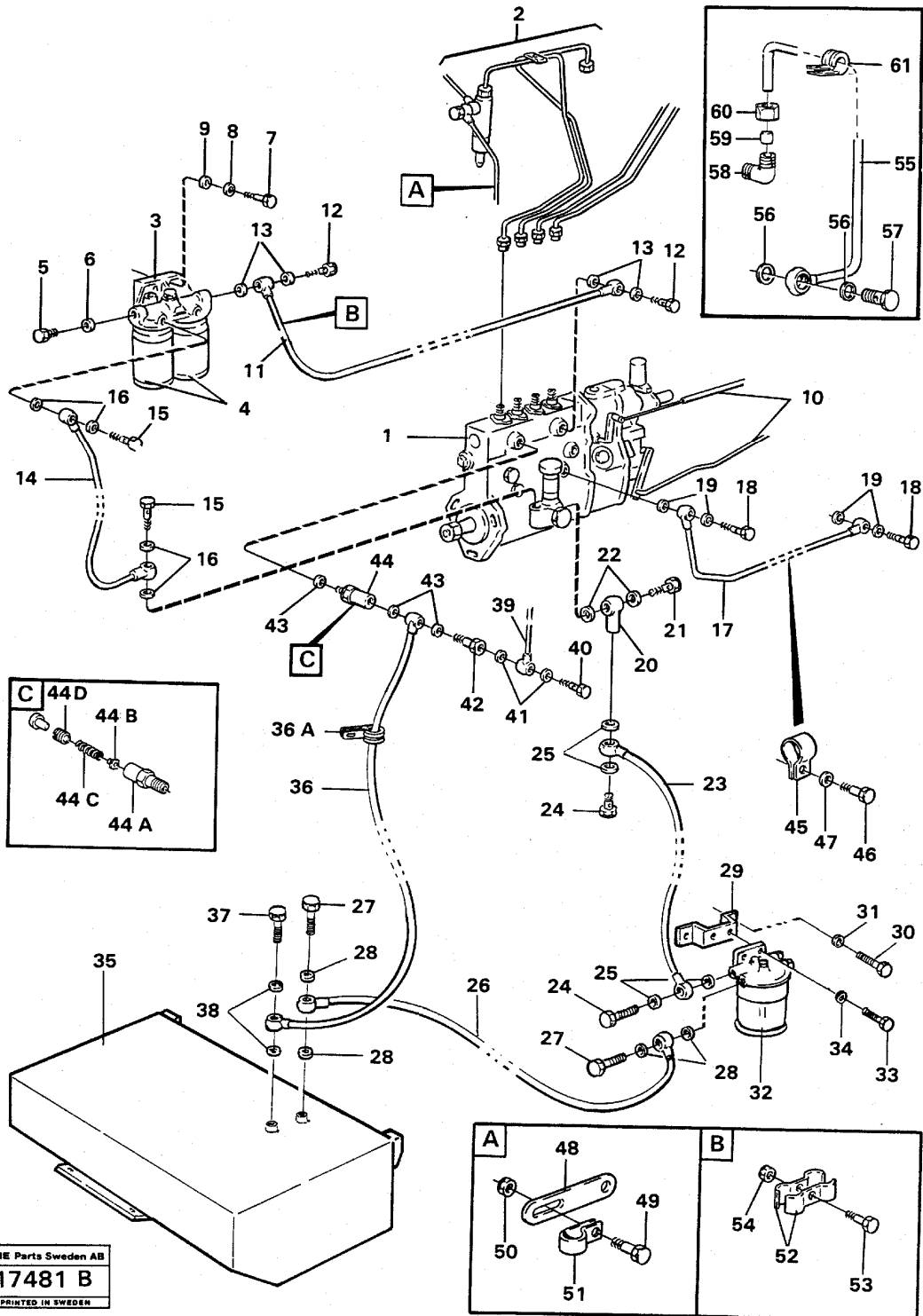
VME Parts Sweden AB
16936 B
PRINTED IN SWEDEN

Q1-Q5	Option	Option description	
Q1 4804203			
Q2 11030050			

Pos	Part	Q1	Q2	Q3	Q4	Q5	PS	Kit	Description	Option(s)	Remark
	VOE4804203	1					SS		Lubricating pump oil		ENG - 71874

	VOE11030050		1						Oil pump		ENG 71875 -
1	VOE4804196	1	1						•Oil pump housing		
2	VOE470234	2	2						••Bushing		(VOE940359)
3	VOE918145	1	1						•Pin		
4	VOE787598	1	1						•Bracket		
5	VOE470234	2	2						••Bushing		(VOE940359)
6	VOE4804199	1						SS	•Axle shaft		
	VOE4804198		1					NS	•Axle shaft		
	VOE11030047		1					NS	•Gear		
7	VOE4804200	1						SS	•Shaft		
	VOE11030049		1						•Gear		
8	VOE955514	1	1						•Hexagon screw		
9	VOE921206	1	1						•Lock washer		
10	VOE955515	1	1						•Hexagon screw		
11	VOE13941906	1	1						•Washer		(VOE941906)
12	VOE955516	4	4						•Hexagon screw		
13	VOE13941906	4	4						•Washer		(VOE941906)
14	VOE787235	1	1						•Spring pin		
15	VOE191142	2	2						•Plug		(VOE7191142)
16	VOE7015024	1	1						•Lock washer		
17	VOE4804202	1	1						•Drive Gear		
18	VOE424133	1	1						•Thrust washer		
19	VOE910115	1	1						•Woodruff key		
20	VOE926147	1	1						•Support washer		
21	VOE914450	1	1						•Retaining ring		
22	VOE787297	1	1						•Idler gear		
23	VOE785775	1	1						•Bushing		
24	VOE785519	1	1						•Pivot pin		
25	VOE940161	2	2						•Hexagon screw		

Date: 2014/1/26	Image id: 17481B	Catalogue: 97591	Model: L70
Brand: Volvo BM	Serial: 6301-7400, 60001-60500	Group/Section: 23/50	Title: Fuel system



VME Parts Sweden AB
17481 B
PRINTED IN SWEDEN

Pos	Part	Q1	Q2	Q3	Q4	Q5	PS	Kit	Description	Option(s)	Remark
-----	------	----	----	----	----	----	----	-----	-------------	-----------	--------

1		1						Fuel pump		See ref 23/200
2								Pipe, injector		See ref 23/100
3		1						Filter Housing		See ref 23/550
4		2						Fuel filter		See ref 23/550
5	VOE960630	3						Plug		
6	VOE13947621	3						Plane gasket		
7	VOE13940162	2						Screw		(VOE940162)
8	VOE13942336	2						Spring washer		(VOE942336)
9	VOE13940097	2						Washer		
10								Control		SEE GROUP 27
11	VOE4804601	1						Fuel pipe		
12	VOE7025167	2						Hollow screw		
13	VOE13947621	4						Plane gasket		
14	VOE4804599	1						Fuel pipe		
15	VOE7025167	2						Hollow screw		
16	VOE13947621	4						Plane gasket		
17	VOE4804757	1						Oil pipe		
18	VOE7048634	2						Hollow screw		
19	VOE13947281	4						Gasket		
20	VOE7025170	1						Banjo nipple		
21	VOE7025167	1						Hollow screw		
22	VOE13947621	2						Plane gasket		
23	VOE4804508	1						Fuel hose		
24	VOE7025167	2						Hollow screw		
25	VOE13947621	4						Plane gasket		
26	VOE4804703	1						Fuel hose		
27	VOE7025167	2						Hollow screw		
28	VOE13947621	4						Plane gasket		
29		1					NS	Bracket		
30	VOE955534	2						Hexagon screw		
31	VOE13942336	2						Spring washer		(VOE942336)
32	VOE4880463	1						Water separator		See ref 23/500
33	VOE13970947	2						Hexagon screw		(VOE955317)
34	VOE976945	2						Washer		(VOE13960148)
35		1						Fuel tank		See ref 23/150
36	VOE4774632	1						Fuel hose		
36A	VOE13949747	1						Clamp		
37	VOE7025167	1						Hollow screw		
38	VOE13947621	2						Plane gasket		
39		1						Fuel pipe		See ref 23/100
40		1						Hollow screw		See ref 23/100
41		2						Gasket		See ref 23/100
42	VOE7016496	1						Hollow screw		
43	VOE13947621	3						Plane gasket		
44	VOE479775	1						Overflow valve		
44A		1					NS	•Valve		
44B		1					NS	•Peg		

44C		1					NS		•Spring		
44D		1					NS		•Bushing		
45	VOE940374	1							Clamp		
46	VOE955511	1							Hexagon screw		
47	VOE955893	1							Washer		
48	VOE943955	1							Bracket		
49	VOE956094	1							Cross recessed screw		
50	VOE13955781	1							Nut		(VOE955781)
51	VOE7121563	1							Clamp		
52	VOE404279	2							Clamp		
53	VOE956094	1							Cross recessed screw		
54	VOE13955781	1							Nut		(VOE955781)
55		1					NS		Pipe	VOE90823	See footnote 67)
56	VOE13947282	2							Gasket	VOE90823	
57	VOE968178	1							Hollow screw	VOE90823	
58	VOE954386	1							Elbow nipple	VOE90823	
59	VOE954365	1							Olive	VOE90823	
60	VOE954357	1							Nut	VOE90823	
61	VOE7018368	2							Clamp	VOE90823	

67) For smoke limiter.



Suggest:

For more complete manuals. Please go to the home page.

<https://www.ebooklibonline.com>

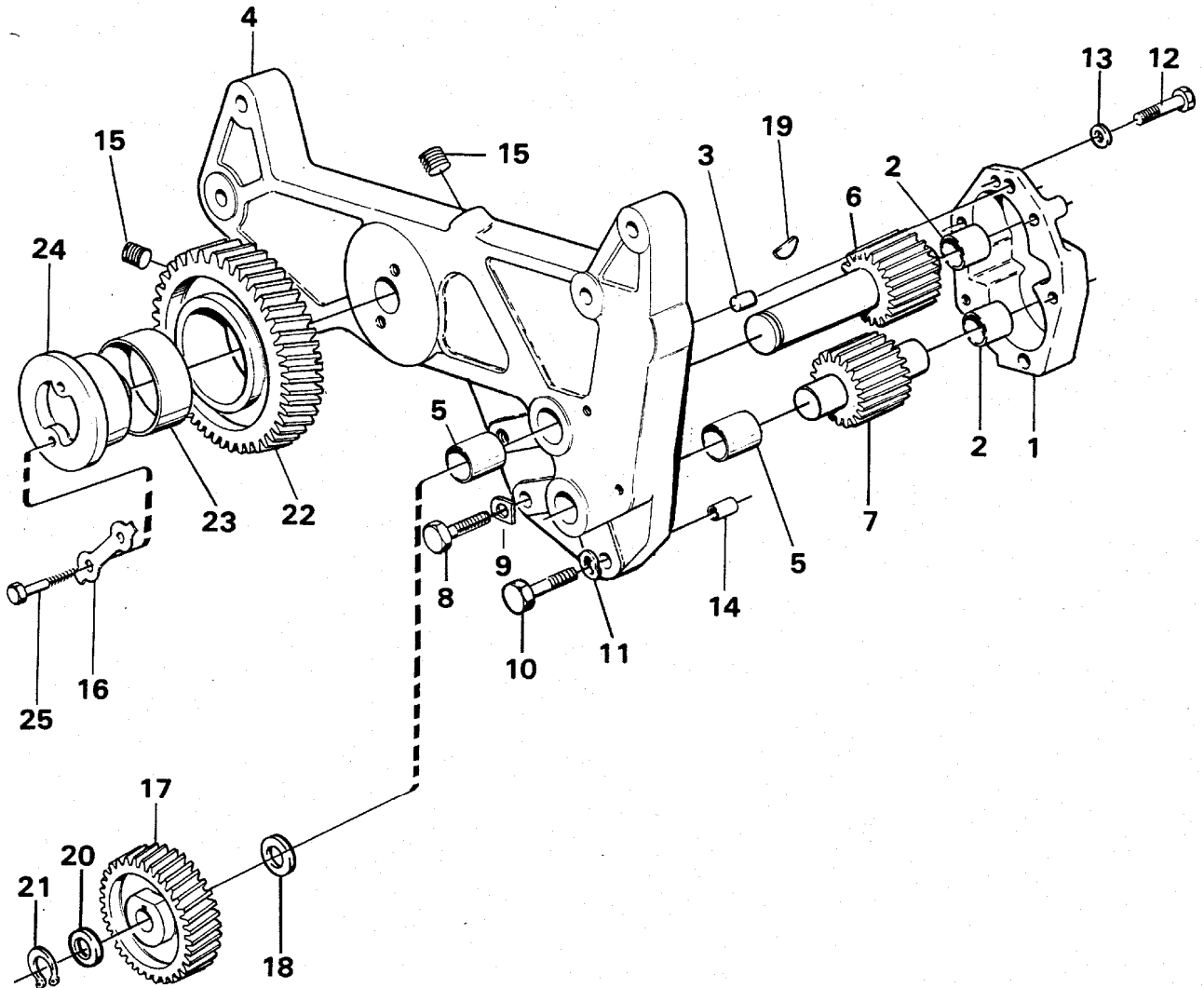
If the above button click is invalid. Please download this document first, and then click the above link to download the complete manual.

Thank you so much for reading

VOLVO

Construction Equipment

Date: 2014/1/26	Image id: 16936B	Catalogue: 97591	Model: L70
Brand: Volvo BM	Serial: 6301-7400, 60001-60500	Group/Section: 22/100	Title: Oil pump



VME Parts Sweden AB
16936 B
 PRINTED IN SWEDEN

Q1-Q5	Option	Option description	
Q1 4804203			
Q2 11030050			

Pos	Part	Q1	Q2	Q3	Q4	Q5	PS	Kit	Description	Option(s)	Remark
	VOE4804203	1					SS		Lubricating pump	oil	ENG - 71874

1		4					NS		Injector		See ref 23/450
2	VOE469797	4							Nozzle retainer		
3	VOE4804589	4							Pin		STD, MO 16323
		4					NS		Pin	VOE16322	
4	VOE4804590	4							Stud		
5	VOE13971068	4							Hexagon nut		(VOE961992)
6	VOE13942336	4							Spring washer		(VOE942336)
7	VOE4804748	1							Delivery pipe		
8	VOE4804749	1							Delivery pipe		
9	VOE4804750	1							Delivery pipe		
10	VOE4804751	1							Delivery pipe		
11	VOE8194353	1							Clamp		(VOE4780054)
12	VOE8194351	2							Clamp		(VOE4786764)
13	VOE4804603	1							Fuel pipe		
14	VOE947620	2							Gasket		
15	VOE7074033	1							Hollow screw		
16		1							Fuel line		See ref 23/50
17	VOE7074034	1							Hollow screw		
18	VOE4804582	1							Leak-off line		
19	VOE7074033	3							Hollow screw		
20	VOE947620	9							Gasket		

<https://www.ebooklibonline.com>

Hello dear friend!

Thank you very much for reading.

Enter the link into your browser.

The full manual is available for immediate download.

<https://www.ebooklibonline.com>