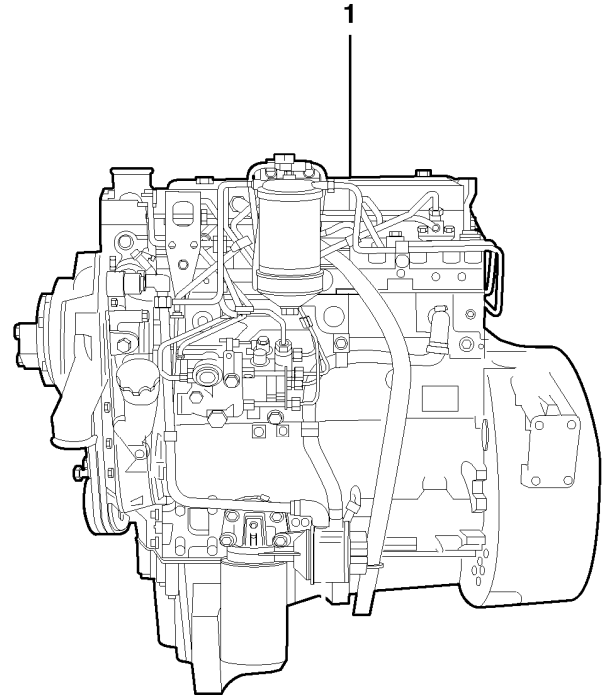
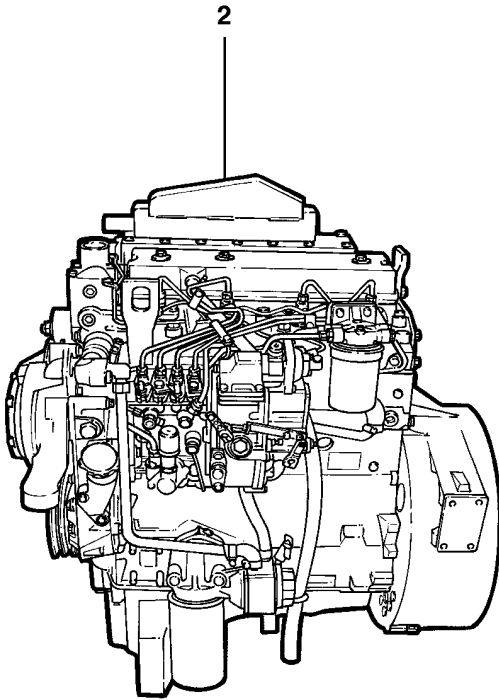


Date: 2014/1/24	Image id: AG380	Catalogue: 97715	Model: L50C
Brand: Volvo BM	Serial: 10006-10966	Group/Section: 210/100	Title: Engine TD40GA, TD40KAE

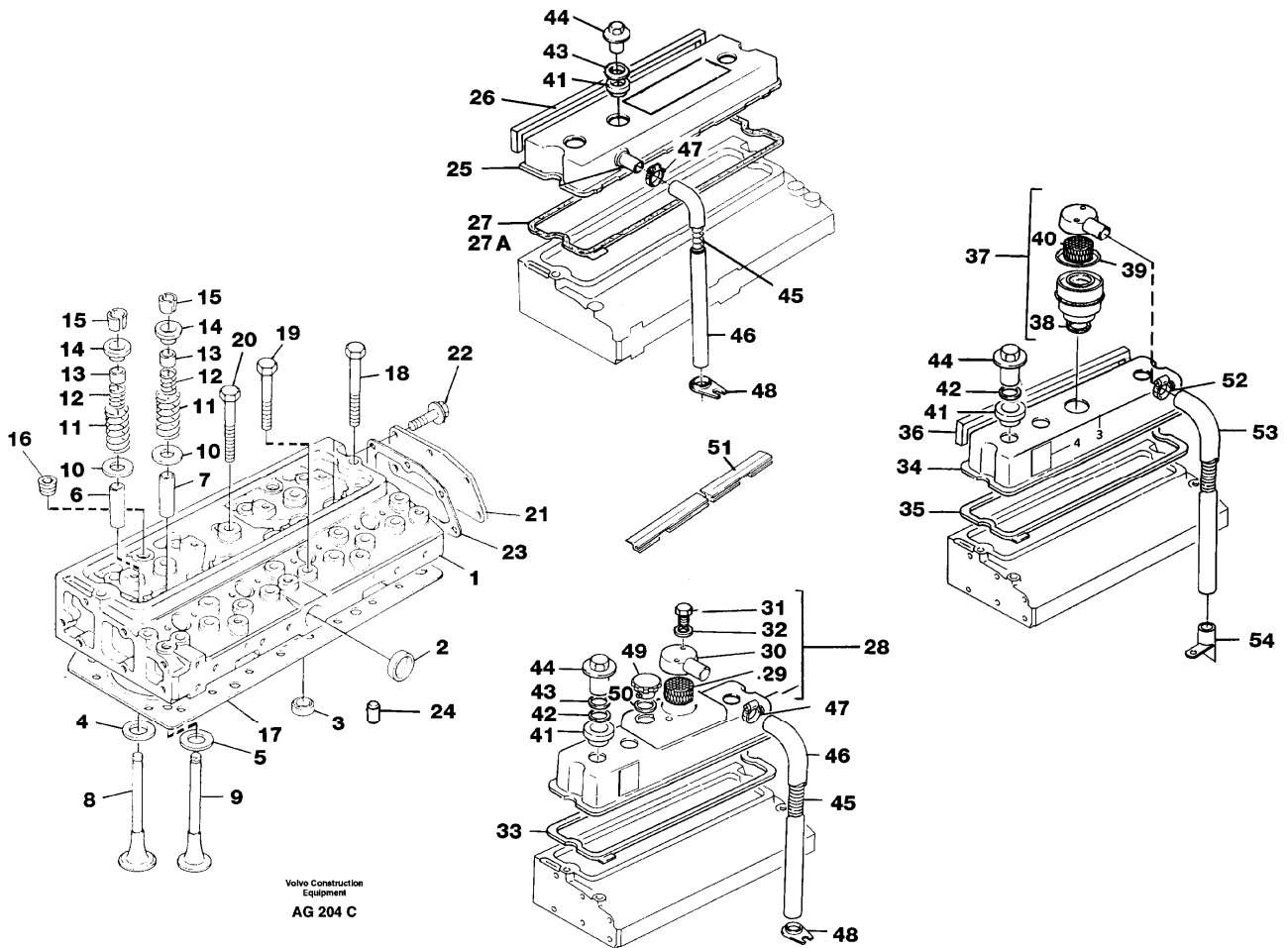


Volvo Construction
Equipment Group
AG 380

Section option	Kit	Option description
VOE11033367		Engine Td40ga
VOE11033630		Low emission engine TD40KAE

Pos	Part	Q1	Q2	Q3	Q4	Q5	PS	Kit	Description	Option(s)	Remark
1	VOE11033367	1							Engine		TD40GA STD L50B SER NO - 10005
	VOE11033367	1							Engine	VOE94573	TD40GA SER NO 10006 -
2	VOE11033630	1							Engine	VOE92326	TD40KAE SER NO - 10005
	VOE11033630	1							Engine		TD40KAE STD L50C SER NO 10006 -

Date: 2014/1/24	Image id: AG204C	Catalogue: 97715	Model: L50C
Brand: Volvo BM	Serial: 10006-10966	Group/Section: 211/50	Title: Cylinder head



Q1-Q5	Option	Option description	
Q1 TD 40 GA			
Q2 TD 40 KAE			

Pos	Part	Q1	Q2	Q3	Q4	Q5	PS	Kit	Description	Option(s)	Remark
	VOE11997835	1					SS		Cylinder head		TD 40 GA, ENG - U608300W
	VOE11988397	1							Cylinder head		(VOE11703595)TD 40 GA
	VOE11701680	1					SS		Cylinder head		TD 40 GA, ENG U608301W -
	VOE11704292	1							Cylinder head		TD 40 GA
	VOE11988398		1						Cylinder head		(VOE11701682) (11999007) TD 40 KAE
1		1	1				NS		•Cylinder head		
2	VOE483898	1	1						•Plug		

3	VOE11997836	4	4						•Plug		
4	VOE11997837	4	4						•Valve seat		Insug/Inlet ENG - U608300W
	VOE15012269	4	4					OP	•Valve seat		Insug/Inlet ENG U608301W -
5	VOE11997017	4							•Valve seat		(VOE11997838)Avgas/ Exhaust, TD 40 GA
	VOE11999008		4					SS	•Valve seat		Avgas/Exhaust, TD 40 KAE
6	VOE11705294	4	4						•Valve guide		(VOE11999009)Inlet/ Insug
7	VOE11705753	4	4						•Valve guide		(VOE11997842)Avgas/ Exhaust
8	VOE11997839	4							•Inlet valve		TD 40 GA, ENG - U608300W
	VOE11997018	4							•Inlet valve		TD 40 GA, ENG U608301W -
	VOE11997839		4						•Inlet valve		TD 40 KAE
9	VOE11997841	4	4						•Exhaust valve		
10	VOE6642514	8	8						•Washer		
11	VOE11991724	8	8						•Spring		
12	VOE11991725	8	8						•Spring		
13	VOE484071	8	8						•Sealing		
14	VOE11991726	8	8						•Spring plate		
15	VOE483530	16	16						•Valve sleeve		(VOE7483530)
16	VOE11997843	4	4						•Plug		
17	VOE3976803	1	1						Gasket		(VOE11701545) (11997847)
18	VOE11997844	2	2						Screw		
19	VOE11997845	8	8						Bolt		
20	VOE11997846	12	12						Bolt		
21	VOE11998044	1	1						Plate		
22	VOE946440	3	3						Flange screw		
23	VOE11998156	1	1						Gasket		
24	VOE11701546	2							Dowel		E-PROD
	VOE11703880	2							Dowel		L-PROD
	VOE11701546		2						Dowel		
25	VOE11997989	1						SS	Casing		ENG - 28/2 1994, REPL BY 11701697
	VOE11701697	1						OP	Valve cover		ENG - 28/2 1994
	VOE11998901		1					SS	Casing		ENG - 28/2 1994, REPL BY 11997203
26	VOE11998004	1							•Sealing		
	VOE11999024		1						•Sealing		
27	VOE11701586	1							•Gasket		(VOE11998000)FOR 11997989
	VOE11701586	1							•Gasket		FOR 11701697
	VOE11701586		1						•Gasket		(VOE11998000)
27A	VOE11998155	1							Gasket		ENG - U584840V
28	VOE11997203	1						SS	Valve cover		ENG 1/3 1994 -, (E

<https://www.ebooklibonline.com>

Hello dear friend!

Thank you very much for reading.

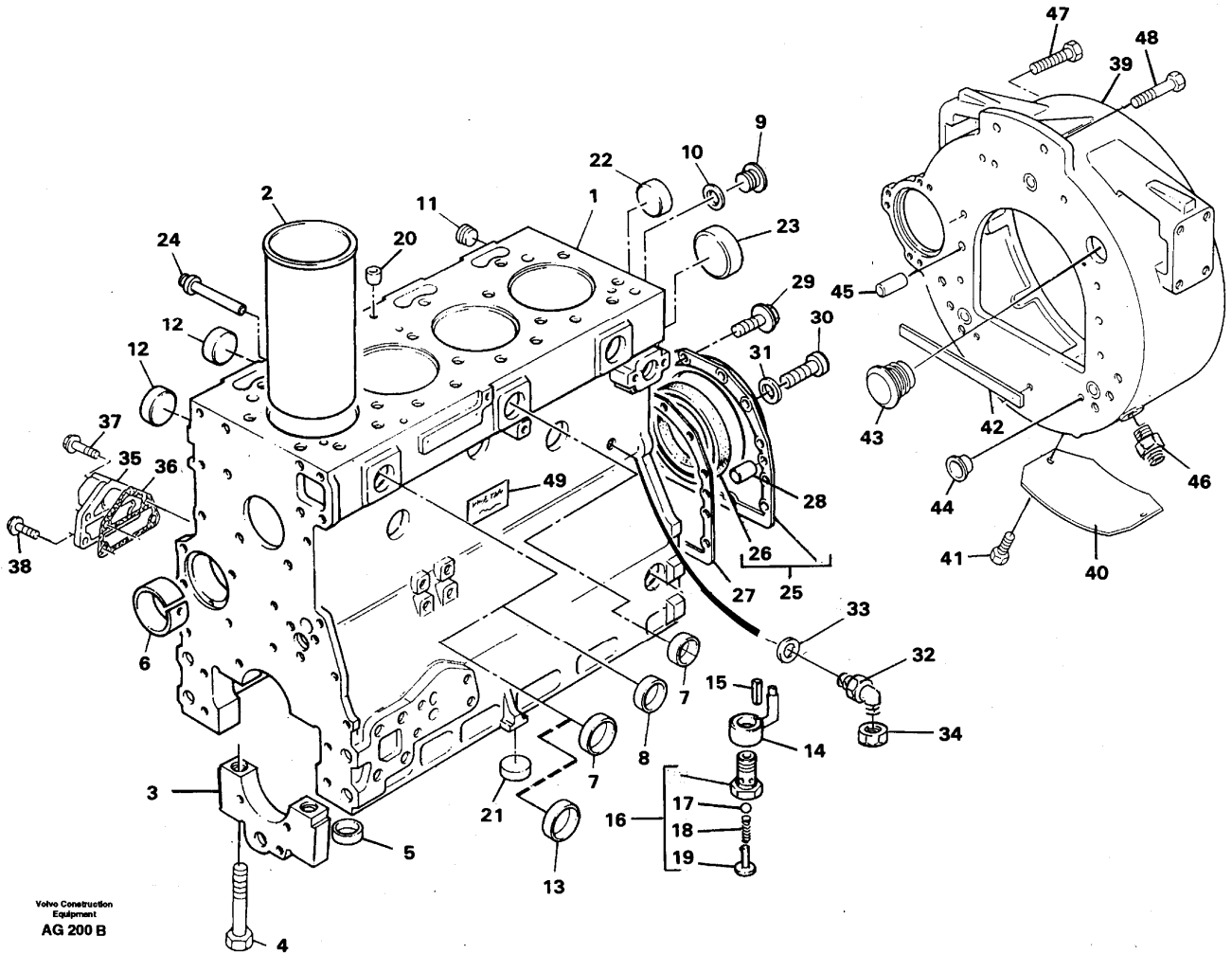
Enter the link into your browser.

The full manual is available for immediate download.

<https://www.ebooklibonline.com>

											PROD) Repl By 11701698+11701701
	VOE11997203		1				SS		Valve cover		ENG 1/3 1994 -, (E PROD) Repl By 11701704+11701701
29	VOE11700786	1	1						•Strainer		
30	VOE11700787	1	1						•Connector		
31	VOE13965175	2	2						•Screw		
32	VOE190619	2	2						•Washer		
33	VOE11998155	1	1						Gasket		ENG 1/3 1994-, (E PROD) FOR 11997203
34	VOE11701698	1							Valve cover		ENG 1/3 1994 - (L PROD)
	VOE11701704		1				OP		Valve cover		ENG 1/3 1994 - (L PROD)
35	VOE11701586	1	1						•Gasket		
36	VOE11998004	1							•Sealing		
	VOE11999024		1						•Sealing		
37	VOE11708343	1	1						Valve		(VOE11701701)ENG 1/3 1994 - (L PROD)
38	VOE11701588	1	1						•O-ring		
39	VOE11701702	1	1						•O-ring		
40	VOE11707285	1	1						•Strainer		(VOE11701703)
41	VOE11997049	3	3						Sealing ring		(VOE11998002)
42	VOE13955900	3	3						Washer		
43	VOE11998003	3	3						Shim		ENG - 28/2 1994, FOR 11997203
44	VOE11988395	3	3						Nut		(VOE11999025)
45	VOE11997992	1	1						Spring		
46	VOE11999544	1	1						Hose		ENG - 28/2 1994, FOR 11997203
47	VOE943473	1	1						Hose clamp		(VOE11997993)ENG - 28/2 1994
	VOE11700788	1	1						Hose clamp		ENG 1/3 1994 - (E PROD) FOR 11997203
48	VOE11997994	1	1						Bracket		ENG - 28/2 1994, FOR 11997203
49	VOE11997998	1	1						Cap		ENG 1/3 1994 - (E PROD) FOR 11997203
50	VOE11997999	1	1						Sealing ring		ENG 1/3 1994 - (E PROD) FOR 11997203
51	VOE11999545	1					OP		Sealing		ENG 1/3 1994 - (E PROD)
52	VOE11701648	1	1				SS		Hose clamp		ENG 1/3 1994 - (L PROD)
53	VOE11712515	1	1						Hose		(VOE11701699)ENG 1/3 1994 - (L PROD)
54	VOE11701700	1	1						Pipe		ENG 1/3 1994 - (L PROD)

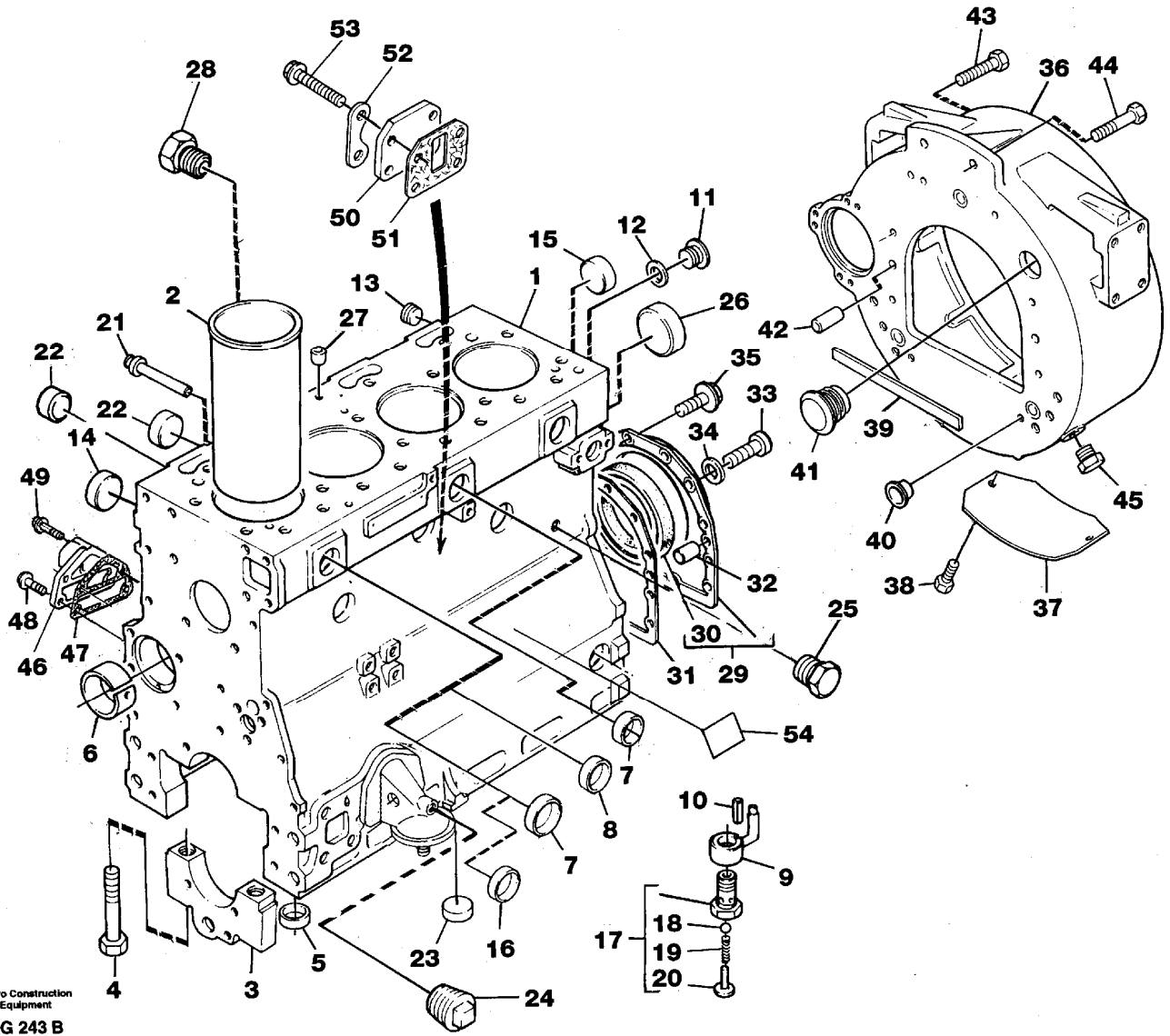
Date: 2014/1/24	Image id: AG200B	Catalogue: 97715	Model: L50C
Brand: Volvo BM	Serial: 10006-10966	Group/Section: 212/50	Title: Cylinder block TD 40 GA



Pos	Part	Q1	Q2	Q3	Q4	Q5	PS	Kit	Description	Option(s)	Remark
1	VOE11701694	1							Cylinder block		
2		4							•Cylinder liner		See ref 213/100
3		5					NS		•Bearing carrier		
4	VOE6210370	10							•Screw		
5	VOE483302	10							•Guide sleeve		(VOE7483302)
6	VOE3976506	1							•Bushing		(VOE11997806)
7	VOE483898	6							•Plug		
8	VOE11997805	1							•Plug		
9	VOE483445	1							•Plug		(VOE7483445)
10	VOE11997810	1							•Washer		
11	VOE968147	1							•Plug		(VOE13926886)
12	VOE11997807	7							•Plug		
13	VOE11700782	1							•Plug		

14	VOE11714691	4							•Nozzle		(VOE11997815)
15	VOE11997816	4							•Dowel		
16	VOE11997817	4							•Valve		
17	VOE11997818	4							••Ball		
18	VOE11997819	4							••Spring		
19	VOE11997820	4							••Retainer		
20	VOE483645	1							Plug		(VOE7483645)
21	VOE6637386	1							Plug		
22	VOE11997807	2							Plug		
23	VOE11997809	1					SS		Plug		
	VOE3976749	1							Plug		
24	VOE11997808	1							Plug		
25	VOE11998999	1							Cover		ENG - U176356H
26	VOE6212971	1							•Sealing ring		
27	VOE11706327	1							Gasket		(VOE11997013)
28	VOE480219	2							Pin		(VOE7480219)
29	VOE13946173	10							Screw		(VOE946173)
30	VOE11997812	2							Screw		ENG - U690755A
	VOE11997014	2							Screw		ENG U690756A -
31	VOE11991729	2					OP		Washer		ENG - U690755A
32	VOE4881042	1							Elbow nipple		
33	VOE932040	1							O-ring		
34	VOE4821971	1							Blind nut		
35	VOE11998028	1							Adapter		
36	VOE11998009	1							Gasket		(VOE11998163)
37	VOE11998030	1							Screw		
38	VOE11998031	3							Screw		
39	VOE11997942	1					SS		Flywheel housing		
40		1					NS		Plate		
41	VOE11998909	2							Screw		E PROD
	VOE11703608	2							Screw		L PROD
42	VOE6211401	1							Gasket		(VOE11702569)
43	VOE11997943	1							Plug		
44	VOE11997935	3							Plug		
45	VOE483449	2							Pin		(VOE7483449)
46	VOE11039362	1							Induction sensor		SE3
47	VOE11701723	6					SS		Screw		
48	VOE13965191	2							Screw		(VOE11997884)
49	VOE11100922	1							Sign		(VOE11033695)

Date: 2014/1/24	Image id: AG243B	Catalogue: 97715	Model: L50C
Brand: Volvo BM	Serial: 10006-10966	Group/Section: 212/100	Title: Cylinder block TD 40 KAE

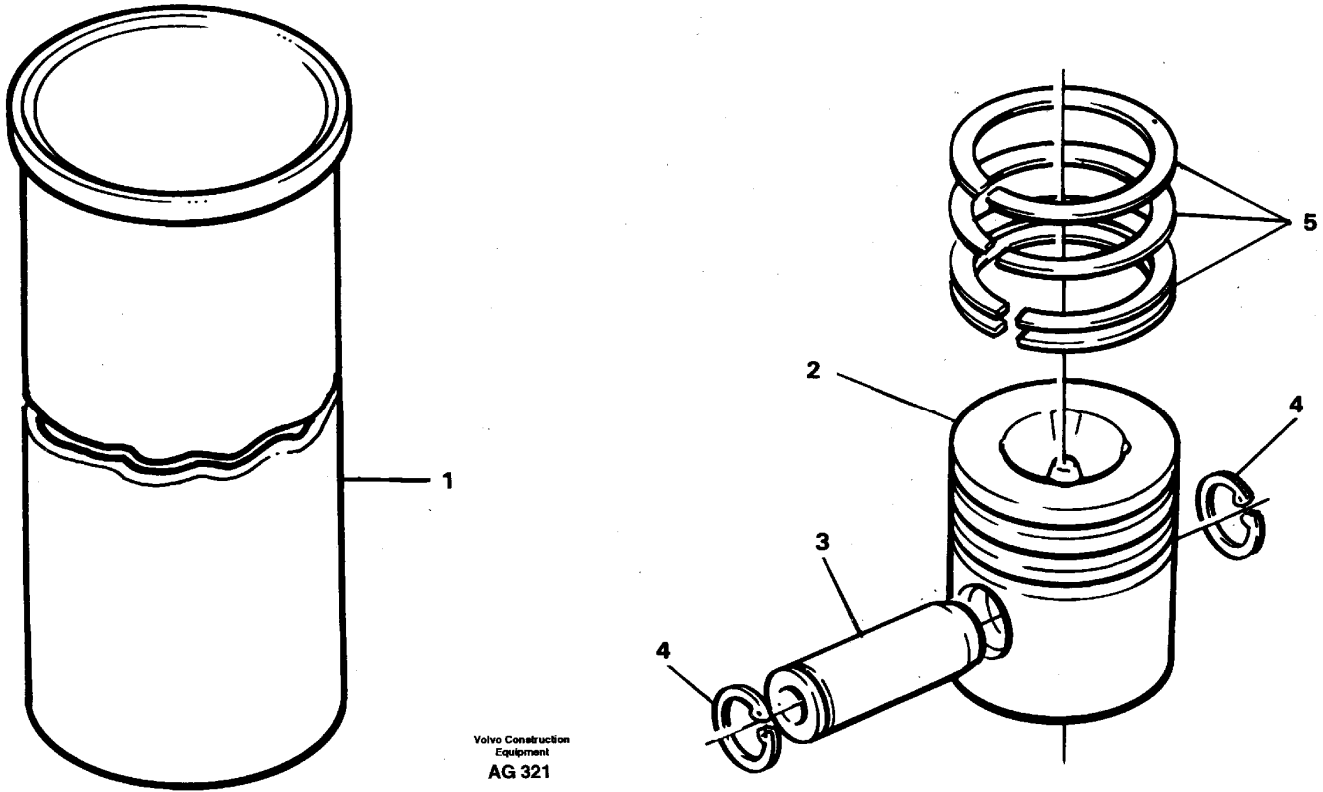


Pos	Part	Q1	Q2	Q3	Q4	Q5	PS	Kit	Description	Option(s)	Remark
1	VOE11704870	1					SS		Cylinder block		(VOE11701523)
2		4							•Cylinder liner		See ref 213/100
3		5					NS		•Bearing carrier		
4	VOE6210370	10							•Screw		
5	VOE483302	10							•Guide sleeve		(VOE7483302)
6	VOE3976506	1							•Bushing		(VOE11997806)
7	VOE483898	6							•Plug		
8	VOE11997805	1							•Plug		
9	VOE11714691	4							•Nozzle		(VOE11997815)

10	VOE11997816	4							•Dowel		
11	VOE483445	1							•Plug		(VOE7483445)
12	VOE11997810	1							•Washer		
13	VOE968147	1							•Plug		(VOE13926886)
14	VOE11997807	4							•Plug		
15	VOE11997807	2							•Plug		
16	VOE11700782	1							•Plug		
17	VOE11997817	4							•Valve		
18	VOE11997818	4							••Ball		
19	VOE11997819	4							••Spring		
20	VOE11997820	4							••Retainer		
21	VOE11997808	1							Plug		
22	VOE11997807	4							Plug		
23	VOE6637386	1							Plug		
24	VOE7016325	1							Plug		(VOE11998139)
25	VOE482291	1							Plug		
26	VOE11997809	1					SS		Plug		
27	VOE483645	1							Plug		(VOE7483645)
28	VOE482291	1							Plug		(VOE7482291)
29	VOE11998999	1							Cover		
30	VOE6212971	1							•Sealing ring		
31	VOE11706327	1							Gasket		(VOE11999000)
32	VOE480219	2							Pin		(VOE7480219)
33	VOE11997812	2							Screw		ENG - U690755A
	VOE11997014	2							Screw		ENG U690756A -
34	VOE11991729	2					OP		Washer		ENG - U690755A
35	VOE13946173	10							Screw		(VOE946173)
36	VOE11997942	1					SS		Flywheel housing		
37		1					NS		Plate		
38	VOE11998909	2							Screw		E PROD
	VOE11703608	2							Screw		L PROD
39	VOE6211401	1							Gasket		(VOE11702569)
40	VOE11997935	3							Plug		
41	VOE11997943	1							Plug		
42	VOE483449	2							Pin		(VOE7483449)
43	VOE11701723	6					SS		Screw		
44	VOE13965191	2							Screw		(VOE11997884)
45	VOE13966143	1							Plug		(VOE11997892)
46	VOE11998028	1							Adapter		
47	VOE11998009	1							Gasket		(VOE11998009)
48	VOE11998030	1							Screw		
49	VOE11998031	3							Screw		
50	VOE11998953	1							Plate		
51	VOE11700965	1							Gasket		(VOE11998123)
52	VOE6646984	2							Plate		
53	VOE13946173	4							Screw		(VOE946173)L = 20
	VOE946440	1							Flange screw		L = 16

54	VOE11100921	1						Sign		(VOE11033696)
----	-------------	---	--	--	--	--	--	------	--	---------------

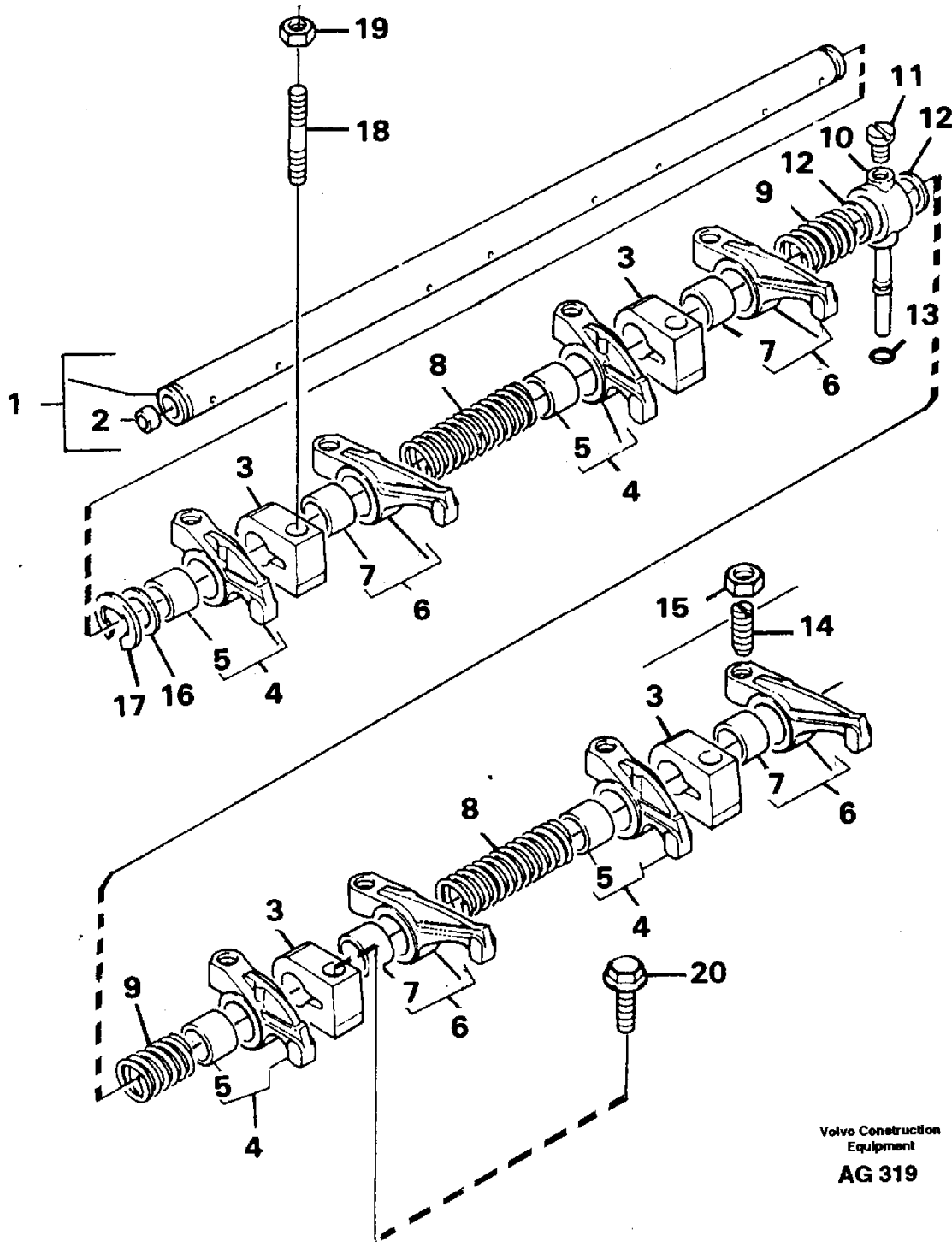
Date: 2014/1/24	Image id: AG321	Catalogue: 97715	Model: L50C
Brand: Volvo BM	Serial: 10006-10966	Group/Section: 213/100	Title: Cylinder liner and piston



Q1-Q5	Option	Option description	
Q1 TD 40 GA			
Q2 TD 40 KAE			

Pos	Part	Q1	Q2	Q3	Q4	Q5	PS	Kit	Description	Option(s)	Remark
1	VOE11998671	4							Cylinder Liner		
	VOE11998997		4						Cylinder Liner		
2	VOE11999181	4							Piston Kit		
	VOE11700813		4						Piston Kit		Grade / Klass L
3		4	4				NS		•Piston pin		
4	VOE11997831	8							•Lock Ring		
	VOE11998877		8						•Snap Ring		
5	VOE11999927	4	4						Piston Ring Kit		(11999006)

Date: 2014/1/24	Image id: AG319	Catalogue: 97715	Model: L50C
Brand: Volvo BM	Serial: 10006-10966	Group/Section: 214/100	Title: Valve mechanism

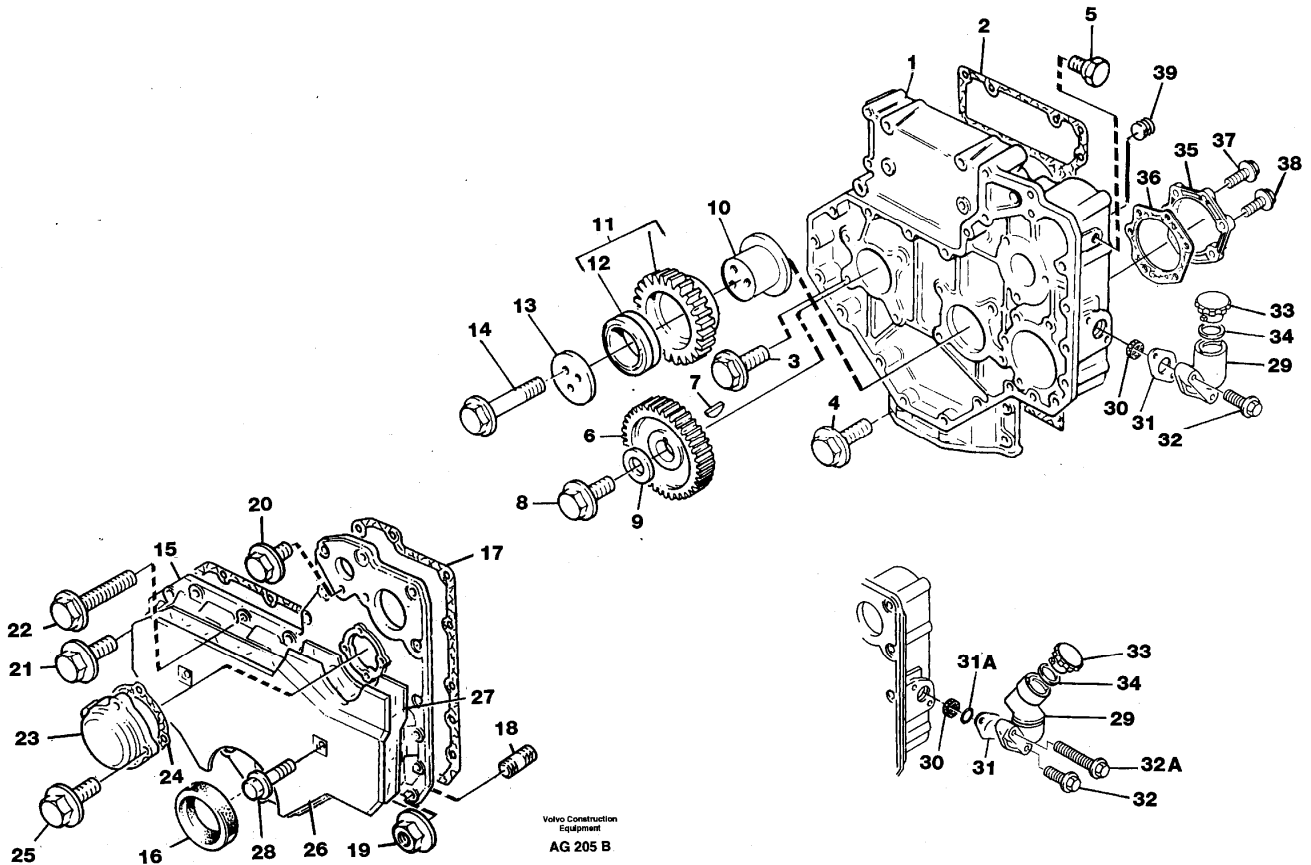


Volvo Construction
Equipment
AG 319

Pos	Part	Q1	Q2	Q3	Q4	Q5	PS	Kit	Description	Option(s)	Remark
	VOE11701547	1							Rocker Arm Kit		(11997849)

1	VOE483361	1							•Rocker Arm Shaft		
2	VOE6613201	2							••Plug		
3	VOE11997850	4							•Bearing Bracket		
4	VOE11704518	4							•Rocker Arm		(11997851)(11701548)
5	VOE11998104	4							••Bushing		
6	VOE11704584	4							•Rocker Arm		(11994053)(11701549)
7	VOE11998104	4							••Bushing		
8	VOE483363	2							•Spring		(VOE7483363)
9	VOE483364	2							•Spring		(VOE7483364)
10	VOE11997853	1							•Pipe		
11	VOE11997854	1							•Screw		
12	VOE11997855	2							•Shim		
13	VOE483510	1							Sealing ring		(VOE7483510)
14	VOE3976859	8							•Stud		(VOE6616717)
15	VOE940175	8							•Nut		
16	VOE11997856	2							•Washer		
17	VOE483470	2							•Lock Ring		(VOE7483470)
18	VOE11997857	3							Stud		
19	VOE13971096	3							Flange nut		
20	VOE11997858	1							Screw		

Date: 2014/1/24	Image id: AG205B	Catalogue: 97715	Model: L50C
Brand: Volvo BM	Serial: 10006-10966	Group/Section: 215/50	Title: Timing gear casing



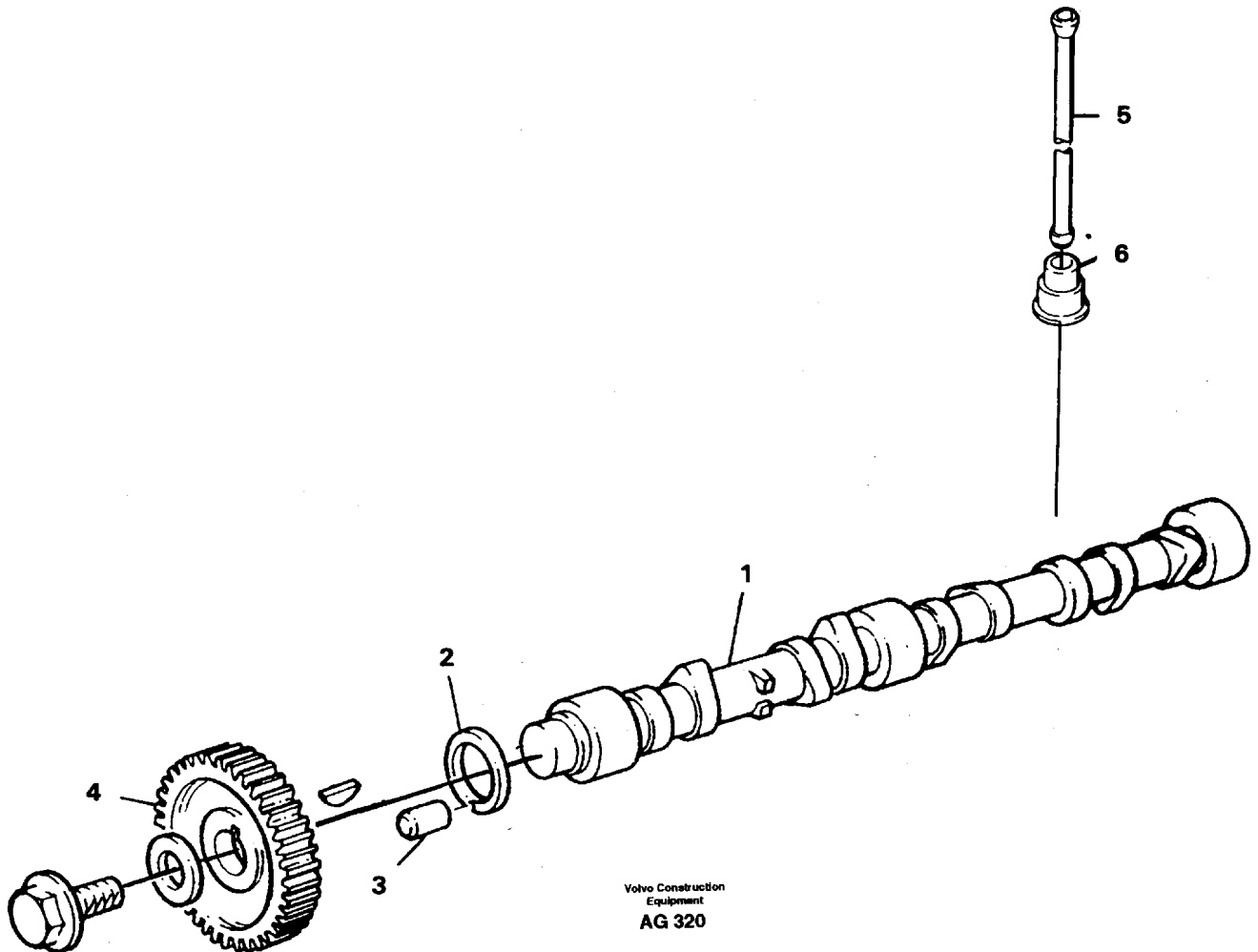
Q1-Q5	Option	Option description	
Q1 TD 40 GA			
Q2 TD 40 KAE			

Pos	Part	Q1	Q2	Q3	Q4	Q5	PS	Kit	Description	Option(s)	Remark
1	VOE11716115	1							Timing gear casing		(VOE11997878)
	VOE11703596		1						Timing gear casing		(VOE11998873)
2	VOE11711203	1	1						Gasket		(VOE11997879)
3	VOE13946173	8	8						Screw		(VOE946173)
4	VOE11997880	4	4						Screw		
5	VOE11999012	1	1						Plug		
6	VOE11700783	1	1						Gear		(VOE11997883)
7	VOE483448	1	1						Key		(VOE7483448)
8	VOE13965191	1	1						Screw		(VOE11997884)ENG - U714154A
	VOE11701555	1	1						Screw		ENG U714155A -
9	VOE11997885	1	1						Washer		
10	VOE6642825	1	1						Hub		

11	VOE11997886	1	1						Gear		
12		1	1				NS		•Bushing		
13	VOE11701556	1	1				SS		Plate		
14	VOE13965187	3	3						Screw		
15	VOE11997887	1					SS		Timing gear cover		
	VOE11998874		1				SS		Timing gear cover		
16	VOE6212928	1	1						•Sealing ring		
17	VOE11988378	1	1						Gasket		(VOE11997888)
18	VOE11997915	2	2						Stud		
19	VOE13945408	2	2						Nut		
20	VOE13965181	6	6						Screw		
21	VOE13945444	1							Screw		
	VOE946671		6						Flange screw		(VOE11997901)
22	VOE946671	6							Flange screw		(VOE11997901)
23	VOE11997890	1	1						Cover		
24	VOE11997891	1							Gasket		
	VOE11997891		1						Gasket		(VOE11999011)
25	VOE11997893	4	4				SS		Screw		
26	VOE11701557	1	1						Shield		ENG U690756A -
27	VOE11701558	1	1						Damper		ENG U690756A -
28	VOE945358	2	2						Flange screw		(VOE13945358)ENG U690756A -
29	VOE11997995	1					OP		Housing		ENG - U624044X
	VOE11999026	1					SS		Filler housing		ENG U624045X -
	VOE11999026		1				SS		Filler housing		E PROD
	VOE11704298	1	1						Housing		(VOE11701705)L PROD
30	VOE11997996	1	1						Strainer		
31	VOE11997997	1							Gasket		(VOE11999476)ENG - U624044X
	VOE11997997	1							Gasket		ENG U624045X -
31A	VOE11999029	1	1						O-ring		ENG U624045X -
32	VOE13947760	2							Screw		ENG - U624044X
	VOE13947760	1	1						Screw		ENG U624045X -
32A	VOE11998055	1	1						Screw		ENG U624045X -
33	VOE11997998	1							Cap		ENG - U624044X
	VOE11999027	1	1				SS		Cap		ENG U624045X - , FOR 11999026
	VOE11701706	1	1						Cap		FOR 11701705
34	VOE11999028	1	1						•O-ring		ENG U624045X -
	VOE11997999	1							Sealing ring		ENG - U624044X
35	VOE11998060	1	1				SS		Spacer		E PROD
	VOE11709021	1	1						Cover		(VOE11703637)L PROD
36	VOE11998164	1	1						Gasket		
37	VOE11997880	5	5						Screw		E PROD
	VOE11703638	5	5						Screw		L PROD
38	VOE946472	1	1						Flange screw		E PROD
	VOE946441	1	1						Flange screw		L PROD

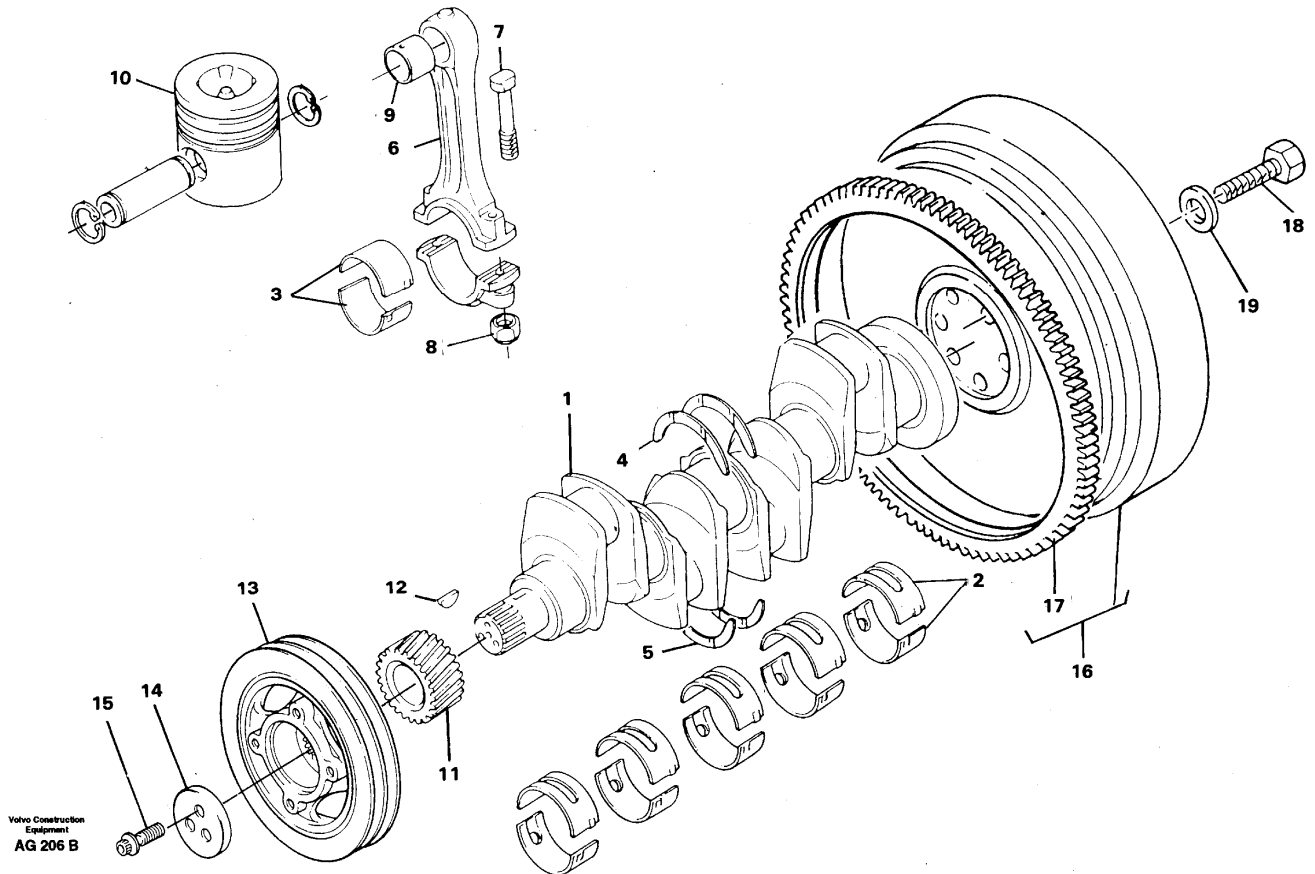
39	VOE479977	1	1					Plug		(VOE952077)
----	-----------	---	---	--	--	--	--	------	--	-------------

Date: 2014/1/24	Image id: AG320	Catalogue: 97715	Model: L50C
Brand: Volvo BM	Serial: 10006-10966	Group/Section: 215/100	Title: Camshaft



Pos	Part	Q1	Q2	Q3	Q4	Q5	PS	Kit	Description	Option(s)	Remark
1	VOE11997881	1					SS		Camshaft		ENG - U714154A
	VOE11701554	1							Camshaft		ENG U714155A -
2	VOE11997882	1							Washer		ENG NO -U747462B ENG NO U758107B-
	VOE11703362	1					OP		Washer		ENG NO U747463B- ENG NO -U758106B
3	VOE6210552	1							Pin		
4		1							Gear		See ref 215/50
5	VOE483371	8							Push rod		
6	VOE3976551	8							Tappet		(VOE483370)

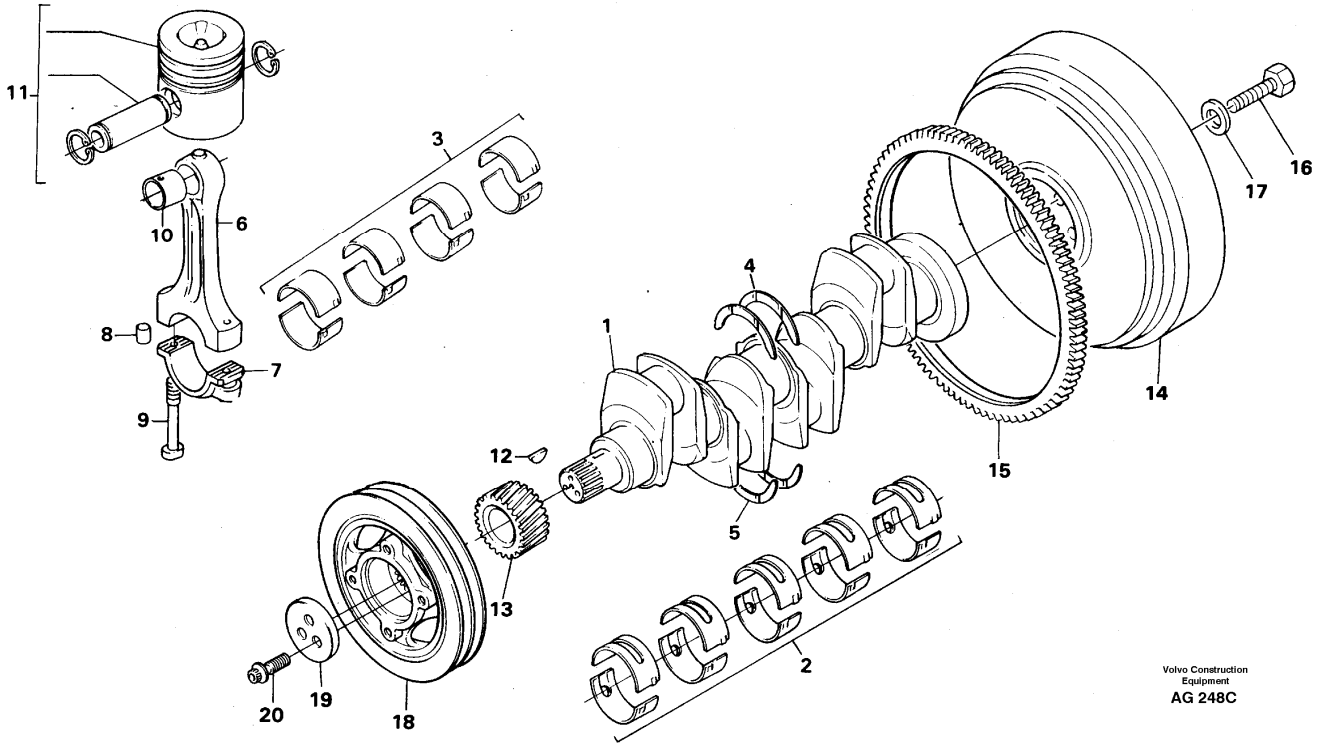
Date: 2014/1/24	Image id: AG206B	Catalogue: 97715	Model: L50C
Brand: Volvo BM	Serial: 10006-10966	Group/Section: 216/50	Title: Crankshaft and related parts TD 40 GA



Pos	Part	Q1	Q2	Q3	Q4	Q5	PS	Kit	Description	Option(s)	Remark
1	VOE11999180	1					SS		Crankshaft		REPL BY 11999001
	VOE11706646	1							Crankshaft		(VOE11999001)
2	VOE483350	1							•Main bearing kit		STD SZ
	VOE483351	1							•Main bearing kit		(VOE7483351)0,25 U SZ
	VOE483352	1							•Main bearing kit		(VOE7483352)0,50 U SZ
	VOE483353	1							•Main bearing kit		(VOE7483353)0,75 U SZ
3	VOE11997824	1							•Big End Brg Kit		STD SZ
	VOE11997825	1							•Big End Brg Kit		0.25 U SZ
	VOE11997826	1							•Big End Brg Kit		0.50 U SZ
	VOE11997827	1							•Big End Brg Kit		0.75 U SZ
4	VOE483336	2							•Thrust washer		(VOE7483336)STD SZ
	VOE483338	2							•Thrust washer		0,19 O SZ
5	VOE483337	2							•Thrust washer		(VOE7483337)STD SZ
	VOE483339	2							•Thrust washer		(VOE7483339)0,19 O

										SZ
6	VOE11714606	4						OP	Connecting rod kit	(VOE11997828)
7	VOE11705494	8							•Screw	(VOE7483346)
8	VOE6212806	8							•Nut	
9	VOE11997829	4							•Bearing bushing	
10		4							Piston	See ref 213/100
11	VOE11997833	1							Gear	
12	VOE483448	1							Key	(VOE7483448)
13	VOE11997969	1							Pulley	
14	VOE11997970	1							Block	
15	VOE11997971	3							Screw	
16	VOE11997944	1						SS	Flywheel	ENG - 1/7 1994
	VOE11999539	1							Flywheel	ENG 2/7 1994 -
17	VOE11997947	1							•Gear ring	
18	VOE11997945	6							Bolt	ENG - 1/7 1994
	VOE11997945	12							Bolt	ENG 2/7 1994 - U774801B
	VOE11997945	10							Bolt	ENG NO U774811B-
19	VOE11997946	6							Washer	ENG - 1/7 1994
	VOE11997946	12							Washer	ENG 2/7 1994 - U774810B
	VOE11997946	10							Washer	ENG NO U774811B-

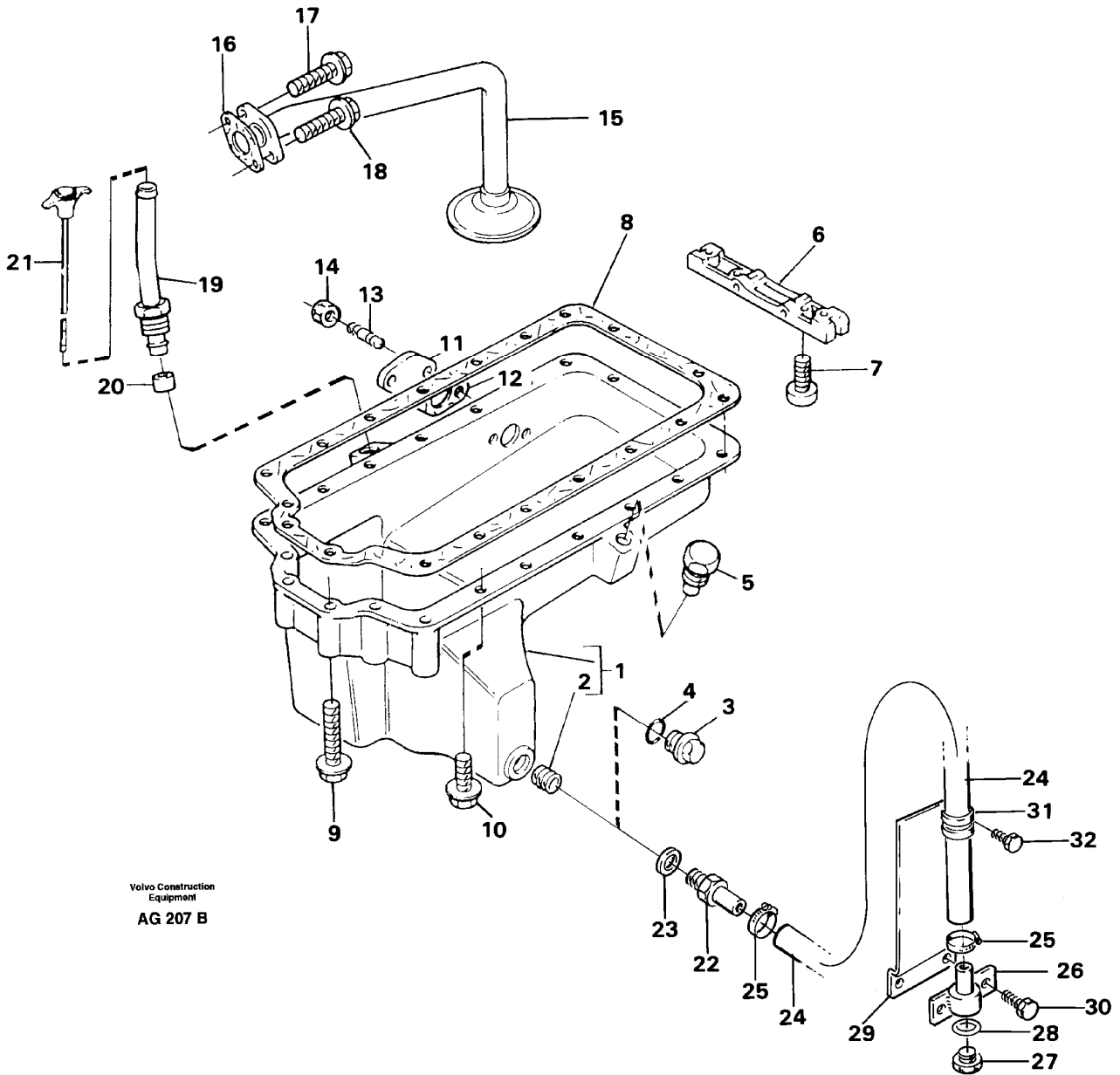
Date: 2014/1/24	Image id: AG248C	Catalogue: 97715	Model: L50C
Brand: Volvo BM	Serial: 10006-10966	Group/Section: 216/100	Title: Crankshaft and related parts TD 40 KAE



Pos	Part	Q1	Q2	Q3	Q4	Q5	PS	Kit	Description	Option(s)	Remark
	VOE11706646	1							Crankshaft		(VOE11999001)
1		1					NS		•Crankshaft		
2	VOE483350	1							•Mn Bearing Kit		(VOE7483350)STD SZ
	VOE483351	1							•Mn Bearing Kit		(VOE7483351)0,25 U SZ
	VOE483352	1							•Mn Bearing Kit		(VOE7483352)0,50 U SZ
	VOE483353	1							•Mn Bearing Kit		(VOE7483353)0,75 U SZ
3	VOE11997824	1							•Big End Brg Kit		STD SZ
	VOE11997825	1							•Big End Brg Kit		0,25 U SZ
	VOE11997826	1							•Big End Brg Kit		0,50 U SZ
	VOE11997827	1							•Big End Brg Kit		0,75 U SZ
4	VOE483336	2							•Thrust Washer		(VOE7483336)STD SZ
	VOE483338	2							•Thrust Washer		0,19 O SZ
5	VOE483337	2							•Thrust Washer		(VOE7483337)STD SZ
	VOE483339	2							•Thrust Washer		(VOE7483339)0,19 O SZ
	VOE11999002	4							Connecting Rod Kit		
6		4					NS		•Connecting rod		

7		4					NS		•Cap		
8	VOE11999005	8							•Socket		
9	VOE11999004	8							•Screw		
10	VOE11999621	4							•Bearing Bushing		(VOE11999003)
11		4							Piston		See ref 213/100
12	VOE483448	1							Key		(VOE7483448)
13	VOE11997833	1							Gear		CONNECTING ROD / VEVAXEL
14	VOE11997944	1					SS		Flywheel		ENG - 1/7 1994
	VOE11999539	1							Flywheel		ENG 2/7 1994 -
15	VOE11997947	1							•Gear Ring		
16	VOE11997945	6							Bolt		ENG - 1/7 1994
	VOE11997945	12							Bolt		ENG 2/7 1994 - U774810B
	VOE11997945	10							Bolt		ENG NO B774811B-
17	VOE11997946	6							Washer		ENG - 1/7 1994
	VOE11997946	12							Washer		ENG 2/7 1994 - U774810B
	VOE11997946	10							Washer		ENG NO U774810B-
18	VOE11997969	1							Strap		
19	VOE11997970	1							Block		
20	VOE11997971	3							Screw		

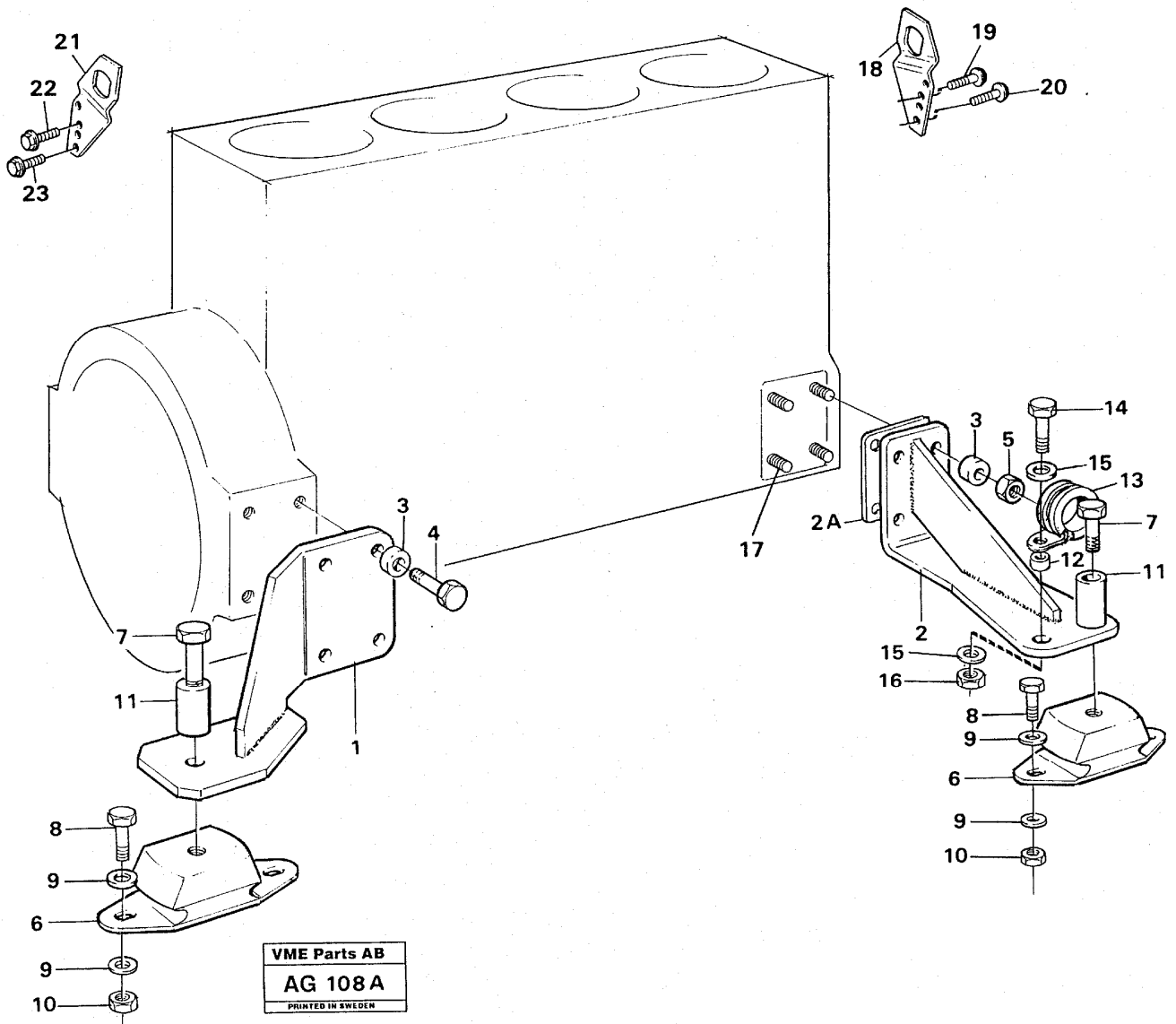
Date: 2014/1/24	Image id: AG207B	Catalogue: 97715	Model: L50C
Brand: Volvo BM	Serial: 10006-10966	Group/Section: 217/50	Title: Oil sump



Pos	Part	Q1	Q2	Q3	Q4	Q5	PS	Kit	Description	Option(s)	Remark
1	VOE11997972	1							Oil pan		
2	VOE11997987	2							•Insert sleeve		
3	VOE11997973	2							Plug		SER NO - 9342
4	VOE11997974	2							O-ring		
5	VOE11997975	1							Plug		
6	VOE11701581	1							Bridge		(11997259)
7	VOE11997813	2					SS		Screw		

8	VOE11997979	1							Gasket		
9	VOE13965182	6							Screw		
10	VOE13946173	14							Screw		(VOE946173)
11	VOE11997976	1							Plate		
12	VOE11988389	1							Gasket		(VOE11997977)
13	VOE13946173	2							Screw		(VOE11997889)
14	VOE13945408	2							Nut		
15	VOE11997980	1							Pipe		
16	VOE11997981	1							Gasket		
17	VOE11997982	1							Screw		
18	VOE11997983	1							Screw		
19	VOE11999014	1							Pipe		E PROD
	VOE11703345	1							Tube		(VOE11701831)L PROD
20	VOE11997985	1							O-ring		
21	VOE11999023	1					SS		Dipstick		E PROD
	VOE11701813	1							Dipstick		L PROD
22	VOE11091711	1							Hose nipple		SER NO 9343 -
23	VOE944250	1							Gasket		SER NO 9343 -
24	VOE13961191	REQ							Hydraulic hose		SER NO 9343 - , L=560MM
25	VOE13943472	2							Hose clamp		(VOE943472)SER NO 9343 -
26	VOE4850236	1							Nipple		SER NO 9343 -
27	VOE926370	1							Plug		SER NO 9343 -
28	VOE958225	1							O-ring		SER NO 9343 -
29	VOE11091759	1							Hose retainer		SER NO 9343 -
30	VOE946671	2							Flange screw		SER NO 9343 -
31	VOE952633	1							Clamp		SER NO 9343 -
32	VOE13946544	1							Screw		SER NO 9343 -

Date: 2014/1/24	Image id: AG108A	Catalogue: 97715	Model: L50C
Brand: Volvo BM	Serial: 10006-10966	Group/Section: 218/50	Title: Engine mounting

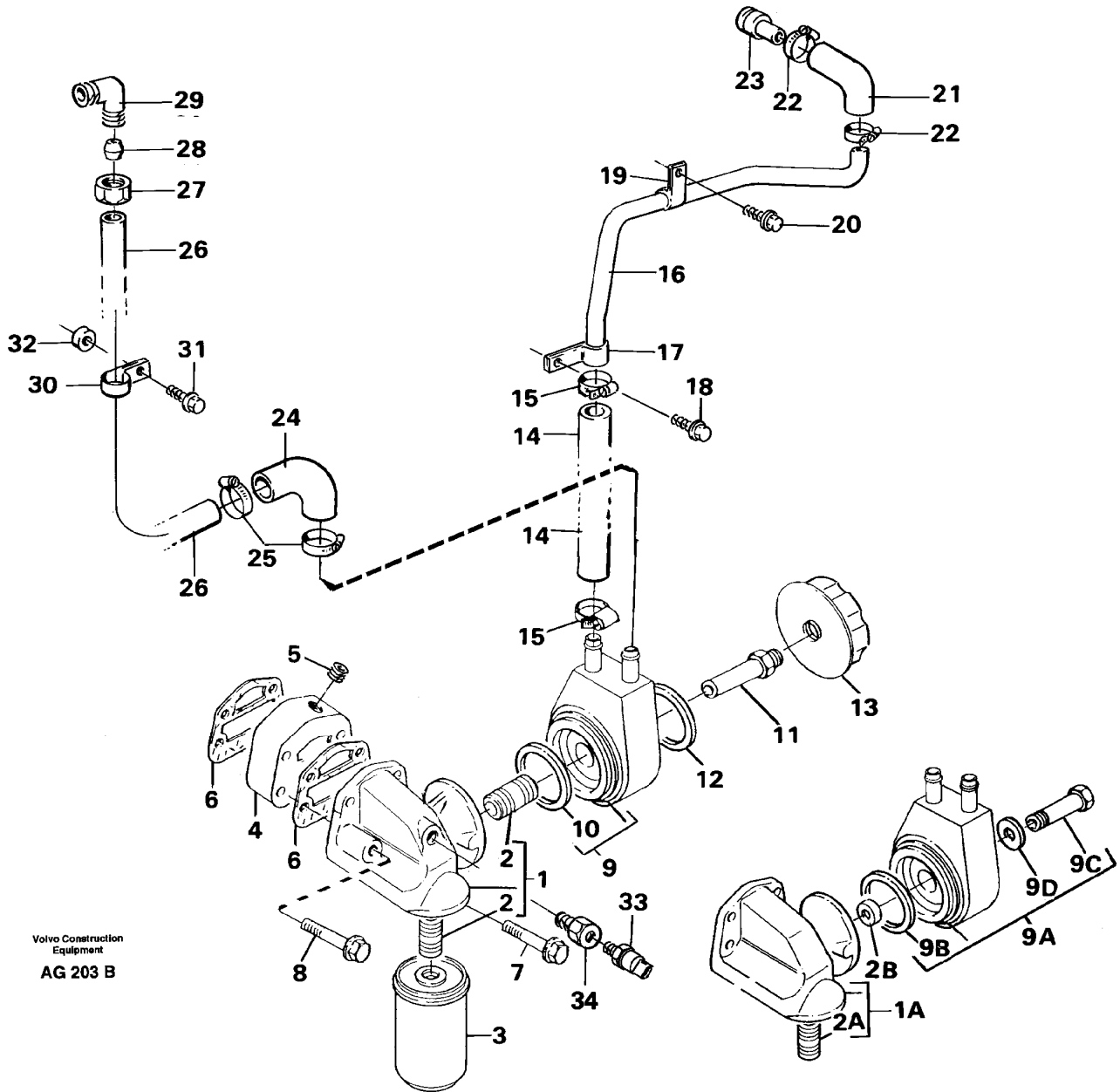


Pos	Part	Q1	Q2	Q3	Q4	Q5	PS	Kit	Description	Option(s)	Remark
1	VOE11090587	1					SS		Engine Mounting		LH: SER NO - 9089
	VOE11091320	1							Engine Mounting		LH: SER NO 9090 -
	VOE11090588	1							Engine Mounting		RH
2	VOE11090952	1							Engine Mounting		(VOE11090591)RH, TD 40 GA
	VOE11090952	1							Engine Mounting		RH, TD 40 KAE
2A	VOE11091319	1							Spacer		SER NO 9090 -
	VOE4850822	16							Spacer		SER NO - 9089
	VOE4850822	12							Spacer		SER NO 9090 -
4	VOE13970972	8							Hexagon screw		

5	VOE13971096	8							Flange nut		
6	VOE11090592	4							Rubber cushion		
7	VOE13955370	4							Screw		
8	VOE13970972	8							Hexagon screw		
9	VOE13960145	16							Washer		
10	VOE13971084	8							Lock nut		
11	VOE4713119	4							Spacer Ring		
12	VOE930445	1							Spacer Ring		
13	VOE942810	1							Clamp		
14	VOE940142	1							Hexagon screw		
15	VOE13960143	2							Washer		
16	VOE955782	1							Hexagon Nut		
17	VOE11998146	8							Stud		
18	VOE11998149	1							Lifting Plate		
19	VOE946329	2							Flange screw		L = 25MM
20	VOE946472	2							Flange screw		L = 30MM
21	VOE11998148	1							Lifting Plate		
22	VOE946441	2							Flange screw		L = 20MM
23	VOE946329	2							Flange screw		L = 25MM

6	VOE483469	1						Lock Ring		(VOE7483469)
7	VOE11997908	1						Pipe		
8	VOE11997909	2						O-ring		
9	VOE11997910	1						Flange		
10	VOE13945444	2						Flange screw		
11	VOE946671	3						Flange screw		(VOE11997901)
12	VOE11997902	1					SS	Overflow valve		
13	VOE11997903	1						•Piston		
14	VOE11997904	1					SS	•Spring		
15	VOE11997905	1						•Cap		
16	VOE11997906	1						•Lock Ring		
	VOE13948356	1						•Flange screw		
17	VOE6211943	1					SS	Socket		
18	VOE11997907	1					SS	Screw		

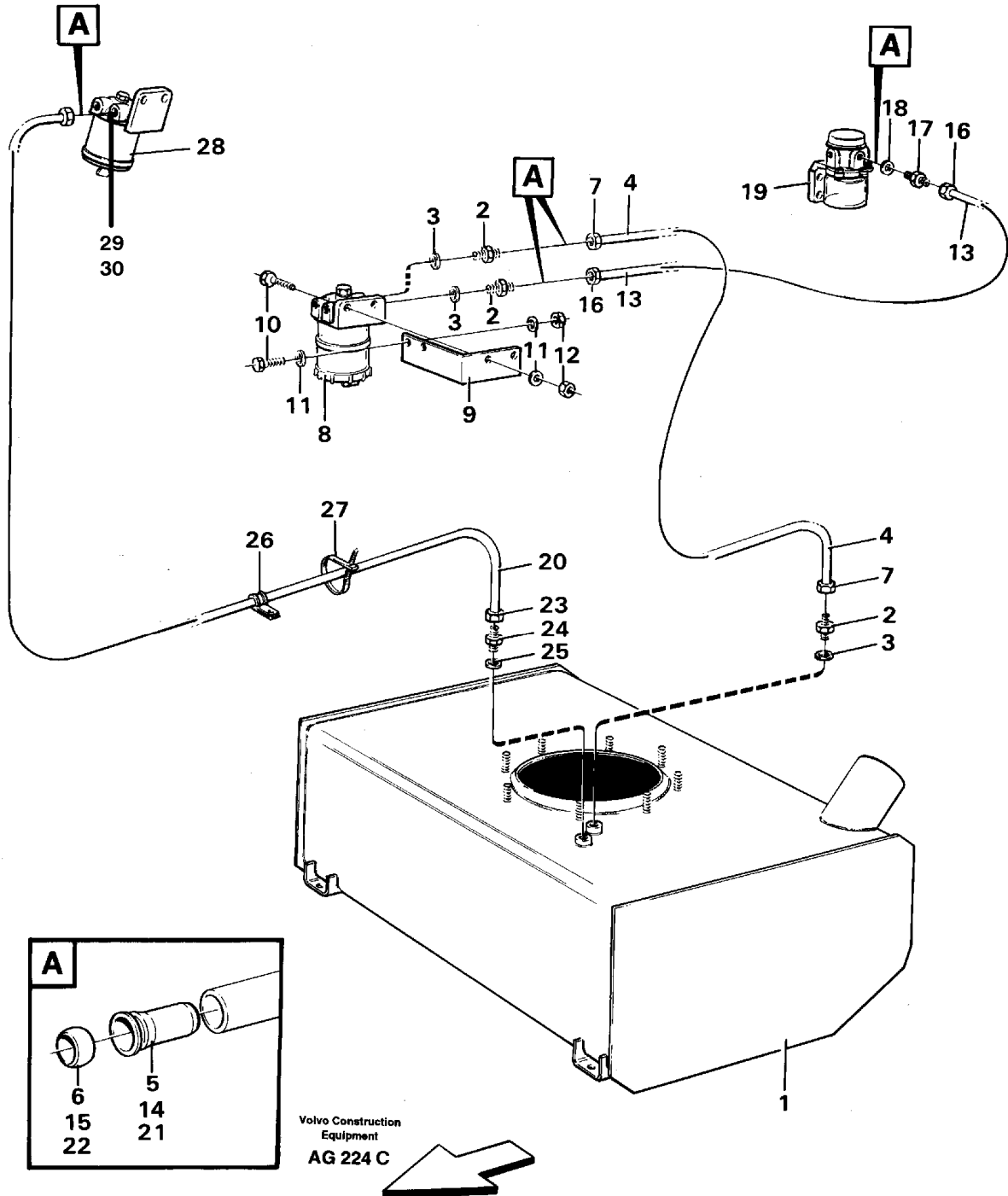
Date: 2014/1/24	Image id: AG203B	Catalogue: 97715	Model: L50C
Brand: Volvo BM	Serial: 10006-10966	Group/Section: 223/50	Title: Oil cooler



Pos	Part	Q1	Q2	Q3	Q4	Q5	PS	Kit	Description	Option(s)	Remark
1	VOE11998006	1					SS		Filter retainer		ENG - 9/9 1993
2	VOE11998007	2					OP		•Connecting pipe		
1A	VOE11700790	1							Filter housing		ENG 10/9 1993 -
2A	VOE11999547	1							•Pipe connection		
2B	VOE11997927	1					SS		Sealing ring		ENG 10/9 1993 -
3	VOE3976603	1							Oil filter		(VOE11998008)

4	VOE11998012	1						Adapter	
5	VOE11997843	1						Plug	
6	VOE11998009	2						Gasket	(VOE11998009)
7	VOE11998010	2						Screw	ENG - 9/9 1993
	VOE11700789	2						Screw	ENG 10/9 1993 -
8	VOE11998011	2						Screw	
9	VOE11712719	1					OP	Oil cooler	(VOE11998013)ENG - 9/9 1993
10	VOE11998014	1						•Gasket	
9A	VOE11712750	1						Oil cooler	(VOE11700761)ENG 10/9 1993 -
9B	VOE11998014	1						•Gasket	
9C	VOE11700759	1						•Screw	
9D	VOE11700760	1						•Gasket	
11	VOE11998015	1					OP	Connector	ENG - 9/9 1993
12	VOE11998016	1						O-ring	ENG - 9/9 1993
13	VOE11998017	1					OP	Cap	ENG - 9/9 1993
14	VOE11998908	1						Hose	
15	VOE943473	2						Hose clamp	(VOE11997993)
16	VOE11998023	1						Pipe	TD 40 GA
	VOE11998907	1						Pipe	TD 40 KAE
17	VOE11998029	1						Clamp	TD 40 GA
	VOE11998019	1						Clamp	TD 40 KAE
18	VOE946471	1						Flange screw	
19	VOE11998024	1						Clamp	
20	VOE946471	1						Flange screw	
21	VOE11998026	1						Hose	
22	VOE943473	2						Hose clamp	(VOE11997993)
23	VOE11988381	1						Adapter	(VOE11998027)
24	VOE11998905	1						Hose	
25	VOE943473	2						Hose clamp	(VOE11997993)
26	VOE11998018	1						Pipe	TD 40 GA
	VOE11998902	1						Pipe	TD 40 KAE
27	VOE11998020	1						Nut	
28	VOE11998021	1						Ferrule	
29	VOE11991755	1						Nipple	
30	VOE11998019	1						Clamp	
31	VOE11998032	1						Screw	
32	VOE11998033	1						Spacer ring	
33	VOE11039249	1						Pressure monitor	SE16
34	VOE11002439	1						Nipple	

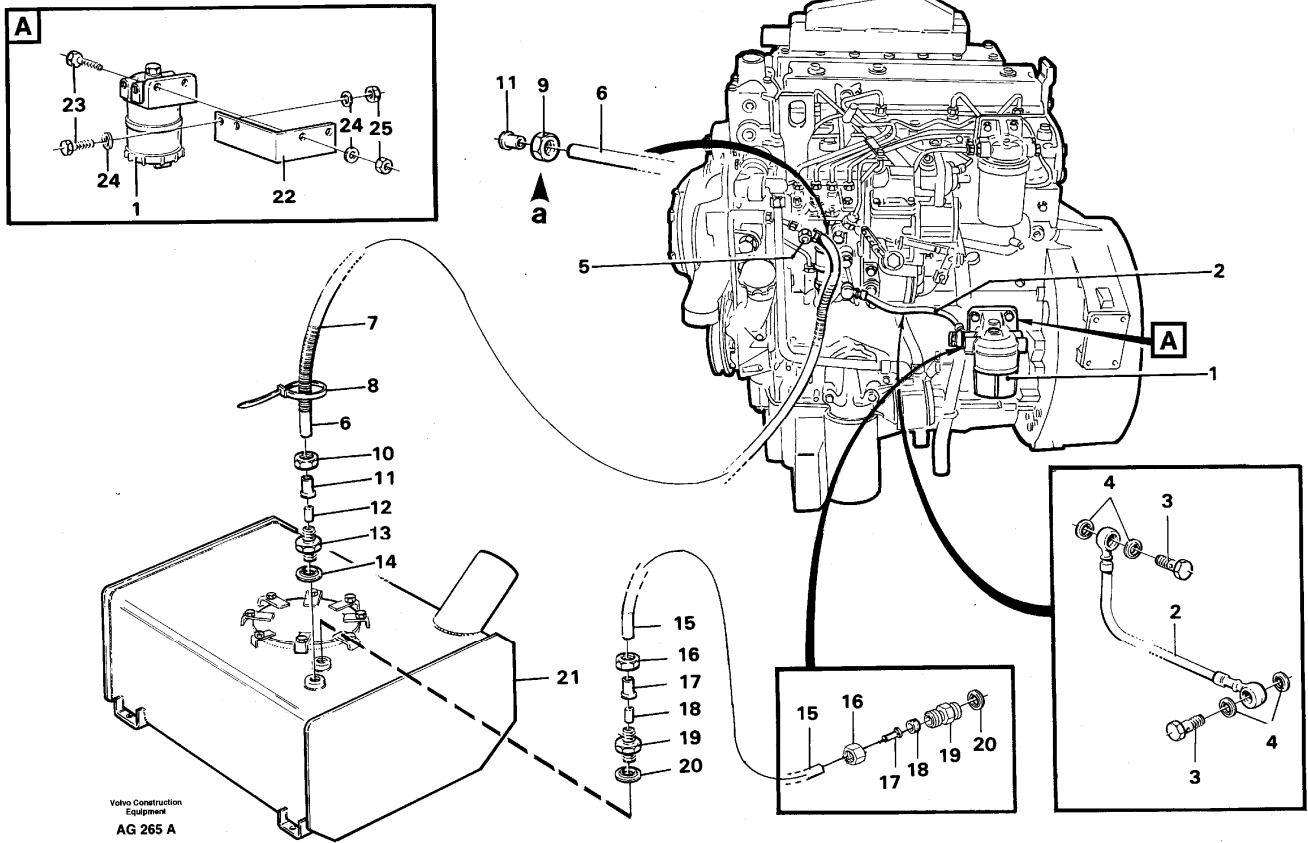
Date: 2014/1/24	Image id: AG224C	Catalogue: 97715	Model: L50C
Brand: Volvo BM	Serial: 10006-10966	Group/Section: 230/50	Title: Fuel system: Fuel tank - fuel pump TD 40 GA



Pos	Part	Q1	Q2	Q3	Q4	Q5	PS	Kit	Description	Option(s)	Remark
1		1							Fuel tank		See ref 234/50

2	VOE13945903	3							Nipple		
3	VOE13947621	3							Plane gasket		
4	VOE13945461	REQ							Plastic pipe		L = 1200MM
5	VOE967559	2							Sleeve		
6	VOE326599	2							Ferrule		(VOE7326599)
7	VOE326596	2							Fitting nut		(VOE7326596)
8		1							Filter		See ref 233/150
9	VOE11090911	1							Bracket		
10	VOE946671	4							Flange screw		
11	VOE13955894	6							Washer		(VOE955894)
12	VOE13945408	4							Nut		(VOE948645)
13	VOE13945461	REQ							Plastic pipe		L = 2000MM
14	VOE967559	2							Sleeve		
15	VOE326599	2							Ferrule		(VOE7326599)
16	VOE326596	2							Fitting nut		(VOE7326596)
17	VOE13948214	1							Nipple		
18	VOE907133	1							Gasket		
19		1							Fuel pump		See ref 233/50
20	VOE13945460	REQ							Plastic pipe		L = 1600MM
21	VOE944717	2							Sleeve		
22	VOE954364	2							Ferrule		
23	VOE954356	2							Fitting nut		
24	VOE949634	1					OP		Nipple		
25	VOE13947621	1							Plane gasket		
26	VOE11000239	1							Clamp		
27	VOE4881438	5							Cable tie		
28		1							Fuel filter		See ref 233/100
29	VOE13945903	2							Nipple		
30	VOE13947621	2							Plane gasket		

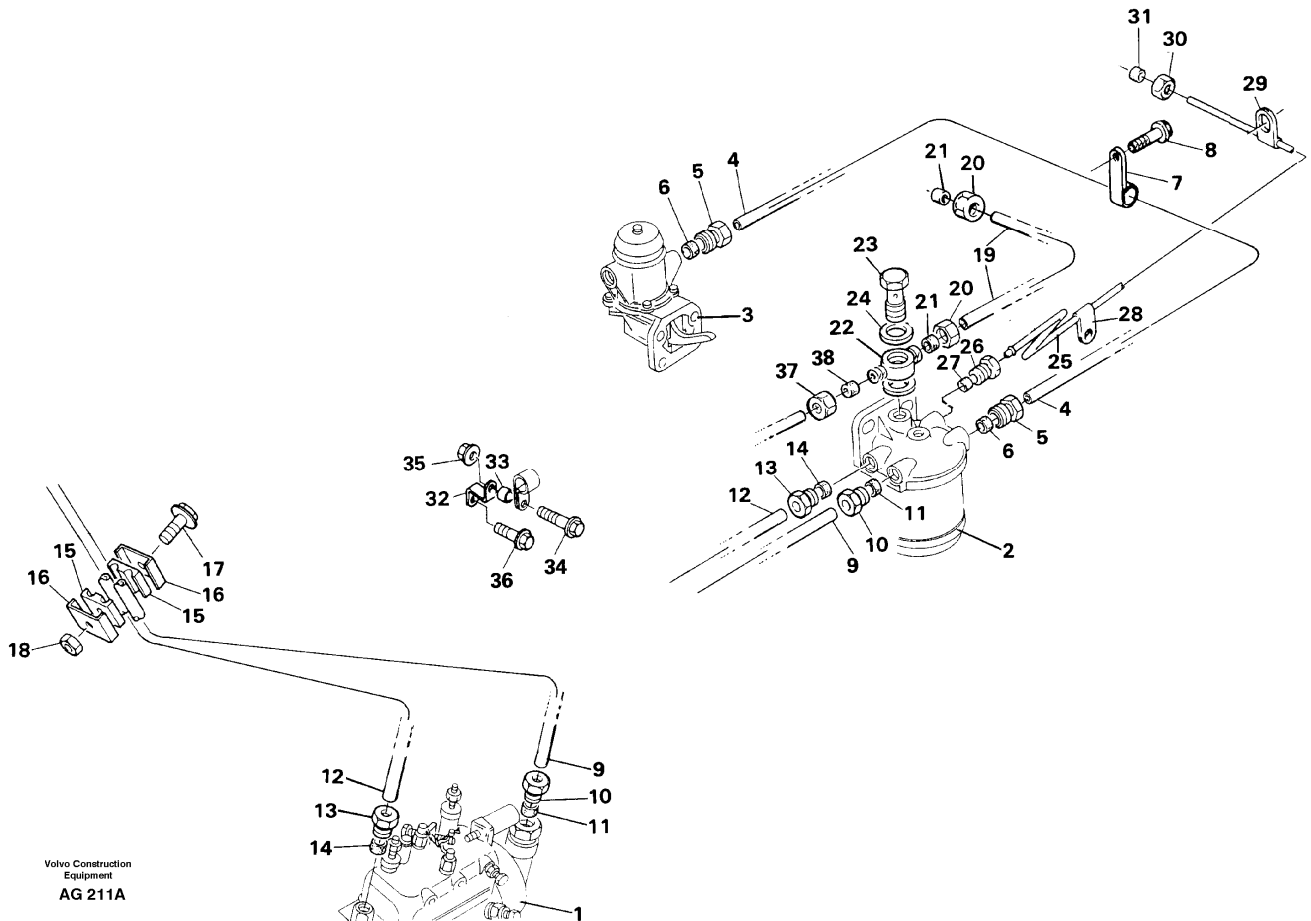
Date: 2014/1/24	Image id: AG265A	Catalogue: 97715	Model: L50C
Brand: Volvo BM	Serial: 10006-10966	Group/Section: 230/100	Title: Fuel system: Fuel tank - fuel pump TD 40 KAE



Pos	Part	Q1	Q2	Q3	Q4	Q5	PS	Kit	Description	Option(s)	Remark
1		1							Water separator		See ref 233/150
2	VOE4774631	1							Fuel hose		
3	VOE7025167	2							Hollow screw		
4	VOE13947621	4							Plane gasket		(945653)
5		1							Connector		See ref 230/200
6	VOE946234	REQ							Plastic pipe		L = 1500MM
7	VOE4803745	REQ							Hose		L = 450MM
8	VOE4821292	1							Cable tie		
9		1							Nut		See ref 230/200
10	VOE954357	1							Nut		
11	VOE11090959	2							Support sleeve		
12	VOE954365	1							Olive		
13	VOE11090958	1							Nipple		
14	VOE13947621	1							Plane gasket		(945653)
15	VOE13945461	REQ							Plastic pipe		L = 1200MM
16	VOE326596	2							Fitting nut		

17	VOE967559	2							Sleeve		
18	VOE326599	2							Ferrule		
19	VOE13945903	2							Nipple		
20	VOE13947621	2							Plane gasket		
21		1							Fuel tank		See ref 234/50
22	VOE11090911	1							Bracket		
23	VOE946671	4							Flange screw		
24	VOE13955894	6							Washer		
25	VOE13945408	4							Nut		(VOE948645)

Date: 2014/1/24	Image id: AG211A	Catalogue: 97715	Model: L50C
Brand: Volvo BM	Serial: 10006-10966	Group/Section: 230/150	Title: Fuel system: Fuel pump - fuel inject. TD 40 GA



Pos	Part	Q1	Q2	Q3	Q4	Q5	PS	Kit	Description	Option(s)	Remark
1		1							Injection pump		See ref 236/50
2		1							Fuel filter		See ref 233/100
3		1							Fuel pump		See ref 233/50
4	VOE11997085	1							Fuel pipe		
5	VOE483509	2							•Fitting nut		(VOE7483509)
6	VOE483510	2							•Sealing ring		(VOE7483510)
7	VOE11998114	1							•Clamp		
	VOE11997088	1							•Clamp		
8	VOE13946173	1							Screw		(VOE946173)
9	VOE11998117	1							Pipe		
10	VOE483509	2							•Fitting nut		(VOE7483509)
11	VOE483510	2							•Sealing ring		(VOE7483510)
12	VOE11998116	1							Pipe		
13	VOE483509	2							•Fitting nut		(VOE7483509)

14	VOE483510	2							•Sealing ring		(VOE7483510)
15	VOE6613881	2							Spacer		
16	VOE6613880	2							Clamp		
17	VOE11997936	1							Screw		
18	VOE11997937	1							Nut		
19	VOE11998115	1							Pipe		
20	VOE483467	2							Nut		(VOE7483467)
21	VOE483468	2							Ferrule		(VOE7483468)
22	VOE11998122	1							Connector		
23	VOE787105	1							Screw		
24	VOE13947281	2							Gasket		
25	VOE11999214	1							Fuel pipe		
26	VOE11998141	1							•Nut		
27	VOE11998142	1							•Ferrule		
28	VOE11997934	1							•Clamp		
29	VOE11998143	1							•Clamp		
30	VOE483467	1							Nut		(VOE7483467)
31	VOE483468	1							Ferrule		(VOE7483468)
32	VOE11998118	1							Bracket		
33	VOE11998121	1							Spacer		
34	VOE11998119	1							Screw		
35	VOE11998120	1							Nut		
36	VOE13965175	1							Screw		
37	VOE954356	1							Fitting nut		
38	VOE954364	1							Ferrule		



Suggest:

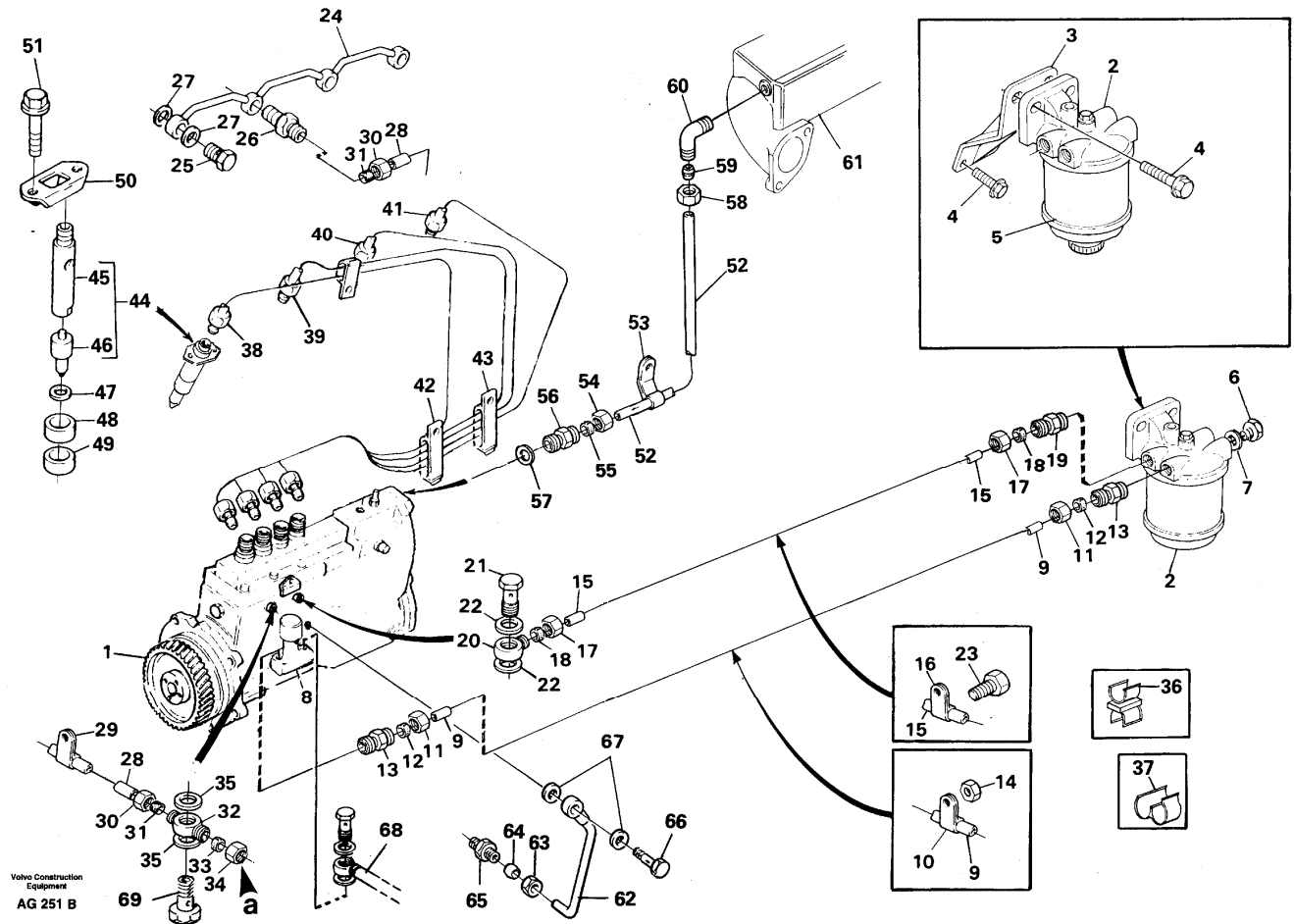
For more complete manuals. Please go to the home page.

<https://www.ebooklibonline.com>

If the above button click is invalid. Please download this document first, and then click the above link to download the complete manual.

Thank you so much for reading

Date: 2014/1/24	Image id: AG251B	Catalogue: 97715	Model: L50C
Brand: Volvo BM	Serial: 10006-10966	Group/Section: 230/200	Title: Fuel system, Fuel pump - fuel inject.-injector TD 40 KAE



Pos	Part	Q1	Q2	Q3	Q4	Q5	PS	Kit	Description	Option(s)	Remark
1		1							Injection pump		See ref 236/100
2	VOE11998954	1							Fuel filter		
3	VOE11998955	1							Bracket		
4	VOE946329	4							Flange screw		
5	VOE466987	1							Fuel filter		(VOE11999035)
6	VOE483933	1							Plug		(VOE7483933)
7	VOE483963	1							Washer		(VOE7483963)
8		1							Feed pump		See ref 233/60
9	VOE11700791	1							Fuel pipe		(VOE11999059)
10	VOE11998906	1							•Clip		
11	VOE11998971	2							Nut		
12	VOE11998972	2							Ferrule		
13	VOE11998957	2							Adapter		
14	VOE13945408	1							Nut		(945408)
15	VOE11998958	1							Pipe		

	VOE11998961	1							Spacer washer		
16	VOE11998926	1							•Clip		
17	VOE11998971	2							Nut		
18	VOE11998972	2							Ferrule		
19	VOE11998957	1							Adapter		
20	VOE6613554	1					OP		Banjo nipple		
21	VOE11998973	1							Hollow screw		
22	VOE11998959	2							Sealing washer		
23	VOE946441	1							Flange screw		
24	VOE11998894	1							Pipe		
25	VOE11998895	3							Hollow screw		
26	VOE11998896	1							Hollow screw		
27	VOE7011991	8							Gasket		
28	VOE11998962	1							Fuel pipe		
29	VOE11997934	1							•Clamp		
30	VOE483467	2							Nut		(VOE7483467)
31	VOE483468	2							Ferrule		(VOE7483468)
32	VOE11998963	1							Connector		
33	VOE6634712	1							Ferrule		
34	VOE6616715	1							Nut		
35	VOE11998959	2							Sealing washer		
36	VOE11998964	1							Clip		
37	VOE11998960	1							Clip		
38	VOE11999019	1							Pipe		NO 1 CYL
39	VOE11999020	1					OP		Pipe		NO 2 CYL
40	VOE11999021	1							Pipe		NO 3 CYL
41	VOE11999022	1							Pipe		NO 4 CYL
42	VOE11703604	2							Band		(VOE11997921)
43	VOE11703605	1							Band		(VOE11999044)
44	VOE11998892	4							Injector		
45	VOE11999017	4					NS		•Holder		
46	VOE11700785	4							•Nozzle		(VOE11999018)
47	VOE6613552	4							Washer		
48	VOE11997926	4							Spacer ring		
49	VOE11997927	4					SS		Sealing ring		
50	VOE11997931	4							Clamp		
51	VOE946470	8							Flange screw		
52	VOE11998898	1							Pipe		
53	VOE11997934	1							•Clamp		
54	VOE483467	1							Nut		(VOE7483467)
55	VOE483468	1							Ferrule		(VOE7483468)
56	VOE11998899	1							Adapter		
57	VOE11998966	1							Sealing washer		
58	VOE954348	1							Nut		
59	VOE954363	1							Olive		
60	VOE6613120	1							Fitting		
61		1							Inlet manifold		See ref 251/150

<https://www.ebooklibonline.com>

Hello dear friend!

Thank you very much for reading.

Enter the link into your browser.

The full manual is available for immediate download.

<https://www.ebooklibonline.com>