

PARTS CATALOG

Product Line

Model LM1060

**CATALOGO PARTI
DI RICAMBIO**

**CATALOGUE DES PIECES
DETACHEES**

ERSATZTEILKATALOG

**CATÁLOGO DES PIEZAS
DE REPUESTO**

**CATÁLOGO DE PEÇAS
SOBRESSALENTES**

ONDERDELENLIJST

RESERVEDELSKATALOG

CATALOGUE n. 87704007
1st Edition 02 - 2008

 **NEW HOLLAND**

0.02.1

01

p1

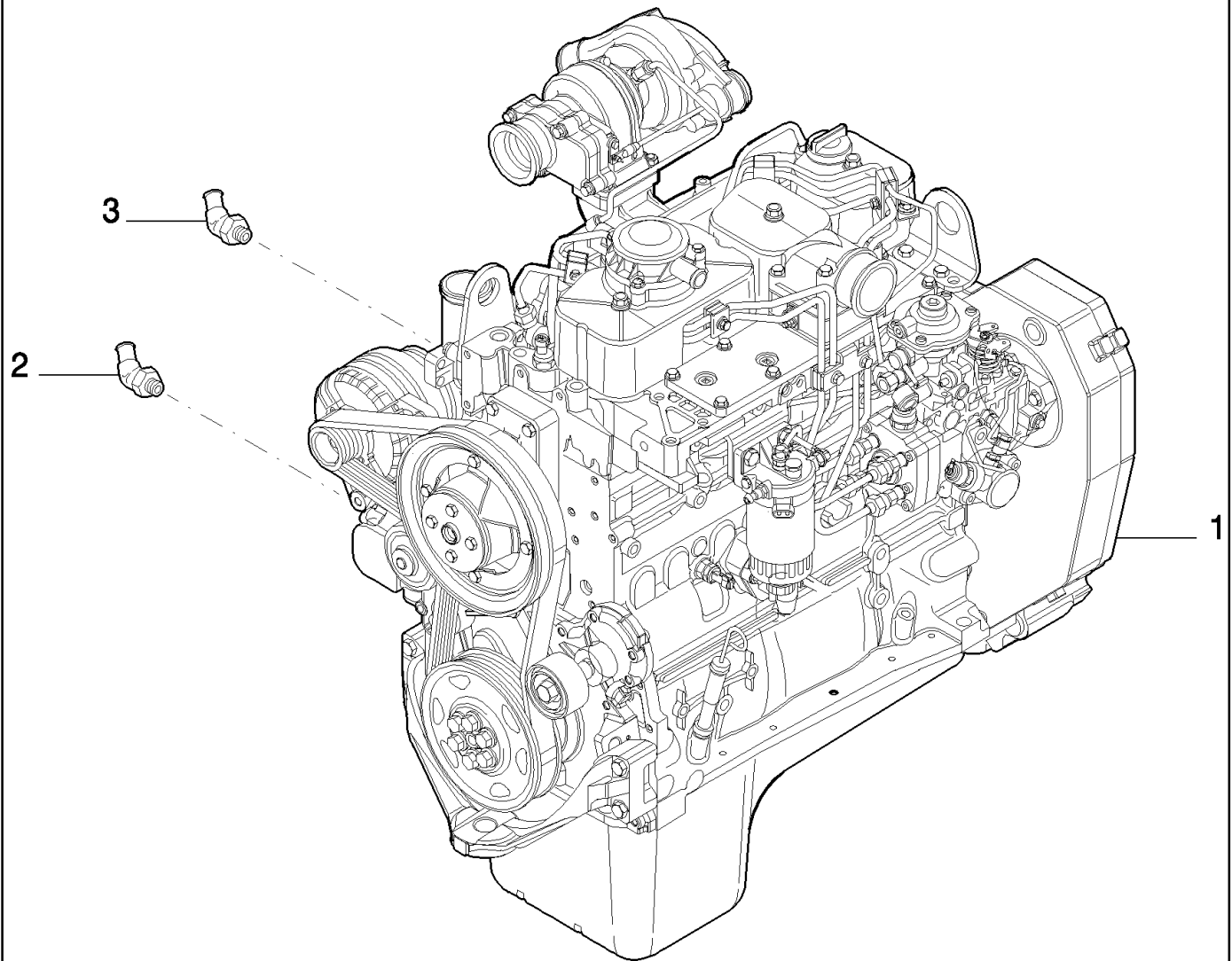
02/08

ENGINE - VERSION (01)

MOTOR

MOTEUR

MOTOR



0.02.1

01

p1

02/08

MOTORE
MOTOR
MOTOR
MOTOR

R	N	P.N.	MOD	Q	Description Descrizione	Bezeichnung Beskrivelse	Description Denominação	Denominacion Beschrijving	L.C.
1		504165579		1	ENGINE, TC89KW MOTORE	MOTOR MOTOR	MOTEUR MOTOR	MOTOR MOTOR	130M
2		76088006		1	CONNECTOR, HYD. RACCORDO IDRAULICO	HYDRAULIKKUPPLUNG FORSKRUNING	RACCORD CONECTOR	RACOR VERBINDING	020R
3		87311959		1	CONNECTOR, HYD. RACCORDO IDRAULICO	HYDRAULIKKUPPLUNG FORSKRUNING	RACCORD CONECTOR	RACOR VERBINDING	020R

LM1060

<https://www.ebooklibonline.com>

Hello dear friend!

Thank you very much for reading.

Enter the link into your browser.

The full manual is available for immediate download.

<https://www.ebooklibonline.com>

0.04.0

01

p1

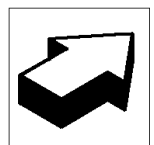
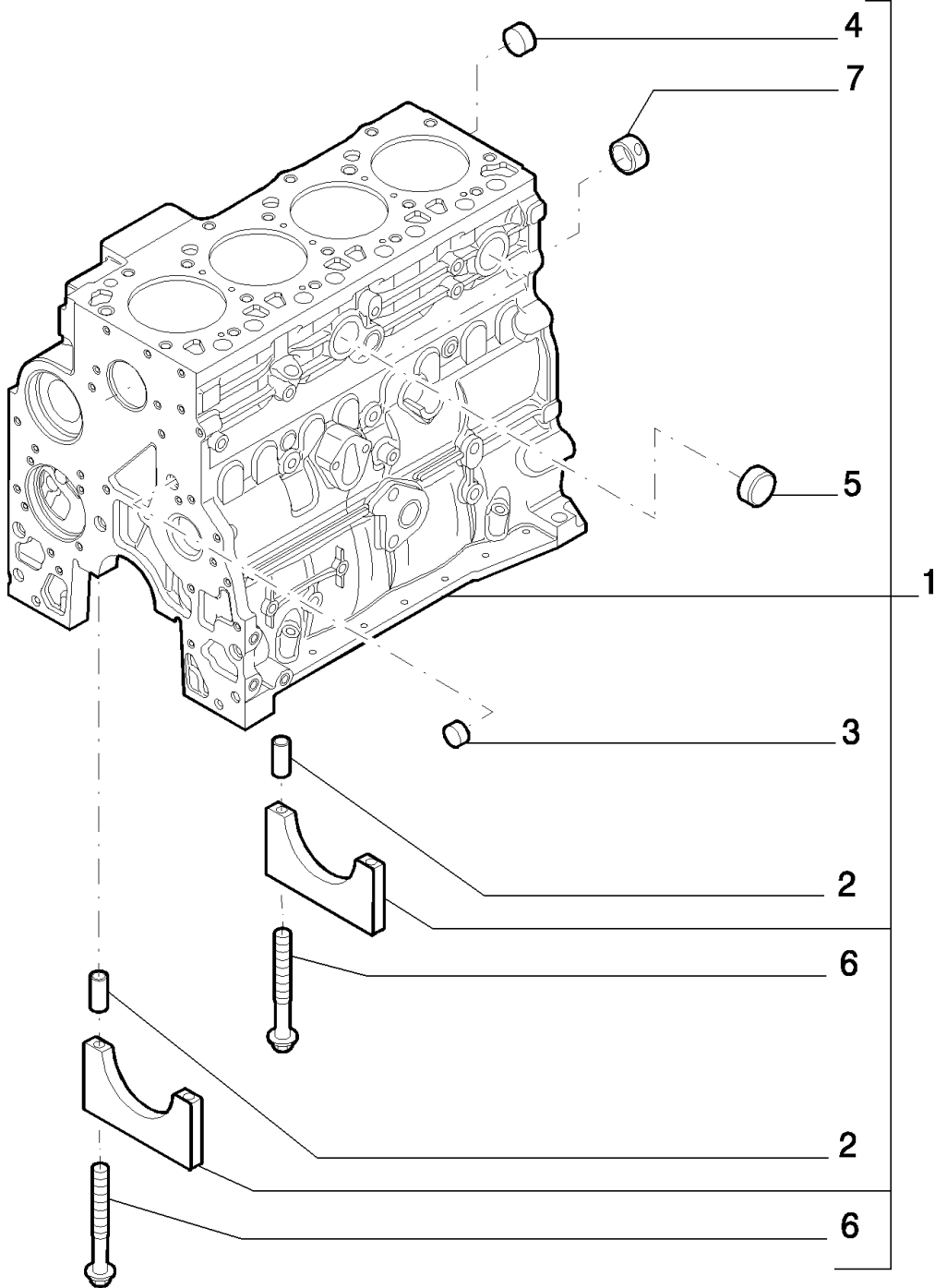
02/08

CRANKCASE - VERSION (01)

KURBELGEHAUSE

BLOC CYLINDRE

BLOQUE CILINDROS



0.04.0

01

p1

02/08

**BASAMENTO MOTORE
MOTORBLOK
BASE MOTOR
MOTORBLOK**

R	N	P.N.	MOD	Q	Description Descrizione	Bezeichnung Beskrivelse	Description Denominação	Denominacion Beschrijving	L.C.
1		2830081		1	CYLINDER BLOCK, - ASSYKURBELGEHAEUSE BASAMENTO MOTORE	KRUMTAPHUS	BLOC MOTEUR BLOCO DE MOTOR	BLOQUE DE CILINDROS MOTORBLOK	020B
2		4899026		10	DOWEL GRANO	ZENTRIERBOLZEN DYVEL	PION GUIA	PITON STEL PEN	090G
3		4895039		3	PLUG TAPPO	STOPFEN PROP	BOUCHON BUJAO	TAPÓN PLUG	050T
4		4895038		4	PLUG TAPPO	STOPFEN PROP	BOUCHON BUJAO	TAPÓN PLUG	050T
5		4895228		2	PLUG TAPPO	STOPFEN PROP	BOUCHON BUJAO	TAPÓN PLUG	050T
6		4891353		10	SCREW, Flg Hd, M12 x 1.5 x 120 VITE	SCHRAUBE SKRUE	VIS PARAFUSO	TORNILLO SCHROEF	040V
7		4895040		1	BUSHING BOCCOLA	BUECHSE BOESNING	BAGUE CASQUILHO	CASQUILLO LAGERBUS	095B

LM1060

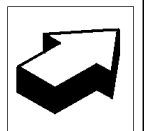
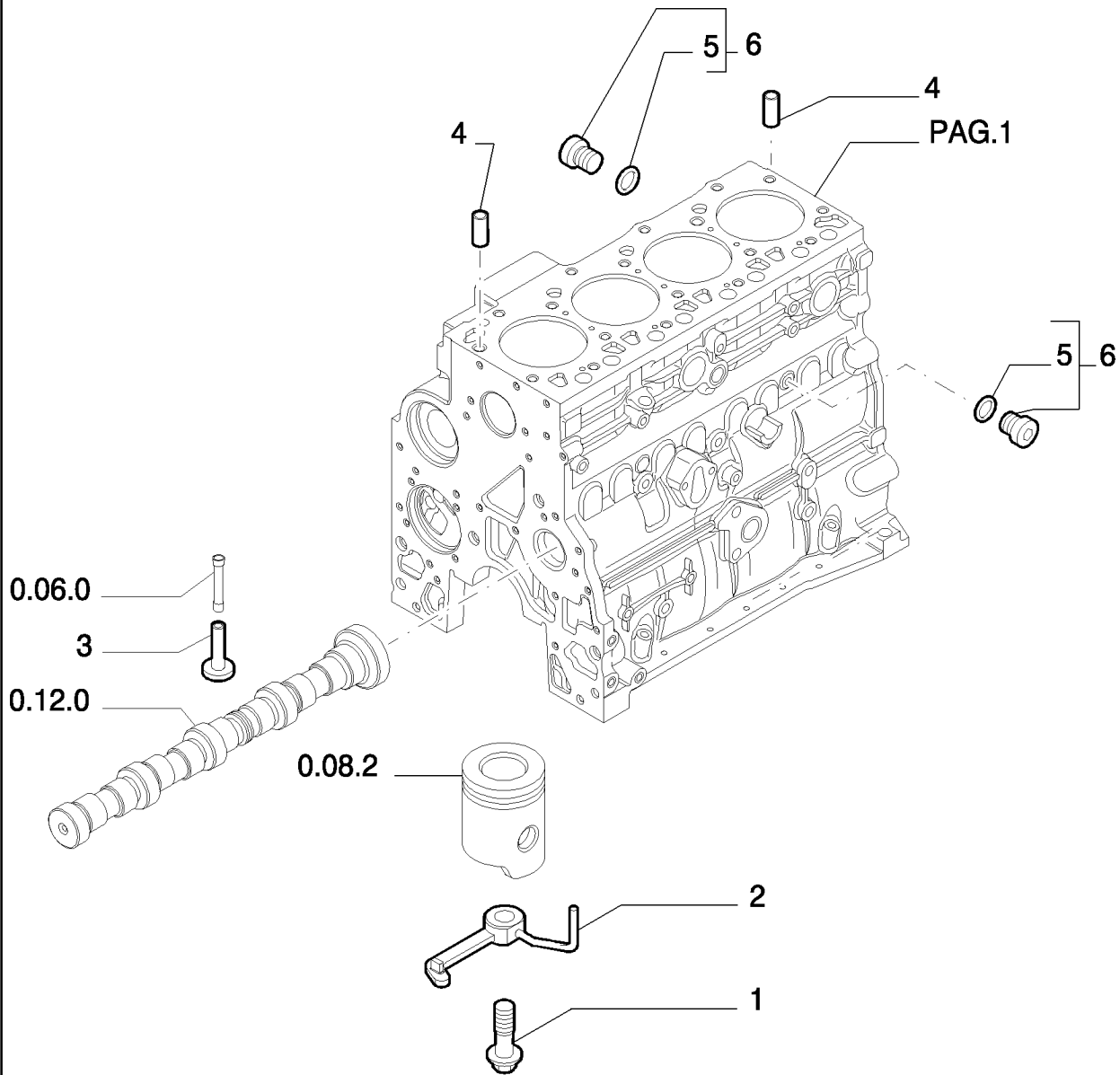
0.04.0

02

p1

02/08

CRANKCASE
KURBELGEHAUSE
BLOC CYLINDRE
BLOQUE CILINDROS

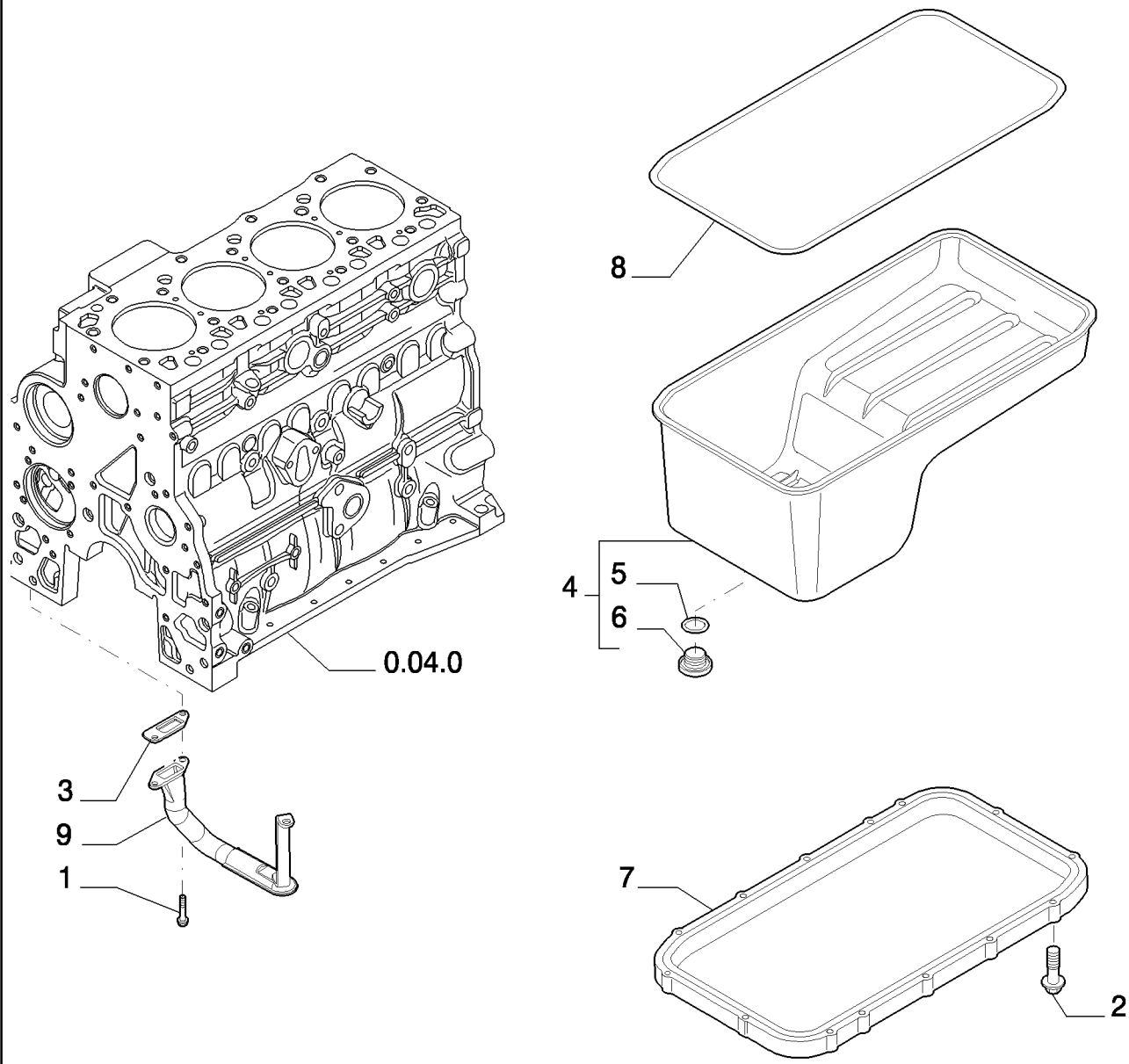


BASAMENTO MOTORE
MOTORBLOK
BASE MOTOR
MOTORBLOK

R	N	P.N.	MOD	Q	Description Descrizione	Bezeichnung Beskrivelse	Description Denominação	Denominacion Beschrijving	L.C.
1		4894218		4	SCREW VITE	SCHRAUBE SKRUE	VIS PARAFUSO	TORNILLO SCHROEF	040V
2		2852203		4	NOZZLE, LUB. OIL JET UGELLO	DUESE DYSE	GICLEUR PULVERIZADOR	TOBERA VERSTUIVER	020U
3		4895180		8	TAPPET PUNTERIA	STÖSSELEINSTELLSCH VENTILLOEFTER	POUSSOIR IMPULSOR	EMPUJADOR LAGER, ROL	240P
4		4895049		2	DOWEL GRANO	ZENTRIERBOLZEN DYVEL	PION GUIA	PITON STEL PEN	090G
5		4895393		1	O-RING ANELLO TOROIDALE	O-RING O-RING	JOINT THORIQUE O-RING	JUNTA HERMETICA O-RING	055A
6		4895392		2	PLUG, 18x1,5 mm TAPPO	STOPFEN PROP	BOUCHON BUJAO	TAPÓN PLUG	050T

LM1060

ENGINE OIL SUMP - VERSION (01)
MOTORÖLWANNE
CARTER D'HUILE
CARTER DE ACEITE



COPPA OLIO MOTORE
BUNDKAR
CÁRTER ÓLEO MOTOR
MOTOROLIECARTER

R	N	P.N.	MOD	Q	Description Descrizione	Bezeichnung Beskrivelse	Description Denominação	Denominacion Beschrijving	L.C.
1		2852234		2	SCREW, Hex Flg, M8 x 1.25 x 20 VITE	SCHRAUBE SKRUE	VIS PARAFUSO	TORNILLO SCHROEF	040V
2		4899091		14	SCREW, Hex Flg, M8 x 1.25 x 40 VITE	SCHRAUBE SKRUE	VIS PARAFUSO	TORNILLO SCHROEF	040V
3		4898301		1	GASKET GUARNIZIONE	DICHTUNG, FLACH PAKNING	JOINT JUNTA	JUNTA HERMETICA DICHTINGSSTUK	123G
4		4897878		1	PAN, ENGINE OIL, - ASSY COPPA OLIO	MOTORÖLWANNE BUNDKAR	CARTER D'HUILE CARTER DE OLEO	CARTER DE ACEITE OLIECARTER	274C
5		4895584		1	O-RING, 23.4X2.6 ANELLO TOROIDALE	O-RING O-RING	JOINT THORIQUE O-RING	JUNTA HERMETICA O-RING	055A
6		4894139		1	PLUG, 22X1.5 TAPPO	STOPFEN PROP	BOUCHON BUJAO	TAPÓN PLUG	050T
7		4897876		1	SPACER DISTANZIALE	DISTANZSTÜCK AFSTANDSSTYKKE	ENTRETOISE ESPACADOR	SEPARADOR AFSTANDSRING	075D
8		4897877		1	GASKET GUARNIZIONE	DICHTUNG, FLACH PAKNING	JOINT JUNTA	JUNTA HERMETICA DICHTINGSSTUK	123G
9		4891791		1	STRAINER, ELEMENT ELEMENTO FILTRANTE	SIEBEINSATZ ELEMENTSI	TAMIS DE CRÉPINE TAMIS DE ALCACHOFA	TAMIZ DE ALCACHOFA STRAINER, ELEMENT	8600

LM1060

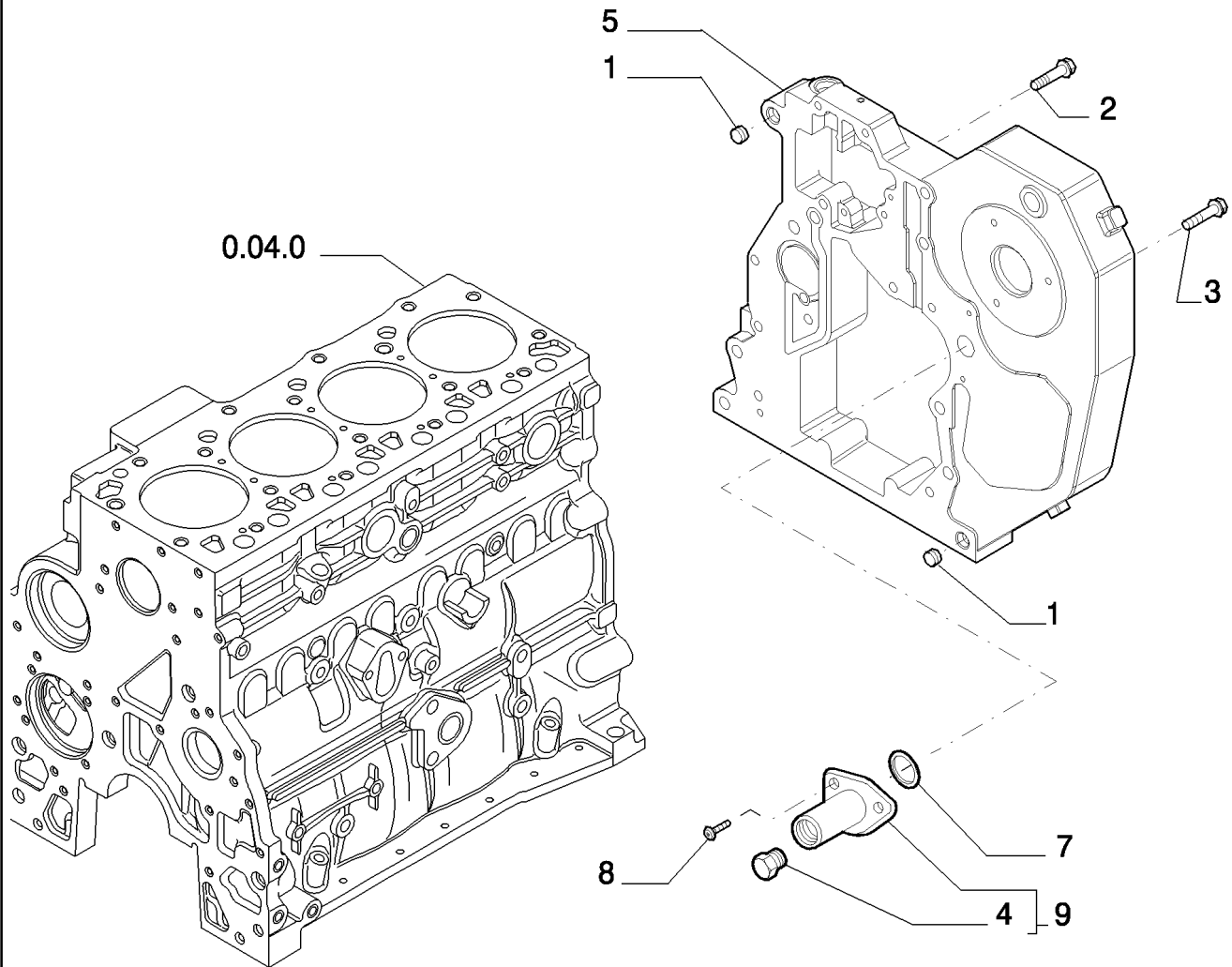
0.04.3

01

p1

02/08

CRANKCASE COVERS
DECKEL DES KURBELGEHAUSES
COUVERCLES DE BÂTI
TAPAS DEL BLOQUE

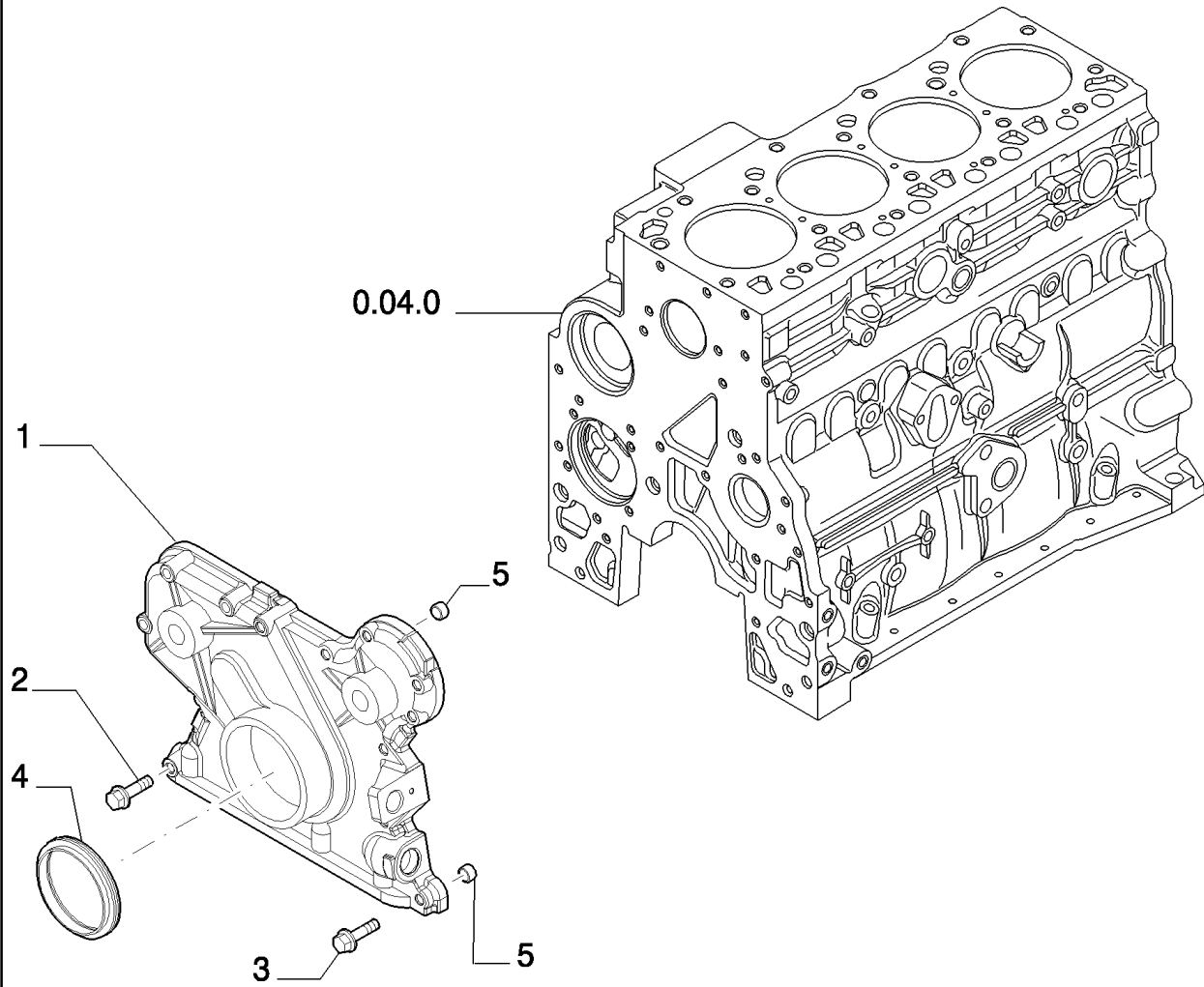


COPERCHI BASAMENTO
MOTORBLOKSDÆKSEL
TAMPAS BASE
DEKSELS BLOK

R	N	P.N.	MOD	Q	Description Descrizione	Bezeichnung Beskrivelse	Description Denominação	Denominacion Beschrijving	L.C.
1		4899026		2	DOWEL GRANO	ZENTRIERBOLZEN DYVEL	PION GUIA	PITON STEL PEN	090G
2		4899091		4	SCREW, Hex Flg, M8 x 1.25 x 40 VITE	SCHRAUBE SKRUE	VIS PARAFUSO	TORNILLO SCHROEF	040V
3		4899093		5	SCREW, Hex Flg, M10 x 1.5 x 30 VITE	SCHRAUBE SKRUE	VIS PARAFUSO	TORNILLO SCHROEF	040V
3		4899073		1	SCREW, Hex Flg, M12 x 1.75 x 30 VITE	SCHRAUBE SKRUE	VIS PARAFUSO	TORNILLO SCHROEF	040V
4		2855289		1	PLUG TAPPO	STOPFEN PROP	BOUCHON BUJAO	TAPÓN PLUG	050T
5		2853671		1	HOUSING ALLOGGIAMENTO	GEHÄUSE HUS	CARTER ALOJAMENTO	CAVIDAD HUIS	014V
7		2852519		1	O-RING ANELLO TOROIDALE	O-RING O-RING	JOINT THORIQUE O-RING	JUNTA HERMETICA O-RING	055A
8		4895355		2	SCREW, Torx Rd Hd, M5 x .8 x 17 VITE	SCHRAUBE SKRUE	VIS PARAFUSO	TORNILLO SCHROEF	040V
9		2855287		1	HOUSING, - ASSY ALLOGGIAMENTO	GEHÄUSE HUS	CARTER ALOJAMENTO	CAVIDAD HUIS	014V

LM1060

CRANKCASE COVERS - VERSION (01)
DECKEL DES KURBELGEHAUSES
COUVERCLES DE BATI
TAPAS DEL BLOQUE

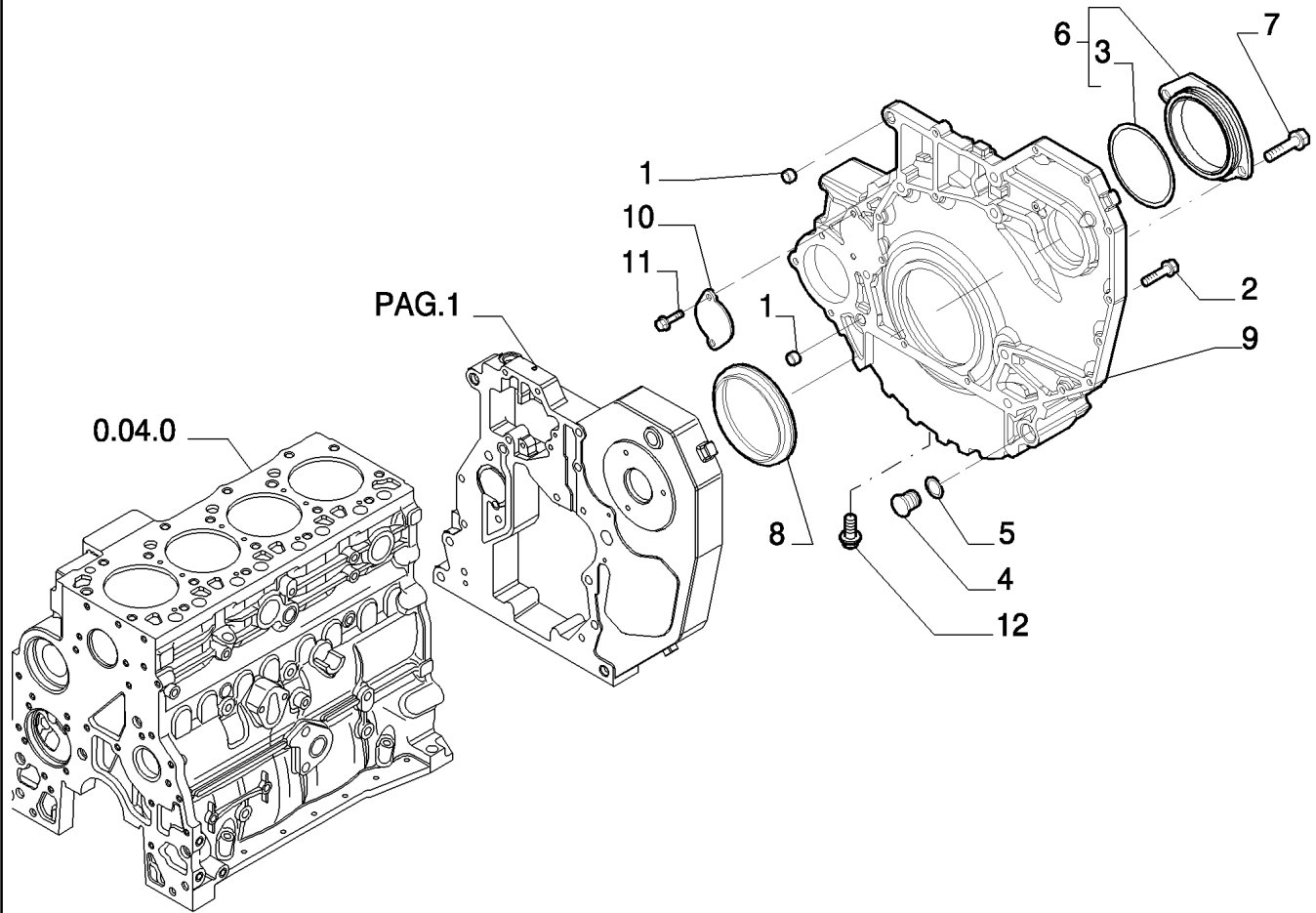


COPERCHI BASAMENTO
 MOTORBLOKSDÆKSEL
 TAMPAS BASE
 DEKSELS BLOK

R	N	P.N.	MOD	Q	Description Descrizione	Bezeichnung Beskrivelse	Description Denominação	Denominacion Beschrijving	L.C.
1		4897026		1	COVER, - FRONT COPERCHIO	ABDECKUNG DÆKSEL	COUVERCLE COBERTA	TAPADERA DEKSEL	265C
2		4899078		5	SCREW, Hex Flg, M8 x 1.25 x 45 VITE	SCHRAUBE SKRUE	VIS PARAFUSO	TORNILLO SCHROEF	040V
3		4899063		8	SCREW, Hex Flg, M8 x 1.25 x 30 VITE	SCHRAUBE SKRUE	VIS PARAFUSO	TORNILLO SCHROEF	040V
4		4890832		1	SEAL ANELLO DI TENUTA	DICHTUNG PAKNINGSRING	JOINT ANEL DE VEDACAO	ANILLO DE CIERRE DICHTINGSRING	132A
5		4891209		2	DOWEL GRANO	ZENTRIERBOLZEN DYVEL	PION GUIA	PITON STEL PEN	090G

LM1060

CRANKCASE COVERS
DECKEL DES KURBELGEHAUSES
COUVERCLES DE BAT
TAPAS DEL BLOQUE



COPERCHI BASAMENTO
MOTORBLOKSDÆKSEL
TAMPAS BASE
DEKSELS BLOK

R	N	P.N.	MOD	Q	Description Descrizione	Bezeichnung Beskrivelse	Description Denominação	Denominacion Beschrijving	L.C.
1		4899026		2	DOWEL GRANO	ZENTRIERBOLZEN DYVEL	PION GUIA	PITON STEL PEN	090G
2		4892915		7	SCREW VITE	SCHRAUBE SKRUE	VIS PARAFUSO	TORNILLO SCHROEF	040V
2		4899076		5	SCREW, Hex Flg, M12 x 1.75 x 80 VITE	SCHRAUBE SKRUE	VIS PARAFUSO	TORNILLO SCHROEF	040V
2		4899074		3	SCREW, Hex Flg, M12 x 1.75 x 120 VITE	SCHRAUBE SKRUE	VIS PARAFUSO	TORNILLO SCHROEF	040V
2		4899109		3	SCREW, Hex, M10 x 1.5 x 80 VITE	SCHRAUBE SKRUE	VIS PARAFUSO	TORNILLO SCHROEF	040V
2		4899143		1	SCREW, Hex Flg, M10 x 1.5 x 140, IN ALTERNATIVE WITH 2854866 VITE	SCHRAUBE SKRUE	VIS PARAFUSO	TORNILLO SCHROEF	040V
2		2852865		2	SCREW VITE	SCHRAUBE SKRUE	VIS PARAFUSO	TORNILLO SCHROEF	040V
2		2854866		1	PLUG, IN ALTERNATIVE WITH 4899143 TAPPO	STOPFEN PROP	BOUCHON BUJAO	TAPÓN PLUG	050T
3		2854075		1	O-RING ANELLO TOROIDALE	O-RING O-RING	JOINT THORIQUE O-RING	JUNTA HERMETICA O-RING	055A
4		4895378		2	PLUG TAPPO	STOPFEN PROP	BOUCHON BUJAO	TAPÓN PLUG	050T
5		4895379		2	O-RING, M21.82 ID x 3.53 Thk ANELLO TOROIDALE	O-RING O-RING	JOINT THORIQUE O-RING	JUNTA HERMETICA O-RING	055A
6		2854073		1	COVER, - ASSY COPERCHIO	ABDECKUNG DÆKSEL	COUVERCLE COBERTA	TAPADERA DEKSEL	265C
7		4899020		2	SCREW VITE	SCHRAUBE SKRUE	VIS PARAFUSO	TORNILLO SCHROEF	040V
8		4890833		1	SEAL ANELLO DI TENUTA	DICHTUNG PAKNINGSRING	JOINT ANEL DE VEDACAO	ANILLO DE CIERRE DICHTINGSRING	132A
9		2855178		1	HOUSING ALLOGGIAMENTO	GEHÄUSE HUS	CARTER ALOJAMENTO	CAVIDAD HUIS	014V
10		4895155		1	COVER COPERCHIO	ABDECKUNG DÆKSEL	COUVERCLE COBERTA	TAPADERA DEKSEL	265C
11		4899068		1	SCREW, Hex Flg , M8 x 1.25 x 16 VITE	SCHRAUBE SKRUE	VIS PARAFUSO	TORNILLO SCHROEF	040V
12		4893036		1	PLUG, - ASSY TAPPO	STOPFEN PROP	BOUCHON BUJAO	TAPÓN PLUG	050T

LM1060

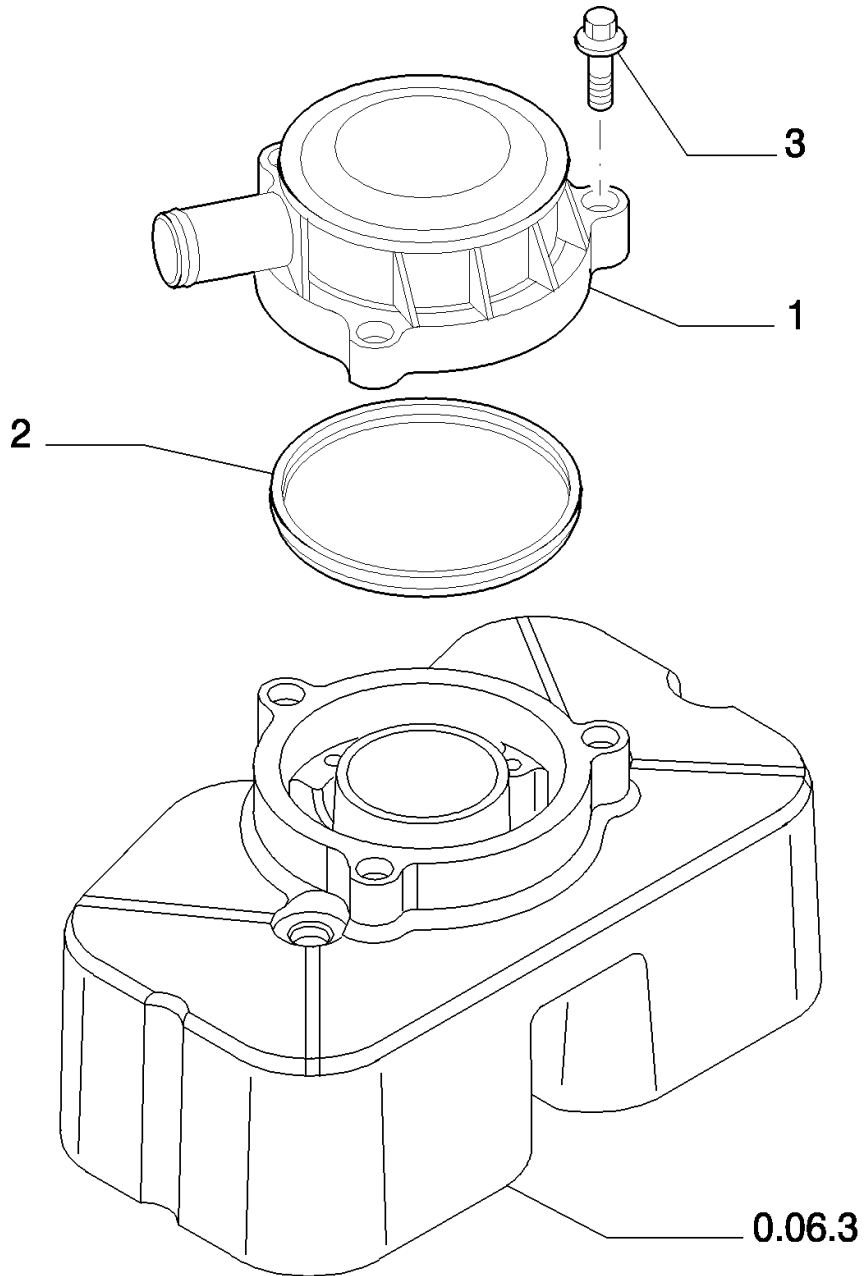
0.04.5

01

p1

02/08

BREATHER - ENGINE
ENTLÜFTER - MOTOR
RENIFLARD - MOTEUR
RESPIRADERO - MOTOR

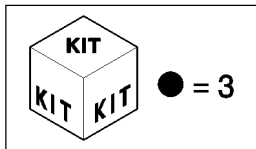
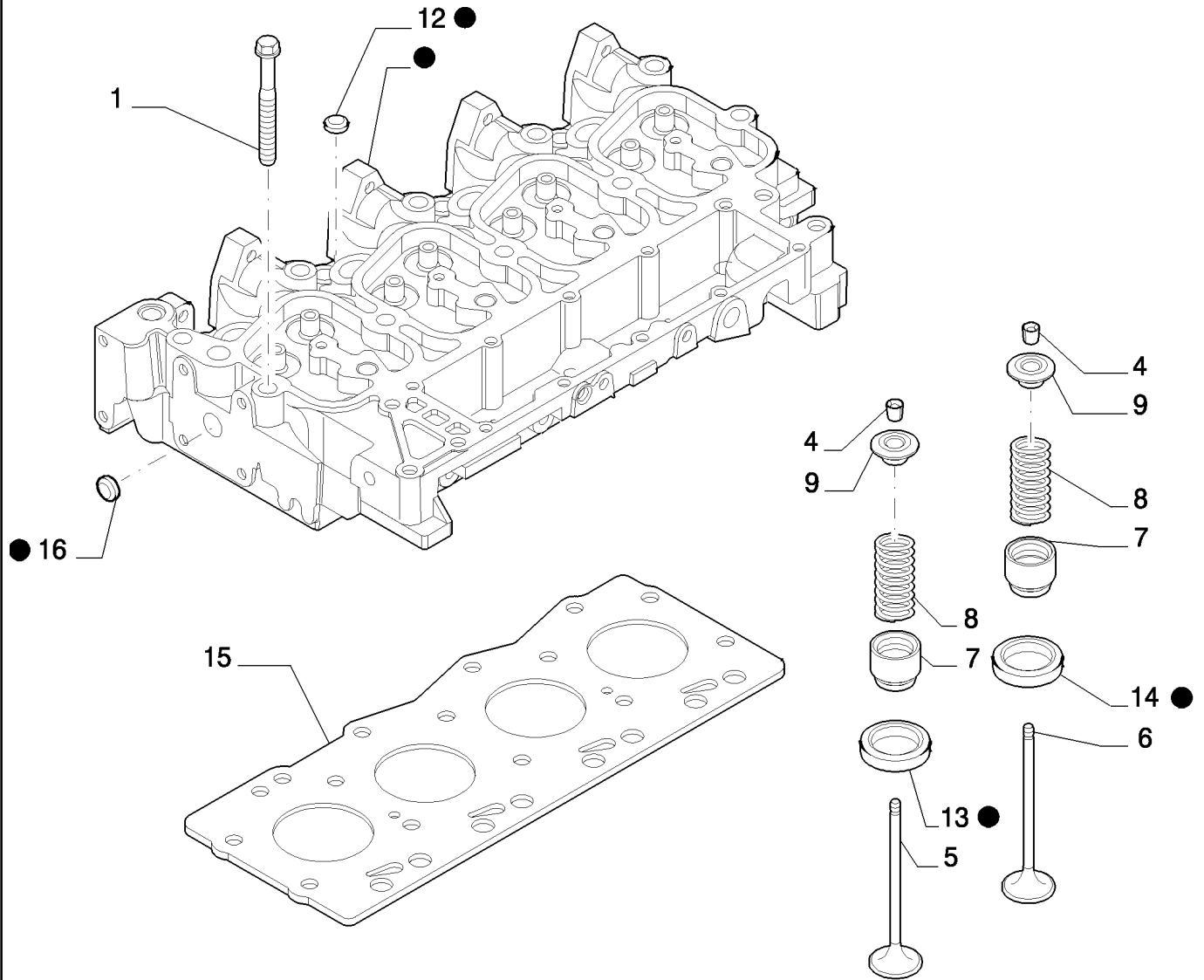


SFIATATOIO - MOTORE
 LUFTHUL - MOTOR
 RESPIRADOURO - MOTOR
 UITLAATOPENING - MOTOR

R	N	P.N.	MOD	Q	Description Descrizione	Bezeichnung Beskrivelse	Description Denominação	Denominacion Beschrijving	L.C.
1		2852531		1	BREATHER SFIATATOIO	ENTLÜFTER UDLUFTNINGSSKRUE	RENIFLARD RESPIRADOR	RESPIRADERO ONTLUCHTER	145S
2		2852028		1	GASKET GUARNIZIONE	DICHTUNG, FLACH PAKNING	JOINT JUNTA	JUNTA HERMETICA DICHTINGSSTUK	123G
3		4899110		3	SCREW, Hex Flg, M6 x 1 x 20, In Alternative	SCHRAUBE	VIS	TORNILLO	040V
					VITE	SKRUE	PARAFUSO	SCHROEF	
3		4899092		3	SCREW, Hex Flg, M6 x 1 x 25, In Alternative	SCHRAUBE	VIS	TORNILLO	040V
					VITE	SKRUE	PARAFUSO	SCHROEF	

LM1060

CYLINDER HEAD
ZYLINDERKOPF
CULASSE DE CYLINDRE
CULATA DE CILINDROS



TESTA CILINDRI
TOPSTYKKE
CABEÇOTES
CILINDERKOPPEN

R	N	P.N.	MOD	Q	Description Descrizione	Bezeichnung Beskrivelse	Description Denominação	Denominacion Beschrijving	L.C.
1		4892861		4	SCREW, Wash Hd, M12 x 1.25 x 73	SCHRAUBE	VIS	TORNILLO	040V
					VITE	SKRUE	PARAFUSO	SCHROEF	
1		4892859		10	SCREW, Wash Hd, M12 x 1.25 x 143	SCHRAUBE	VIS	TORNILLO	040V
					VITE	SKRUE	PARAFUSO	SCHROEF	
3		2856017		1	CYLINDER HEAD, - ASSY	ZYLINDERKOPF	CULASSE	CULATA	113T
					TESTA CILINDRI	CYLINDERHOVED	CABECA DE MOTOR	CYLINDERKOP	
4		4895183		16	COLLET	SPANNELEMENT	DOUILLE	CASQUILLO	142B
					ANELLO METALLICO	FJEDERLÅS	CASQUILHO	METALEN RING	
5		4895188		4	VALVE, ENG EXHAUST, STD	AUSLASSVENTIL, STANI	SOUPAPE D'ECHAPPEM	VALVULA DE ESCAPE	112V
					VALVOLA DI SCARICO	UDSTOEDNINGSVENTIL	VALVULA DE ESCAPE	UITLAATKLEP	
6		4895187		4	VALVE, ENGINE, INLET, STD	EINLASSVENTIL, STAND	SOUPAPE D'ADMISSION	VÁLVULA DE ADMISIÓN	111V
					VALVOLA DI ASPIRAZIO	INDSUGNINGSVENTIL	VALVULA DE ADMISSAC	INLAATKLEP	
7		4895347		8	SEAL	DICHTUNG	JOINT	ANILLO DE CIERRE	132A
					ANELLO DI TENUTA	PAKNINGSRING	ANEL DE VEDACAO	DICHTINGSRING	
8		4895215		8	SPRING, VALVE	VENTILFEDER	RESSORT, SOUPAPE	MUELLE, VÁLVULA	P463
					MOLLA, VALVOLA	VENTILFJEDER	MUELLE, VÁLVULA	SPRING (VALVE)	
9		4895184		8	RETAINER	HALTEPLATTE	RETENEUR	RETENEDOR	109R
					RITEGNO	HOLDER	RETENTOR	HOUDER	
12		4895179		3	PLUG	STOPFEN	BOUCHON	TAPÓN	050T
					TAPPO	PROP	BUJAO	PLUG	
13		4897178		4	VALVE SEAT, - INTAKE	VENTILSITZ	SIEGE DE SOUPAPE	ASIENTO DE VALVULA	074S
					SEDE VALVOLA	VENTILSAEDE	SEDE DE VALVULA	KLEPZITTING	
14		4897179		4	VALVE SEAT, - EXHAUST	VENTILSITZ	SIEGE DE SOUPAPE	ASIENTO DE VALVULA	074S
					SEDE VALVOLA	VENTILSAEDE	SEDE DE VALVULA	KLEPZITTING	
15		2830919		1	GASKET, CYLINDER HEAD, SP=1.25	ZYLINDERKOPFDICHTU	JOINT DE CULASSE	JUNTA DE CULATA	129G
					GUARNIZIONE TESTA C	TOPPAKNING	JUNTA DA CABECA	CYLINDERKOPDICHTINC	
15		2830920		1	GASKET, CYLINDER HEAD, SP=1.15	ZYLINDERKOPFDICHTU	JOINT DE CULASSE	JUNTA DE CULATA	129G
					GUARNIZIONE TESTA C	TOPPAKNING	JUNTA DA CABECA	CYLINDERKOPDICHTINC	
16		4895085		1	PLUG	STOPFEN	BOUCHON	TAPÓN	050T
					TAPPO	PROP	BUJAO	PLUG	

LM1060

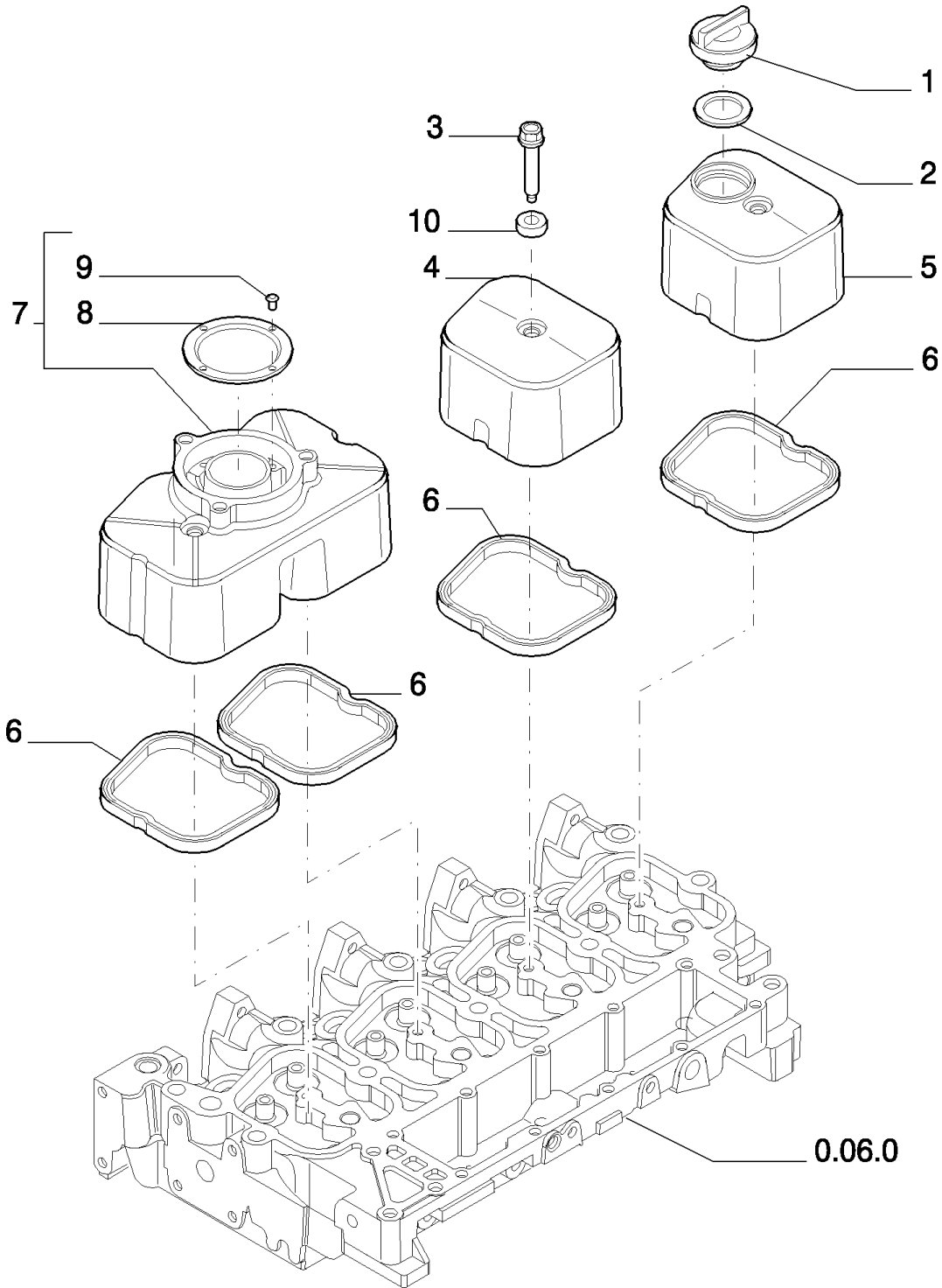
0.06.3

01

p1

02/08

CYLINDER HEAD COVERS
ZYLINDERKOPFDECKELN
COUVERCLES CULASSE
TAPAS CULATA



COPERCHI TESTA CILINDRI
 TOPSTYKSDÆKSEL
 TAMPAS CABEÇOTES
 DEKSELS CILINDERKOPPEN

R	N	P.N.	MOD	Q	Description Descrizione	Bezeichnung Beskrivelse	Description Denominação	Denominacion Beschrijving	L.C.
1		4895202		1	CAP, FILLER TAPPO DI RIEMPIMENTO	EINFÜLLVERSCHLUSS DÆKSELPÅFYLDER	BOUCHON DE REMPL. TAMPA RESERVATORIO	TAPA DE DEPOSITO CAP, FILLER	P676
2		4895296		1	SEAL, IN ALTERNATIVE ANELLO DI TENUTA	DICHTUNG PAKNINGSRING	JOINT ANEL DE VEDACAO	ANILLO DE CIERRE DICHTINGSRING	132A
2		4892808		1	SEAL, IN ALTERNATIVE ANELLO DI TENUTA	DICHTUNG PAKNINGSRING	JOINT ANEL DE VEDACAO	ANILLO DE CIERRE DICHTINGSRING	132A
3		4895214		4	SCREW VITE	SCHRAUBE SKRUE	VIS PARAFUSO	TORNILLO SCHROEF	040V
4		2852032		1	COVER COPERCHIO	ABDECKUNG DÆKSEL	COUVERCLE COBERTA	TAPADERA DEKSEL	265C
5		2852894		1	COVER COPERCHIO	ABDECKUNG DÆKSEL	COUVERCLE COBERTA	TAPADERA DEKSEL	265C
6		2852033		4	GASKET GUARNIZIONE	DICHTUNG, FLACH PAKNING	JOINT JUNTA	JUNTA HERMETICA DICHTINGSSTUK	123G
7		2830784		1	COVER, VALVE, - ASSY COPERCHIO, VALVOLA	ZYLINDERKOPFHAUBE VENTILDÆKSEL	CACHE-CULBUTEURS TAMPA VALVULA	CUBRE VÁLVULA COVER, VALVE	P889
8		2830775		1	BAFFLE DEFLETTORE	LEITBLECH SKÆRMPLADE	CHICANE DEFLETOR	DEFLECTOR BAFFLE	0420
9		2830281		4	SCREW, SELF TAPPING VITE AUTOFIETTANTE	SCHRAUBE, SELBSTSCI BOLT, SELVLAASENDES	VIS AUTO-TARAUDEUSE PARAFUSO	TORNILLO AUTOROSCA ZELFTAPPENDE SCHRC	062V
10		4895360		4	ISOLATOR DISPOSITIVO ANTIVIB	ISOLATOR ISOLATOR	ISOLATEUR ISOLADOR	AISLADOR ZUIGERVEERPAKKET	Z082

LM1060

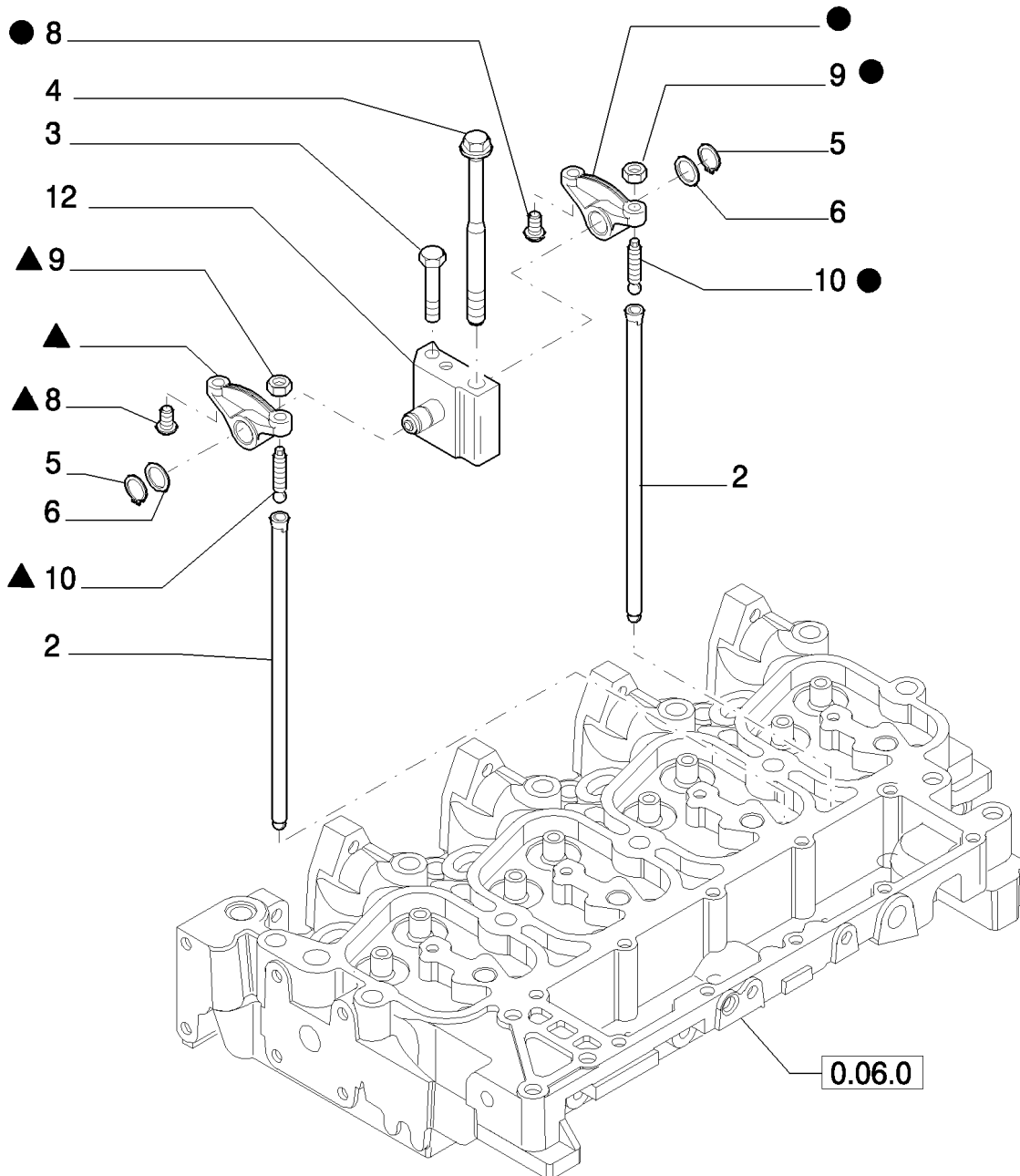
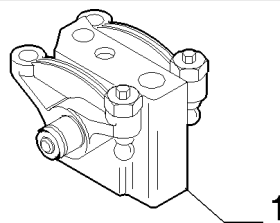
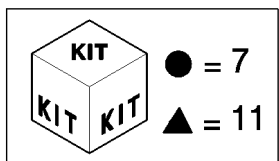
0.06.6

01

p1

02/08

ROCKER SHAFT
KIPPHEBELWELLE
AXE DE CULBUTEUR
EJE BALANCINES

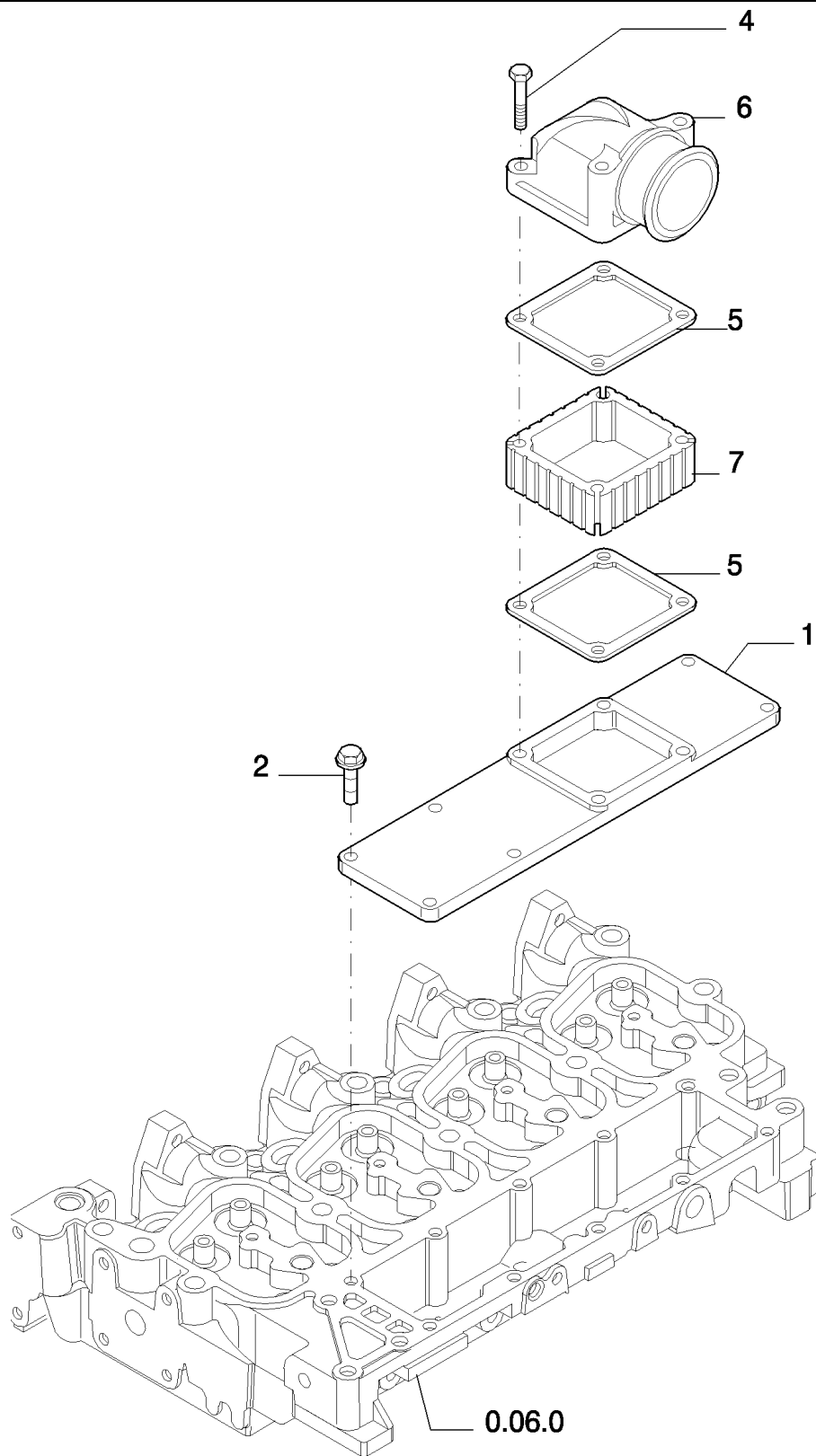


ALBERO BILANCIERE
VIPPEAKSEL
EIXO DO PONTEIRO
TUIMELAARAS

R	N	P.N.	MOD	Q	Description Descrizione	Bezeichnung Beskrivelse	Description Denominação	Denominacion Beschrijving	L.C.
1		4895195		4	ROCKER ARM, - ASSY BILANCIERE	KIPPEBEL VENTILARM	CULBUTEUR MARTELO DE VALVULA	BALANCIN TUIMELAAR	055B
2		4895361		8	ROD, PUSH ASTA, SPINTA	STÖSSELSTANGE SKUBBESTANG	TIGE DE CULBUTEUR HASTE DE IMPULSO	VARILLA DE EMPUJE ROD, PUSH	P307
3		504067723		4	SCREW VITE	SCHRAUBE SKRUE	VIS PARAFUSO	TORNILLO SCHROEF	040V
4		4892860		4	SCREW, Wash Hd, M12 x 1.25 x 183 VITE	SCHRAUBE SKRUE	VIS PARAFUSO	TORNILLO SCHROEF	040V
5		4895363		2	RING, SNAP ANELLO ELASTICO	SPRENGRING LÅSERING	ANNEAU D'ARRÊT ANEL	ANILLO DE RESORTE MUSKETONRING	054A
6		4895364		2	WASHER ROSETTA PIANA	UNTERLEGSCHIEBE FLADSKIVE	RONDELLE ANILHA	ARANDELA SLUITRING	131R
7		4895196		1	ROCKER ARM, - ASSY BILANCIERE	KIPPEBEL VENTILARM	CULBUTEUR MARTELO DE VALVULA	BALANCIN TUIMELAAR	055B
8		4895365		2	INSERT INSERTO	EINSATZ INDSATS	INSERT POSTICO	INTRODUCTOR TUSSENSTUK	055I
9		4895198		2	NUT DADO	MUTTER MOETRIK	ECROU PORCA	TUERCA MOER	010D
10		4895199		2	SCREW VITE	SCHRAUBE SKRUE	VIS PARAFUSO	TORNILLO SCHROEF	040V
11		4895200		1	ROCKER ARM, - ASSY BILANCIERE	KIPPEBEL VENTILARM	CULBUTEUR MARTELO DE VALVULA	BALANCIN TUIMELAAR	055B
12		4895204		1	SUPPORT SUPPORTO	HALTERUNG, LAGERBO BESLAG	SUPPORT SUPORTE	SOPORTE STEUN	300S

LM1060

INTAKE MANIFOLD
ANSAUGROHR
CONDUIT D'ADMISSION
COLLECTOR DE ASPIRACION





Suggest:

For more complete manuals. Please go to the home page.

<https://www.ebooklibonline.com>

If the above button click is invalid. Please download this document first, and then click the above link to download the complete manual.

Thank you so much for reading

COLLETTORE ASPIRAZIONE
 INDSUGNINGSMANIFOLD
 COLECTOR ASPIRAÇÃO
 SPRUITSTUK AANZUIGING

R	N	P.N.	MOD	Q	Description Descrizione	Bezeichnung Beskrivelse	Description Denominação	Denominacion Beschrijving	L.C.
1		2852044		1	COVER COPERCHIO	ABDECKUNG DÆKSEL	COUVERCLE COBERTA	TAPADERA DEKSEL	265C
2		4899039		6	SCREW, Hex Flg, M8 x 1.25 x 25	SCHRAUBE	VIS	TORNILLO	040V
					VITE	SKRUE	PARAFUSO	SCHROEF	
4		2852267		2	SCREW, M8x1,25x90	SCHRAUBE	VIS	TORNILLO	040V
					VITE	SKRUE	PARAFUSO	SCHROEF	
4		2852266		2	SCREW, M8x1,25x140	SCHRAUBE	VIS	TORNILLO	040V
					VITE	SKRUE	PARAFUSO	SCHROEF	
5		4899921		2	GASKET GUARNIZIONE	DICHTUNG, FLACH PAKNING	JOINT JUNTA	JUNTA HERMETICA DICHTINGSSTUK	123G
6		2852040		1	ELBOW GOMITO	KNIESTUECK VINKELROER	COUDE JOELHO	CODO ELLEBOOG	085G
7		2856263		1	SPACER DISTANZIALE	DISTANZSTÜCK AFSTANDSSTYKKE	ENTRETOISE ESPACADOR	SEPARADOR AFSTANDSRING	075D

LM1060

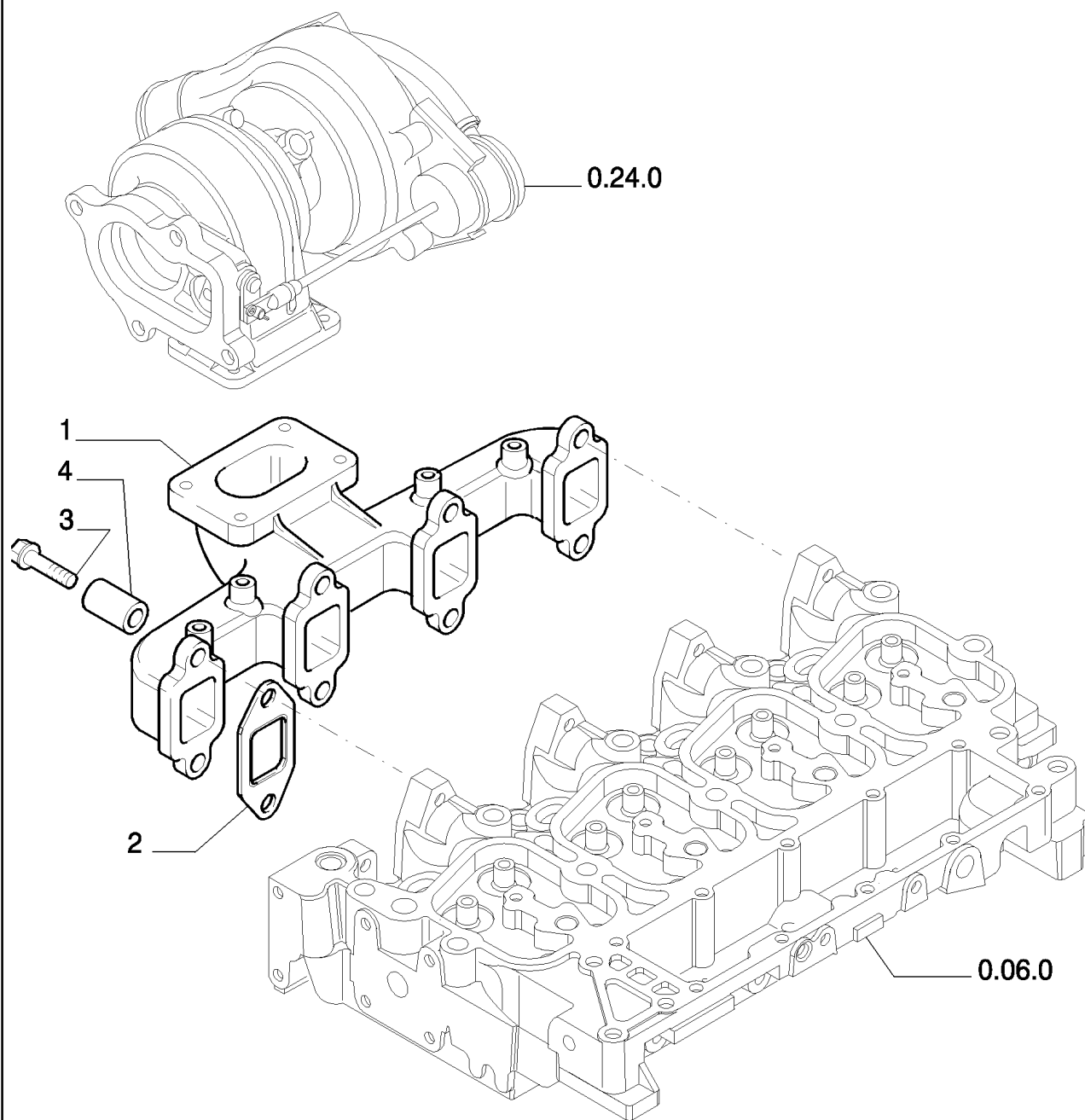
0.07.7

01

p1

02/08

EXHAUST MANIFOLD
AUSPUFFKRUEMMER
CONDUIT D'ECHAPPEMENT
COLLECTOR DE ESCAPE



<https://www.ebooklibonline.com>

Hello dear friend!

Thank you very much for reading.

Enter the link into your browser.

The full manual is available for immediate download.

<https://www.ebooklibonline.com>