



PARTS CATALOG

SKID STEER

L180



BD08B676

TABLE OF CONTENTS

- General Information
- Section 2 – Engine
- Section 3 – Fuel System
- Section 4 – Electrical System
- Section 6 – Power train
- Section 7 – Brakes
- Section 8 – Hydraulics
- Section 9 – Chassis/Attachments
- Index

TABLE OF CONTENTS

02-01	RADIATOR - COOLANT RECOVERY SYSTEM; BSN N8M464426
02-01A	FAN, RADIATOR/OIL COOLER - COOLANT RECOVERY SYSTEM; ASN N8M464426
02-01B	FAN; HIGH FLOW L180 ASN N8M464426
02-02	FAN, FAN BELT - STANDARD OIL COOLER; BSN N8M464426
02-03	EXHAUST SYSTEM; BSN N8M464426
02-03A	MUFFLER - ASPIRATED
02-03B	EXHAUST SYSTEM; ASN N8M464426
02-03C	KIT, ASPIRATOR; ASN N8M464426
02-04	AIR CLEANER - ENGINE; BSN N8M464426
02-04A	AIR CLEANER - ENGINE; ASN N8M464426
02-05	ENGINE - MOUNTING BSN N8M464426
02-05A	ENGINE - MOUNTING - NORTH AMERICA ASN N8M464426
02-05B	ENGINE - MOUNTING - EUROPE ASN N8M464426
02-06	OIL FILL, ENGINE BSN N8M464426
02-06A	OIL FILL, ENGINE ASN N8M464426
02-07	ENGINE - BLOCK HEATER; BSN N8M464426
02-07A	ENGINE - BLOCK HEATER; ASN N8M464426
02-07B	GRID HEATER; L180 BSN N8M464426
02-07C	GRID HEATER; L180 ASN N8M464426
02-08	ENGINE BSN N8M464426
02-08A	ENGINE - TIMER BSN N8M464426
02-09	CYLINDER BLOCK BSN N8M464426
02-10	CYLINDER BLOCK BSN N8M464426
02-11	OIL PUMP, PAN BSN N8M464426
02-12	CYLINDER BLOCK - COVERS BSN N8M464426
02-13	BREATHER - ENGINE BSN N8M464426
02-14	CYLINDER HEAD BSN N8M464426
02-15	CYLINDER HEAD - COVERS BSN N8M464426
02-16	CYLINDER HEAD - VALVE MECHANISM BSN N8M464426
02-17	INTAKE MANIFOLD BSN N8M464426
02-18	EXHAUST MANIFOLD BSN N8M464426
02-19	CRANKSHAFT BSN N8M464426
02-20	CONNECTING ROD BSN N8M464426
02-21	PISTON - ENGINE BSN N8M464426
02-22	FLYWHEEL - ENGINE BSN N8M464426
02-23	PULLEY - CRANKSHAFT BSN N8M464426
02-24	CAMSHAFT - TIMING CONTROL BSN N8M464426
02-26	ENGINE, OIL BSN N8M464426
02-27	OIL PUMP - ENGINE BSN N8M464426
02-28	OIL FILTERS - ENGINE BSN N8M464426
02-30	OIL FILTER AND COOLER BSN N8M464426
02-31	WATER PUMP BSN N8M464426
02-32	COOLING SYSTEM - ENGINE BSN N8M464426
02-33	THERMOSTAT - ENGINE COOLING SYSTEM BSN N8M464426
02-34	WATER PUMP - CONTROL BSN N8M464426
02-35	FAN DRIVE BSN N8M464426
02-36	POWER TAKE OFF BSN N8M464426
02-37	ENGINE - LIFT HOOK BSN N8M464426
02-38	ENGINE ASSY ASN N8M464426
02-39	CYLINDER BLOCK & RELATED PARTS ASN N8M464426
02-40	OIL SUMP & RELATED PARTS ASN N8M464426
02-41	ENGINE BLOCK FRONT COVER ASN N8M464426
02-42	FLYWHEEL CASE ASN N8M464426
02-43	ENGINE BREATHERS ASN N8M464426
02-44	CYLINDER HEAD & RELATED PARTS ASN N8M464426

TABLE OF CONTENTS

02-45	CYLINDER HEAD COVERS ASN N8M464426
02-46	ROCKER SHAFT ASN N8M464426
02-47	INTAKE MANIFOLD ASN N8M464426
02-48	HEAT EXCHANGER - ENGINE ASN N8M464426
02-49	EXHAUST MANIFOLD ASN N8M464426
02-50	CRANKSHAFT ASN N8M464426
02-51	CONNECTING ROD ASN N8M464426
02-52	PISTON - ENGINE ASN N8M464426
02-53	ENGINE - FLYWHEEL ASN N8M464426
02-54	PULLEY - CRANKSHAFT ASN N8M464426
02-55	CAMSHAFT - TIMING CONTROL ASN N8M464426
02-56	TURBOCHARGER ASN N8M464426
02-58	PUMP, ENGINE OIL & RELATED PARTS ASN N8M464426
02-59	FILTER ENGINE OIL ASN N8M464426
02-60	OIL PUMP PIPING ASN N8M464426
02-61	HEAT EXCHANGER ASN N8M464426
02-62	WATER PUMP & RELATED PARTS ASN N8M464426
02-63	PIPING - ENGINE COOLING SYSTEM ASN N8M464426
02-64	TEMPERATURE CONTROL (THERMOSTAT) ASN N8M464426
02-65	BELT PULLEY DRIVE & COVER ASN N8M464426
02-66	HOOKS - ENGINE ASN N8M464426
02-67	DIAGNOSTIC SENSOR ASN N8M464426
02-68	COMPLETION PARTS ASN N8M464426
02-69	MONITORING ELECTRICAL ACCESSORIES ASN N8M464426
03-01	FUEL TANK
03-01A	FUEL TANK - FUEL SHUT-OFF VALVE, IF USED
03-01B	FUEL TANK; L180 ASN N8M464426
03-02	CONTROLS - THROTTLE, LEFT SIDE
03-02A	CONTROLS - THROTTLE, RIGHT SIDE
03-02B	CONTROLS - THROTTLE, DELUXE CAB; IF USED, SEE REF 18
03-02C	CONTROLS - THROTTLE, DELUXE CAB; IF USED, SEE REF 18
03-03	FUEL INJECTION PUMP BSN N8M464426
03-03A	INJECTION PUMP ASN N8M464426
03-04	FUEL INJECTION SYSTEM - INJECTOR BSN N8M464426
03-04A	INJECTION EQUIPMENT - INJECTOR ASN N8M464426
03-05	INJECTION PUMP - CONTROL BSN N8M464426
03-05A	INJECTION EQUIPMENT - PIPING ASN N8M464426
03-06A	INJECTION EQUIPMENT - PIPING ASN N8M464426
03-07	FUEL INJECTION SYSTEM BSN N8M464426
03-07A	INJECTION EQUIPMENT - FUEL, RETURN ASN N8M464426
03-08	FUEL FILTER BSN N8M464426
03-08A	FUEL FILTER ASN N8M464426
03-09	FUEL PUMP BSN N8M464426
03-09A	FUEL PUMP ASN N8M464426
03-10	FUEL INJECTION SYSTEM BSN N8M464426
03-10A	PIPING - FUEL ASN N8M464426
03-11	FUEL LINES
04-01	STARTER MOUNTING - ALTERNATOR MOUNTING; L180 BSN N8M464426
04-01A	ALTERNATOR; L180 BSN N8M464426
04-01B	ENGINE, ALTERNATOR MOUNTING; L180 ASN N8M464426
04-01D	STARTER MOUNTING - ALTERNATOR MOUNTING; L180 ASN N8M464426
04-02	BATTERY - CABLES
04-02A	BATTERY - CABLES, DELUXE CAB
04-02B	BATTERY - CABLES, DELUXE CAB; L180 ASN N8M464426
04-03	ELECTRIC, CAB

<https://www.ebooklibonline.com>

Hello dear friend!

Thank you very much for reading.

Enter the link into your browser.

The full manual is available for immediate download.

<https://www.ebooklibonline.com>

TABLE OF CONTENTS

04-03A	OPTIONAL ADVANCED INSTRUMENT CLUSTER
04-03B	DIAGNOSTIC PLUG
04-03C	ELECTRIC CAB - RIGHT HAND CONSOLE, DELUXE CAB
04-03D	ELECTRIC CAB - LEFT HAND CONSOLE, DELUXE CAB; BSN N8M464426
04-03E	ELECTRIC CAB - LEFT HAND CONSOLE, DELUXE CAB; ASN N8M464426
04-03F	ELECTRIC CAB - MAIN HARNESS AND FUSE BLOCK, DELUXE CAB
04-03G	ELECTRIC CAB, HARNESS AND FUSE BLOCK (EUROPE) - DELUXE CAB
04-03H	ELECTRIC CAB, DELUXE CAB
04-03I	ELECTRIC CAB - LIGHTS, DELUXE CAB
04-03J	ELECTRIC CAB, TURN SIGNALS - DELUXE CAB
04-04	ELECTRIC, CAB - 4-WAY FLASHERS
04-05	ELECTRIC, ENGINE
04-05A	ELECTRIC, ENGINE; L180 ASN N8M464426
04-05B	SWITCH ASSY - OIL PRESSURE
04-06	ELECTRIC, MAIN
04-07	ELECTRIC, MAIN
04-08	ELECTRIC, CHASSIS
04-08A	ELECTRIC, CHASSIS - DELUXE CAB
04-09	ELECTRIC, MOUNTING PLATE
04-10	BACKUP ALARM
04-10A	BACK-UP ALARM - MODELS WITH PILOT CONTROL; IF USED
04-10B	BACK UP ALARM - MODELS WITH PILOT CONTROL; IF USED
04-10C	BACK UP ALARM - DELUXE CAB
04-11	HORN AND TURN SIGNAL
04-11A	HORN - DELUXE CAB
04-11B	ELECTRIC CAB, TURN SIGNALS - DELUXE CAB
04-12	REMOTE JUMP START (IF USED)
04-12A	REMOTE JUMP START (IF USED)
04-13	ELECTRIC POWER KIT
04-14	WARNING BEACON LIGHT
04-14A	BEACON KIT, DELUXE CAB
04-15	REAR LIGHT BAR, ON-ROAD
04-15A	REAR LIGHT BAR, ON ROAD
04-15B	REAR LIGHT ASSEMBLY - DELUXE CAB
04-16	BOOM, ON ROAD
04-16A	BOOM, ON ROAD - DELUXE CAB
04-17	FRONT HEADLAMP, ON-ROAD
04-17A	FRONT HEADLAMP WITH TURN SIGNALS, ON ROAD
04-17B	FRONT AND REAR WORK LIGHTS - DELUXE CAB
04-17C	FRONT HEADLAMP - DELUXE CAB
04-18	HARNESS, TWO SPEED
04-19	PILOT CONTROL HARNESS
04-20	LOADER LOCKOUT, PILOT CONTROLS (EUROPE)
04-21	ENGINE ELECTRIC INSTALLATION ASN N8M464426
04-22	HEAT AND AIR CONDITIONING CONTROLS; L180 ASN N8M464426
06-01	PUMP, TANDEM - MOUNTING
06-01A	HYDROSTATICS - TANDEM PUMP
06-01B	HYDROSTATICS - PUMP TO MANIFOLD
06-01C	HYDROSTATICS AND RESONATOR - TANDEM PUMP
06-02	PUMP, TANDEM - MOUNTING, MODELS WITH PILOT CONTROL
06-02A	HYDROSTATICS - PUMP TO MANIFOLD, MODELS WITH PILOT CONTROLS
06-02B	HYDROSTATICS - PUMP TO MANIFOLD, MODELS WITH PILOT CONTROLS
06-02C	HYDROSTATICS - DRIVE MOTORS TO MANIFOLD, MODELS WITH PILOT CONTROL
06-03D	HYDROSTATICS - PILOT CONTROL TO PUMP
06-03E	HYDROSTATICS - JOYSTICK VALVE KITS, ISO PATTERN, LEFT HAND

TABLE OF CONTENTS

06-03F	HYDROSTATICS - JOYSTICK VALVE KITS, ISO PATTERN, LEFT HAND
06-04	HYDROSTATICS - TWO SPEED
06-05	HYDROSTATICS - TWO SPEED, VALVE ASSY
06-06	PUMP, GEAR
06-07	PUMP, GEAR (HIGH FLOW)
06-08	MOTOR ASSY - SINGLE SPEED
06-09	MOTOR ASSY - SINGLE SPEED
06-10	MOTOR ASSY - SINGLE SPEED
06-11	MOTOR ASSY - TWO SPEED
06-12	MOTOR ASSY - TWO SPEED
06-13	MOTOR ASSY - TWO SPEED
06-14	PUMP, TANDEM
06-15	PUMP, TANDEM
06-16	PUMP, TANDEM
06-17	PUMP, TANDEM
06-18	PUMP, TANDEM
06-19	PUMP, TANDEM
06-20	FINAL DRIVE
06-21	TRANSMISSION CENTERING
06-22	WHEELS
06-23	REXROTH PUMP AA22
06-24	PRESSURE RELIEF VALVE
06-25	PRESSURE RELIEF VALVE
06-26	INTERNAL GEAR PUMP
06-27	ROTARY GROUP, RIGHT HAND ROTATION
06-28	ROTARY GROUP, LEFT HAND ROTATION
06-29	CONTROL, HYDRAULIC
06-30	CONTROL CARTRIDGE WITH ORIFICE
06-31	VALVE SECTION - LOCKING ELEMENTS
07-01	BRAKE SYSTEM - HYDRAULIC
07-01A	BRAKE SYSTEM - HYDRAULIC, MODELS WITH PILOT CONTROL
07-02	BRAKE - ON ROAD, PILOT CONTROL
08-01	CONTROL VALVE
08-01A	CONTROL VALVE, MODELS WITH PILOT CONTROL
08-01B	CONTROL VALVE, SEAL REPLACEMENT KITS
08-01C	CONTROL VALVE, SEAL KIT
08-01D	CONTROL VALVE, SPOOL END GROUP P. O.
08-01E	CONTROL VALVE, SPOOL END GROUP P. O.
08-01F	CONTROL VALVE - SPOOL END GROUP, DETENT
08-01G	CONTROL VALVE, CHECK VALVE GROUP
08-01H	CONTROL VALVE, SPOOL END GROUP P. O.
08-01J	CONTROL VALVE, PLUGS AND VALVES
08-02	HYDRAULICS - CONTROL VALVE
08-02A	HYDRAULICS - CONTROL VALVE, MODELS WITH PILOT CONTROL
08-02B	HYDRAULICS - PILOT CONTROL TO CONTROL VALVE
08-02C	HYDRAULICS - JOYSTICK VALVE KITS, ISO PATTERN, RIGHT HAND
08-03	BUCKET HYDRAULICS, STANDARD
08-04	HYDRAULICS - BUCKET, HIGH FLOW
08-05	HYDRAULICS - BOOM, STANDARD
08-06	HYDRAULICS - BOOM, HIGH FLOW
08-06A	HYDRAULICS - HIGH FLOW
08-06B	HYDRAULICS - HIGH FLOW, DELUXE CAB; L180 BSN N8M464426
08-06C	HYDRAULICS - HIGH FLOW
08-06D	HYDRAULICS - HIGH FLOW, DELUXE CAB; L180 ASN N8M464426
08-07	HYDRAULICS - HIGH FLOW, PILOT CONTROL; L180 BSN N8M464426

TABLE OF CONTENTS

08-07A	HYDRAULICS - HIGH FLOW, PILOT CONTROL; L180 ASN N8M464426
08-08	CONTROL VALVE HYDRAULICS, MODELS WITH PILOT CONTROL, EH AUX CONTROL
08-08A	CONTROL VALVE, MODELS WITH PILOT CONTROL, EH AUX CONTROL
08-08B	CONTROL VALVE EH PLUMBING, MODELS WITH PILOT CONTROL, EH AUX CONTROL
08-09	HYDRAULIC OIL COOLER - HIGH FLOW
08-09A	HYDRAULIC OIL COOLER - HIGH FLOW, PILOT CONTROL
08-09B	HYDRAULICS - OIL COOLER BYPASS; L180 ASN N8M464426
08-10	VALVE ASSY, CONTROL - HAND CONTROL
08-10A	CONTROL VALVE ASSY - HAND CONTROL
08-11	VALVE ASSY, CONTROL - FOOT CONTROL
08-11A	VALVE ASSY, CONTROL - SEAL REPLACEMENT KITS
08-12	VALVE ASSY, HIGH FLOW
08-12A	VALVE ASSY, HIGH FLOW
08-12C	CONTROL VALVE ASSY
08-13	HYDRAULICS - MOUNTING PLATE; IF USED
08-13A	HYDRAULIC MOUNT PLATE SHIELD KIT
08-14	VALVE ASSY - MOUNTING PLATE
08-15	HYDRAULICS - MOUNTING PLATE, WITHOUT HIGH FLOW
08-15A	HYDRAULICS - MOUNTING PLATE CONVERSION, WITHOUT HIGH FLOW
08-15B	HYDRAULICS - MOUNTING PLATE, WITHOUT HIGH FLOW (IF USED)
08-16	HYDRAULICS - MOUNTING PLATE, HIGH FLOW
08-16A	HYDRAULICS - MOUNTING PLATE CONVERSION, HIGH FLOW
08-17	CYLINDER ASSY - MOUNTING PLATE
08-18	BUCKET CYLINDER
08-19	BOOM CYLINDER
08-20	FILTER AND RESERVOIR; L180 BSN N8M464426
08-20A	FILTER AND RESERVOIR; L180 ASN N8M464426
08-21	FILTER ASSY
08-22	CONNECT UNDER PRESSURE COUPLERS
08-23	SECONDARY FRONT AUXILIARY
08-23A	SECONDARY FRONT AUXILIARY - DELUXE CAB
08-24	SECONDARY REAR AUXILIARY
08-24A	SECONDARY REAR AUXILIARY - DELUXE CAB
08-25	SECONDARY AUXILIARY - VALVE ASSY
08-26	CONTROL VALVE - SEAL REPLACEMENT KITS
08-27	CONTROL VALVE - SEAL KIT
08-28	CONTROL VALVE - MAIN RELIEF VALVE
08-29	CONTROL VALVE - SPOOL END GROUP, DETENT
08-30	CONTROL VALVE - SPOOL END GROUP
08-31	CONTROL VALVE - SPOOL END GROUP
08-32	CONTROL VALVE - CHECK VALVE GROUP
08-33	CONTROL VALVE - SPOOL END GROUP, DETENT
08-34	CONTROL VALVE - SPOOL END GROUP
08-34A	CONTROL VALVE - SPOOL END GROUP
08-35	CONTROL VALVE - SPOOL END GROUP
08-36	CONTROL VALVE - SEAL REPLACEMENT KITS
08-37	CONTROL VALVE - SEAL KIT
08-38	CONTROL VALVE - MAIN RELIEF VALVE
08-39	CONTROL VALVE, PLUGS AND VALVES
08-40	CONTROL VALVE, CHECK VALVE GROUP
08-41	CONTROL VALVE - SPOOL END GROUP, DETENT
08-42	CONTROL VALVE, SPOOL END GROUP P. O.
08-43	CONTROL VALVE, SPOOL END GROUP P. O.

TABLE OF CONTENTS

08-44	CONTROL VALVE, SPOOL END GROUP P. O.
08-45	CONTROL VALVE - SPOOL END GROUP
08-46	CONTROL VALVE - CHECK VALVE GROUP
08-47	CONTROL VALVE - SPOOL END GROUP, DETENT
08-48	CONTROL VALVE - SPOOL END GROUP, DETENT
08-49	CONTROL VALVE 87658052 - SEAL REPLACEMENT KITS
08-50	CONTROL VALVE, SPOOL END GROUP EHPV
08-51	CONTROL VALVE, SPOOL END GROUP EHPV
09-01	CHASSIS; BSN N8M464426
09-01A	CHASSIS; ASN N8M464426
09-02	PLATES, FLOOR
09-02A	FIRE EXTINGUISHER & INSIDE REAR-VIEW MIRROR
09-03	MOUNTING PLATE
09-04	BOOM
09-04A	CLEARANCE KIT
09-05	BOOM LOCK
09-05A	BOOM FLOAT KIT
09-06	BUCKETS - LOADER, DIRT / FOUNDRY
09-07	BUCKETS - LOADER, EXTENDED LOW PROFILE
09-08	BUCKETS - LOADER, UTILITY / LIGHT MATERIAL
09-09	BUCKETS - LOADER, MANURE / SLURRY
09-09A	BUCKET, CUTTING EDGE
09-09B	BUCKET, CUTTING EDGE KIT
09-10	PALLET FORK
09-11	FENDERS
09-11A	REAR FENDERS
09-12	CAB
09-12A	CAB - RIGHT HAND THROTTLE
09-12B	CAB - DELUXE CAB
09-12C	CAB - INTERIOR TRIM, MANUAL CONTROLS, DELUXE CAB
09-12D	CAB - INTERIOR TRIM, PILOT CONTROLS, DELUXE CAB
09-13	THRESHOLD - REAR WINDOW
09-13A	CAB - THRESHOLD, DELUXE CAB
09-13B	CAB - THRESHOLD/WASHER FLUID TANK, DELUXE CAB
09-14	CAB - WINDOWS
09-14A	CAB - WINDOWS AND HEADLINER, DELUXE CAB
09-14B	CAB - SIDE WINDOW, LEFT HAND, DELUXE CAB
09-14C	CAB - SIDE WINDOW, RIGHT HAND, DELUXE CAB
09-14D	CAB - TOP WINDOW, DELUXE CAB
09-14E	CAB - SIDE WINDOW ASSY, LEFT HAND, DELUXE CAB
09-14F	CAB - SIDE WINDOW, LEFT HAND ASSY, DELUXE CAB
09-14G	CAB - SIDE WINDOW, LEFT HAND ASSY, DELUXE CAB
09-14H	CAB - SIDE WINDOW, RIGHT HAND, DELUXE CAB
09-14I	CAB - SIDE WINDOW, RIGHT HAND ASSY, DELUXE CAB
09-14J	CAB - SIDE WINDOW, RIGHT HAND ASSY, DELUXE CAB
09-15	CAB DOOR
09-16	CAB DOOR - WIPER
09-17	CAB DOOR
09-17A	CAB - DOOR AND FRAME, DELUXE CAB
09-17B	CAB - DOOR, DELUXE CAB
09-17C	CAB - DOOR FRAME, DELUXE CAB
09-17D	CAB - DOOR KIT, DELUXE CAB
09-17E	DOOR - SWITCH ASSY
09-18	DEMOLITION DOOR
09-18A	CAB - DEMOLITION DOOR KIT, DELUXE CAB

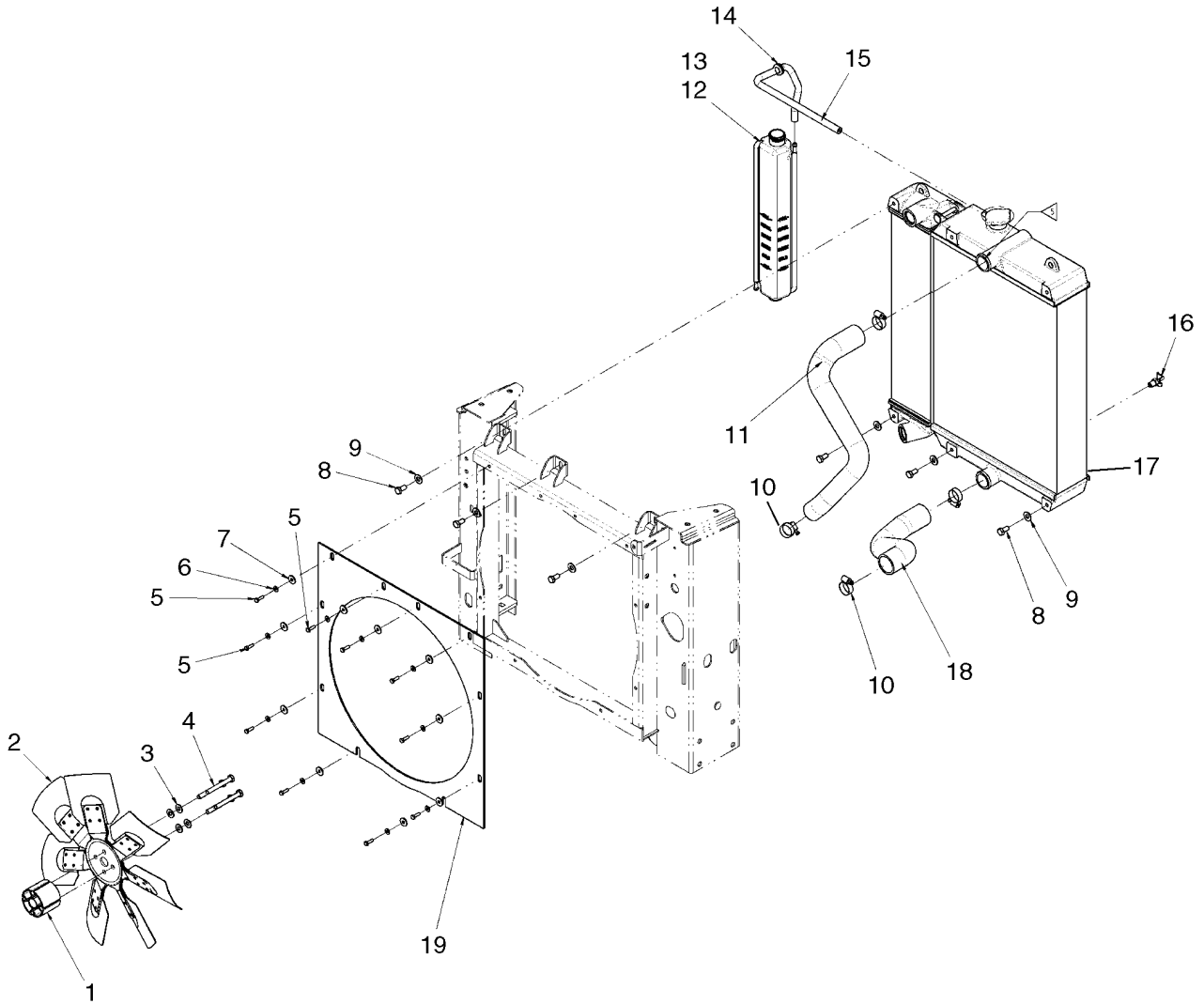
TABLE OF CONTENTS

09-18B	CAB - DEMOLITION DOOR AND FRAME, DELUXE CAB
09-18C	CAB - DEMOLITION DOOR, DELUXE CAB
09-19	DOOR, REAR; L180 BSN N8M464426
09-19A	DOOR, REAR; L180 ASN N8M464426
09-20	REAR HOOD; L180 BSN N8M464426
09-20A	REAR HOOD; L180 ASN N8M464426
09-21	CAB HEADLINER
09-21A	CAB - HEADLINER, DELUXE CAB
09-21B	CAB HEADLINER, DELUXE OPEN CAB
09-22	HEADLINER, CAB HEATER
09-23	HEATER SYSTEM
09-23A	HEATER SYSTEM, DELUXE CAB; L180 BSN N8M464426
09-23B	HEATER SYSTEM, DELUXE CAB; L180 ASN N8M464426
09-24	CAB HEATER
09-24A	CAB HEATER, DELUXE CAB
09-25	HEATER AND AIR CONDITIONING; L180 BSN N8M464426
09-25A	HEATER AND AIR CONDITIONING SYSTEM, DELUXE CAB; L180 BSN N8M464426
09-25B	HEATER AND AIR CONDITIONING; L180 ASN N8M464426
09-25C	HEATER AND AIR CONDITIONING SYSTEM; L180 ASN N8M464426
09-26	COMPRESSOR - CONDENSER, MODELS WITH AIR CONDITIONING
09-27	HEADLINER, MODELS WITH AIR CONDITIONING
09-28	AIR CONDITIONING ASSY
09-28A	HEATER AND AIR CONDITIONING UNIT, DELUXE CAB
09-29	HAND CONTROL - LEVERS
09-29B	HAND CONTROL - PILOT CONTROL, UPPER RH
09-29C	HAND CONTROL - PILOT CONTROL, UPPER RH
09-29D	HAND CONTROL - PILOT CONTROL, UPPER LH
09-29E	HAND CONTROL - PILOT CONTROL, UPPER LH
09-30	HAND CONTROL - KICK PANEL
09-31	HAND CONTROL - KICK PANEL
09-32	HAND CONTROL - TUNNEL COMPONENTS
09-32A	HAND CONTROL - TUNNEL COMPONENTS, PILOT CONTROL
09-33	HAND CONTROL - PEDALS; IF USED
09-33A	HAND CONTROL - PEDALS; IF USED
09-33B	PEDALS - MODELS WITH PILOT CONTROL
09-33C	FOOT THROTTLE KIT; BSN N8M464426
09-33D	FOOT THROTTLE KIT; ASN N8M464426
09-35	FOOT CONTROL - LEVERS
09-36	FOOT CONTROL - KICK PANEL, RIGHT HAND
09-37	FOOT CONTROL - KICK PANEL, LEFT HAND
09-38A	MULTI-FUNCTION HANDLE, LH
09-38B	MULTI-FUNCTION HANDLE - CONTROL
09-39	HANDLE, CONTROL, RIGHT HAND
09-39A	HANDLE, CONTROL, LEFT HAND
09-39B	HANDLE, LEFT HAND
09-39C	HANDLES, CONTROL - MODELS WITH PILOT CONTROL
09-40	PEDAL ASSY
09-41	SEAT ASSY, STANDARD
09-41A	SEAT ASSY, STANDARD
09-42	SEAT ASSY, SUSPENSION
09-42A	SEAT ASSY, SUSPENSION
09-43	SEAT BELT, STANDARD
09-44	SEAT BELT
09-44A	SEAT BELTS, OPTIONAL
09-44B	SEAT BELT, 3 IN. COMBINATION - IF USED

TABLE OF CONTENTS

09-44C	SEAT BELT, LAP BELT
09-45	FOREARM REST
09-45A	ARMREST - MODELS WITH PILOT CONTROL
09-45B	ARMREST - DELUXE CAB
09-46	COUNTERWEIGHT
09-46A	SLOW MOVING VEHICLE EMBLEM KIT
09-46B	MISCELLANEOUS PARTS, ON-ROAD
09-46C	CAB JACK KIT
09-46D	MANUAL COMPARTMENT LOCK & FIRE EXTINGUISHER, EUROPE
09-47	NOISE CONTROL BSN N8M464426
09-47A	NOISE CONTROL ASN N8M464426
09-47B	NOISE CONTROL, MUFFLER ASN N8M464426
09-48	ACOUSTICAL EQUIPMENT - DELUXE CAB
09-48A	ACOUSTICAL EQUIPMENT - PILOT CONTROL CONSOLE
09-49	DECALS - MODEL
09-50	DECALS
09-51	DECALS
09-52	DECALS
09-53	DECALS - PILOT CONTROLS
09-54	DECALS, THROTTLE
09-55	DECALS - CONTROLS
09-56	DECALS - DELUXE CAB
09-57	DECALS - DELUXE CAB
09-58	DECALS - DELUXE CAB
09-59	DECALS - BOOM AND LOAD (DELUXE CAB)
09-60	DECALS - 35TH ANNIVERSARY
09-61	DECALS

FAN, RADIATOR/OIL COOLER - COOLANT RECOVERY SYSTEM; ASN N8M464426
VENTILADOR, RADIADOR - SISTEMA DE RECUPERACION DEL REFRIGERANTE; ASN N8M464426
VENTILATEUR, RADIATEUR - CIRCUIT DE RECUPERATION DU LIQUIDE DE REFROIDISSEMENT; ASN N8M464426
LÜFTER, KÜHLER - KÜHLMITTEL-RÜCKGEWINNUNGSSYSTEM; ASN N8M464426



VENTILATORE, RADIATORE - SISTEMA DI RECUPERO DEL REFRIGERANTE; ASN N8M464426

VENTILATOR, KØLER - KØLEMIDDELGENINDVINDINGSSYSTEM; ASN N8M464426

VENTOINHA, RADIADOR - SISTEMA DE RECUPERAÇÃO DO FLUIDO DE REFRIGERAÇÃO; ASN N8M464426

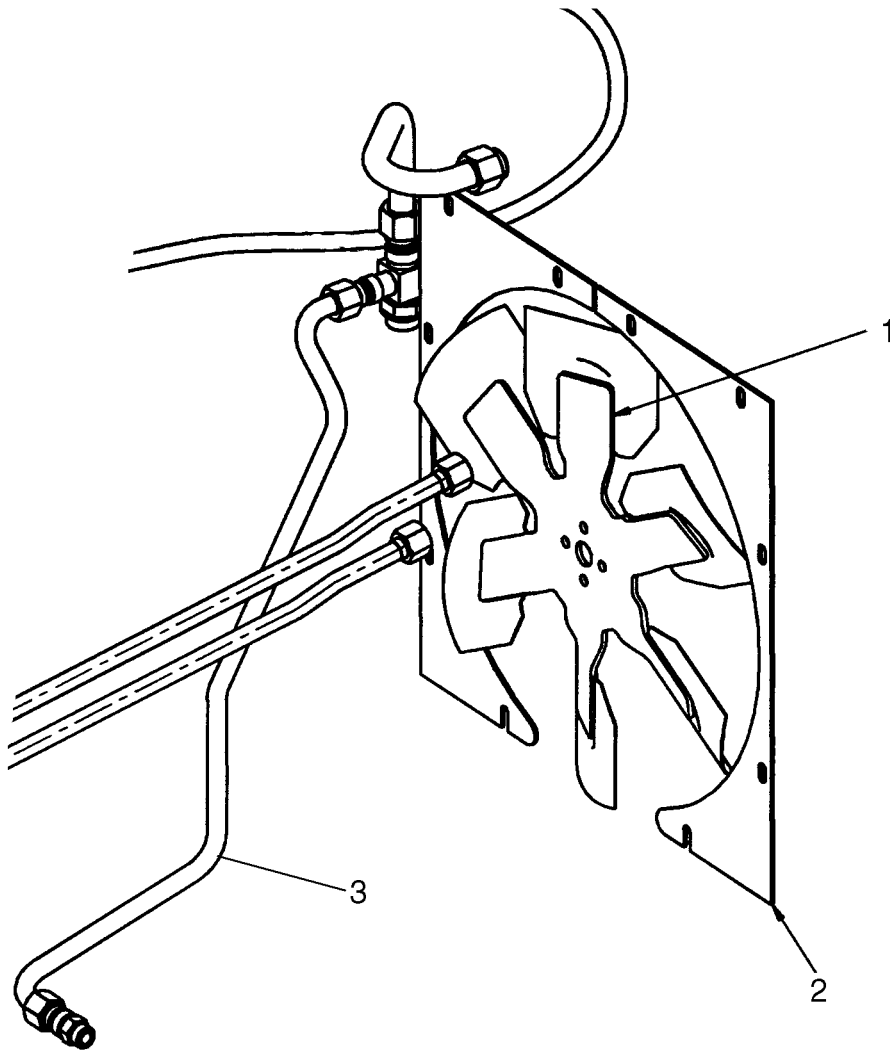
VENTILATOR, RADIATOR - KOELVLOEISTOFOPVANGSYSTEEM; ASN N8M464426

R	N	P.N.	MOD	Q	Description Descrizione	Denominacion Beskrivelse	Description Denominação	Bezeichnung Beschrijving	L.C.
15		87721289		1	HOSE, Coolant Expansion Reservoir , 590mm (23 1/4 in.), North American Models MANICOTTO FLESSIBILE	MANGA SLANGE	FLEXIBLE TUBO FLEXIVEL	SCHLAUCH FLEXIBELE BUIS	030M
15		87672323		1	HOSE, Coolant Expansion Reservoir , 590mm (23 1/4 in.), North American Models MANICOTTO FLESSIBILE	MANGA SLANGE	FLEXIBLE TUBO FLEXIVEL	SCHLAUCH FLEXIBELE BUIS	030M
16		86625234		1	COCK, DRAIN CRICCO	LLAVE DE PASO COCK, DRAIN	ROBINET DE VIDANGE DRENO	ABLASSHAHN COCK, DRAIN	Z158
17		87648127		1	COOLER, Radiator And Oil REFRIGERATORE	Cooler Module; See Fig 02-01B KØLER	ENFRIADOR REFROIDISSEUR	KÜHLER COOLER	2130
18		87648123		1	HOSE, Lower Radiator Hose MANICOTTO FLESSIBILE	MANGA SLANGE	FLEXIBLE TUBO FLEXIVEL	SCHLAUCH FLEXIBELE BUIS	030M
19		87662456		1	PLATE, Fan Shroud Front PIASTRA	PLACA PLADE	PLAQUE CHAPA	BLECH, PLATTE PLAAT	105P

ASN N8M464426

L180

FAN; HIGH FLOW L180 ASN N8M464426
VENTILADOR, FLUJO ALTO, L180 ASN N8M464426
VENTILATEUR, GRAND DEBIT, L180 ASN N8M464426
LÜFTER, HOHER DURCHFLUSS, L180 ASN N8M464426



VENTILATORE, ALTA PORTATA, L180 ASN N8M464426
 VENTILATOR, REGULATOR, L180 ASN N8M464426
 VENTOINHA, FLUXO ALTO, L180 ASN N8M464426
 VENTILATOR, HOOG DEBIET, L180 ASN N8M464426

R	N	P.N.	MOD	Q	Description Descrizione	Denominacion Beskrivelse	Description Denominação	Bezeichnung Beschrijving	L.C.
1		87680032		1	FAN, 518 mm VENTILATORE	VENTILADOR VENTILATOR	VENTILATEUR VENTOINHA	LÜFTER VENTILATOR	030V
2		87662454		2	PLATE, Front Fan Shroud PIASTRA	PLACA PLADE	PLAQUE CHAPA	BLECH, PLATTE PLAAT	105P
3		REF			INSTRUCTION, See Figure 08-09B, Oil Cooler Bypass ISTRUZIONI	MANUAL SKO, INDRE	NOTICE INSTRUCAO	HINWEIS INSTRUCTION	Z571

L180 ASN N8M464426

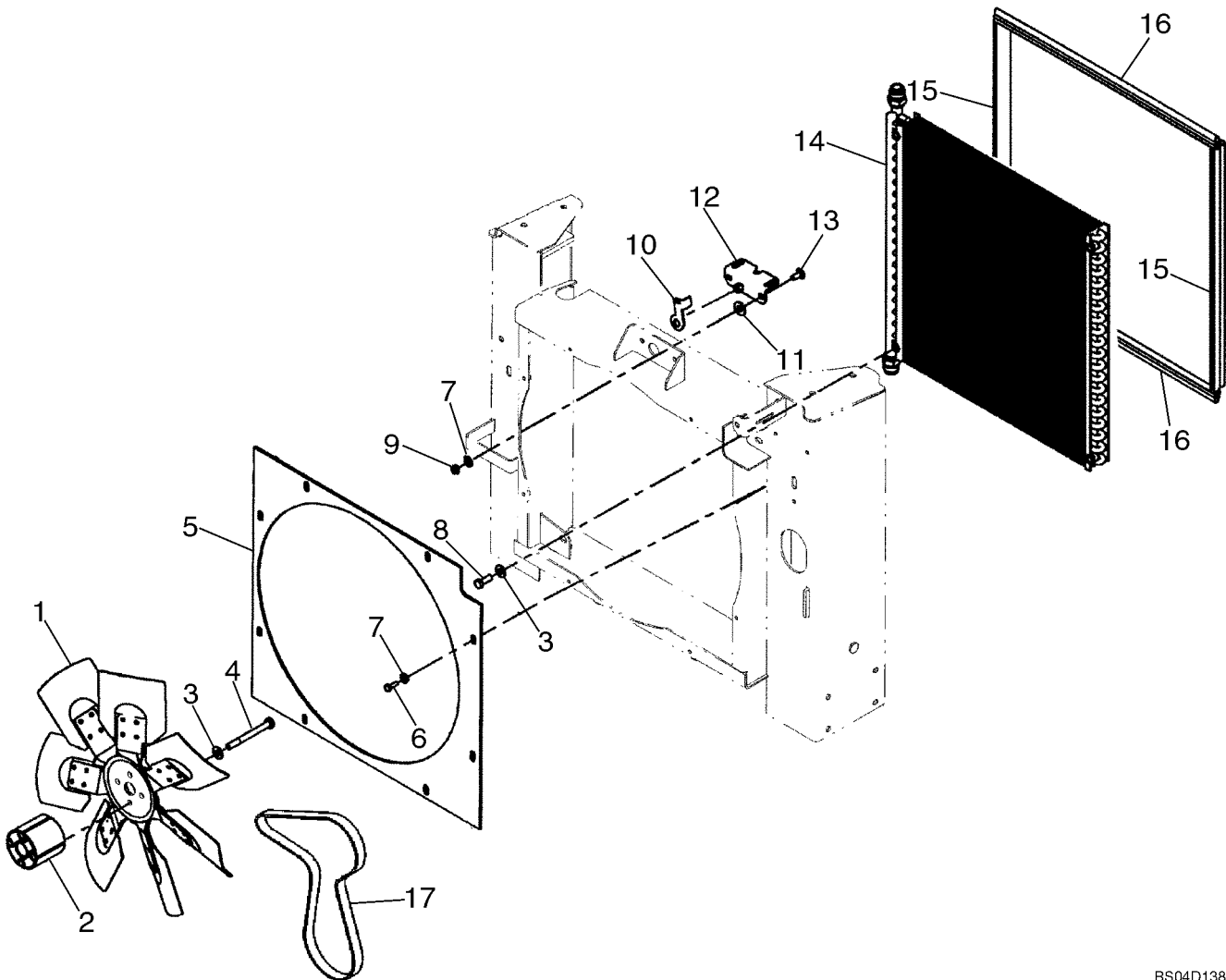
L180

FAN, FAN BELT - STANDARD OIL COOLER; BSN N8M464426

VENTILADOR, CORREA DEL VENTILADOR - REFRIGERADOR DE ACEITE, ESTANDAR; BSN N8M464426

VENTILATEUR, COURROIE DU VENTILATEUR - REFRIGDISSEUR D'HUILE, STANDARD; BSN N8M464426

LÜFTER, LÜFTERRIEMEN - ÖLKÜHLER, STANDARD; BSN N8M464426



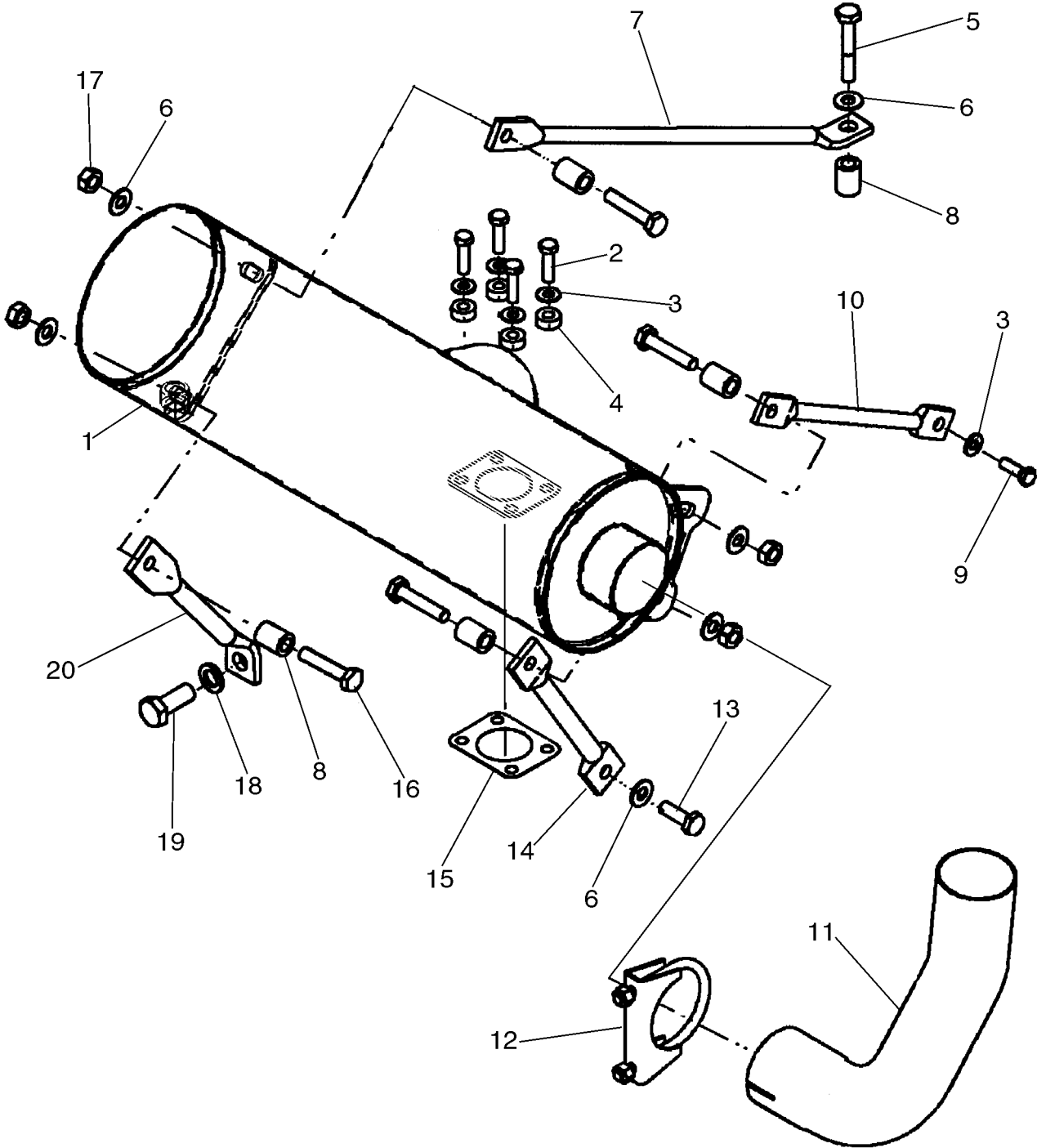
VENTILATORE, CINGHIA DEL VENTILATORE - SCAMBIATORE DI CALORE OLIO, STANDARD; BSN N8M464426
 VENTILATOR, VENTILATORREM - OLIEKØLER, STANDARD; BSN N8M464426
 VENTONHA, CORREIA DO VENTILADOR - ARREFECEDOR DO ÓLEO, STANDARD; BSN N8M464426
 VENTILATOR, VENTILATORRIEM - OLIEKOELER, STANDARD; BSN N8M464426

R	N	P.N.	MOD	Q	Description Descrizione	Denominacion Beskrivelse	Description Denominação	Bezeichnung Beschrijving	L.C.
1		87025470		1	FAN, 480 dia VENTILATORE	VENTILADOR VENTILATOR	VENTILATEUR VENTONHA	LÜFTER VENTILATOR	030V
2		A184547		1	SPACER, Fan DISTANZIALE	SEPARADOR AFSTANDSSTYKKE	ENTRETOISE ESPACADOR	DISTANZSTÜCK AFSTANDSRING	075D
3		140045		8	WASHER, SPRING, Belleville, M10	ARANDELA ABANICO BELLEVILLEVASKER	RONDELLE BELLEVILLE ARRUELA MOLA	FEDERSCHEIBE WASHER, SPRING	P692
4		120075		4	SCREW, Hex, M10 x 100, 8.8	TORNILLO	VIS	SCHRAUBE	040V
5		87051585		1	VITE SHROUD	SKRUE BOQUILLA	PARAFUSO BUSE	SCHROEF ABDECKUNG	7830
6		9707580		8	RIPARO BOLT, Hex, 1/4"-20 x 3/4", G5, Full Thd	DÆKKE TORNILLO	COBERTURA BOULON	SHROUD SCHRAUBE	140B
7		322357		8	BULLONE WASHER, SPRING, Belleville, M6	SKRUE	PARAFUSO	BOUT	
8		88206		4	MOLLA BELLEVILLE BOLT, Hex, 3/8"-16 x 1", G5, Full Thd	ARANDELA ABANICO BELLEVILLEVASKER TORNILLO	RONDELLE BELLEVILLE ARRUELA MOLA BOULON	FEDERSCHEIBE WASHER, SPRING SCHRAUBE	P692 140B
9		9635082		2	NUT, 5/16"-18, G5	TUERCA	ECROU	MUTTER	010D
10		87017116		1	DADO LEVER	MOETRIK PALANCA	PORCA LEVIER	MOER HEBEL	045L
11		80702		2	LEVA WASHER, 3/8"	HAANDTAG ARANDELA	ALAVANCA RONDELLE	HEFBOOM UNTERLEGSCHIEBE	131R
12		84015292		1	ROSETTA PIANA LOCK, If Used	FLADSKIVE CERRADURA	ANILHA SERRURE	SLUITRING SCHLOSS	120S
12		87705306		1	SERRATURA LATCH, If Used	LAAS PESTILLO	FECHADURA LOQUET	SLOT KLINKE	156C
13		280497		2	CHIAVISTELLO BOLT, CARRIAGE, Short NK, 5/16"-18 x 3/4", G5, Full Thd	PAL PERNO, CABEZA ROND/	TRINCO BOULON TETE BOMBEE	KLINK FLACHRUNDSCHRAUBE	P123
14		87014852		1	BULLONE TESTA TONDA COOLER, OIL, Oil; See Figure 08-20 For Upper and Lower Cooler Hoses	BOLT, CARRIAGE	PARAFUSO	BOLT, CARRIAGE	
15		87026112		2	RADIATORE OLIO SEAL	RADIADOR ACEITE OLIEKØLER	REFROIDISSEUR D'HUILE ARREFECEDOR	ÖLKÜHLER RADIATOR	026R
16		87016847		2	ANELLO DI TENUTA SEAL	ANILLO DE CIERRE PAKNINGSRING	JOINT ANEL DE VEDACAO	DICHTUNG DICHTINGSRING	132A
17		86982450		1	ANELLO DI TENUTA V-BELT	ANILLO DE CIERRE PAKNINGSRING	JOINT ANEL DE VEDACAO	DICHTUNG DICHTINGSRING	132A
				1	CINGHIA, TRAPEZ	CORREA TRAPEZOIDAL V-BELT	COURROIE TRAPEZOID. CORREIA V	KEILRIEMEN V-BELT	Z087

BSN N8M464426

L180

EXHAUST SYSTEM; BSN N8M464426
ESCAPE; BSN N8M464426
ECHAPPEMENT; BSN N8M464426
AUSPUFFSYSTEM; BSN N8M464426



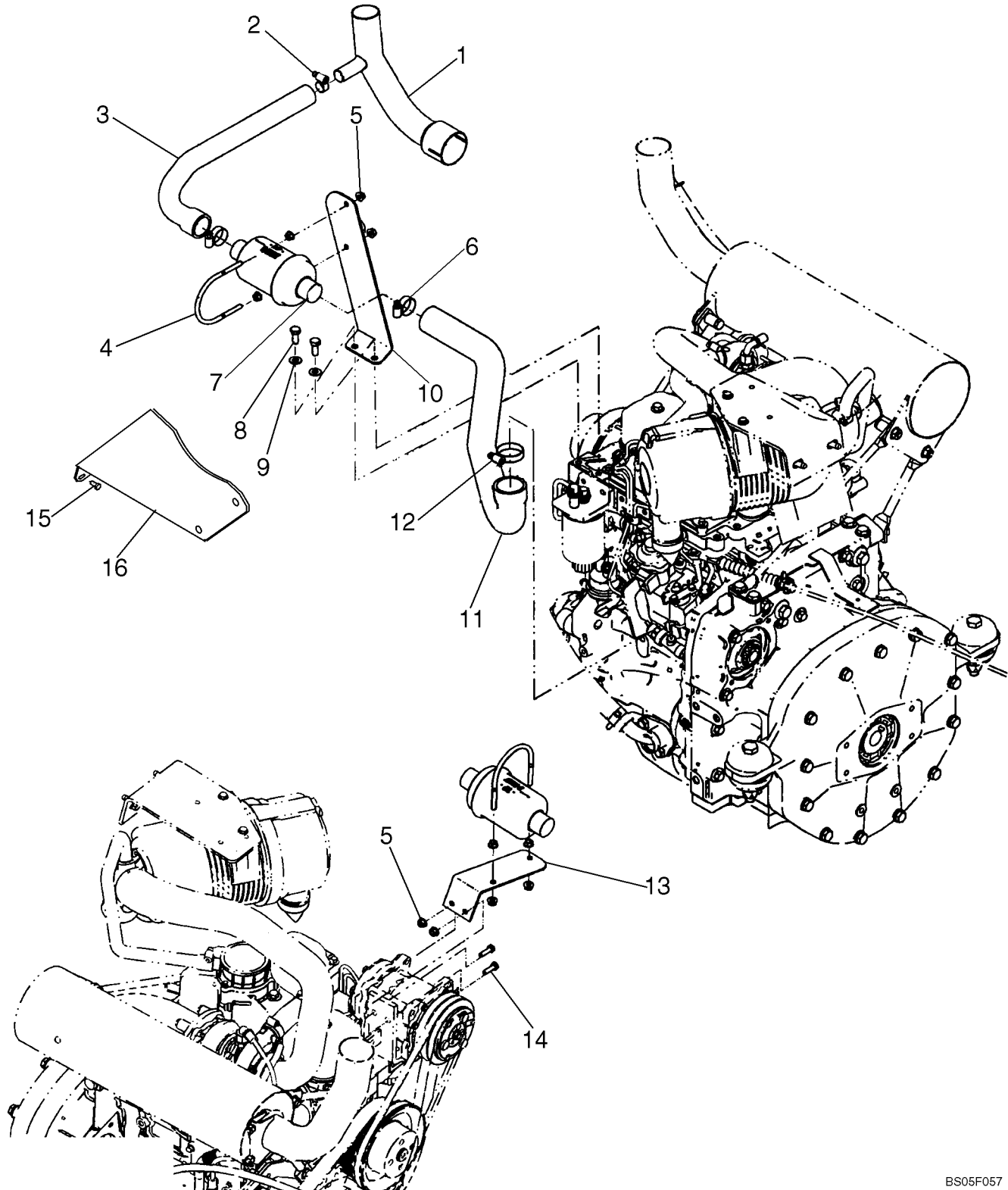
IMPIANTO DI SCARICO; BSN N8M464426
 UDSTØDNINGSSYSTEM; BSN N8M464426
 ESCAPAMENTO; BSN N8M464426
 UITLAATSYSTEEM; BSN N8M464426

R	N	P.N.	MOD	Q	Description Descrizione	Denominacion Beskrivelse	Description Denominação	Bezeichnung Beschrijving	L.C.
1		87368544		1	MUFFLER, Replaces 87045199	SILENCIADOR	SILENCIEUX	SCHALLDÄMPFER	160S
					SILENZIATORE	LYDDAEMPER	SILENCIADOR	KNALPOT	
2		43128		4	BOLT, Hex, M8 x 30, 8.8	TORNILLO	BOULON	SCHRAUBE	140B
					BULLONE	SKRUE	PARAFUSO	BOUT	
3		322358		5	WASHER, SPRING, Belleville, M8	ARANDELA ABANICO	RONDELLE BELLEVILLE	FEDERSCHEIBE	P692
					MOLLA BELLEVILLE	BELLEVILLEVASKER	ARRUELA MOLA	WASHER, SPRING	
4		87606607		4	SPACER, Muffler Spacer, Auto Coat; Replaces 86633393	SEPARADOR	ENTRETOISE	DISTANZSTÜCK	075D
					DISTANZIALE	AFSTANDSSTYKKE	ESPACADOR	AFSTANDSRING	
5		120070		1	BOLT, Hex, M10 x 60, 8.8	TORNILLO	BOULON	SCHRAUBE	140B
					BULLONE	SKRUE	PARAFUSO	BOUT	
6		140045		5	WASHER, SPRING, Belleville, M10	ARANDELA ABANICO	RONDELLE BELLEVILLE	FEDERSCHEIBE	P692
					MOLLA BELLEVILLE	BELLEVILLEVASKER	ARRUELA MOLA	WASHER, SPRING	
7		87033358		1	ROD, Muffler Support	VARILLA	TRINGLE	STAB	090A
					ASTA	STANG	HASTE	STANG	
8		256690A1		1	SPACER	SEPARADOR	ENTRETOISE	DISTANZSTÜCK	075D
					DISTANZIALE	AFSTANDSSTYKKE	ESPACADOR	AFSTANDSRING	
9		43127		1	BOLT, Hex, M8 x 25, 8.8	TORNILLO	BOULON	SCHRAUBE	140B
					BULLONE	SKRUE	PARAFUSO	BOUT	
10		87033357		1	ROD, Muffler Support	VARILLA	TRINGLE	STAB	090A
					ASTA	STANG	HASTE	STANG	
11		87368247		1	PIPE, EXHAUST SYSTEM, Replaces 87035330	TUBO DE ESCAPE	TUBE ECHAPPEMENT	AUSPUFFROHR	198T
					TUBO DI SCARICO	RØR, UDSTØDNINGS SY	TUBO ESCAPE	PIJP, UITLAATSYSTEEM	
12		87461995		1	CLAMP, Replaces A13240	BORNE	BRIDE	KLEMME	120M
					MORSETTO	SPÆNDEBÅND	BORNE	KLEM	
13		43140		1	BOLT, Hex, M10 x 30, 8.8, Full Thd	TORNILLO	BOULON	SCHRAUBE	140B
					BULLONE	SKRUE	PARAFUSO	BOUT	
14		87054821		1	ROD, Muffler Support	VARILLA	TRINGLE	STAB	090A
					ASTA	STANG	HASTE	STANG	
15		86606074		1	GASKET, Gasket, Muffler	JUNTA HERMETICA	JOINT	DICHTUNG, FLACH	3720
					GUARNIZIONE	PAKNING	JUNTA	DICHTINGSSTUK	
16		43249		4	SCREW, Hex, M10 x 50, 10.9	TORNILLO	VIS	SCHRAUBE	040V
					VITE	SKRUE	PARAFUSO	SCHROEF	
17		411345A1		4	NUT, M10	TUERCA	ECROU	MUTTER	5780
					DADO	MØTRIK	PORCA	MOER	
18		280854		1	BOLT, Hex, M14 x 35, 8.8, Full Thd	TORNILLO	BOULON	SCHRAUBE	140B
					BULLONE	SKRUE	PARAFUSO	BOUT	
19		140030		1	WASHER, LOCK, M14	ARANDELA DE FRENO	RONDELLE FREIN	SICHERUNGSSCHEIBE	132R
					ROSETTA DI SICUREZZA	LAASESKIVE	ANILHA DE FIXACAO	VEERRING	
20		87033359		1	ROD, Muffler Mounting	VARILLA	TRINGLE	STAB	090A
					ASTA	STANG	HASTE	STANG	

BSN N8M464426

L180

MUFFLER - ASPIRATED
SILENCIADOR - ASPIRADOR
SILENCIEUX - ASPIRATEUR
SCHALLDÄMPFER - SAUGGEBLÄSE

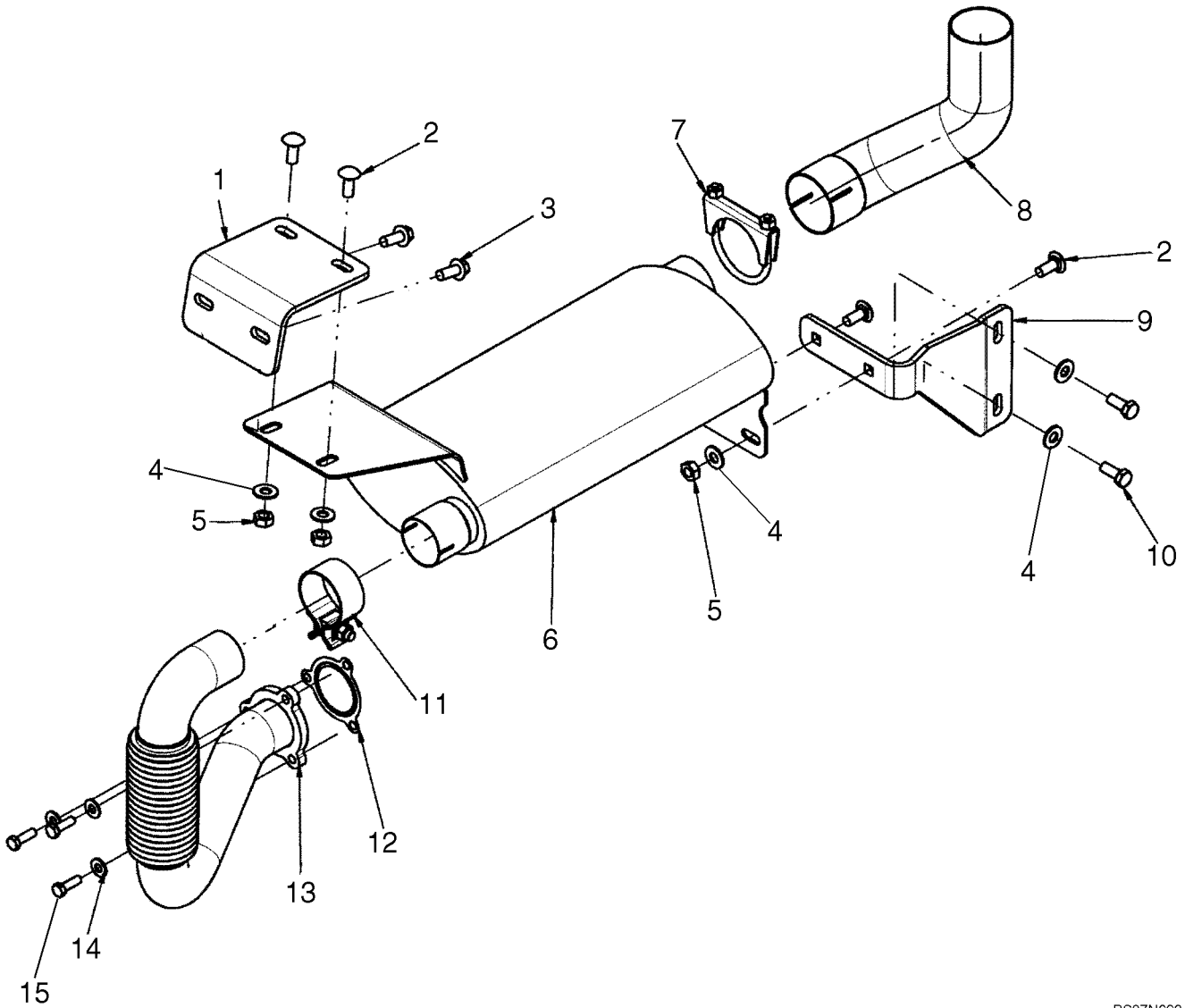


MARMITTA - ASPIRATORE
 LYDDÆMPER - ASPIRATOR
 SILENCIADOR - ASPIRADOR
 KNALPOT - ZUIGPOMP

R	N	P.N.	MOD	Q	Description Descrizione	Denominacion Beskrivelse	Description Denominação	Bezeichnung Beschrijving	L.C.
1		87050592		1	PIPE, Aspirator TUBO	CUELLO DE CARGA PAAFYLDNINGSSSTUDS	TUYAU TUBO DE ENCHIMENTO	ROHR OPVULPIJP	200T
2		507586		1	CLAMP, HOSE, #20, 0.81/1.75 Type F Worm	ABRAZADERA MANGUEI MORSETTO	BRIDE, FLEXIBLE	SCHLAUCHSCHELLE	P729
3		87047596		1	HOSE MANICOTTO FLESSIBILE	SLANGKLEMME MANGA	BRACADEIRA MANGUEI FLEXIBLE	SLANGKLEM SCHLAUCH	030M
4		87043330		1	U-BOLT CAVALLOTTO	HORQUILLA HAARNAAL	CAVALIER MOLA DE ENGATE	U-BOLZEN VEERKLEM	P611
5		9804277		6	NUT, M8 x 1.25, Flg, Cl 8 DADO	TUERCA MOETRIK	ECROU PORCA	MUTTER MOER	010D
6		84674		2	CLAMP, HOSE, #28, 1.31/2.25 Type F Worm	ABRAZADERA MANGUEI MORSETTO	BRIDE, FLEXIBLE	SCHLAUCHSCHELLE	P729
7		90-7640T1		1	VALVE, Check VALVOLA	VALVULA VALVE	VALVE VALVULA	VENTIL VALVE	P468
8		43139		2	SCREW, Hex, M10 x 25, 8.8, Full Thd, If Used VITE	TORNILLO SKRUE	VIS PARAFUSO	SCHRAUBE SCHROEF	040V
9		140045		2	WASHER, SPRING, Belleville, M10, If Used MOLLA BELLEVILLE	ARANDELA ABANICO BELLEVILLEVASKER	RONDELLE BELLEVILLE ARRUELA MOLA	FEDERSCHEIBE WASHER, SPRING	P692
10		87037817		1	BRACKET, If Used STAFFA	PIEZA DE SOPORTE BESLAG	PATTE FIXATION BRACADEIRA	KONSOLE STEUNBEUGEL	225S
11		87047595		1	HOSE, Aspirator Intake MANICOTTO FLESSIBILE	MANGA SLANGE	FLEXIBLE TUBO FLEXIVEL	SCHLAUCH FLEXIBELE BUIS	030M
12		86624194		1	CLAMP, HOSE, #36, 1.81/2.75 Type F Worm	ABRAZADERA MANGUEI MORSETTO	BRIDE, FLEXIBLE	SCHLAUCHSCHELLE	P729
13		87047397		1	ANGLE CANTONALE	PIEZ ANGULAR VINKELSTYKKE	CORNIERE ESQUADRO	WINKEL HOEKSTUK	057C
14		43127		2	BOLT, Hex, M8 x 25, 8.8 BULLONE	TORNILLO SKRUE	BOULON PARAFUSO	SCHRAUBE BOUT	140B
15		87462563		1	BRACKET, If Used STAFFA	PIEZA DE SOPORTE BESLAG	PATTE FIXATION BRACADEIRA	KONSOLE STEUNBEUGEL	225S
16		86637935		2	BOLT, Hex, 1/4"-20 x 1", G8, Full Thd, If Used BULLONE	TORNILLO SKRUE	BOULON PARAFUSO	SCHRAUBE BOUT	140B

L180

EXHAUST SYSTEM; ASN N8M464426
ESCAPE; ASN N8M464426
ECHAPPEMENT; ASN N8M464426
AUSPUFFSYSTEM; ASN N8M464426



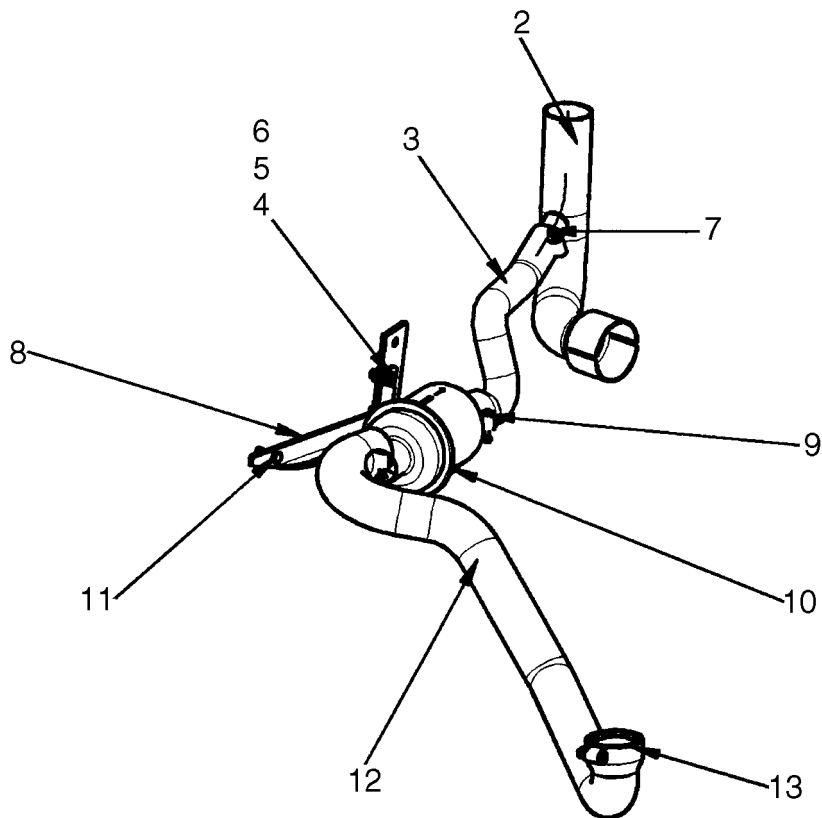
IMPIANTO DI SCARICO; ASN N8M464426
 UDSTØDNINGSSYSTEM; ASN N8M464426
 ESCAPAMENTO; ASN N8M464426
 UITLAATSYSTEEM; ASN N8M464426

R	N	P.N.	MOD	Q	Description Descrizione	Denominacion Beskrivelse	Description Denominação	Bezeichnung Beschrijving	L.C.
		REF			INSTRUCTION, See 02-03 For Other Option	MANUAL	NOTICE	HINWEIS	Z571
1		87525890		1	ISTRUZIONI	SKO, INDRE	INSTRUCAO	INSTRUCTION	
2		86633356		4	BRACKET, Muffler STAFFA	PIEZA DE SOPORTE BESLAG	PATTE FIXATION BRACADEIRA	KONSOLE STEUNBEUGEL	225S
3		{87550233}		2	BOLT, CARRIAGE, Short NK, M10 x 25, Cl8.8, Full Thd BULLONE TESTA TONDA	PERNO, CABEZA ROND/ BOLT, CARRIAGE	BOULON TETE BOMBEE PARAFUSO	FLACHRUNDSCHRAUBE BOLT, CARRIAGE	P123
4		86625253		6	WASHER, M11 x 24 x 2 ROSETTA PIANA	ARANDELA FLADSKIVE	RONDELLE ANILHA	UNTERLEGSCHIEBE SLUITRING	131R
5		100016		4	NUT, M10, Cl 8 DADO	TUERCA MOETRIK	ECROU PORCA	MUTTER MOER	010D
6		87672329		1	MUFFLER, Muffler, ASN N8M464426	SILENCIADOR	SILENCIEUX	SCHALLDÄMPFER	160S
7		87461995		1	CLAMP MORSETTO	LYDDAEMPER BORNE	SILENCIADOR BRIDE	KNALPOT KLEMME	120M
8		87611519		1	PIPE, EXHAUST SYSTEM, Tail Pipe	SPÆNDEBÅND	BORNE	KLEM	
9		87699912		1	TUBO DI SCARICO BRACKET, Muffler STAFFA	TUBO DE ESCAPE RØR, UDSTØDNINGSSY PIEZA DE SOPORTE BESLAG	TUBE ECHAPPEMENT TUBO ESCAPE PATTE FIXATION BRACADEIRA	AUSPUFFROHR PIJP, UITLAATSYSTEEM KONSOLE STEUNBEUGEL	198T 225S
10		43139		2	SCREW, Hex, M10 x 25, 8.8, Full Thd	TORNILLO	VIS	SCHRAUBE	040V
11		87644690		1	VITE CLAMP, Muffler Clamp MORSETTO	SKRUE BORNE	PARAFUSO BRIDE	SCHROEF KLEMME	120M
12		87611895		1	GASKET, Muffler GUARNIZIONE	SPÆNDEBÅND JUNTA HERMETICA PAKNING	BORNE JOINT JUNTA	KLEM DICHTUNG, FLACH DICHTINGSSTUK	123G
13		87632394		1	PIPE, EXHAUST SYSTEM, Coupler, Flexible Exhaust	TORNILLO	VIS	SCHRAUBE	040V
14		86625263		3	TUBO DI SCARICO WASHER, M8 x 20 x 1.6 ROSETTA PIANA	TUBO DE ESCAPE RØR, UDSTØDNINGSSY ARANDELA FLADSKIVE	TUBE ECHAPPEMENT TUBO ESCAPE RONDELLE ANILHA	AUSPUFFROHR PIJP, UITLAATSYSTEEM UNTERLEGSCHIEBE SLUITRING	198T 131R
15		43127		3	BOLT, Hex, M8 x 25, 8.8 BULLONE	TORNILLO SKRUE	BOULON PARAFUSO	SCHRAUBE BOUT	140B

ASN N8M464426

L180

KIT, ASPIRATOR; ASN N8M464426
JUEGO DE ASPIRADOR; ASN N8M464426
KIT, ASPIRATEUR; ASN N8M464426
KIT, SAUGGEBLÄSE; ASN N8M464426





Suggest:

For more complete manuals. Please go to the home page.

<https://www.ebooklibonline.com>

If the above button click is invalid. Please download this document first, and then click the above link to download the complete manual.

Thank you so much for reading

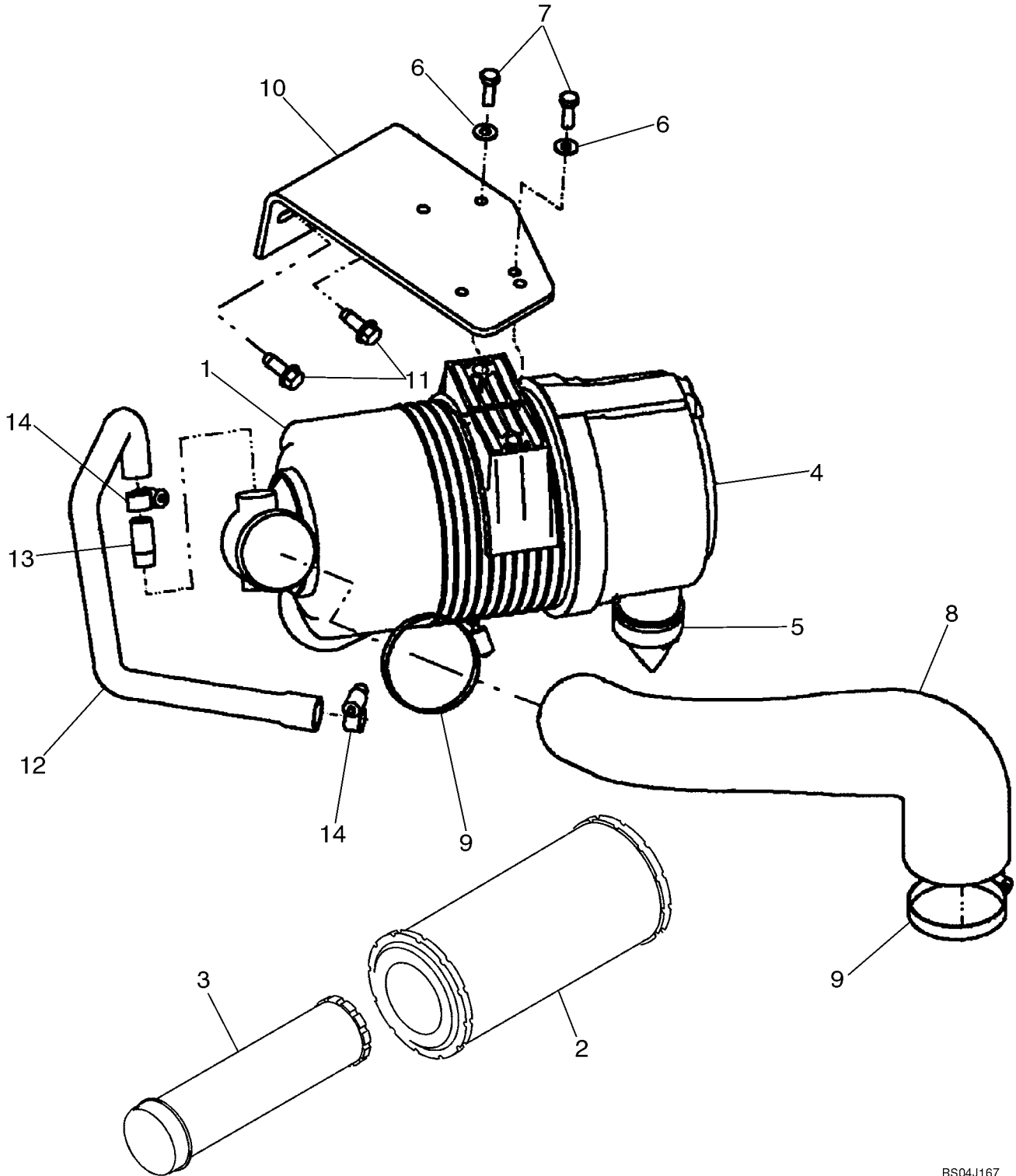
KIT, ASPIRATORE; ASN N8M464426
 SÆT, ASPIRATOR; ASN N8M464426
 KIT, ASPIRADOR; ASN N8M464426
 KIT, ZUIGPOMP; ASN N8M464426

R	N	P.N.	MOD	Q	Description Descrizione	Denominacion Beskrivelse	Description Denominação	Bezeichnung Beschrijving	L.C.
1		87681252		1	KIT, SERVICE, Aspirator; Incl 2 - 13 KIT ASSISTENZIALE	KIT, SERVICE SERVICE SAET	KIT ASSISTANCE KIT, SERVICE	SERVICE-KIT KIT, SERVICE	021K
2		87579219		1	PIPE, EXHAUST SYSTEM, Aspirator TUBO DI SCARICO	TUBO DE ESCAPE RØR, UDSSTØDNINGS SY	TUBE ECHAPPEMENT TUBO ESCAPE	AUSPUFFROHR PIJP, UITLAATSYSTEEM	198T 030M
3		87651979		1	HOSE, Aspirator Upper MANICOTTO FLESSIBILE	MANGA SLANGE	FLEXIBLE TUBO FLEXIVEL	SCHLAUCH FLEXIBELE BUIS	030M
4		43362		1	NUT, M8, CI 10 DADO	TUERCA MOETRIK	ECROU PORCA	MUTTER MOER	010D
5		86624184		1	WASHER, M8 x 16 x 1.6 ROSETTA PIANA	ARANDELA FLADSKIVE	RONDELLE ANILHA	UNTERLEGSCHEIBE SLUITRING	131R
6		120104		1	SCREW, Hex, M8 x 20, 8.8 VITE	TORNILLO SKRUE	VIS PARAFUSO	SCHRAUBE SCHROEF	040V
7		507586		1	CLAMP, HOSE, #20, 0.81/1.75 Type F Worm MORSETTO	ABRAZADERA MANGUEI SLANGKLEMME	BRIDE, FLEXIBLE BRACADEIRA MANGUEI	SCHLAUCHSCHELLE SLANGKLEM	P729
8		87756581		1	PLATE, Bracket, Aspirator Mounting PIASTRA	PLACA PLADE	PLAQUE CHAPA	BLECH, PLATTE PLAAT	105P
9		84674		2	CLAMP, HOSE, #28, 1.31/2.25 Type F Worm MORSETTO	ABRAZADERA MANGUEI SLANGKLEMME	BRIDE, FLEXIBLE BRACADEIRA MANGUEI	SCHLAUCHSCHELLE SLANGKLEM	P729
10		406089A2		1	VALVE, Valve, Aspirator Check VALVOLA	VALVULA VALVE	VALVE VALVULA	VENTIL VALVE	P468
11		86977786		2	BOLT, Hex, M6 x 25, 8.8 BULLONE	TORNILLO SKRUE	BOULON PARAFUSO	SCHRAUBE BOUT	140B
12		87651978		1	HOSE, Aspirator Lower MANICOTTO FLESSIBILE	MANGA SLANGE	FLEXIBLE TUBO FLEXIVEL	SCHLAUCH FLEXIBELE BUIS	030M
13		86624194		1	CLAMP, HOSE, #36, 1.81/2.75 Type F Worm MORSETTO	ABRAZADERA MANGUEI SLANGKLEMME	BRIDE, FLEXIBLE BRACADEIRA MANGUEI	SCHLAUCHSCHELLE SLANGKLEM	P729

ASN N8M464426

L180

AIR CLEANER - ENGINE; BSN N8M464426
FILTRO DE AIRE - MOTOR; BSN N8M464426
FILTRE A AIR - MOTEUR; BSN N8M464426
LUFTFILTER - MOTOR; BSN N8M464426



<https://www.ebooklibonline.com>

Hello dear friend!

Thank you very much for reading.

Enter the link into your browser.

The full manual is available for immediate download.

<https://www.ebooklibonline.com>