



---

# PARTS CATALOG

---

## SKID STEER

L160

L170

---



BD07D169

### TABLE OF CONTENTS

- General Information
- Section 1 – Engine
- Section 2 – Engine Equipment
- Section 3 – Ground Drive
- Section 6 – Electrical System
- Section 7 – Hydraulic System
- Section 8 – Sheet Metal/Decals
- Section 9 – Boom
- Section 10 – Operator's Platform
- Section 11 – Wheels
- Section 12 – Main Frame
- Section 18 – Accessories
- Section 19 – Attachments
- Index

# TABLE OF CONTENTS

01.01.01		ENGINE, L160
01.01.01	01	ENGINE, L160 - L160 BSN N7M448360, L160 EU BSN N7M462079
01.01.01	02	ENGINE, L160 - L160 ASN N7M448360, L160 EU ASN N7M462079
01.01.02		ENGINE, L170 BSN N7M456357, L170 EU BSN N7M468799
01.01.03		ENGINE, L170 ASN N7M456357, L170 EU ASN N7M468799
01.02.01		CYLINDER BLOCK, L160 BSN N7M448360, L160 EU BSN N7M462079
01.02.01	01	CYLINDER BLOCK, L160 ASN N7M448360, L160 EU ASN N7M462079
01.02.02		CYLINDER BLOCK, L170 BSN N7M456357, L170 EU BSN N7M468799
01.02.02	01	CYLINDER BLOCK, L170 ASN N7M456357, L170 EU ASN N7M468799
01.02.02	02	GASKET KIT
01.02.03		HIGH IDLE ADJUSTMENT, L160 ASN N7M448360, L160 EU ASN N7M462079, L170 ASN N7M456357, L170 EU ASN N7M
01.03		BLOCK HEATER KIT
01.04		CYLINDER HEAD, L170 BSN N7M456357, L170 EU BSN N7M468799
01.04.01		CYLINDER HEAD, L160 BSN N7M448360, L160 EU BSN N7M462079
01.04.01	01	CYLINDER HEAD, L160 ASN N7M448360, L160 EU ASN N7M462079, L170 ASN N7M456357, L170 EU ASN N7M468799
01.05		VALVE COVER & CRANKSHAFT PULLEY, L170 BSN N7M456357, L170 EU BSN N7M468799
01.05	01	VALVE COVER & CRANKSHAFT PULLEY, L170 ASN N7M456357, L170 EU ASN N7M468799
01.05.01		CYLINDER HEAD COVER, L160 BSN N7M448360, L160 EU BSN N7M462079
01.05.01	01	CYLINDER HEAD COVER & CRANKSHAFT PULLEY, L160 ASN N7M448360, L160 EU ASN N7M462079
01.06		ROCKER ARMS, L160
01.06.01		ROCKER ARMS, L170
01.07		CAMSHAFT - L160 BSN N7M448360, L160 EU BSN N7M462079, L170 BSN N7M456357, L170 EU BSN N7M468799
01.07		CAMSHAFT - L160 ASN N7M448360, L160 EU ASN N7M462079, L170 ASN N7M456357, L170 EU ASN N7M468799
01.08		CRANKSHAFT & PISTONS
01.09		INTAKE MANIFOLD
01.10		EXHAUST MANIFOLD, L160
01.10.01		EXHAUST MANIFOLD, L170 BSN N7M456357, L170 EU BSN N7M468799
01.10.01	01	EXHAUST MANIFOLD, L170 ASN N7M456357, L170 EU ASN N7M468799
01.11		TIMING GEAR CASE, GOVERNOR - L160 BSN N7M448360, L160 EU BSN N7M462079, L170 BSN N7M456357, L170 EU
01.11	01	TIMING GEAR CASE, GOVERNOR, L160 ASN N7M448360, L160 EU ASN N7M462079, L170 ASN N7M456357, L170 EU A
01.12		OIL PAN, GAUGE & RELATED PARTS
01.13		OIL PUMP & SUCTION FILTER - L160 BSN N7M448360, L160 EU BSN N7M462079, L170 BSN N7M456357, L170 EU B
01.13	01	OIL PUMP & SUCTION FILTER, L160 ASN N7M448360, L160 EU ASN N7M462079, L170 ASN N7M456357, L170 EU AS
01.14		FUEL INJECTION SYSTEM - L160 BSN N7M448360, L160 EU BSN N7M462079, L170 BSN N7M456357, L170 EU BSN N
01.14	01	FUEL INJECTION SYSTEM, L160 ASN N7M448360, L160 EU ASN N7M462079, L170 ASN N7M456357, L170 EU ASN N7
01.15		INJECTOR
01.15	01	INJECTION PUMP, L160 ASN N7M448360, L160 EU ASN N7M462079, L170 ASN N7M456357, L170 EU ASN N7M468799
01.15.01		WATER PUMP & RELATED PARTS, L160
01.15.02		WATER PUMP & RELATED PARTS, L170
02.02		FLYWHEEL, BELL HOUSING & STARTER
02.03		STARTER

---

# TABLE OF CONTENTS

---

02.04		ALTERNATOR MOUNTING
02.04.01		ALTERNATOR
02.06.01		AIR CLEANER, MUFFLER & FAN, L160
02.06.02		AIR CLEANER, MUFFLER & FAN, L170
02.07.01		AIR CLEANER - DONALDSON
02.07.02		AIR CLEANER INLET
02.08		MUFFLERS, ASPIRATOR & CATALYTIC
02.09		RADIATOR - COOLER
02.09.01		RADIATOR - COOLER
02.10		FUEL TANK (IF USED, ROUND FUEL PUMP, SEE REF 12)
02.10.1		FUEL TANK (IF USED, SQUARE FUEL PUMP, SEE REF 14)
03.01		FINAL DRIVE
03.01	01	FINAL DRIVE - DELUXE CAB
03.01.01		GEARBOX, RH & LH
03.02		TRANSMISSION CENTERING
03.03		MOUNTING - PUMP SUPPORT, PILOT CONTROL
03.04		HYDROSTATIC PUMP & MOTOR (IF USED)
03.04	02	HYDROSTATIC PUMP & MOTOR (IF USED, SEE REF 3)
03.04	03	HYDROSTATIC PUMP & MOTOR, MODELS WITH PILOT CONTROL
03.04	04	HYDROSTATIC PUMP & MOTOR, MODELS WITH PILOT CONTROL
03.04	05	HYDROSTATIC PUMP & MOTOR, MODELS WITH PILOT CONTROL
03.04.01		HYDROSTATIC CASE DRAIN
03.05		HYDROSTATICS - PILOT CONTROL TO PUMP
03.05.01		HYDROSTATICS - HAND CONTROL, PILOT CONTROLS
03.05.02		HAND CONTROL - PILOT CONTROL, UPPER LH
03.05.03		HYDROSTATICS - JOYSTICK VALVE KITS, ISO PATTERN
03.06.01		PISTON PUMP, FRONT
03.06.02		PISTON PUMP, CENTER MANIFOLD BLOCK
03.06.03		PISTON PUMP, REAR
03.07		HYDROSTATIC MOTOR
03.08.01		BRAKES
03.09		BRAKES, MODELS WITH PILOT CONTROL
03.09.01		BRAKE - ON ROAD, PILOT CONTROL
03.10		REXROTH PUMP AA20
03.10.01		PRESSURE RELIEF VALVE
03.10.02		PRESSURE RELIEF VALVE
03.10.03		INTERNAL GEAR PUMP
03.10.04		ROTARY GROUP, RIGHT HAND ROTATION
03.10.05		CONTROL, HYDRAULIC
03.10.06		CONTROL CARTRIDGE WITH ORIFICE
03.10.07		VALVE SECTION - LOCKING ELEMENTS
03.10.08		ROTARY GROUP, LEFT HAND ROTATION
06.01.01		MAIN ELECTRIC
06.01.01	02	MAIN ELECTRIC
06.01.01	03	OPTIONAL ADVANCED INSTRUMENT CLUSTER
06.01.01	04	DIAGNOSTIC PLUG
06.01.02		ELECTRIC POWER KIT
06.02		ELECTRIC, CAB
06.02.01		ELECTRIC, CAB - 4-WAY FLASHERS
06.02.02		ELECTRIC CAB - CONSOLE, RIGHT HAND, DELUXE CAB
06.02.03		ELECTRIC CAB - CONSOLE, LEFT HAND, DELUXE CAB
06.02.04		ELECTRIC CAB - MAIN HARNESS AND FUSE BLOCK, DELUXE CAB
06.02.05		ELECTRIC CAB, DELUXE CAB
06.02.06		ELECTRIC CAB - LIGHTS, DELUXE CAB
06.02.07		ELECTRIC CAB, TURN SIGNALS - DELUXE CAB

**<https://www.ebooklibonline.com>**

Hello dear friend!

Thank you very much for reading.

Enter the link into your browser.

The full manual is available for immediate download.

**<https://www.ebooklibonline.com>**

---

# TABLE OF CONTENTS

---

06.02.08		ELECTRIC CAB, HARNESS AND FUSE BLOCK (EUROPE) - DELUXE CAB
06.02.09		ELECTRIC CAB, LEFT HAND CONSOLE (EUROPE) - DELUXE CAB
06.02.10		ELECTRIC CAB, RIGHT HAND CONSOLE (EUROPE) - DELUXE CAB
06.03.01		HORN & TURN SIGNAL
06.03.02		HORN - DELUXE CAB
06.03.03		4-WAY FLASHERS
06.03.04		BEACON KIT & MISCELLANEOUS PARTS, ON-ROAD
06.03.04	01	BEACON KIT, DELUXE CAB
06.03.05		REAR LIGHT ASSEMBLY - DELUXE CAB
06.03.06		FRONT AND REAR WORK LIGHTS - DELUXE CAB
06.03.07		REAR LIGHT BAR, ON-ROAD
06.03.08		FRONT HEADLAMP, ON-ROAD
06.03.09		FRONT HEADLAMP, ON ROAD
06.03.10		FRONT HEADLAMP - DELUXE CAB
06.03.11		BOOM, ON ROAD WITH TURN SIGNALS
06.03.12		FRONT HEADLAMP WITH TURN SIGNALS, ON ROAD (EUROPE)
06.03.13		REAR LIGHT BAR, BRAKE AND TURN SIGNALS (EUROPE); IF USED
06.03.14		REAR LIGHT BAR, BRAKE AND TURN SIGNALS; IF USED (EUROPE)
06.04		CHASSIS ELECTRIC
06.04.01		CHASSIS ELECTRIC, DELUXE CAB
06.04.02		CHASSIS ELECTRIC, DELUXE CAB
06.04.03		BATTERY - CABLES
06.05		BACK-UP ALARM KIT
06.06		BACKUP ALARM; IF USED, SEE BRACKET REF 11
06.07		BACK-UP ALARM - MODELS WITH PILOT CONTROL; IF USED
06.07.01		BACK UP ALARM - MODELS WITH PILOT CONTROL; IF USED
06.08		PILOT CONTROL HARNESS
06.09		ENGINE ELECTRIC
06.10		MOUNTING PLATE ELECTRICAL
06.10.01		ELECTRIC, MOUNTING PLATE - DELUXE CAB
06.11		LOADER LOCKOUT, PILOT CONTROLS (EUROPE)
06.12		HARNESS - EH AUXILIARY JUMPER
07.01.01		BUCKET HYDRAULICS, STANDARD
07.01.01	01	BUCKET HYDRAULICS, STANDARD - MODELS WITH PILOT CONTROL
07.01.02		BUCKET HYDRAULICS, HIGH FLOW
07.01.02	01	BUCKET HYDRAULICS, HIGH FLOW - MODELS WITH PILOT CONTROL
07.01.02	02	AUXILIARY HYDRAULICS, HIGH FLOW - MODELS WITH PILOT CONTROL
07.01.03		BOOM HYDRAULICS, STANDARD
07.01.03	01	BOOM HYDRAULICS, STANDARD/HIGH FLOW - MODELS WITH PILOT CONTROL
07.01.03	02	AUXILIARY HYDRAULICS, STANDARD; IF USED
07.01.04		BOOM HYDRAULICS, HIGH FLOW
07.01.05		CONNECT UNDER PRESSURE COUPLERS
07.02.01		BUCKET CYLINDER
07.02.02		BOOM CYLINDER
07.03		HYDRAULIC GEAR PUMP
07.03.01		HYDRAULIC GEAR PUMP (HIGH FLOW) L170
07.03.02		HYDRAULIC GEAR PUMP (HIGH FLOW) L160
07.03.03		HYDRAULIC GEAR PUMP, STANDARD (L160)
07.03.04		HYDRAULIC GEAR PUMP, STANDARD (L170)
07.03.05		HYDRAULIC GEAR PUMP, STANDARD - PILOT CONTROL
07.04		HYDRAULICS, PILOT CONTROL TO CONTROL VALVE
07.04	01	HYDRAULICS - HAND CONTROL RH, MODELS WITH PILOT CONTROL
07.04	02	HAND CONTROL - PILOT CONTROL, UPPER RH
07.04	03	HYDRAULICS - JOYSTICK VALVE KITS, ISO PATTERN, RIGHT HAND
07.04.01		CONTROL VALVE HYDRAULICS

---

# TABLE OF CONTENTS

---

07.04.01	01	CONTROL VALVE HYDRAULICS, MODELS WITH PILOT CONTROL
07.04.02		CONTROL VALVE HYDRAULICS, HIGH FLOW
07.04.02	01	HIGH FLOW HYDRAULICS, TOGGLE SWITCH BEHIND LH HYDROSTATIC HANDLE
07.04.02	02	HIGH FLOW HYDRAULICS, ROCKER SWITCH ON IGNITION PANEL
07.04.02	03	HIGH FLOW HYDRAULICS, MODELS WITH PILOT CONTROL
07.04.02	04	HIGH FLOW HYDRAULICS, PILOT CONTROL - DELUXE CAB
07.04.02	05	HIGH FLOW HYDRAULICS - DELUXE CAB
07.04.03		CONTROL VALVE
07.04.03	01	CONTROL VALVE, MODELS WITH PILOT CONTROL
07.04.03	02	CONTROL VALVE 87357099, SEAL REPLACEMENT KITS
07.04.03	03	CONTROL VALVE, SEAL KIT
07.04.03	04	CONTROL VALVE, SPOOL END GROUP P. O.
07.04.03	05	CONTROL VALVE, SPOOL END GROUP P. O.
07.04.03	06	CONTROL VALVE - SPOOL END GROUP, DETENT
07.04.03	07	CONTROL VALVE, CHECK VALVE GROUP
07.04.03	08	CONTROL VALVE, SPOOL END GROUP P. O.
07.04.03	09	CONTROL VALVE, PLUGS AND VALVES
07.04.04		CONTROL VALVE - SEAL REPLACEMENT KITS
07.04.04	01	CONTROL VALVE - SEAL KIT
07.04.04	02	CONTROL VALVE - MAIN RELIEF VALVE
07.04.04	03	CONTROL VALVE, PLUGS AND VALVES
07.04.04	04	CONTROL VALVE, CHECK VALVE GROUP
07.04.04	05	CONTROL VALVE - SPOOL END GROUP, DETENT
07.04.04	06	CONTROL VALVE, SPOOL END GROUP P. O.
07.04.04	07	CONTROL VALVE, SPOOL END GROUP P. O.
07.04.04	08	CONTROL VALVE, SPOOL END GROUP P. O.
07.04.04	09	CONTROL VALVE - SPOOL END GROUP
07.04.04	10	CONTROL VALVE - CHECK VALVE GROUP
07.04.05		SELECTOR VALVE, HIGH FLOW
07.05		HYDRAULIC RESERVOIR & FILTER
07.05.01		HYDRAULIC RESERVOIR & FILTER, MODELS WITH PILOT CONTROL
07.06.01		OIL COOLER, STANDARD
07.06.02		OIL COOLER, HIGH-PERFORMANCE
07.07.01		HIGH FLOW KIT, L160
07.07.02		HIGH FLOW KIT, L170
07.08.01		2ND FRONT AUXILIARY KIT
07.08.02		REAR AUXILIARY HYDRAULICS
07.08.03.01		SECONDARY CONTROL VALVE, EATON
07.08.03.02		SECONDARY CONTROL VALVE, EATON/VICKERS
07.09.01		ENHANCED BOOM FLOAT KIT
07.09.02		BUCKET CIRCUIT CHECK VALVE
07.10		HYDRAULIC MOUNT PLATE SHIELD KIT
07.10.01		HYDRAULIC MOUNTING PLATE
07.10.01	01	HYDRAULICS - MOUNTING PLATE; IF USED
07.10.02		CYLINDER ASSY - MOUNTING PLATE
07.10.03		VALVE ASSY - MOUNTING PLATE
07.10.04		HYDRAULICS - MOUNTING PLATE, BOOM HYDRAULICS
07.10.05		BOOM HYDRAULICS - MOUNTING PLATE, HIGH FLOW
07.10.06		BOOM HYDRAULICS - MOUNTING PLATE, HIGH FLOW (IF USED)
07.10.07		BOOM HYDRAULICS - MOUNTING PLATE, STANDARD FLOW
07.10.08		BOOM HYDRAULICS - MOUNTING PLATE, STANDARD FLOW (IF USED)
07.11		CONTROL VALVE HYDRAULICS, MODELS WITH PILOT CONTROL, EH AUX CONTROL
07.12		CONTROL VALVE, MODELS WITH PILOT CONTROL, EH AUX CONTROL
07.13		CONTROL VALVE, MODELS WITH PILOT CONTROL, EH AUX CONTROL

---

# TABLE OF CONTENTS

---

07.14		CONTROL VALVE 87653270 - SEAL REPLACEMENT KITS
07.14.01		CONTROL VALVE - SEAL KIT
07.14.02		CONTROL VALVE - MAIN RELIEF VALVE
07.14.03		CONTROL VALVE, PLUGS AND VALVES
07.14.04		CONTROL VALVE, CHECK VALVE GROUP
07.14.05		CONTROL VALVE, SPOOL END GROUP P. O.
07.14.06		CONTROL VALVE, SPOOL END GROUP P. O.
07.14.07		CONTROL VALVE, SPOOL END GROUP P. O.
07.14.08		CONTROL VALVE - CHECK VALVE GROUP
07.14.09		CONTROL VALVE, SPOOL END GROUP EHPV
07.14.10		CONTROL VALVE, SPOOL END GROUP EHPV
08.01.01		REAR HOOD
08.01.02		REAR HOOD
08.02		FENDERS
08.03		SLOW MOVING VEHICLE EMBLEM KIT
08.04		DECALS - MODEL (L160)
08.04.01		DECALS - MODEL (L170)
08.04.01	01	DECALS, THROTTLE
08.04.02		DECALS
08.04.03		DECALS
08.04.04		DECALS
08.04.05		DECALS - PILOT CONTROLS
08.04.06		DECALS - BRAZILIAN PORTUGUESE, CANADIAN FRENCH, LATIN AMERICAN SPANISH
08.04.07		DECALS - BOOM AND LOAD
08.04.08		DECALS - CONTROLS
08.04.09		DECALS - DELUXE CAB
08.04.10		DECALS - DELUXE CAB
08.04.10	01	DECALS
08.04.11		DECALS - DELUXE CAB
08.04.12		DECALS - 35TH ANNIVERSARY
08.06		ACOUSTICAL EQUIPMENT
08.06.01		ACOUSTICAL EQUIPMENT
08.06.02		ACOUSTICAL EQUIPMENT
08.06.03		ACOUSTICAL EQUIPMENT
08.06.04		ACOUSTICAL EQUIPMENT
08.06.05		ACOUSTICAL EQUIPMENT - PILOT CONTROL CONSOLE
08.06.06		ACOUSTICAL EQUIPMENT - MUFFLER WRAP (L160)
08.06.07		ACOUSTICAL EQUIPMENT - MUFFLER WRAP (L170)
08.06.08		ACOUSTICAL EQUIPMENT - REAR WINDOW PANEL
09.01		BOOM
09.01.01		BOOM - DELUXE CAB
09.02		BOOM, ON-ROAD
09.03		BOOM LOCK
09.04		MOUNTING PLATE
09.05		MOUNTING PLATE
09.06		CLEARANCE KIT
10.01.01		CAB
10.01.02		CAB - RIGHT HAND THROTTLE
10.01.03		CAB - DELUXE
10.01.04		CAB - INTERIOR TRIM, MANUAL CONTROLS, DELUXE CAB
10.01.05		CAB - INTERIOR TRIM, PILOT CONTROLS, DELUXE CAB
10.01.06		FIRE EXTINGUISHER, MIRROR KIT
10.01.07		MANUAL COMPARTMENT LOCK & FIRE EXTINGUISHER
10.02.01		CAB - WINDOWS AND HEADLINER, DELUXE CAB

---

# TABLE OF CONTENTS

---

10.02.02		CAB - SIDE WINDOW, RIGHT HAND, DELUXE CAB
10.02.02	01	CAB - SIDE WINDOW, RIGHT HAND, DELUXE CAB
10.02.02	02	CAB - SIDE WINDOW, RIGHT HAND ASSY, DELUXE CAB
10.02.02	03	CAB - SIDE WINDOW, RIGHT HAND ASSY, DELUXE CAB
10.02.03		CAB - SIDE WINDOW, LEFT HAND, DELUXE CAB
10.02.03	01	CAB - SIDE WINDOW ASSY, LEFT HAND, DELUXE CAB
10.02.03	02	CAB - SIDE WINDOW, LEFT HAND ASSY, DELUXE CAB
10.02.03	03	CAB - SIDE WINDOW, LEFT HAND ASSY, DELUXE CAB
10.02.04		CAB - TOP WINDOW, DELUXE CAB
10.02.05		HEADLINER
10.02.06		HEADLINER, CAB HEATER
10.02.07		CAB - HEADLINER, DELUXE CAB
10.02.08		CAB HEADLINER, DELUXE OPEN CAB
10.03	01	CAB HEATER
10.03.01		HEATER KIT
10.03.02		CAB - HEATER SYSTEM, DELUXE CAB (L160)
10.03.03		CAB - HEATER SYSTEM, DELUXE CAB (L170)
10.04		THRESHOLD & REAR WINDOW, NORTH AMERICA
10.04.01		CAB - THRESHOLD, DELUXE CAB
10.04.02		CAB - THRESHOLD/WASHER FLUID TANK, DELUXE CAB
10.04.03		CAB - THRESHOLD, DELUXE CAB (EUROPE)
10.05.01		CAB ENCLOSURE KIT, FLOOR PLATE & WINDOWS
10.05.02		CAB ENCLOSURE KIT, DOOR ATTACHING & WIRING
10.05.03		CAB ENCLOSURE KIT, DOOR & DOOR WIPER MOTOR
10.06.01		CAB DOOR
10.06.02		CAB DOOR - WIPER
10.06.03		CAB DOOR
10.06.04		CAB - DOOR, DELUXE CAB
10.06.05		CAB - DOOR FRAME, DELUXE CAB
10.06.06		CAB - DOOR KIT, DELUXE CAB
10.06.07		CAB - DEMOLITION DOOR KIT, DELUXE CAB
10.06.08		CAB - DEMOLITION DOOR AND FRAME, DELUXE CAB
10.06.09		CAB - DEMOLITION DOOR, DELUXE CAB
10.07		CAB DOOR KIT
10.07.02		DOOR - SWITCH ASSY, IF USED
10.08		DEMOLITION DOOR KIT
10.08.01		DEMOLITION DOOR KIT, L/DOOR
10.09		THROTTLE CONTROL
10.09.01		THROTTLE - CONTROLS, RIGHT HAND
10.09.02		THROTTLE CONTROL - DELUXE CAB
10.10		FOREARM REST KIT
10.10.01		ARMREST - MODELS WITH PILOT CONTROL
10.10.02		ARMREST - DELUXE CAB
10.11.01		SEAT, STANDARD
10.11.01	01	SEAT ASSY, STANDARD
10.11.02		SEAT, SUSPENSION
10.11.03		SEATBELTS, OPTIONAL
10.11.03	02	SEAT BELT, 3 IN. COMBINATION - IF USED
10.11.03	03	SEAT BELT, LAP BELT
10.11.04		ARM PAD & ARMREST KIT, STANDARD SEAT
10.12.01		BOOM & BUCKET FOOT CONTROL, HYDROSTATIC LEVERS
10.12.02		BOOM & BUCKET FOOT CONTROL, KICK PANEL, LH
10.12.02	02	BOOM & BUCKET FOOT CONTROL, KICK PANEL, LH (IF USED)
10.12.03		BOOM & BUCKET FOOT CONTROL, KICK PANEL, RH
10.15.01		BOOM & BUCKET FOOT CONTROL, PEDALS

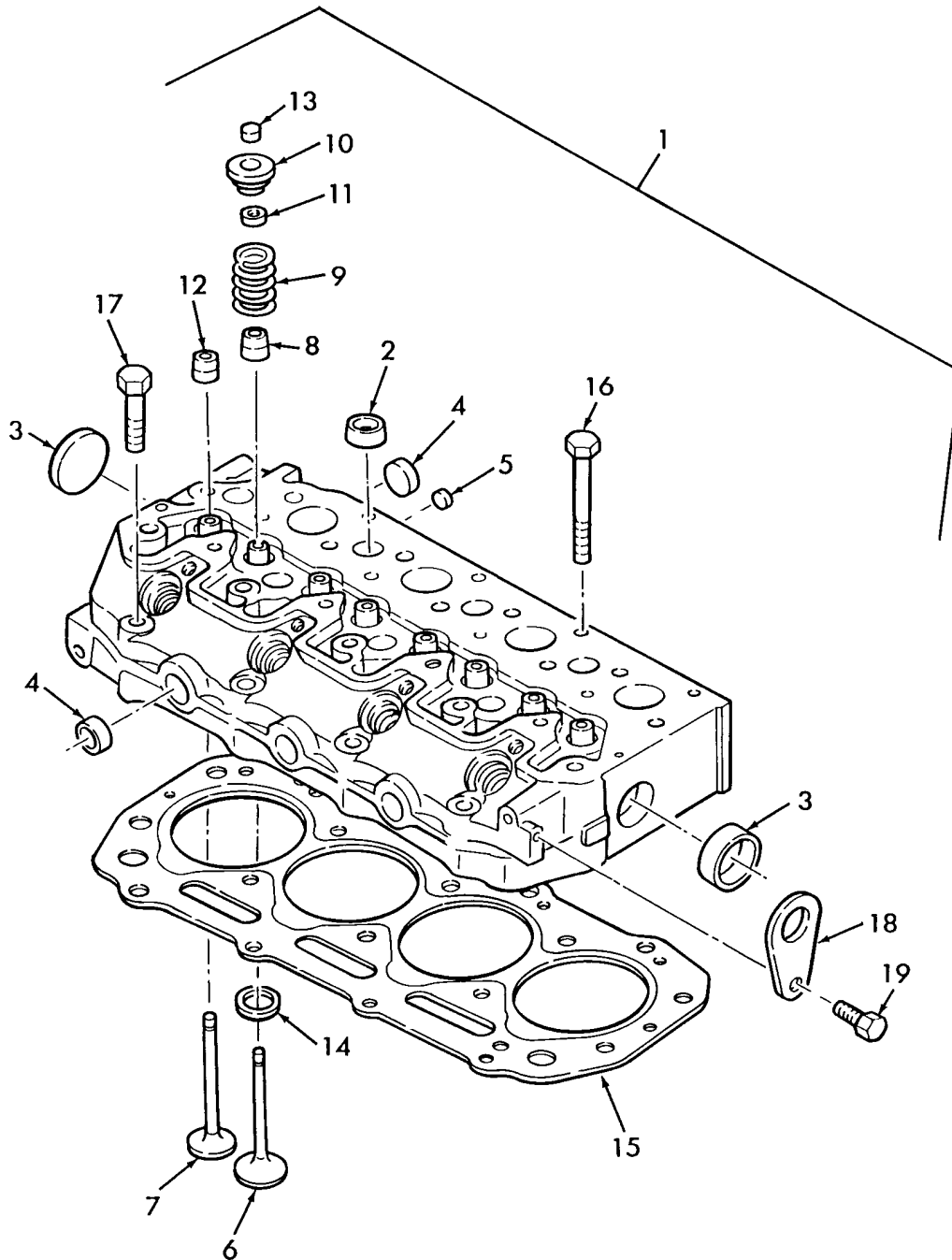
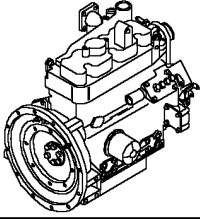
---

# TABLE OF CONTENTS

---

10.15.02	BOOM & BUCKET HAND CONTROL, PEDALS
10.16.01	BOOM & BUCKET HAND CONTROL, HYDROSTATIC LEVERS
10.16.02	BOOM & BUCKET HAND CONTROL, KICK PANEL, LH
10.16.03	BOOM & BUCKET HAND CONTROL, KICK PANEL, RH
10.16.04	BOOM & BUCKET HAND CONTROL, TUNNEL COMPONENTS
10.16.05	PEDALS - MODELS WITH PILOT CONTROL
10.17	TUNNEL COMPONENTS - MODELS WITH PILOT CONTROL
10.19	BOOM & BUCKET HAND CONTROL KIT
10.20.01	MULTI-FUNCTION HANDLE, LH
10.21	HAND CONTROL - TUNNEL COMPONENTS, PILOT CONTROL
10.22	HANDLE, CONTROL, LEFT HAND
10.22.01	HANDLE, CONTROL, RIGHT HAND
10.22.02	HANDLE, LEFT HAND
10.22.03	HANDLES, CONTROL - MODELS WITH PILOT CONTROL
11.01	WHEELS & TIRES
11.01.01	WHEELS AND TIRES
12.01.01	CHASSIS
12.02	COUNTERWEIGHT KIT
12.02.01	COUNTERWEIGHT
18.01	CAB JACK KIT
18.02	TOOLS, THREADED INSERT
19.01	BUCKETS & DIRT TOOTH KIT
19.01.01	BUCKET, CUTTING EDGE KIT
19.02	UTILITY FORK & UNIVERSAL MOUNTING PLATE
19.03	TOOTH BARS
19.04	PALLET FORK & 2 PIECE MOUNTING ASSEMBLY
19.05	PALLET FORK & 1 PIECE MOUNTING ASSEMBLY

CYLINDER HEAD, L170 BSN N7M456357, L170 EU BSN N7M468799  
CULATA DEL CILINDRO, L170 BSN N7M456357, L170 EU BSN N7M468799  
CULASSE, L170 BSN N7M456357, L170 EU BSN N7M468799  
ZYLINDERKOPF, L170 BSN N7M456357, L170 EU BSN N7M468799

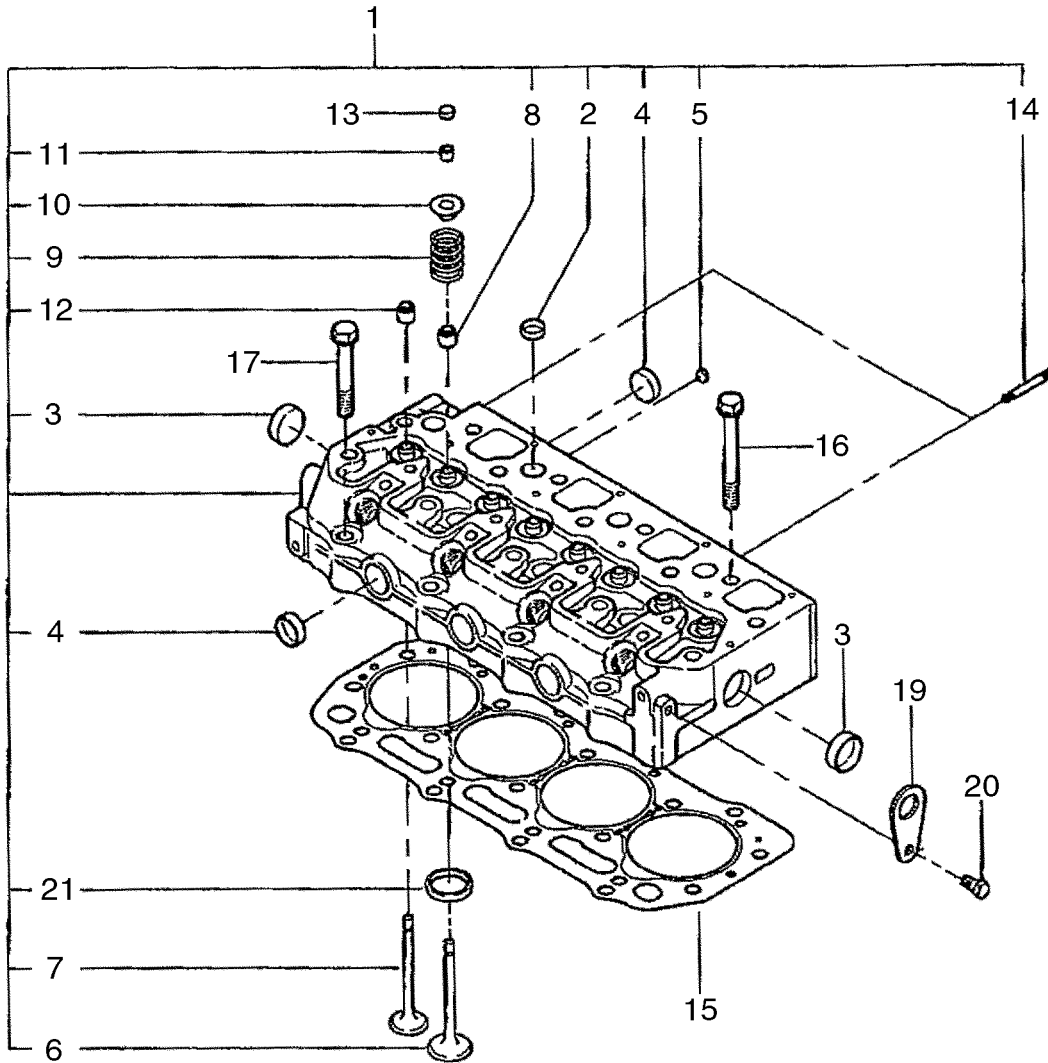


TESTA DEL CILINDRO, L170 BSN N7M456357, L170 EU BSN N7M468799  
 CYLINDERHOVED, L170 BSN N7M456357, L170 EU BSN N7M468799  
 CABEÇA DO CILINDRO, L170 BSN N7M456357, L170 EU BSN N7M468799  
 CILINDERHOOFD, L170 BSN N7M456357, L170 EU BSN N7M468799

R	N	P.N.	MOD	Q	Description Descrizione	Denominacion Beskrivelse	Description Denominação	Bezeichnung Beschrijving	L.C.
					L170 BSN N7M456357, L170 EU BSN N7M468799				
1		<b>SBA111010280</b>		1	CYLINDER HEAD, L170, Incl. Ref. 2 - 14	CULATA	CULASSE	ZYLINDERKOPF	113T
2		<b>SBA064200020</b>		7	TESTA CILINDRI PLUG, Sealing TAPPO	CYLINDERHOVED TAPÓN PROP	CABECA DE MOTOR BOUCHON BUJAO	CYLINDERKOP STOPFEN PLUG	050T
3		<b>SBA064200030</b>		2	PLUG, Sealing TAPPO	TAPÓN PROP	BOUCHON BUJAO	STOPFEN PLUG	050T
4		<b>SBA064200025</b>		6	PLUG, Sealing TAPPO	TAPÓN PROP	BOUCHON BUJAO	STOPFEN PLUG	050T
5		<b>SBA064200010</b>		3	PLUG, Sealing TAPPO	TAPÓN PROP	BOUCHON BUJAO	STOPFEN PLUG	050T
6		<b>SBA120166350</b>		4	VALVE, ENGINE, INLET, STD, Intake	VÁLVULA DE ADMISIÓN	SOUPAPE D'ADMISSION	EINLASSVENTIL, STAND	111V
7		<b>SBA120176360</b>		4	VALVOLA DI ASPIRAZIOI VALVE, ENG EXHAUST, STD, Exhaust	INDSUGNINGSVENTIL	VALVULA DE ADMISSAO	INLAATKLEP	
8		<b>SBA120406070</b>		4	VALVOLA DI SCARICO SEAL, Valve Guide, Intake	UDSTOEDNINGSVENTIL	SOUPAPE D'ESCAPE	AUSLASSVENTIL, STANC	112V
9		<b>SBA198216700</b>		8	ANELLO DI TENUTA SPRING	PAKNINGSRING	ANEL DE VEDACAO	DICHTINGSRING	100M
10		<b>SBA120186080</b>		8	MOLLA RETAINER	FJEDER	MOLA	VEER	109R
11		<b>SBA120226070</b>		16	RITEGNO RETAINER, Cotter	RETENEDOR	RETENEUR	HALTEPLATTE	109R
12		<b>SBA120406050</b>		4	RITEGNO SEAL, Valve Guide, Exhaust	HOLDER	RETENTOR	HOUDER	
13		<b>SBA120216040</b>		8	ANELLO DI TENUTA CAP, If Used	ANILLO DE CIERRE	JOINT	DICHTUNG	132A
13		<b>SBA120216041</b>		8	TAPPO SERBATOIO CAP, If Used	PAKNINGSRING	ANEL DE VEDACAO	DICHTINGSRING	052T
14		<b>SBA110136300</b>		4	TAPPO SERBATOIO VALVE SEAT, Intake	TAPON DEL DEPOSITO	CHAPEAU	ABDECKAPPE	052T
15		<b>SBA111147510</b>		1	SEDE VALVOLA GASKET, CYLINDER HEAD, 1.2mm Thick	TANKDAEKSEL	TAMPAO DE RESERVATI	RESERVOIRDOP	052T
16		<b>SBA111136480</b>		14	SEDE VALVOLA GUARNIZIONE TESTA CI	TANKDAEKSEL	TAMPAO DE RESERVATI	RESERVOIRDOP	052T
17		<b>SBA111136490</b>		4	BOLT, Head	ASIENTO DE VALVULA	SIEGE DE SOUPAPE	VENTILSITZ	074S
18		<b>SBA195816540</b>		2	BULLONE	VENTILSAEDE	SEDE DE VALVULA	KLEPZITTING	
19		<b>SBA011510820</b>		2	BOLT, M8 x 16	JUNTA DE CULATA	JOINT DE CULASSE	ZYLINDERKOPFDICHTUI	129G
				14	BULLONE	TOPPAKNING	JUNTA DA CABECA	CYLINDERKOPDICHTINC	140B
				4	BOLT, Head	TORNILLO	BOULON	SCHRAUBE	140B
				4	BULLONE	SKRUE	PARAFUSO	BOUT	140B
				2	BOLT, Head	TORNILLO	BOULON	SCHRAUBE	140B
				2	BULLONE	SKRUE	PARAFUSO	BOUT	140B
				2	EYE, LIFTING	GAZA	OEILLET	HUBØSE	P783
				2	OCCHIELLO,SOLLEVAM	LØFTEØJE	OLHAL LEVANTAMENTO	EYE, LIFTING	
				2	BOLT, M8 x 16	TORNILLO	BOULON	SCHRAUBE	140B
					BULLONE	SKRUE	PARAFUSO	BOUT	

L170

CYLINDER HEAD, L160 BSN N7M448360, L160 EU BSN N7M462079  
CULATA DEL CILINDRO, L160 BSN N7M448360, L160 EU BSN N7M462079  
CULASSE, L160 BSN N7M448360, L160 EU BSN N7M462079  
ZYLINDERKOPF, L160 BSN N7M448360, L160 EU BSN N7M462079

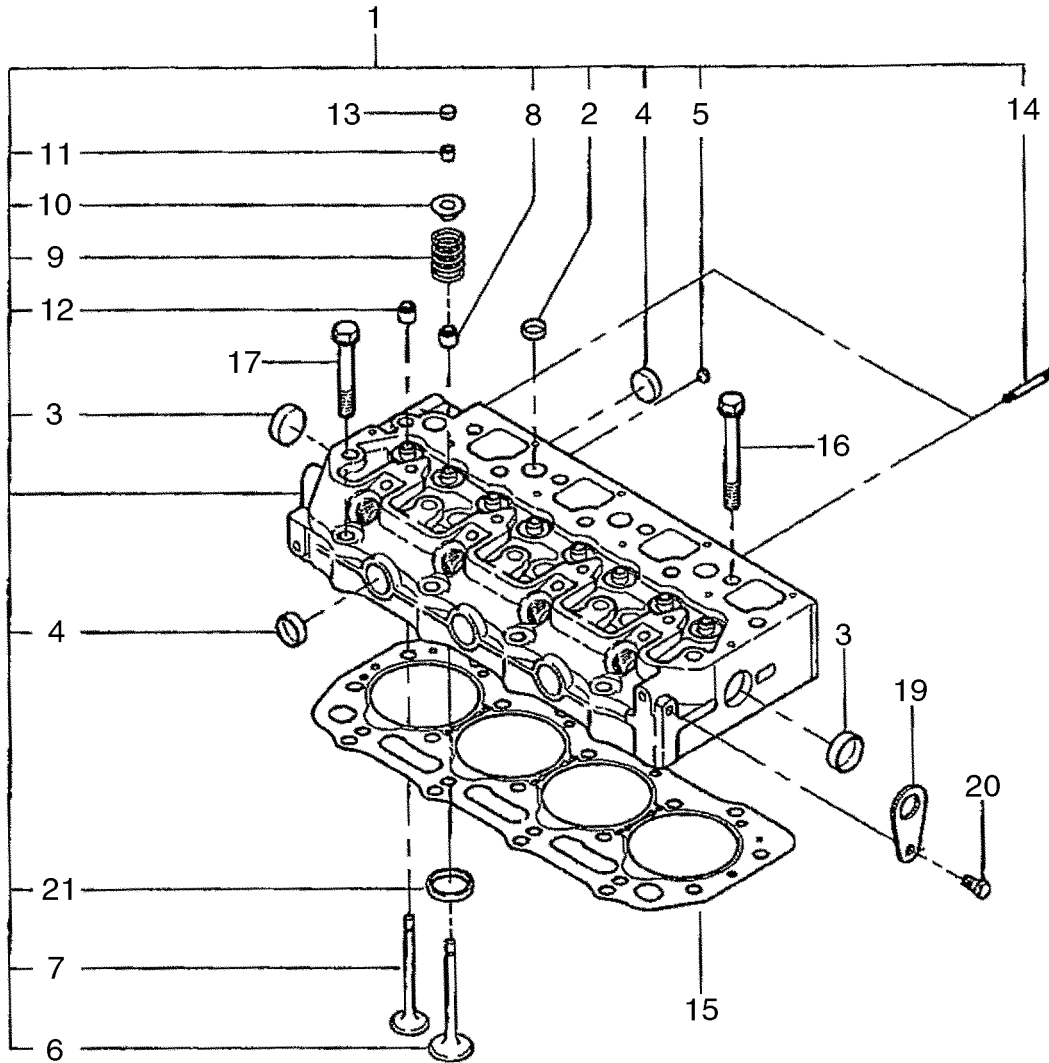


TESTA DEL CILINDRO, L160 BSN N7M448360, L160 EU BSN N7M462079  
 CYLINDERHOVED, L160 BSN N7M448360, L160 EU BSN N7M462079  
 CABEÇA DO CILINDRO, L160 BSN N7M448360, L160 EU BSN N7M462079  
 CILINDERHOOFD, L160 BSN N7M448360, L160 EU BSN N7M462079

R	N	P.N.	MOD	Q	Description Descrizione	Denominacion Beskrivelse	Description Denominação	Bezeichnung Beschrijving	L.C.
L160 BSN N7M448360, L160 EU BSN N7M462079									
1		<b>SBA111017501</b>		1	CYLINDER HEAD, L160 TESTA CILINDRI	CULATA CYLINDERHOVED	CULASSE CABECA DE MOTOR	ZYLINDERKOPF CYLINDERKOP	113T
2		<b>SBA064210018</b>		7	PLUG, Sealing TAPPO	TAPÓN PROP	BOUCHON BUJAO	STOPFEN PLUG	050T
3		<b>SBA064210030</b>		2	PLUG, Sealing TAPPO	TAPÓN PROP	BOUCHON BUJAO	STOPFEN PLUG	050T
4		<b>SBA064210025</b>		6	PLUG, Sealing TAPPO	TAPÓN PROP	BOUCHON BUJAO	STOPFEN PLUG	050T
5		<b>SBA064210010</b>		3	COVER, CAP, Sealing COPRITAPPO	CAPUCHA DE TAPON PROPDÆKSEL	CACHE-BOUCHON TAMPA DE COBERTURA	DECKEL AFSCHERMKAP	293C
6		<b>SBA120166350</b>		4	VALVE, ENGINE, INLET, STD, Intake	VÁLVULA DE ADMISIÓN	SOUPAPE D'ADMISSION	EINLASSVENTIL, STAND	111V
7		<b>SBA120176360</b>		4	VALVE, ENG EXHAUST, STD, Exhaust	INDSUGNINGSVENTIL	VALVULA DE ADMISSAO	INLAATKLEP	
8		<b>SBA120406070</b>		4	VALVOLA DI SCARICO SEAL, Valve Guide, Intake	VALVULA DE ESCAPE ANILLO DE CIERRE	SOUPAPE D'ECHAPPEM JOINT	AUSLASSVENTIL, STAND DICHTUNG	112V 132A
9		<b>SBA198216700</b>		8	ANELLO DI TENUTA SPRING	UDSTOEDNINGSVENTIL RESORTE	VALVULA DE ESCAPE RESSORT	UITLAATKLEP FEDER	
10		<b>SBA120186080</b>		8	MOLLA RETAINER	FJEDER RETENEDOR	MOLA RETENEUR	VEER HALTEPLATTE	100M 109R
11		<b>SBA120226070</b>		16	RITEGNO RETAINER, Cotter	HOLDER RETENEDOR	RETENTOR RETENEUR	HOUDER HALTEPLATTE	109R
12		<b>SBA120406050</b>		4	RITEGNO SEAL, Valve Guide, Exhaust	HOLDER ANILLO DE CIERRE	RETENTOR JOINT	HOUDER DICHTUNG	132A
13		<b>SBA120216040</b>		8	ANELLO DI TENUTA CAP, If Used	PAKNINGSRING TAPON DEL DEPOSITO	ANEL DE VEDACAO CHAPEAU	DICHTINGSRING ABDECKAPPE	052T
13		<b>SBA120216041</b>		8	TAPPO SERBATOIO CAP, If Used	TANKDAEKSEL TAPON DEL DEPOSITO	TAMPAO DE RESERVATI CHAPEAU	RESERVOIRDOP ABDECKAPPE	052T
14		<b>SBA012110860</b>		2	TAPPO SERBATOIO STUD	TANKDAEKSEL PRISIONERO	TAMPAO DE RESERVATI GOUJON	RESERVOIRDOP GEWINDEBOLZEN	210P
15		<b>SBA111147510</b>		1	PRIGIONIERO GASKET, CYLINDER HEAD, 1.2 mm Thick	STOETTEBOLT JUNTA DE CULATA	PERNE JOINT DE CULASSE	TAPEIND ZYLINDERKOPFDICHTUI	129G
15		<b>SBA111147520</b>		1	GUARNIZIONE TESTA CI GASKET, CYLINDER HEAD, 1.3 mm Thick	TOPPAKNING JUNTA DE CULATA	JUNTA DA CABECA JOINT DE CULASSE	CYLINDERKOPDICHTINC ZYLINDERKOPFDICHTUI	129G
16		<b>SBA111136480</b>		14	BOLT, Head BULLONE	TORNILLO SKRUE	BOULON PARAFUSO	SCHRAUBE BOUT	140B
17		<b>SBA111136490</b>		4	BOLT, Head BULLONE	TORNILLO SKRUE	BOULON PARAFUSO	SCHRAUBE BOUT	140B
19		<b>SBA195816540</b>		2	EYE, LIFTING OCCHIELLO,SOLLEVAM	GAZA LØFTEØJE	OEILLET OLHAL LEVANTAMENTO	HUBØSE EYE, LIFTING	P783

L160

CYLINDER HEAD, L160 BSN N7M448360, L160 EU BSN N7M462079  
CULATA DEL CILINDRO, L160 BSN N7M448360, L160 EU BSN N7M462079  
CULASSE, L160 BSN N7M448360, L160 EU BSN N7M462079  
ZYLINDERKOPF, L160 BSN N7M448360, L160 EU BSN N7M462079

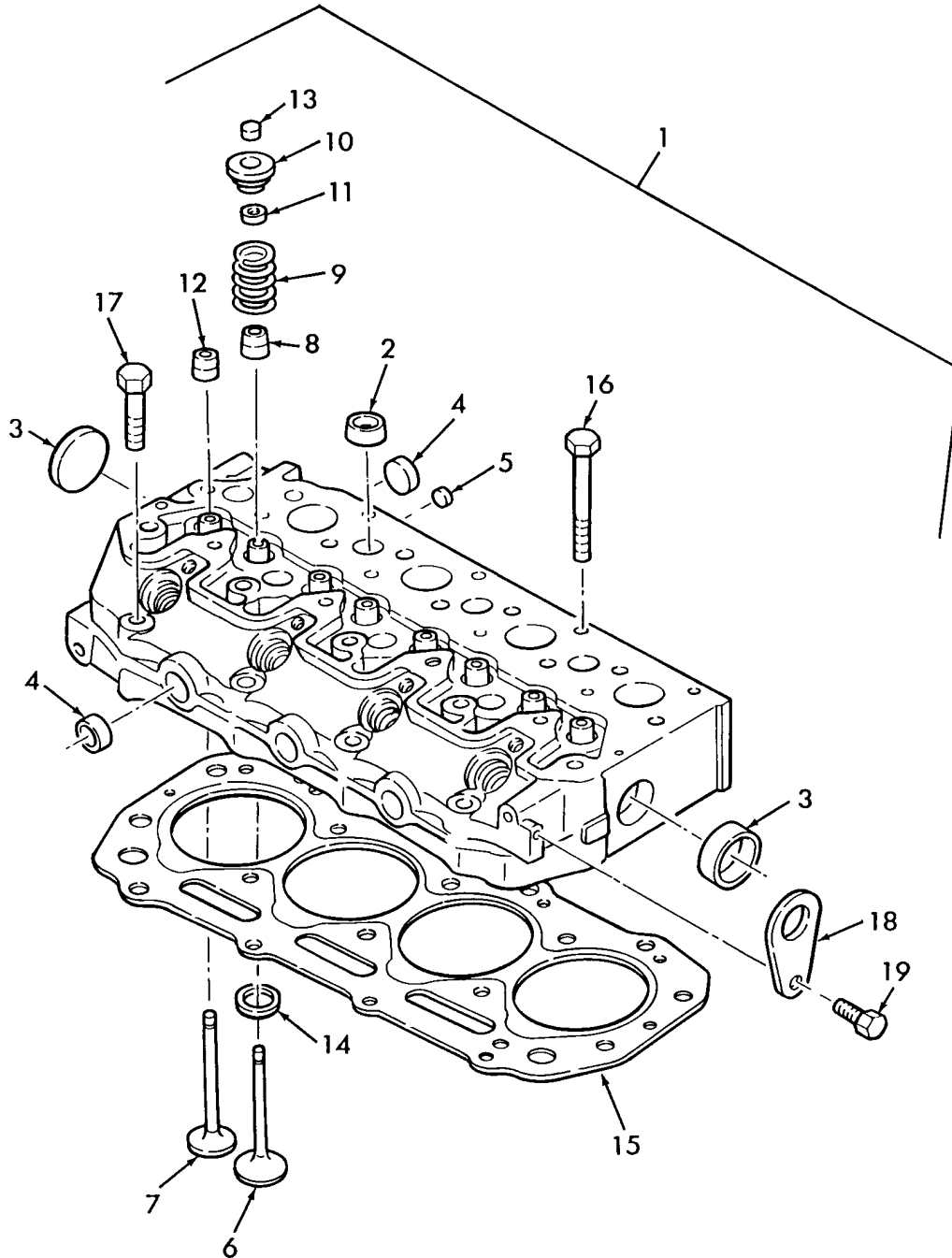
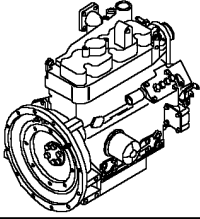


TESTA DEL CILINDRO, L160 BSN N7M448360, L160 EU BSN N7M462079  
CYLINDERHOVED, L160 BSN N7M448360, L160 EU BSN N7M462079  
CABEÇA DO CILINDRO, L160 BSN N7M448360, L160 EU BSN N7M462079  
CILINDERHOOFD, L160 BSN N7M448360, L160 EU BSN N7M462079

R	N	P.N.	MOD	Q	Description Descrizione	Denominacion Beskrivelse	Description Denominação	Bezeichnung Beschrijving	L.C.
20		SBA011510820		2	BOLT, M8 x 16 BULLONE	TORNILLO SKRUE	BOULON PARAFUSO	SCHRAUBE BOUT	140B
21		SBA110136400		4	VALVE SEAT, Intake SEDE VALVOLA	ASIENTO DE VALVULA VENTILSAEDE	SIEGE DE SOUPAPE SEDE DE VALVULA	VENTILSITZ KLEPZITTING	074S

L160

CYLINDER HEAD, L160 ASN N7M448360, L160 EU ASN N7M462079, L170 ASN N7M456357, L170 EU ASN N7M468799  
CULATA DEL CILINDRO, L160 ASN N7M448360, L160 EU ASN N7M462079, L170 ASN N7M456357, L170 EU ASN N7M468799  
CULASSE, L160 ASN N7M448360, L160 EU ASN N7M462079, L170 ASN N7M456357, L170 EU ASN N7M468799  
ZYLINDERKOPF, L160 ASN N7M448360, L160 EU ASN N7M462079, L170 ASN N7M456357, L170 EU ASN N7M468799

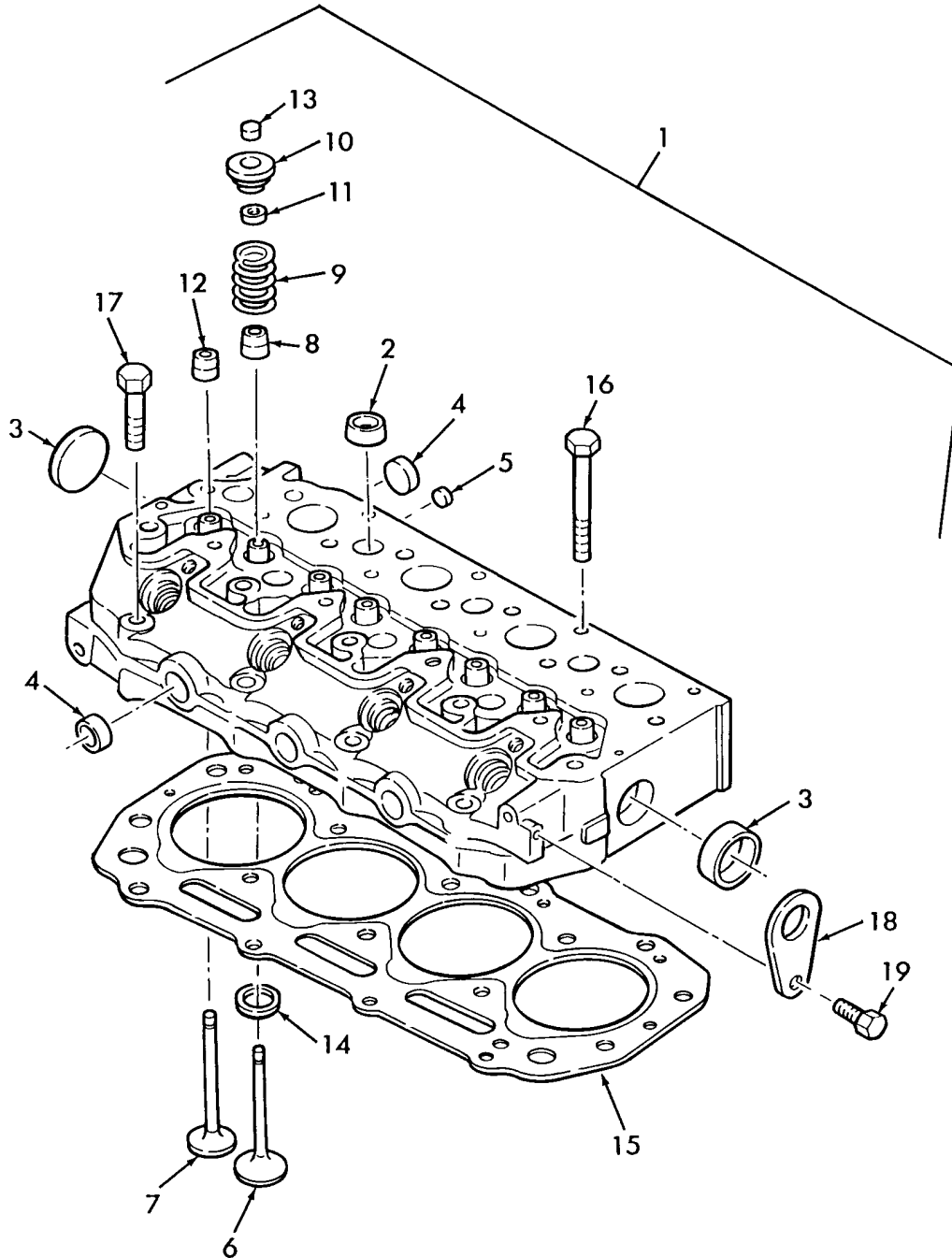
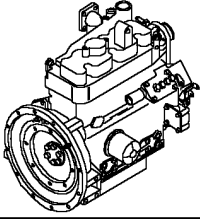


TESTA DEL CILINDRO, L160 ASN N7M448360, L160 EU ASN N7M462079, L170 ASN N7M456357, L170 EU ASN N7M46  
 CYLINDERHOVED, L160 ASN N7M448360, L160 EU ASN N7M462079, L170 ASN N7M456357, L170 EU ASN N7M468799  
 CABEÇA DO CILINDRO, L160 ASN N7M448360, L160 EU ASN N7M462079, L170 ASN N7M456357, L170 EU ASN N7M468  
 CILINDERHOOFD, L160 ASN N7M448360, L160 EU ASN N7M462079, L170 ASN N7M456357, L170 EU ASN N7M468799

R	N	P.N.	MOD	Q	Description Descrizione	Denominacion Beskrivelse	Description Denominação	Bezeichnung Beschrijving	L.C.
L160 ASN N7M448360, L160 EU ASN N7M462079, L170 ASN N7M456357, L170 EU ASN N7M468799									
1		<b>SBA111011400</b>		1	CYLINDER HEAD, Cylinder Head; L160, Incl. Ref. 2 - 14	CULATA	CULASSE	ZYLINDERKOPF	113T
					TESTA CILINDRI	CYLINDERHOVED	CABECA DE MOTOR	CYLINDERKOP	
1		<b>SBA111011380</b>		1	CYLINDER HEAD, Cylinder Head; L170, Incl. Ref. 2 - 14	CULATA	CULASSE	ZYLINDERKOPF	113T
					TESTA CILINDRI	CYLINDERHOVED	CABECA DE MOTOR	CYLINDERKOP	
2		<b>SBA064200018</b>		7	CAP, Sealing	TAPON DEL DEPOSITO	CHAPEAU	ABDECKAPPE	052T
					TAPPO SERBATOIO	TANKDAEKSEL	TAMPAO DE RESERVATI	RESERVOIRDOP	
3		<b>SBA064200030</b>		2	PLUG, Sealing	TAPÓN	BOUCHON	STOPFEN	050T
					TAPPO	PROP	BUJAO	PLUG	
4		<b>SBA064200025</b>		6	PLUG, Sealing	TAPÓN	BOUCHON	STOPFEN	050T
					TAPPO	PROP	BUJAO	PLUG	
5		<b>SBA064200010</b>		3	PLUG, Sealing	TAPÓN	BOUCHON	STOPFEN	050T
					TAPPO	PROP	BUJAO	PLUG	
6		<b>SBA120166350</b>		4	VALVE, ENGINE, INLET, STD	VÁLVULA DE ADMISIÓN	SOUPAPE D'ADMISSION	EINLASSVENTIL, STAND	111V
					VALVOLA DI ASPIRAZIOI	INDSUGNINGSVENTIL	VALVULA DE ADMISSAO	INLAATKLEP	
7		<b>SBA120176360</b>		4	VALVE, ENG EXHAUST, STD	VALVULA DE ESCAPE	SOUPAPE D'ECHAPPEM	AUSLASSVENTIL, STAND	112V
					VALVOLA DI SCARICO	UDSTOEDNINGSVENTIL	VALVULA DE ESCAPE	UITLAATKLEP	
8		<b>SBA120406070</b>		4	SEAL, Valve Guide, Intake	ANILLO DE CIERRE	JOINT	DICHTUNG	132A
					ANELLO DI TENUTA	PAKNINGSRING	ANEL DE VEDACAO	DICHTINGSRING	
9		<b>SBA198216700</b>		8	SPRING	RESSORTE	RESSORT	FEDER	100M
					MOLLA	FJEDER	MOLA	VEER	
10		<b>SBA120186080</b>		8	RETAINER	RETENEDOR	RETENEUR	HALTEPLATTE	109R
					RITEGNO	HOLDER	RETENTOR	HOUDER	
11		<b>SBA120226070</b>		16	RETAINER, Cotter	RETENEDOR	RETENEUR	HALTEPLATTE	109R
					RITEGNO	HOLDER	RETENTOR	HOUDER	
12		<b>SBA120406050</b>		4	SEAL, Valve Guide, Exhaust	ANILLO DE CIERRE	JOINT	DICHTUNG	132A
					ANELLO DI TENUTA	PAKNINGSRING	ANEL DE VEDACAO	DICHTINGSRING	
13		<b>SBA120216040</b>		8	CAP, If Used	TAPON DEL DEPOSITO	CHAPEAU	ABDECKAPPE	052T
					TAPPO SERBATOIO	TANKDAEKSEL	TAMPAO DE RESERVATI	RESERVOIRDOP	
13		<b>SBA120216041</b>		8	CAP, If Used	TAPON DEL DEPOSITO	CHAPEAU	ABDECKAPPE	052T
					TAPPO SERBATOIO	TANKDAEKSEL	TAMPAO DE RESERVATI	RESERVOIRDOP	
14		<b>SBA110136300</b>		4	VALVE SEAT, Intake	ASIENTO DE VALVULA	SIEGE DE SOUPAPE	VENTILSITZ	074S
					SEDE VALVOLA	VENTILSAEDE	SEDE DE VALVULA	KLEPZITTING	
15		<b>SBA111147520</b>		1	GASKET, CYLINDER HEAD, 1.3mm Thick	JUNTA DE CULATA	JOINT DE CULASSE	ZYLINDERKOPFDICHTUI	129G
					GUARNIZIONE TESTA CI	TOPPAKNING	JUNTA DA CABECA	CYLINDERKOPDICHTINC	
15		<b>SBA111147510</b>		1	GASKET, CYLINDER HEAD, 1.2mm Thick	JUNTA DE CULATA	JOINT DE CULASSE	ZYLINDERKOPFDICHTUI	129G
					GUARNIZIONE TESTA CI	TOPPAKNING	JUNTA DA CABECA	CYLINDERKOPDICHTINC	
16		<b>SBA111136480</b>		14	BOLT, Head	TORNILLO	BOULON	SCHRAUBE	140B
					BULLONE	SKRUE	PARAFUSO	BOUT	

**L160 L170**

CYLINDER HEAD, L160 ASN N7M448360, L160 EU ASN N7M462079, L170 ASN N7M456357, L170 EU ASN N7M468799  
CULATA DEL CILINDRO, L160 ASN N7M448360, L160 EU ASN N7M462079, L170 ASN N7M456357, L170 EU ASN N7M468799  
CULASSE, L160 ASN N7M448360, L160 EU ASN N7M462079, L170 ASN N7M456357, L170 EU ASN N7M468799  
ZYLINDERKOPF, L160 ASN N7M448360, L160 EU ASN N7M462079, L170 ASN N7M456357, L170 EU ASN N7M468799



TESTA DEL CILINDRO, L160 ASN N7M448360, L160 EU ASN N7M462079, L170 ASN N7M456357, L170 EU ASN N7M46  
 CYLINDERHOVED, L160 ASN N7M448360, L160 EU ASN N7M462079, L170 ASN N7M456357, L170 EU ASN N7M468799  
 CABEÇA DO CILINDRO, L160 ASN N7M448360, L160 EU ASN N7M462079, L170 ASN N7M456357, L170 EU ASN N7M468  
 CILINDERHOOFD, L160 ASN N7M448360, L160 EU ASN N7M462079, L170 ASN N7M456357, L170 EU ASN N7M468799

R	N	P.N.	MOD	Q	Description Descrizione	Denominacion Beskrivelse	Description Denominação	Bezeichnung Beschrijving	L.C.
17		<b>SBA111136490</b>		4	BOLT, Head BULLONE	TORNILLO SKRUE	BOULON PARAFUSO	SCHRAUBE BOUT	140B
18		<b>SBA195816370</b>		2	HANGER, Hanger; L160 GANCIO	SUSPENSOR STROP	ATTACHEUR ICADOR	AUFHÄNGUNG HANGER	4140
18		<b>SBA195816200</b>		2	HANGER, Hanger; L170 GANCIO	SUSPENSOR STROP	ATTACHEUR ICADOR	AUFHÄNGUNG HANGER	4140
19		<b>SBA011510816</b>		2	BOLT, M8 x 16 BULLONE	TORNILLO SKRUE	BOULON PARAFUSO	SCHRAUBE BOUT	140B
20		<b>SBA198487901</b>		1	CONNECTION, L170 CONNETTORE	TERMINAL CONNECTION	CONNEXION CONECTOR	VERBINDUNG CONNECTION	P154

L160 L170



**Suggest:**

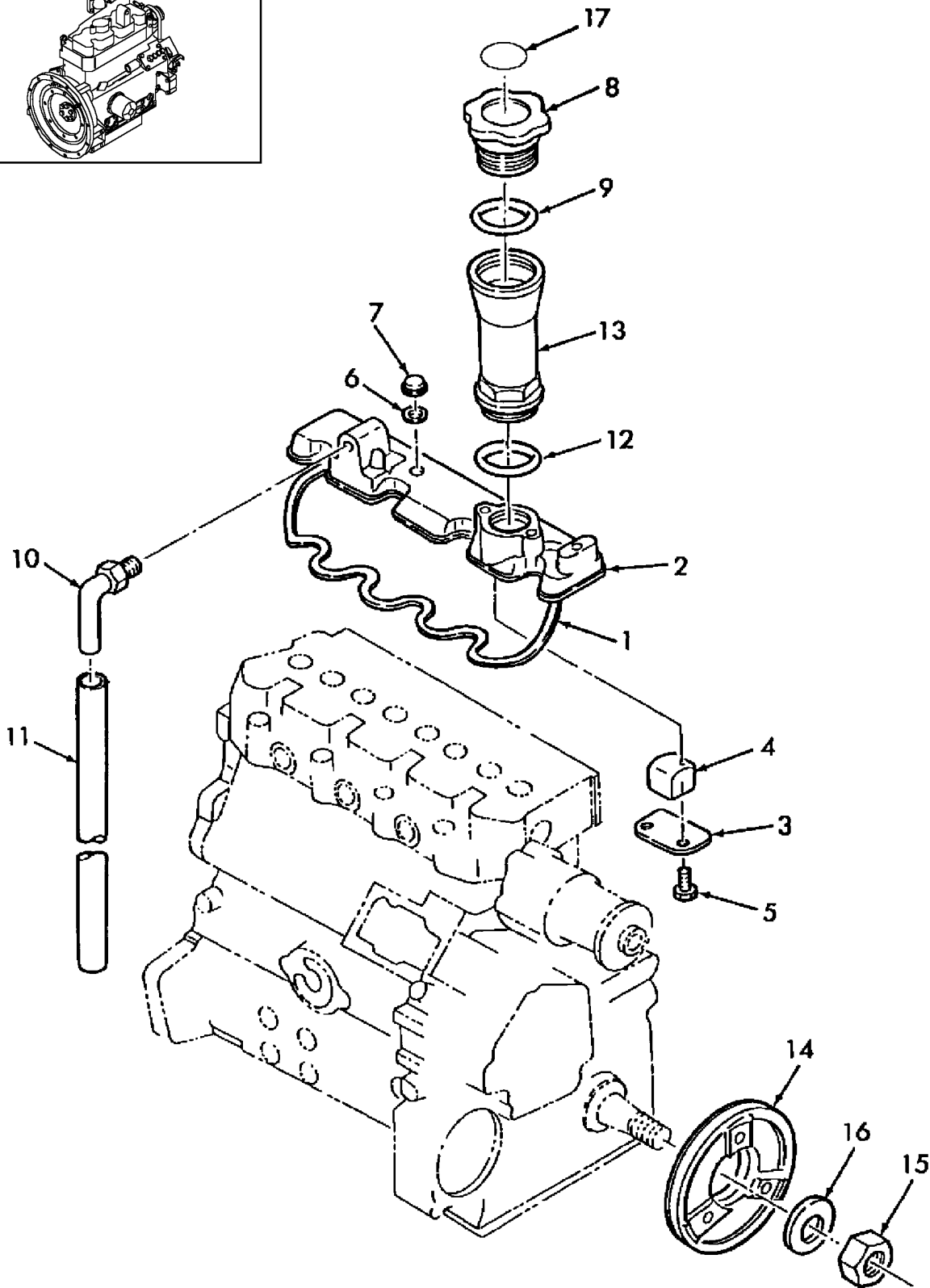
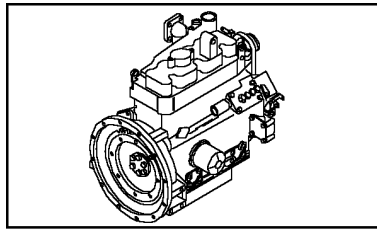
**For more complete manuals. Please go to the home page.**

**<https://www.ebooklibonline.com>**

**If the above button click is invalid. Please download this document first, and then click the above link to download the complete manual.**

**Thank you so much for reading**

VALVE COVER & CRANKSHAFT PULLEY, L170 BSN N7M456357, L170 EU BSN N7M468799  
CUBIERTA DEL CABEZAL Y POLEA DEL CIGÜEÑAL, L170 BSN N7M456357, L170 EU BSN N7M468799  
CACHE-CULBUTEURS, POULIE DE VILEBREQUIN, L170 BSN N7M456357, L170 EU BSN N7M468799  
ZYLINDERKOPFABDECKUNG, KURBELWELLENRIEMENSCHLEIBE, L170 BSN N7M456357, L170 EU BSN N7M468799



COPERCHIO DELLA TESTA, PULEGGIA ALBERO A GOMITI, L170 BSN N7M456357, L170 EU BSN N7M468799  
 DÆKSEL TIL TOPSTYKKE, REMSKIVE PÅ KRUMTAPAKSEL, L170 BSN N7M456357, L170 EU BSN N7M468799  
 COBERTURA DO CABEÇOTE, POLIA DO VIRABREQUIM, L170 BSN N7M456357, L170 EU BSN N7M468799  
 KOPAFDEKKING, KRUKASSCHIIF, L170 BSN N7M456357, L170 EU BSN N7M468799

R	N	P.N.	MOD	Q	Description Descrizione	Denominacion Beskrivelse	Description Denominação	Bezeichnung Beschrijving	L.C.
L170 BSN N7M456357, L170 EU BSN N7M468799									
1		<b>SBA052109072</b>		1	O-RING ANELLO TOROIDALE	JUNTA HERMETICA O-RING	JOINT THORIQUE O-RING	O-RING O-RING	055A
2		<b>SBA111026150</b>		1	COVER, VALVE, Head, Incl. Ref. 3 - 5, 10 COPERCHIO, VALVOLA	CUBRE VÁLVULA VENTILDÆKSEL	CACHE-CULBUTEURS TAMPA VALVULA	ZYLINDERKOPFHAUBE COVER, VALVE	P889
3		<b>SBA110666050</b>		1	DEFLECTOR, Oil DEFLETTORE	DEFLECTOR AFLEDEPLADE	DEFLECTEUR DEFLECTOR	UMLENKBLECH VERDEELPLAAT	020D
4		<b>SBA110666060</b>		1	SCREEN, FILTER VAGLIO, FILTRO	REJILLA FILTERSI	TAMIS-FILTRE FILTRO TELA	FILTERSIEB SCHEG	7440
5		<b>SBA011310612</b>		2	SCREW, M6 x 12 VITE	TORNILLO SKRUE	VIS PARAFUSO	SCHRAUBE SCHROEF	040V
6		<b>SBA131996200</b>		4	GASKET GUARNIZIONE	JUNTA HERMETICA PAKNING	JOINT JUNTA	DICHTUNG, FLACH DICHTINGSSTUK	123G
7		<b>SBA024600010</b>		4	NUT, Cap DADO	TUERCA MOETRIK	ECROU PORCA	MUTTER MOER	010D
8		<b>SBA198436010</b>		1	CAP, FILLER TAPPO DI RIEMPIMENTO	TAPA DE DEPOSITO DÆKSEL PÅ FYLDER	BOUCHON DE REMPL. TAMPA RESERVATORIO	EINFÜLLVERSCHLUSS CAP, FILLER	P676
9		<b>SBA052100400</b>		1	O-RING ANELLO TOROIDALE	JUNTA HERMETICA O-RING	JOINT THORIQUE O-RING	O-RING O-RING	055A
10		<b>SBA140986581</b>		1	ELBOW GOMITO	CODO VINKELROER	COUDE JOELHO	KNIESTUECK ELLEBOOG	085G
11		<b>SBA068209179</b>		1	HOSE MANICOTTO FLESSIBILE	MANGA SLANGE	FLEXIBLE TUBO FLEXIVEL	SCHLAUCH FLEXIBELE BUIS	030M
12		<b>SBA052100420</b>		1	O-RING ANELLO TOROIDALE	JUNTA HERMETICA O-RING	JOINT THORIQUE O-RING	O-RING O-RING	055A
13		<b>SBA110466031</b>		1	PIPE TUBO	CUELLO DE CARGA PAAFYLDNINGSSSTUDS	TUYAU TUBO DE ENCHIMENTO	ROHR OPVULPIJP	200T
14		<b>SBA115396860</b>		1	PULLEY, Crankshaft PULEGGIA	POLEA REMSKIVE	POULIE POLIE	RILLENSCHEIBE RIEMSCHIIF	230P
15		<b>SBA020109086</b>		1	NUT DADO	TUERCA MOETRIK	ECROU PORCA	MUTTER MOER	010D
16		<b>86511328</b>		1	WASHER, M24 x 34 x 4, If Used ROSETTA PIANA	ARANDELA FLADSKIVE	RONDELLE ANILHA	UNTERLEGSCHIEBE SLUITRING	131R
17		<b>SBA190297900</b>		1	DECAL DECALCOMANIA	CALCOMANIA TRANSFER	DECALCOMANIE DECALCOMANIA	TORSIONSSTAB DECAL	012D

L170

**<https://www.ebooklibonline.com>**

Hello dear friend!

Thank you very much for reading.

Enter the link into your browser.

The full manual is available for immediate download.

**<https://www.ebooklibonline.com>**