



---

# PARTS CATALOG

---

## SKID STEER

---

L140

L150

---



BD05M006

### TABLE OF CONTENTS

- General Information
- Section 2 – Engine
- Section 3 – Fuel System
- Section 4 – Electrical System
- Section 5 – Tracks / Steering
- Section 6 – Power train
- Section 7 – Brakes
- Section 8 – Hydraulics
- Section 9 – Chassis/Attachments
- Index

---

# TABLE OF CONTENTS

---

01.01		ENGINE - L150 BSN N7M466068, L150 EU BSN N7M461810
01.01	01	ENGINE, L150 - L150 ASN N7M466068, L150 EU ASN N7M461810
01.02		CYLINDER BLOCK - L150 BSN N7M466068, L150 EU BSN N7M461810
01.02	01	CYLINDER BLOCK, L150 - L150 ASN N7M466068, L150 EU ASN N7M461810
01.02.01		BLOCK HEATER KIT
01.03		CYLINDER HEAD - L150 BSN N7M466068, L150 EU BSN N7M461810
01.03	01	CYLINDER HEAD, L150 - L150 ASN N7M466068, L150 EU ASN N7M461810
01.04		VALVE COVER
01.05		ROCKER ARMS
01.06		CAMSHAFT
01.07		CRANKSHAFT & PISTONS
01.08		INTAKE MANIFOLD
01.09		EXHAUST MANIFOLD
01.10		TIMING GEAR CASE, GOVERNOR - L150 BSN N7M466068, L150 EU BSN N7M461810
01.10	01	TIMING GEAR CASE, GOVERNOR, L150 - L150 ASN N7M466068, L150 EU ASN N7M461810
01.11		OIL PAN & DIPSTICK
01.12		OIL PUMP & SUCTION FILTER - L150 BSN N7M466068, L150 EU BSN N7M461810
01.12	01	OIL PUMP & SUCTION FILTER, L150 - L150 ASN N7M466068, L150 EU ASN N7M461810
01.13		FUEL INJECTION SYSTEM
01.14		INJECTOR
01.15		WATER PUMP & RELATED PARTS
02.01		MOUNTS & TRANSMISSION AREA - L150 BSN N7M466068, L150 EU BSN N7M461810
02.01.01		MOUNTS & TRANSMISSION - L150 ASN N7M466068, L150 EU ASN N7M461810
02.02		FLYWHEEL, BELL HOUSING & STARTER
02.03		STARTER
02.04		ALTERNATOR
02.04.01		ALTERNATOR
02.05		FAN, MUFFLER & AIR CLEANER
02.06		AIR CLEANER - DONALDSON
02.07		MUFFLER OPTIONS
02.08		RADIATOR - COOLER
02.09		FUEL TANK
03.01		FINAL DRIVE
03.02		TRANSMISSION CENTERING
03.03		HYDROSTATIC PUMP & MOTOR
03.03.01		HYDROSTATIC PUMP & MOTOR - MODELS WITH SAHR BRAKES
03.04.01		HYDROSTATIC CASE DRAIN
03.05		PISTON PUMP, FRONT
03.06		PISTON PUMP, REAR
03.07		HYDROSTATIC MOTOR
03.08.01		BRAKES
06.01.01		ELECTRIC, MAIN
06.01.01	02	ELECTRIC, MAIN
06.01.01	03	OPTIONAL ADVANCED INSTRUMENT CLUSTER
06.01.01	04	DIAGNOSTIC PLUG
06.01.02		ELECTRIC POWER KIT
06.02		ELECTRIC, CAB
06.02.01		CAB ELECTRIC - FLASHERS
06.02.02		CAB ELECTRIC, MAIN HARNESS AND FUSE BLOCK - DELUXE CAB
06.02.03		CAB ELECTRICAL, RIGHT HAND CONSOLE - DELUXE CAB
06.02.04		CAB ELECTRICAL, LEFT HAND CONSOLE - DELUXE CAB
06.02.05		CAB ELECTRICAL, LIGHTS - DELUXE CAB
06.02.06		CAB ELECTRICAL - TURN SIGNALS, DELUXE CAB

---

# TABLE OF CONTENTS

---

06.03.01	02	HORN & TURN SIGNAL
06.03.01	03	Handle - DELUXE CAB
06.03.02		HORN - DELUXE CAB
06.03.03		4-WAY FLASHERS
06.03.04		BEACON KIT, DELUXE CAB
06.03.05		BEACON KIT & MISCELLANEOUS PARTS
06.03.06		ROAD & WORK LIGHT KIT
06.03.08		REAR LIGHT BAR, ON ROAD
06.03.09		REAR LIGHT ASSEMBLY - DELUXE CAB
06.03.10		FRONT HEADLAMP - DELUXE CAB
06.03.11		FRONT AND REAR WORK LIGHTS - DELUXE CAB
06.04		CHASSIS ELECTRIC
06.04	01	CHASSIS ELECTRIC, DELUXE CAB
06.04	02	CHASSIS ELECTRIC, DELUXE CAB
06.04	03	BATTERY
06.04	04	BATTERY - DELUXE CAB
06.04.01		BACK-UP ALARM KIT
06.04.01	01	BACK UP ALARM - DELUXE CAB
06.05		ENGINE ELECTRIC
06.05.01		ENGINE ELECTRIC
06.05.02		HEATER CONTROLS
07.01.01		BUCKET HYDRAULICS
07.01.03		BOOM HYDRAULICS
07.01.05		CONNECT UNDER PRESSURE COUPLERS
07.02.01		BUCKET CYLINDER
07.02.02		BOOM CYLINDER, L140
07.02.03		BOOM CYLINDER, L150
07.03		HYDRAULIC GEAR PUMP
07.04.01		CONTROL VALVE HYDRAULICS
07.04.02		CONTROL VALVE, HAND & FOOT CONTROLS
07.05		HYDRAULIC RESERVOIR, FILTER & OIL COOLER
07.09.02		BUCKET CIRCUIT CHECK VALVE
08.01.01		REAR HOOD
08.01.02		REAR HOOD
08.02		FENDERS
08.03		SLOW MOVING VEHICLE EMBLEM KIT
08.04		DECALS - MODEL (L140)
08.04.01		DECALS - MODEL (L150)
08.04.02		DECALS
08.04.03		DECALS
08.04.04		DECALS
08.05		DECALS - BOOM AND LOAD (L150)
08.05.0		DECALS - 35TH ANNIVERSARY
08.05.01		DECALS - DELUXE CAB
08.05.02		DECALS - DELUXE CAB
08.05.03		DECALS - DELUXE CAB
08.05.05		DECALS - DELUXE CAB
08.05.06		DECALS
08.06		ACOUSTICAL EQUIPMENT
08.06.01		ACOUSTICAL EQUIPMENT (IF USED)
09.01		BOOM
09.02.01		BOOM, ON ROAD EUROPE - DELUXE CAB
09.03		BOOM LOCK
09.04		MOUNTING PLATE
09.06		CLEARANCE KIT

**<https://www.ebooklibonline.com>**

Hello dear friend!

Thank you very much for reading.

Enter the link into your browser.

The full manual is available for immediate download.

**<https://www.ebooklibonline.com>**

---

# TABLE OF CONTENTS

---

10.01		CAB
10.01.01		CAB
10.01.02		CAB - DELUXE CAB
10.01.03		CAB - WINDOWS AND HEADLINER, DELUXE CAB
10.01.04		CAB - INTERIOR TRIM, DELUXE CAB
10.01.05		FIRE EXTINGUISHER, MIRROR & FLOOR PLATE KITS
10.02.02		HEADLINER
10.02.04		HEADLINER, CAB HEATER, NEW STYLE (6/02-)
10.02.05		CAB - HEADLINER, DELUXE CAB
10.02.06		CAB - HEADLINER WITH HEAT, DELUXE CAB
10.02.07		CAB - TOP WINDOW, DELUXE CAB
10.03	01	CAB HEATER
10.03.01		HEATER KIT
10.03.02		CAB - HEATER SYSTEM, DELUXE CAB
10.03.03		CAB - HEATER SYSTEM, DELUXE CAB
10.04		THRESHOLD & CAB WINDOWS (EUROPE)
10.05.01		CAB ENCLOSURE KIT, DOOR FRAME & WINDOWS
10.05.02		CAB ENCLOSURE KIT, DOOR ATTACHING & WIRING
10.05.03		CAB ENCLOSURE KIT, DOOR & WIPER MOTOR
10.06		SIDE WINDOWS
10.06.01		CAB - SIDE WINDOW, LEFT HAND, DELUXE CAB
10.06.01	01	CAB - SIDE WINDOW, LEFT HAND, DELUXE CAB
10.06.01	02	CAB - SIDE WINDOW, LEFT HAND, DELUXE CAB
10.06.01	03	CAB - SIDE WINDOW, LEFT HAND ASSY, DELUXE CAB
10.06.02		CAB - SIDE WINDOW, RIGHT HAND, DELUXE CAB
10.06.02	01	CAB - SIDE WINDOW, RIGHT HAND, DELUXE CAB
10.06.02	02	CAB - SIDE WINDOW, RIGHT HAND, DELUXE CAB
10.06.02	03	CAB - SIDE WINDOW, RIGHT HAND ASSY, DELUXE CAB
10.07.01		CAB - DOOR AND FRAME, DELUXE CAB
10.07.02		CAB - DOOR, DELUXE CAB
10.07.03		CAB - DOOR FRAME, DELUXE CAB
10.07.04		CAB - DOOR KIT, DELUXE CAB
10.07.05		CAB - DEMOLITION DOOR KIT, DELUXE CAB
10.07.07		CAB - DEMOLITION DOOR, DELUXE CAB
10.07.08		DOOR - SWITCH ASSY, IF USED
10.07.09		CAB - WASHER FLUID TANK, DELUXE CAB
10.08		DEMOLITION DOOR KIT (DOOR 86593213)
10.08.01		DEMOLITION DOOR KIT (DOORS 86506544, 87052933)
10.08.01	2	CAB DOOR - GLASS
10.08.01	3	DEMOLITION DOOR- FRONT SHEET (USE WITH DOORS 86506544, 87052933)
10.09		THROTTLE CONTROL
10.09.01		THROTTLE CONTROL, DELUXE CAB
10.10		FOREARM REST
10.10.01		ARMREST - DELUXE CAB
10.11.01		SEAT, STANDARD
10.11.02		SEAT, SUSPENSION
10.11.03		SEAT BELT, 3 IN. COMBINATION - IF USED
10.11.04		ARM PAD & ARMREST KIT
10.12.01		BOOM & BUCKET FOOT CONTROL, HYDROSTATIC LEVERS
10.12.02		BOOM & BUCKET FOOT CONTROL, KICK PANEL, LH
10.12.03		BOOM & BUCKET FOOT CONTROL, KICK PANEL, RH
10.12.04		BOOM AND BUCKET FOOT CONTROL, HYDROSTATIC LEVERS - DELUXE CAB
10.12.05		BOOM AND BUCKET CONTROL, KICK PANEL RH - DELUXE CAB
10.12.06		BOOM & BUCKET FOOT CONTROL, KICK PANEL, LH - DELUXE CAB
10.15.01		BOOM & BUCKET FOOT CONTROL, PEDALS

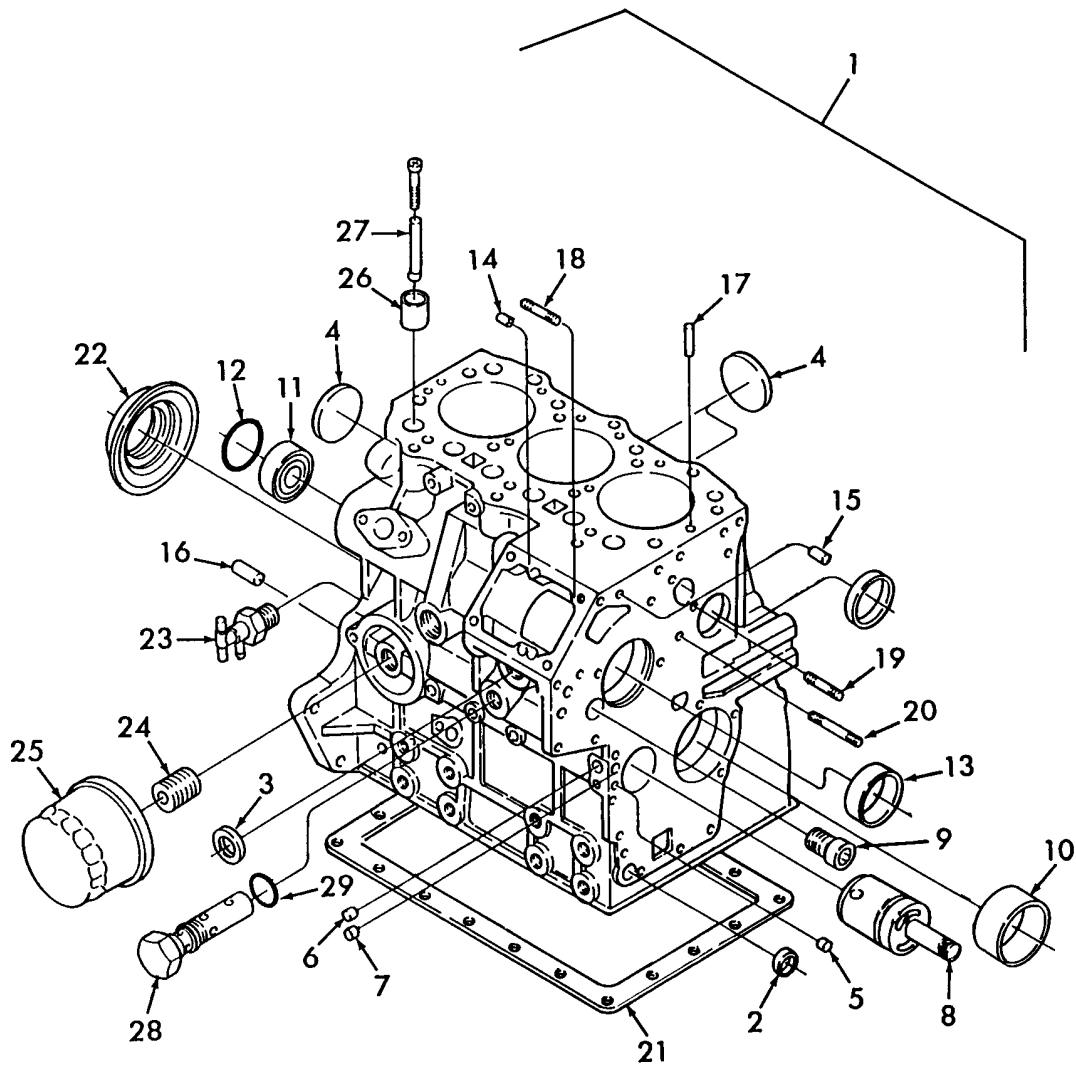
---

# TABLE OF CONTENTS

---

10.15.02	BOOM & BUCKET HAND CONTROL, PEDALS
10.15.03	BOOM & BUCKET HAND CONTROL, PEDALS; IF USED
10.16.01	BOOM & BUCKET HAND CONTROL, HYDROSTATIC LEVERS
10.16.02	BOOM & BUCKET HAND CONTROL, KICK PANEL, LH
10.16.03	BOOM & BUCKET HAND CONTROL, KICK PANEL, RH
10.16.04	BOOM & BUCKET HAND CONTROL, TUNNEL COMPONENTS
10.19	BOOM & BUCKET CONTROL, HANDLE CONTROL KIT
11.01	WHEELS & TIRES
12.01.01	CHASSIS
12.02	COUNTERWEIGHT KIT
12.02.01	COUNTERWEIGHT
18.01	CAB JACK KIT
18.02	TOOLS, THREADED INSERT
19.01	BUCKETS & DIRT TOOTH KIT
19.01.01	BUCKET, CUTTING EDGE KIT
19.02	UTILITY FORK & UNIVERSAL MOUNTING PLATE
19.03	TOOTH BARS
19.04	PALLET FORK & 2 PIECE MOUNTING ASSEMBLY
19.05	PALLET FORK & 1 PIECE MOUNTING ASSEMBLY

CYLINDER BLOCK - L150 BSN N7M466068, L150 EU BSN N7M461810  
BLOQUE DE CILINDROS - L150 BSN N7M466068, L150 EU BSN N7M461810  
BLOC MOTEUR - L150 BSN N7M466068, L150 EU BSN N7M461810  
KURBELGEHÄUSE - L150 BSN N7M466068, L150 EU BSN N7M461810

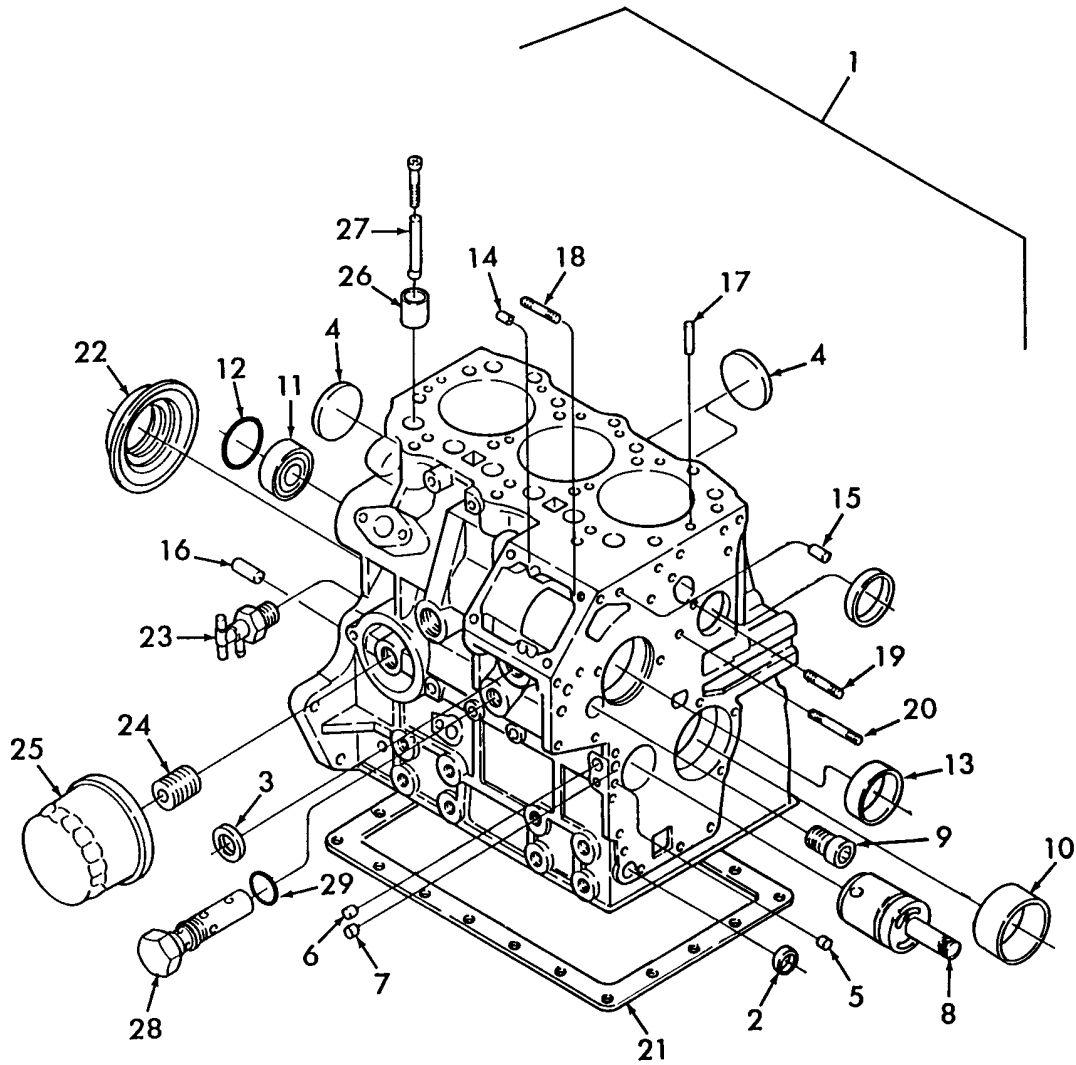


**BASAMENTO MOTORE - L150 BSN N7M466068, L150 EU BSN N7M461810**  
**KRUMTAPHUS - L150 BSN N7M466068, L150 EU BSN N7M461810**  
**BLOCO DE MOTOR - L150 BSN N7M466068, L150 EU BSN N7M461810**  
**MOTORBLOK - L150 BSN N7M466068, L150 EU BSN N7M461810**

R	N	P.N.	MOD	Q	Description Descrizione	Denominacion Beskrivelse	Description Denominação	Bezeichnung Beschrijving	L.C.
L150 BSN N7M466068, L150 EU BSN N7M461810									
1		<b>SBA110107363</b>		1	BLOCK, Incl. Ref. 2 - 20; Before Engine S/N: LS140, 76992; LS150, 74975	BLOQUE MOTOR	BLOC	KLOTZ	074B
					BLOCCHETTO	STOPKLODS	BLOCO	BLOK	
2		<b>SBA064200015</b>		1	PLUG	TAPÓN	BOUCHON	STOPFEN	050T
					TAPPO	PROP	BUJAO	PLUG	
3		<b>SBA064200025</b>		1	PLUG	TAPÓN	BOUCHON	STOPFEN	050T
					TAPPO	PROP	BUJAO	PLUG	
4		<b>SBA064210040</b>		4	CAP	TAPON DEL DEPOSITO	CHAPEAU	ABDECKAPPE	052T
					TAPPO SERBATOIO	TANKDAEKSEL	TAMPAO DE RESERVATI	RESERVOIRDOP	
5		<b>SBA198466010</b>		2	PLUG	TAPÓN	BOUCHON	STOPFEN	050T
					TAPPO	PROP	BUJAO	PLUG	
5		<b>SBA198466030</b>		2	PLUG, 6.2mm, LS150	TAPÓN	BOUCHON	STOPFEN	050T
					TAPPO	PROP	BUJAO	PLUG	
6		<b>SBA198466020</b>		3	PLUG	TAPÓN	BOUCHON	STOPFEN	050T
					TAPPO	PROP	BUJAO	PLUG	
7		<b>SBA198466030</b>		4	PLUG	TAPÓN	BOUCHON	STOPFEN	050T
					TAPPO	PROP	BUJAO	PLUG	
7		<b>SBA198466010</b>		4	PLUG, LS150	TAPÓN	BOUCHON	STOPFEN	050T
					TAPPO	PROP	BUJAO	PLUG	
8		<b>SBA165296131</b>		1	SHAFT, Idler Gear, Uses Pin SBA140196072	EJE	ARBRE	WELLE	016A
					ALBERO	AKSEL	VEIO	AS	
9		<b>SBA198517090</b>		1	BUSHING, Before Engine S/N: LS140, 76992; LS150, 74975	CASQUILLO	BAGUE	BUECHSE	095B
					BOCCOLA	BOESNING	CASQUILHO	LAGERBUS	
10		<b>SBA198517220</b>		1	BUSHING, Std	CASQUILLO	BAGUE	BUECHSE	095B
					BOCCOLA	BOESNING	CASQUILHO	LAGERBUS	
10		<b>SBA198517224</b>		1	BUSHING, .1" (.25 mm), U/S	CASQUILLO	BAGUE	BUECHSE	095B
					BOCCOLA	BOESNING	CASQUILHO	LAGERBUS	
10		<b>SBA198517227</b>		1	BUSHING, .2" (.5 mm), U/S	CASQUILLO	BAGUE	BUECHSE	095B
					BOCCOLA	BOESNING	CASQUILHO	LAGERBUS	
11		<b>SBA040106203</b>		1	BEARING, BALL	RODAMIENTO DE BOLA	ROULEMENT A BILLES	KUGELLAGER	343C
					CUSCINETTO A SFERA	KUGLELEJE	ROLAMENTO	LAGER, KOGEL	
12		<b>SBA064100045</b>		1	PLUG, Expansion	TAPÓN	BOUCHON	STOPFEN	050T
					TAPPO	PROP	BUJAO	PLUG	
13		<b>SBA042309013</b>		1	BEARING ASSY	COJINETE	ROULEMENT	LAGER, KOMPLETT	341C
					CUSCINETTO	LEJE	ROLAMENTO	LAGER	
14		<b>SBA030500612</b>		2	PIN, Dowel	PERNO	AXE	BOLZEN	080P
					PERNO	STIFT	PERNO	PEN	
15		<b>SBA030500616</b>		2	PIN, Dowel	PERNO	AXE	BOLZEN	080P
					PERNO	STIFT	PERNO	PEN	
16		<b>SBA030501025</b>		2	PIN, Dowel	PERNO	AXE	BOLZEN	080P
					PERNO	STIFT	PERNO	PEN	
17		<b>SBA030309005</b>		2	PIN, Spring	PERNO	AXE	BOLZEN	080P
					PERNO	STIFT	PERNO	PEN	

**L150 L140**

CYLINDER BLOCK - L150 BSN N7M466068, L150 EU BSN N7M461810  
BLOQUE DE CILINDROS - L150 BSN N7M466068, L150 EU BSN N7M461810  
BLOC MOTEUR - L150 BSN N7M466068, L150 EU BSN N7M461810  
KURBELGEHÄUSE - L150 BSN N7M466068, L150 EU BSN N7M461810



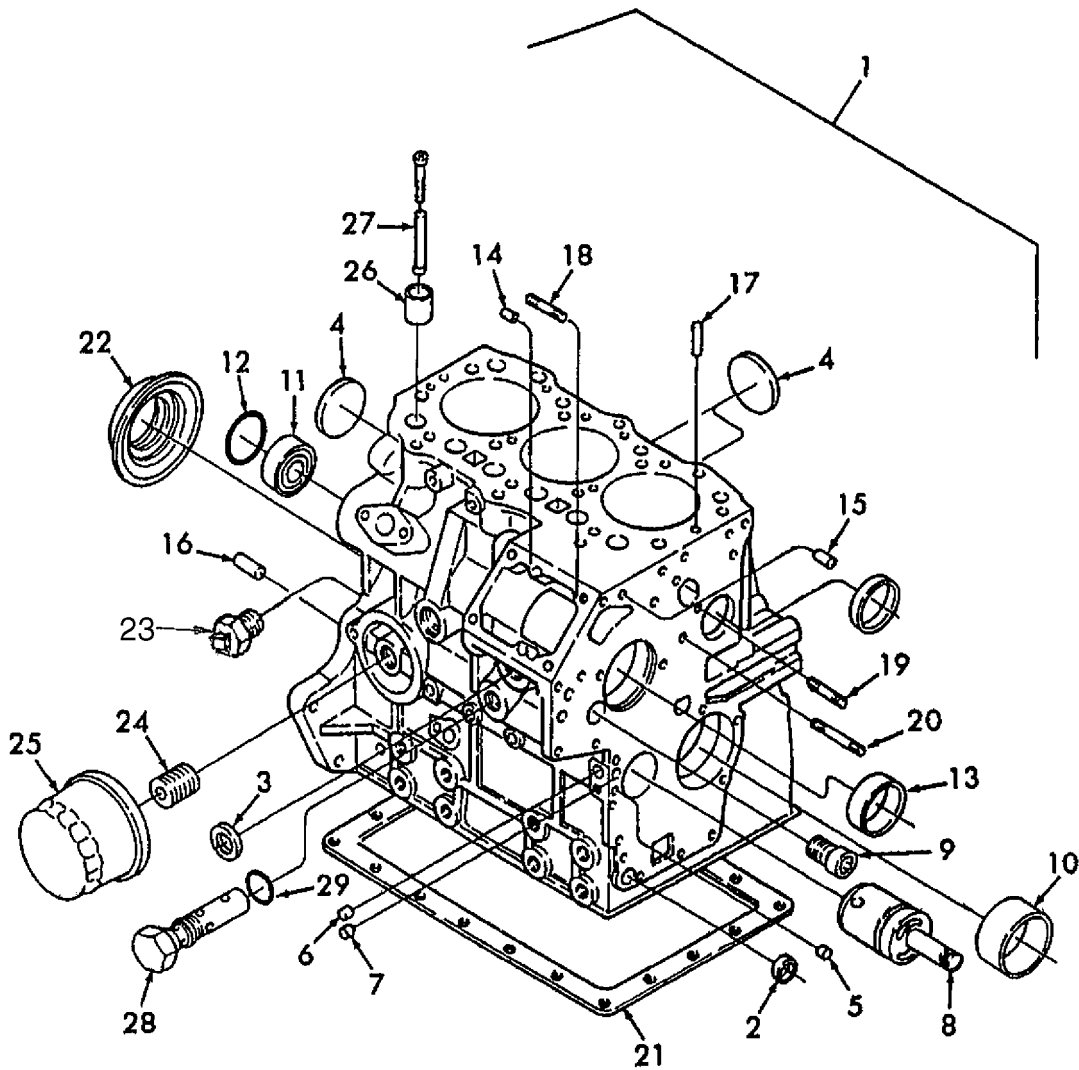
**BASAMENTO MOTORE - L150 BSN N7M466068, L150 EU BSN N7M461810**  
**KRUMTAPHUS - L150 BSN N7M466068, L150 EU BSN N7M461810**  
**BLOCO DE MOTOR - L150 BSN N7M466068, L150 EU BSN N7M461810**  
**MOTORBLOK - L150 BSN N7M466068, L150 EU BSN N7M461810**

R	N	P.N.	MOD	Q	Description Descrizione	Denominacion Beskrivelse	Description Denominação	Bezeichnung Beschrijving	L.C.
18		<b>SBA012110820</b>		2	BOLT BULLONE	TORNILLO SKRUE	BOULON PARAFUSO	SCHRAUBE BOUT	140B
19		<b>SBA012110635</b>		1	STUD PRIGIONIERO	PRISIONERO STOETTEBOLT	GOUJON PERNE	GEWINDEBOLZEN TAPEIND	210P
20		<b>SBA012110660</b>		1	BOLT BULLONE	TORNILLO SKRUE	BOULON PARAFUSO	SCHRAUBE BOUT	140B
21		<b>SBA110996820</b>		1	GASKET GUARNIZIONE	JUNTA HERMETICA PAKNING	JOINT JUNTA	DICHTUNG, FLACH DICHTINGSSTUK	123G
22		<b>SBA198636170</b>		1	SEAL ANELLO DI TENUTA	ANILLO DE CIERRE PAKNINGSRING	JOINT ANEL DE VEDACAO	DICHTUNG DICHTINGSRING	132A
22		<b>SBA050209084</b>		1	RING, LS150 ANELLO	ANILLO RING	ANNEAU ANEL	RING RING	045A
23		<b>SBA198736270</b>		1	DRAINCOCK/TAP, SUPPLY RUBINETTO	GRIFO HANE	ROBINET TORNEIRA	ABLASSHAHN KRAAN	150R
24		<b>SBA140546020</b>		1	ADAPTER ADATTATORE	ADAPTOR ADAPTER	ADAPTEUR ADAPTOR	ADAPTER VERLOOPSTUK	001A
25		<b>86546618</b>		1	FILTER, ENGINE OIL FILTRO OLIO MOTORE	FILTRO DE ACEITE OLIEFILTER	FILTRE A HUILE MOTEUR FILTRO DE OLEO	MOTORÖLFILTER OLIEFILTER	067F
25		<b>87415600</b>	a	1	FILTER, ENGINE OIL, Replaces 86546618 FILTRO OLIO MOTORE	FILTRO DE ACEITE OLIEFILTER	FILTRE A HUILE MOTEUR FILTRO DE OLEO	MOTORÖLFILTER OLIEFILTER	067F
26		<b>SBA120116100</b>		6	TAPPET PUNTERIA	EMPUJADOR VENTILLOEFTER	POUSSOIR IMPULSOR	STÖSSELEINSTELLSCHF LAGER, ROL	240P
26		<b>SBA120116160</b>		6	TAPPET, LS150 PUNTERIA	EMPUJADOR VENTILLOEFTER	POUSSOIR IMPULSOR	STÖSSELEINSTELLSCHF LAGER, ROL	240P
27		<b>SBA120456231</b>		6	ROD ASTA	VARILLA STANG	TRINGLE HASTE	STAB STANG	090A
27		<b>SBA120456250</b>		6	ROD, PUSH, LS150 ASTA, SPINTA	VARILLA DE EMPUJE SKUBBESTANG	TIGE DE CULBUTEUR HASTE DE IMPULSO	STÖSSELSTANGE ROD, PUSH	P307
28		<b>SBA140036220</b>		1	VALVE, PRESSURE RELIEF VALVOLA, DI SICUREZZA	VÁLVULA, DESCARGA SIKKERHEDSVENTIL	SOUPAPE, DÉCHARGE VÁLVULA, DESCARGA	DRUCKENTLASTUNGSV OVERDRUKVENTIEL	007V
29		<b>SBA052109078</b>		1	O-RING ANELLO TOROIDALE	JUNTA HERMETICA O-RING	JOINT THORIQUE O-RING	O-RING O-RING	055A

(a) From 10/96

**L150 L140**

CYLINDER BLOCK, L150 - L150 ASN N7M466068, L150 EU ASN N7M461810  
BLOQUE DE CILINDROS, L150 - L150 ASN N7M466068, L150 EU ASN N7M461810  
BLOC MOTEUR, L150 - L150 ASN N7M466068, L150 EU ASN N7M461810  
KURBELGEHÄUSE, L150 - L150 ASN N7M466068, L150 EU ASN N7M461810

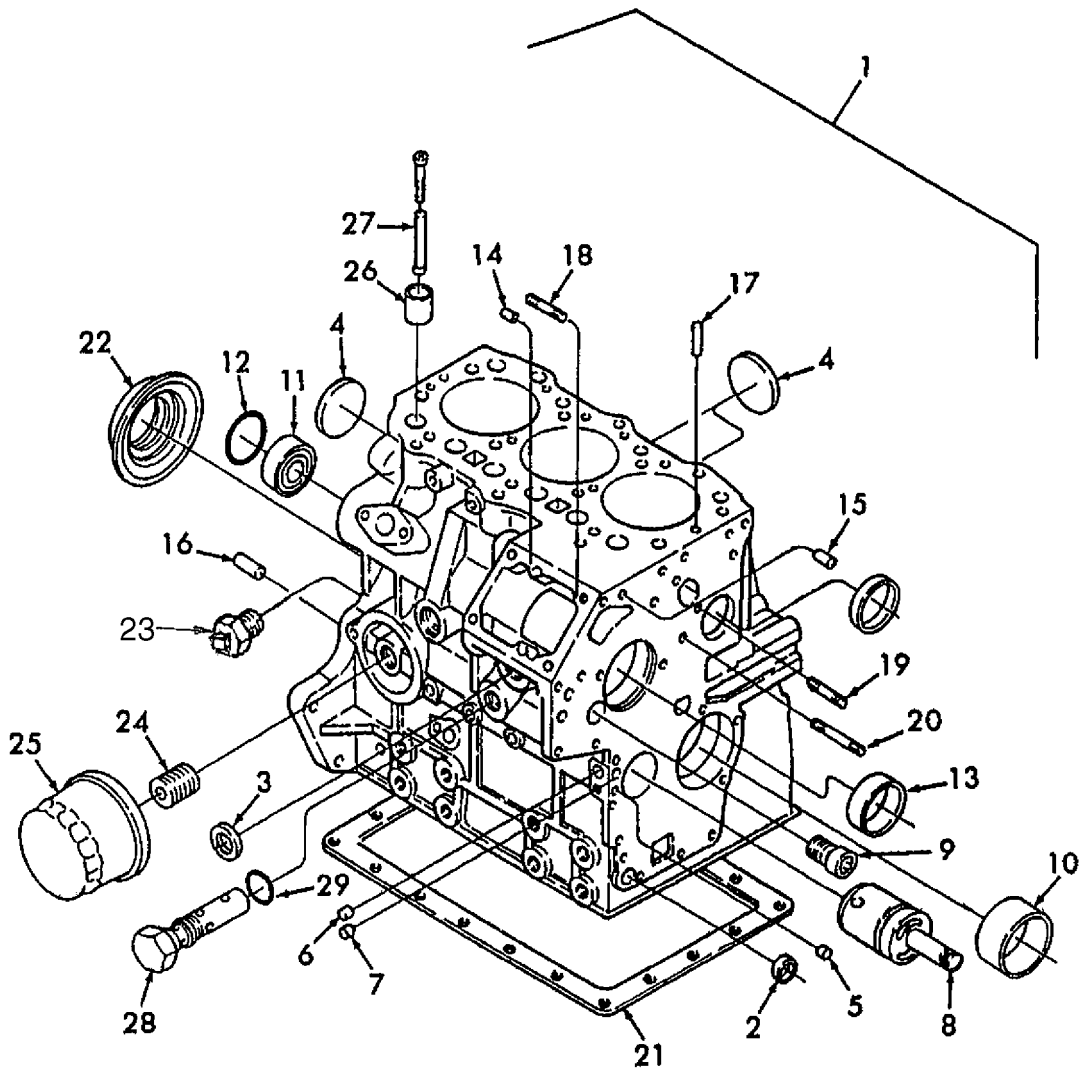


**BASAMENTO MOTORE, L150 - L150 ASN N7M466068, L150 EU ASN N7M461810**  
**KRUMTAPHUS, L150 - L150 ASN N7M466068, L150 EU ASN N7M461810**  
**BLOCO DE MOTOR, L150 - L150 ASN N7M466068, L150 EU ASN N7M461810**  
**MOTORBLOK, L150 - L150 ASN N7M466068, L150 EU ASN N7M461810**

R	N	P.N.	MOD	Q	Description Descrizione	Denominacion Beskrivelse	Description Denominação	Bezeichnung Beschrijving	L.C.
L150 ASN N7M466068, L150 EU ASN N7M461810									
2		<b>SBA064200015</b>		1	PLUG TAPPO	TAPÓN PROP	BOUCHON BUJAO	STOPFEN PLUG	050T
3		<b>SBA064200025</b>		1	PLUG TAPPO	TAPÓN PROP	BOUCHON BUJAO	STOPFEN PLUG	050T
4		<b>SBA064210040</b>		4	CAP TAPPO SERBATOIO	TAPON DEL DEPOSITO TANKDAEKSEL	CHAPEAU TAMPAO DE RESERVATI	ABDECKAPPE RESERVOIRDOP	052T
5		<b>SBA198466010</b>		2	PLUG TAPPO	TAPÓN PROP	BOUCHON BUJAO	STOPFEN PLUG	050T
5		<b>SBA198466030</b>		2	PLUG TAPPO	TAPÓN PROP	BOUCHON BUJAO	STOPFEN PLUG	050T
6		<b>SBA198466020</b>		3	PLUG TAPPO	TAPÓN PROP	BOUCHON BUJAO	STOPFEN PLUG	050T
7		<b>SBA198466030</b>		4	PLUG TAPPO	TAPÓN PROP	BOUCHON BUJAO	STOPFEN PLUG	050T
7		<b>SBA198466010</b>		4	PLUG TAPPO	TAPÓN PROP	BOUCHON BUJAO	STOPFEN PLUG	050T
8		<b>SBA165296131</b>		1	SHAFT, Idler Gear, Uses Pin SBA140196072	EJE	ARBRE	WELLE	016A
9		<b>SBA198517090</b>		1	BUSHING BOCCOLA	CASQUILLO BOESNING	BAGUE CASQUILHO	BUECHSE LAGERBUS	095B
10		<b>SBA198517222</b>		1	BUSHING, Std BOCCOLA	CASQUILLO BOESNING	BAGUE CASQUILHO	BUECHSE LAGERBUS	095B
10		<b>SBA198517226</b>		1	BUSHING, .1" (.25 mm), U/S	CASQUILLO	BAGUE	BUECHSE	095B
10		<b>SBA198517229</b>		1	BUSHING, .2" (.5 mm), U/S	CASQUILLO	BAGUE	BUECHSE	095B
11		<b>SBA040106203</b>		1	BEARING, BALL CUSCINETTO A SFERA	RODAMIENTO DE BOLA KUGLELEJE	ROULEMENT A BILLES ROLAMENTO	KUGELLAGER LAGER, KOGEL	343C
12		<b>SBA064100045</b>		1	PLUG, Expansion TAPPO	TAPÓN PROP	BOUCHON BUJAO	STOPFEN PLUG	050T
13		<b>SBA042309013</b>		1	BEARING ASSY CUSCINETTO	COJINETE LEJE	ROULEMENT ROLAMENTO	LAGER, KOMPLETT LAGER	341C
14		<b>SBA030500612</b>		2	PIN, Dowel PERNO	PERNO STIFT	AXE PERNO	BOLZEN PEN	080P
15		<b>SBA030500616</b>		2	PIN, Dowel PERNO	PERNO STIFT	AXE PERNO	BOLZEN PEN	080P
16		<b>SBA030501025</b>		2	PIN, Dowel PERNO	PERNO STIFT	AXE PERNO	BOLZEN PEN	080P
17		<b>SBA030309005</b>		2	PIN, Spring PERNO	PERNO STIFT	AXE PERNO	BOLZEN PEN	080P
18		<b>SBA012110820</b>		2	BOLT BULLONE	TORNILLO SKRUE	BOULON PARAFUSO	SCHRAUBE BOUT	140B
19		<b>SBA012110635</b>		1	STUD PRIGIONIERO	PRISIONERO STOETTEBOLT	GOUJON PERNE	GEWINDEBOLZEN TAPEIND	210P

**L150**

CYLINDER BLOCK, L150 - L150 ASN N7M466068, L150 EU ASN N7M461810  
BLOQUE DE CILINDROS, L150 - L150 ASN N7M466068, L150 EU ASN N7M461810  
BLOC MOTEUR, L150 - L150 ASN N7M466068, L150 EU ASN N7M461810  
KURBELGEHÄUSE, L150 - L150 ASN N7M466068, L150 EU ASN N7M461810

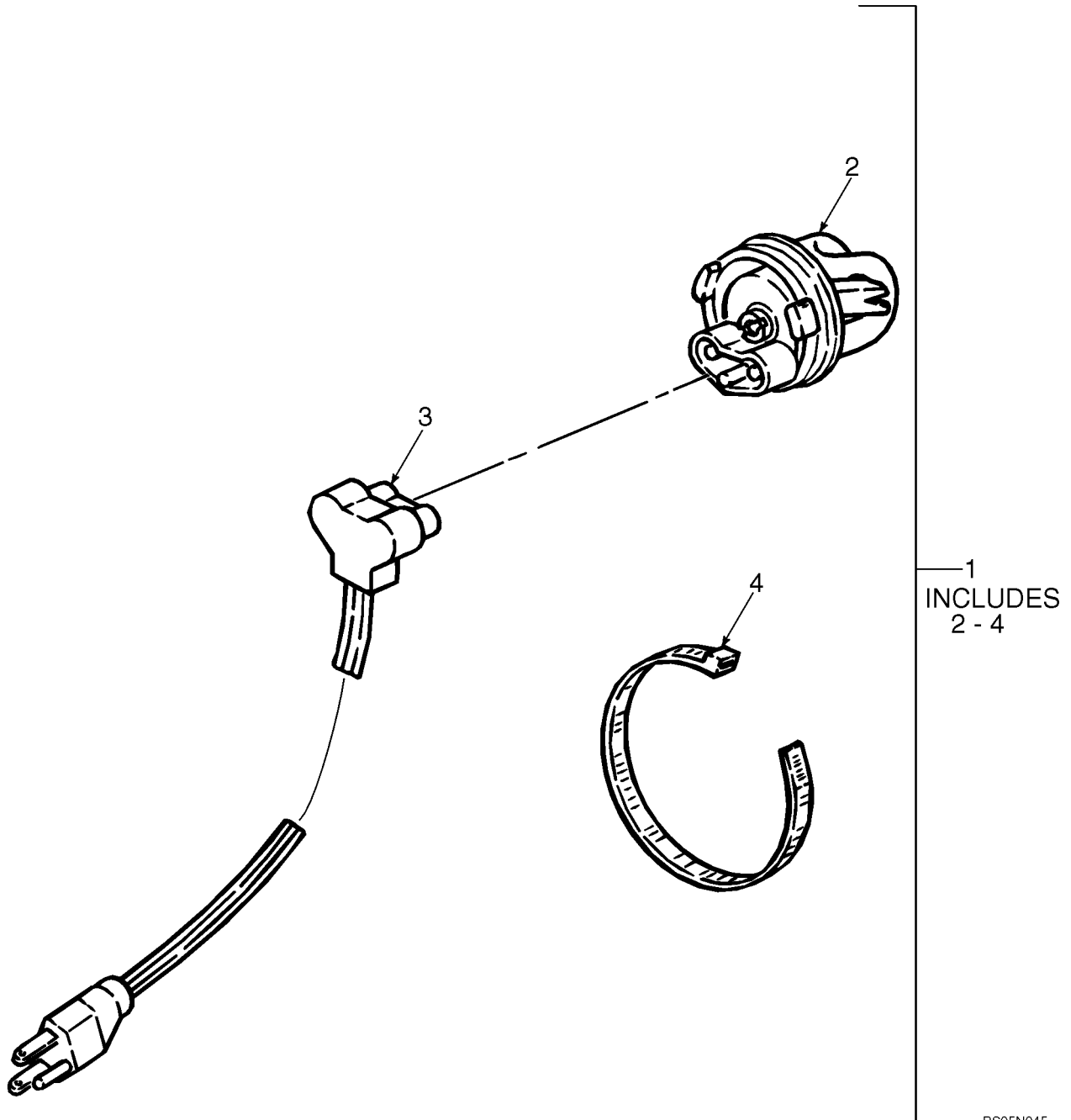


**BASAMENTO MOTORE, L150 - L150 ASN N7M466068, L150 EU ASN N7M461810**  
**KRUMTAPHUS, L150 - L150 ASN N7M466068, L150 EU ASN N7M461810**  
**BLOCO DE MOTOR, L150 - L150 ASN N7M466068, L150 EU ASN N7M461810**  
**MOTORBLOK, L150 - L150 ASN N7M466068, L150 EU ASN N7M461810**

R	N	P.N.	MOD	Q	Description Descrizione	Denominacion Beskrivelse	Description Denominação	Bezeichnung Beschrijving	L.C.
20		<b>SBA012110660</b>		1	BOLT BULLONE	TORNILLO SKRUE	BOULON PARAFUSO	SCHRAUBE BOUT	140B
21		<b>SBA110996820</b>		1	GASKET GUARNIZIONE	JUNTA HERMETICA PAKNING	JOINT JUNTA	DICHTUNG, FLACH DICHTINGSSTUK	123G
22		<b>SBA050209084</b>		1	RING ANELLO	ANILLO RING	ANNEAU ANEL	RING RING	045A
23		<b>SBA064500060</b>		1	PLUG, Plug TAPPO	TAPÓN PROP	BOUCHON BUJAO	STOPFEN PLUG	050T
24		<b>SBA140546020</b>		1	ADAPTER ADATTATORE	ADAPTOR ADAPTER	ADAPTEUR ADAPTOR	ADAPTER VERLOOPSTUK	001A
25		<b>87415600</b>		1	FILTER, ENGINE OIL FILTRO OLIO MOTORE	FILTRO DE ACEITE OLIEFILTER	FILTRE A HUILE MOTEUR FILTRO DE OLEO	MOTORÖLFILTER OLIEFILTER	067F
26		<b>SBA120116160</b>		6	TAPPET PUNTERIA	EMPUJADOR VENTILLOEFTER	POUSSOIR IMPULSOR	STÖSSELEINSTELLSCHIF LAGER, ROL	240P
27		<b>SBA120456250</b>		6	ROD, PUSH ASTA, SPINTA	VARILLA DE EMPUJE SKUBBESTANG	TIGE DE CULBUTEUR HASTE DE IMPULSO	STÖSSELSTANGE ROD, PUSH	P307
28		<b>SBA140036220</b>		1	VALVE, PRESSURE RELIEF VALVOLA, DI SICUREZZA	VÁLVULA, DESCARGA SIKKERHEDSVENTIL	SOUPAPE, DÉCHARGE VÁLVULA, DESCARGA	DRUCKENTLASTUNGSV OVERDRUKVENTIEL	007V
29		<b>SBA052109078</b>		1	O-RING ANELLO TOROIDALE	JUNTA HERMETICA O-RING	JOINT THORIQUE O-RING	O-RING O-RING	055A

**L150**

BLOCK HEATER KIT  
CALENTADOR DE BLOQUE  
CHAUFFE-BLOC  
BLOCKHEIZUNGS-KIT



RISCALDATORE DEL MONOBLOCCO  
OPVARMNING AF MOTORBLOK  
AQUECEDOR DO BLOCO DO MOTOR  
BLOKVERWARMINGSSET

R	N	P.N.	MOD	Q	Description Descrizione	Denominacion Beskrivelse	Description Denominação	Bezeichnung Beschrijving	L.C.
1		86590117		1	KIT, Block Heater, Incl. 2 - 4EQUIPO CORREDO	UDSTYR	KIT KIT	SATZ KIT	305C
2		NSS		1	NOT SERVICED SEPARATELY, Block Heater NON FORNITO SEPARA1	NO SE REPARA SEPARA NOT SERVICED SEPARA	NON FOURNI SEPREMI NOT SERVICED SEPARA	KEIN ERSATZTEIL NIET ALLEEN VERKRIJG	064N
3		86539137		1	CABLE, ELECTRIC, 5 Ft (1.52M) CAVO ELETTRICO	CABLE ELECTRICO EL-KABEL	CABLE ELECTRIQUE CABO ELECTRICO	STROMKABEL ELECTRISCHE KABEL	111C
4		263117		1	STRAP, CABLE, .14" x 11 1/2", 3/32" x 11-1/2" L CINGHIA, CABLAGGIO	CIERRA CABLES SELEKABEL	SERRE-CABLE APRIETACABLES	KABELBINDER STRAP, CABLE	P716

L 150 L 140



**Suggest:**

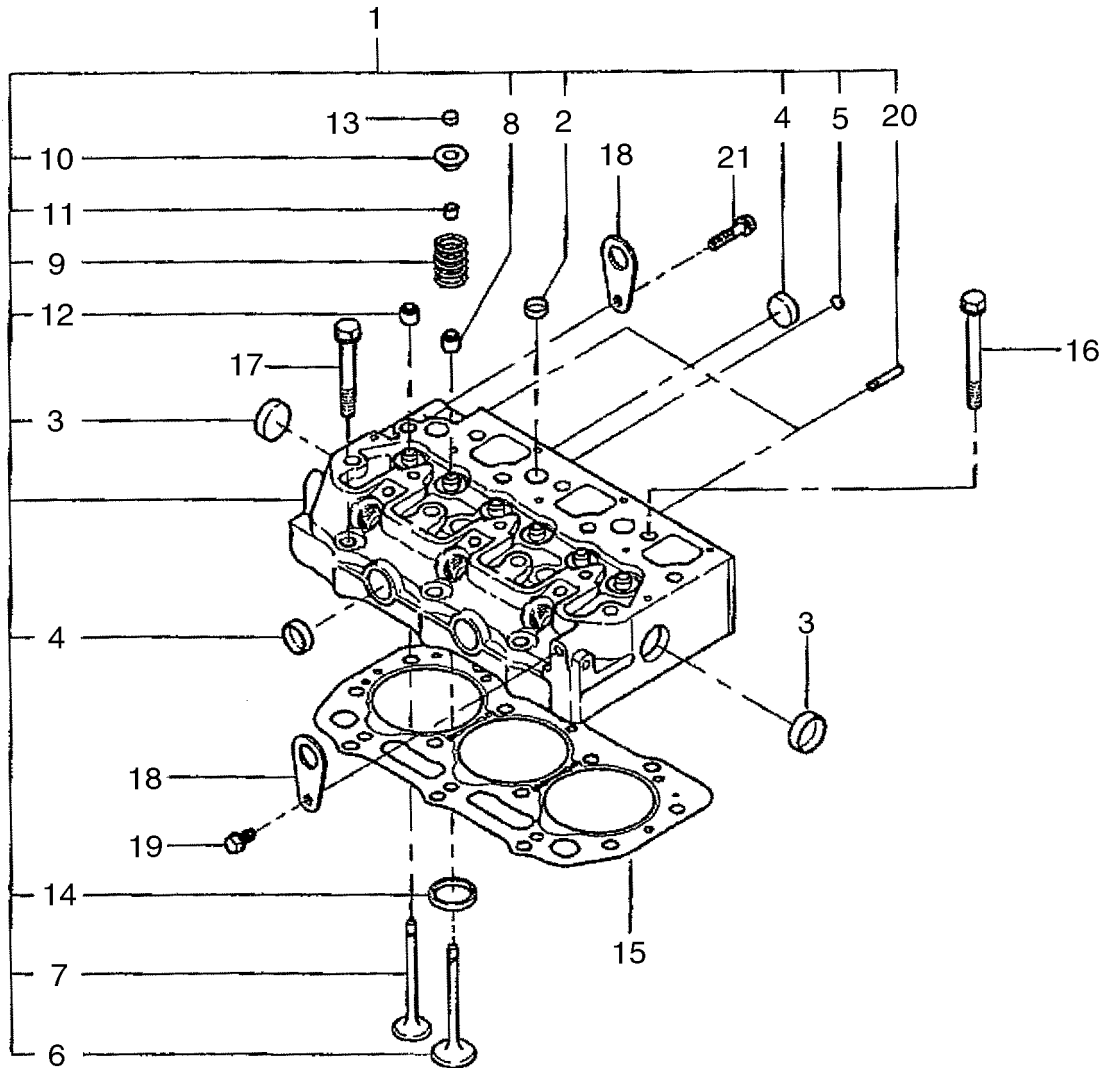
**For more complete manuals. Please go to the home page.**

**<https://www.ebooklibonline.com>**

**If the above button click is invalid. Please download this document first, and then click the above link to download the complete manual.**

**Thank you so much for reading**

CYLINDER HEAD - L150 BSN N7M466068, L150 EU BSN N7M461810  
CULATA DEL CILINDRO - L150 BSN N7M466068, L150 EU BSN N7M461810  
CULASSE - L150 BSN N7M466068, L150 EU BSN N7M461810  
ZYLINDERKOPF - L150 BSN N7M466068, L150 EU BSN N7M461810



TESTA DEL CILINDRO - L150 BSN N7M466068, L150 EU BSN N7M461810  
 CYLINDERHOVED - L150 BSN N7M466068, L150 EU BSN N7M461810  
 CABEÇA DO CILINDRO - L150 BSN N7M466068, L150 EU BSN N7M461810  
 CILINDERHOOFD - L150 BSN N7M466068, L150 EU BSN N7M461810

R	N	P.N.	MOD	Q	Description Descrizione	Denominacion Beskrivelse	Description Denominação	Bezeichnung Beschrijving	L.C.
L150 BSN N7M466068, L150 EU BSN N7M461810									
1		<b>SBA111017050</b>		1	CYLINDER HEAD, L140, L150 TESTA CILINDRI	CULATA CYLINDERHOVED	CULASSE CABECA DE MOTOR	ZYLINDERKOPF CYLINDERKOP	113T
2		<b>SBA064210020</b>		5	ELEMENT, SEALING, Sealing ELEMENTO DI TENUTA	ELEMENTO DE CIERRE PAKNINGSELEMENT	ELEMENTS D'ETANCHEI ELEMENTO DE VEDACA	DICHTELEMENT DICHTINGSSELEMENT	021E
3		<b>SBA064210030</b>		2	PLUG, Sealing TAPPO	TAPÓN PROP	BOUCHON BUJAO	STOPFEN PLUG	050T
4		<b>SBA064210025</b>		4	PLUG, Sealing TAPPO	TAPÓN PROP	BOUCHON BUJAO	STOPFEN PLUG	050T
5		<b>SBA064210010</b>		2	COVER, CAP, Sealing COPRITAPPO	CAPUCHA DE TAPON PROPDÆKSEL	CACHE-BOUCHON TAMPA DE COBERTURA	DECKEL AFSCHERMKAP	293C
6		<b>SBA120166350</b>		3	VALVE, ENGINE, INLET, STD, Intake VALVOLA DI ASPIRAZIONE	VÁLVULA DE ADMISIÓN INDSUGNINGSVENTIL	SOUPAPE D'ADMISSION VALVULA DE ADMISSAO	EINLASSVENTIL, STAND INLAATKLEP	111V
7		<b>SBA120176360</b>		3	VALVE, ENG EXHAUST, STD, Exhaust VALVOLA DI SCARICO	VALVULA DE ESCAPE UDSTOEDNINGSVENTIL	SOUPAPE D'ECHAPPEM VALVULA DE ESCAPE	AUSLASSVENTIL, STAND UITLAATKLEP	112V
8		<b>SBA120406070</b>		3	SEAL, Intake Valve Guide ANELLO DI TENUTA	ANILLO DE CIERRE PAKNINGSRING	JOINT ANEL DE VEDACAO	DICHTUNG DICHTINGSRING	132A
9		<b>SBA198216700</b>		6	SPRING MOLLA	RESORTE FJEDER	RESSORT MOLA	FEDER VEER	100M
10		<b>SBA120186080</b>		6	RETAINER RITEGNO	RETENEDOR HOLDER	RETENEUR RETENTOR	HALTEPLATTE HOUDER	109R
11		<b>SBA120226070</b>		12	RETAINER, Cotter RITEGNO	RETENEDOR HOLDER	RETENEUR RETENTOR	HALTEPLATTE HOUDER	109R
12		<b>SBA120406050</b>		3	SEAL, Exhaust Valve Guide ANELLO DI TENUTA	ANILLO DE CIERRE PAKNINGSRING	JOINT ANEL DE VEDACAO	DICHTUNG DICHTINGSRING	132A
13		<b>SBA120216040</b>		6	CAP, If Used TAPPO SERBATOIO	TAPON DEL DEPOSITO TANKDAEKSEL	CHAPEAU TAMPAO DE RESERVATO	ABDECKAPPE RESERVOIRDOP	052T
13		<b>SBA120216041</b>		8	CAP, If Used TAPPO SERBATOIO	TAPON DEL DEPOSITO TANKDAEKSEL	CHAPEAU TAMPAO DE RESERVATO	ABDECKAPPE RESERVOIRDOP	052T
14		<b>SBA110136400</b>		3	VALVE SEAT, Intake SEDE VALVOLA	ASIENTO DE VALVULA VENTILSAEDE	SIEGE DE SOUPAPE SEDE DE VALVULA	VENTILSITZ KLEPZITTING	074S
15		<b>SBA111147491</b>		1	GASKET, CYLINDER HEAD, 1.3 mm Thick GUARNIZIONE TESTA CILINDRO	JUNTA DE CULATA TOPPAKNING	JOINT DE CULASSE JUNTA DA CABECA	ZYLINDERKOPFDICHTUNG CYLINDERKOPDICHTING	129G
		<b>SBA111147501</b>		1	GASKET, CYLINDER HEAD, 1.4 mm Thick GUARNIZIONE TESTA CILINDRO	JUNTA DE CULATA TOPPAKNING	JOINT DE CULASSE JUNTA DA CABECA	ZYLINDERKOPFDICHTUNG CYLINDERKOPDICHTING	129G
16		<b>SBA111136480</b>		11	BOLT, Head BULLONE	TORNILLO SKRUE	BOULON PARAFUSO	SCHRAUBE BOUT	140B
17		<b>SBA111136490</b>		3	BOLT, Head BULLONE	TORNILLO SKRUE	BOULON PARAFUSO	SCHRAUBE BOUT	140B
18		<b>SBA195816540</b>		2	EYE, LIFTING OCCHIELLO,SOLLEVAM	GAZA LØFTEØJE	OEILLET OLHAL LEVANTAMENTO	HUBØSE EYE, LIFTING	P783

**L150 L140**

**<https://www.ebooklibonline.com>**

Hello dear friend!

Thank you very much for reading.

Enter the link into your browser.

The full manual is available for immediate download.

**<https://www.ebooklibonline.com>**