

# **PARTS MANUAL**

---

## **CHALLENGER**

**H3.50-5.50XM H4.00XM-5, -6  
H4.00XMS-6  
(K005)**

**CUSTOMER EDITION**

---

# ***HYSTER***

**SECTIONS**

<b>1</b>	<b>FRAME</b>
<b>2</b>	<b>ENGINES</b>
<b>3</b>	<b>FUEL SYSTEM</b>
<b>4</b>	<b>ELECTRICAL SYSTEM</b>
<b>5</b>	<b>TRANSMISSION</b>
<b>6</b>	<b>STEERING SYSTEM</b>
<b>7</b>	<b>BRAKE SYSTEM</b>
<b>8</b>	<b>HYDRAULIC SYSTEM</b>
<b>9</b>	<b>MAST-TWO STAGE LIMITED FREE-LIFT</b>
<b>10</b>	<b>MAST-TWO STAGE FULL FREE-LIFT</b>
<b>11</b>	<b>MAST-THREE STAGE FULL FREE-LIFT</b>
<b>12</b>	<b>OPTIONS</b>
<b>13</b>	<b>NUMERICAL INDEX</b>

**TABLE OF CONTENTS**

DESCRIPTION	PAGE
<b>A</b>	
AIR FILTER.....	3-50
AIR SYSTEM.....	3-48
ALTERNATOR	
LPG AND DIESEL .....	4-28
ALTERNATOR MOUNTING	
DIESEL	
⇒S/N K005A-04694Y .....	2-16
S/N K005A-04695Y⇒ .....	2-18
AUDIBLE ALARM.....	12-54
AUXILIARY TUBE EXTENSION KIT	
TWO AND THREE STAGE FULL FREE-LIFT .....	12-16
TWO STAGE LIMITED FREE-LIFT.....	12-14
<b>B</b>	
BAFFLE AND ATTACHING PARTS .....	2-8
BRAKE ASSEMBLY	
H3.50XM, H4.00XM-5, H4.00XMS-6 .....	7-8
H4.00XM-6, H4.50XM, H5.00XM, H5.50XM.....	7-12
BRAKE RELAY ASSEMBLY .....	7-16
BRAKE SYSTEM	
HYDROSTATIC TRANSMISSION.....	7-6
POWERSHIFT .....	7-2
<b>C</b>	
CAB	
DOOR ASSEMBLY .....	12-66
ELECTRICAL.....	12-60
FRAME .....	12-58
WINDOWS AND WIPER MOTOR .....	12-64
CAB ATTACHING PARTS.....	12-30
CAMSHAFT AND OIL SUMP	
LPG.....	2-60
CARBURETOR	
LPG	
WITH LOW EMISSIONS .....	3-36
CARRIAGE	
THREE STAGE FULL FREE-LIFT .....	11-28
TWO STAGE FULL FREE-LIFT .....	10-18
TWO STAGE LIMITED FREE-LIFT.....	9-20
CONTROL VALVE	
TRANSMISSION.....	5-12
COOLANT PUMP	
DIESEL	
D/B 09/2001⇒.....	2-38
DIESEL 1004.4	
⇒D/B 09/2001.....	2-36
COOLING .....	2-4
COUNTERWEIGHT .....	1-22
CRANKSHAFT AND PISTON	
DIESEL .....	2-28

**<https://www.ebooklibonline.com>**

Hello dear friend!

Thank you very much for reading.

Enter the link into your browser.

The full manual is available for immediate download.

**<https://www.ebooklibonline.com>**

## TABLE OF CONTENTS (Continued)

DESCRIPTION	PAGE
<b>C (continued)</b>	
CYLINDER BLOCK	
DIESEL .....	2-26
LPG.....	2-56
CYLINDER HEAD	
DIESEL .....	2-24
LPG.....	2-54
<b>D</b>	
DIFFERENTIAL ASSEMBLY .....	5-16
DISTRIBUTOR .....	4-32
DRIVE AXLE	
HYDROSTATIC TRANSMISSION.....	5-28
POWERSHIFT .....	5-24
<b>E</b>	
ELECTRICAL SYSTEM	
COWL	
HYDROSTATIC TRANSMISSION .....	4-8
POWERSHIFT TRANSMISSION .....	4-4
DIESEL	
⇒S/N K005A-02458.....	4-14
S/N K005A-02459⇒.....	4-18
LPG.....	4-22
LPG ALTERNATOR AND BATTERY .....	4-26
THROTTLE UP	
HYDROSTATIC TRANSMISSION .....	4-12
ENGINE AND ATTACHING PARTS	
DIESEL .....	2-20
LPG.....	2-48
ENGINE MOUNT	
DIESEL .....	2-14
LPG	
POWERSHIFT TRANSMISSION .....	2-52
EXHAUST	
DIESEL .....	2-44
LPG	
WITHOUT LOW EMISSIONS	
S/N K005A07051A⇒ .....	2-74
LPG WITHOUT LOW EMISSIONS	
⇒S/N K005A07050A.....	2-72
THREE-WAY CATALYTIC CONVERTER	
LPG WITH LOW EMISSIONS	
⇒S/N K005A07050A .....	2-76
S/N K005A07051A⇒ .....	2-78
EXHAUST MANIFOLD	
LPG	
⇒S/N K005A07050A.....	2-68
S/N K005A07051A⇒.....	2-70

**TABLE OF CONTENTS (Continued)**

DESCRIPTION	PAGE
<b>F</b>	
FAN DRIVE ASSEMBLY.....	2-10
FENDER EXTENSIONS.....	12-12
FILTER AND LOCK-OFF VALVE	
LPG	
⇒S/N K005A-03585Y .....	3-44
FILTER ASSEMBLY	
HYDROSTATIC TRANSMISSION.....	5-40
FLOOR PLATES AND COVERS .....	1-16
FORK	
ATTACHMENT CARRIAGE HOOK TYPE, STANDARD TAPER	
THREE STAGE FULL FREE-LIFT, H4.00XM-6 AND H4.50XM .....	11-40
TWO STAGE FULL FREE-LIFT, H4.00XM-6 AND H4.50XM .....	10-26
TWO STAGE LIMITED FREE-LIFT, H4.00XM-6 AND H4.50XM.....	9-25
FULL BOTTOM TAPER HOOK TYPE	
THREE STAGE FULL FREE-LIFT, H4.00XM-6, H4.50XM, H5.00XM, H5.50XM.....	11-39
TWO STAGE FULL FREE-LIFT, H4.00XM-6, H4.50XM, H5.00XM, H5.50XM.....	10-25
HOOK TYPE	
TWO STAGE LIMITED FREE-LIFT .....	9-24
STANDARD TAPER HOOK TYPE	
THREE STAGE FULL FREE-LIFT, H3.50XM, H4.00XM-5, H4.00XMS-6 .....	11-38
TWO STAGE FULL FREE-LIFT, H3.50XM, H4.00XM-5, H4.00XMS-6 .....	10-24
FREE-LIFT	
THREE STAGE FULL FREE-LIFT .....	11-16
FREE-LIFT CYLINDER	
THREE STAGE FULL FREE-LIFT .....	11-24
TWO STAGE FULL FREE-LIFT .....	10-14
FUEL FILTER	
LOW PRESSURE SYSTEM	
DIESEL.....	3-6
FUEL INJECTION	
DIESEL .....	3-8
FUEL SYSTEM	
DIESEL .....	3-10
LPG	
CLOSED LOOP	
D/B 12/2003⇒ .....	3-32
⇒D/B 12/2003 .....	3-28
LPG OPEN LOOP	
D/B 12/2003⇒.....	3-24
⇒S/N K005A-03585Y .....	3-16
S/N K005A-03586Y⇔D/B 12/2003 .....	3-20
FULL SUSPENSION SEAT	
SHEET 1 OF 2.....	1-6
SHEET 2 OF 2.....	1-8
<b>G</b>	
GENERAL TRUCK .....	1-2
GOVERNOR	
LPG.....	3-47

## TABLE OF CONTENTS (Continued)

DESCRIPTION	PAGE
<b>H</b>	
HEADER HOSE	
THREE STAGE FULL FREE-LIFT .....	11-32
TWO STAGE FULL FREE-LIFT .....	10-28
TWO STAGE LIMITED FREE-LIFT	
⇒S/N A749A-025231, ⇒S/N A750A-02672 .....	9-14
S/N A749A-025232⇒, S/N A750A-02673⇒ .....	9-16
HEADLIGHTS, REAR LIGHTS, AND SIDE LAMPS	
WITHOUT CAB	
⇒S/N K005A07626A.....	12-18
S/N K005A07627A⇒.....	12-20
HEATER .....	12-70
HEATER INSTALLATION	
DIESEL .....	12-76
GASOLINE.....	12-72
LPG.....	12-74
HOOD AND COVERS .....	1-10
HYDRAULIC CONTROL LINES	
FOUR FUNCTION .....	8-12
THREE FUNCTION .....	8-10
HYDRAULIC CONTROL VALVE	
THREE AND FOUR FUNCTION	
⇒S/N K005A-04553Y .....	8-20
SHEET 1 OF 2	
S/N K005A04554Y⇒ .....	8-22
SHEET 2 OF 2	
S/N K005A04554Y⇒ .....	8-26
HYDRAULIC CONTROL VALVE ATTACHING PARTS	
FOUR FUNCTION WITH DETENTED LEVERS .....	8-16
THREE FUNCTION .....	8-14
WITH HYDROSTATIC TRANSMISSION .....	8-18
HYDRAULIC FILTER HOUSING .....	8-28
HYDRAULIC PUMP.....	8-36
HYDRAULIC PUMP AND MOUNT	
HYDROSTATIC TRANSMISSION.....	5-32
HYDRAULIC SYSTEM	
WITH HYDROSTATIC TRANSMISSION .....	8-6
WITH POWERSHIFT TRANSMISSION .....	8-2
<b>I</b>	
INNER AND FREE LIFT MAST	
TWO STAGE FULL FREE-LIFT .....	10-6
INNER MAST	
THREE STAGE FULL FREE-LIFT .....	11-10
TWO STAGE LIMITED FREE-LIFT.....	9-4
INPUT AND DIRECTIONAL CLUTCH .....	5-10
INSTRUMENT PANEL.....	4-11
INTERMEDIATE MAST	
THREE STAGE FULL FREE-LIFT .....	11-6

**TABLE OF CONTENTS (Continued)**

DESCRIPTION	PAGE
<b>L</b>	
LABELS .....	1-29
LIFT PUMP	
DIESEL .....	3-14
LIFTING EYE.....	12-3
LOAD BACKREST EXTENSION	
THREE STAGE FULL FREE-LIFT .....	11-36
TWO STAGE FULL FREE-LIFT .....	10-22
TWO STAGE LIMITED FREE-LIFT.....	9-22
LOW PRESSURE SYSTEM	
DIESEL	
D/B 07/2001⇒.....	3-4
⇒D/B 07/2001.....	3-2
LPG CONVERTER	
OPEN LOOP	
⇒S/N K005A-03585Y .....	3-45
S/N K005A-03586Y⇔D/B 12/2003 .....	3-46
LPG TANK AND BRACKET	
SWING OUT .....	3-40
LPG TANK BRACKET	
FIXED .....	3-38
SWING OUT/DROP DOWN.....	3-42
<b>M</b>	
MAIN CYLINDER	
THREE STAGE FULL FREE-LIFT .....	11-20
TWO STAGE LIMITED FREE-LIFT.....	9-10
MAIN LIFT	
THREE STAGE FULL FREE-LIFT .....	11-12
TWO STAGE LIMITED FREE-LIFT.....	9-6
MAIN LIFT CYLINDER	
TWO STAGE FULL FREE-LIFT .....	10-10
MANIFOLD VALVE .....	5-14
MANIFOLDS	
DIESEL	
D/B 07/2001⇒.....	2-42
⇒D/B 09/2001.....	2-40
MAST INSTALLATION	
⇒S/N K005A07376A .....	8-30
S/N K005A07377A⇒.....	8-32
MASTER CYLINDER AND BOOSTER ASSEMBLY .....	7-14
MIRROR	
WITHOUT CAB.....	12-28
MONOTROL PEDAL .....	3-68
<b>N</b>	
NON-SUSPENSION SEAT.....	1-4

## TABLE OF CONTENTS (Continued)

DESCRIPTION	PAGE
<b>O</b>	
OIL FILTER	
DIESEL .....	2-33
OIL PUMP	
LPG.....	2-66
OIL SUMP AND PUMP	
DIESEL .....	2-30
OPERATOR COMPARTMENT .....	1-12
OUTER MAST	
THREE STAGE FULL FREE-LIFT .....	11-2
TWO STAGE LIMITED FREE-LIFT.....	9-2
OUTER MAST AND MAIN LIFT	
TWO STAGE FULL FREE-LIFT .....	10-2
OVERHEAD GUARD.....	1-14
<b>P</b>	
PARK BRAKE .....	7-18
PEDAL LINKAGE .....	3-66
<b>R</b>	
REAR DRIVE LIGHTS	
SINGLE	
WITHOUT CAB	
S/N K005A07627A⇒ .....	12-22
ROTARY EXHAUSTER	
DIESEL .....	2-46
ROTATING BEACON	
WITHOUT CAB.....	12-26
<b>S</b>	
SCREEN	
REAR	
⇒S/N K005A-02078.....	1-24
S/N K005A-02079⇒.....	1-26
SHIFT LEVER .....	4-34
SIDE-SHIFT CARRIAGE	
TWO AND THREE STAGE FULL FREE-LIFT	
H3.50XM, H4.00XM-5, H4.00XMS-6.....	12-38
H4.00XM-6, H4.50XM, H5.00XM, H5.50XM .....	12-40
TWO STAGE LIMITED FREE-LIFT	
H3.50XM, H4.00XM-5, H4.00XMS-6.....	12-34
H4.00XM-6, H4.50XM, H5.00XM, H5.50XM .....	12-36
SIDE-SHIFT FRAME	
1219 MM, TWO AND THREE STAGE FULL FREE-LIFT	
H3.50XM, H4.00XM-5, H4.00XMS-6.....	12-48
1219 MM, TWO STAGE LIMITED FREE-LIFT	
H3.50XM, H4.00XM-5, H4.00XMS-6.....	12-42
1372 AND 1524 MM TWO AND THREE STAGE FULL FREE-LIFT	
H4.00XM-6, H4.50XM, H5.00XM, H5.50XM .....	12-52
1372 MM AND 1524 MM, TWO STAGE LIMITED FREE-LIFT	
H4.00XM-6, H4.50XM, H5.00XM, H5.50XM .....	12-46

**TABLE OF CONTENTS (Continued)**

DESCRIPTION	PAGE
<b>S (continued)</b>	
1524 MM, TWO AND THREE STAGE FULL FREE-LIFT H3.50XM, H4.00XM-5, H4.00XMS-6.....	12-50
1524 MM, TWO STAGE LIMITED FREE-LIFT H3.50XM, H4.00XM-5, H4.00XMS-6.....	12-44
SOUND REDUCTION .....	1-18
SPOT LIGHT	
WITHOUT CAB.....	12-24
STARTER MOTOR	
DIESEL .....	4-30
STEERING AXLE .....	6-8
STEERING COLUMN.....	6-4
STEERING CYLINDER .....	6-12
STEERING PUMP .....	6-6
STEERING SYSTEM .....	6-2
<b>T</b>	
THROTTLE LINKAGE	
WITH THROTTLE-UP	
DIESEL.....	3-60
WITHOUT THROTTLE UP	
DIESEL.....	3-56
LPG .....	3-52
THROTTLE UP ASSEMBLY .....	3-64
TILT CYLINDER .....	8-34
TIMING GEAR	
DIESEL .....	2-34
TIRE AND WHEEL	
DUAL DRIVE WHEEL.....	12-8
SINGLE DRIVE WHEEL.....	12-4
RADIAL .....	12-6
STEER WHEEL .....	12-10
TORQUE CONVERTER.....	5-22
TRANSMISSION	
POWERSHIFT	
SHEET 1 OF 2 .....	5-2
SHEET 2 OF 2 .....	5-6
TRANSMISSION LINES	
HYDROSTATIC TRANSMISSION.....	5-36
POWERSHIFT .....	5-18
TRANSMISSION MOUNT .....	5-20
TRANSMISSION PUMP	
HYDROSTATIC TRANSMISSION.....	5-34
<b>U</b>	
UNDERCARRIAGE PAN .....	1-20

## TABLE OF CONTENTS (Continued)

DESCRIPTION	PAGE
<b>V</b>	
VALVE	
HIGH AND LOW .....	5-15
HYDROSTATIC TRANSMISSION.....	5-42
VALVE COVER	
DIESEL .....	2-22
VALVE COVER AND INLET MANIFOLD	
LPG.....	2-64
<b>W</b>	
WATER SEPARATOR.....	3-12
WIRE HARNESS	
AUXILIARY LIGHTS	
WORKLIGHTS .....	12-78
BRAKE PRESSURE SWITCH.....	4-107
CLOSED LOOP	
S/N K005A07051A⇒.....	4-63
DIAGNOSTIC.....	4-65
DIESEL ENGINE	
⇒S/N K005A-04694Y .....	4-36
S/N K005A-04695Y⇒ .....	4-38
ENGINE, GM V6, 4.3L	
SHEET 1 OF 2	
⇒S/N K005A-03863Y .....	4-40
SHEET 2 OF 2	
⇒S/N K005A-03863Y .....	4-42
ENGINE, LPG, GM V6, 4.3L	
SHEET 1 OF 2	
S/N K005A-03864Y⇔S/N K005A-04695Y .....	4-80
S/N K005A-04695Y⇒.....	4-86
SHEET 2 OF 2	
S/N K005A-03864Y⇔S/N K005A-04695Y .....	4-82
S/N K005A-04695Y⇒.....	4-88
ESOS ADAPTER	
⇒D/B 09/2001.....	4-64
GASOLINE ENGINE	
⇒S/N K005A-03863Y .....	4-48
GASOLINE ENGINE, GM V6	
SHEET 1 OF 2	
S/N K005A-03864Y⇔S/N K005A-04695Y .....	4-66
SHEET 2 OF 2	
S/N K005A-03864Y⇔S/N K005A-04695Y .....	4-70
GASOLINE, GM V6	
SHEET 1 OF 2 .....	4-74
SHEET 2 OF 2 .....	4-76
HYDROSTATIC MODULE.....	4-46
LPG.....	4-50
LPG SWITCH.....	4-62
MODULE POWERSHIFT	
⇒S/N K005A03928Y.....	4-52
SHEET 1 OF 2	
S/N K005A04876Y⇒ .....	4-92

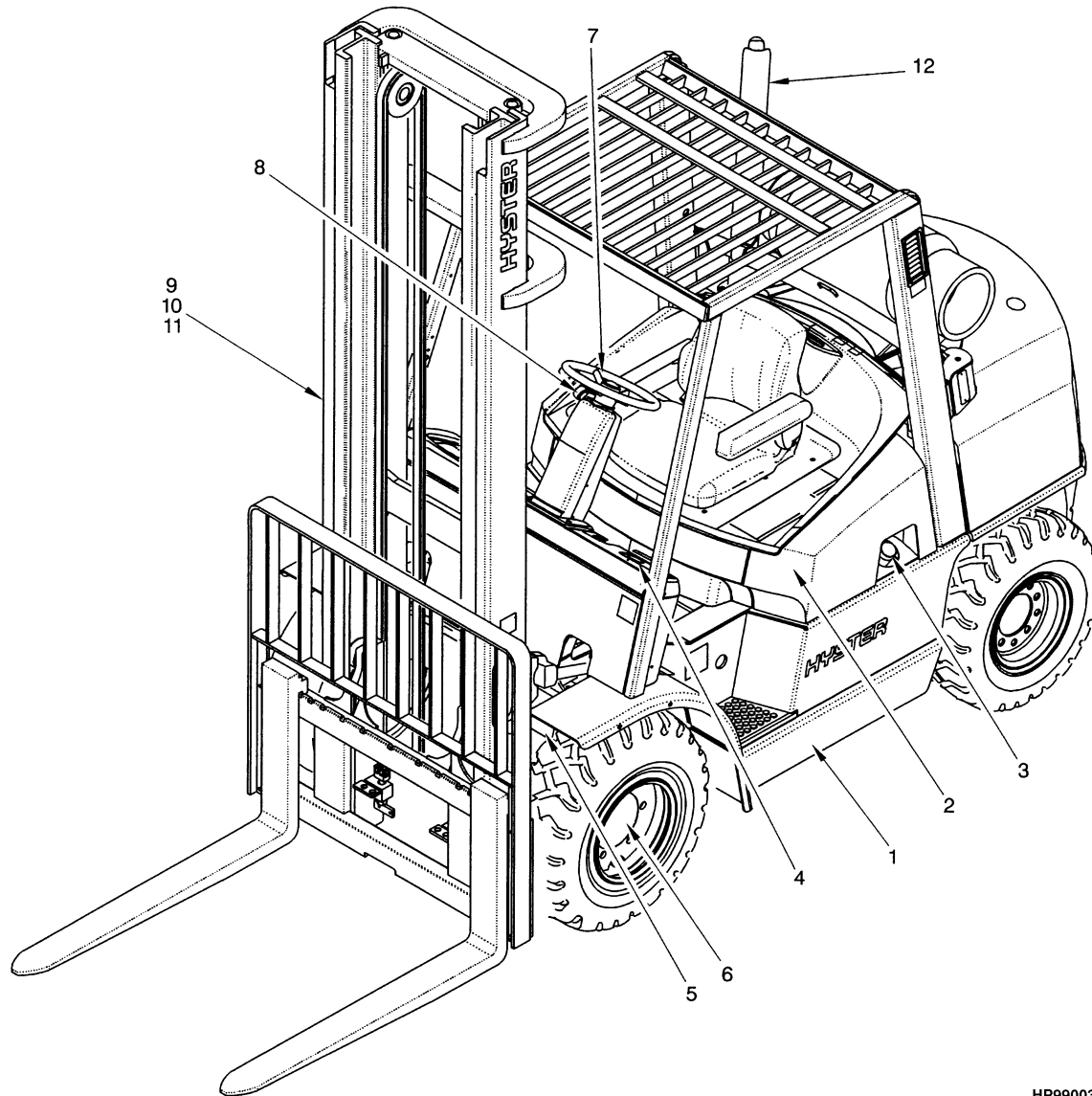
**TABLE OF CONTENTS (Continued)**

DESCRIPTION	PAGE
<b>W</b> (continued)	
SHEET 2 OF 2 S/N K005A04876Y⇒ .....	4-96
MODULE, TYPE S POWERSHIFT	
SHEET 1 OF 2 S/N K005A-03929Y⇔S/N K005A-04876Y .....	4-100
SHEET 2 OF 2 S/N K005A-03929Y⇔S/N K005A-04876Y .....	4-104
PS TRANSMISSION CONTROL .....	4-54
REVERSE ALARM .....	12-56
THROTTLE UP	
⇒S/N K005A05764Z.....	4-56
S/N K005A05765Z⇒.....	4-60

**SECTION 1**  
**FRAME**

DESCRIPTION	PAGE
COUNTERWEIGHT .....	1-22
FLOOR PLATES AND COVERS .....	1-16
FULL SUSPENSION SEAT	
SHEET 1 OF 2 .....	1-6
SHEET 2 OF 2 .....	1-8
GENERAL TRUCK .....	1-2
HOOD AND COVERS .....	1-10
LABELS .....	1-29
NON-SUSPENSION SEAT .....	1-4
OPERATOR COMPARTMENT .....	1-12
OVERHEAD GUARD .....	1-14
SCREEN	
REAR	
⇒S/N K005A-02078 .....	1-24
S/N K005A-02079⇒ .....	1-26
SOUND REDUCTION .....	1-18
UNDERCARRIAGE PAN .....	1-20

## GENERAL TRUCK (Figure 1-1)

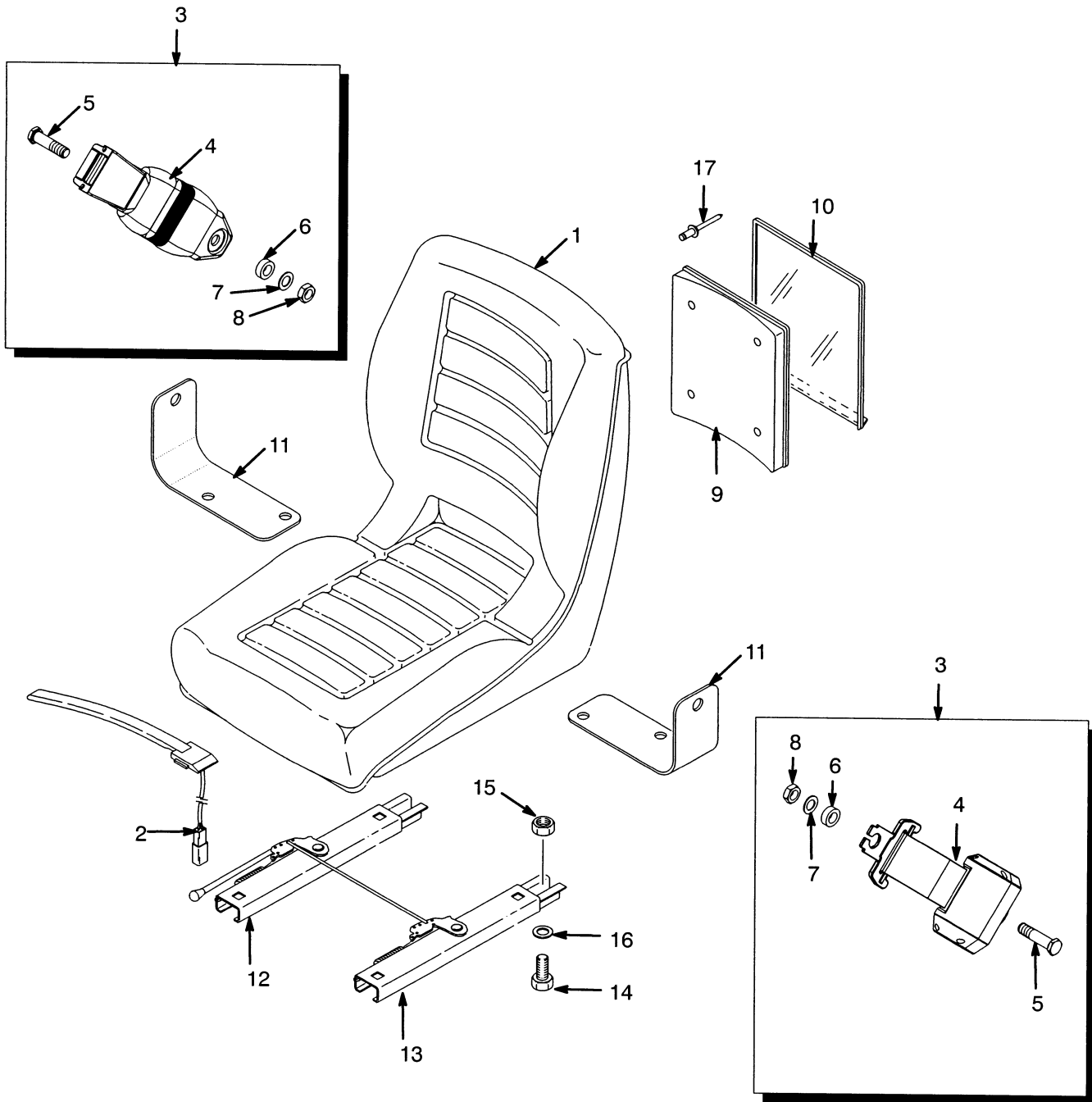


HP990030

ITEM	PART NO.	DESCRIPTION	QTY
1	.....	Frame (☞ Figure 1-8) .....	1
2	.....	Engine (☞ Figure 2-21) .....	1
3	.....	Fuel System (☞ Figure 3-5) .....	1
4	.....	Electrical System (☞ Figure 4-1) .....	1
5	.....	Transmission (☞ Figure 5-1) .....	1
6	.....	Brake System (☞ Figure 7-4) .....	1
7	.....	Steering System (☞ Figure 6-1) .....	1
8	.....	Hydraulic System (☞ Figure 8-1) .....	1
9	.....	Mast-Two Stage Limited Free-Lift (☞ Figure 9-1) .....	1
10	.....	Mast-Three Stage Full Free-Lift (☞ Figure 11-1) .....	1
11	.....	Mast-Two Stage Full Free-Lift (☞ Figure 10-1) .....	1
12	.....	Options (☞ Figure 12-28) .....	1



## NON-SUSPENSION SEAT (Figure 1-2)

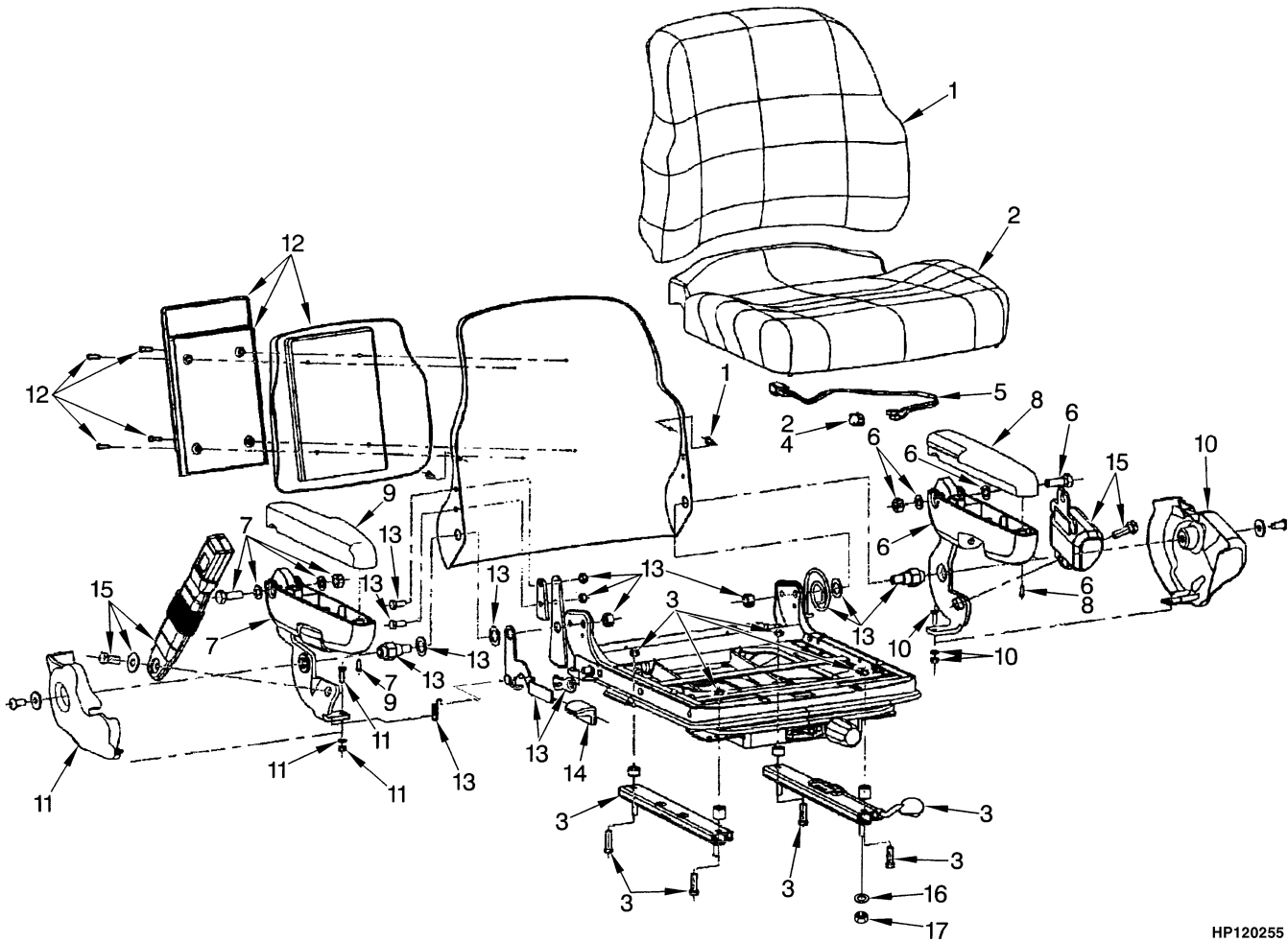


HP120254

**NON-SUSPENSION SEAT**

ITEM	PART NO.	DESCRIPTION	QTY
	1460231	Non-Suspension Seat.....	1
1	364911	Seat.....	1
2	2037311	Switch Assembly .....	1
3	1461081	Seat Belt Kit.....	1
4	.....	Seat Belt .....	1
5	.....	Screw .....	2
6	.....	Washer.....	2
7	.....	Washer.....	2
8	.....	Nut .....	2
9	335988	Base (Information Case) .....	1
10	335991	Cover (Information Case).....	1
11	1470175	Bracket .....	1
12	1470176	Seat Rail.....	1
13	1470177	Seat Rail.....	1
14	18498	Capscrew.....	4
15	145639	Nut .....	4
16	15175	Washer .....	4
17	.....	Rivet.....	4

## FULL SUSPENSION SEAT (Figure 1-3) SHEET 1 OF 2

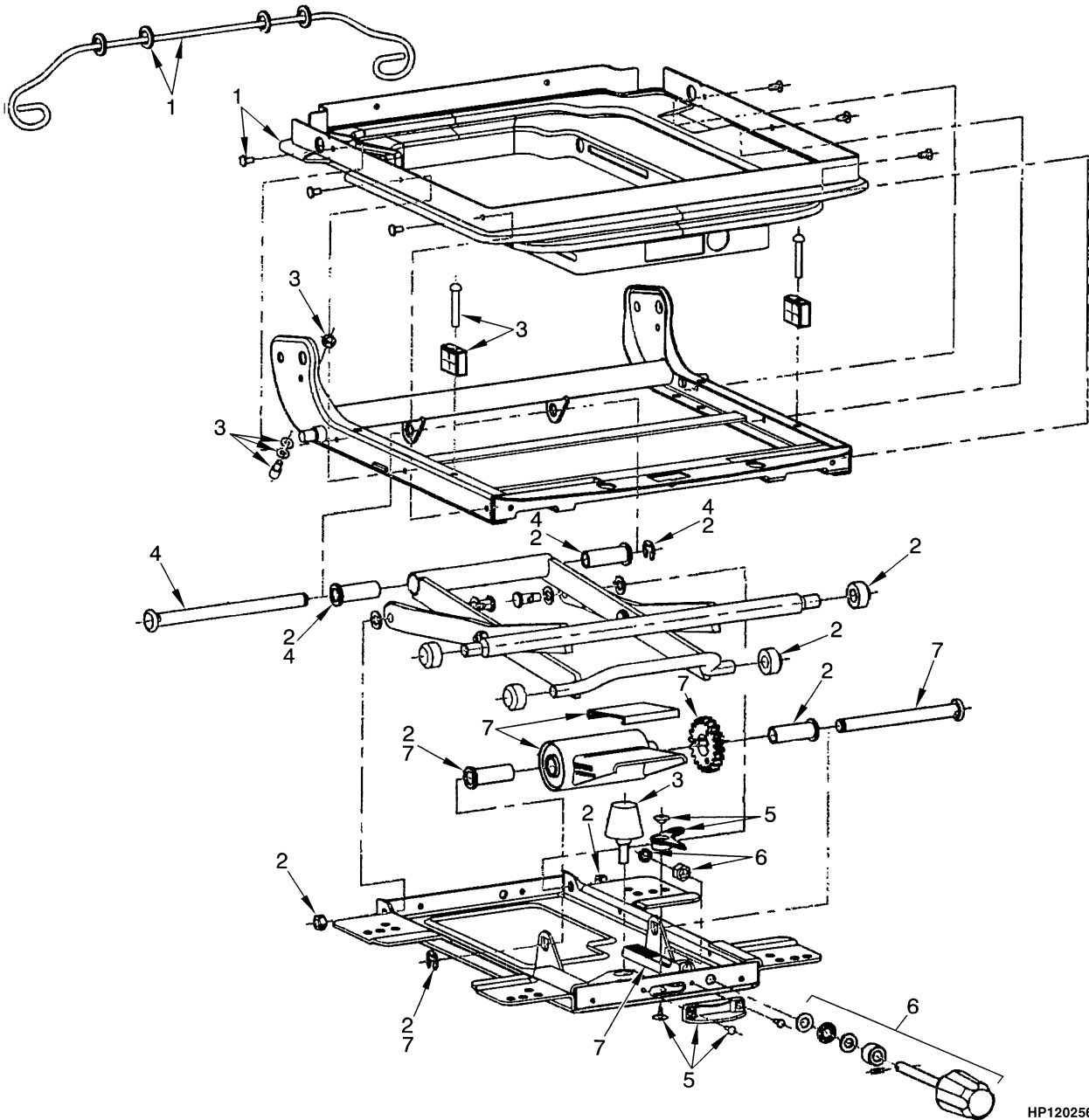


HP120255

**FULL SUSPENSION SEAT  
SHEET 1 OF 2**

ITEM	PART NO.	DESCRIPTION	QTY
	1466006	Full Suspension Seat (Vinyl Cover) .....	1
	1466007	Full Suspension Seat (Fabric Cover) .....	1
1	1467533	Back Cushion (Vinyl) .....	1
1	1467535	Back Cushion (Fabric) .....	1
2	1494076	Seat Cushion (Vinyl).....	1
2	1467536	Seat Cushion (Fabric) .....	1
3	1467513	Slider Kit .....	1
4	1467514	Switch.....	1
5	1467515	Wire Harness .....	1
6	1467516	Armrest (LH) (LH).....	1
7	1467517	Armrest (RH) (RH) .....	1
8	1467518	Cap (LH).....	1
9	1467519	Cap (RH) .....	1
10	1467520	Cover (LH) .....	1
11	1467521	Cover (RH) .....	1
12	1467522	Holder Kit.....	1
13	1467530	Recliner Kit.....	1
14	1467531	Recliner Knob.....	1
15	1467532	Seat Belt Kit.....	1
16	15175	Washer .....	4
17	145639	Nut .....	4

## FULL SUSPENSION SEAT (Figure 1-4) SHEET 2 OF 2

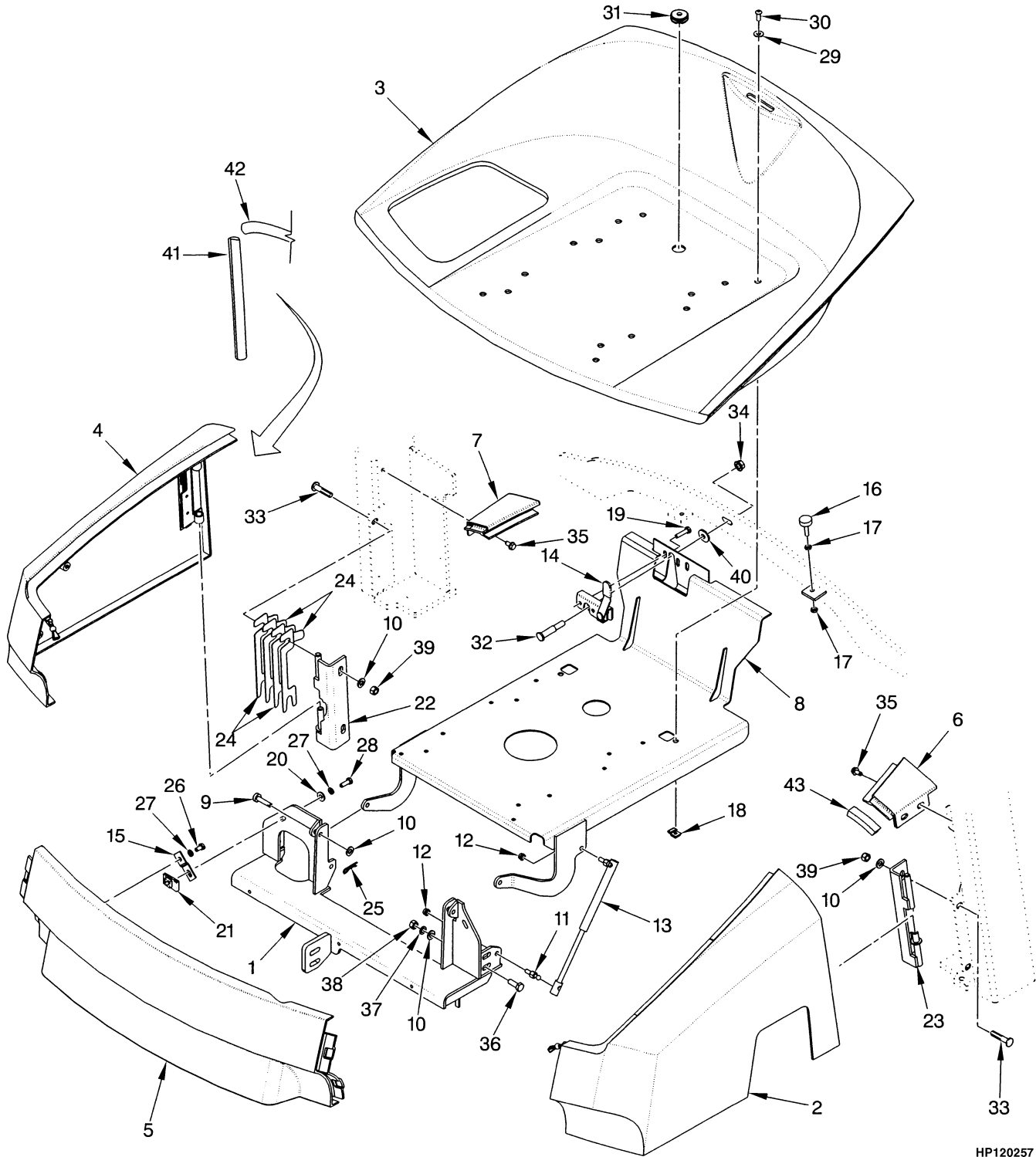


HP120256

**FULL SUSPENSION SEAT  
SHEET 2 OF 2**

ITEM	PART NO.	DESCRIPTION	QTY
	1466006	Full Suspension Seat (Vinyl Cover) .....	1
	1466007	Full Suspension Seat (Fabric Cover) .....	1
1	1467523	Boot Kit.....	1
2	1467524	Roller and Bearing Kit .....	1
3	1467525	Bumper and Stop Kit .....	1
4	1467526	Bearing Shaft Kit .....	1
5	1467527	Weight Adjuster Indicator Kit .....	1
6	1467528	Knob Kit.....	1
7	1467529	Suspension Spring Kit.....	1

## HOOD AND COVERS (Figure 1-5)

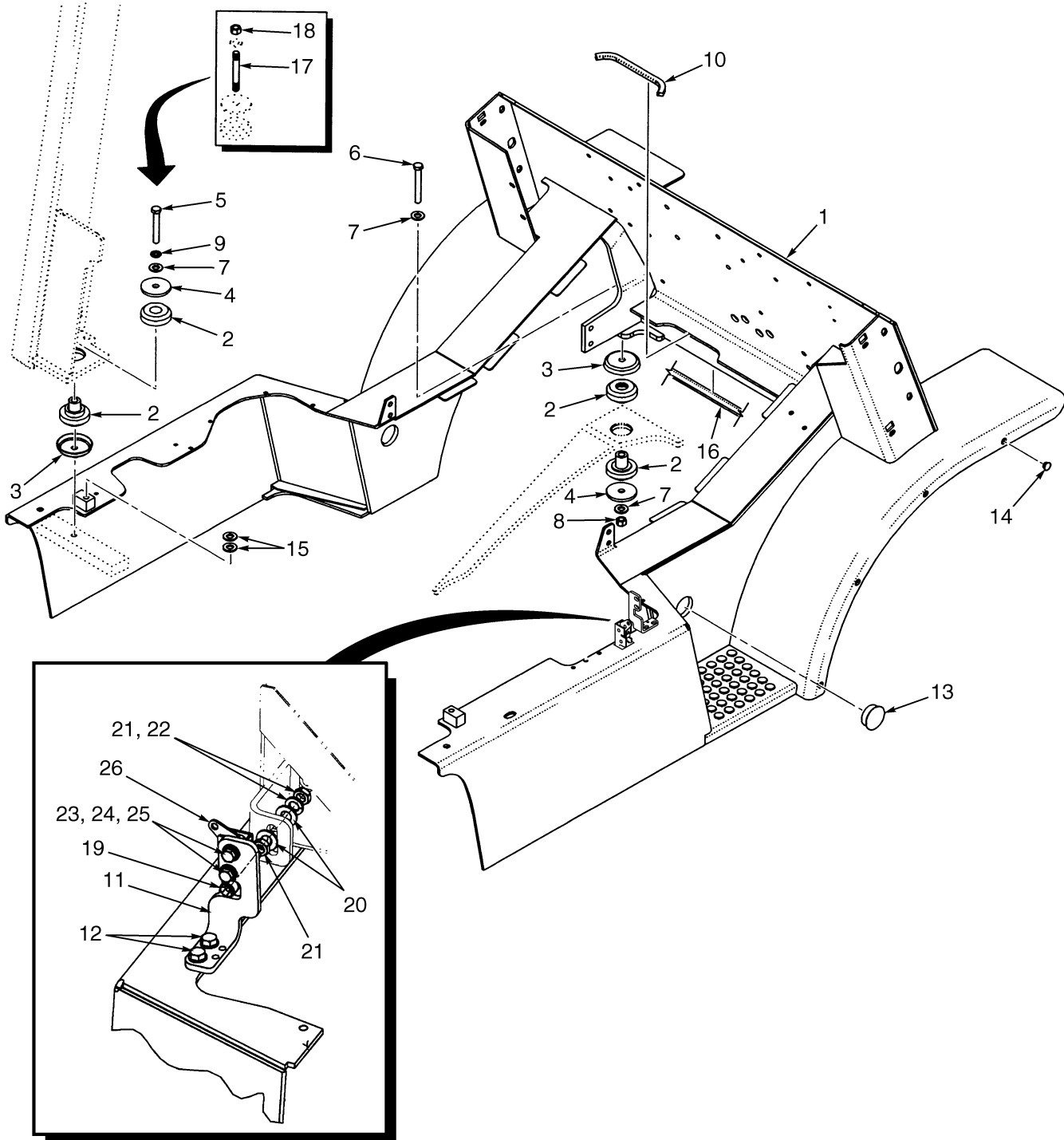


HP120257

**HOOD AND COVERS**

ITEM	PART NO.	DESCRIPTION	QTY
1	1491109	Crossmember .....	1
2	1397957	Panel (LH) (LPG) .....	1
2	1397958	Panel (LH) (Diesel) .....	1
3	1397960	Hood (Vented).....	1
4	1396626	Panel (RH) .....	1
5	1396625	Cover (Front).....	1
5	1392718	Latch (Over Center).....	2
6	1397964	Corner (LH) (Without Cab) .....	1
6	1485280	Corner (LH) (With Cab) .....	1
7	1397963	Corner (RH) (Without Cab).....	1
7	1485281	Corner (RH) (With Cab).....	1
8	1488684	Seat Pan .....	1
9	2021207	Pin .....	2
10	320159	Washer .....	10
11	1350285	Stud (Ball).....	1
12	316835	Nut .....	4
13	1518858	Gas Spring Assembly .....	2
13	1518888	Gas Spring .....	1
13	1513907	Ball Stud .....	2
14	2036143	Latch .....	1
15	2036866	Bracket.....	2
16	1347088	Stop Screw .....	2
17	15001	Nut .....	4
18	1385535	Nut .....	2
19	1529238	Capscrew.....	2
20	320158	Washer .....	4
21	1364259	Clip .....	2
22	1567198	Hinge (RH).....	1
23	1470009	Hinge (LH) .....	1
24	2036142	Shim (1,194 mm) .....	4
25	1362714	Cotter Pin.....	2
26	287851	Capscrew.....	2
27	292681	Lockwasher.....	6
28	136749	Capscrew.....	2
29	375629	Washer .....	2
30	370599	Capscrew.....	2
31	1359587	Grommet.....	1
32	1471866	Striker .....	1
33	220023	Bolt .....	4
34	264144	Nut .....	1
35	316678	Screw.....	4
36	136985	Capscrew.....	8
37	320157	Washer .....	2
38	316826	Nut .....	2
39	156133	Nut .....	8
40	2036863	Washer .....	1
41	1464909	Trim Seal.....	2
42	1396658	Seal .....	2
43	1466416	Seal .....	2

## OPERATOR COMPARTMENT (Figure 1-6)

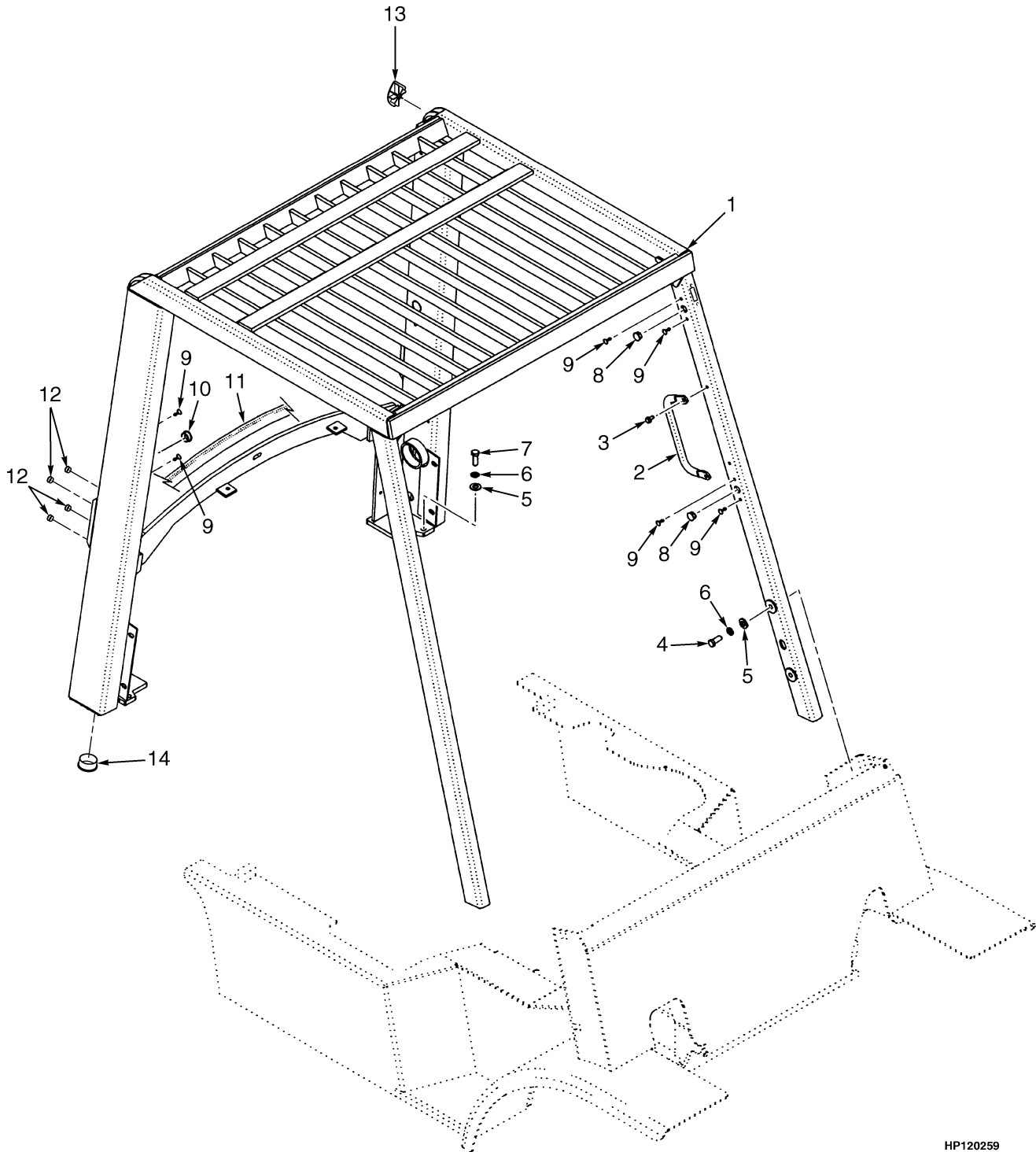


HP120258

**OPERATOR COMPARTMENT****KEY:****A: H3.50XM, H4.00XM-5, H4.00XMS-6****B: H4.00XM-6, H4.50-5.50XM**

ITEM	PART NO.	DESCRIPTION	QTY	
			A	B
1	1493147	Operator Module (1830 mm Short Wheel Base) .....	1	..
1	1493148	Operator Module (2100 mm Long Wheel Base) .....	..	1
2	1378168	Mount.....	4	4
3	1378197	Cup .....	4	4
4	300939	Washer .....	4	4
5	293655	Capscrew.....	2	2
6	293657	Capscrew.....	2	2
7	296423	Washer .....	6	6
8	302402	Nut .....	2	2
9	292683	Lockwasher.....	2	2
10	1396024	Trim.....	1	1
11	1476761	Bracket.....	1	1
12	316678	Screw.....	2	2
13	1398009	Plug .....	2	2
14	1399760	Plug .....	8	8
15	296422	Washer .....	4	4
16	1396657	Seal .....	AR	AR
17	2037998	Stud (Optional) .....	2	2
17	264134	Sealant .....	AR	AR
18	300937	Locknut (Optional) .....	2	2
19	18762	Capscrew.....	1	1
20	15134	Washer .....	2	2
21	15086	Nut .....	2	2
22	15156	Lockwasher.....	1	1
23	18462	Capscrew.....	2	2
24	15154	Lockwasher.....	2	2
25	15127	Washer .....	2	2
26	1476422	Latch (Rotary).....	1	1

## OVERHEAD GUARD (Figure 1-7)



HP120259

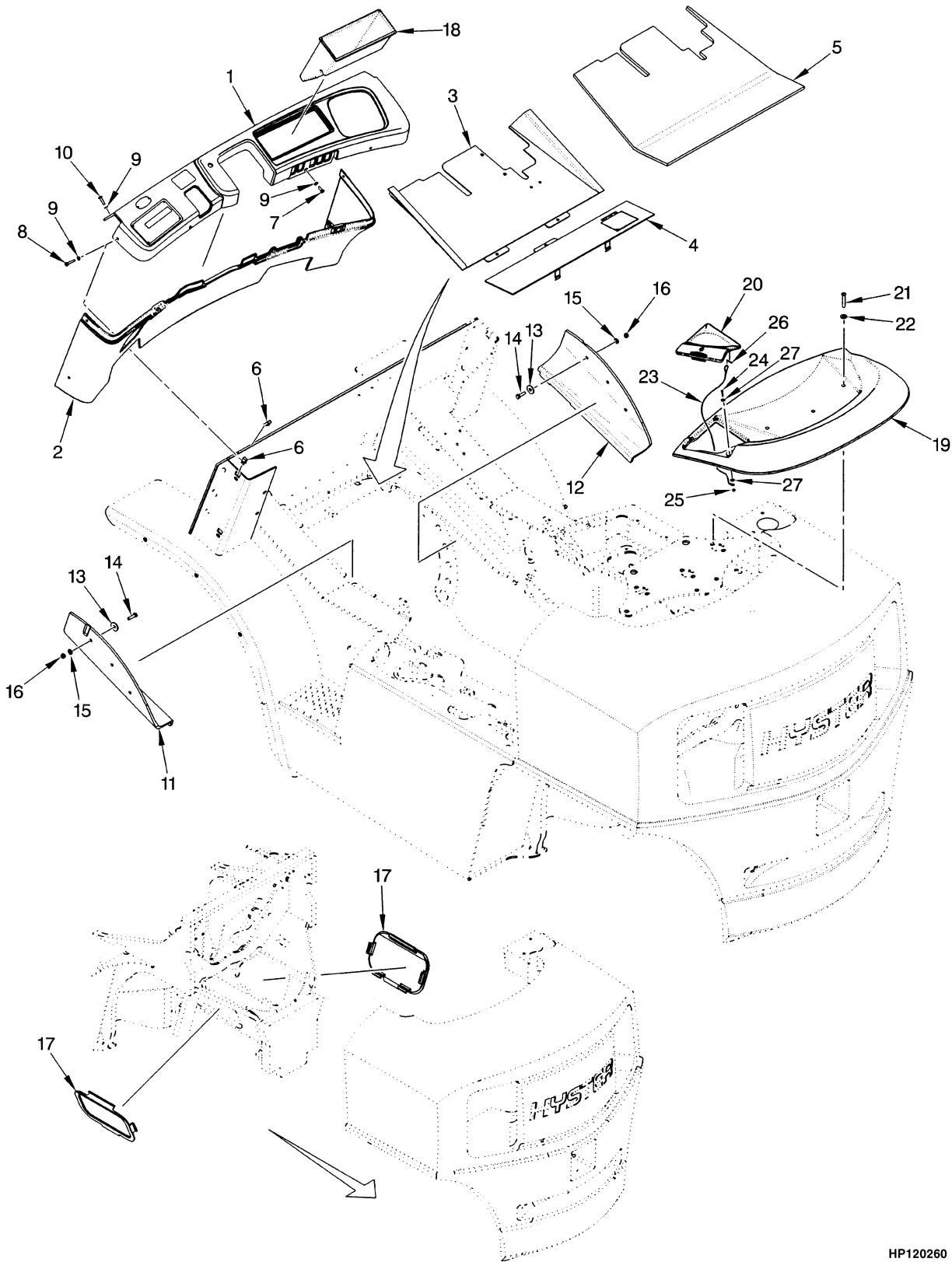
**OVERHEAD GUARD**

ITEM	PART NO.	DESCRIPTION	QTY
1	a 1397720	Overhead Guard (Standard Height).....	1
1	b 1483504	Overhead Guard (Standard Height).....	1
1	a 1396669	Overhead Guard (Raised Height).....	1
1	b 1479585	Overhead Guard (Raised Height).....	1
2	2035800	Handle .....	1
3	316678	Screw.....	2
4	293644	Capscrew.....	4
5	296423	Washer .....	6
6	292683	Lockwasher.....	6
7	293646	Capscrew.....	2
8	1363917	Plug .....	6
9	d 1363916	Plug .....	16
9	e 1363916	Plug .....	14
10	d 1363918	Plug .....	2
10	e 1363918	Plug .....	4
11	1465740	Seal .....	1
12	d 1509037	Plug .....	2
12	e 1494888	Plug .....	2
13	c 1479633	Plug (Top Rail End Cap) .....	2
13	e 1479633	Plug (Top Rail End Cap) .....	4
14	e 1356377	Plug .....	2

**FOOTNOTES:**

- a** ⇒ S/N K005A-03237  
**b** S/N K005A-03238 ⇒  
**c** S/N K005A-03238⇒S/N PENDING PER ECN 92500  
**d** ⇒ D/B 08/2002  
**e** D/B 08/2002 ⇒

## FLOOR PLATES AND COVERS (Figure 1-8)

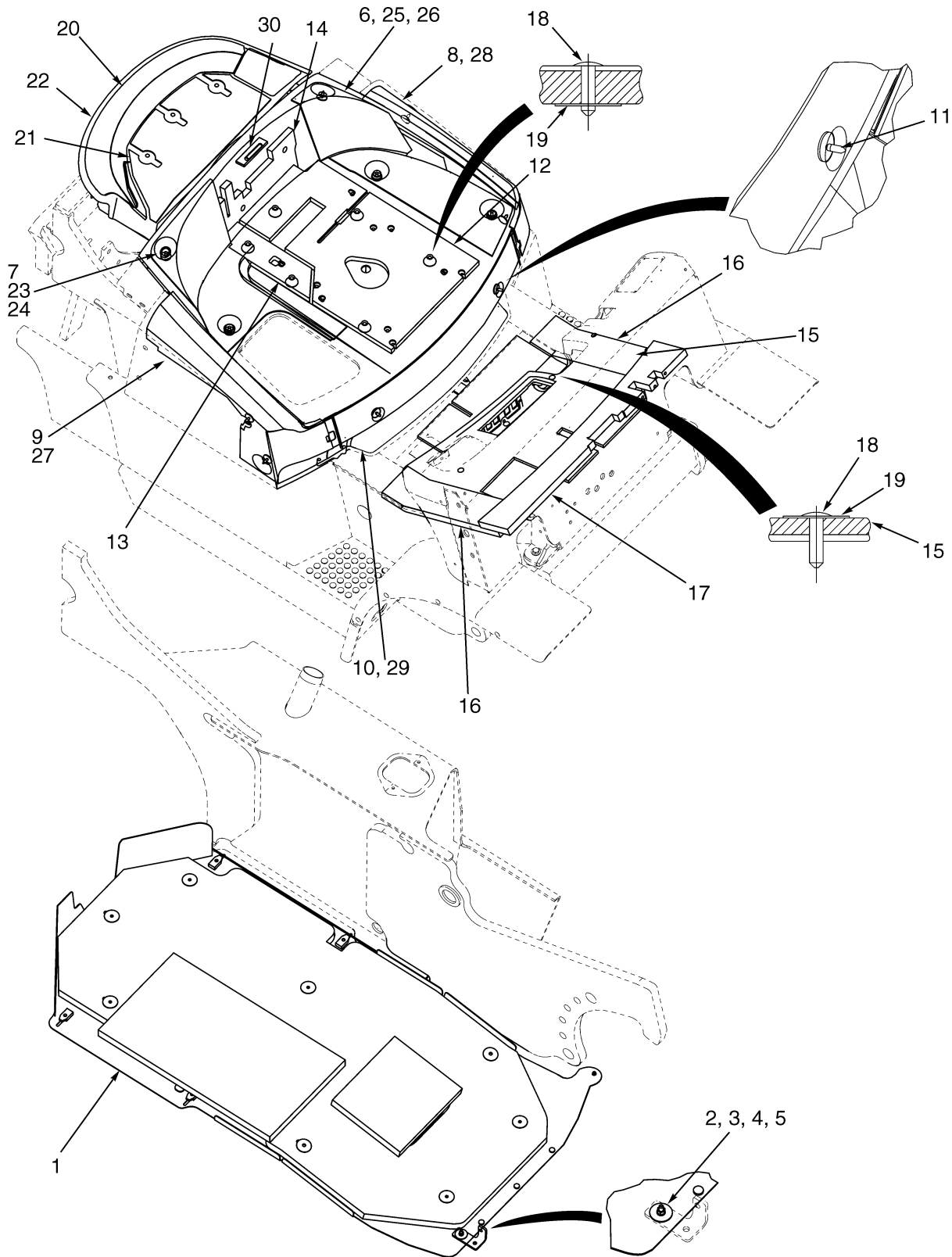


HP120260

**FLOOR PLATES AND COVERS**

ITEM	PART NO.	DESCRIPTION	QTY
1	1396147	Dash .....	1
2	1396148	Cowl Panel.....	1
3	2035798	Floorplate (Front).....	1
4	2035980	Floorplate.....	1
5	1396641	Floormat .....	1
6	1350215	Nut (Foldover).....	6
7	1525246	Screw.....	3
8	1525248	Screw.....	4
9	1399399	Washer .....	9
10	1525247	Screw.....	2
11	1399337	Flap (RH Cylinder).....	1
12	1399338	Flap (LH Cylinder) .....	1
13	1334790	Washer .....	6
14	176640	Capscrew.....	6
15	320157	Washer .....	6
16	302400	Locknut .....	6
17	2036875	Cover .....	2
18	1338286	Storage Compartment (For OHG Only).....	1
18	1400207	Cover (For Cabs Only).....	1
19	1385498	Cover (Radiator) .....	1
20	1396009	Radiator Cap Door (LPG) .....	1
20	1396012	Radiator Cap Door (Diesel) .....	1
21	1464899	Capscrew.....	3
22	375629	Washer .....	3
23	1400180	Lanyard.....	1
24	296510	Screw.....	1
25	302398	Nut .....	1
26	15212	Cotter Pin.....	1
27	320156	Washer .....	2

## SOUND REDUCTION (Figure 1-9)

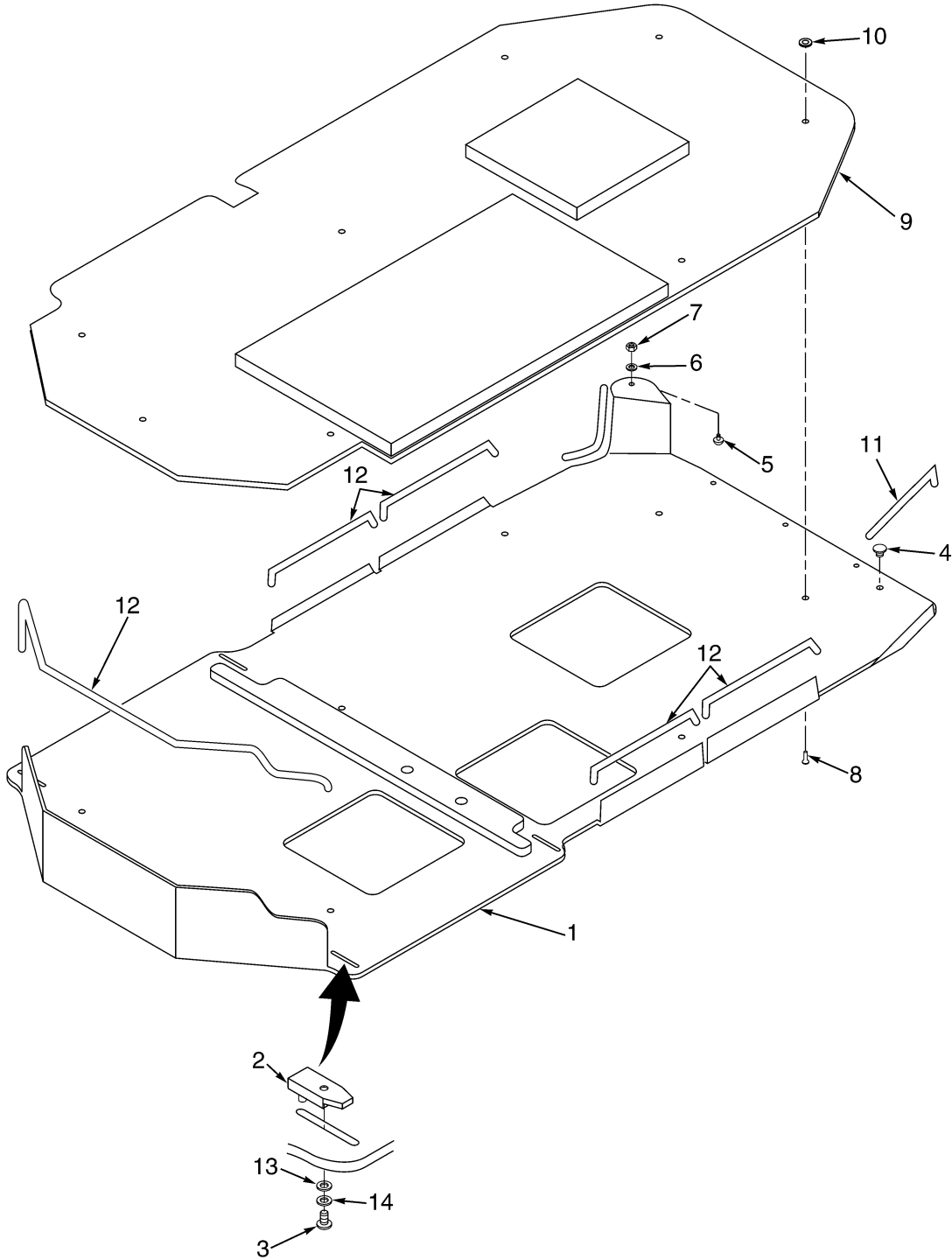


HP120637

**SOUND REDUCTION****KEY:****A: 1830 mm Short Wheel Base****B: 2100 mm Long Wheel Base**

ITEM	PART NO.	DESCRIPTION	QTY	
			A	B
1	1399809	Undercarriage Pan (☞ Figure 1-10) .....	1	..
1	1399810	Undercarriage Pan (☞ Figure 1-10) .....	..	1
2	293603	Capscrew .....	1	1
3	2034906	Washer .....	2	2
4	292680	Lockwasher .....	1	1
5	136687	Nut.....	1	1
6	1400151	Liner (LH Hood).....	1	1
7	1400152	Liner (RH Hood).....	1	1
8	1400153	Liner (LH Door Panel) .....	1	1
9	1400154	Liner (RH Door Panel).....	1	1
10	1400155	Liner (Front Cover) .....	1	1
11	1304971	Fastener .....	11	11
12	1468020	Sound Liner (Seat) .....	1	1
13	1468021	Sound Liner (Seat) .....	1	1
14	1468022	Sound Liner (Seat) .....	1	1
15	1468023	Sound Liner (Floor Plate) .....	1	1
16	1468024	Sound Liner (Floor Plate) .....	2	2
17	1468025	Cowl Barrier.....	1	1
18	1399815	Rivet .....	15	15
19	1399784	Washer .....	15	15
20	1468032	Sound Liner (Radiator Cover) .....	1	1
21	1468033	Sound Liner (Radiator Barrier) .....	1	1
22	1382126	Seal .....	AR	AR
23	1467338	Barrier (RH Seat Panel) .....	1	1
24	1467340	Barrier (RH Seat Panel) .....	1	1
25	1467342	Barrier (LH Seat Panel) .....	1	1
26	1467343	Barrier (LH Seat Panel) .....	1	1
27	1467344	Barrier (RH Door Panel).....	1	1
28	1467345	Barrier (LH Door Panel).....	1	1
29	1467347	Barrier (Front Panel).....	1	1
30	1490766	Pad (Latch).....	1	1
	1468027	Barrier Kit (Includes Items 23-30).....	1	1

## UNDERCARRIAGE PAN (Figure 1-10)



HP120636



**Suggest:**

**For more complete manuals. Please go to the home page.**

**<https://www.ebooklibonline.com>**

**If the above button click is invalid. Please download this document first, and then click the above link to download the complete manual.**

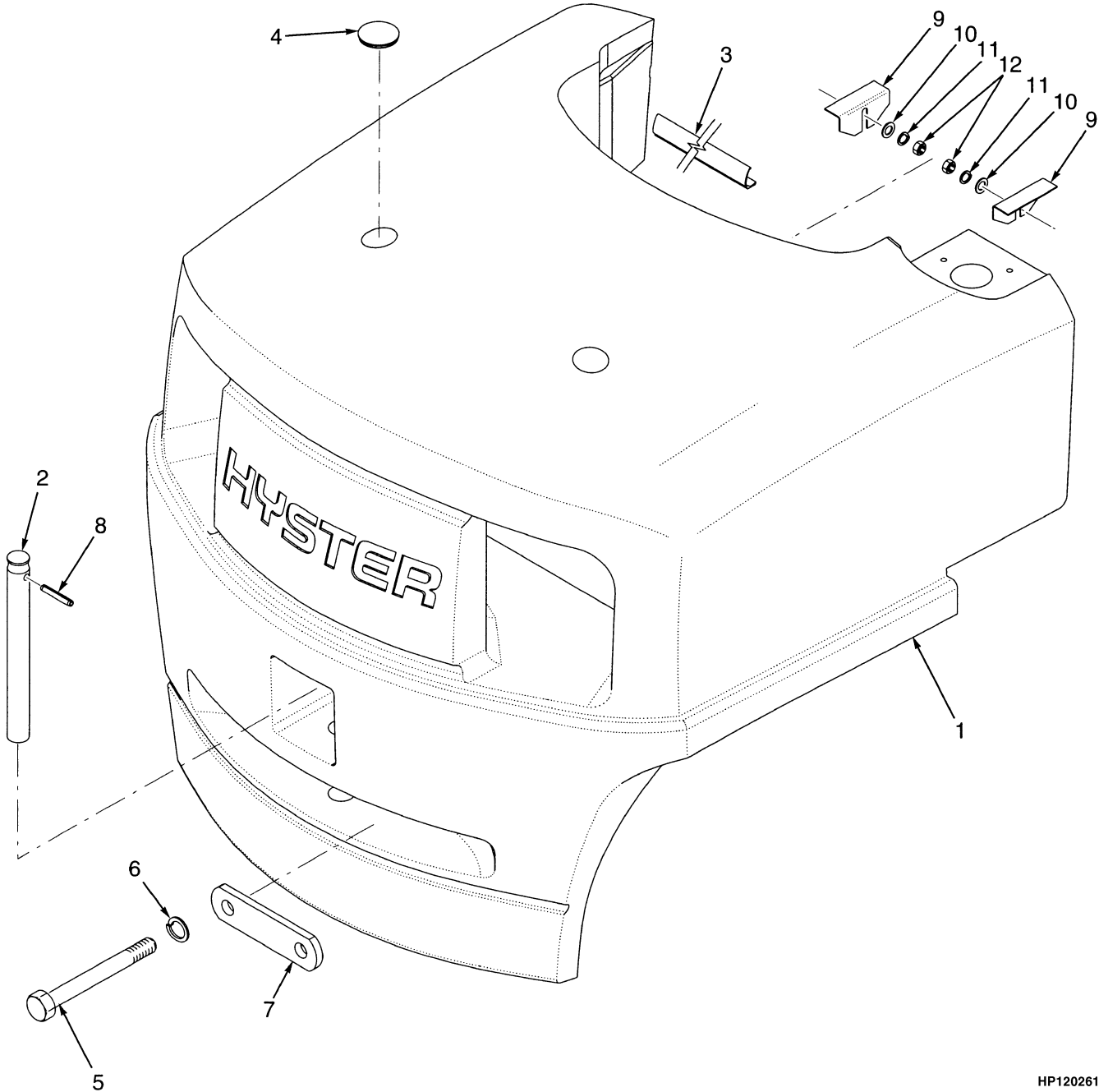
**Thank you so much for reading**

**UNDERCARRIAGE PAN****KEY:****A: 1830 mm Short Wheel Base****B: 2100 mm Long Wheel Base**

ITEM	PART NO.	DESCRIPTION	QTY	
			A	B
	<b>a</b> 1399809	Undercarriage Pan (Assembly).....	1	..
	<b>b</b> 1399810	Undercarriage Pan (Assembly).....	..	1
1	1397647	Pan .....	1	..
1	1397651	Pan .....	..	1
2	1399818	Nut.....	4	4
3	1399820	Capscrew .....	4	4
4	1399817	Bumper.....	3	3
5	1399816	Screw .....	1	1
6	320155	Washer .....	1	1
7	302398	Nut.....	1	1
8	1399815	Rivet .....	8	8
9	1399813	Liner .....	1	..
9	1399814	Liner .....	..	1
10	1399784	Washer .....	8	8
11	1399829	Edge Strip (250 mm) .....	2	2
12	1399830	Edge Strip (420 mm) .....	4	4
13	320156	Washer .....	4	6
14	292680	Lockwasher .....	4	6

**FOOTNOTES:****a** H3.50XM-H4.00XMS-6**b** H4.00XMS-H5.50XM

## COUNTERWEIGHT (Figure 1-11)



HP120261

**<https://www.ebooklibonline.com>**

Hello dear friend!

Thank you very much for reading.

Enter the link into your browser.

The full manual is available for immediate download.

**<https://www.ebooklibonline.com>**