

# **PARTS MANUAL**

---

## **ELECTRIC**

**J1.60-2.00XMT  
(G160)**

**CUSTOMER EDITION**

---

# ***HYSTER***

**SECTIONS**

<b>1</b>	<b>FRAME</b>
<b>2</b>	<b>ELECTRICAL SYSTEM</b>
<b>3</b>	<b>DRIVE UNIT</b>
<b>4</b>	<b>STEERING SYSTEM</b>
<b>5</b>	<b>BRAKE/ACCELERATOR SYSTEM</b>
<b>6</b>	<b>HYDRAULIC SYSTEM</b>
<b>7</b>	<b>MAST-TWO STAGE LIMITED FREE-LIFT</b>
<b>8</b>	<b>MAST-THREE STAGE FULL FREE-LIFT</b>
<b>9</b>	<b>MAST-TWO STAGE FULL FREE-LIFT</b>
<b>10</b>	<b>OPTIONS</b>
<b>11</b>	<b>NUMERICAL INDEX</b>

**TABLE OF CONTENTS**

DESCRIPTION	PAGE
<b>A</b>	
ACCELERATOR/MONOTROL PEDAL	
D/B 11/2002⇒ .....	5-6
⇒D/B 11/2002 .....	5-4
<b>B</b>	
BACK-UP ALARM .....	10-14
BATTERY COMPARTMENT .....	1-2
BATTERY CONNECTOR .....	2-16
BRAKE ASSEMBLY .....	5-17
BRAKE MASTER CYLINDER .....	5-10
BRAKE PEDAL LINKAGE .....	5-8
<b>C</b>	
CALIPER ASSEMBLY	
FOOT-OPERATED PARKING BRAKE.....	5-15
CARRIAGE	
THREE STAGE FULL FREE-LIFT .....	8-14
TWO STAGE FULL FREE-LIFT .....	9-14
TWO STAGE LIMITED FREE-LIFT.....	7-8
CONTACTOR PANEL .....	2-8
CONTROL VALVE	
FOUR SPOOL .....	6-14
THREE SPOOL .....	6-12
CONTROL VALVE LINKAGE	
THREE AND FOUR FUNCTION	
D/B 10/2002⇒.....	6-8
⇒D/B 10/2002.....	6-4
COUNTERWEIGHT .....	1-6
<b>D</b>	
DASH DISPLAY .....	2-24
DC CONVERTER	
36/48 VOLT TO 12 VOLT .....	10-18
DECAL AND PLATE LOCATION.....	1-14
DRIVE TIRE AND WHEEL ASSEMBLY	
PNEUMATIC	
J1.60XMT, J1.80XMT .....	3-4
SOLID PNEUMATIC .....	3-7
SUPER CUSHION	
J1.60XMT, J1.80XMT .....	3-5
J2.00XMT .....	3-6
DRIVE TIRE AND WHEEL MOUNTING .....	3-3
<b>E</b>	
ELECTRICAL ASSEMBLY	
⇒S/N G160A04521Y .....	2-2
S/N G160A04522Y⇒.....	2-4

**<https://www.ebooklibonline.com>**

Hello dear friend!

Thank you very much for reading.

Enter the link into your browser.

The full manual is available for immediate download.

**<https://www.ebooklibonline.com>**

## TABLE OF CONTENTS (Continued)

DESCRIPTION	PAGE
<b>F</b>	
FORK ASSEMBLY	
D/B 10/2001⇒ .....	1-18
⇒D/B 10/2001 .....	1-17
FREE LIFT	
THREE STAGE FULL FREE-LIFT .....	8-6
TWO STAGE FULL FREE-LIFT .....	9-6
FREE LIFT CYLINDER	
THREE STAGE FULL FREE-LIFT .....	8-12
TWO STAGE FULL FREE-LIFT .....	9-12
FRONT LIGHTS .....	10-4
<b>H</b>	
HANDLEVER.....	6-2
HEADER HOSE	
THREE STAGE FULL FREE-LIFT .....	8-18
TWO STAGE FULL FREE-LIFT .....	9-18
TWO STAGE LIMITED FREE-LIFT.....	7-12
HEADER HOSE ATTACHING PARTS .....	6-50
HYDRAULIC CALIPER ASSEMBLY.....	5-2
HYDRAULIC HOSE AND FITTINGS.....	6-46
HYDRAULIC MOTOR	
12 CC	
D/B 06/2001⇒.....	6-26
⇒D/B 06/2001 .....	6-18
19 CC	
D/B 06/2001⇒.....	6-24
⇒D/B 06/2001.....	6-20
HYDRAULIC PUMP	
19 CC	
OPTIONAL .....	6-38
HYDRAULIC PUMP ASSEMBLY	
12 CC	
OPTIONAL .....	6-30
SPLINED SHAFT	
S/N G160A05617A⇒.....	6-32
STANDARD .....	6-28
19 CC	
D/B 06/2000⇒.....	6-36
⇒D/B 06/2000.....	6-34
HYDRAULIC SYSTEM .....	6-42
<b>I</b>	
INNER AND OUTER MAST	
TWO STAGE FULL FREE-LIFT .....	9-2
TWO STAGE LIMITED FREE-LIFT.....	7-2
INNER, INTERMEDIATE, AND OUTER MAST	
THREE STAGE FULL FREE-LIFT .....	8-2
INTEGRAL SIDE-SHIFT CARRIAGE	
THREE STAGE FULL FREE-LIFT .....	8-22
TWO STAGE FULL FREE-LIFT .....	9-20
TWO STAGE LIMITED FREE-LIFT.....	7-14

**TABLE OF CONTENTS (Continued)**

DESCRIPTION	PAGE
I (continued)	
INTEGRAL SIDE-SHIFT HYDRAULIC HOSES	
THREE STAGE FULL FREE-LIFT .....	8-24
TWO STAGE FULL FREE-LIFT .....	9-22
TWO STAGE LIMITED FREE-LIFT .....	7-17
L	
LIFT CYLINDER	
TWO STAGE FULL FREE-LIFT .....	9-8
LIFT PUMP AND MOTOR ATTACHING PARTS .....	6-22
LIFT PUMP CONTACTOR ASSEMBLY .....	2-10
LIGHTING SYSTEM .....	10-2
LINE CONTACTOR .....	2-20
LOAD BACKREST EXTENSION .....	1-16
M	
MAIN CYLINDER	
THREE STAGE FULL FREE-LIFT .....	8-8
TWO STAGE LIMITED FREE-LIFT .....	7-6
MAIN LIFT	
THREE STAGE FULL FREE-LIFT .....	8-4
TWO STAGE FULL FREE-LIFT .....	9-4
TWO STAGE LIMITED FREE-LIFT .....	7-4
MASTER DRIVE UNIT .....	3-2
MOTOR COOLING FAN .....	10-16
N	
NON-SUSPENSION SEAT .....	1-10
O	
OVERHEAD GUARD .....	1-8
P	
PARKING BRAKE	
FOOT-OPERATED .....	5-12
POWER STEERING ASSEMBLY	
WITH ON DEMAND CONTROL .....	2-12
WITHOUT ON DEMAND CONTROL .....	2-14
POWER STEERING CONTACTOR .....	2-22
PUMP CONTACTOR .....	2-18
R	
REAR DRIVING LIGHT .....	10-6
S	
SHIFT LEVER .....	4-10
SIDE-SHIFT ASSEMBLY .....	6-52
SIDE-SHIFT CYLINDER .....	7-16
SIDE-SHIFT CYLINDER ASSEMBLY	

## TABLE OF CONTENTS (Continued)

DESCRIPTION	PAGE
<b>S (continued)</b>	
D/B 10/2000⇒ .....	6-55
⇒D/B 10/2000 .....	6-54
SPOTLIGHT .....	10-12
STEER AXLE	
⇒S/N G160A-03109W.....	4-20
S/N G160A-04528Y⇒.....	4-22
⇒S/N G160A04527Y.....	4-16
STEER TIRE AND WHEEL ASSEMBLY .....	4-34
STEER TIRE AND WHEEL PNEUMATIC .....	4-35
STEERING COLUMN.....	4-6
STEERING HAND PUMP.....	4-8
STEERING HYDRAULIC SYSTEM	
D/B 02/2002⇒ .....	4-4
⇒D/B 02/2002 .....	4-2
STEERING MOTOR	
PREMIUM	
D/B 08/2002⇒.....	4-32
⇒D/B 08/2002.....	4-30
STANDARD	
D/B 08/2002⇒.....	4-28
⇒D/B 08/2002.....	4-26
STEERING PUMP	
⇒S/N G160A-03909.....	4-12
S/N G160A-03910⇒.....	4-14
STROBE LIGHT/REAR LIGHT COMBINATION.....	10-8
SUSPENSION SEAT .....	1-12
<b>T</b>	
TAIL, BRAKE, AND BACK-UP LIGHTS.....	10-10
TILT CYLINDER ASSEMBLY .....	6-39
TILT CYLINDER ATTACHING PARTS	
THREE STAGE FULL FREE-LIFT .....	8-16
TWO STAGE FULL FREE-LIFT .....	9-16
TWO STAGE LIMITED FREE-LIFT.....	7-10
TRACTION MOTOR	
PREMIUM	
⇒S/N G160A-04088Y .....	3-14
S/N G160A-4089Y⇒.....	3-16
STANDARD	
⇒S/N G160A-04088Y .....	3-12
TRANSMISSION .....	3-8
<b>W</b>	
WHEEL AND TIRE ASSEMBLY	
SOLID PNEUMATIC .....	4-36
WIRE HARNESS	
MAIN	
SHEET 1 OF 2	
⇒S/N G160A04521Y.....	2-26

**TABLE OF CONTENTS (Continued)**

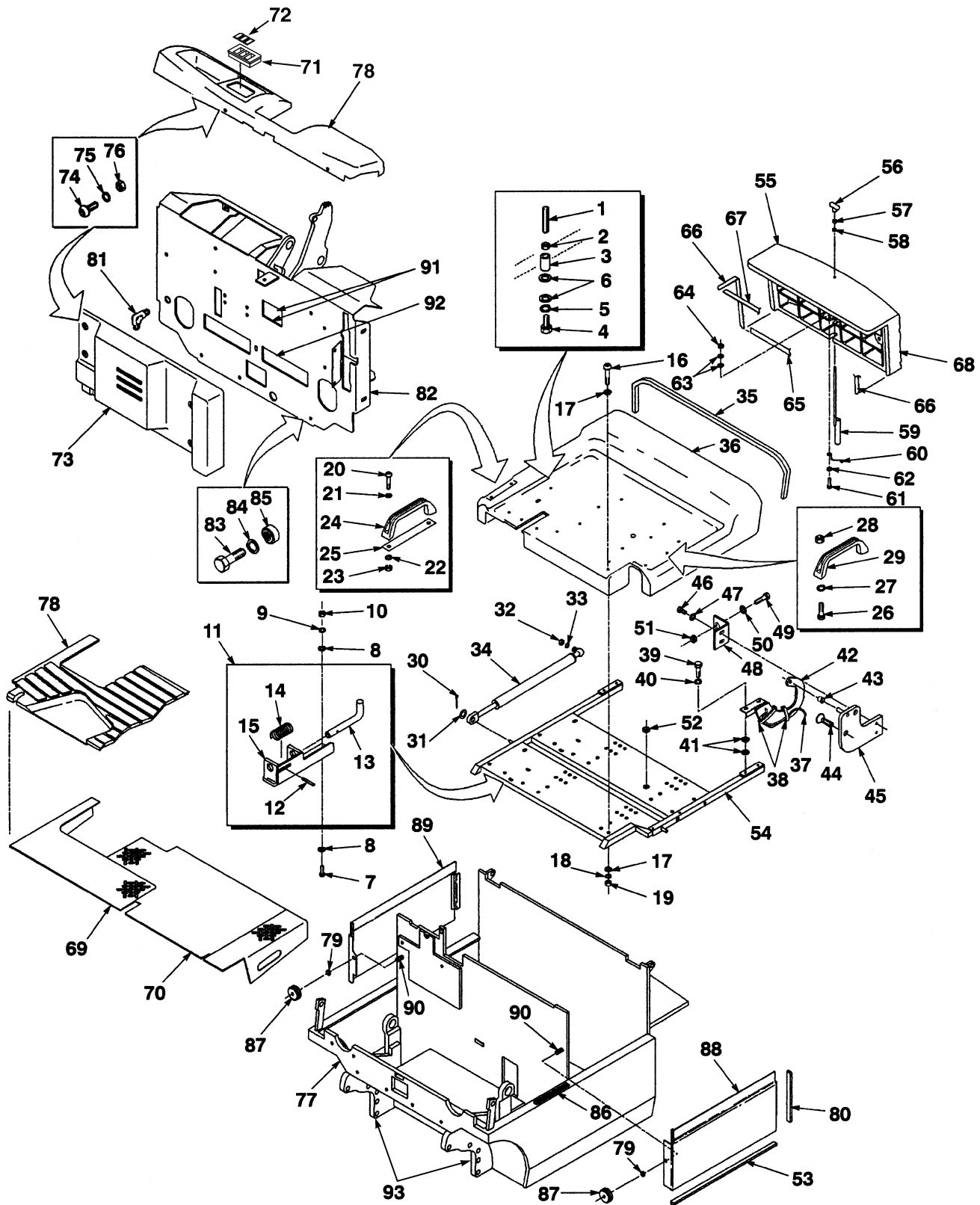
---

<b>DESCRIPTION</b>	<b>PAGE</b>
<b>W</b> (continued)	
SHEET 1 OF 2	
S/N G160A04522Y⇒.....	2-30
SHEET 2 OF 2	
⇒S/N G160A04521Y.....	2-28
S/N G160A04522Y⇒.....	2-32

**SECTION 1**  
**FRAME**

<b>DESCRIPTION</b>	<b>PAGE</b>
BATTERY COMPARTMENT .....	1-2
COUNTERWEIGHT .....	1-6
DECAL AND PLATE LOCATION .....	1-14
FORK ASSEMBLY	
D/B 10/2001⇒ .....	1-18
⇒D/B 10/2001 .....	1-17
LOAD BACKREST EXTENSION.....	1-16
NON-SUSPENSION SEAT .....	1-10
OVERHEAD GUARD.....	1-8
SUSPENSION SEAT .....	1-12

## BATTERY COMPARTMENT (Figure 1-1)



BP120037

**BATTERY COMPARTMENT****KEY:****A: 1495 mm Wheel Base (J1.80-2.00XMT)****B: 1385 mm Wheel Base (J1.60XMT)**

ITEM	PART NO.	DESCRIPTION	QTY	
			A	B
1	2309936	Stud .....	1	1
2	15026	Nut .....	1	1
3	2309977	Bushing.....	1	1
4	16634	Capscrew.....	1	1
5	15156	Lockwasher.....	1	1
6	15176	Washer .....	2	2
7	136749	Capscrew.....	2	2
8	320157	Washer .....	4	4
9	292681	Lockwasher.....	2	2
10	239503	Nut .....	2	2
11	2311028	Latch.....	1	1
12	19981	Pin .....	1	1
13	2305068	Pin .....	1	1
14	2307799	Spring .....	1	1
15	2305209	Guide .....	1	1
16	296166	Capscrew.....	5	5
17	320158	Washer .....	10	10
18	292681	Lockwasher.....	5	5
19	292654	Nut .....	5	5
20	292502	Capscrew.....	2	2
21	320156	Washer .....	2	2
22	292680	Lockwasher.....	2	2
23	136687	Nut .....	4	4
24	362030	Handle .....	1	1
25	2310622	Plate .....	1	1
26	293796	Capscrew.....	2	2
27	292680	Lockwasher.....	2	2
28	136687	Nut .....	2	2
29	362030	Handle .....	1	1
30	15223	Cotter Pin.....	2	2
31	320158	Washer .....	2	2
32	239503	Nut .....	2	2
33	292681	Lockwasher.....	2	2
34	<b>c</b> 1467476	Gas Spring.....	2	2
34	<b>b</b> 2031138	Gas Spring.....	2	2
35	261164	Seal .....	1	1
36	2013604	Battery Cover.....	1	..
36	2032486	Battery Cover.....	..	1
37	1463490	Wire Harness.....	1	1
38	137852	Strap Clamp.....	3	2
39	136749	Capscrew.....	4	4
40	292681	Lockwasher.....	4	4
41	320158	Washer .....	8	8
42	2013627	Hinge (LH) .....	1	1
42	2013626	Hinge (RH).....	1	1
43	2310972	Bearing .....	2	2

## BATTERY COMPARTMENT

ITEM	PART NO.	DESCRIPTION	QTY	
			A	B
44	296252	Bolt .....	4	4
45	2013630	Pivot (LH).....	1	1
45	2013629	Pivot (RH) .....	1	1
46	267851	Bolt (Hex Head).....	4	4
47	292681	Lockwasher.....	4	4
48	2013631	Spacer .....	2	2
49	2311598	Screw.....	2	2
50	15176	Washer .....	2	2
51	269200	Nut .....	2	2
52	143413	Grommet.....	1	1
53	261158	Foam Tape.....	AR	AR
54	2032006	Frame .....	1	..
54	2032007	Frame .....	..	1
55	2013642	Cover Assembly.....	1	1
56	2014534	Knob .....	1	1
57	15086	Nut .....	1	1
58	216735	Grommet.....	1	1
59	1452304	Tow Pin .....	1	1
60	2013847	Retainer .....	1	1
61	293603	Capscrew.....	2	2
62	292680	Lockwasher.....	2	2
63	296417	Lockwasher.....	6	6
64	136687	Nut .....	2	2
65	283259	Foam Tape.....	AR	AR
66	2013646	Seal Strip .....	2	2
67	2013644	Seal Strip .....	1	1
68	2013576	Cover .....	1	1
69	2033783	Floorplate (RH).....	1	1
69	<b>a</b> 878803	Floorplate (RH).....	1	1
70	2033076	Floorplate (LH).....	1	1
71	376947	Bezel.....	1	1
72	376949	Cover .....	3	3
73	2307691	Cover (Front).....	1	1
74	302047	Screw.....	4	4
75	320156	Washer .....	6	6
76	136687	Nut .....	6	6
77	1462453	Frame J1.60XMT).....	..	1
77	1462454	Frame (J1.80XMT).....	1	..
77	1462455	Frame (J2.00XMT).....	1	..
78	1462623	Cowl Cover Assembly.....	1	1
78	1462622	Cowl Cover (Front) .....	1	1
79	279737	Grommet.....	2	2
80	261156	Foam Tape.....	AR	AR
81	16458	Fitting.....	1	1
82	1462649	Cowl.....	1	1
83	292515	Capscrew.....	2	2
84	320159	Washer .....	2	2
85	2307638	Fastener.....	2	2
86	2309317	Anti-Slip Pad (Anti-Slip) .....	1	1
87	2014993	Nut .....	2	2
88	2015005	Side Plate (LH) .....	1	..

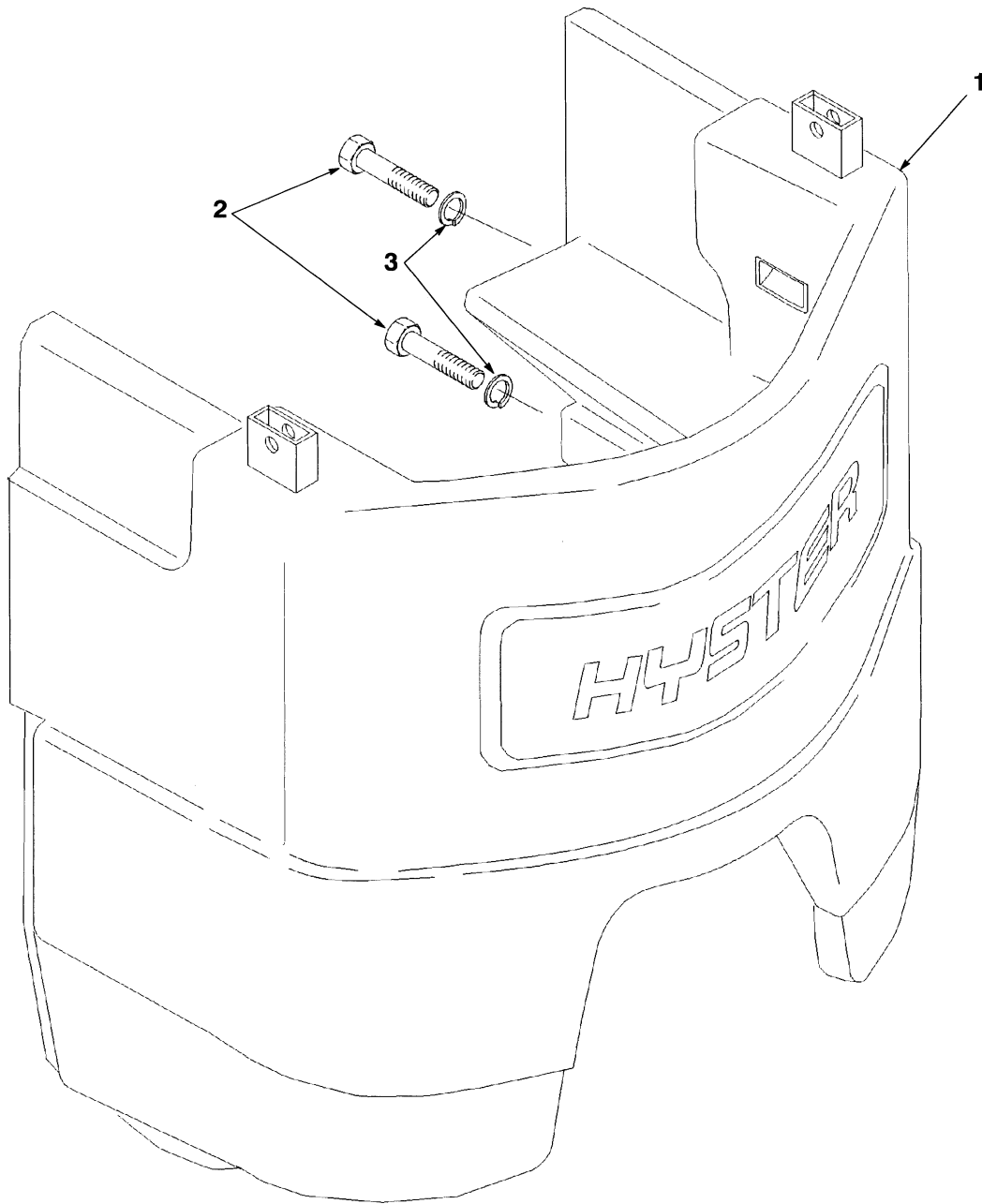
**BATTERY COMPARTMENT**

ITEM	PART NO.	DESCRIPTION	QTY	
			A	B
88	2032103	Side Plate (LH) .....	..	1
89	2014981	Side Plate (RH).....	1	..
89	2014980	Side Plate (RH).....	..	1
90	2302961	Stud .....	2	2
90	136687	Nut .....	2	2
90	320156	Washer .....	2	2
91	2034115	Trim .....	2	2
92	2034116	Trim .....	1	1
93	2034899	Bracket (Tilt Cylinder) .....	2	2
94	2033110	Floor Mat .....	1	1

**FOOTNOTES:**

- a** Used with Motor Cooling Fan Option
- b** ⇒ D/B 06/2000
- c** D/B 06/2000 ⇒

## COUNTERWEIGHT (Figure 1-2)

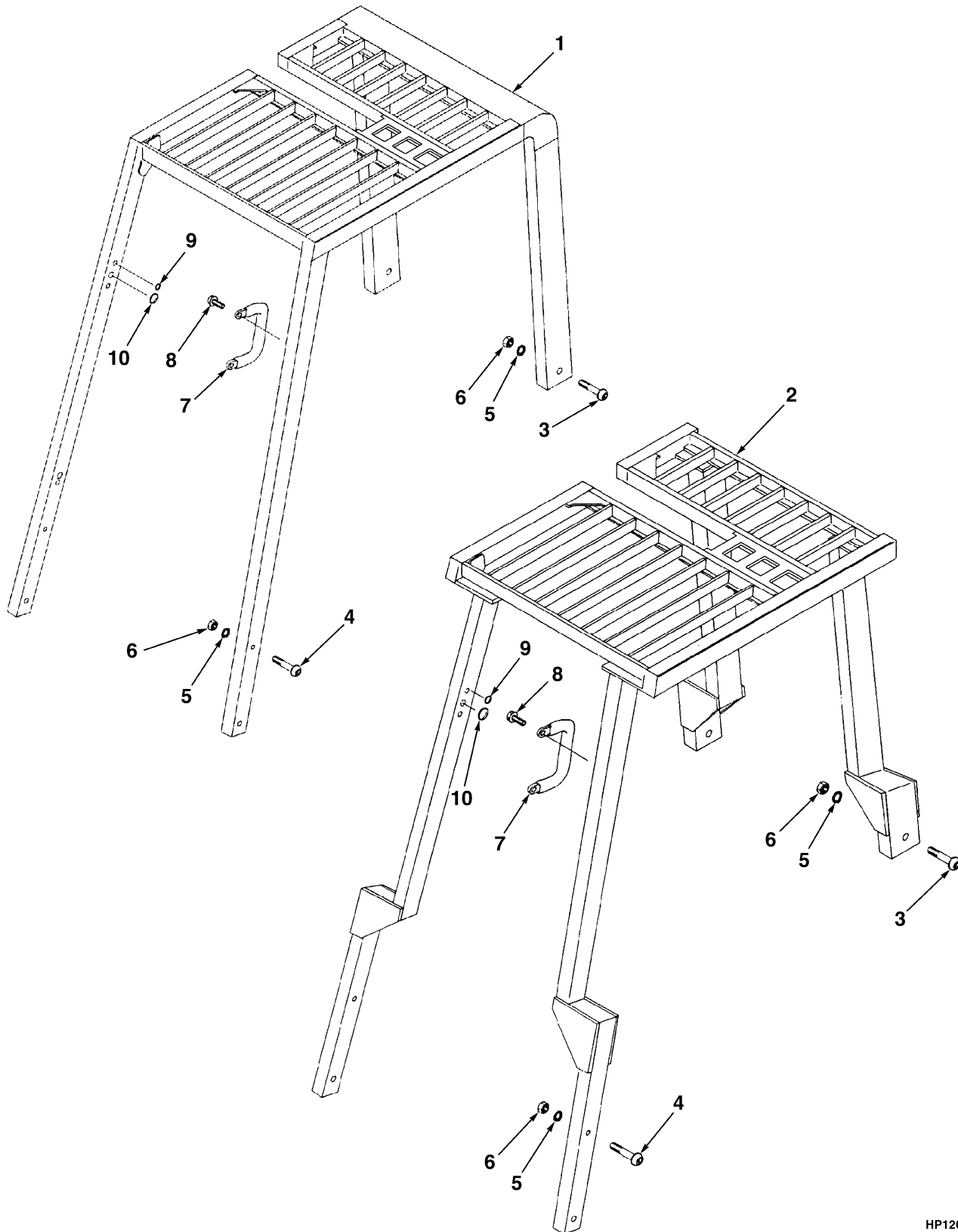


HP120521

ITEM	PART NO.	DESCRIPTION	QTY
1	2013485	Counterweight .....	1
2	293706	Capscrew .....	4
3	296431	Washer .....	4



## OVERHEAD GUARD (Figure 1-3)



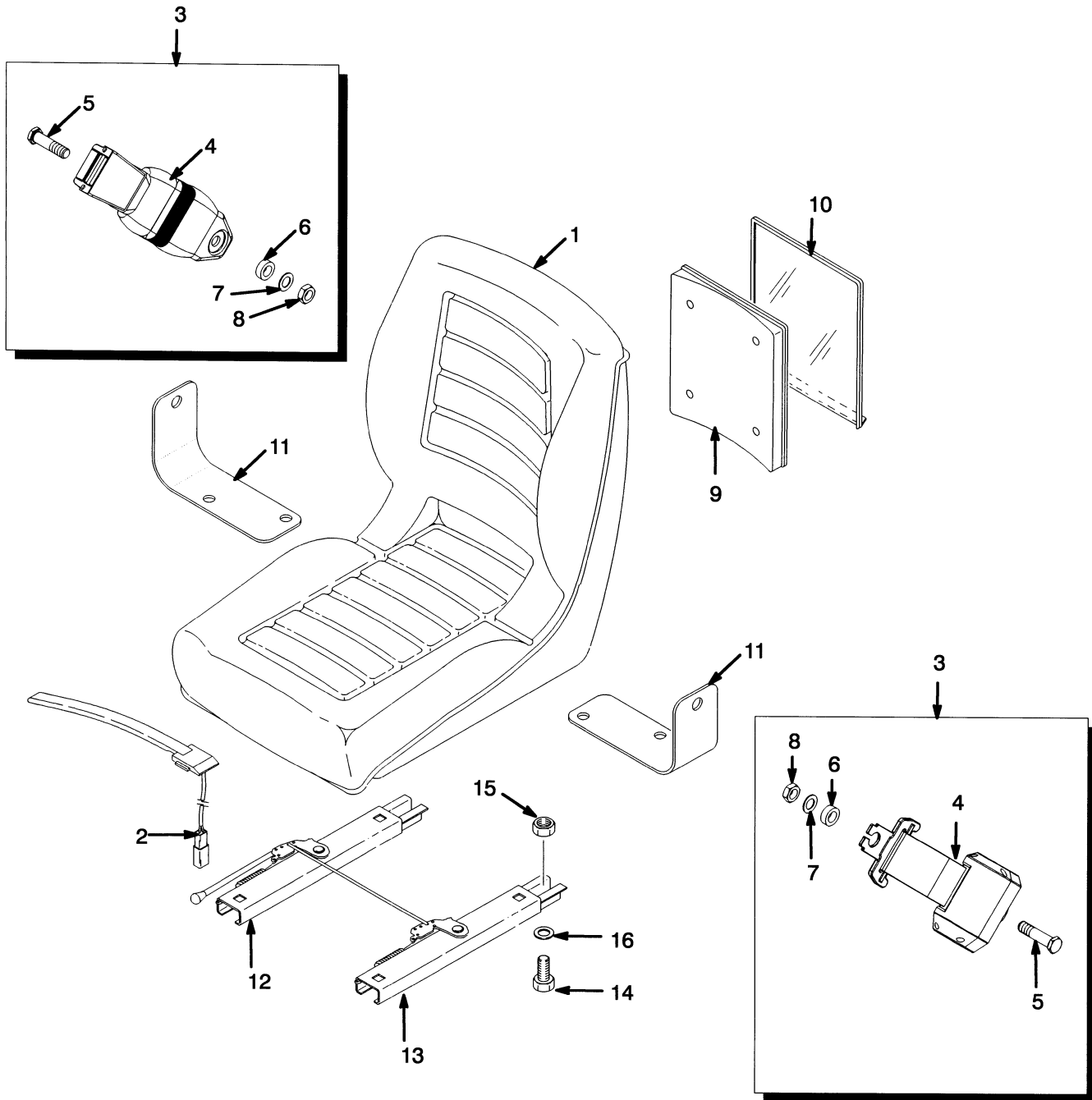
HP120522

**OVERHEAD GUARD****KEY:****A: Standard****B: Drive-in Rack Option**

ITEM	PART NO.	DESCRIPTION	QTY	
			A	B
1	<b>a</b> 1493931	Overhead Guard (1385 Wheel Base) (2060MM OAH) .....	1	..
1	<b>b</b> 1493930	Overhead Guard (1495 Wheel Base) (2060MM OAH) .....	1	..
2	<b>b</b> 1469940	Overhead Guard (1495 Wheel Base) (Raised) (2060MM OAH) .....	..	1
2	<b>a</b> 1469941	Overhead Guard (1385 Wheel Base) (Raised) (2060MM OAH) .....	..	1
3	1353533	Capscrew.....	5	5
4	1343990	Capscrew.....	1	1
5	320162	Washer .....	12	12
6	216877	Nut .....	6	6
7	1343647	Handle .....	1	1
8	316678	Screw.....	2	2
9	1363916	Plug .....	13	15
10	1363917	Plug .....	7	7

**FOOTNOTES:****a** J1.60XMT**b** J1.80-2.00XMT

## NON-SUSPENSION SEAT (Figure 1-4)



BP000036

**NON-SUSPENSION SEAT**

ITEM	PART NO.	DESCRIPTION	QTY
	1460231	Non-Suspension Seat.....	1
1	364911	Seat.....	1
2	2037311	Switch Assembly .....	1
3	1461081	Seat Belt Kit.....	1
4	.....	Seat Belt .....	1
5	.....	Screw .....	2
6	.....	Washer.....	2
7	.....	Washer.....	2
8	.....	Nut .....	2
9	335988	Base (Information Case) .....	1
10	335991	Cover (Information Case).....	1
11	1470175	Bracket .....	1
12	1470176	Seat Rail.....	1
13	1470177	Seat Rail.....	1
14	16836	Capscrew.....	4
15	145639	Nut .....	4
16	15175	Washer .....	4



**Suggest:**

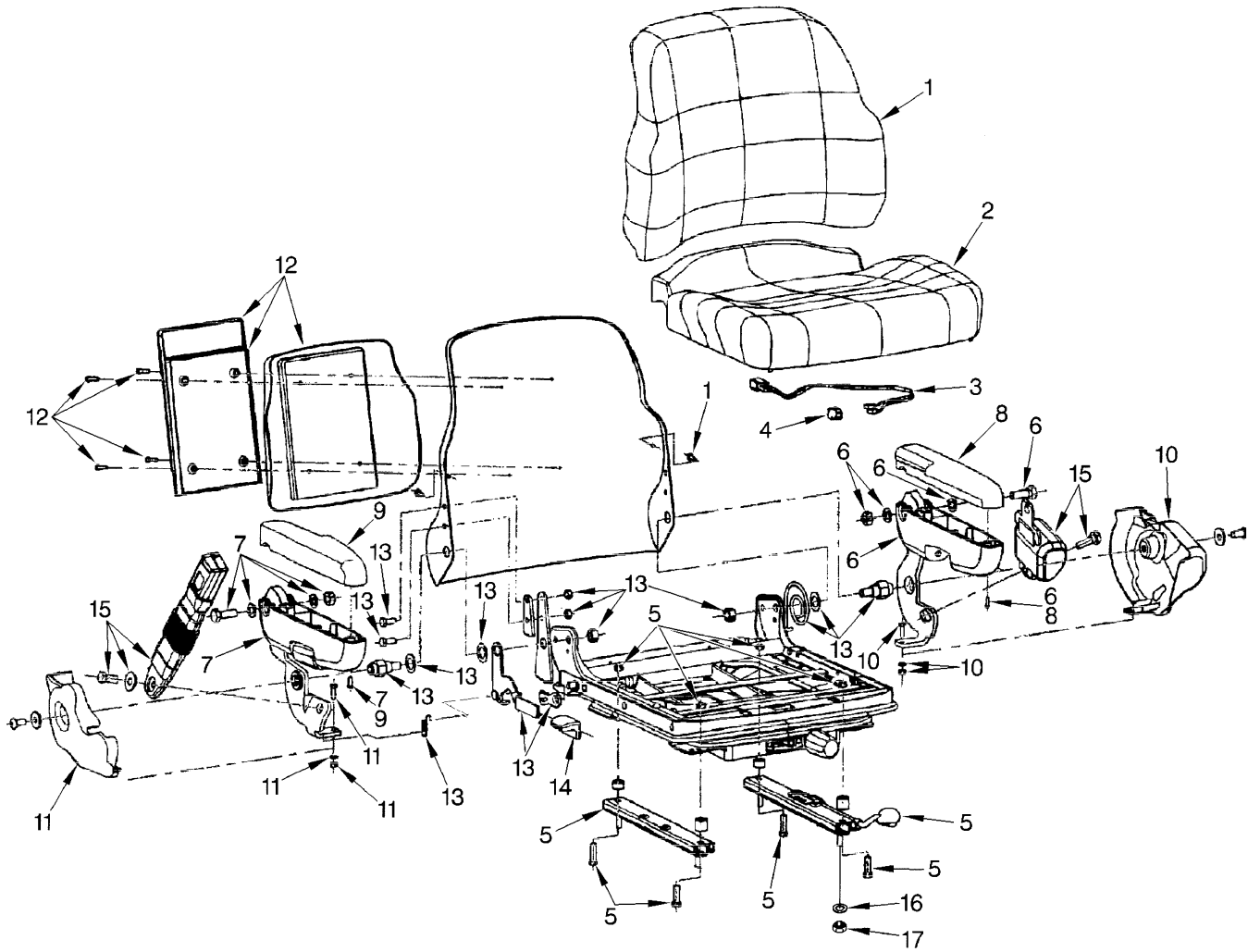
**For more complete manuals. Please go to the home page.**

**<https://www.ebooklibonline.com>**

**If the above button click is invalid. Please download this document first, and then click the above link to download the complete manual.**

**Thank you so much for reading**

## SUSPENSION SEAT (Figure 1-5)



YP120121

**SUSPENSION SEAT**

ITEM	PART NO.	DESCRIPTION	QTY
	1466006	Full Suspension Seat.....	1
	1466007	Full Suspension Seat.....	1
1	1467533	Back Cushion (Vinyl) .....	1
1	1467535	Back Cushion (Fabric) .....	1
2	1494076	Seat Cushion (Vinyl).....	1
2	1467536	Seat Cushion (Fabric) .....	1
3	1467515	Wire Harness .....	1
3	1330409	Connector .....	1
3	1330414	Secondary Lock.....	1
4	1467514	Switch .....	1
5	1467513	Slider Kit.....	1
6	1467516	Armrest (LH) (LH).....	1
7	1467517	Armrest (RH) (RH) .....	1
8	1467518	Cap (LH).....	1
9	1467519	Cap (RH) .....	1
10	1467520	Cover (LH).....	1
11	1467521	Cover (RH) .....	1
12	1467522	Holder Kit.....	1
13	1467530	Recliner Kit.....	1
14	1467531	Recliner Knob.....	1
15	1467532	Seat Belt Kit.....	1
16	15175	Washer .....	4
17	145639	Nut .....	4
	a 893818	Ground Wire .....	1

**FOOTNOTES:**

a Not Illustrated

**<https://www.ebooklibonline.com>**

Hello dear friend!

Thank you very much for reading.

Enter the link into your browser.

The full manual is available for immediate download.

**<https://www.ebooklibonline.com>**