

PARTS MANUAL

HYSTER

**E2.00-3.20XM
(G108)**

CUSTOMER EDITION

HYSTER

SECTIONS

1	FRAME
2	ELECTRICAL SYSTEM
3	DRIVE UNIT
4	STEERING SYSTEM
5	BRAKE/ACCELERATOR SYSTEM
6	HYDRAULIC SYSTEM
7	MAST-TWO STAGE LIMITED FREE-LIFT
8	MAST-THREE STAGE FULL FREE-LIFT
9	MAST-TWO STAGE FULL FREE-LIFT
10	OPTIONS
11	NUMERICAL INDEX

TABLE OF CONTENTS

DESCRIPTION	PAGE
A	
ACCELERATOR	5-12
AUXILIARY TUBES	
TWO AND THREE STAGE FULL FREE-LIFT	
FOUR FUNCTION GROUP	10-14
B	
BACKUP ALARM	10-24
BRAKE	5-6
BRAKE AND BACKUP LIGHT	10-16
BRAKE PEDAL LINKAGE	5-2
C	
CARRIAGE	
SIX ROLLER	
THREE STAGE FULL FREE-LIFT	8-26
TWO STAGE FULL FREE-LIFT	9-18
TWO STAGE LIMITED FREE-LIFT	7-14
CONTACTOR	
LINE	2-12
POWER STEERING	2-14
CONTACTOR PANEL	
CONTACTOR (LINE AND POWER STEERING)	2-10
CONTACTOR HYDRAULIC	2-16
CONTROL PANEL	
CONTACTOR HYDRAULIC	2-8
TRACTION AND PUMP CONTROLLER	2-6
CONTROL VALVE	
FOUR FUNCTION	6-26
THREE FUNCTION	6-22
CONTROL VALVE AND ATTACHING PARTS	6-16
COUNTERWEIGHT	1-16
COVERS	1-8
COWL AND FLOOR PLATES	1-4
D	
DASH DISPLAY	2-5
DC CONVERTOR	
72/80 VOLT TO 12 VOLT	10-22
DRIVE AND REAR LIGHTS	10-18
DRIVE AXLE	3-2
E	
ELECTRICAL	2-2
F	
FORK	
E2.00-2.50XM	1-28
E3.00-3.20XM	1-30
FREE LIFT	
E2.00-3.00XM	

<https://www.ebooklibonline.com>

Hello dear friend!

Thank you very much for reading.

Enter the link into your browser.

The full manual is available for immediate download.

<https://www.ebooklibonline.com>

TABLE OF CONTENTS (Continued)

DESCRIPTION	PAGE
F (continued)	
TWO STAGE FULL FREE-LIFT	9-8
E3.20XM	
TWO STAGE FULL FREE-LIFT	9-10
FREE-LIFT	
THREE STAGE FULL FREE-LIFT	8-12
FREE-LIFT CYLINDER	
THREE STAGE FULL FREE-LIFT	8-22
TWO STAGE FULL FREE-LIFT	9-16
FULL SUSPENSION SEAT	
SHEET 1 OF 2	1-20
SHEET 2 OF 2	1-22
G	
GEAR PUMP	4-12
GENERAL TRUCK	1-2
H	
HAND LEVER.....	6-20
HEADER HOSE	
THREE STAGE FULL FREE-LIFT	8-28
TWO STAGE FULL FREE-LIFT	9-20
TWO STAGE LIMITED FREE-LIFT.....	7-16
HOOD.....	1-10
HYDRAULIC	6-2
HYDRAULIC HOSES	
THREE STAGE FULL FREE-LIFT	10-11
TWO STAGE FULL FREE-LIFT	10-12
TWO STAGE LIMITED FREE-LIFT.....	10-10
HYDRAULIC MOTOR MOUNT.....	6-10
HYDRAULIC PUMP	
19 CC.....	6-6
19 CC PUMP - LOW NOISE	
OPTIONAL	6-8
HYDRAULIC PUMP MOTOR	
72/80 VOLT A/C	6-12
72/80 VOLT D/C	6-14
HYDRAULIC TANK.....	6-30
I	
INNER MAST	
THREE STAGE FULL FREE-LIFT	8-6
TWO STAGE FULL FREE-LIFT	9-4
TWO STAGE LIMITED FREE-LIFT.....	7-4
INTEGRAL SIDE-SHIFT	
CARRIAGE	
THREE STAGE FULL FREE-LIFT	10-4
TWO STAGE FULL FREE-LIFT	10-6
TWO STAGE LIMITED FREE-LIFT.....	10-2
INTEGRAL SIDE-SHIFT CYLINDER	10-8

TABLE OF CONTENTS (Continued)

DESCRIPTION	PAGE
I (continued)	
INTERMEDIATE	
THREE STAGE FULL FREE-LIFT	8-4
L	
LABELS	1-24
LIFT	
TWO STAGE LIMITED FREE-LIFT	7-6
LIFT CYLINDER	
E2.00-2.50XM	
TWO STAGE LIMITED FREE-LIFT	7-9
E3.00-3.20XM	
TWO STAGE LIMITED FREE-LIFT	7-11
LOAD BACKREST	1-26
M	
MAIN CYLINDER	
THREE STAGE FULL FREE-LIFT	
LEFT HAND	8-18
RIGHT HAND	8-15
MAIN LIFT	
THREE STAGE FULL FREE-LIFT	8-8
TWO STAGE FULL FREE-LIFT	9-6
MAIN LIFT CYLINDER	
LEFT HAND	
TWO STAGE FULL FREE-LIFT	9-12
RIGHT HAND	
TWO STAGE FULL FREE-LIFT	9-14
MAST INSTALLATION	6-34
MASTER CYLINDER	5-4
MONOTROL PEDAL	5-14
O	
OUTER MAST	
THREE STAGE FULL FREE-LIFT	8-2
TWO STAGE FULL FREE-LIFT	9-2
TWO STAGE LIMITED FREE-LIFT	7-2
OVERHEAD GUARD	1-14
P	
PARK BRAKE LINKAGE	
LEVER ACTUATED	5-8
S	
SEMI-SUSPENSION SEAT	1-18
SHIFT LEVER	4-4
STEERING AXLE	4-16
STEERING CONTROL UNIT	4-6
STEERING CYLINDER	4-10
STEERING HYDRAULIC	4-8

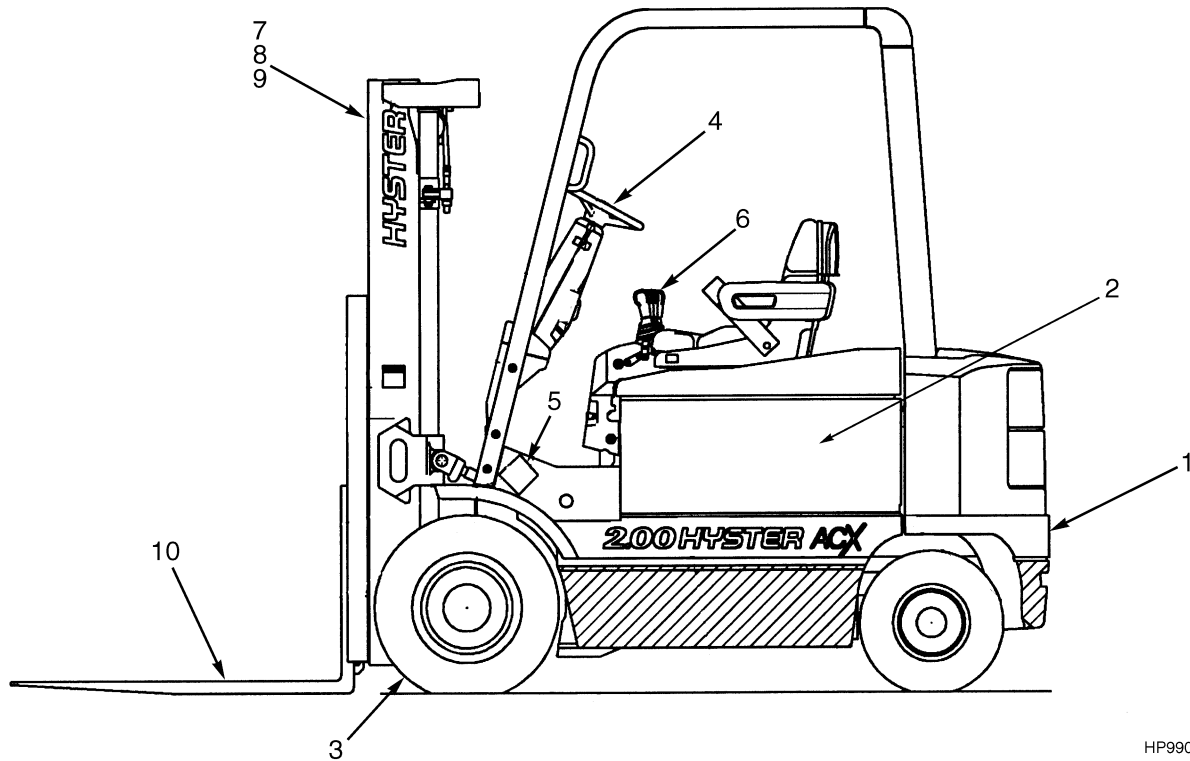
TABLE OF CONTENTS (Continued)

DESCRIPTION	PAGE
S (continued)	
STEERING MOTOR	4-14
STEERING POD	4-2
STROBE LIGHT	10-20
T	
TILT CYLINDER	6-32
TIRE AND WHEEL	
DRIVE WHEEL	3-10
STEER WHEEL	4-18
TRACTION MOTOR	
72/80 VOLT	3-8
TRANSMISSION AND DIFFERENTIAL	3-4
W	
WIRE HARNESS	
FRONT LIGHTS	10-28
LIGHT	2-20
LIGHTS	10-26
MAIN	2-18
REAR LIGHTS	10-29

**SECTION 1
FRAME**

DESCRIPTION	PAGE
COUNTERWEIGHT	1-16
COVERS	1-8
COWL AND FLOOR PLATES	1-4
FORK	
E2.00-2.50XM	1-28
E3.00-3.20XM	1-30
FULL SUSPENSION SEAT	
SHEET 1 OF 2	1-20
SHEET 2 OF 2	1-22
GENERAL TRUCK	1-2
HOOD	1-10
LABELS	1-24
LOAD BACKREST	1-26
OVERHEAD GUARD	1-14
SEMI-SUSPENSION SEAT	1-18

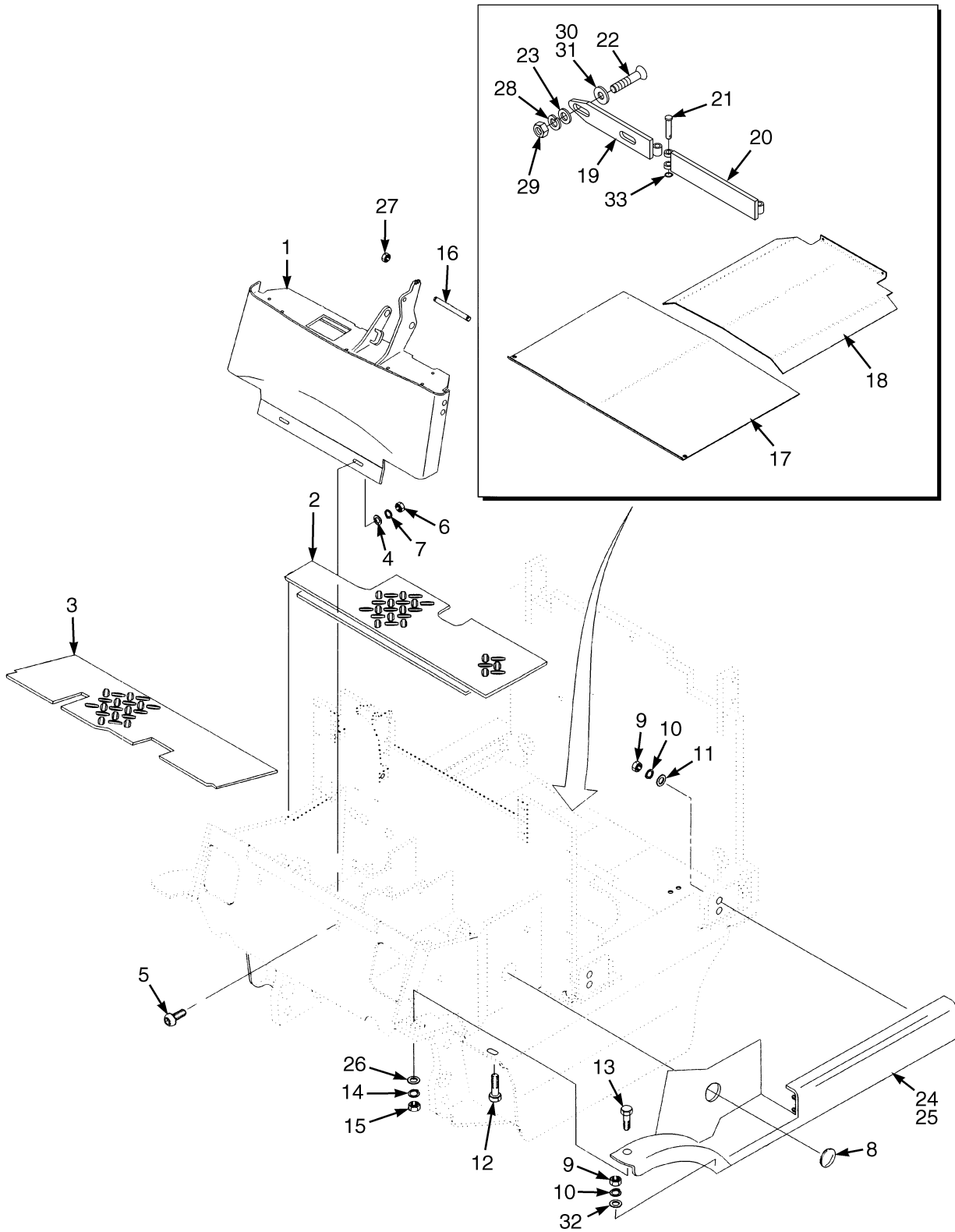
GENERAL TRUCK (Figure 1-1)



HP990018

ITEM	PART NO.	DESCRIPTION	QTY
1	Cowls and Floorplates (☞ Figure 1-2)
2	Electrical System (☞ Figure 2-1)
3	Drive Unit (☞ Figure 3-1)
4	Steering System (☞ Figure 4-1)
5	Brake and Accelerator (☞ Figure 5-1)
6	Hydraulic System (☞ Figure 6-1)
7	Mast-Two Stage Limited Free-Lift (☞ Figure 7-1)
8	Mast-Two Stage Full Free-Lift (☞ Figure 9-1)
9	Mast-Three Stage Full Free-Lift (☞ Figure 8-1)
10	Forks (☞ Figure 1-12, ☞ Figure 1-13)

COWL AND FLOOR PLATES (Figure 1-2)



HP120743

COWL AND FLOOR PLATES**KEY:****A: 700 mm Battery Compartment****B: 847 mm Battery Compartment****C: 1015 mm Battery Compartment**

ITEM	PART NO.	DESCRIPTION	QTY		
			A	B	C
1	1551686	Cowl.....	1	1	1
2	2065843	Floorplate.....	1	1	1
3	1551791	Floorplate.....	1	1	1
4	15176	Washer	4	4	4
5	17105	Bolt	2	2	2
6	15056	Nut	2	2	2
7	15156	Lockwasher.....	2	2	2
8	1350231	Plug	2	2	2
9	136692	Nut	6	6	6
10	292682	Lockwasher.....	6	6	6
11	86936	Washer	2	2	2
12	136985	Capscrew.....	2	2	2
13	292529	Capscrew.....	2	2	2
14	292683	Lockwasher.....	2	2	2
15	216877	Nut	2	2	2
16	18494	Capscrew.....	1	1	1
17	1340222	Cover	1	..
17	1340224	Cover	1
17	1340220	Cover	1
18	325521	Cover	1	1	1
19	1493955	Plate	1	1	1
20	1493957	Plate	1	1	1
21	1509942	Pin	2	2	2
22	296249	Capscrew.....	2	2	2
23	296421	Washer	2	2	2
24	1550790	Step (LH)	1
24	a 1550793	Step (LH)	1
24	1550791	Step (LH)	1	..
24	a 1550794	Step (LH)	1	..
24	1550792	Step (LH)	1
24	a 1550795	Step (LH)	1
25	1550797	Step (RH).....	1
25	a 1550800	Step (RH).....	1
25	1550798	Step (RH).....	..	1	..
25	a 1550801	Step (RH).....	..	1	..
25	1550799	Step (RH).....	1
25	a 1550802	Step (RH).....	1
26	320162	Washer	2	2	2
27	169874	Nut	1	1	1
28	292682	Lockwasher.....	2	2	2
29	136692	Nut	2	2	2
30	361973	Spacer	16	16	16
31	1483375	Spacer	2	2	2
32	320158	Washer	6	6	6

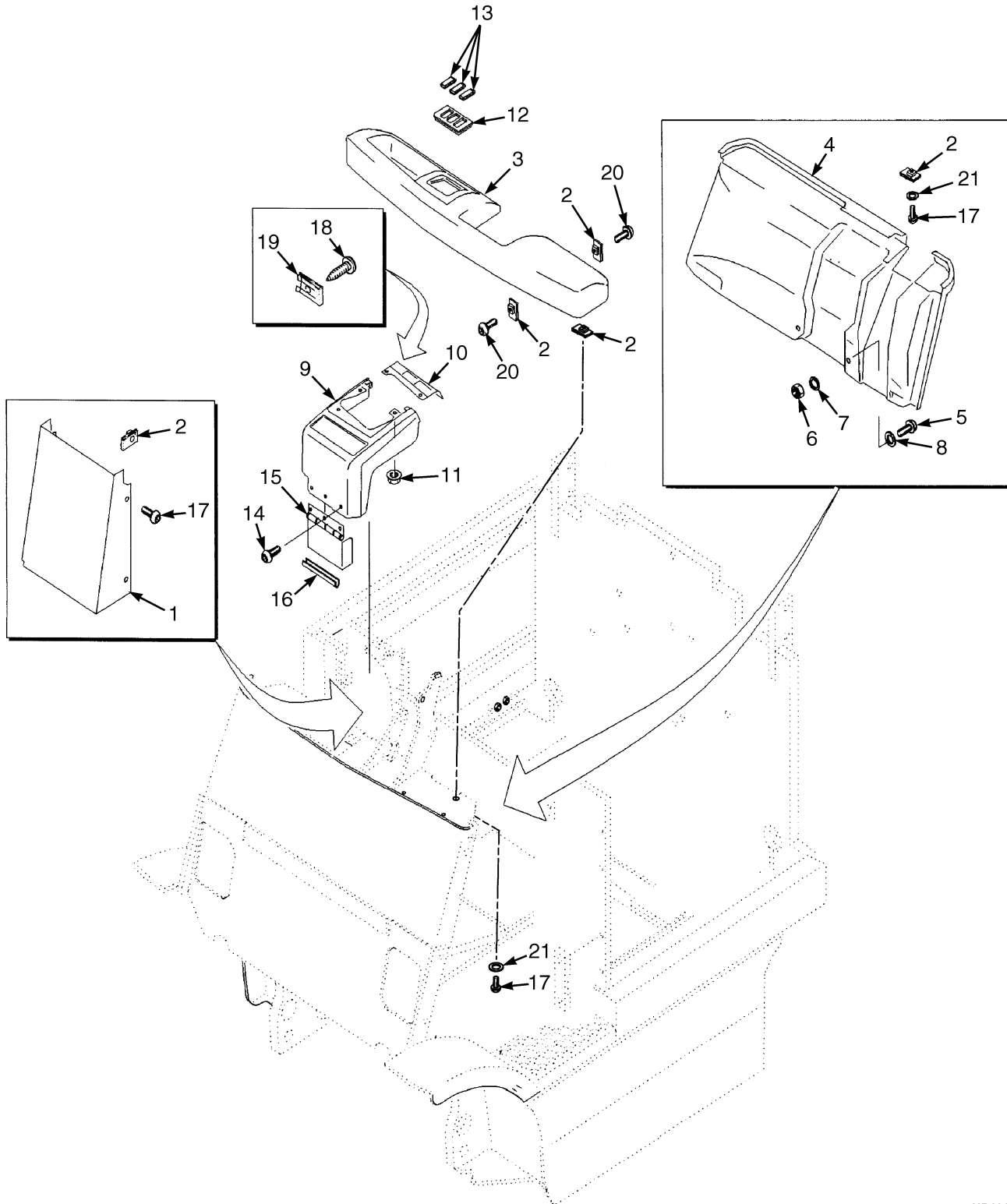
COWL AND FLOOR PLATES

ITEM	PART NO.	DESCRIPTION	QTY		
			A	B	C
33	58951	Snap Ring.....	2	2	2
34	1552106	Floormat	1	1	1

FOOTNOTES:

a Wide Tread

COVERS (Figure 1-3)

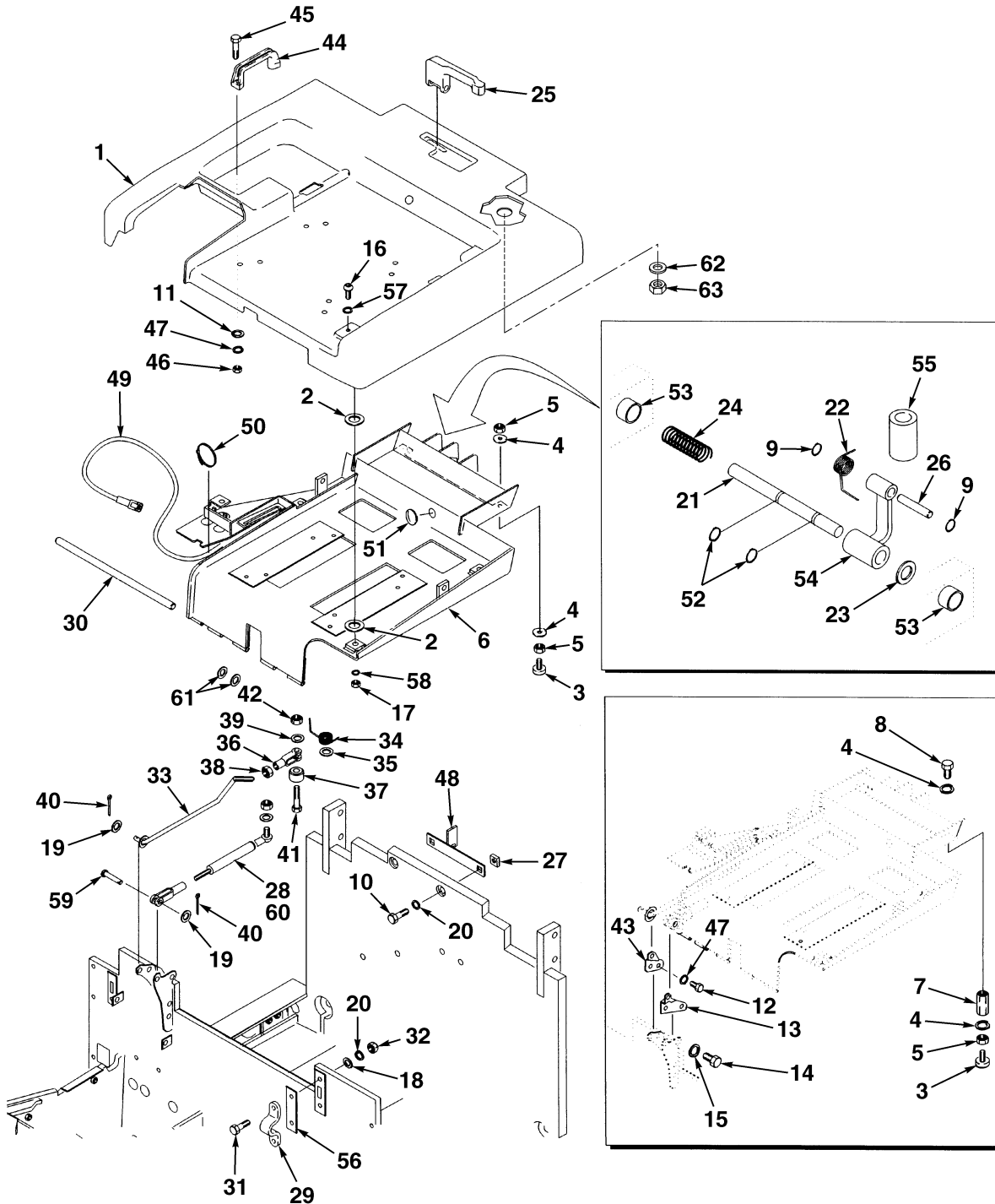


HP120744

COVERS**KEY:****A: 700 mm Battery Compartment****B: 847 mm Battery Compartment****C: 1015 mm Battery Compartment**

ITEM	PART NO.	DESCRIPTION	QTY		
			A	B	C
1	1388314	Cover (Without Raised Hood).....	1	1	1
1	1388315	Cover (With Raised Hood).....	1	1	1
2	325182	Nut (Retaining)	14	14	14
2	1354323	Nut (Foldover) (Optional)	14	14	14
3	2065834	Dash	1	1	1
4	2065835	Liner.....	1	1	1
5	296167	Capscrew.....	2	2	2
6	239503	Nut	2	2	2
7	292681	Lockwasher.....	2	2	2
8	320158	Washer	2	2	2
9	1381909	Cover	1	1	1
10	1381910	Cover	1	1	1
10	2066939	Cover (Optional)	1	1	1
11	169874	Nut	2	2	2
12	1382311	Panel (End).....	2	2	2
12	1382312	Panel (Center)	1	1	1
13	1382313	Cover (With Lights)	2	2	2
13	1382313	Cover (Without Lights).....	3	3	3
14	1364399	Screw.....	3	3	3
15	1364395	Cover	1	1	1
16	1376812	Trim	1	1	1
17	296159	Capscrew.....	6	6	6
18	1381919	Screw.....	2	2	2
19	1381918	Nut	2	2	2
20	353144	Capscrew.....	8	8	8
21	15127	Washer	3	3	3

HOOD (Figure 1-4)



HP120745

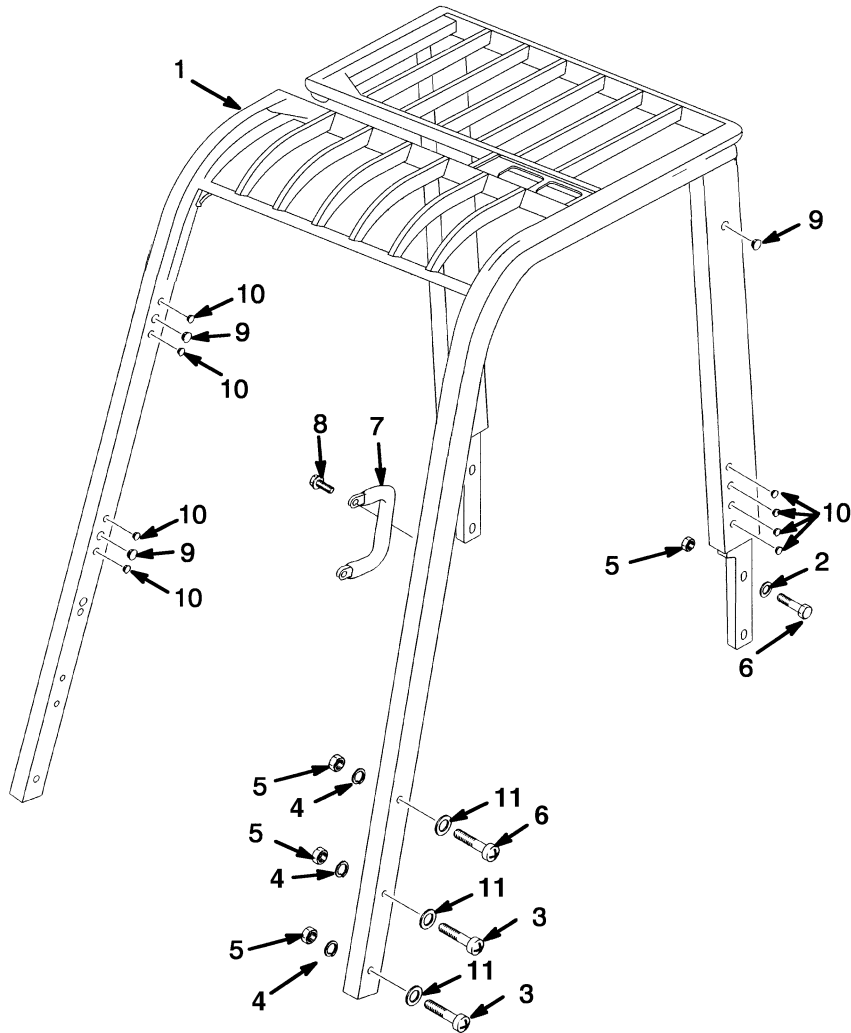
HOOD**KEY:****A: 700 mm Battery Compartment****B: 847 mm Battery Compartment****C: 1015 mm Battery Compartment**

ITEM	PART NO.	DESCRIPTION	QTY		
			A	B	C
1	1551275	Hood	1
1	1551276	Hood	1	..
1	1551277	Hood	1
2	1383680	Spacer	4	4	4
3	1347088	Stop Screw (With Raised Hood)	2	2	2
3	367251	Stop Screw (Without Raised Hood)	2	2	2
4	15155	Lockwasher	4	4	4
5	15055	Nut (With Raised Hood)	2	2	2
5	15055	Nut (Without Raised Hood)	4	4	4
6	1558063	Frame	1
6	1558065	Frame	1	..
6	1538409	Frame	1
7	1364729	Spacer (With Raised Hood)	2	2	2
8	16394	Capscrew (With Raised Hood)	2	2	2
9	12892	Snap Ring	2	2	2
10	292515	Capscrew	2	2	2
11	2034906	Washer	2	2	2
12	293601	Capscrew (With Raised Hood)	2	2	2
13	1377378	Bracket (With Raised Hood)	1	1	1
14	293613	Capscrew (With Raised Hood)	2	2	2
15	292681	Lockwasher (With Raised Hood)	2	2	2
16	296173	Capscrew	4	4	4
17	316826	Nut	4	4	4
18	320159	Washer	2	2	2
19	18515	Washer	2	2	2
20	292682	Lockwasher	4	4	4
21	1538963	Shaft	1	1	1
22	1377670	Spring	1	1	1
23	15125	Washer	1	1	1
24	1364538	Spring	1	1	1
25	1544196	Handle	1	1	1
26	1378975	Pin	1	1	1
27	1538971	Plate	2	2	2
28	1385758	Gas Spring	1
28	1385759	Gas Spring	1	1	..
29	355374	Clamp	1	1	1
30	1468405	Bar	1	1	1
31	287854	Capscrew (25 mm)	2	2	2
31	136985	Capscrew (30 mm) (Optional)	2	2	2
32	136692	Nut	2	2	2
33	1385761	Rod	1	1	1
34	1340866	Spring	1	1	1
35	1340867	Spacer	1	1	1
36	1364096	Clevis	1	1	1
37	1364243	Knob	1	1	1
38	15025	Nut	1	1	1

HOOD

ITEM	PART NO.	DESCRIPTION	QTY		
			A	B	C
39	296419	Washer	2	2	2
40	15212	Cotter Pin.....	2	2	2
41	293799	Capscrew.....	1	1	1
42	313805	Nut	1	1	1
43	1340743	Bracket (With Raised Hood)	1	1	1
44	362030	Handle	1	1	1
45	287816	Capscrew.....	2	2	2
46	136687	Nut	2	2	2
47	292680	Lockwasher (Without Raised Hood)	2	2	2
47	292680	Lockwasher (With Raised Hood)	4	4	4
48	1556488	Latch (Without Raised Hood)	1	1	1
48	1556669	Latch (With Raised Hood)	1	1	1
49	1340531	Wire Harness (Without Seat Brake)	1	1	1
50	114312	Strap Clamp (Without Seat Brake)	5	5	5
51	1359587	Grommet (Without Seat Brake)	1	1	1
52	353569	Retaining Ring	2	2	2
53	368618	Bushing.....	2	2	2
54	1378900	Link	1	1	1
55	1378902	Collar	1	1	1
56	325616	Spacer	AR	AR	AR
57	320160	Washer	4	4	4
58	15177	Washer	4	4	4
59	139	Rod End Pin	1	1	1
60	251099	Adhesive	2	2	2
61	15135	Washer	AR	AR	AR
62	1471535	Washer	1	3
63	316835	Nut	1	3

OVERHEAD GUARD (Figure 1-5)

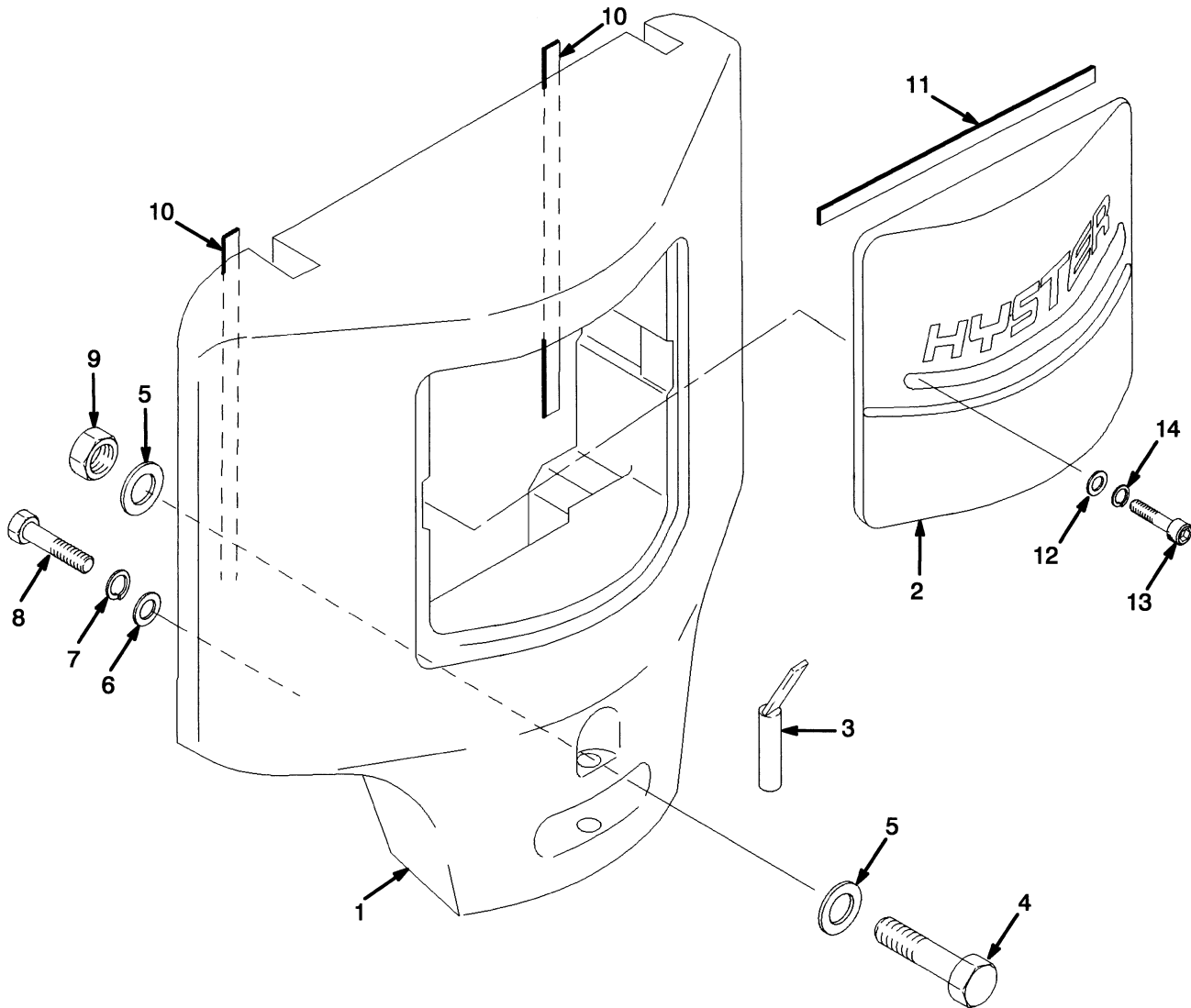


HP120678

OVERHEAD GUARD**KEY:****A: 700 mm Battery Compartment****B: 847 mm Battery Compartment****C: 1015 mm Battery Compartment**

ITEM	PART NO.	DESCRIPTION	QTY		
			A	B	C
1	1552744	Overhead Guard (Standard Height).....	1
1	1552747	Overhead Guard (Raised Height).....	1
1	1552745	Overhead Guard (Standard Height).....	..	1	..
1	1552748	Overhead Guard (Raised Height).....	..	1	..
1	1552746	Overhead Guard (Standard Height).....	1
1	1552749	Overhead Guard (Raised Height).....	1
2	320161	Washer	10	10	10
3	293649	Capscrew.....	4	4	4
4	292683	Lockwasher.....	6	6	6
5	1390182	Nut	10	10	10
6	293647	Capscrew.....	6	6	6
7	1343647	Handle	1	1	1
8	329067	Screw.....	2	2	2
9	1363917	Plug	5	5	5
10	1363916	Plug	12	12	12
11	296423	Washer	4	4	4

COUNTERWEIGHT (Figure 1-6)

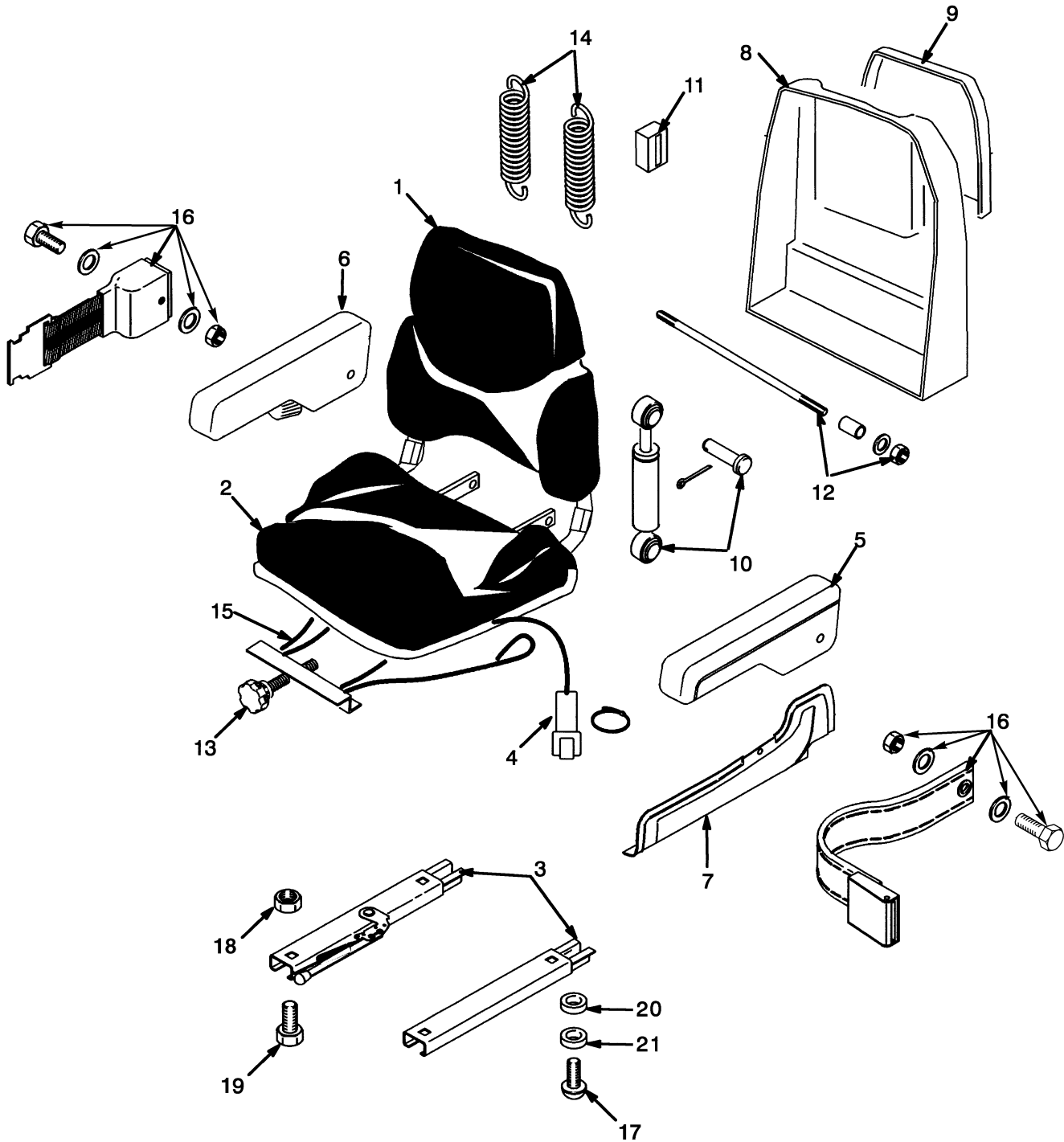


HP120746

COUNTERWEIGHT**KEY:****A: 700 mm Battery Compartment****B: 847 mm Battery Compartment****C: 1015 mm Battery Compartment**

ITEM	PART NO.	DESCRIPTION	QTY		
			A	B	C
1	1566683	Counterweight (2.0XM-3.0XM)	1	1	1
1	1566684	Counterweight (3.20XM).....	1
1	1566685	Counterweight (2.5XM-3.0XM)	1	1	..
2	1550699	Cover	1	1	1
3	326347	Tow Pin	1	1	1
4	292537	Capscrew.....	2	2	2
5	296423	Washer	4	4	4
6	221777	Washer	2	2	2
7	15162	Lockwasher.....	2	2	2
8	168054	Capscrew.....	2	2	2
9	300937	Nut	2	2	2
10	326003	Tape	AR	AR	AR
11	1546460	Tape	AR	AR	AR
12	15134	Washer	2	2	2
13	46698	Capscrew.....	2	2	2
14	15156	Lockwasher.....	2	2	2

SEMI-SUSPENSION SEAT (Figure 1-7)

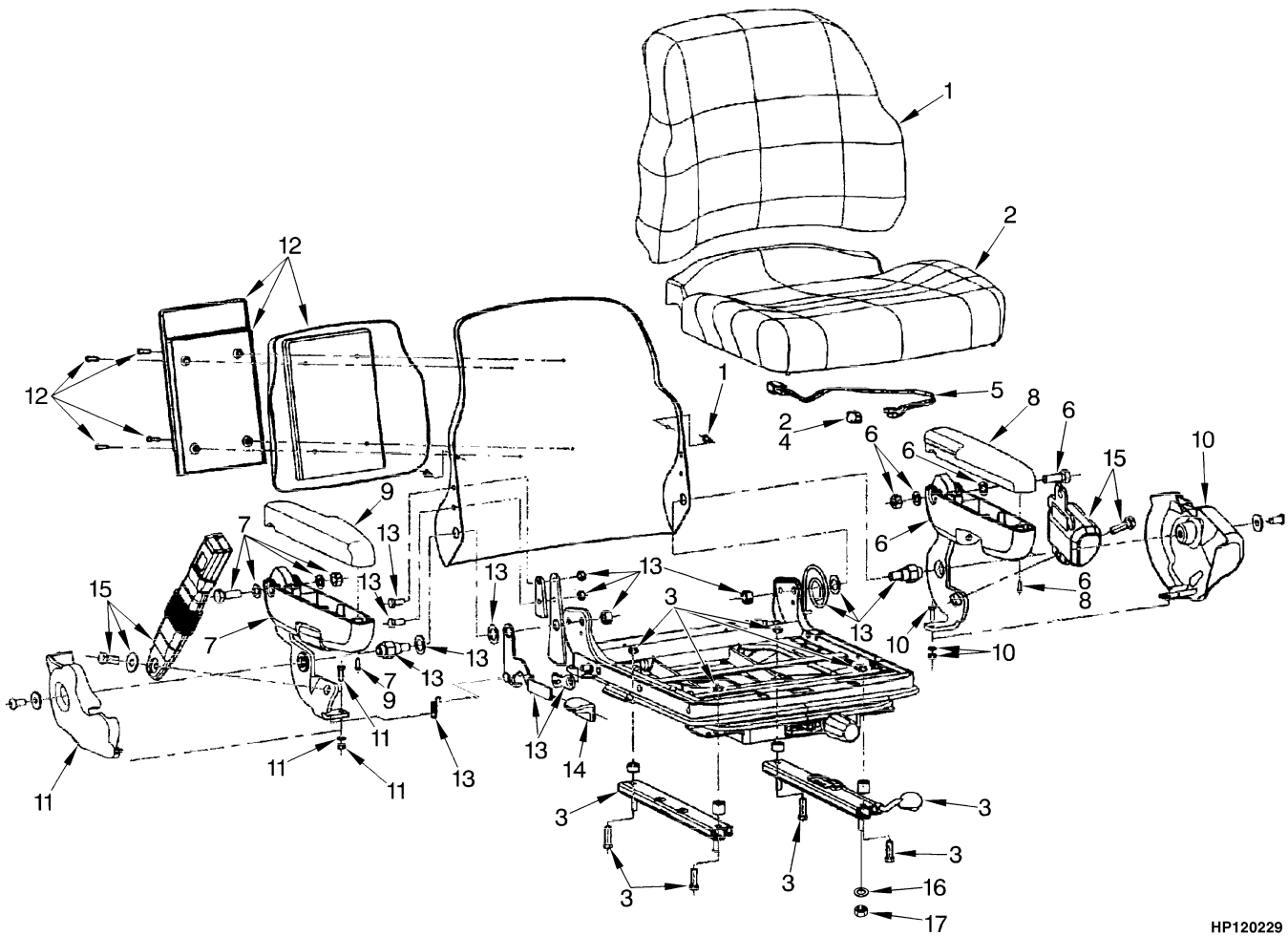


HP120750

SEMI-SUSPENSION SEAT

ITEM	PART NO.	DESCRIPTION	QTY
	1450209	Semi-Suspension Seat (Vinyl Cover)	1
1	1382111	Back Cushion	1
2	1382112	Seat Cushion.....	1
3	1459114	Seat Rail Kit.....	1
4	1354140	Switch Assembly	1
4	1330409	Connector	1
4	1330414	Secondary Lock	1
4	1330433	Pin.....	1
5	1453882	Armrest (LH).....	1
6	1453883	Armrest (RH)	1
7	1453884	Cover (LH)	1
7	1453885	Cover (RH)	1
8	1453886	Cover (Back).....	1
9	1453887	Holder.....	1
10	1362049	Shock Absorber Kit.....	1
11	1362052	Block.....	1
12	1362053	Shaft and Bearing Kit	1
13	1362061	Knob Kit.....	1
14	1367137	Suspension Spring Kit.....	1
15	1378307	Suspension Cable Kit.....	1
16	1461081	Seat Belt Kit.....	1
16	Capscrew	2
16	Nut	2
16	Washer.....	4
17	17178	Capscrew.....	4
18	Nut	4
19	Capscrew.....	4
20	1375848	Spacer	4
21	878236	Spacer	4

FULL SUSPENSION SEAT (Figure 1-8) SHEET 1 OF 2



HP120229



Suggest:

For more complete manuals. Please go to the home page.

<https://www.ebooklibonline.com>

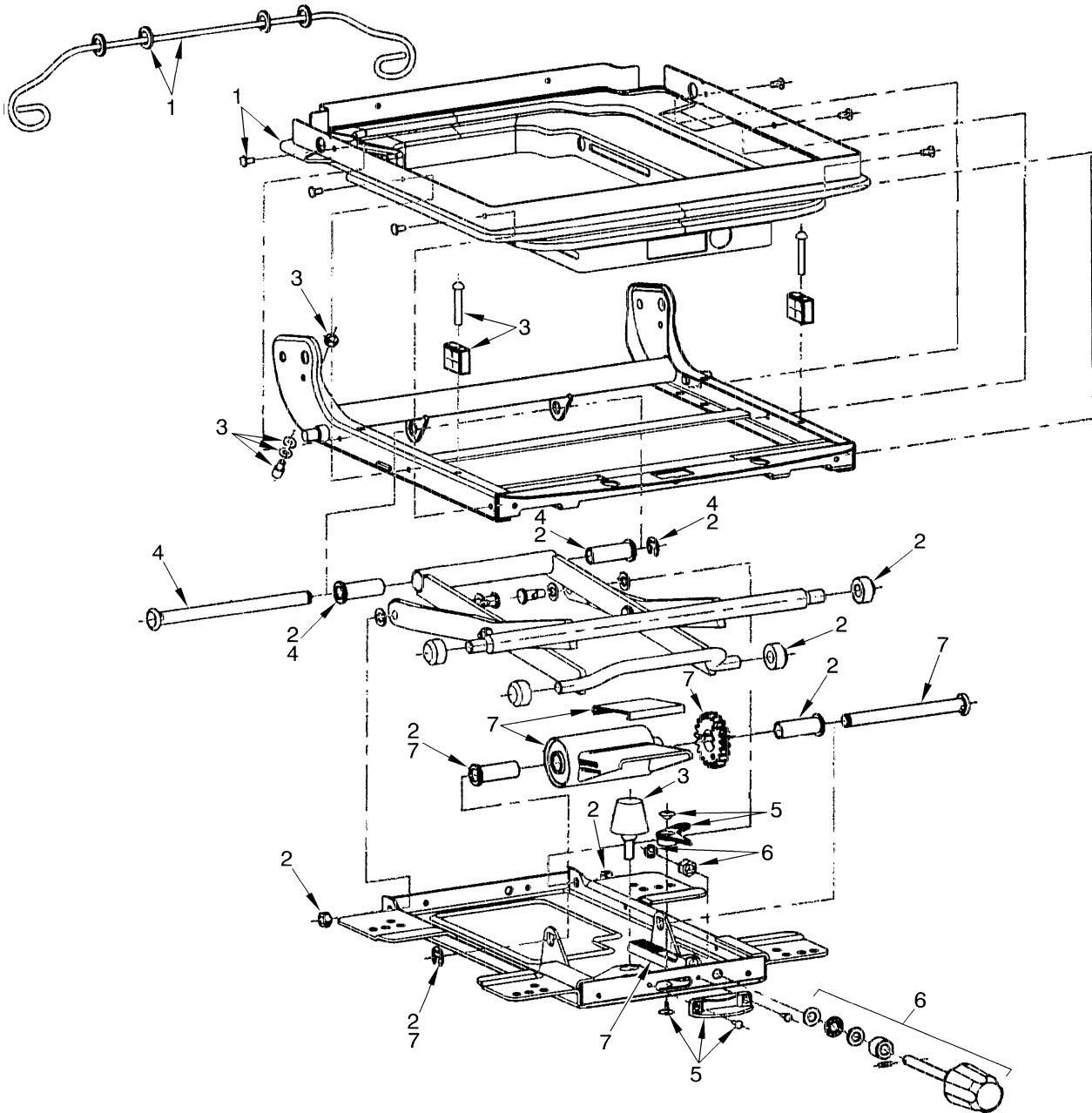
If the above button click is invalid. Please download this document first, and then click the above link to download the complete manual.

Thank you so much for reading

**FULL SUSPENSION SEAT
SHEET 1 OF 2**

ITEM	PART NO.	DESCRIPTION	QTY
	1466006	Full Suspension Seat (Vinyl Cover)	1
	1466007	Full Suspension Seat (Fabric Cover)	1
1	1467533	Back Cushion (Vinyl)	1
1	1467535	Back Cushion (Fabric)	1
2	1494076	Seat Cushion (Vinyl)	1
2	1467536	Seat Cushion (Fabric)	1
3	1467513	Slider Kit	1
4	1467514	Switch	1
5	1467515	Wire Harness	1
6	1467516	Armrest (LH)	1
7	1467517	Armrest (RH)	1
8	1467518	Cap (LH)	1
9	1467519	Cap (RH)	1
10	1467520	Cover (LH)	1
11	1467521	Cover (RH)	1
12	1467522	Holder Kit	1
13	1467530	Recliner Kit	1
14	1467531	Recliner Knob	1
15	1467532	Seat Belt Kit	1
16	15175	Washer	4
17	145639	Nut	4

FULL SUSPENSION SEAT (Figure 1-9) SHEET 2 OF 2



HP120230

<https://www.ebooklibonline.com>

Hello dear friend!

Thank you very much for reading.

Enter the link into your browser.

The full manual is available for immediate download.

<https://www.ebooklibonline.com>