

# **PARTS MANUAL**

---

## **CHALLENGER**

**H40.00XM-H48.00XM-16CH,  
H50.00XM-H52.00XM-16CH  
(E117)**

**CUSTOMER EDITION**

---

# ***HYSTER***

**SECTIONS**

<b>1</b>	<b>FRAME</b>
<b>2</b>	<b>ENGINES</b>
<b>3</b>	<b>FUEL SYSTEM</b>
<b>4</b>	<b>ELECTRICAL SYSTEM</b>
<b>5</b>	<b>TRANSMISSION</b>
<b>6</b>	<b>DRIVE AXLE</b>
<b>7</b>	<b>STEERING SYSTEM</b>
<b>8</b>	<b>BRAKE SYSTEM</b>
<b>9</b>	<b>HYDRAULIC SYSTEM</b>
<b>10</b>	<b>MAST WITH EMPTY CONTAINER HANDLER</b>
<b>11</b>	<b>CONTAINER HANDLER ATTACHMENT</b>
<b>12</b>	<b>ATTACHMENTS</b>
<b>13</b>	<b>OPTIONS</b>
<b>14</b>	<b>NUMERICAL INDEX</b>

**TABLE OF CONTENTS**

DESCRIPTION	PAGE
<b>A</b>	
ACCUMULATOR	
PISTON TYPE .....	9-24
AIR CONDITIONING SYSTEM .....	1-42
AIR FILTER SYSTEM .....	2-10
AIR INLET CONNECTION .....	2-67
AIR OUTLET CONNECTION .....	2-68
AIR TRANSFER CONNECTION .....	2-70
ALARM .....	13-10
ALTERNATOR AND MOUNTING .....	4-26
ARMREST ASSEMBLY	
SEAT .....	1-40
ARMREST SWITCHES .....	4-21
AXLE HOUSING	
WET BRAKE .....	6-6
<b>B</b>	
BRAKE AND INCHING PEDAL LINKAGE .....	8-6
BRAKE ASSEMBLY	
DISC	
WET BRAKE .....	8-8
WET BRAKE .....	8-10
BRAKE SYSTEM .....	8-2
BRAKE VALVE ASSEMBLY .....	8-12
BREATHER PLUMBING .....	2-50
<b>C</b>	
CAB ATTACHING PARTS .....	1-16
CAB FLOORMATS .....	1-24
CAB MOUNT .....	1-14
CAB PANELS .....	1-30
CAB SOUND REDUCTION .....	1-26
CAM FOLLOWER LEVER .....	2-18
CAMSHAFT .....	2-20
CLUTCH	
FORWARD	
C290, 36000 SERIES .....	5-12
FOURTH SPEED	
C290, 36000 SERIES .....	5-18
LOW SPEED	
C290, 36000 SERIES .....	5-14
REVERSE AND 2ND SHAFT	
C290, 36000 SERIES .....	5-10
THIRD SPEED	
C290, 36000 SERIES .....	5-16
CONDENSER .....	1-46
CONTROL PANEL .....	4-12
AIR CONDITIONER .....	4-16
HEATER .....	4-14
CONTROL VALVE	
ELECTRONIC INCHING	

**<https://www.ebooklibonline.com>**

Hello dear friend!

Thank you very much for reading.

Enter the link into your browser.

The full manual is available for immediate download.

**<https://www.ebooklibonline.com>**

## TABLE OF CONTENTS (Continued)

DESCRIPTION	PAGE
<b>C (continued)</b>	
C290, 36000 SERIES.....	5-26
HYDRAULIC INCHING	
C290, 36000 SERIES.....	5-30
CONTROL VALVE ASSEMBLY	
AUXILIARY .....	9-12
CAP AND SUPPORT KIT .....	9-18
LIFT.....	9-14
LIFT AND TILT .....	9-16
CONVERTER HOUSING ATTACHMENT	
THREE SPEED	
C290, 36000 SERIES.....	5-22
COOLANT HEATER STARTING AID .....	2-52
COOLING .....	2-12
CORROSION RESISTOR .....	2-100
COUNTERWEIGHT .....	1-10
FABRICATED.....	1-12
COVERS .....	1-2
CRANKSHAFT .....	2-29
CRANKSHAFT MAIN BEARINGS.....	2-30
CYLINDER BLOCK .....	2-14
CYLINDER BLOCK PLUMBING .....	2-25
CYLINDER HEAD .....	2-16
CYLINDER LINER.....	2-24
<b>D</b>	
DC-DC CONVERTER AND ATTACHING PARTS.....	4-18
DEDICATED CARRIAGE .....	12-10
DIFFERENTIAL CARRIER	
WET BRAKE.....	6-2
DOOR ATTACHING PARTS .....	1-18
DRIVE PULLEY	
AIR COMPRESSOR.....	2-48
WATER PUMP .....	2-82
DRIVE TIRE AND WHEEL	
18.00 X 25.....	13-12
DRIVE TRAIN	
FRONT.....	2-56
<b>E</b>	
ELECTRICAL ACCESSORIES .....	2-106
ELECTRICAL SYSTEM.....	4-4
SERIES 813 AND 818 .....	11-30
SERIES 818.....	11-32
ENGINE ASSEMBLY.....	2-3
ENGINE CONTROL SYSTEM .....	2-38
ENGINE MOUNT.....	2-6
EXHAUST .....	2-8
EXHAUST MANIFOLD .....	2-92
EXTENSION CYLINDER AND ATTACHING PARTS	

**TABLE OF CONTENTS (Continued)**

DESCRIPTION	PAGE
<b>E (continued)</b>	
SERIES 813 AND 818 .....	11-20
<b>F</b>	
FAN.....	2-88
FAN DRIVE.....	2-62
FLOORPLATES, STEPS, AND RAILS .....	1-4
FLOW AMPLIFIER .....	9-26
FLYWHEEL.....	2-64
FLYWHEEL HOUSING .....	2-46
FRONT ENGINE SUPPORT .....	2-58
FRONT GEAR COVER .....	2-44
FRONT, BRAKE/BACK-UP AND REAR WORK LIGHTS .....	13-2
FUEL FILTER PLUMBING.....	3-18
FUEL PUMP ASSEMBLY .....	3-6
FUEL PUMP COUPLING .....	3-11
FUEL PUMP DRIVE .....	3-12
FUEL PUMP PLUMBING .....	3-9
FUEL SYSTEM.....	3-2
FUSE BOX	
SEALED.....	4-39
FUSES AND RELAYS .....	4-28
<b>G</b>	
GANTRY CARRIAGE	
WITH MECHANICAL PILE SLOPE .....	12-12
WITH POWER PILE SLOPE .....	12-14
GEAR HOUSING.....	2-34
<b>H</b>	
HANDLEVER INSTALLATION.....	9-42
HANGER ASSEMBLY	
SERIES 818.....	11-2
HEADER HOSE	
⇒S/N E117E01520C .....	12-2
S/N E117E01521C⇒ .....	12-6
HEATER AND AIR CONDITIONER ASSEMBLY.....	1-50
HEATER AND AIR CONDITIONER MOUNT .....	1-48
HEATER ASSEMBLY .....	1-52
HEATER HOSE ARRANGEMENT .....	1-44
HORN AND ATTACHING PARTS .....	4-24
HUB AND SHAFT	
WET BRAKE.....	6-8
HYDRAULIC PUMP	
MAIN.....	9-28
STEERING	
DUAL.....	9-30
HYDRAULIC STOP ASSEMBLY	
SERIES 813 AND 818 .....	11-6
HYDRAULIC SUPPLY AND RETURN	

## TABLE OF CONTENTS (Continued)

DESCRIPTION	PAGE
<b>H (continued)</b>	
SHEET 1 OF 2.....	9-2
SHEET 2 OF 2.....	9-6
HYDRAULIC SYSTEM	
SERIES 813.....	11-34
SERIES 818.....	11-36
HYDRAULIC TANK AND ATTACHING PARTS.....	9-20
HYDRAULIC VALVE AND ATTACHING PARTS.....	9-8
<b>I</b>	
IDLER GEAR.....	2-36
INDICATOR DISPLAY ASSEMBLY.....	4-10
INJECTOR.....	3-4
INLET CONNECTOR	
AIR COMPRESSOR.....	2-66
INTAKE MANIFOLD.....	2-90
<b>J</b>	
JOYSTICK INSTALLATION.....	9-38
<b>L</b>	
LABELS.....	1-60
LIFT ACCUMULATOR AND ATTACHING PARTS.....	9-22
LIFT CYLINDER.....	10-10
12650 MM (498.0 IN.) LIFT HEIGHT.....	10-12
LIFTING BRACKET.....	2-72
LIGHT BAR AND MOUNT	
CAB.....	4-22
<b>M</b>	
MAIN FRAME	
SERIES 813 AND 818.....	11-8
MANIFOLD	
CAB.....	9-32
LIFT AND TILT.....	9-34
MAIN.....	9-36
MAST ASSEMBLY	
⇒S/N E117E01520C.....	10-2
S/N E117E01521C⇒.....	10-6
MAST INSTALLATION.....	9-48
MIRRORS	
FRONT FENDER.....	1-8
<b>N</b>	
NOISE PANEL.....	2-4

**TABLE OF CONTENTS (Continued)**

DESCRIPTION	PAGE
<b>O</b>	
OIL COOLER WATER PLUMBING .....	2-102
OIL FILLER ARRANGEMENT.....	2-78
OIL FILTER.....	2-76
OIL FILTER AND COOLER HEAD .....	2-74
OIL LEVEL GAUGE.....	2-32
OIL PAN.....	2-42
OIL PUMP AND ATTACHING PARTS .....	2-40
<b>P</b>	
PENDULAR TWIST LOCK	
SERIES 813 AND 818 .....	11-12
PILOT VALVE ASSEMBLY	
JOYSTICK.....	9-40
PISTON AND CONNECTING ROD.....	2-26
PISTON COOLING NOZZLE .....	2-28
PIVOT ARM ASSEMBLY .....	1-38
PUMP DRIVE AND SHAFT	
C290, 36000 SERIES .....	5-20
<b>R</b>	
RADIATOR PLUMBING.....	2-84
RADIO CONSOLE.....	4-20
REGULATING PRESSURE VALVE AND CHARGE PUMP	
C290, 36000 SERIES .....	5-6
ROCKER LEVERS .....	2-22
ROTATING BEACON .....	13-6
<b>S</b>	
SEAT ASSEMBLY	
AIR.....	1-36
MECHANICAL .....	1-34
SIDE-SHIFT CYLINDER	
SERIES 813 AND 818 .....	11-15
SLEWING CYLINDER	
SERIES 813 AND 818 .....	11-17
STAIR LIGHT.....	13-8
STARTER MOTOR .....	2-85
STEEL DOOR	
LEFT HAND.....	1-22
RIGHT HAND.....	1-20
STEER TIRE AND WHEEL.....	13-16
STEERING AXLE AND ATTACHING PARTS .....	7-6
STEERING AXLE ASSEMBLY .....	7-8
STEERING COLUMN AND ATTACHING PARTS.....	7-2
STEERING COLUMN ASSEMBLY.....	7-4
STEERING CONTROL VALVE.....	7-12
STEERING CYLINDER.....	7-10
STOP KIT ASSEMBLY .....	11-4

## TABLE OF CONTENTS (Continued)

DESCRIPTION	PAGE
<b>T</b>	
THERMOSTAT.....	2-60
THERMOSTAT HOUSING.....	2-94
THROTTLE PEDAL LINKAGE.....	3-14
TILT CYLINDER.....	9-46
TILT CYLINDER AND ATTACHING PARTS.....	9-44
TIRES AND WHEELS	
DRIVE AND STEER	
18.00 X 33 X 36 PLY.....	13-14
TRAINING SEAT.....	1-32
TRANSMISSION	
C330, 40000 SERIES	
CASE AND REAR COVER.....	5-32
ELECTRIC CONTROL VALVE.....	5-64
FIRST SPEED CLUTCH.....	5-54
FIRST SPEED GEARS.....	5-44
FORWARD CLUTCH SHAFT.....	5-46
FORWARD, REVERSE, SECOND AND FOURTH CLUTCH SHAFT.....	5-43
FOURTH SPEED CLUTCH SHAFT.....	5-56
INPUT DRIVE GEARS.....	5-42
MODULATOR VALVE.....	5-66
OUTPUT FLANGE AND SHAFT.....	5-60
OUTPUT SHAFT GEARS.....	5-58
PUMP DRIVE.....	5-38
REGULATING VALVE AND CHARGE PUMP.....	5-62
SECOND AND REVERSE CLUTCH SHAFT.....	5-52
THIRD SPEED CLUTCH SHAFT.....	5-48
THIRD SPEED GEARS.....	5-50
TORQUE CONVERTER AND DRIVE PLATE.....	5-34
TORQUE CONVERTER HOUSING.....	5-40
TURBINE SHAFT, STATOR SUPPORT AND OIL BAFFLE.....	5-36
TRANSMISSION CASE AND REAR COVER	
C290, 36000 SERIES.....	5-8
TRANSMISSION CONTROLLER AND SHIFT LEVER.....	4-8
TRANSMISSION LINES AND ATTACHING PARTS.....	5-2
TURBOCHARGER.....	2-80
TURBOCHARGER PLUMBING.....	2-96
<b>U</b>	
UNDERFLOOR COVER MOUNT.....	1-28
UNIVERSAL SHAFT.....	5-5
<b>V</b>	
VALVE	
EXTENSION CYLINDER	
SERIES 813 AND 818.....	11-23
VALVE ASSEMBLY	
SERIES 813.....	11-26
SERIES 813 AND 818.....	11-28
VALVE COVER.....	2-98
VIBRATION DAMPER.....	2-54

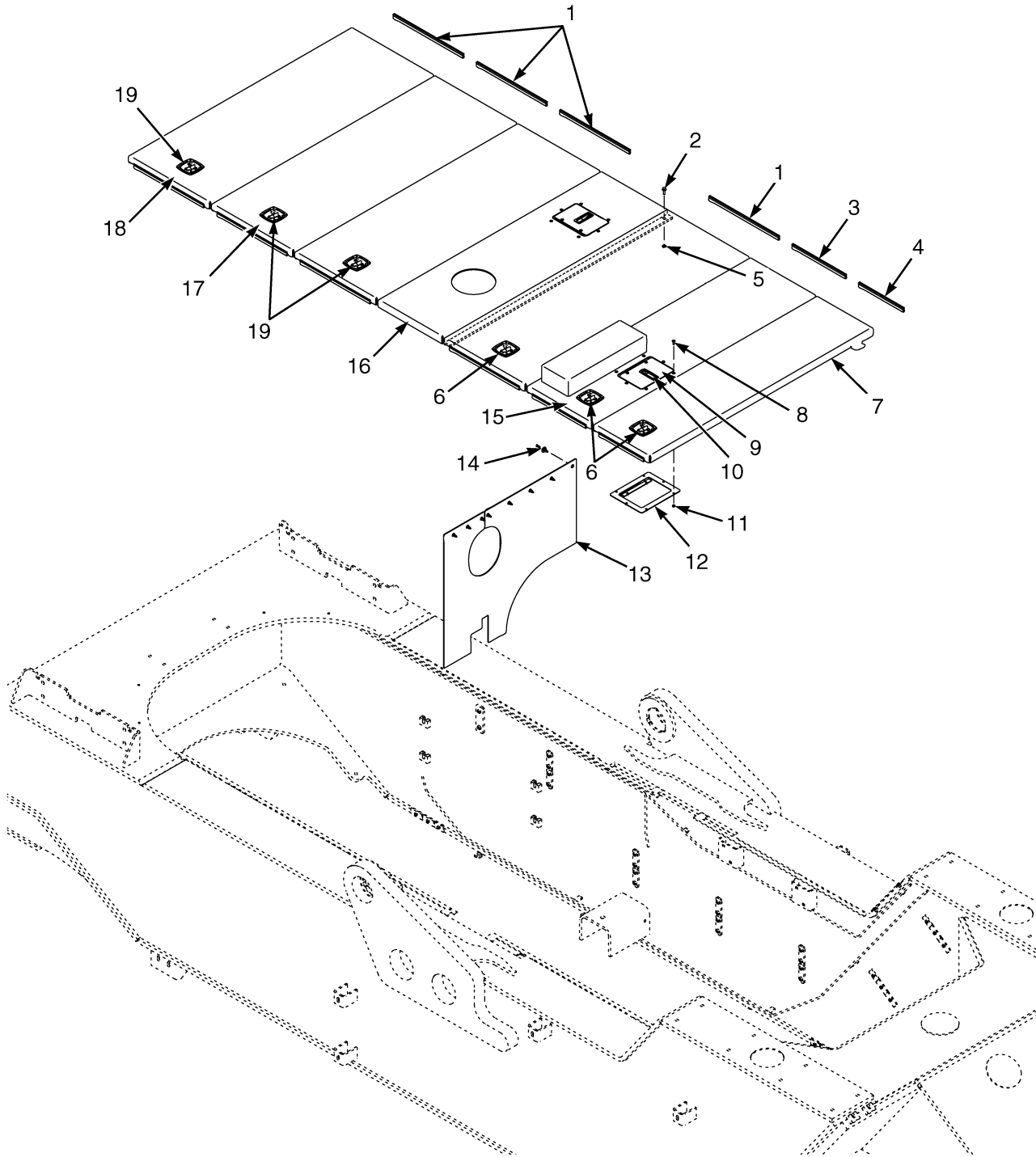
**TABLE OF CONTENTS (Continued)**

DESCRIPTION	PAGE
<b>W</b>	
WATER PUMP.....	2-104
WATER SEPERATOR.....	3-16
WEAR PADS	
SERIES 813 AND 818 .....	11-10
WHEEL AND DRIVE PLATE	
C290, 36000 SERIES .....	5-24
WINDOW INSTALLATION .....	1-54
WINDOW WIPER SYSTEM	
SHEET 1 OF 2.....	1-56
SHEET 2 OF 2.....	1-58
WIRE HARNESS	
ARMREST .....	4-64
CAB LIGHT .....	4-56
CHASSIS .....	4-32
CLOSED CAB	
PENDING PER ECN 68161-65⇒ .....	4-52
⇒PENDING PER ECN 68161-65 .....	4-50
FRONT LIGHTS.....	4-68
JOYSTICK	
⇒PENDING PER ECN 68161-65 .....	4-66
JUMPER .....	4-58
LIGHT SWITCH	
SHEET 1 .....	4-47
SHEET 2 .....	4-48
LUBRICATION PUMP.....	4-46
POWER PILE SLOPE	
MAST .....	4-40
SOLENOID VALVE.....	4-41
REAR.....	4-37
REAR WIPER .....	4-54
ROTATING BEACON .....	4-44
SIDE CONSOLE	
SHEET 1 OF 2	
⇒PENDING PER ECN 68161-65.....	4-70
SHEET 2 OF 2	
⇒PENDING PER ECN 68161-65.....	4-74
STAIR LIGHT .....	4-45
STEERING COLUMN.....	4-59
SWITCHES.....	4-42
TRANSMISSION	
T36000 SERIES .....	4-35
T40000 SERIES.....	4-36
UNDER FLOOR	
⇒PENDING PER ECN 68161-65 .....	4-62
WASH PUMPS .....	4-38
WIRING ACCESSORIES	
ELECTRONIC CONTROL MODULE.....	2-108

**SECTION 1**  
**FRAME**

<b>DESCRIPTION</b>	<b>PAGE</b>
AIR CONDITIONING SYSTEM .....	1-42
ARMREST ASSEMBLY	
SEAT .....	1-40
CAB ATTACHING PARTS .....	1-16
CAB FLOORMATS .....	1-24
CAB MOUNT .....	1-14
CAB PANELS .....	1-30
CAB SOUND REDUCTION .....	1-26
CONDENSER.....	1-46
COUNTERWEIGHT .....	1-10
FABRICATED.....	1-12
COVERS .....	1-2
DOOR ATTACHING PARTS .....	1-18
FLOORPLATES, STEPS, AND RAILS .....	1-4
HEATER AND AIR CONDITIONER ASSEMBLY .....	1-50
HEATER AND AIR CONDITIONER MOUNT .....	1-48
HEATER ASSEMBLY .....	1-52
HEATER HOSE ARRANGEMENT .....	1-44
LABELS .....	1-60
MIRRORS	
FRONT FENDER.....	1-8
PIVOT ARM ASSEMBLY .....	1-38
SEAT ASSEMBLY	
AIR.....	1-36
MECHANICAL .....	1-34
STEEL DOOR	
LEFT HAND.....	1-22
RIGHT HAND.....	1-20
TRAINING SEAT .....	1-32
UNDERFLOOR COVER MOUNT.....	1-28
WINDOW INSTALLATION .....	1-54
WINDOW WIPER SYSTEM	
SHEET 1 OF 2.....	1-56
SHEET 2 OF 2.....	1-58

## COVERS (Figure 1-1)

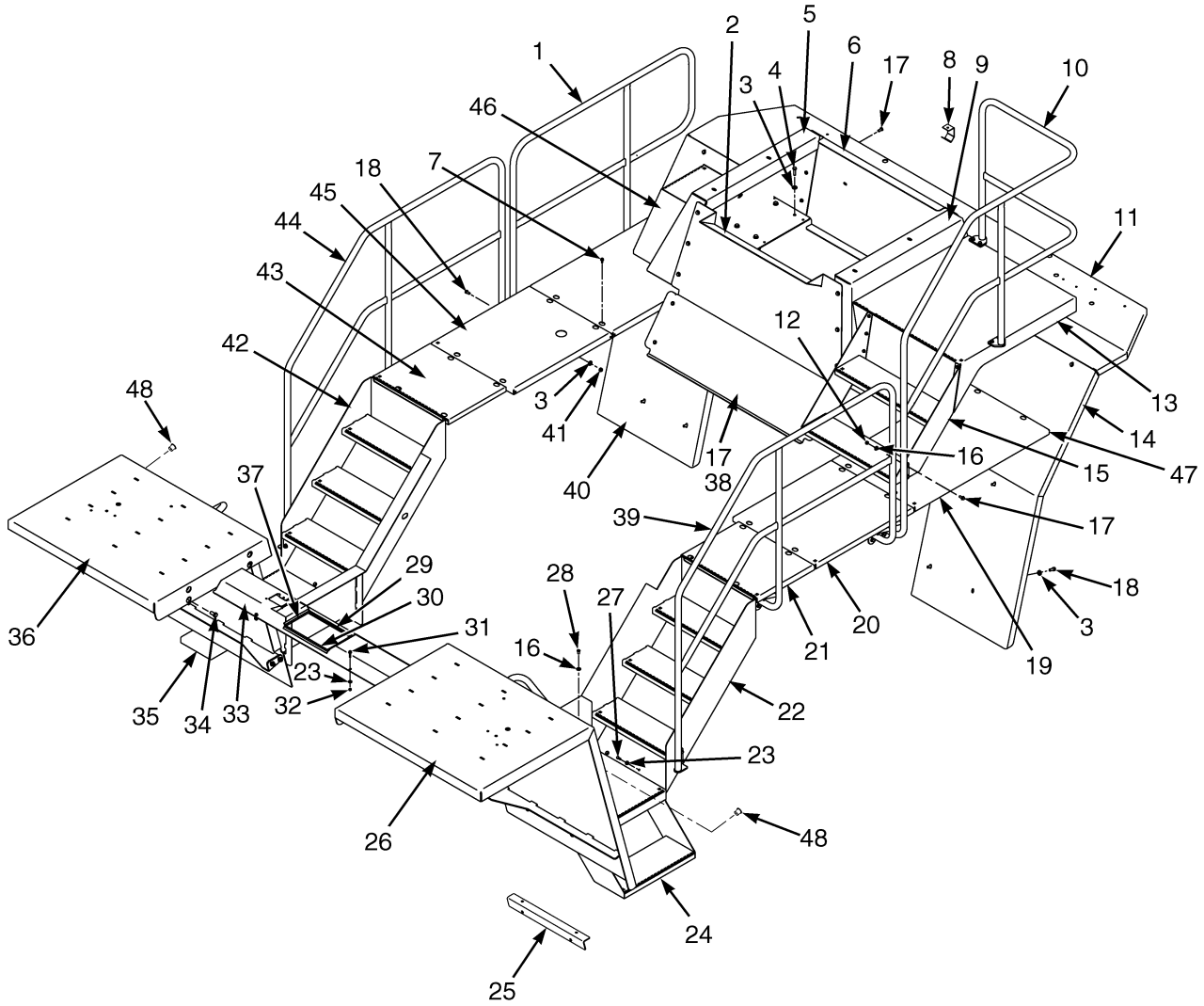


HP120747

**COVERS**

ITEM	PART NO.	DESCRIPTION	QTY
1	1553193	Trim Seal.....	8
2	132861	Capscrew.....	4
3	1553194	Trim Seal.....	2
4	1553195	Trim Seal.....	2
5	320158	Washer .....	4
6	1553504	Latch (Locking) .....	3
7	1552308	Cover (Rear) .....	1
8	296216	Capscrew.....	16
9	1539435	Plate .....	2
10	1530513	Latch.....	2
11	302399	Nut .....	16
12	1539438	Bracket.....	2
13	1560453	Screen (Turbo Protection).....	1
14	1484308	Rivet.....	8
15	1552305	Cover (Engine).....	1
16	1574132	Cover (Pre-Cleaner) .....	1
17	1552303	Cover (Intermediate).....	3
18	1552500	Cover (Front).....	1
19	1553505	Latch (Non-Locking) .....	3
	1608885	Dust Cover (Under Engine) (Not Illusrated).....	3
	320158	Washer (Not Illusrated) .....	12
	176640	Capscrew (Not Illusrated) .....	12

## FLOORPLATES, STEPS, AND RAILS (Figure 1-2)



HP120748

**FLOORPLATES, STEPS, AND RAILS**

ITEM	PART NO.	DESCRIPTION	QTY
1	1518664	Railing (RH) (Rear) .....	1
2	1548749	Plate (Front) .....	1
3	320162	Washer .....	72
4	292531	Capscrew .....	16
5	1579869	Support (RH) (Cab) .....	1
6	1518652	Plate (Rear) .....	1
7	136681	Capscrew .....	24
8	1545536	Bracket (Rear Cover) .....	2
9	1537156	Support (LH) (Cab) .....	1
10	1518634	Railing (LH) (Rear) .....	1
11	1545533	Cover (Counterweight) .....	1
12	302401	Locknut .....	22
13	1518619	Platform .....	1
14	1518660	Fender (LH) (Rear) .....	1
14	a 1566268	Fender (LH) (Rear) .....	1
15	1518614	Step (LH) (Upper Platform) .....	1
16	320160	Washer .....	56
17	136985	Capscrew .....	34
18	246001	Capscrew .....	34
19	1536247	Cover (LH Rear) .....	2
20	1536246	Cover (LH Intermediate) .....	1
21	1553925	Plate (LH) .....	1
22	1543047	Step (LH) .....	1
23	320158	Washer .....	58
24	1546609	Platform (LH) .....	1
25	1546615	Bracket (Front) .....	2
26	1558232	Fender (LH) (Front) .....	1
27	176640	Capscrew .....	20
28	296172	Capscrew .....	4
29	1532378	Trim .....	1
30	1532236	Trim .....	1
31	1528482	Capscrew .....	4
32	302400	Locknut .....	10
33	1532235	Cover (Manifold) .....	1
34	292562	Capscrew .....	8
35	1546608	Platform (RH) .....	1
36	1558231	Fender (RH) (Front) .....	1
37	1532379	Trim .....	2
38	1552309	Plate .....	1
39	1525375	Railing (LH) (Front) .....	1
40	1518659	Fender (RH) (Rear) .....	1
40	a 1566269	Fender (RH) (Rear) .....	1
41	302402	Locknut .....	22
42	1543048	Step (RH) .....	1
43	1525369	Plate (RH) .....	1
44	1518663	Railing (RH) (Front) .....	1
45	1547417	Cover (RH Intermediate) .....	1
46	1518607	Step (RH) (Upper Platform) .....	1

## FLOORPLATES, STEPS, AND RAILS

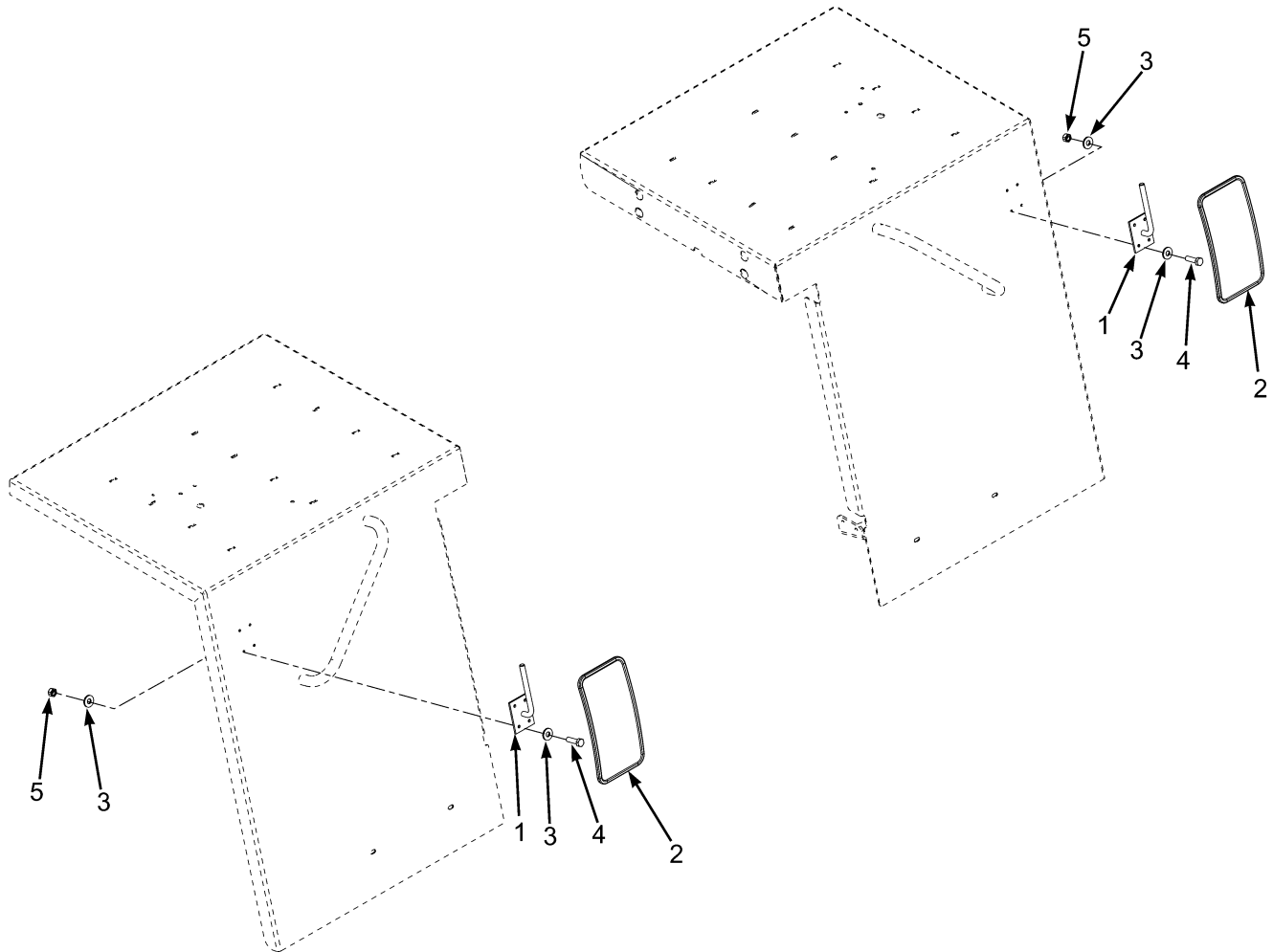
ITEM	PART NO.	DESCRIPTION	QTY
47	1570559	Cover (Plate).....	1
48	1494868	Plug (Without Mirrors).....	8

**FOOTNOTES:**

- a Fabricated Type



## MIRRORS (Figure 1-3) FRONT FENDER

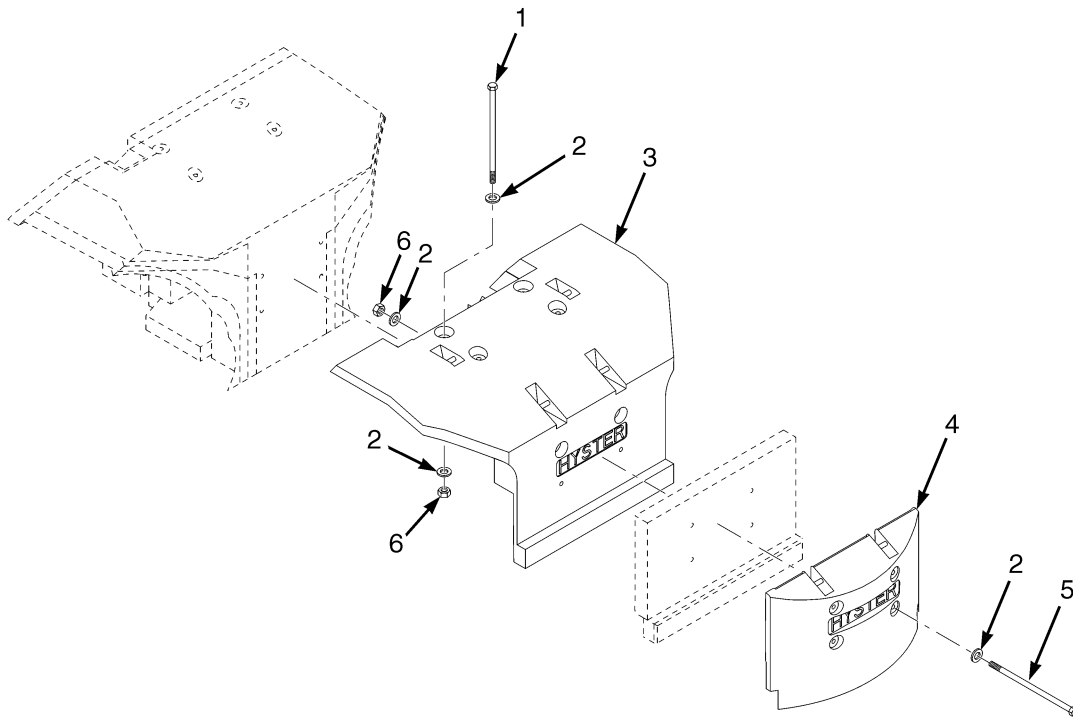


HP120847

**MIRRORS  
FRONT FENDER**

ITEM	PART NO.	DESCRIPTION	QTY
1	1598029	Bracket.....	2
2	886835	Mirror .....	2
3	320158	Washer .....	16
4	176640	Capscrew.....	8
5	302400	Locknut .....	8

## COUNTERWEIGHT (Figure 1-4)



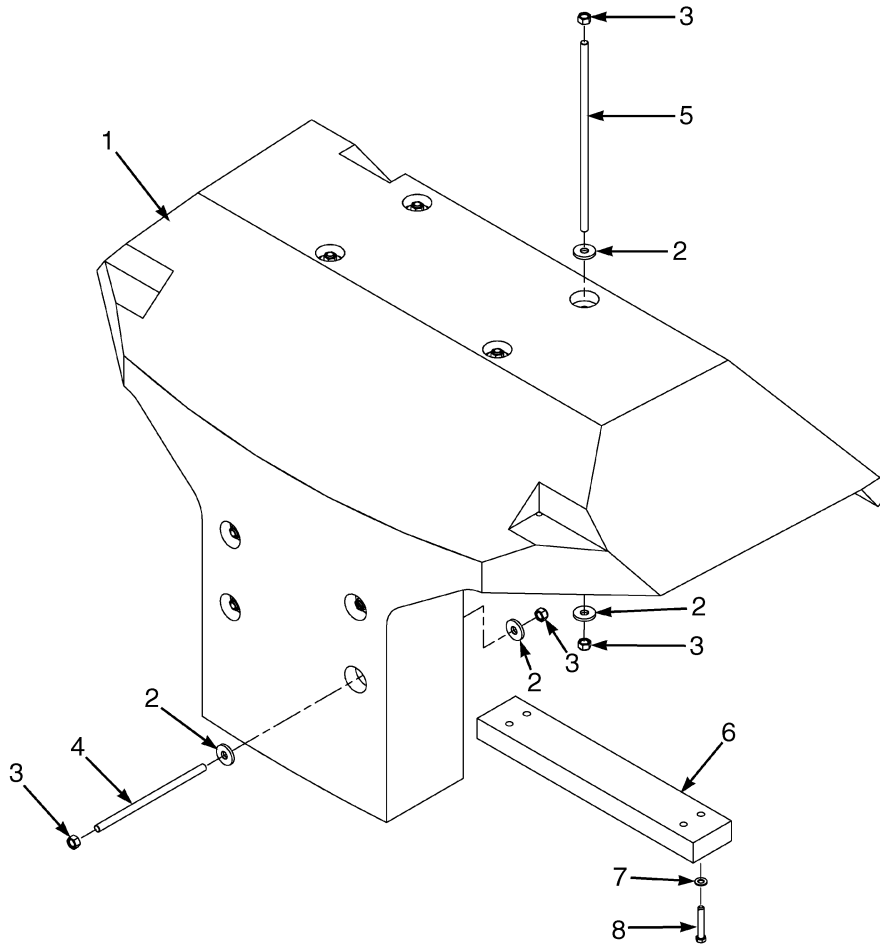
HP120749

- KEY:**  
**A: H40.00XM-16CH**  
**B: H50.00XM-16CH**  
**C: H52.00XM-16CH**

ITEM	PART NO.	DESCRIPTION	QTY		
			A	B	C
1	885190	Tie Rod .....	4	4	4
2	885189	Washer .....	12	16	16
3	889034	Counterweight .....	1	1	1
4	885149	Counterweight .....	..	1	..
4	1542507	Counterweight .....	..	..	1
5	885191	Tie Rod .....	2	..	..
5	885194	Tie Rod .....	..	4	4
6	302407	Locknut .....	6	8	8



## COUNTERWEIGHT (Figure 1-5) FABRICATED

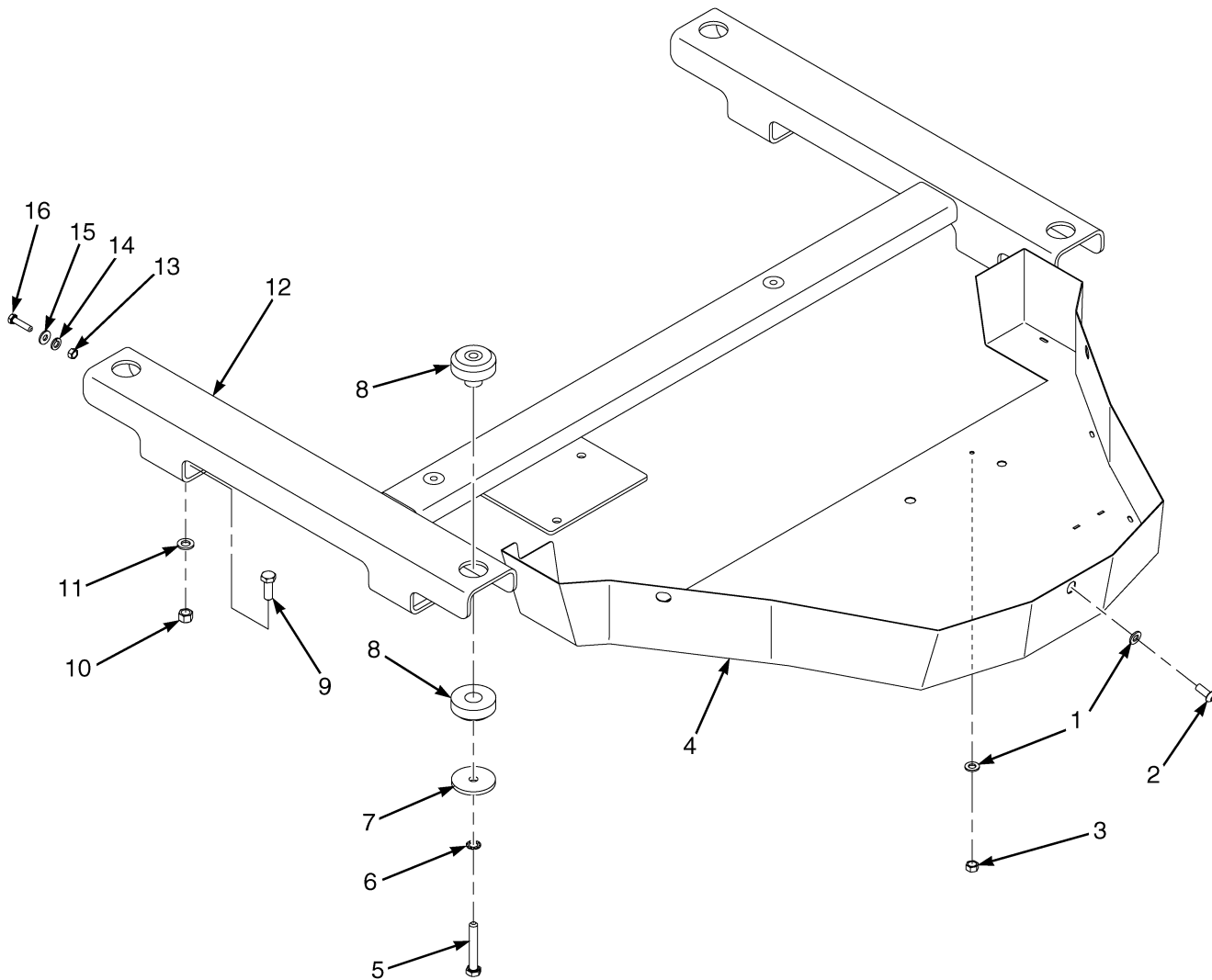


HP120751

**COUNTERWEIGHT  
FABRICATED****KEY:****A: H40.00XM-16CH****B: H44.00XM-16CH****C: H48.00XM-16CH****D: H50,00XM-16CH**

ITEM	PART NO.	DESCRIPTION	QTY			
			A	B	C	D
1	1564340	Counterweight .....	..	1	1	..
1	1571608	Counterweight .....	1	..	..	..
1	1588372	Counterweight .....	..	..	..	1
2	885189	Washer .....	16	16	16	16
3	292661	Nut .....	8	8	8	8
4	1566260	Tie Rod .....	4	4	4	4
5	1566262	Tie Rod .....	4	4	4	4
6	1564348	Slab .....	..	..	1	1
7	320174	Washer .....	..	..	4	4
8	292614	Capscrew.....	..	..	4	4
8	292617	Capscrew.....	..	..	..	4

## CAB MOUNT (Figure 1-6)

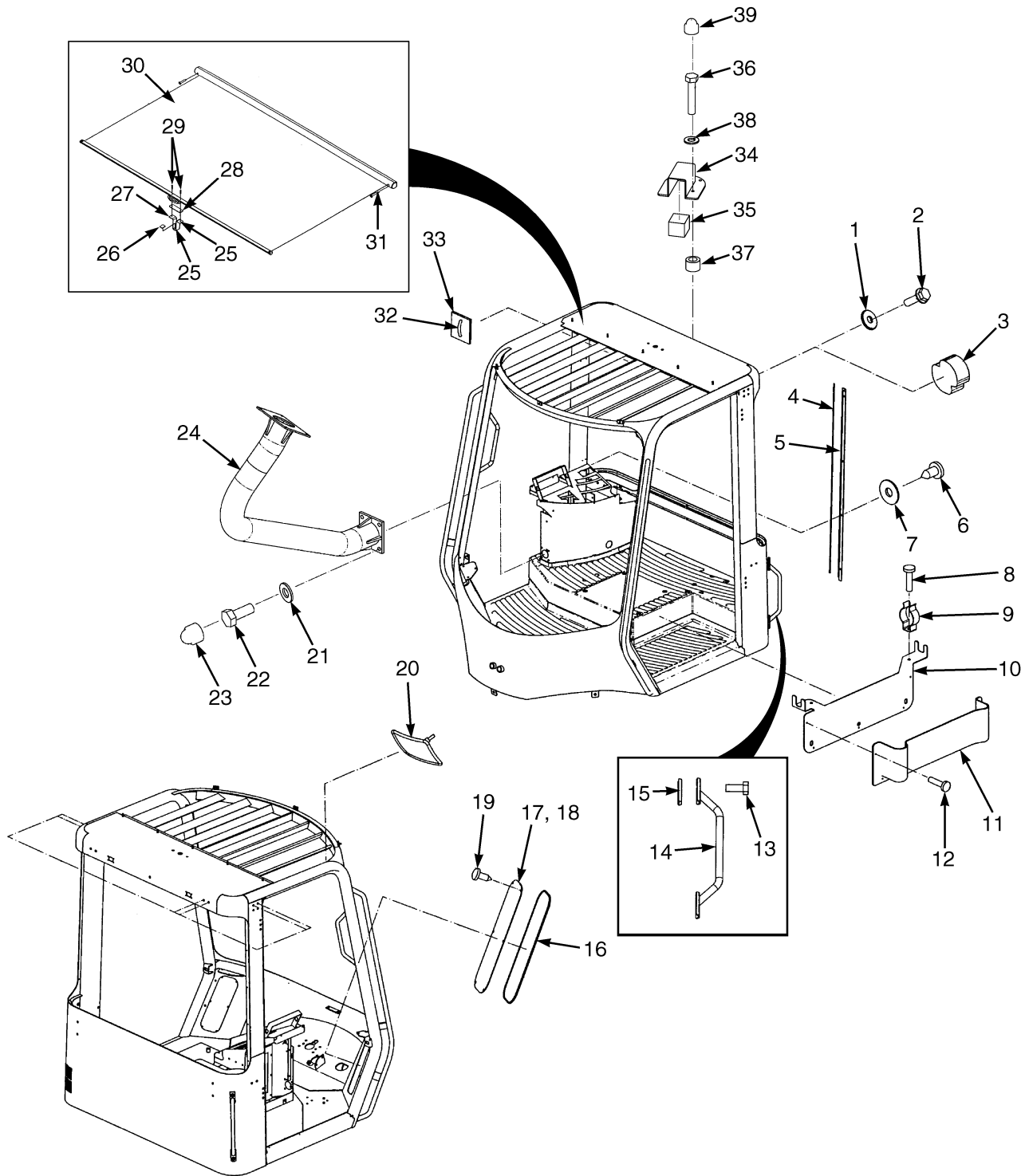


HP120766

**CAB MOUNT**

ITEM	PART NO.	DESCRIPTION	QTY
1	320159	Washer .....	4
2	296173	Capscrew.....	3
3	136692	Nut .....	1
4	1527224	Cover Assembly.....	1
5	292535	Capscrew.....	4
6	296382	Washer .....	4
7	300939	Washer .....	4
8	1486540	Mount.....	4
9	292528	Capscrew.....	4
10	216877	Nut .....	4
11	320162	Washer .....	4
12	1527225	Subframe .....	1
13	302401	Locknut .....	1
14	320160	Washer .....	1
15	296408	Lockwasher.....	1
16	1510117	Capscrew.....	1

## CAB ATTACHING PARTS (Figure 1-7)

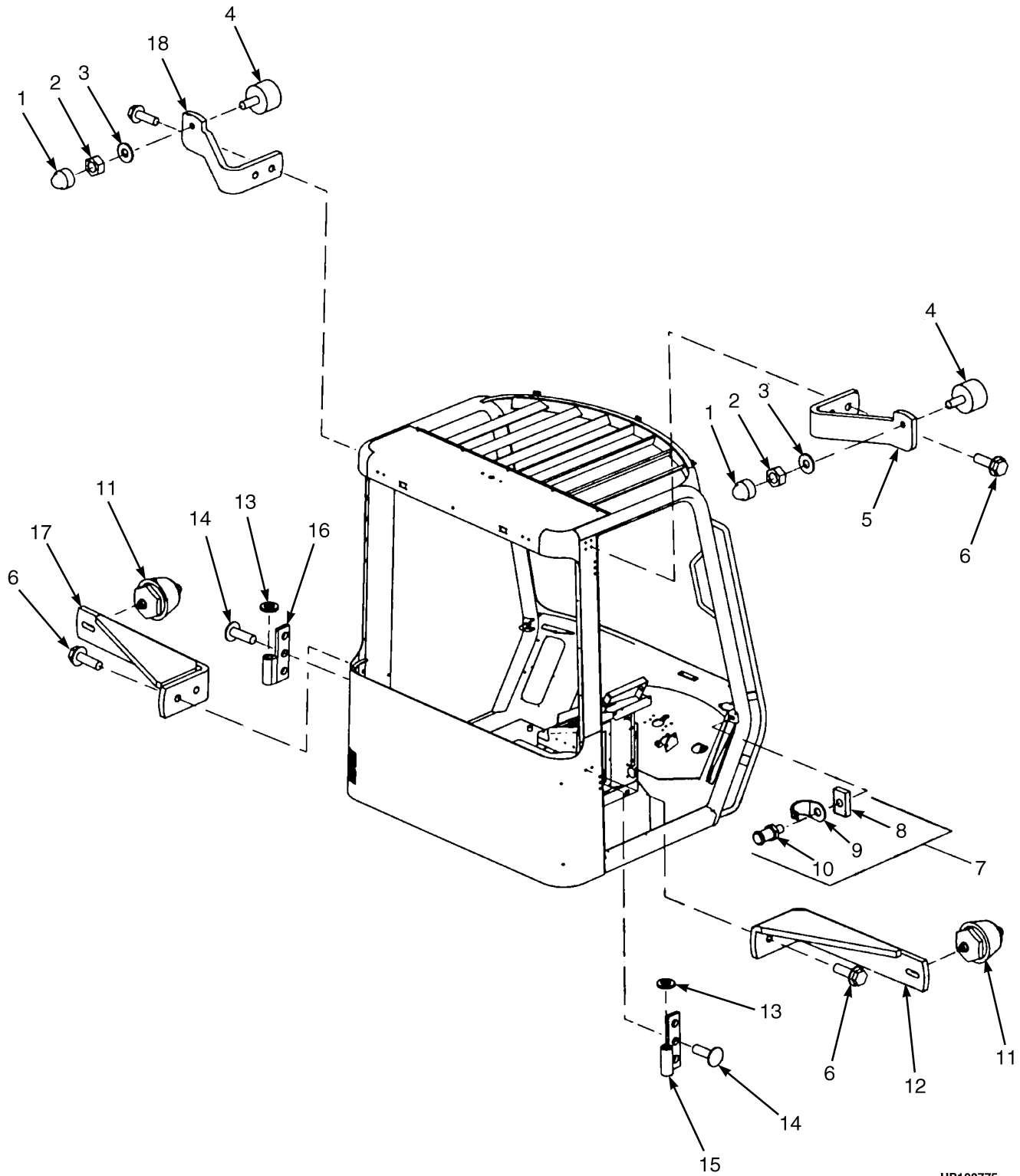


HP120785

**CAB ATTACHING PARTS**

ITEM	PART NO.	DESCRIPTION	QTY
1	1504942	Washer .....	8
2	1566044	Bolt .....	8
3	1558037	Seal .....	2
4	1492167	Cover .....	1
5	1492166	Cover .....	1
6	1468306	Screw.....	5
7	1492140	Washer .....	5
8	1498357	Screw.....	2
9	1498356	Clip .....	2
10	1498355	Bracket.....	1
11	1492133	Cup and Clip Board Holder.....	1
12	1498354	Rivet.....	5
13	1566041	Screw.....	4
14	1498334	Handle (Rear).....	2
14	136681	Capscrew .....	4
14	320158	Washer .....	4
14	1476584	Cap.....	4
15	1498335	Pad .....	4
16	1498362	Seal .....	AR
17	1492197	Plate (LH) .....	1
18	1492198	Plate (RH).....	1
19	1498363	Screw.....	12
20	1493278	Mirror (Interior).....	2
21	296419	Washer .....	4
22	136749	Capscrew.....	4
23	1476584	Cap .....	4
24	1571812	Handle .....	1
25	1493322	Adhesive .....	AR
26	1506748	Pad (Rubber) .....	1
27	1506750	Clamp .....	1
28	1506749	Pad (Rubber) .....	1
29	1498357	Screw.....	2
30	1506751	Sunshade (Top) .....	1
30	1570557	Sunshade (Rear) .....	1
31	1468318	Screw.....	2
32	1393499	Clamp .....	1
33	1558036	Clip .....	1
34	1571804	Bracket.....	1
35	1571803	Foam.....	AR
36	1571802	Screw.....	4
37	1571841	Spacer .....	4
38	320156	Washer .....	8
39	1493397	Cover .....	4

## DOOR ATTACHING PARTS (Figure 1-8)



HP120775



**Suggest:**

**For more complete manuals. Please go to the home page.**

**<https://www.ebooklibonline.com>**

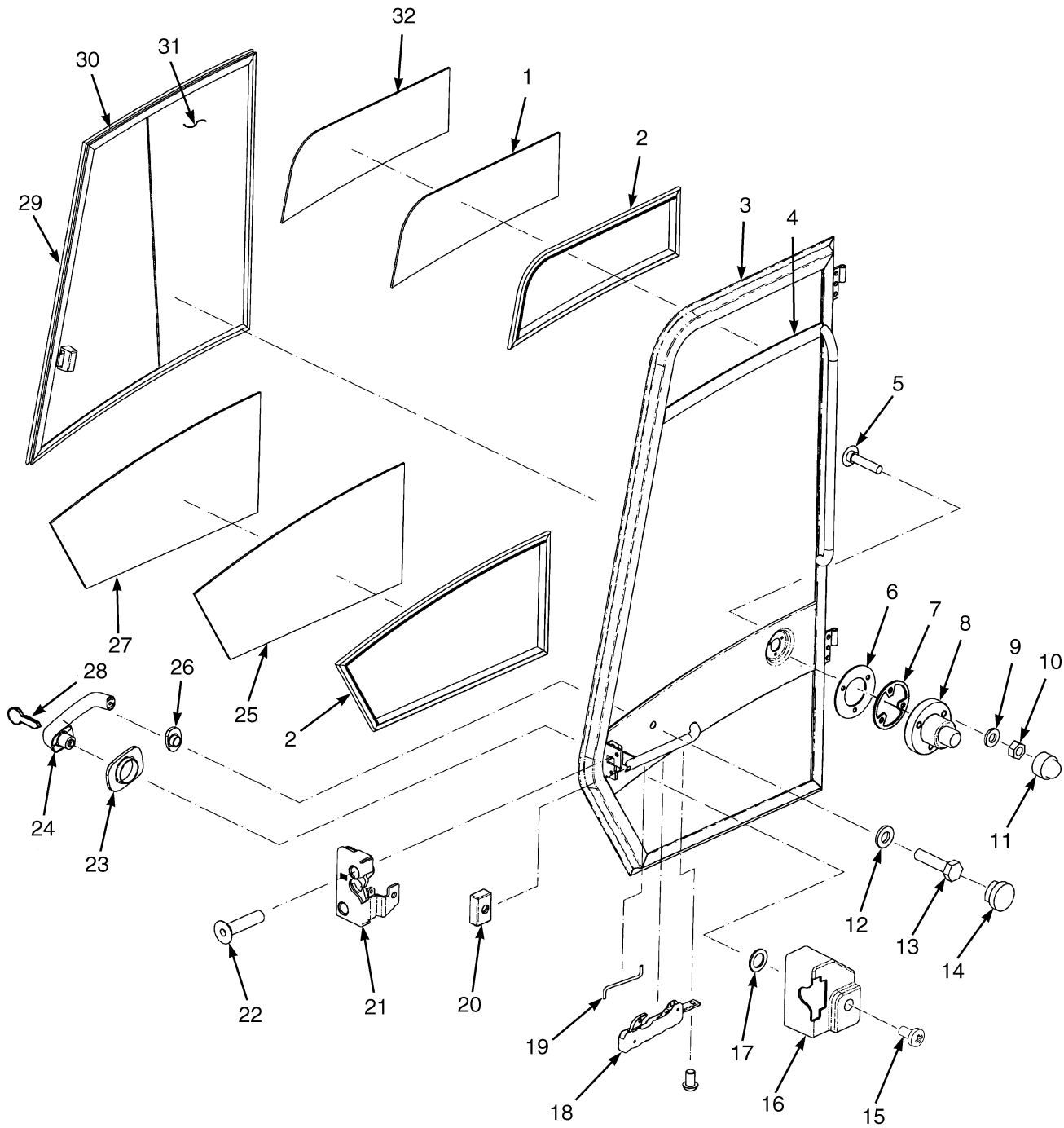
**If the above button click is invalid. Please download this document first, and then click the above link to download the complete manual.**

**Thank you so much for reading**

**DOOR ATTACHING PARTS**

ITEM	PART NO.	DESCRIPTION	QTY
1	1476584	Cap .....	2
2	316835	Nut .....	2
3	1571029	Washer .....	2
4	1493316	Bumper .....	2
5	1571616	Bracket (RH) .....	1
6	1566044	Bolt .....	8
7	1493318	Bolt Assembly (Striker) .....	2
8	1504953	Block .....	1
9	1504954	Guard (Striker Bolt) .....	1
10	1504955	Bolt (Striker) .....	1
11	1493313	Bumper .....	2
12	1571618	Bracket (RH) .....	1
13	1468312	Washer .....	4
14	1493308	Bolt .....	12
15	1393474	Hinge (RH) .....	2
16	1393473	Hinge (LH) .....	2
17	1571619	Bracket (LH) .....	1
18	1571617	Bracket (LH) .....	1

## STEEL DOOR (Figure 1-9) RIGHT HAND



HP120796

**<https://www.ebooklibonline.com>**

Hello dear friend!

Thank you very much for reading.

Enter the link into your browser.

The full manual is available for immediate download.

**<https://www.ebooklibonline.com>**