

PARTS MANUAL

**E1.50XM, E1.75XM, E2.00XM,
E2.00XMS
(E114)**

CUSTOMER EDITION

HYSTER

SECTIONS

1	FRAME
2	ELECTRICAL SYSTEM
3	DRIVE UNIT
4	STEERING SYSTEM
5	BRAKE/ACCELERATOR SYSTEM
6	HYDRAULIC SYSTEM
7	MAST-TWO STAGE LIMITED FREE-LIFT
8	MAST-THREE STAGE FULL FREE-LIFT
9	MAST-TWO STAGE FULL FREE-LIFT
10	OPTIONS
11	NUMERICAL INDEX

TABLE OF CONTENTS

DESCRIPTION	PAGE
A	
ACCELERATOR ASSEMBLY	5-14
ACCELERATOR PEDAL.....	5-16
B	
BRAKE AND BACK-UP LIGHTS	
WITH AUDIBLE ALARM	2-26
BRAKE ASSEMBLY	5-4
BRAKE PEDAL ASSEMBLY	5-2
C	
CARRIAGE	
THREE STAGE FULL FREE LIFT	
C555 SERIES.....	8-42
THREE STAGE FULL FREE-LIFT	
A555 SERIES.....	8-18
TWO STAGE FULL FREE-LIFT	
A559 SERIES.....	9-16
C559 SERIES.....	9-36
TWO STAGE LIMITED FREE-LIFT	
A551 SERIES.....	7-12
CONNECTING HOSES	
THREE STAGE FULL FREE-LIFT	
C555 SERIES.....	8-48
CONTACTOR	
LINE.....	2-14
POWER STEERING	2-16
CONTACTOR PANEL ASSEMBLY	
CONTACTOR HYDRAULIC	2-18
LINE AND POWER STEERING	2-12
CONTROL PANEL	
CONTACTOR HYDRAULIC	2-10
TRACTION AND PUMP CONTROLLER	2-8
CONTROL VALVE	
FOUR FUNCTION	6-30
THREE FUNCTION	6-26
CONTROL VALVE ATTACHING PARTS.....	6-22
COUNTERWEIGHT	1-14
COVERS	1-10
COWL AND FLOOR PLATES	1-6
D	
DASH DISPLAY	2-6
DIFFERENTIAL.....	3-6
DRIVE AXLE	3-8
E	
ELECTRICAL SYSTEM.....	2-2

<https://www.ebooklibonline.com>

Hello dear friend!

Thank you very much for reading.

Enter the link into your browser.

The full manual is available for immediate download.

<https://www.ebooklibonline.com>

TABLE OF CONTENTS (Continued)

DESCRIPTION	PAGE
F	
FORKS	1-2
FREE LIFT	
THREE STAGE FULL FREE-LIFT	
C555 SERIES.....	8-38
FREE-LIFT	
THREE STAGE FULL FREE-LIFT	
A555 SERIES.....	8-10
TWO STAGE FULL FREE-LIFT	
A559 SERIES.....	9-8
C559 SERIES.....	9-32
FREE-LIFT CYLINDER	
THREE STAGE FULL FREE-LIFT	
A555 SERIES.....	8-16
C555 SERIES.....	8-40
TWO STAGE FULL FREE-LIFT	
A559 SERIES.....	9-14
C559 SERIES.....	9-34
FRONT LIGHT.....	2-20
FULL SUSPENSION SEAT	
SHEET 1 OF 2.....	1-24
SHEET 2 OF 2.....	1-26
G	
GEAR PUMP.....	4-10
H	
HAND LEVERS	6-20
HEADER HOSE	
THREE STAGE FULL FREE-LIFT	
A555 SERIES.....	8-20
TWO STAGE FULL FREE-LIFT	9-18
TWO STAGE LIMITED FREE-LIFT	
A551 SERIES.....	7-14
HEADER HOSES	
THREE STAGE FULL FREE-LIFT	
C555 SERIES.....	8-44
TWO STAGE FULL FREE-LIFT	
C559 SERIES.....	9-38
TWO STAGE LIMITED FREE-LIFT	
C551 SERIES.....	7-26
HOOD.....	1-16
HYDRAULIC MOTOR	
AC HYDRAULICS	6-8
DC HYDRAULICS.....	6-10
HYDRAULIC MOTOR MOUNT.....	6-6
HYDRAULIC PUMP	
19 CC DOUBLE GEAR PUMP LOW NOISE	6-12
DC HYDRAULICS	
12 CC	6-14
HYDRAULIC SUPPLY AND RETURN.....	6-2
HYDRAULIC TANK.....	6-4

TABLE OF CONTENTS (Continued)

DESCRIPTION	PAGE
I	
INNER MAST	
THREE STAGE FULL FREE-LIFT	
A555 SERIES.....	8-6
C555 SERIES.....	8-28
TWO STAGE FULL FREE-LIFT	
A559 SERIES.....	9-4
TWO STAGE LIMITED FREE-LIFT	
A551 SERIES.....	7-4
C551 SERIES.....	7-18
C559 SERIES.....	9-24
INTEGRAL SIDE-SHIFT CARRIAGE	
TWO AND THREE STAGE FULL FREE-LIFT	
A555 AND A559 SERIES.....	10-4
C555 AND C559 SERIES.....	10-6
TWO STAGE LIMITED FREE-LIFT.....	10-2
INTEGRAL SIDE-SHIFT CYLINDER.....	
	10-8
INTEGRAL SIDE-SHIFT HYDRAULIC HOSES	
TWO AND THREE STAGE FULL FREE-LIFT	
A555 AND A559 SERIES.....	10-11
C555 AND C559 SERIES.....	10-12
TWO STAGE LIMITED FREE-LIFT.....	10-10
INTERMEDIATE MAST	
THREE STAGE FULL FREE-LIFT	
A555 SERIES.....	8-4
C555 SERIES.....	8-26
L	
LABEL AND PLATE LOCATION.....	1-20
LOAD BACKREST EXTENSION.....	1-4
M	
MAIN CYLINDER	
THREE STAGE FULL FREE-LIFT	
LEFT HAND, A555 SERIES.....	8-12
RIGHT HAND, A555 SERIES.....	8-14
TWO STAGE FULL FREE-LIFT	
LEFT HAND, A559 SERIES.....	9-10
RIGHT HAND, A559 SERIES.....	9-12
TWO STAGE LIMITED FREE-LIFT	
LEFT HAND, A551 SERIES.....	7-8
RIGHT HAND, A551 SERIES.....	7-10
MAIN LIFT	
THREE STAGE FULL FREE-LIFT	
A555 SERIES.....	8-8
C555 SERIES.....	8-30
TWO STAGE FULL FREE-LIFT	
A559 SERIES.....	9-6
C559 SERIES.....	9-26
TWO STAGE LIMITED FREE-LIFT	
A551 SERIES.....	7-6
C551 SERIES.....	7-20

TABLE OF CONTENTS (Continued)

DESCRIPTION	PAGE
M (continued)	
MAIN LIFT CYLINDER	
THREE STAGE FULL FREE-LIFT	
LEFT HAND, C555 SERIES.....	8-34
RIGHT HAND, C555 SERIES.....	8-36
TWO STAGE FULL FREE-LIFT	
LEFT HAND, C559 SERIES.....	9-30
RIGHT HAND, C559 SERIES.....	9-28
TWO STAGE LIMITED FREE-LIFT	
LEFT HAND, C551 SERIES.....	7-24
RIGHT HAND, C551 SERIES.....	7-22
MAST INSTALLATION.....	6-16
MASTER CYLINDER.....	5-8
O	
OUTER MAST	
THREE STAGE FULL FREE-LIFT	
A555 SERIES.....	8-2
C555 SERIES.....	8-24
TWO STAGE FULL FREE-LIFT	
A559 SERIES.....	9-2
C559 SERIES.....	9-22
TWO STAGE LIMITED FREE-LIFT	
A551 SERIES.....	7-2
C551 SERIES.....	7-16
OVERHEAD GUARD.....	1-12
P	
PARK BRAKE LEVER.....	5-10
S	
SEMI-SUSPENSION SEAT.....	1-22
SHIFT LEVER.....	4-4
STEERING AXLE.....	4-12
STEERING CYLINDER.....	4-14
STEERING HYDRAULICS.....	4-8
STEERING POD.....	4-2
STEERING PUMP.....	4-6
T	
TAIL LIGHT ASSEMBLY.....	2-28
TILT CYLINDER.....	6-18
TIRE AND WHEEL	
DRIVE WHEEL	
CUSHION.....	3-14
SOLID SNAP ON TIRE.....	3-16
STEERING.....	4-15
TRACTION MOTOR	
SHEET 1 OF 2.....	3-10
SHEET 2 OF 2.....	3-12

TABLE OF CONTENTS (Continued)

DESCRIPTION	PAGE
T (continued)	
TRANSMISSION	3-2
W	
WIRE HARNESS	
LIGHTS	2-30
MAIN	2-4
WORK LIGHT	2-24
WITH AMBER STROBE	2-22

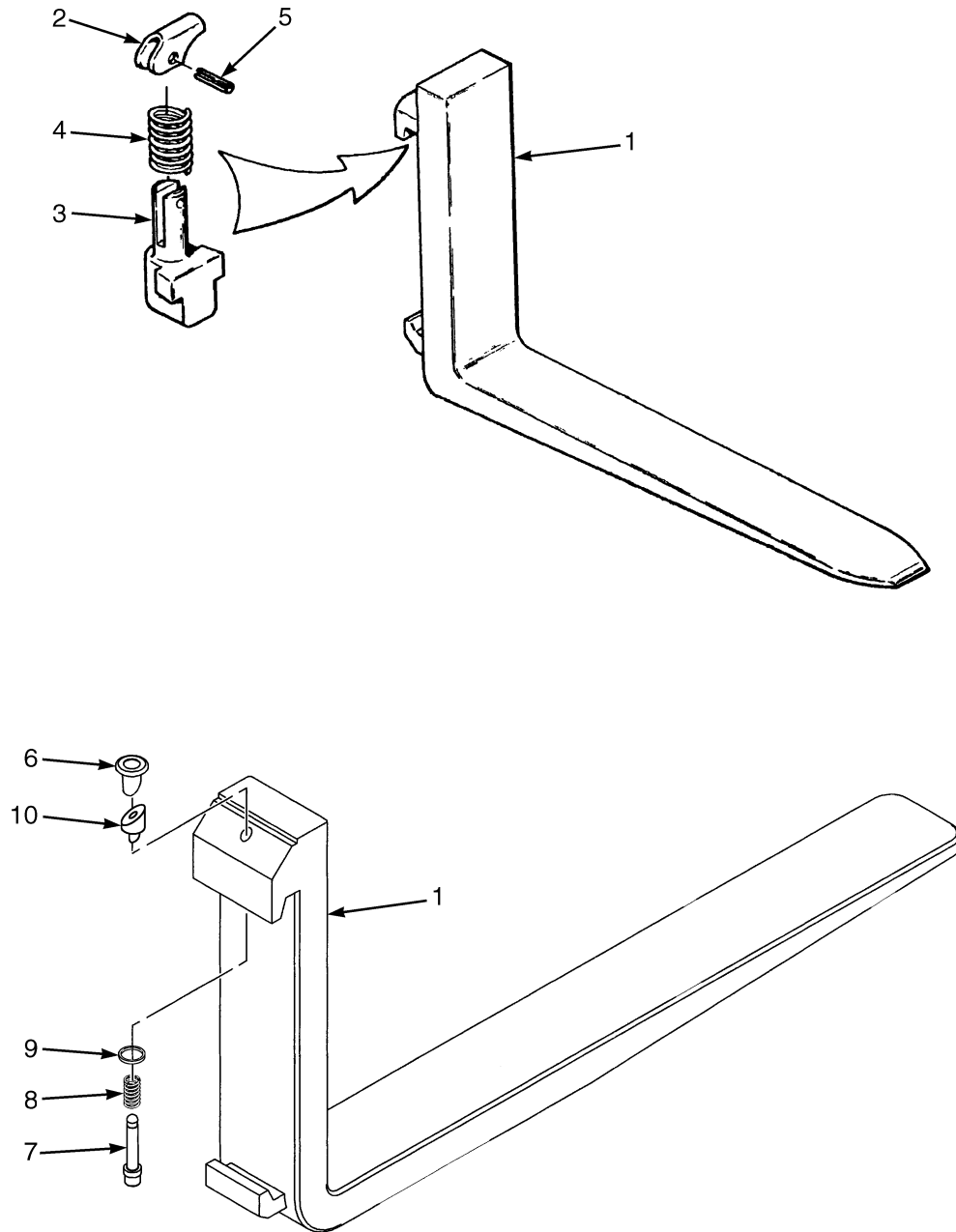
1

FRAME

**SECTION 1
FRAME**

DESCRIPTION	PAGE
COUNTERWEIGHT	1-14
COVERS	1-10
COWL AND FLOOR PLATES	1-6
FORKS	1-2
FULL SUSPENSION SEAT	
SHEET 1 OF 2	1-24
SHEET 2 OF 2	1-26
HOOD	1-16
LABEL AND PLATE LOCATION	1-20
LOAD BACKREST EXTENSION	1-4
OVERHEAD GUARD	1-12
SEMI-SUSPENSION SEAT	1-22

FORKS (Figure 1-1)



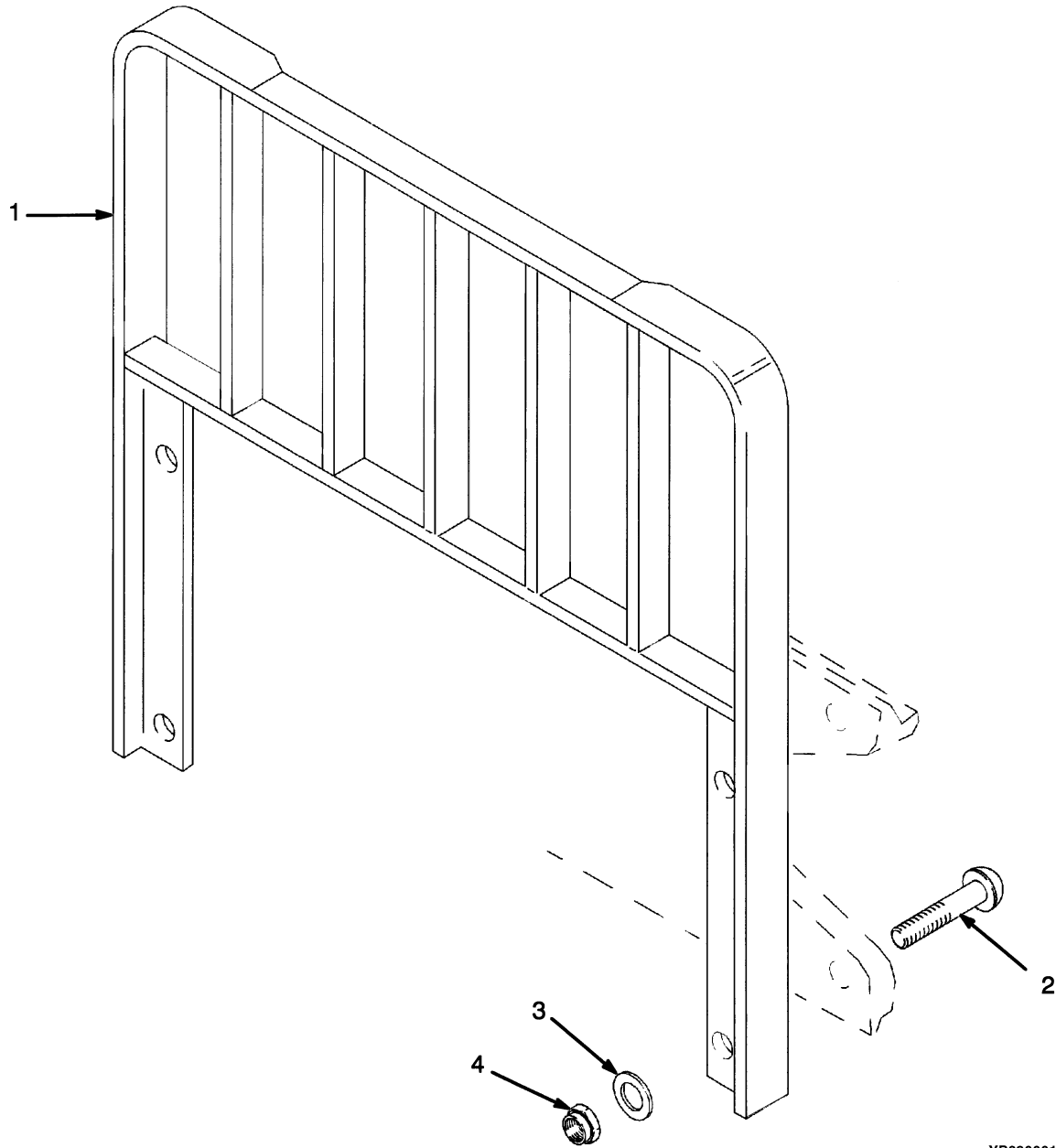
HP120759

FORKS**KEY:****A: Standard Taper****B: Full Bottom Taper**

ITEM	PART NO.	DESCRIPTION	QTY	
			A	B
1	b 1327021	Fork (991 mm)	2	..
1	b 1327022	Fork (1092 mm)	2	..
1	b 1327023	Fork (1194 mm)	2	..
1	a 1333043	Fork (1000 mm)	2	..
1	a 1333044	Fork (1100 mm)	2	..
1	b 1378776	Fork (991 mm)	2
1	b 1378777	Fork (1092 mm)	2
1	b 1378779	Fork (1194 mm)	2
1	a 1378793	Fork (991 mm)	2
1	a 1378794	Fork (1092 mm)	2
2	1378763	Latch.....	..	1
3	1378760	Pin	1
4	1378762	Spring.....	..	1
5	302450	Pin	1
6	1523732	Knob	1	..
7	1523733	Pin	1	..
8	1500782	Spring.....	1	..
9	c 1477166	Washer	1	..
10	c 1477167	Wedge	1	..
	1523735	Latch Kit (Class II) (Includes Items 6-10)	2	..
	1378765	Latch Kit (Class II) (Includes Items 2-5)	2

FOOTNOTES:**a** (100 mm x 40 mm)**b** (80 mm x 40 mm)**c** Refer to Latch Kit Installation Instruction

LOAD BACKREST EXTENSION (Figure 1-2)

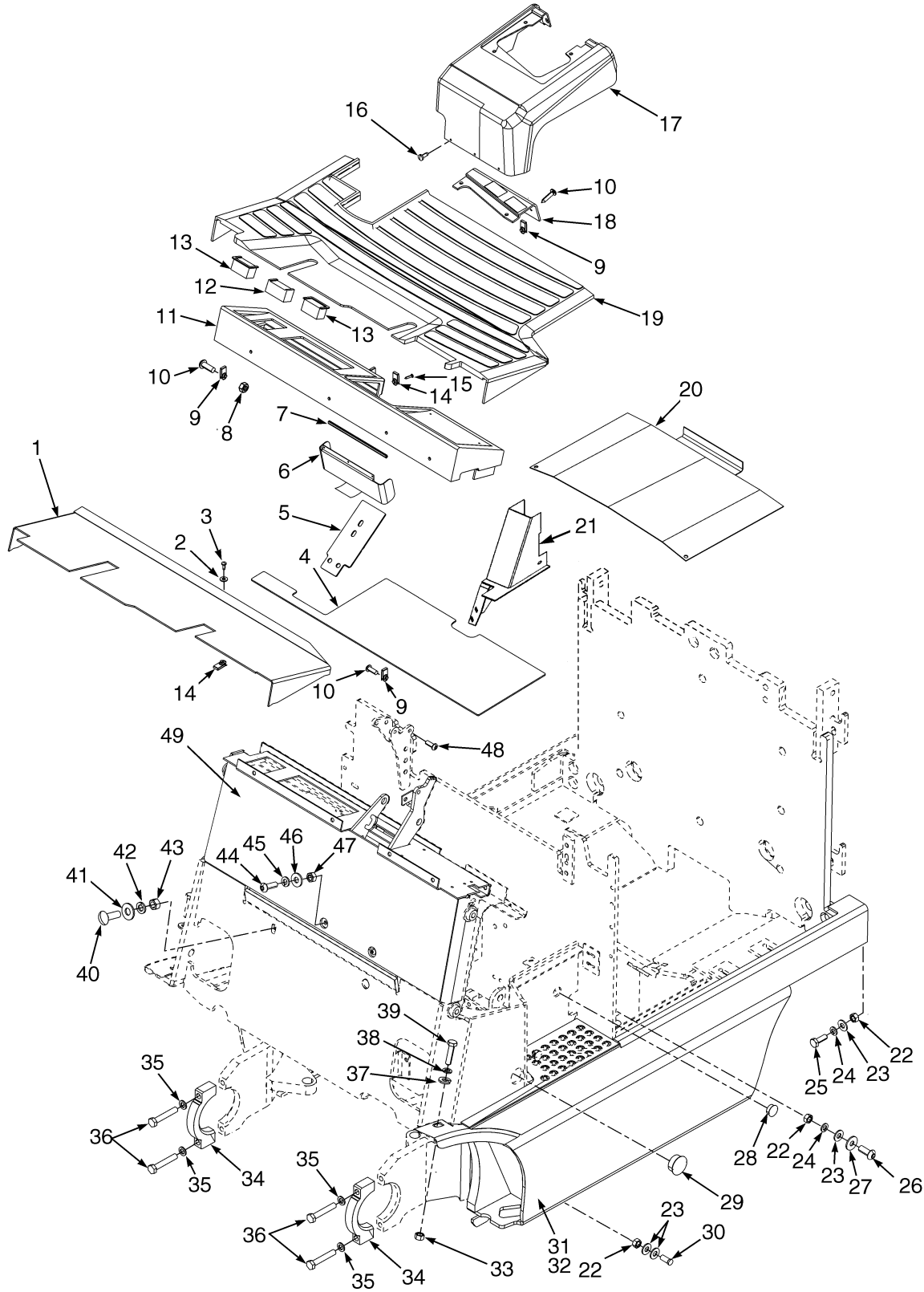


YP290001

LOAD BACKREST EXTENSION

ITEM	PART NO.	DESCRIPTION	QTY
1	1349440	Load Backrest Extension (906,8 mm).....	1
2	1343990	Capscrew (With Side-Shift Carriage).....	4
2	1353533	Capscrew.....	4
3	221771	Washer	4
3	296423	Washer (Optional).....	4
4	300937	Locknut	4

COWL AND FLOOR PLATES (Figure 1-3)



BP120107

COWL AND FLOOR PLATES**KEY:****A: 878 mm Battery Compartment****B: 909 mm Battery Compartment**

ITEM	PART NO.	DESCRIPTION	QTY	
			A	B
1	2072295	Floorplate.....	1	1
2	15127	Washer	3	3
3	296161	Capscrew.....	3	3
4	2026813	Floorplate.....	1	1
5	2065835	Liner.....	1	1
6	1364395	Cover	1	1
7	1376812	Trim.....	1	1
8	169874	Nut	4	4
9	1381918	Nut (Foldover).....	2	2
10	1381919	Screw.....	2	2
11	2065834	Dash	1	1
12	1382312	Mounting Panel.....	1	1
13	1382311	Mounting Panel.....	2	2
13	g 1382313	Mounting Panel.....	3	3
14	1354323	Nut (Foldover).....	14	14
15	353144	Capscrew.....	8	8
16	1364399	Screw.....	3	3
17	2065839	Cover	1	1
18	1381910	Cover	1	1
19	2026804	Floor Mat	1	1
20	2023947	Cover	1	1
21	f 2026823	Cover (Weldment).....	1	1
21	e 2026824	Cover (Weldment).....	1	1
22	136692	Nut	9	9
23	1356113	Washer	11	11
24	292682	Lockwasher.....	9	9
25	136985	Capscrew.....	4	4
26	2069458	Capscrew.....	1	1
27	1324577	Washer	1	1
28	1389590	Plug	3	3
29	1356377	Plug	2	2
30	287860	Capscrew.....	2	2
31	c 1551538	Fender (LH)	1	..
31	c 1553908	Fender (LH)	1
31	d 1550700	Fender (LH)	1	..
31	d 1553909	Fender (LH)	1
31	a 1550701	Fender (LH)	1	..
31	a 1553910	Fender (LH)	1
32	c 1553737	Fender (RH).....	1	..
32	c 1550702	Fender (RH).....	..	1
32	d 1553738	Fender (RH).....	1	..
32	d 1550703	Fender (RH).....	..	1
32	a 1553739	Fender (RH).....	1	..
32	a 1553672	Fender (RH).....	..	1
33	216877	Nut	2	2
34	2029860	Trunnion Cap	2	2

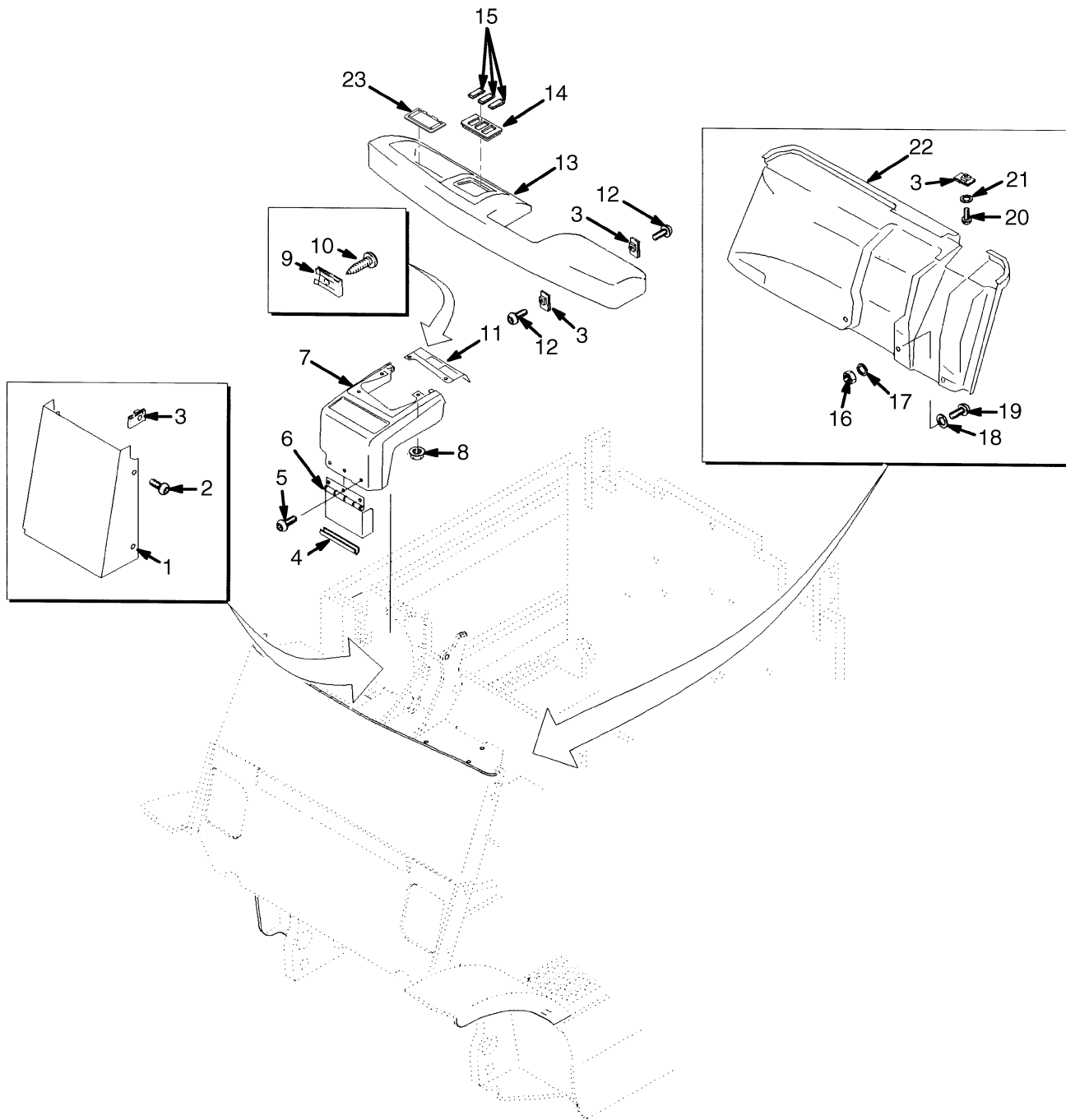
COWL AND FLOOR PLATES

ITEM	PART NO.	DESCRIPTION	QTY	
			A	B
35	2021834	Washer	4	4
36	292533	Capscrew	4	4
37	320162	Washer	4	4
38	292683	Lockwasher.....	2	2
39	292529	Capscrew	2	2
40	17105	Bolt	2	2
41	15156	Lockwasher.....	2	2
42	15176	Washer	8	8
43	15056	Nut	2	2
44	296167	Capscrew	2	2
45	292681	Lockwasher.....	2	2
46	320158	Washer	2	2
47	239503	Nut	2	2
48	18494	Capscrew	1	1
49	1551686	Cowl.....	1	1
50	b 296159	Capscrew	3	3
51	b 1326939	Cap	1	1

FOOTNOTES:

- a** Extra Wide Tread
- b** Not Illustrated
- c** Standard Tread
- d** Wide Tread
- e** With High Hood
- f** With Low Hood
- g** Without Lights

COVERS (Figure 1-4)



HP120625

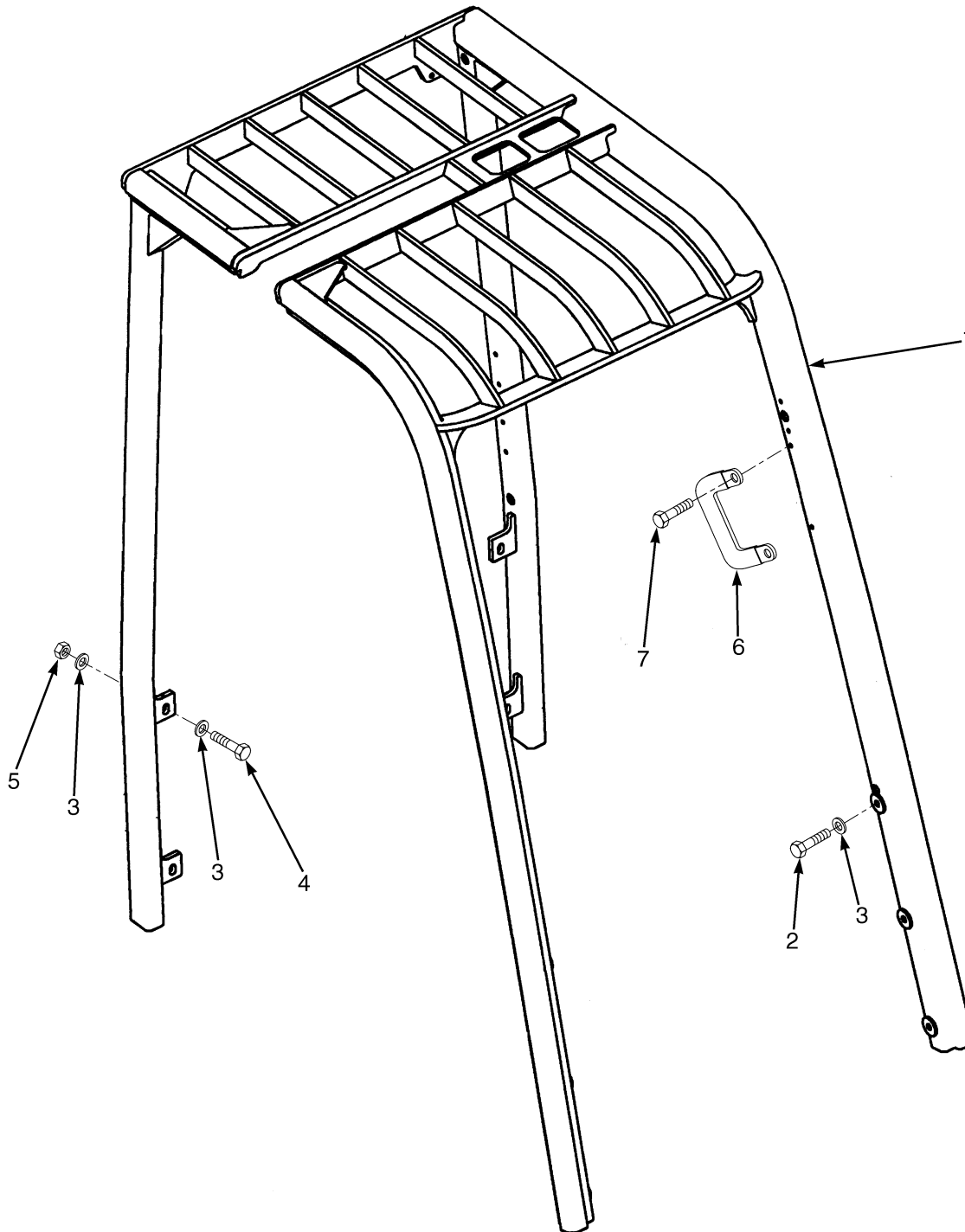
COVERS

ITEM	PART NO.	DESCRIPTION	QTY
1	b 2026824	Cover (Weldment).....	1
1	c 2026823	Cover (Weldment).....	1
2	296159	Capscrew.....	3
3	1354323	Nut (Foldover).....	14
4	1376812	Trim.....	1
5	1364399	Screw.....	3
6	1364395	Cover.....	1
7	2065839	Cover.....	1
8	169874	Nut.....	4
9	1381918	Nut (Foldover).....	2
10	1381919	Screw.....	2
11	1381910	Cover.....	1
11	a 2066939	Cover.....	1
12	353144	Capscrew.....	7
13	2065834	Dash.....	1
14	1382312	Mounting Panel.....	1
15	1382313	Mounting Panel.....	3
16	239503	Nut.....	2
17	292681	Lockwasher.....	2
18	320158	Washer.....	2
19	296167	Capscrew.....	2
20	296161	Capscrew.....	3
21	15127	Washer.....	3
22	2065835	Liner.....	1
23	1382311	Mounting Panel.....	2

FOOTNOTES:

- a** Optional
- b** With Raised Battery
- c** Without Raised Battery

OVERHEAD GUARD (Figure 1-5)



HP120764

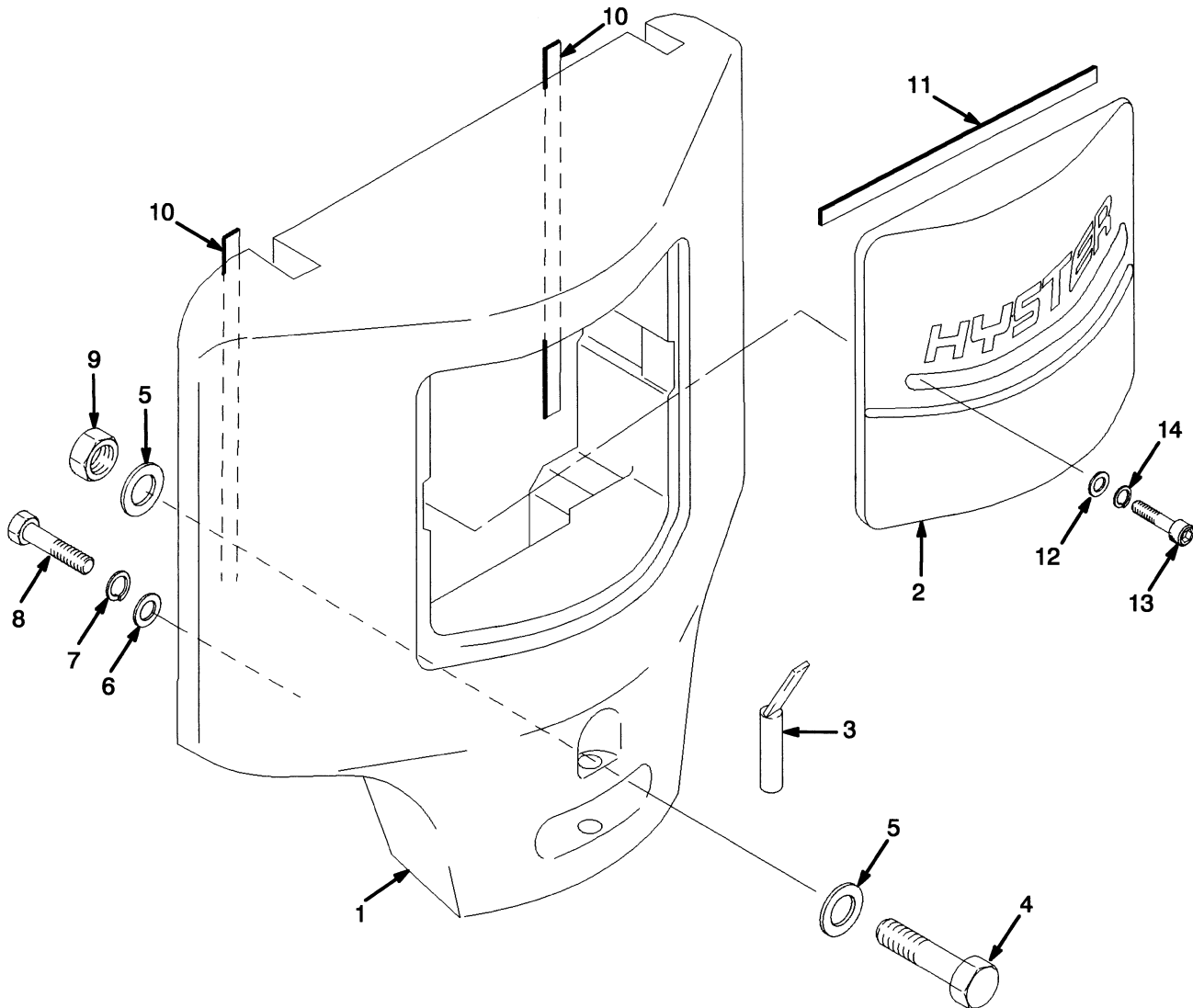
OVERHEAD GUARD

ITEM	PART NO.	DESCRIPTION	QTY
1	1551787	Overhead Guard (Standard Height).....	1
1	1551788	Overhead Guard (Raised Height).....	1
2	293649	Capscrew.....	6
3	320161	Washer.....	14
4	293647	Capscrew.....	4
5	1390182	Nut.....	4
6	1536813	Handle (Grab).....	1
7	329067	Screw.....	2
	a 1363917	Plug.....	4
	a 1363916	Plug.....	16

FOOTNOTES:

a Not Illustrated

COUNTERWEIGHT (Figure 1-6)

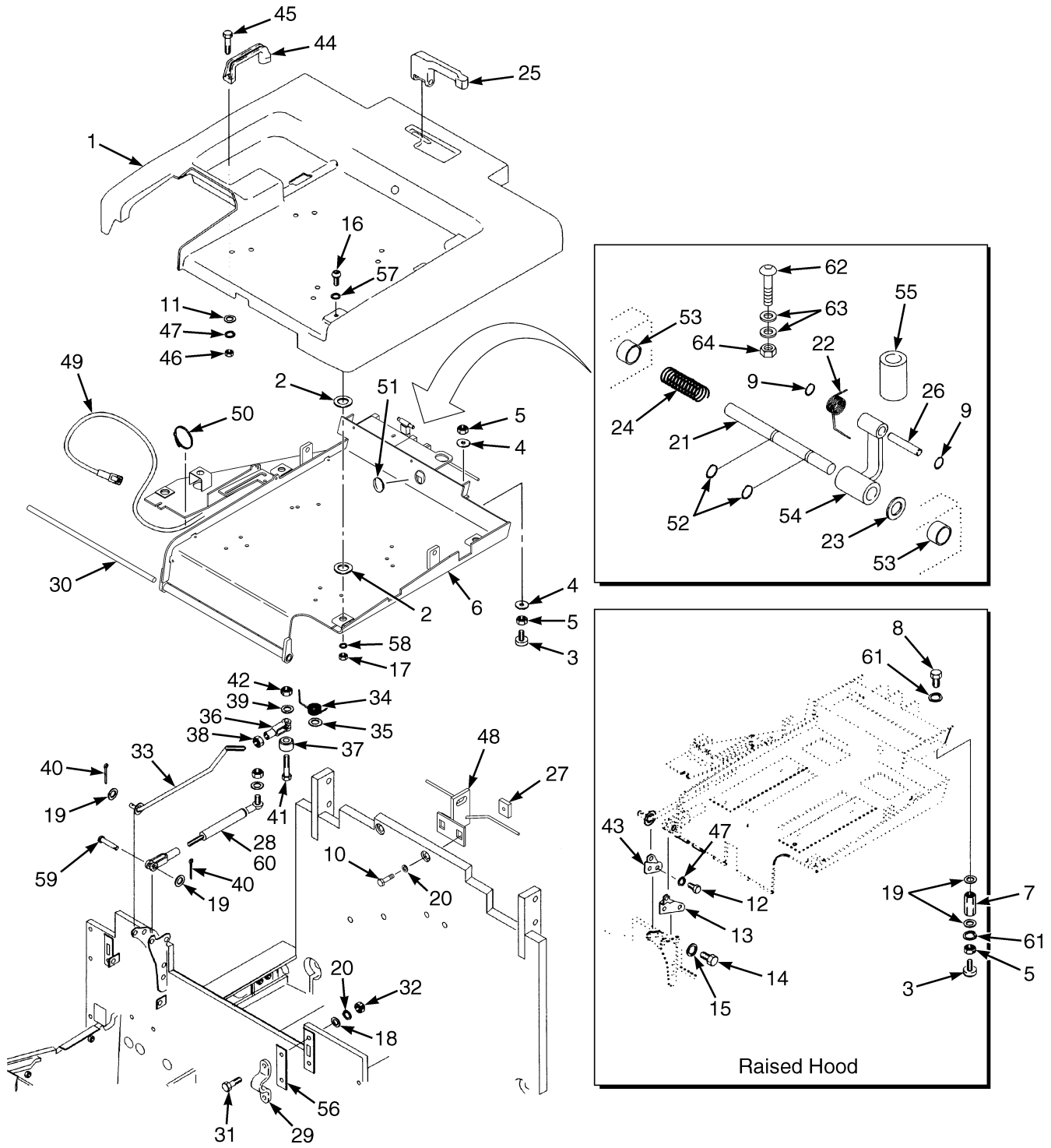


HP120746

COUNTERWEIGHT

ITEM	PART NO.	DESCRIPTION	QTY
1	1566680	Counterweight (1.50-1.75 XM).....	1
1	1566681	Counterweight (2.0 XM).....	1
2	1550699	Cover	1
3	326347	Tow Pin	1
4	292537	Capscrew.....	2
5	296423	Washer	4
6	221777	Washer	2
7	15162	Lockwasher.....	2
8	168054	Capscrew.....	2
9	300937	Locknut	2
10	326003	Tape.....	AR
11	1546460	Tape.....	AR
12	15134	Washer	2
13	46698	Capscrew.....	2
14	15156	Lockwasher.....	2

HOOD (Figure 1-7)



HP120757



Suggest:

For more complete manuals. Please go to the home page.

<https://www.ebooklibonline.com>

If the above button click is invalid. Please download this document first, and then click the above link to download the complete manual.

Thank you so much for reading

HOOD**KEY:****A: 878 mm Battery Compartment****B: 909 mm Battery Compartment**

ITEM	PART NO.	DESCRIPTION	QTY	
			A	B
1	1553810	Hood	1	..
1	1553821	Hood	1
2	1383680	Spacer	4	4
3	a 1347088	Stop Screw	2	2
3	b 367251	Stop Screw	2	2
4	15155	Lockwasher	4	4
5	15055	Nut	2	2
6	1562281	Frame	1	1
7	a 1364729	Spacer	2	2
8	a 16394	Capscrew	2	2
9	12892	Snap Ring	2	2
10	292515	Capscrew	2	2
11	2034906	Washer	2	2
12	a 293601	Capscrew	2	2
13	a 1377378	Bracket	1	1
14	a 293613	Capscrew	2	2
15	a 292681	Lockwasher	2	2
16	296173	Capscrew	5	5
17	316826	Nut	5	5
18	320159	Washer	2	2
19	18515	Washer	6	6
20	292682	Lockwasher	4	4
21	1546307	Shaft	1	1
22	1377670	Spring	1	1
23	15125	Washer	1	1
24	1364538	Spring	1	1
25	1544196	Handle	1	1
26	1378975	Pin	1	1
27	1364537	Plate	2	2
28	1385758	Gas Spring	1	1
29	355374	Clamp	1	1
30	1468405	Bar	1	1
31	287854	Capscrew	2	2
31	136985	Capscrew	2	2
32	136692	Nut	2	2
33	1385761	Rod	1	1
34	1340866	Spring	1	1
35	1340867	Spacer	1	1
36	1364096	Clevis	1	1
37	1364243	Knob	1	1
38	15025	Nut	1	1
39	296419	Washer	2	2
40	15212	Cotter Pin	2	2
41	293799	Capscrew	1	1
42	313805	Nut	1	1
43	a 1340743	Bracket	1	1

HOOD

ITEM	PART NO.	DESCRIPTION	QTY	
			A	B
44	362030	Handle	1	1
45	287816	Capscrew	2	2
46	136687	Nut	2	2
47	292680	Lockwasher.....	4	4
48	b 1556488	Latch.....	1	1
48	a 1556669	Latch.....	1	1
49	c 1340531	Wire Harness.....	1	1
50	c 114312	Strap Clamp.....	5	5
51	c 1359587	Grommet.....	1	1
52	353569	Retaining Ring	2	2
53	368618	Bushing.....	2	2
54	1378900	Link	1	1
55	1378902	Collar	1	1
56	325616	Spacer	AR	AR
57	320160	Washer	5	5
58	15177	Washer	5	5
59	139	Rod End Pin	1	1
60	251099	Adhesive	2	2
61	15155	Lockwasher.....	4	4
62	296161	Capscrew	1	1
63	320156	Washer	2	2
64	313805	Nut	1	1

FOOTNOTES:

- a** With Raised Hood
- b** Without Raised Hood
- c** Without Seat Brake

<https://www.ebooklibonline.com>

Hello dear friend!

Thank you very much for reading.

Enter the link into your browser.

The full manual is available for immediate download.

<https://www.ebooklibonline.com>